



US00D885773S

(12) **United States Design Patent**
Yoon et al.

(10) **Patent No.:** **US D885,773 S**
(45) **Date of Patent:** **** Jun. 2, 2020**

(54) **CLOTHES HANGER**

FOREIGN PATENT DOCUMENTS

(71) Applicant: **Samsung Electronics Co., Ltd.**,
Suwon-si (KR)

CN 201530570356 6/2016
CN 201630064905 8/2016

(Continued)

(72) Inventors: **Sanghun Yoon**, Seoul (KR); **Jinsook Park**, Uiwang-si (KR); **Sodam Park**, Seoul (KR); **Hyunwoo Yoon**, Seongnam-si (KR); **Kangkyung Lee**, Seoul (KR)

Primary Examiner — Lauren R Calve
(74) *Attorney, Agent, or Firm* — NSIP Law

(57) **CLAIM**

We claim the ornamental design for a clothes hanger, as shown and described.

DESCRIPTION

(73) Assignee: **Samsung Electronics Co., Ltd.**,
Suwon-si (KR)

(**) Term: **15 Years**

(21) Appl. No.: **29/676,311**

(22) Filed: **Jan. 10, 2019**

(30) **Foreign Application Priority Data**

Aug. 17, 2018 (KR) 30-2018-0038328

(51) **LOC (12) Cl.** **06-08**

(52) **U.S. Cl.**
USPC **D6/326**

(58) **Field of Classification Search**
USPC D6/315–328
CPC A47G 25/28; A47G 25/487; A47G 25/485;
A47G 25/473; A47G 25/66; A47G 25/36;
A47G 25/48; A47G 25/50; A47G 25/34;
(Continued)

(56) **References Cited**

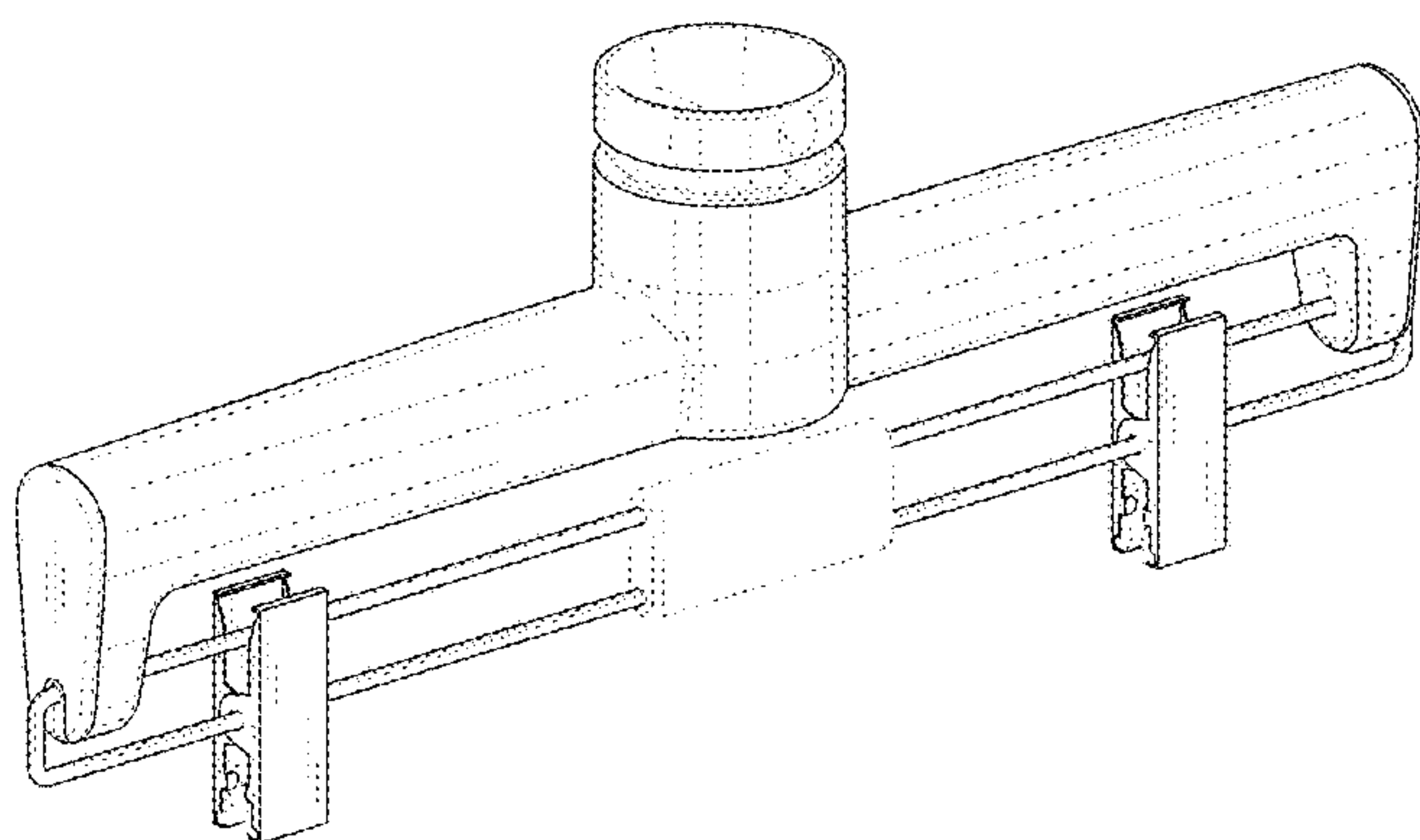
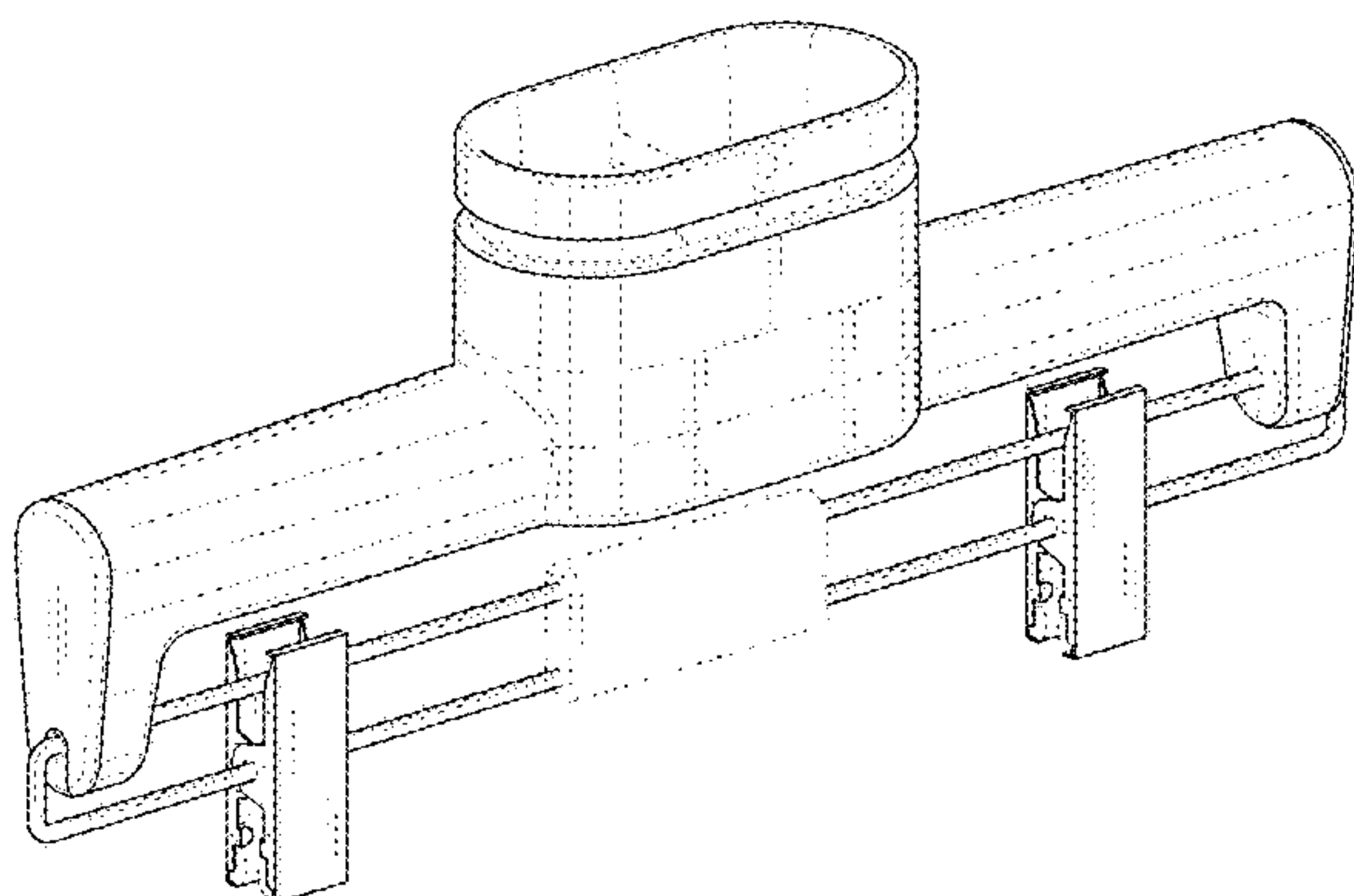
U.S. PATENT DOCUMENTS

2,114,803 A * 4/1938 Kurucz A47G 25/28
223/88
D127,688 S * 6/1941 Sarkisian D6/318
(Continued)

FIG. 1 is a front perspective view of a first embodiment of a clothes hanger showing our new design;
FIG. 2 is a front view thereof;
FIG. 3 is a rear view thereof;
FIG. 4 is a left-side view thereof;
FIG. 5 is a right-side view thereof;
FIG. 6 is a top view thereof;
FIG. 7 is a bottom view thereof;
FIG. 8 is a bottom perspective view thereof;
FIG. 9 is a cross-sectional view taken along line 9-9 of FIG. 2;
FIG. 10 is a cross-sectional view taken along line 10-10 of FIG. 4;
FIG. 11 is a front perspective view of a second embodiment of a clothes hanger showing our new design;
FIG. 12 is a front view thereof;
FIG. 13 is a rear view thereof;
FIG. 14 is a left-side view thereof;
FIG. 15 is a right-side view thereof;
FIG. 16 is a top view thereof;
FIG. 17 is a bottom view thereof;
FIG. 18 is a bottom perspective view thereof;
FIG. 19 is a cross-sectional view taken along line 19-19 of FIG. 12; and,
FIG. 20 is a cross-sectional view taken along line 20-20 of FIG. 14.

The broken lines in the figures depict portions of the clothes hanger which form no part of the claimed design.

1 Claim, 14 Drawing Sheets



(58) **Field of Classification Search**

CPC A47G 25/445; A47G 2025/1492; A47F
5/0006; A47F 7/19

See application file for complete search history.

(56) **References Cited**

U.S. PATENT DOCUMENTS

2,454,944 A * 11/1948 Reynolds A47G 25/485
223/85
2,630,254 A * 3/1953 Rice A47G 25/26
223/98
2,652,958 A * 9/1953 Alvord A47G 25/26
223/94
D239,041 S * 3/1976 Rubinstein D99/28
4,592,497 A * 6/1986 Georges F26B 9/003
223/69
D334,846 S * 4/1993 Blanchard D6/317
5,718,358 A * 2/1998 Long A47G 25/442
223/85
D437,494 S * 2/2001 Gridale D6/326
2006/0226177 A1 * 10/2006 McJunkin D06F 59/02
223/85
2020/0080254 A1 * 3/2020 Chang D06F 39/088

FOREIGN PATENT DOCUMENTS

CN 201730057673 8/2017
CN 201730317411 12/2017
KR 30-2017-0055988 6/2018

* cited by examiner

FIG. 1

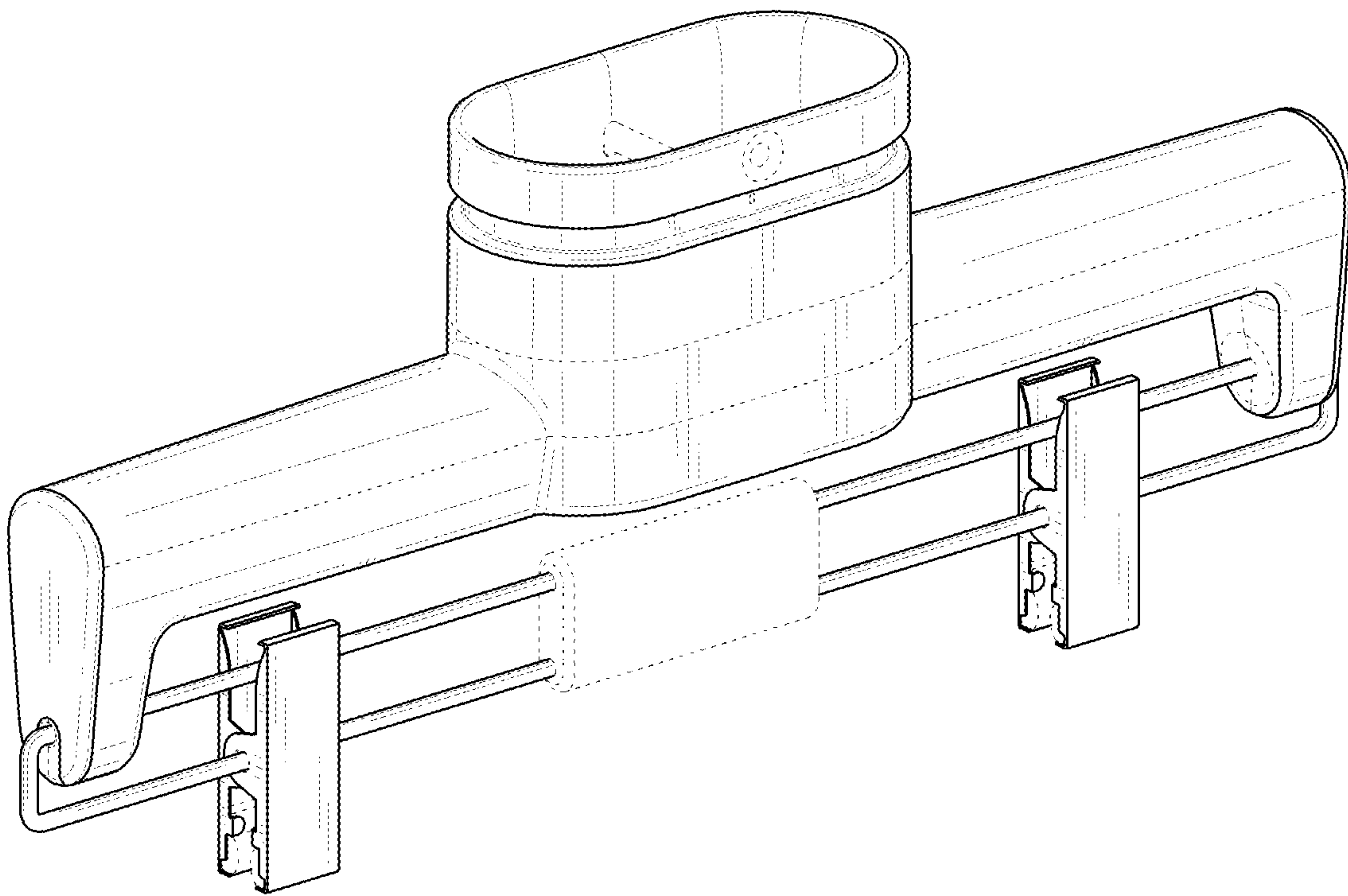


FIG. 2

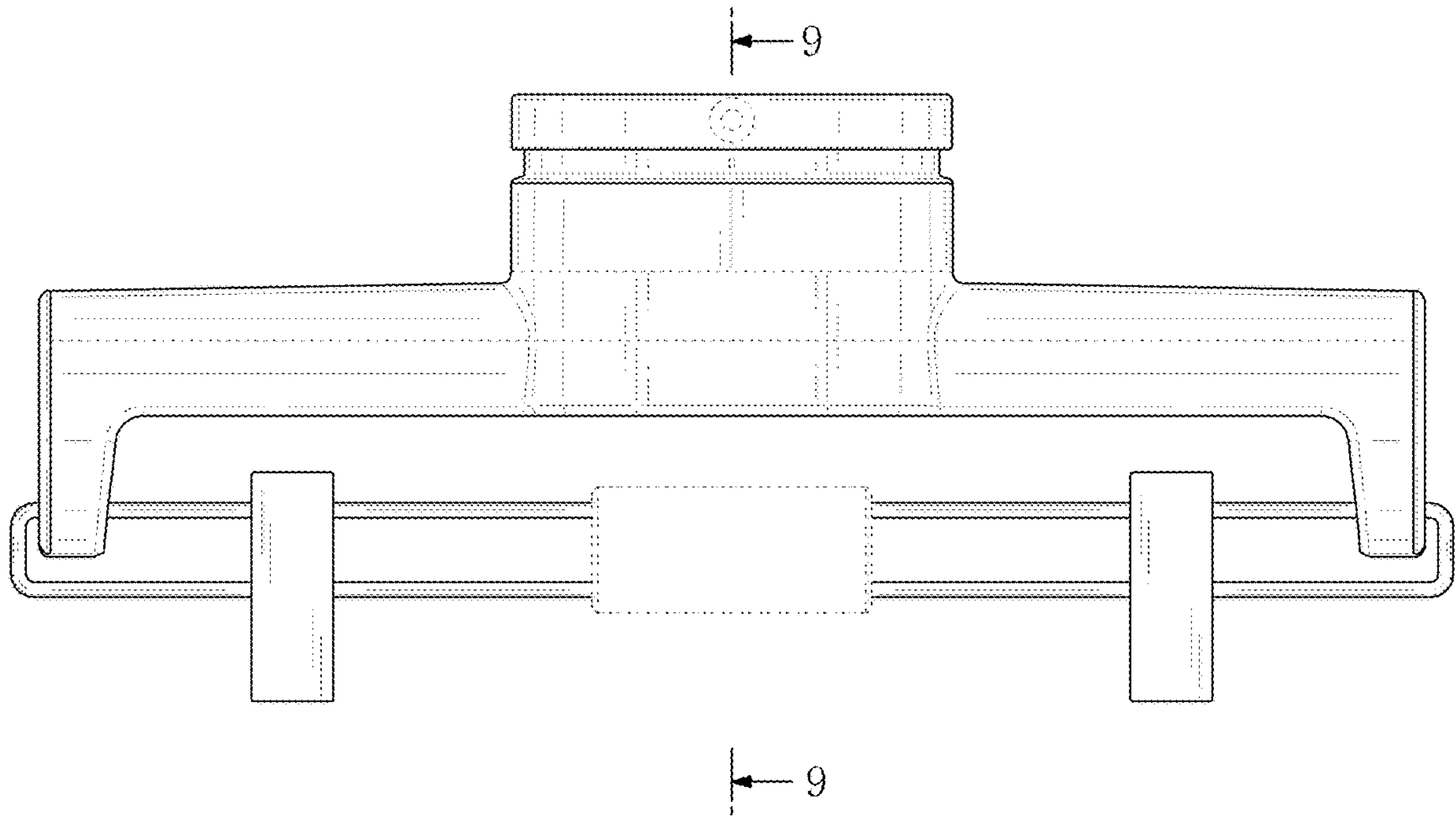


FIG. 3

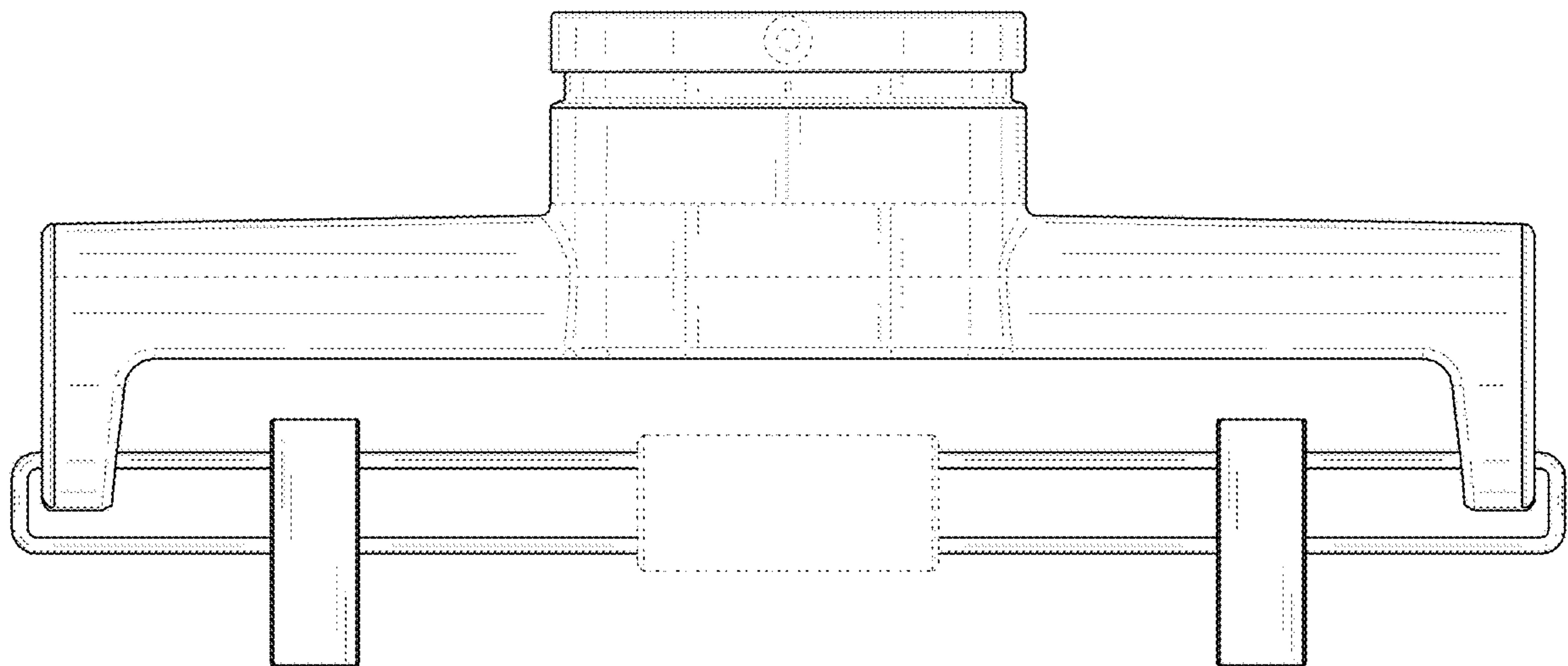


FIG. 4

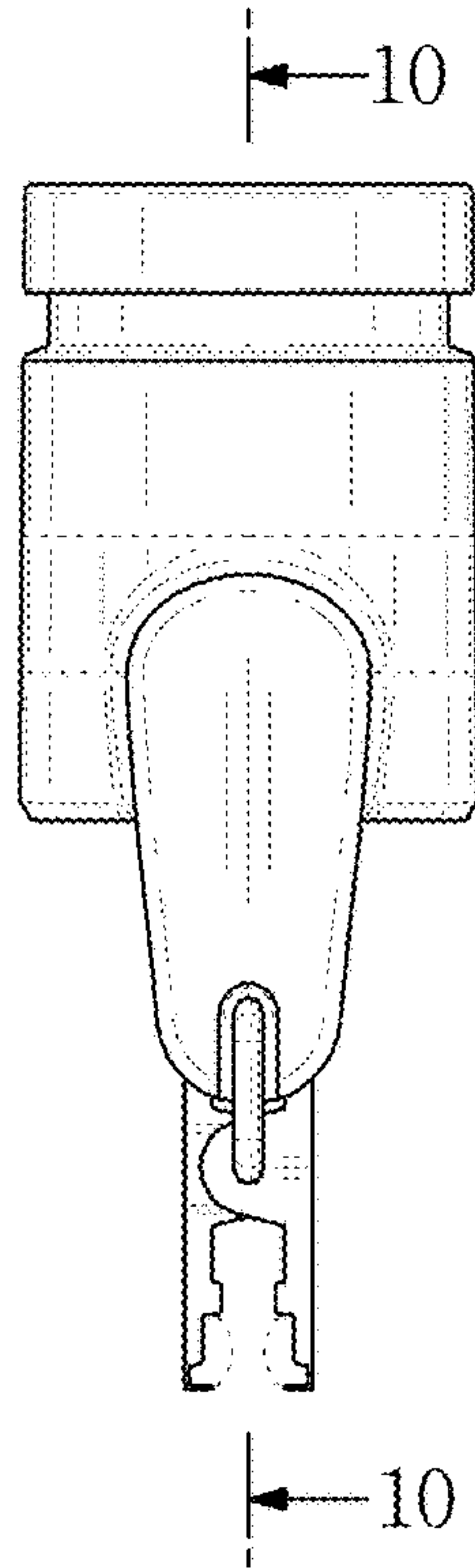


FIG. 5

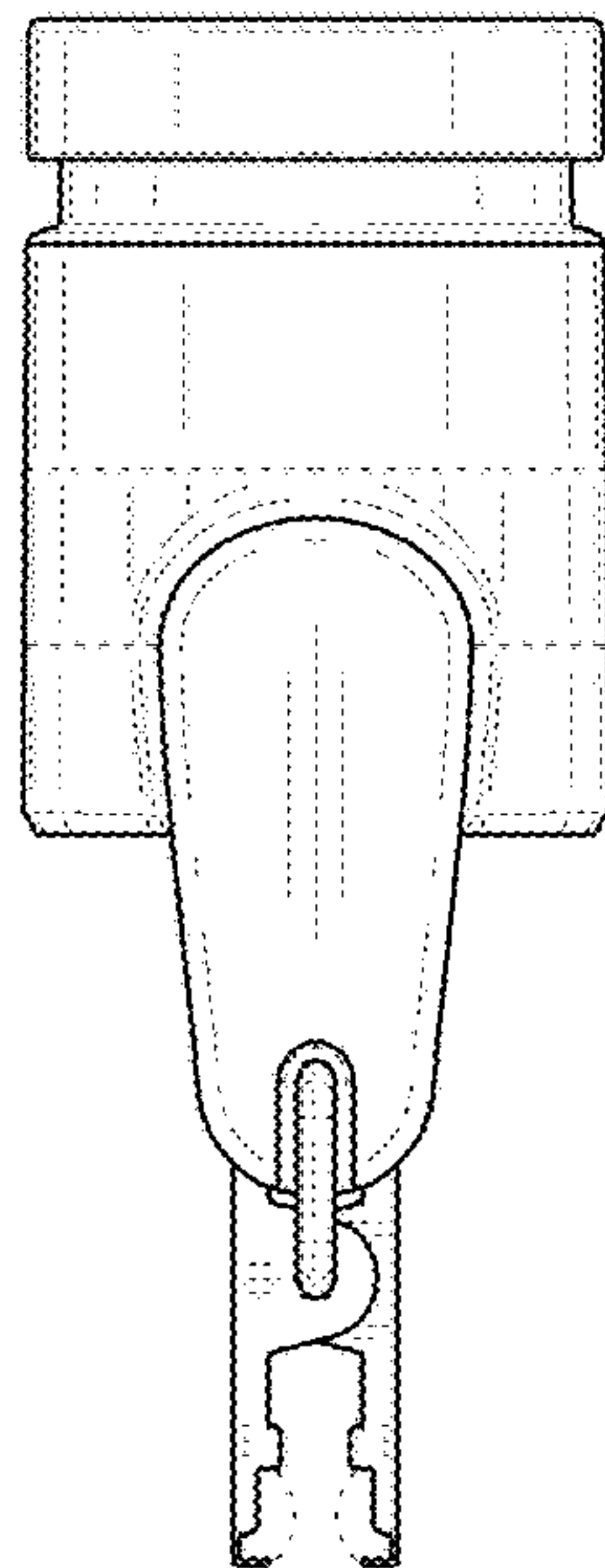


FIG. 6

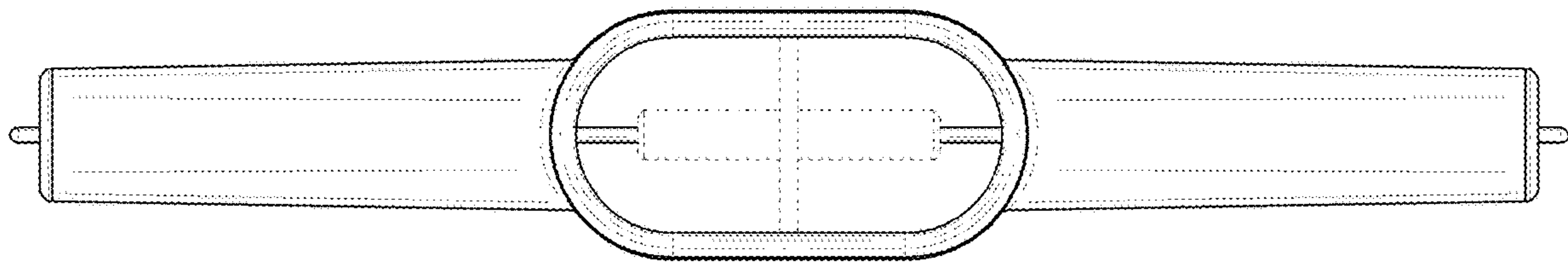


FIG. 7

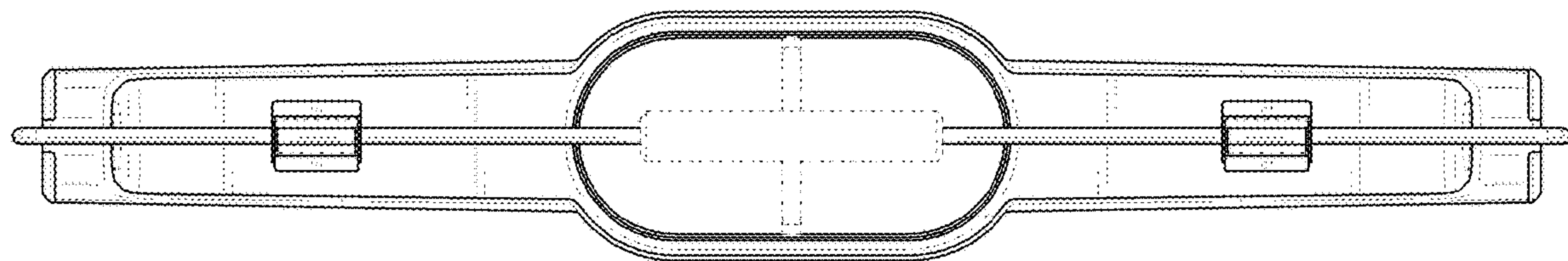


FIG. 8

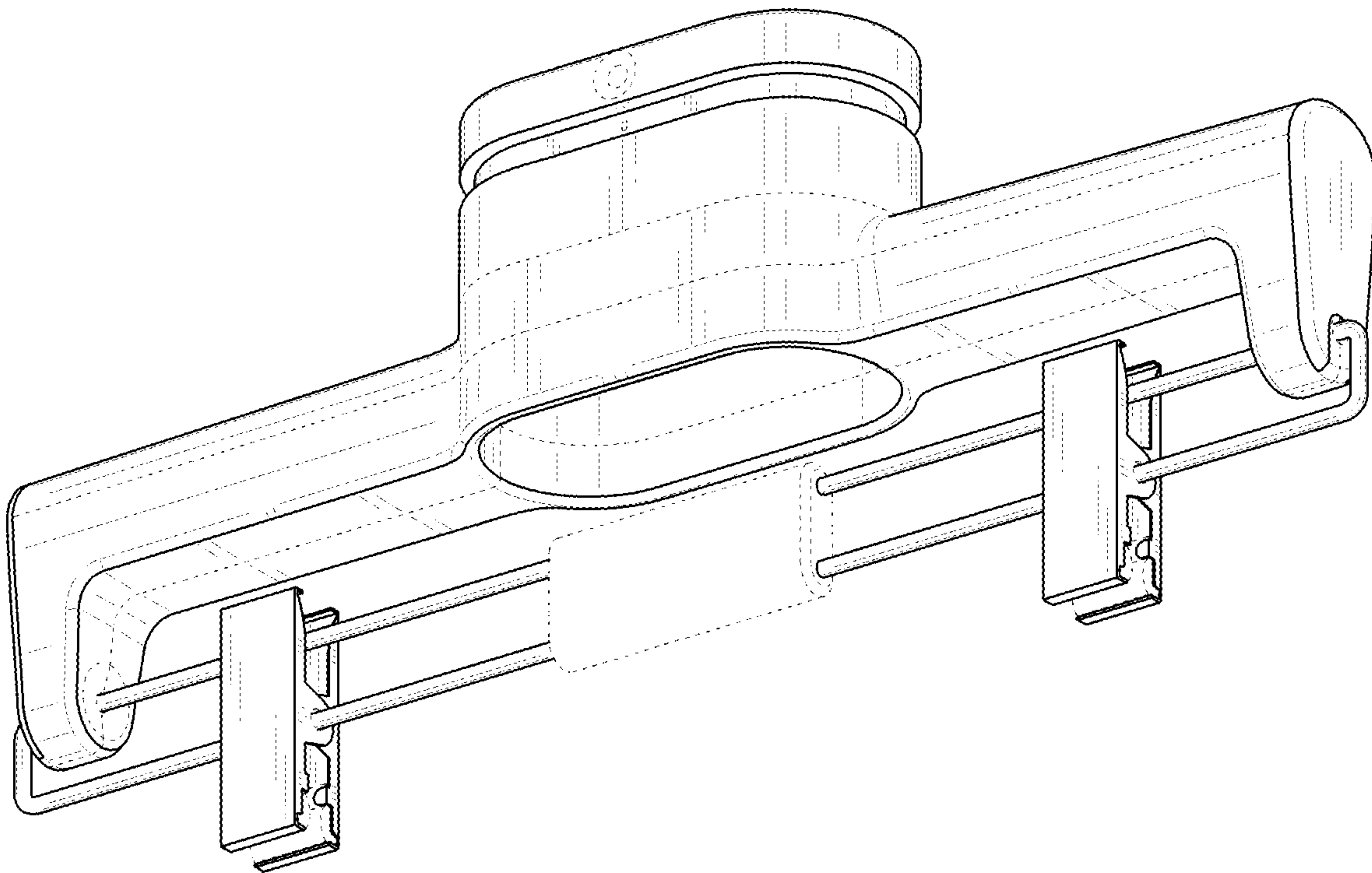


FIG. 9

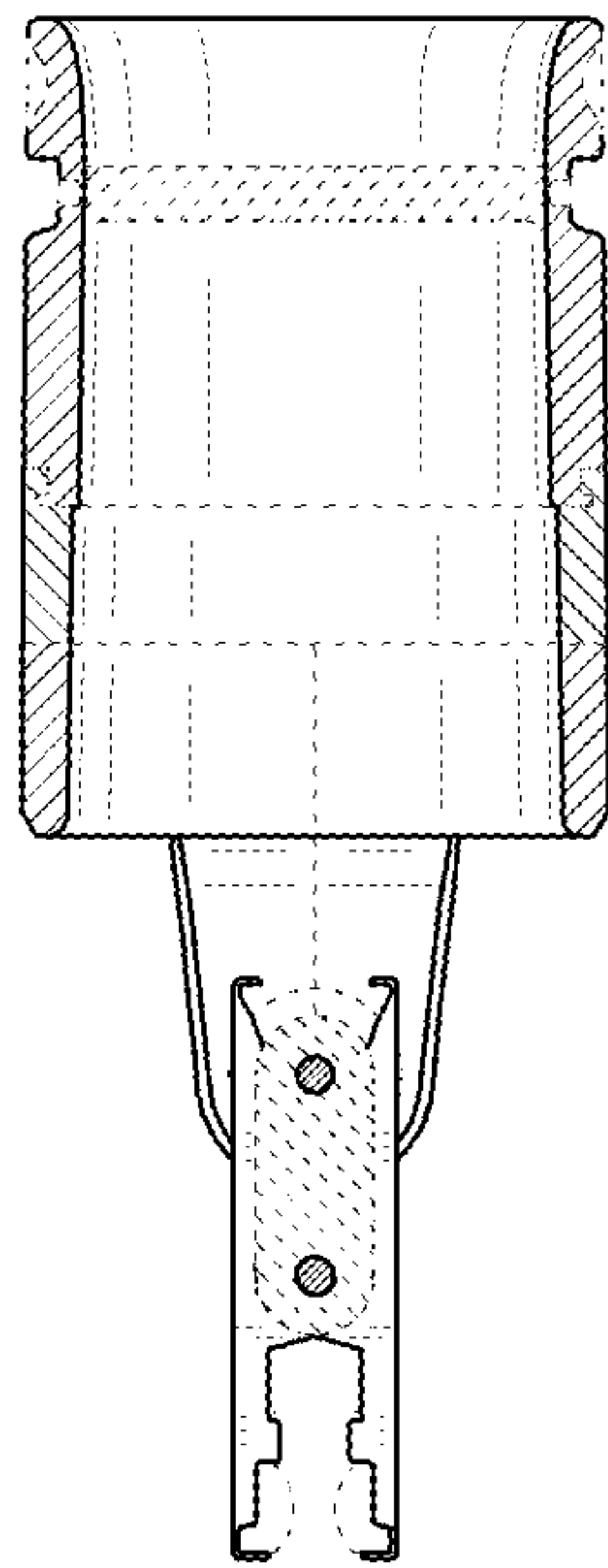


FIG. 10

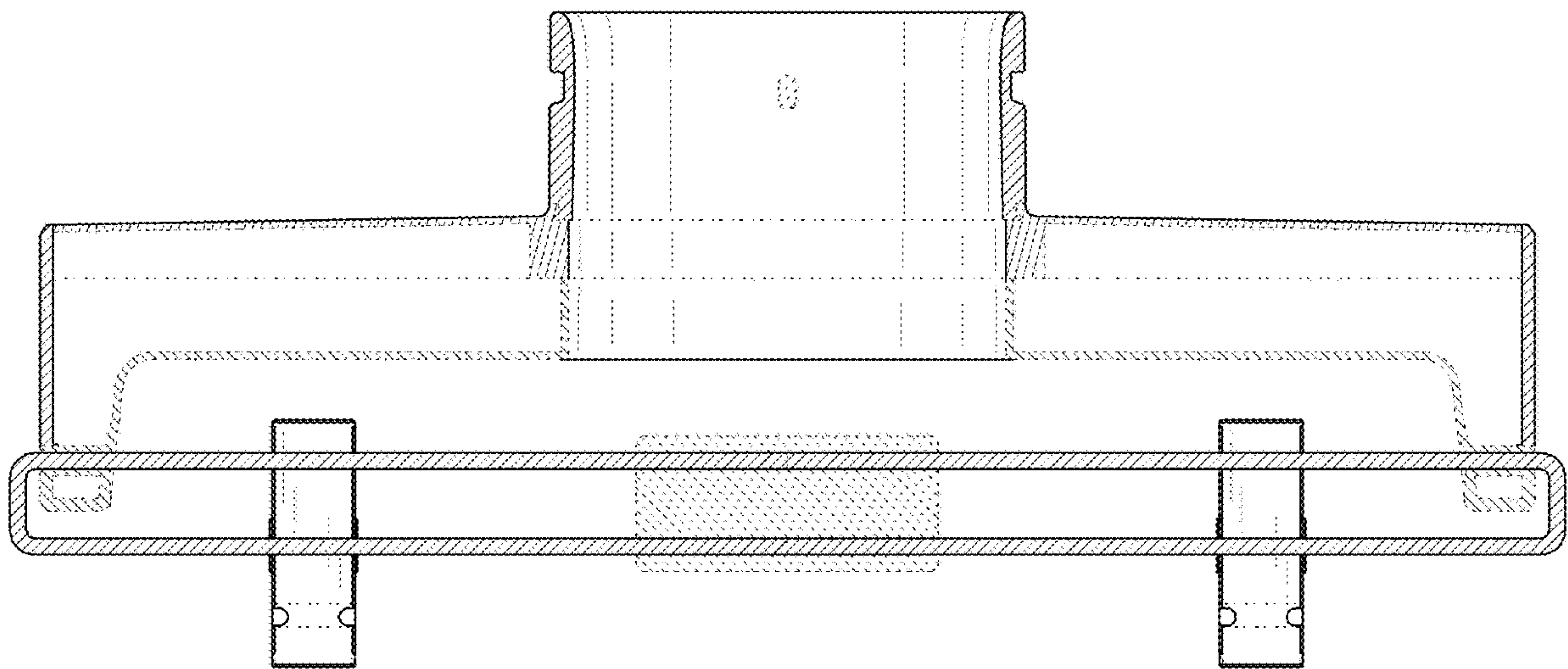


FIG. 11

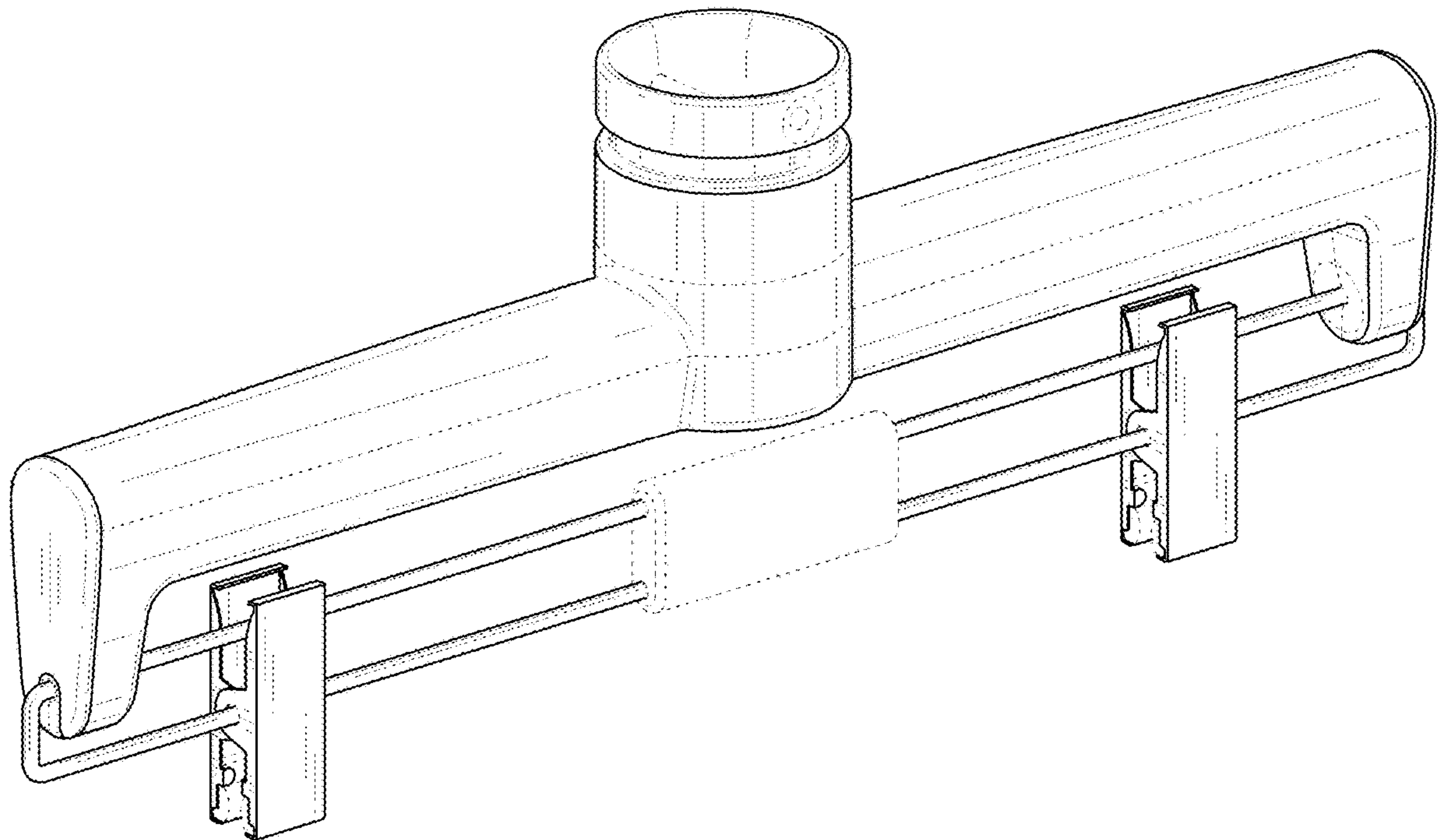


FIG. 12

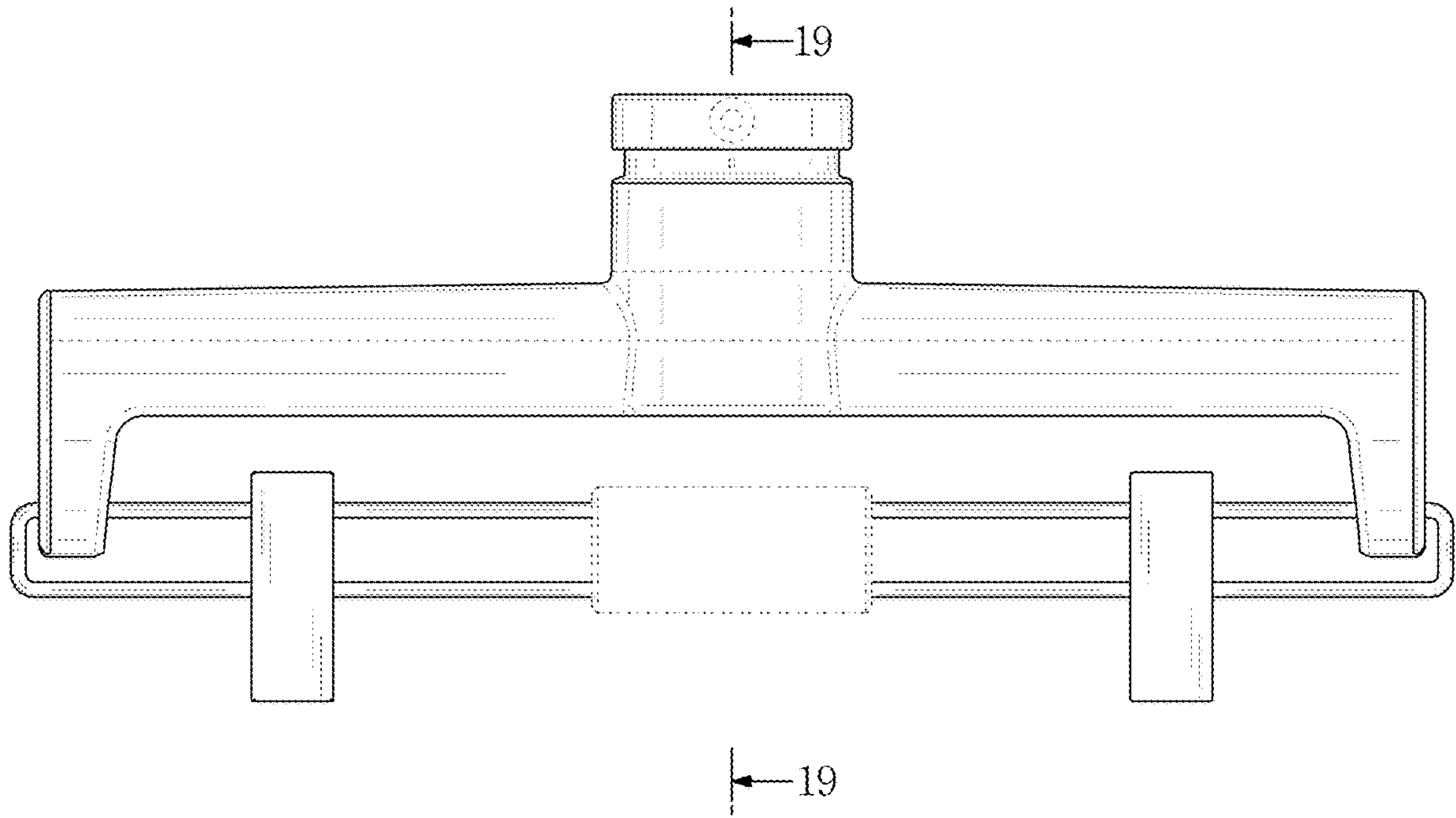


FIG. 13

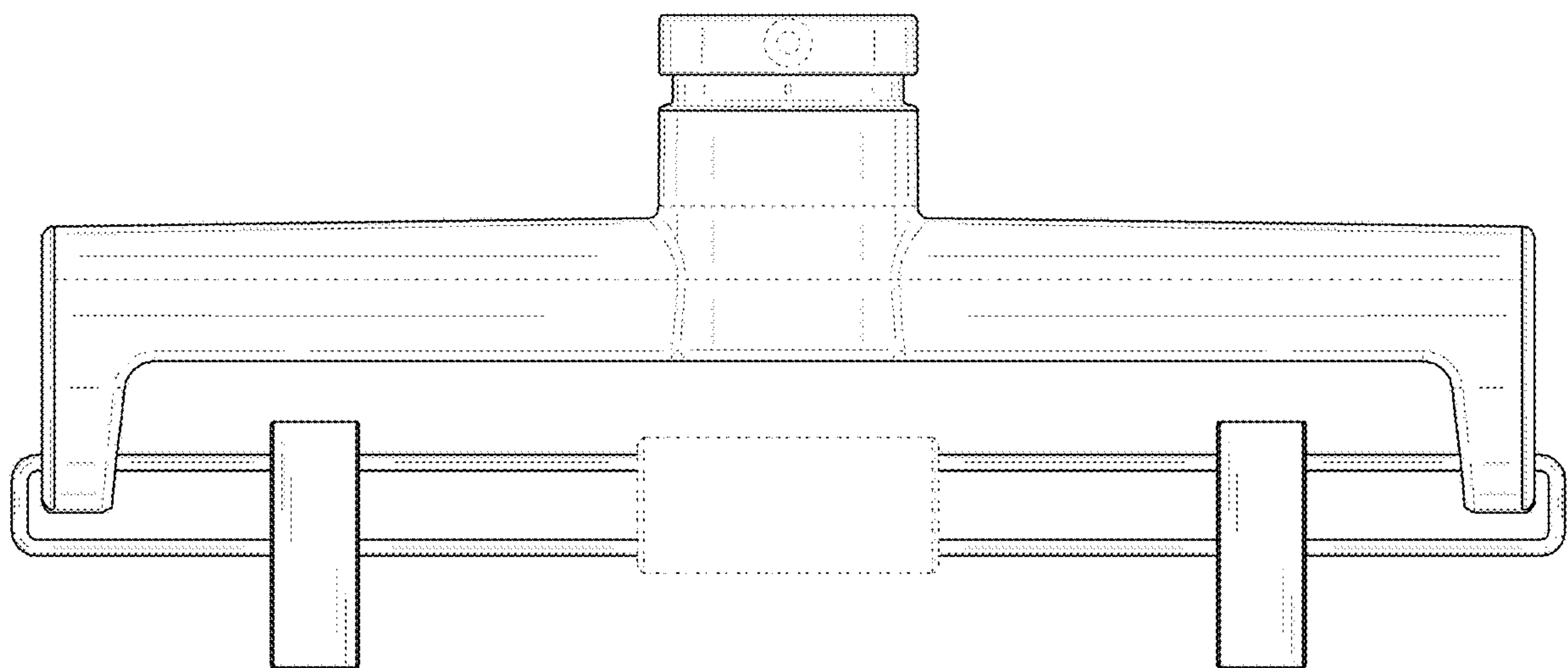


FIG. 14

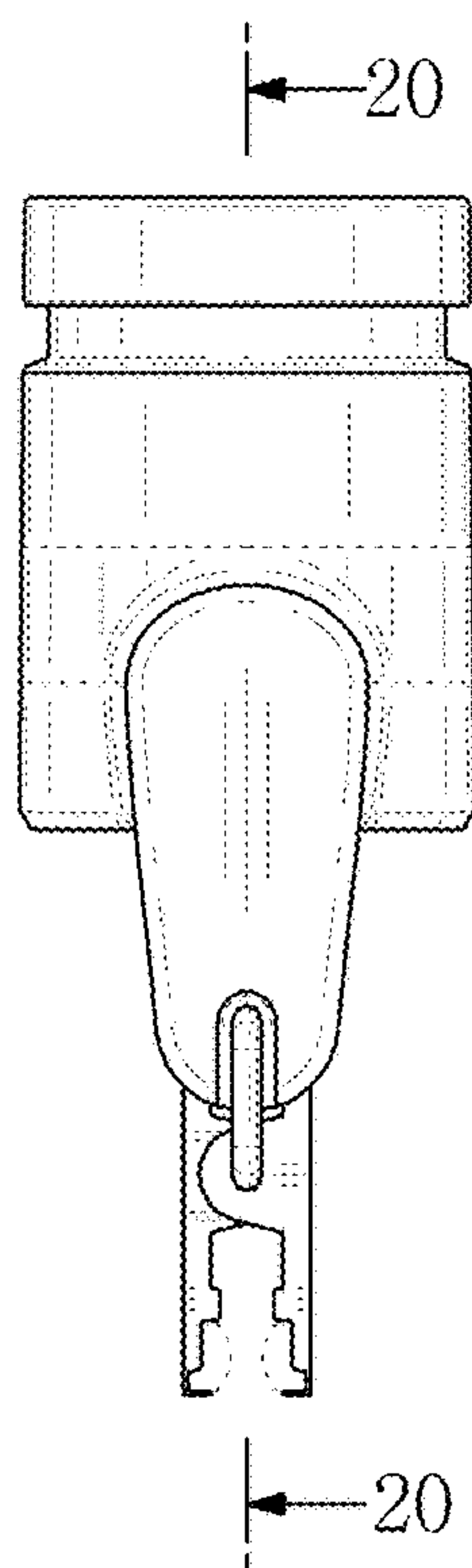


FIG. 15

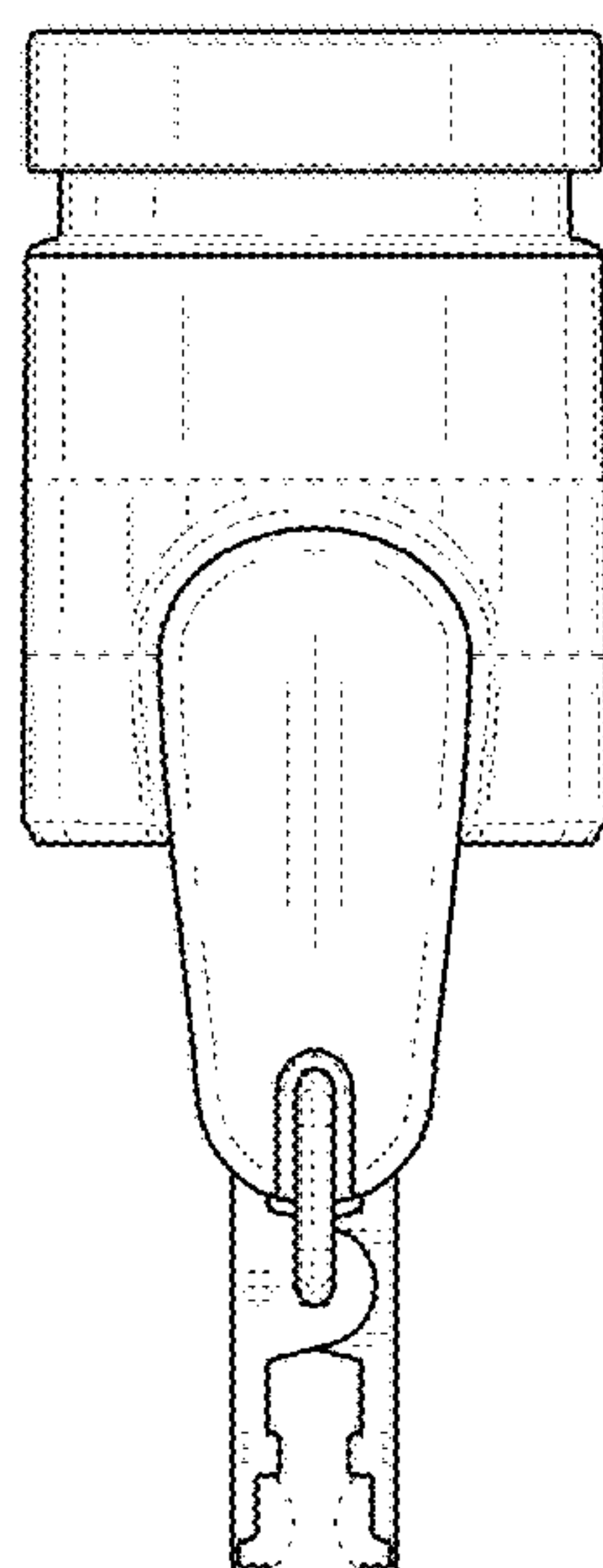


FIG. 16

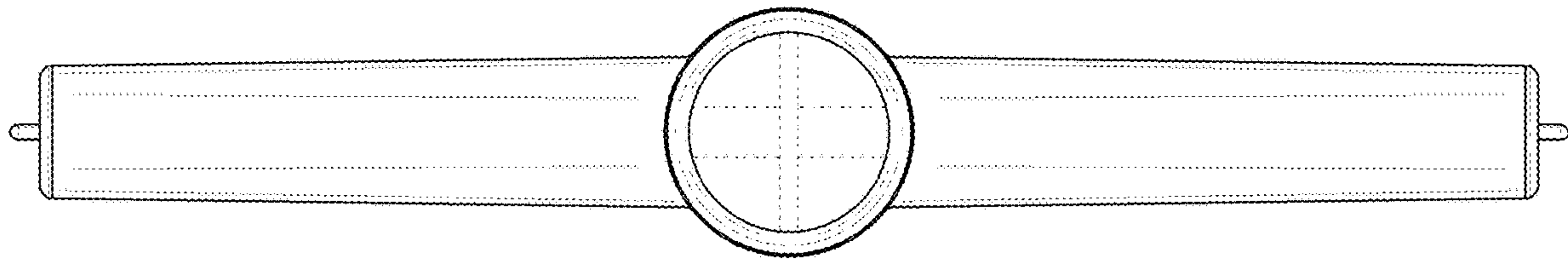


FIG. 17

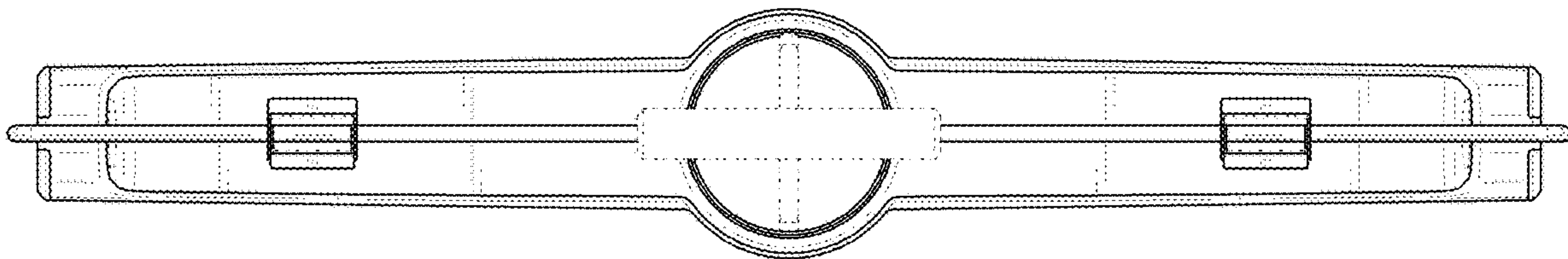


FIG. 18

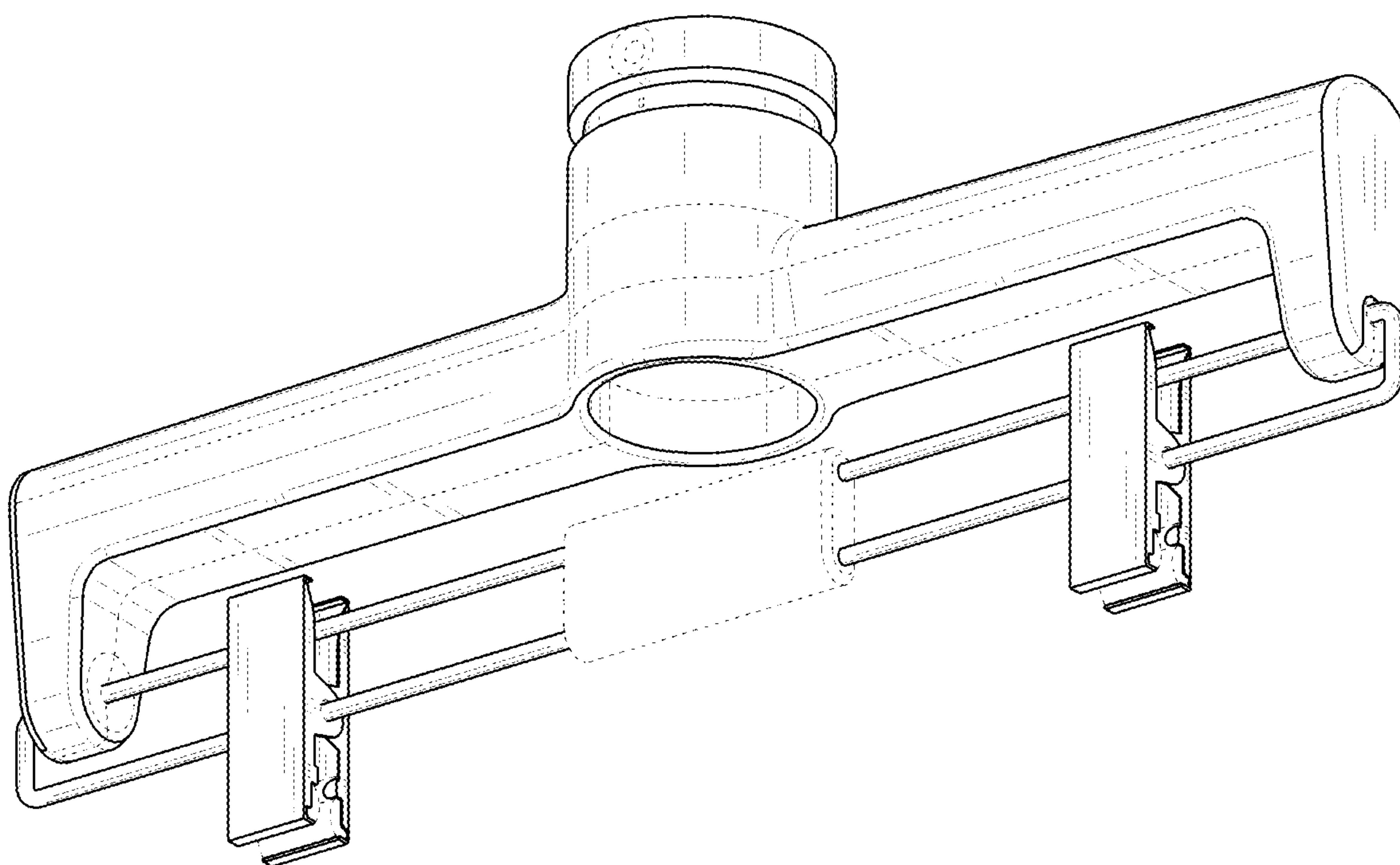


FIG. 19

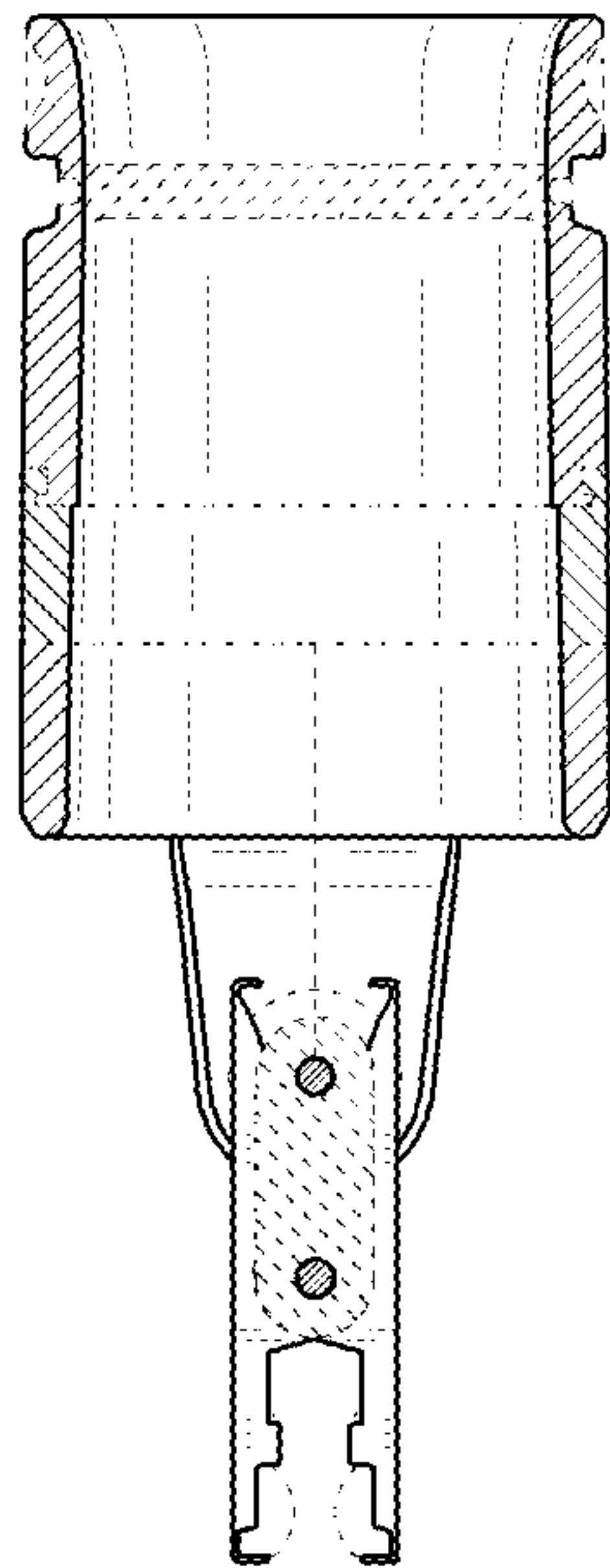


FIG. 20

