



US00D885765S

(12) **United States Design Patent**
Yuan

(10) **Patent No.:** **US D885,765 S**
(45) **Date of Patent:** **** Jun. 2, 2020**

(54) **STRAIGHTENING BRUSH**

(71) Applicant: **Xiao Yuan**, Zhuzhou (CN)

(72) Inventor: **Xiao Yuan**, Zhuzhou (CN)

(**) Term: **15 Years**

(21) Appl. No.: **29/718,968**

(22) Filed: **Dec. 30, 2019**

(51) **LOC (12) Cl.** **28-03**

(52) **U.S. Cl.**
USPC **D4/100**; D28/35

(58) **Field of Classification Search**
USPC D4/100, 117, 120, 121, 130, 136, 138,
D4/199; 132/120; D28/24, 25, 35
CPC A45D 20/48; A45D 20/50; A45D 20/52;
A45D 24/16; A45D 24/007; A45D 2/001;
A45D 2/002; A45D 7/02; A46B 15/003;
A46B 15/0059; A46B 9/023
See application file for complete search history.

(56) **References Cited**

U.S. PATENT DOCUMENTS

D99,747 S *	5/1936	Greth	D24/135
D149,953 S *	6/1948	Kruck	D28/7
D276,382 S *	11/1984	Dalrymple	D4/119
D332,153 S *	12/1992	Butler	D28/7
D369,882 S *	5/1996	McCarthy	D28/7
D404,522 S *	1/1999	Kip	D28/18
D416,645 S *	11/1999	Spudeno	D28/7
7,650,893 B2 *	1/2010	De Laforcade	A45D 19/02 132/218
8,783,989 B2 *	7/2014	Weigel	A45D 40/24 132/218
D804,188 S *	12/2017	Du	D4/100
D808,658 S *	1/2018	Sophie	D4/100

D815,774 S	4/2018	Mercier	
D819,336 S *	6/2018	Zhou	D4/100
D821,648 S	6/2018	Qiu	
D825,929 S *	8/2018	Julemont	D4/100
2006/0076030 A1 *	4/2006	De Laforcade	A45D 19/02 132/142
2008/0017217 A1 *	1/2008	Leung	A45D 20/525 132/313
2018/0055188 A1 *	3/2018	Potts	A45D 2/002

FOREIGN PATENT DOCUMENTS

CN	303636728	*	4/2016
CN	303808908	*	8/2016
CN	304049483	*	2/2017
CN	304067462	*	3/2017
CN	305137258	*	4/2019
CN	305461920	*	11/2019
CN	305546961	*	1/2020
CN	305614068	*	2/2020

* cited by examiner

Primary Examiner — Karen E Eldridge Powers
(74) *Attorney, Agent, or Firm* — Erson IP (Nelson IP)

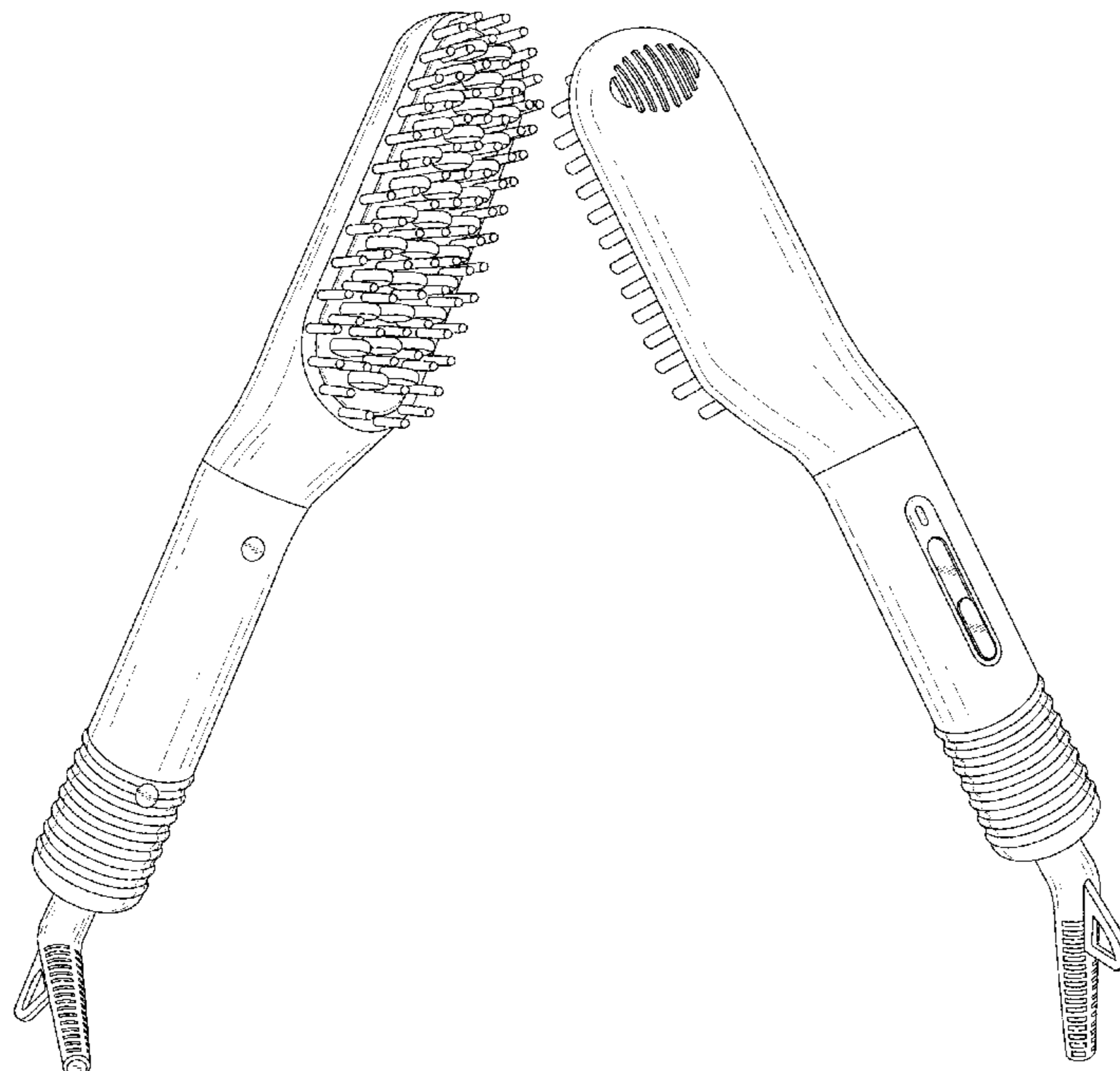
(57) **CLAIM**

The ornamental design for a straightening brush, as shown and described.

DESCRIPTION

FIG. 1 is a perspective view of a straightening brush showing my new design;
FIG. 2 is another perspective view thereof;
FIG. 3 is a front elevation view thereof;
FIG. 4 is a rear elevation view thereof;
FIG. 5 is a left side elevation view thereof;
FIG. 6 is a right side elevation view thereof;
FIG. 7 is a top plan view thereof; and,
FIG. 8 is a bottom plan view thereof.

1 Claim, 8 Drawing Sheets



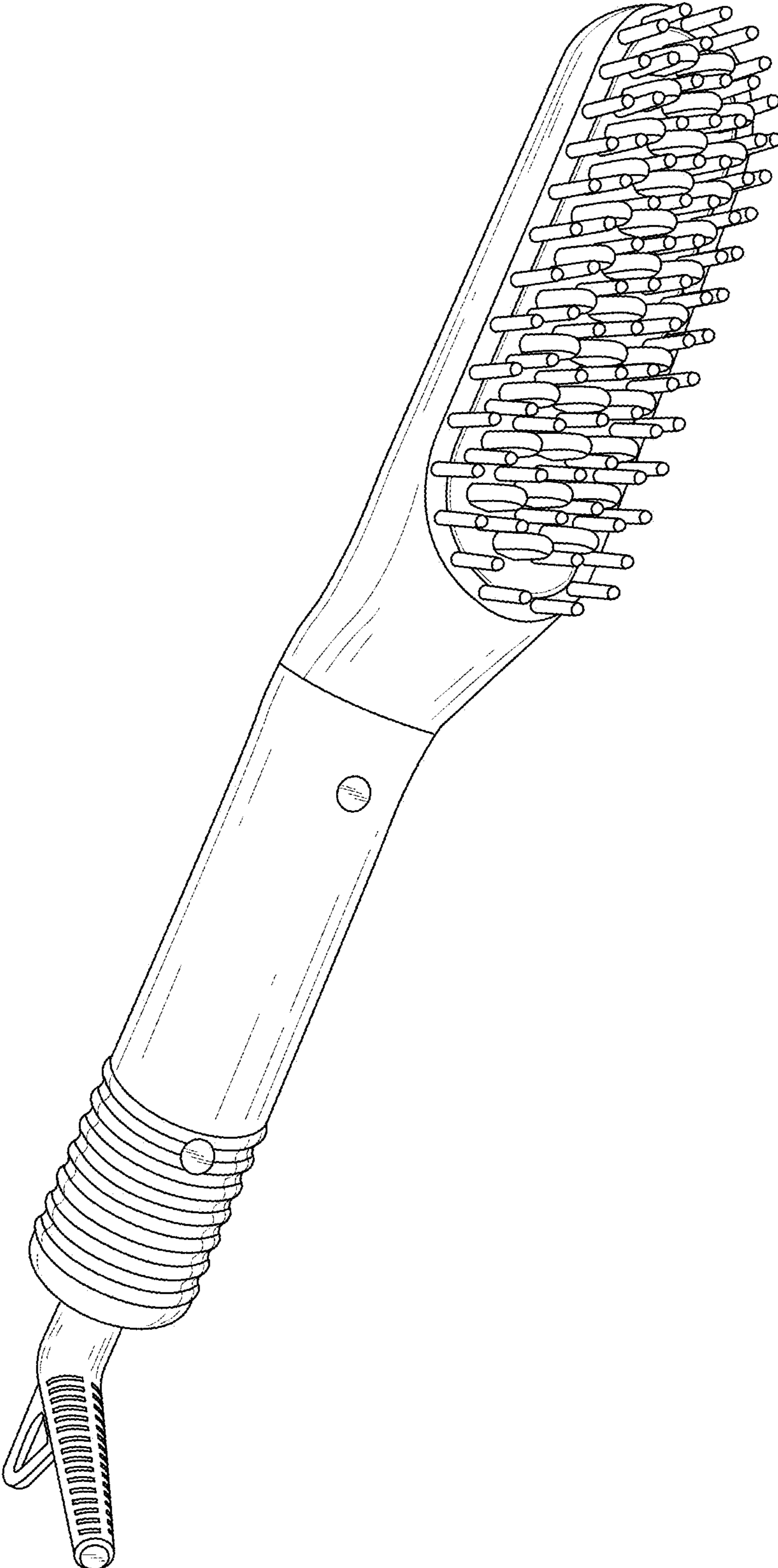


FIG. 1

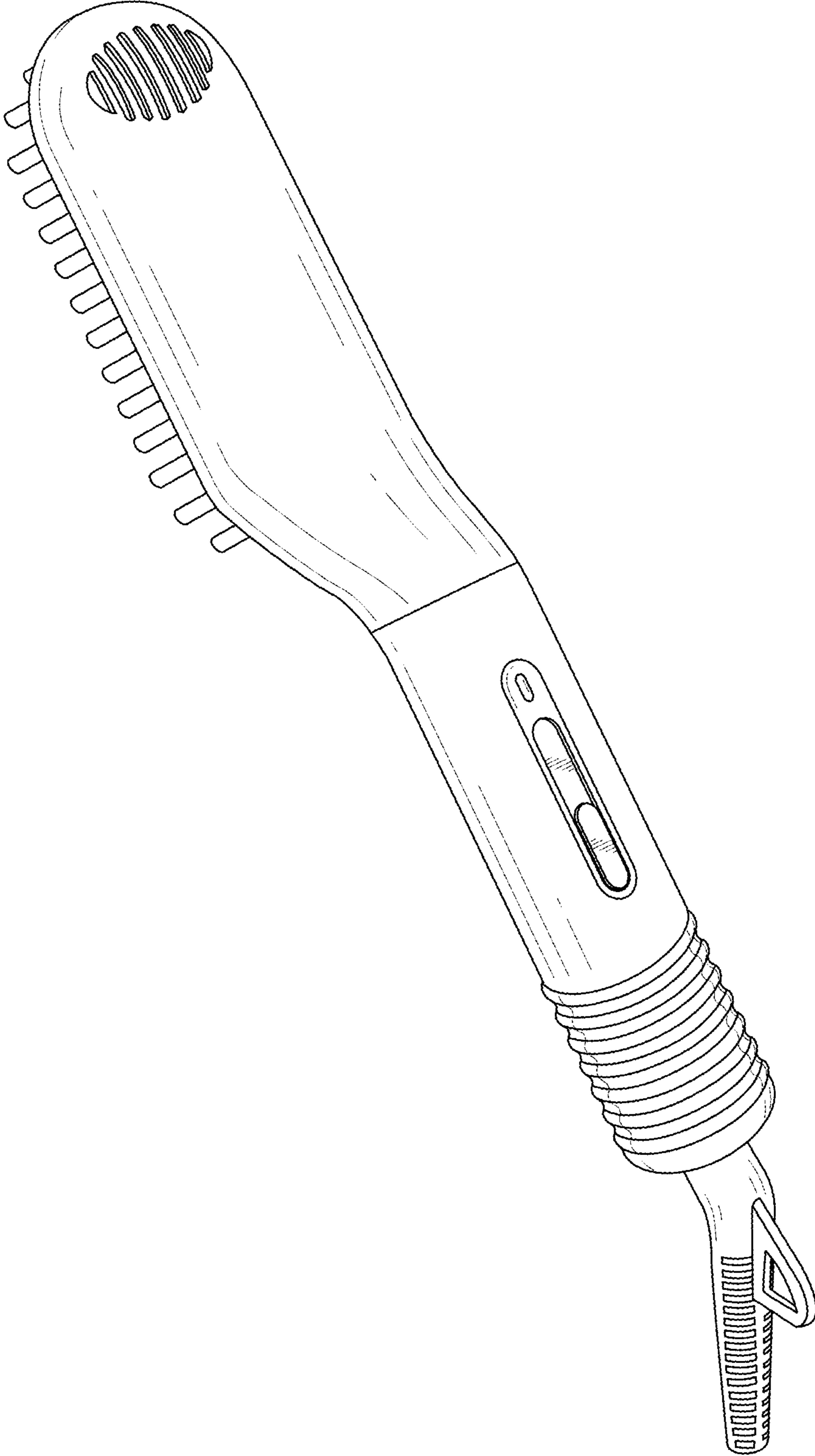


FIG. 2

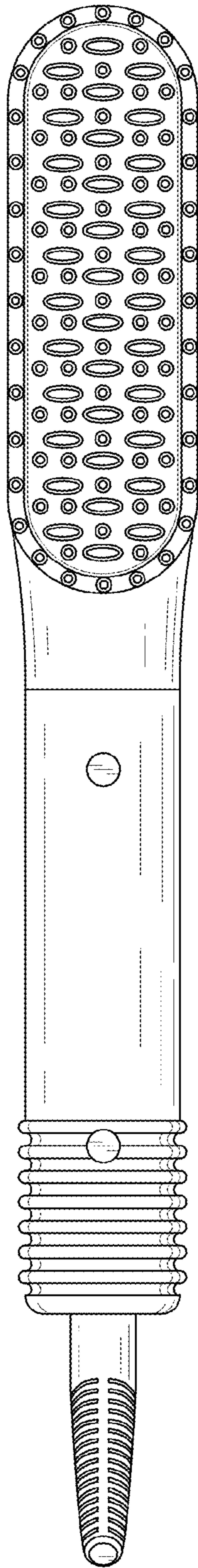


FIG. 3

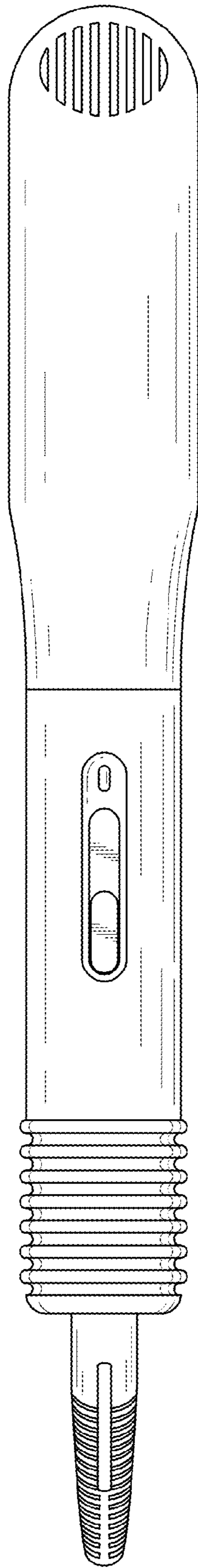


FIG. 4

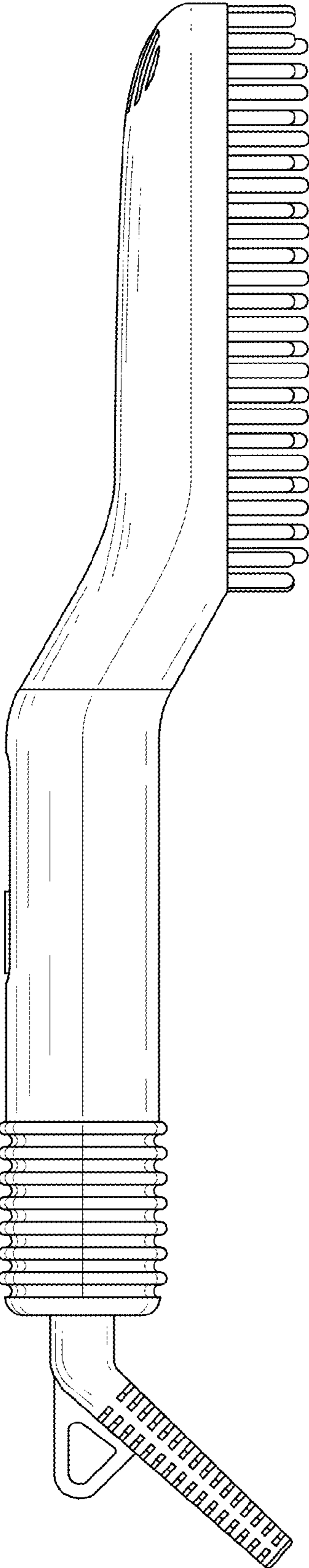


FIG. 5

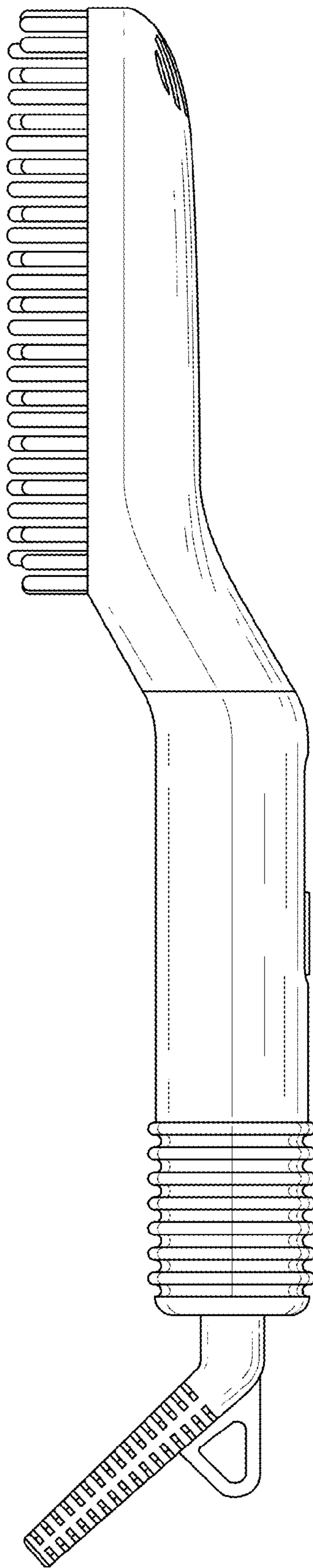


FIG. 6

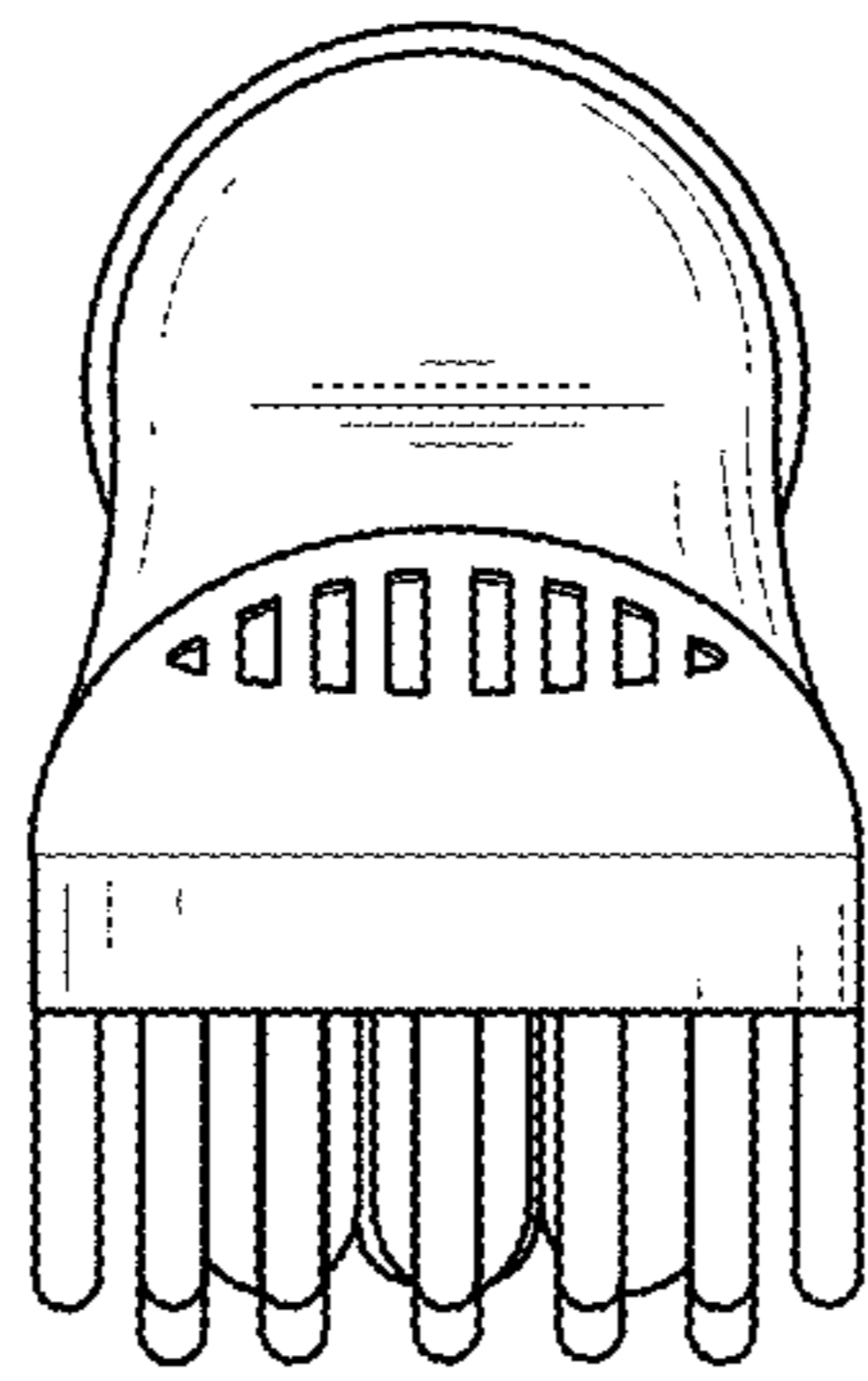


FIG. 7

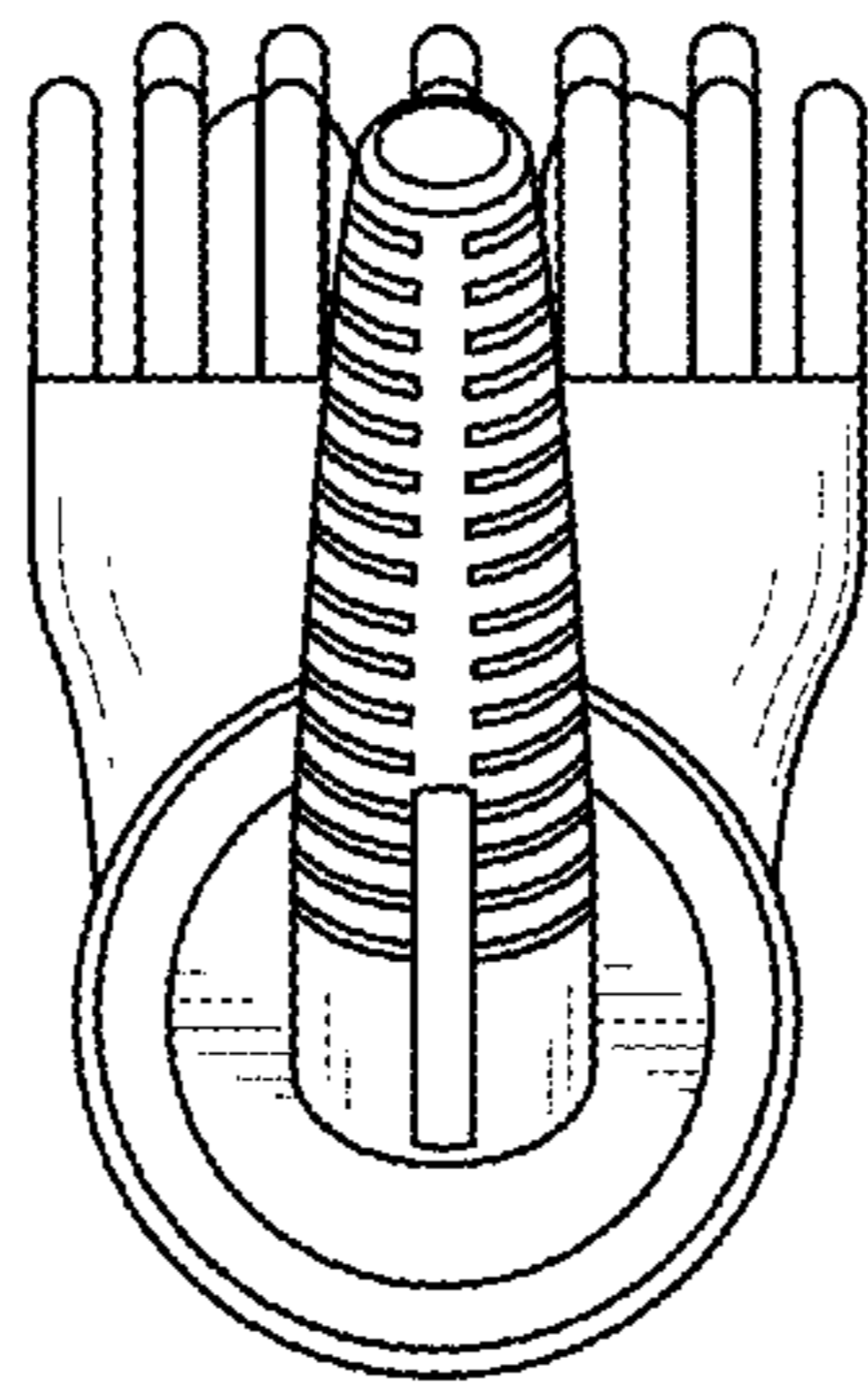


FIG. 8