



US00D885764S

(12) **United States Design Patent**  
**Ferrero**

(10) **Patent No.:** **US D885,764 S**

(45) **Date of Patent:** **\*\* Jun. 2, 2020**

(54) **LOCKING DEVICE**

(71) Applicant: **VALEXTRA S.P.A.**, Milan (IT)

(72) Inventor: **Sara Ferrero**, Milan (IT)

(73) Assignee: **VALEXTRA S.P.A.**, Milan (IT)

(\*\*) Term: **15 Years**

(21) Appl. No.: **29/636,290**

(22) Filed: **Feb. 7, 2018**

(30) **Foreign Application Priority Data**

Aug. 8, 2017 (EM) ..... 004139178-0001

(51) **LOC (12) Cl.** ..... **03-01**

(52) **U.S. Cl.**  
USPC ..... **D3/324**

(58) **Field of Classification Search**  
USPC ..... D8/330, 331, 336, 338, 343, 344, 347;  
D3/225, 226, 230, 232, 233, 243,  
D3/323-326

CPC ..... A45C 1/024; A45C 3/06  
See application file for complete search history.

(56) **References Cited**

**U.S. PATENT DOCUMENTS**

D355,767 S *	2/1995	Cobb	.....	D3/324
D621,157 S *	8/2010	Achilles	.....	D3/323
D656,385 S *	3/2012	Rosario	.....	D8/337
D718,536 S *	12/2014	Guichot	.....	D3/324
D789,693 S *	6/2017	Gerbelle	.....	D3/324
D790,852 S *	7/2017	Gerbelle	.....	D3/243
D802,919 S *	11/2017	Dumas	.....	D3/243
D821,745 S *	7/2018	Dumas	.....	D3/232
D825,179 S *	8/2018	Tomasetta	.....	D3/243
D834,811 S *	12/2018	Nair	.....	D3/232
D834,814 S *	12/2018	Gerbelle	.....	D3/243
D835,404 S *	12/2018	Sassi	.....	D3/232

D837,523 S *	1/2019	Fusi	.....	D3/322
D845,622 S *	4/2019	Guyon	.....	D3/243
D854,319 S *	7/2019	Tomasetta	.....	D3/243
D855,314 S *	8/2019	Rahardjo	.....	D3/243
D864,561 S *	10/2019	Sassi	.....	D3/232
D867,755 S *	11/2019	Tomasetta	.....	D3/243
D871,060 S *	12/2019	Lemaire	.....	D3/243

(Continued)

*Primary Examiner* — Manpreet S Matharu

*Assistant Examiner* — Yolanda Robinson

(74) *Attorney, Agent, or Firm* — Andrew F. Young, Esq.;  
Lackebach Siegel, LLP

(57) **CLAIM**

The ornamental design for a locking device, as shown and described.

**DESCRIPTION**

FIG. 1 is a left front perspective view of a first embodiment of my present invention.

FIG. 2 is a front elevation view thereof.

FIG. 3 is a rear elevation view thereof.

FIG. 4 is a right side elevation view thereof.

FIG. 5 is a left side elevation view thereof.

FIG. 6 is a top plan view thereof.

FIG. 7 is a bottom plan view thereof.

FIG. 8 is a left front perspective view of a second embodiment of my present invention in an open position.

FIG. 9 is a front elevation view thereof.

FIG. 10 is a rear elevation view thereof.

FIG. 11 is a right side elevation view thereof.

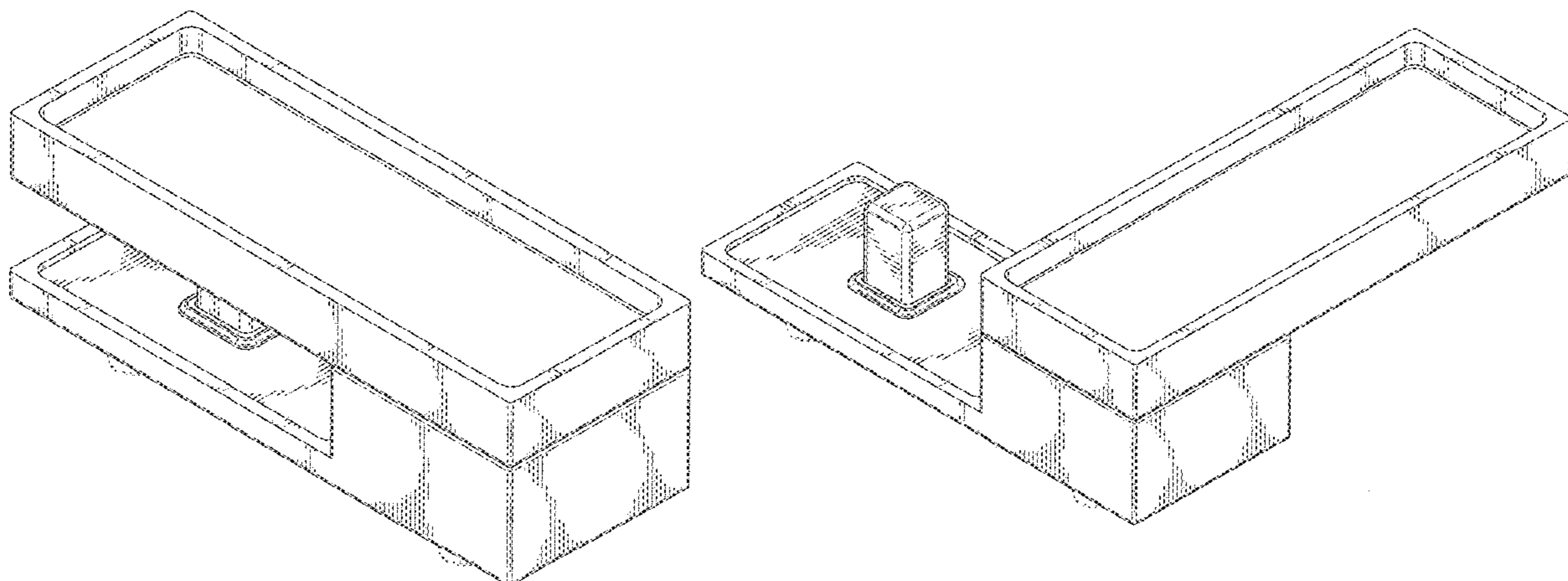
FIG. 12 is a left side elevation view thereof.

FIG. 13 is a top plan view thereof; and,

FIG. 14 is a bottom plan view thereof.

No claim is made to portions that are not shown. The dash-dot-dash lines indicate claim boundaries and no claim is made to the portions so defined. The dash-dash-dash lines indicate environmental portions to which no claim is made.

**1 Claim, 11 Drawing Sheets**



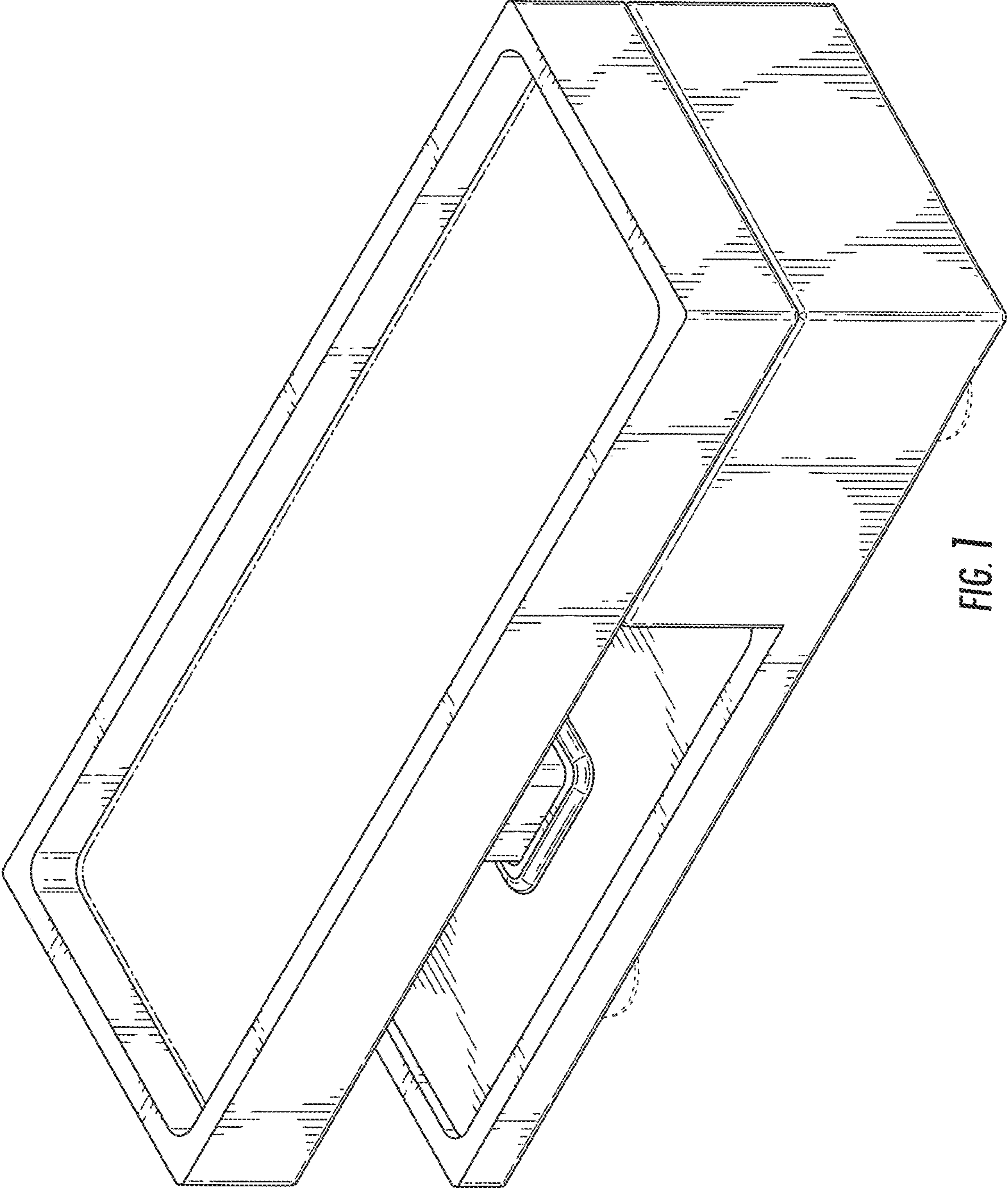
(56)

**References Cited**

U.S. PATENT DOCUMENTS

2017/0318931 A1\* 11/2017 Bianconi ..... A45C 3/06  
2018/0098611 A1\* 4/2018 Signoles ..... A45C 13/1053

\* cited by examiner



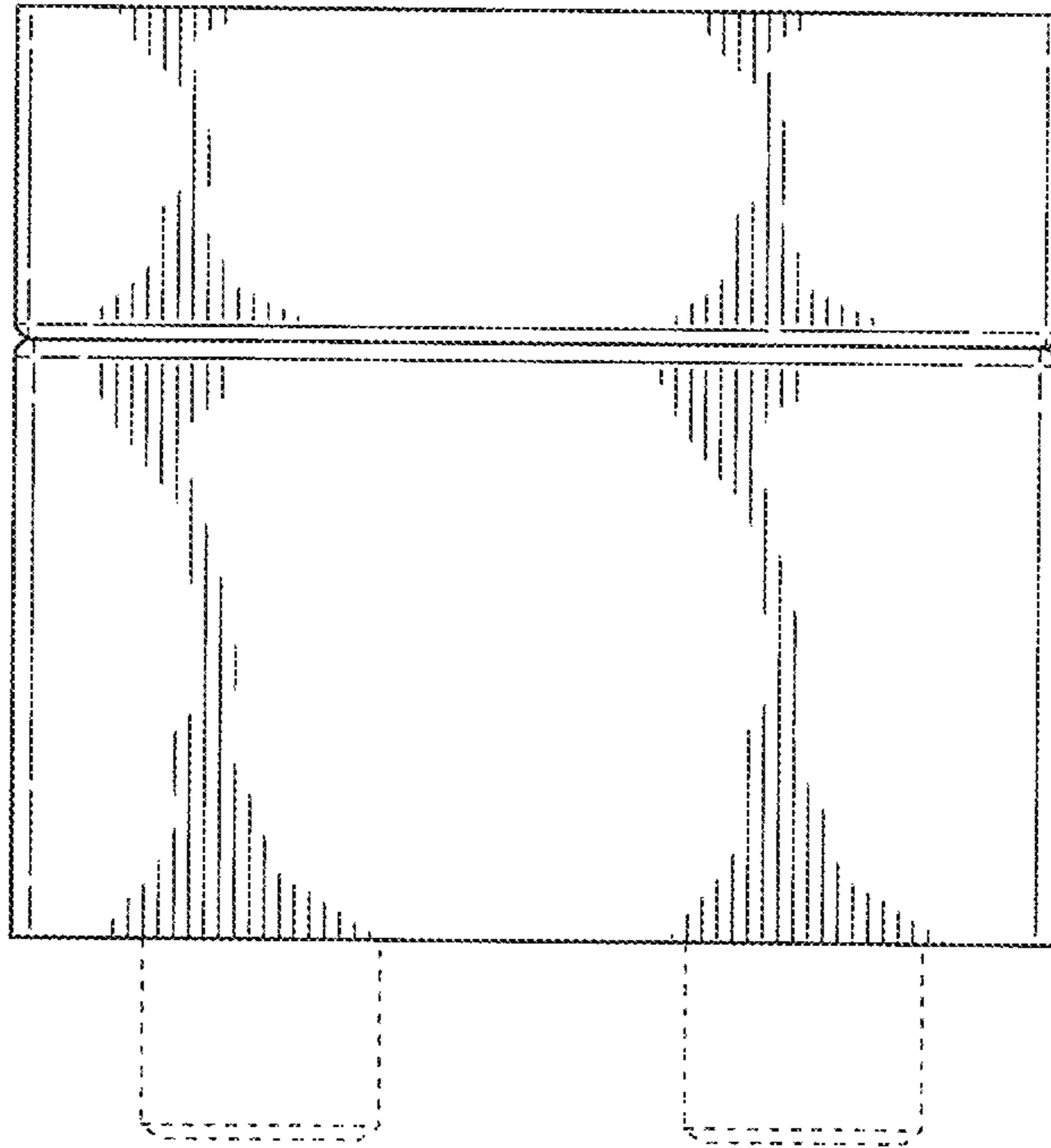


FIG. 2

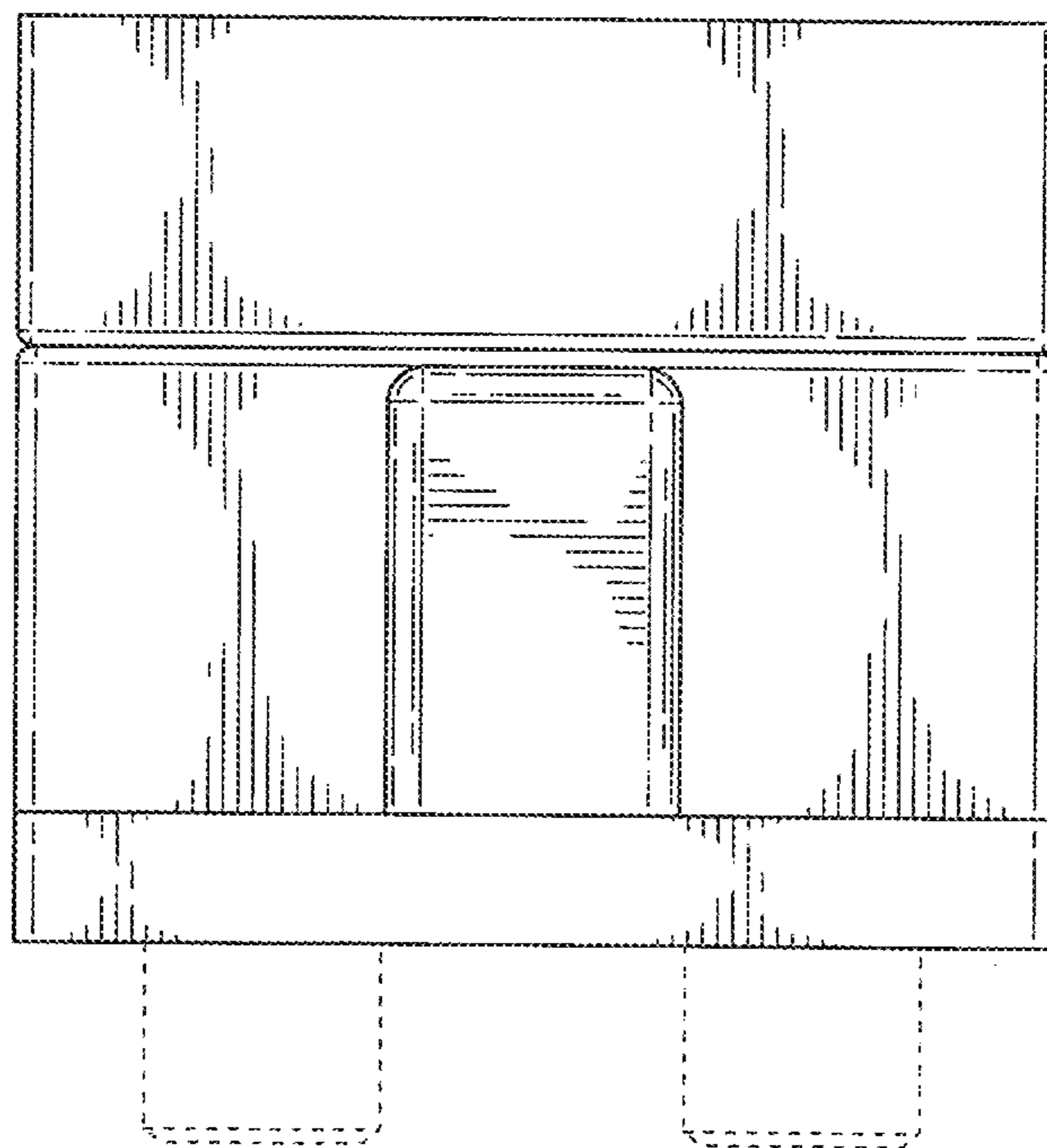


FIG. 3

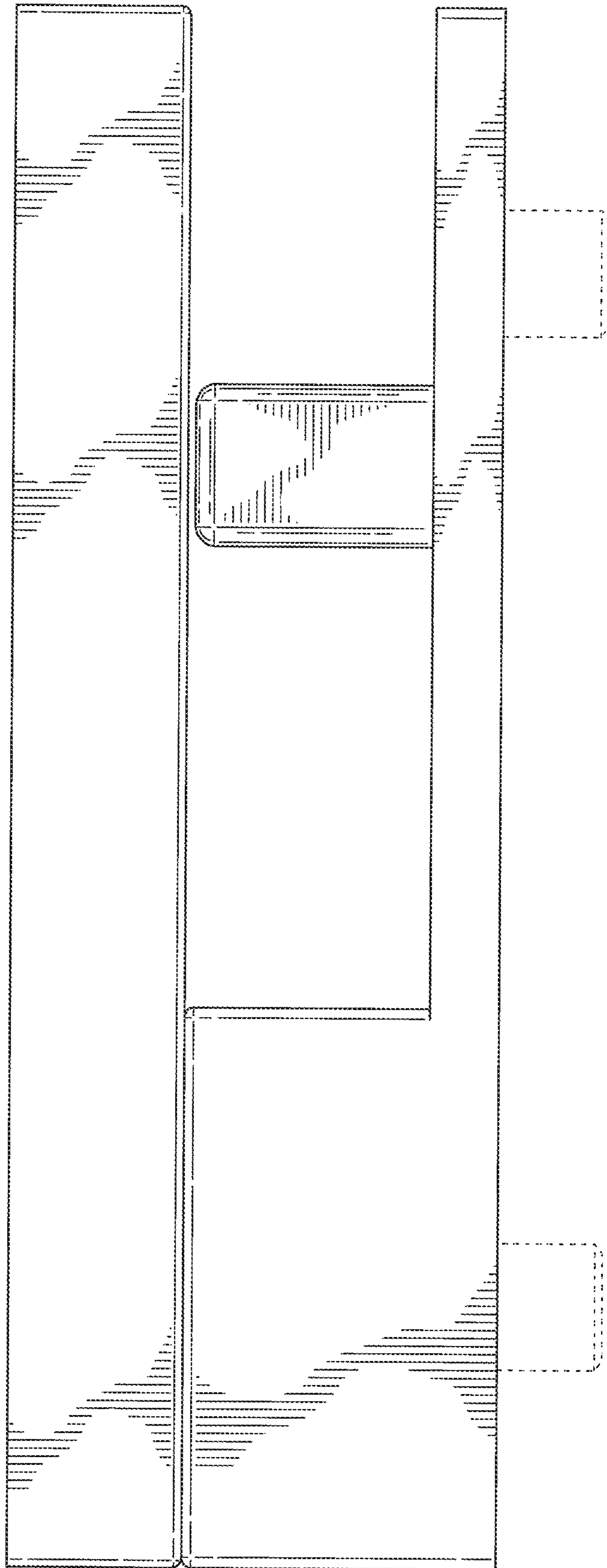


FIG. 4

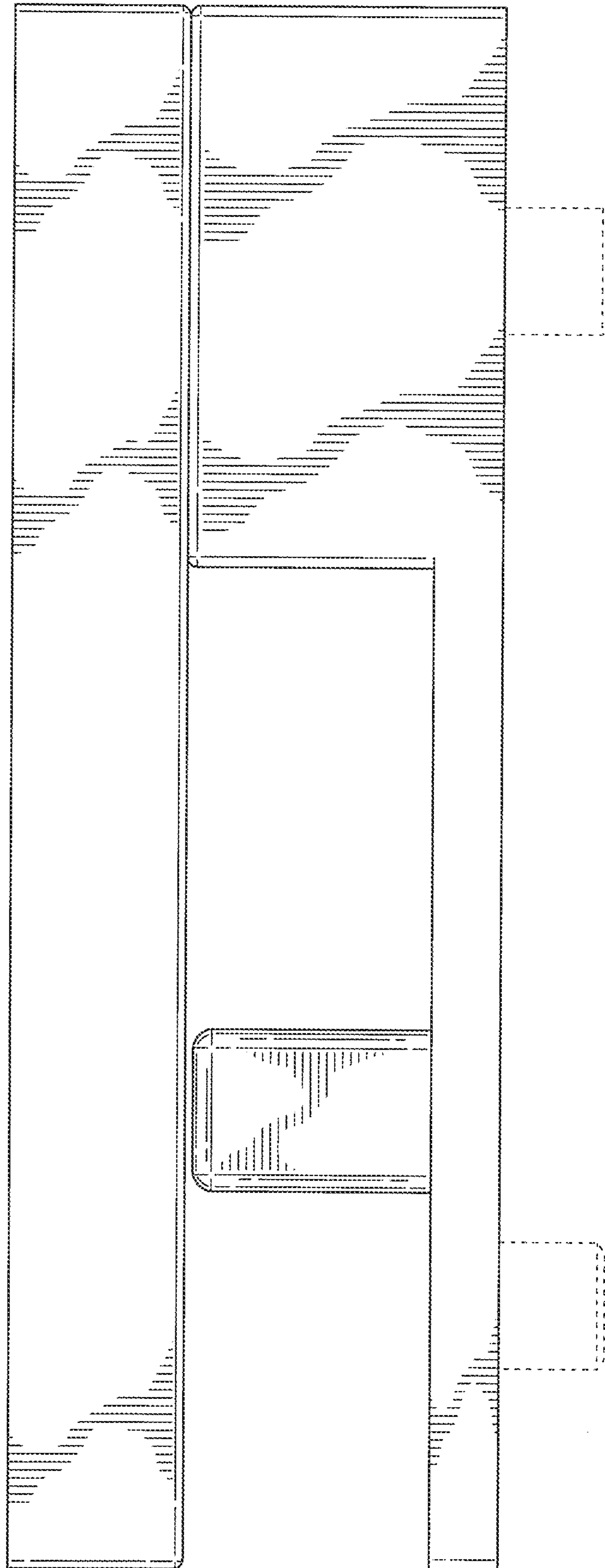


FIG. 5

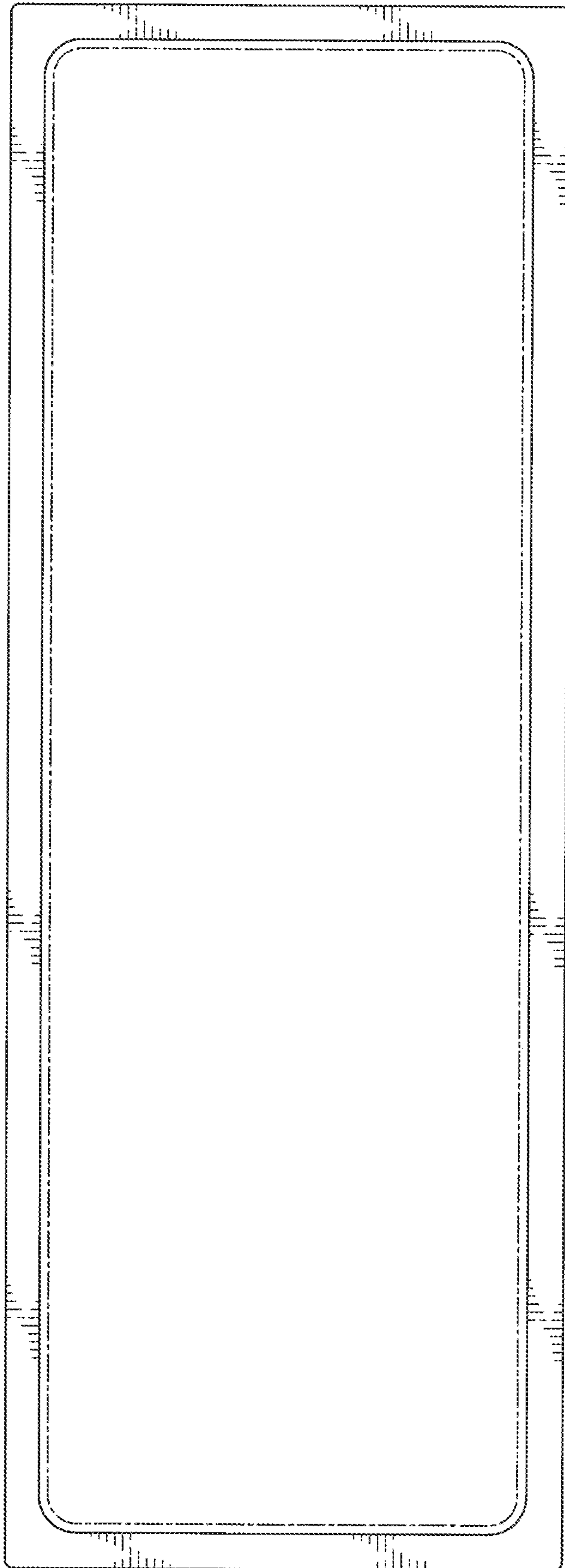


FIG. 6

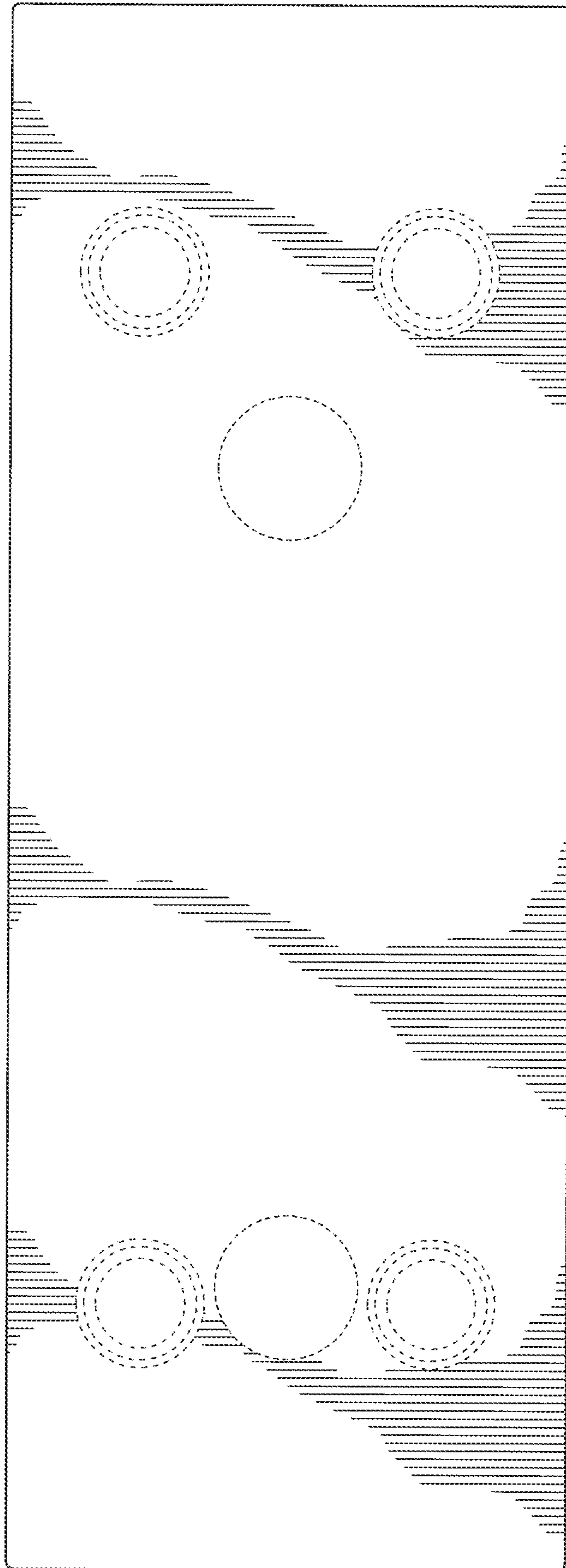


FIG. 7



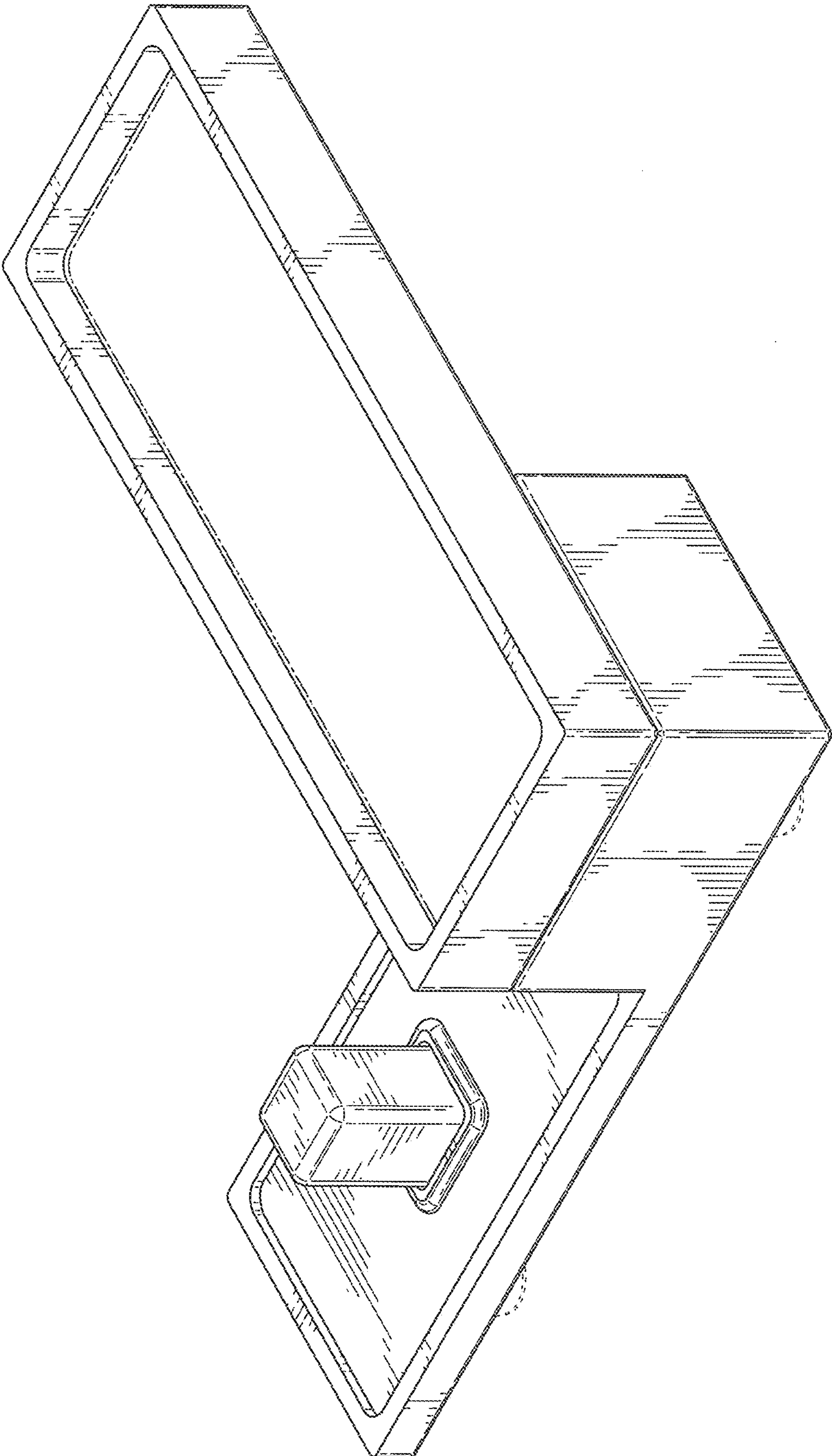


FIG. 8

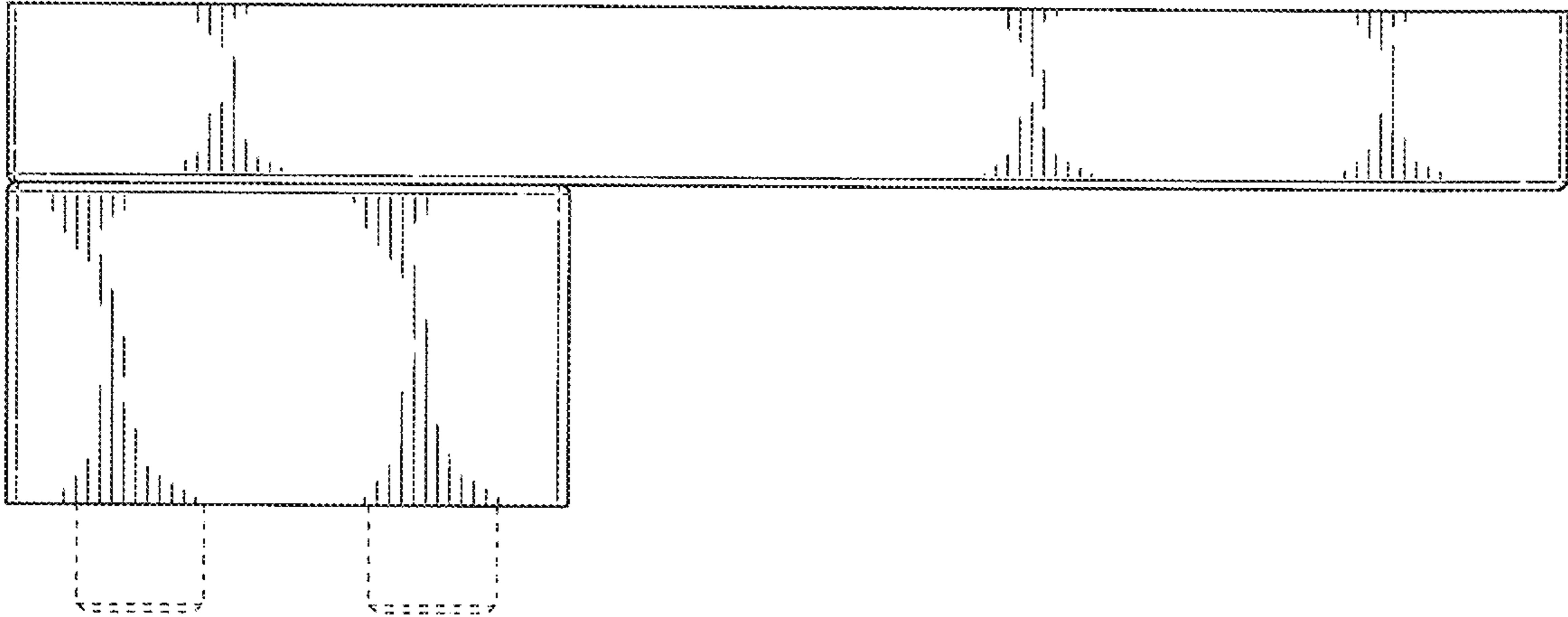


FIG. 9

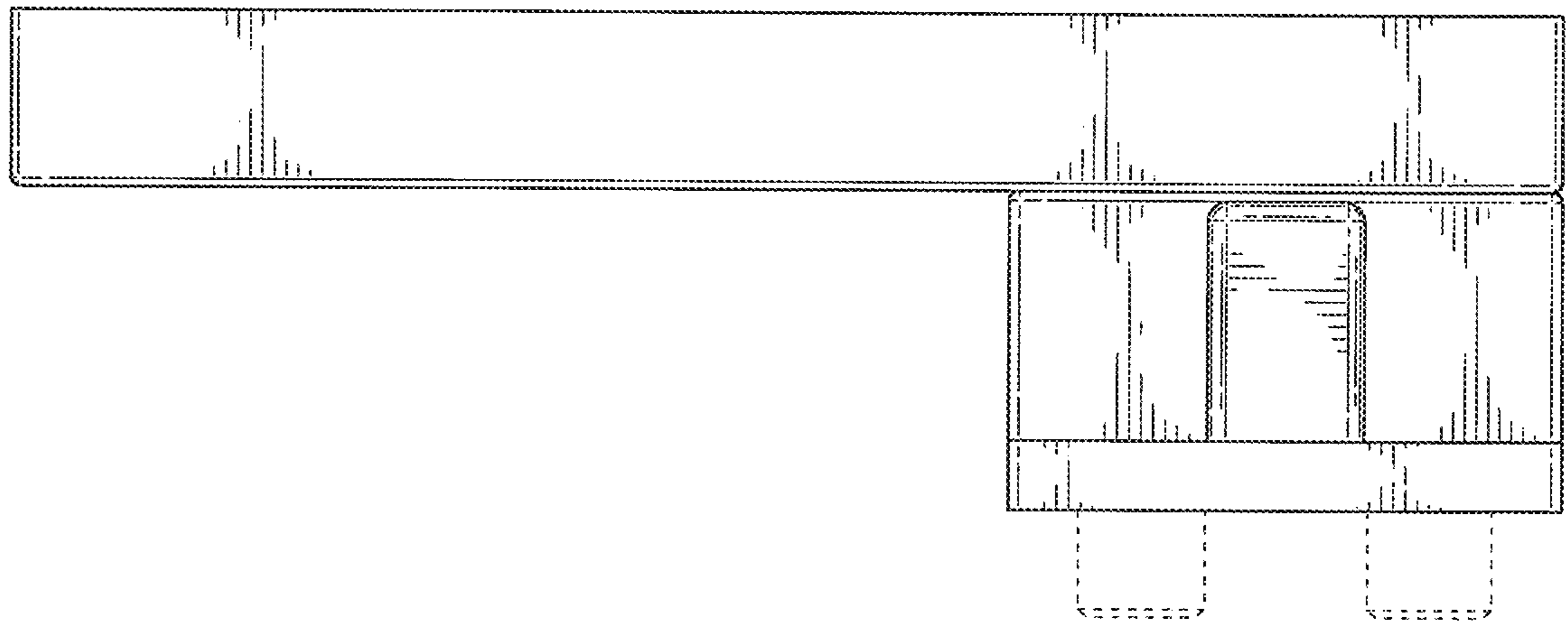


FIG. 10

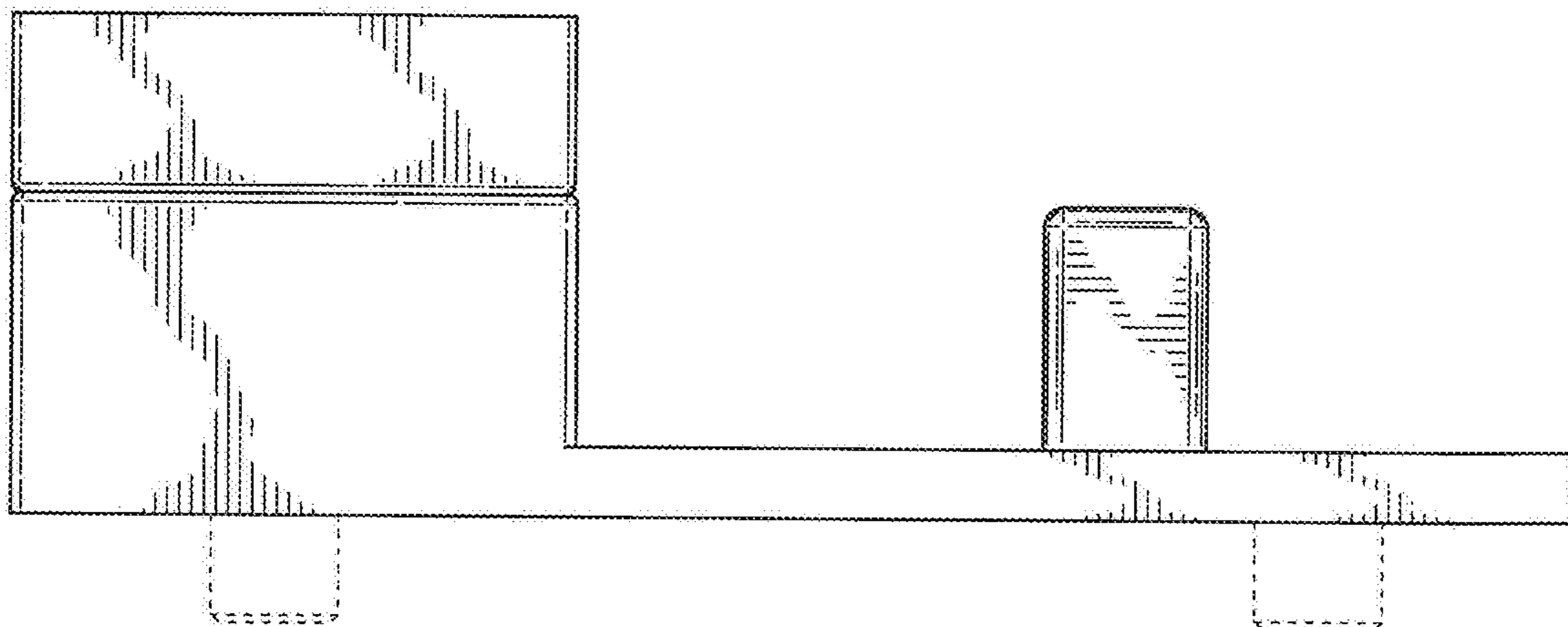


FIG. 11

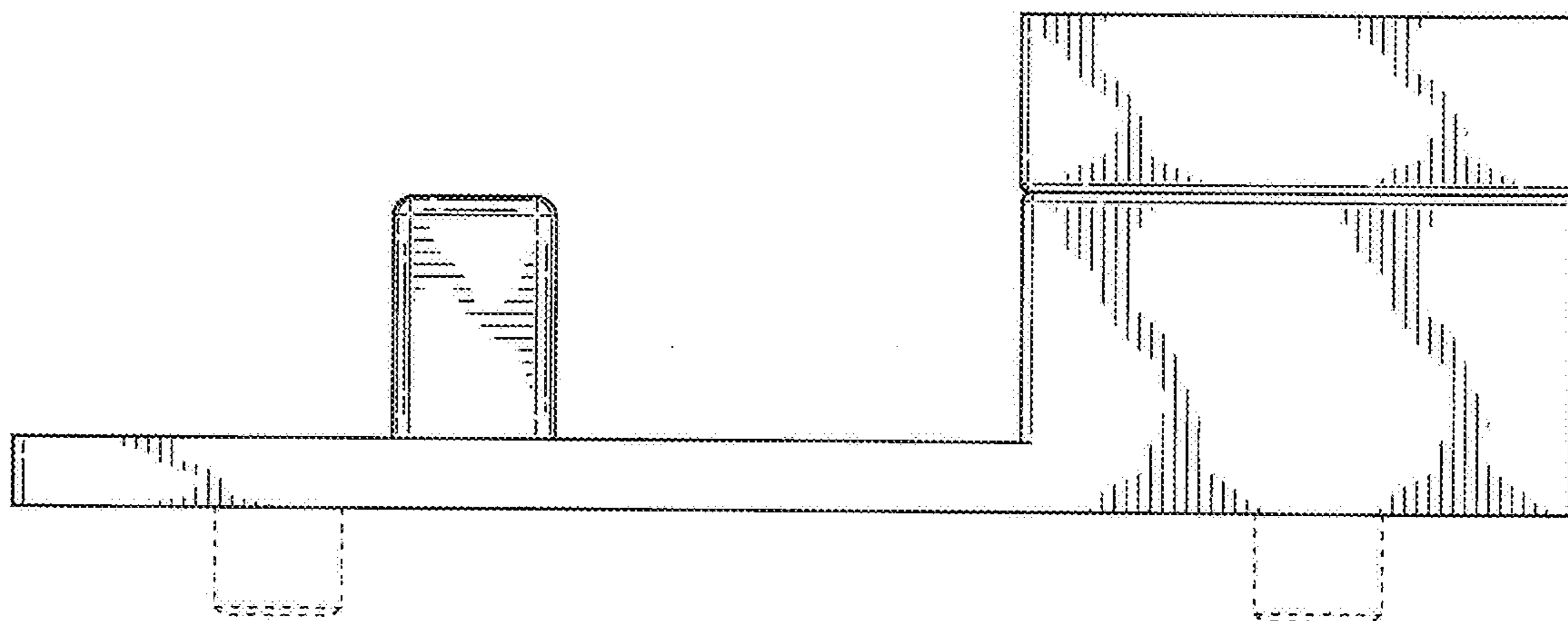


FIG. 12

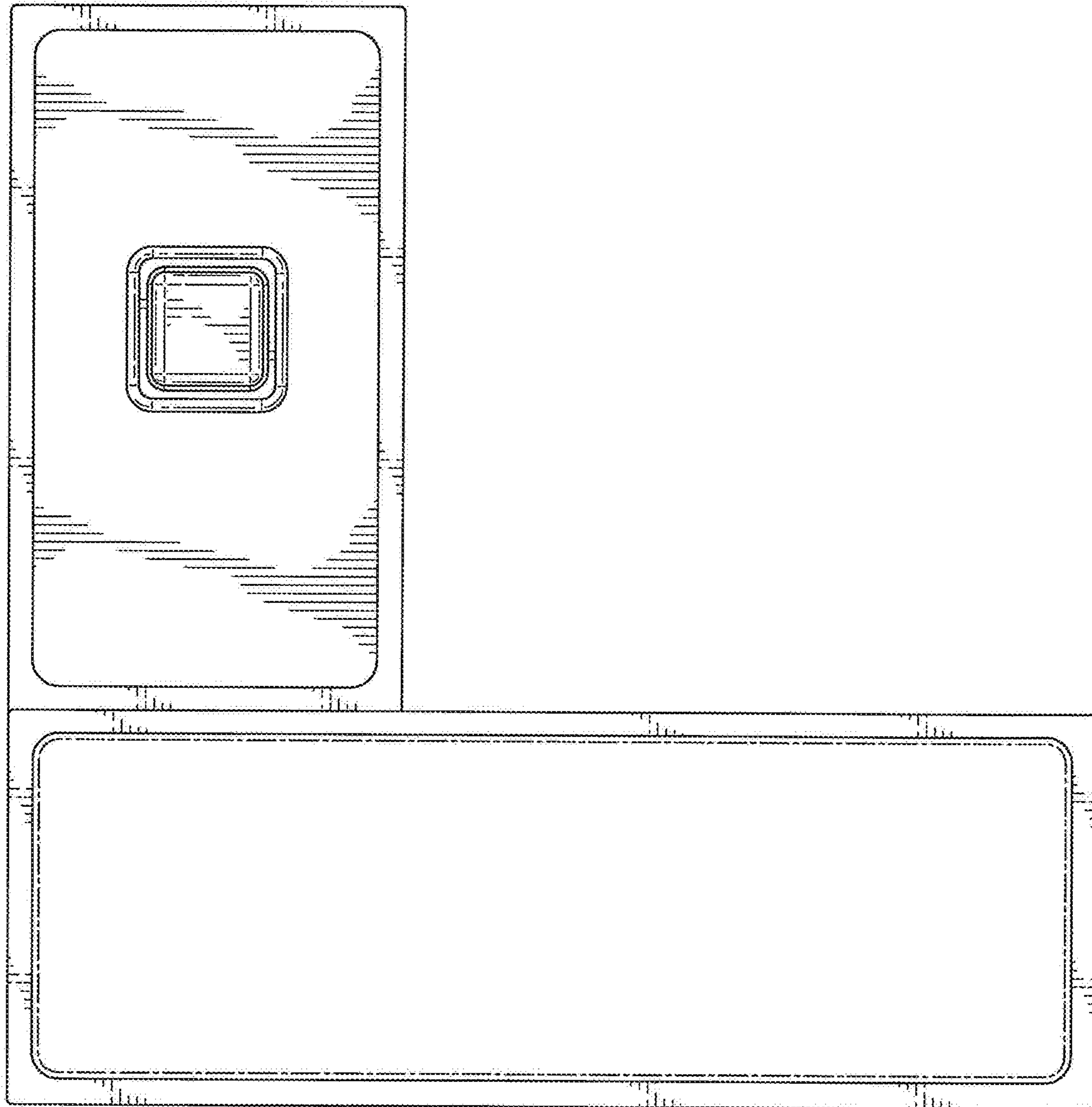


FIG. 13

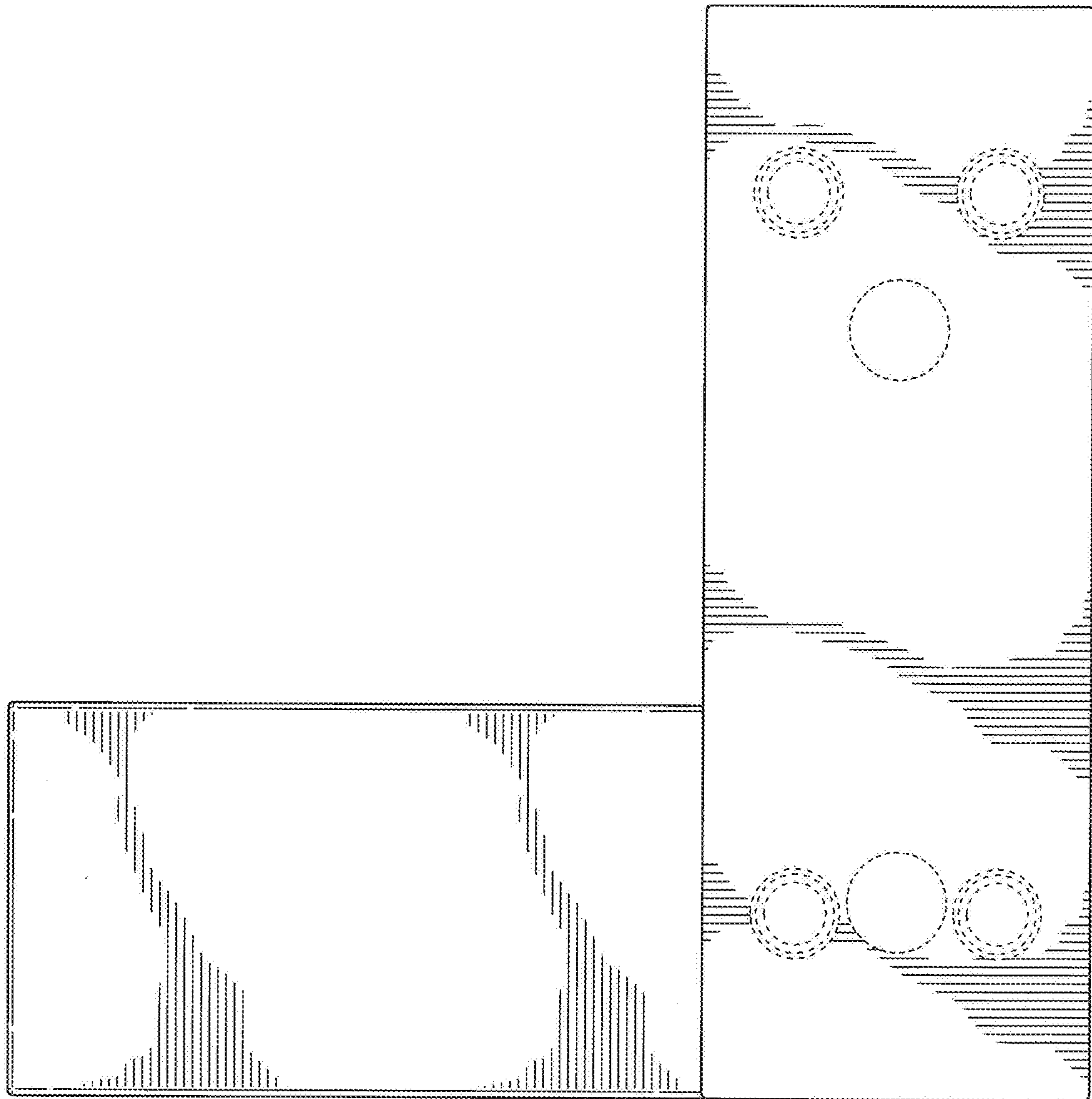


FIG. 14