



US00D885760S

(12) **United States Design Patent**  
**Whitfield**

(10) **Patent No.:** **US D885,760 S**  
(45) **Date of Patent:** **\*\* Jun. 2, 2020**

(54) **TOOL BAG**  
(71) Applicant: **Carl Kammerling International Limited**, North Wales (GB)  
(72) Inventor: **Charles Alan Whitfield**, North Wales (GB)  
(73) Assignee: **Carl Kammerling International Limited**, North Wales (GB)

D647,301 S \* 10/2011 Sosnovsky ..... D3/283  
D648,533 S \* 11/2011 Sosnovsky ..... D3/283  
D821,097 S \* 6/2018 Burton ..... D3/289  
D824,671 S \* 8/2018 Pennington ..... D3/283  
D834,817 S \* 12/2018 Hoppe ..... D3/263  
2015/0367502 A1\* 12/2015 Hassler ..... B25H 3/00  
206/349  
2016/0023349 A1\* 1/2016 Hoppe ..... A45C 7/0045  
280/655.1

(\*\*) Term: **15 Years**  
(21) Appl. No.: **29/614,515**  
(22) Filed: **Aug. 21, 2017**

(30) **Foreign Application Priority Data**

Jul. 27, 2017 (EM) ..... 004123164-0001

(51) **LOC (12) Cl.** ..... **03-01**  
(52) **U.S. Cl.**

USPC ..... **D3/279; D3/905**

(58) **Field of Classification Search**

USPC ..... D3/273, 274, 276, 279, 282, 294, 297,

D3/905, 307, 313, 310; D6/671; D34/19

CPC ..... B25H 3/00; B25H 3/003; B25H 3/006;

B25H 3/02; H02J 7/0027; A45C 5/00;

A45C 2005/032; A45C 5/06; A45C 5/14

See application file for complete search history.

(56) **References Cited**

**U.S. PATENT DOCUMENTS**

D474,598 S \* 5/2003 Platte, III ..... D3/279  
D489,528 S \* 5/2004 Ihenacho ..... D3/279  
D552,349 S \* 10/2007 Greiner ..... D3/278  
D569,102 S \* 5/2008 Timm ..... D3/279  
D613,507 S \* 4/2010 Brouard ..... D3/315  
D639,051 S \* 6/2011 Dare ..... D3/260

**OTHER PUBLICATIONS**

CK Magma, "Technician's Wheeled Case", Accessed Apr. 5, 2019. (<http://www.ck-magma.com/products/technicians-wheeled-case#.XKev2PIKjmE>) (Year: 2019).\*

Amazon, "Klein Tools 55452RTB Tradesman Pro Rolling Tool Bag", First on sale May 28, 2014. (<https://www.amazon.co.uk/dp/B00BZXA351/>) (Year: 2014).\*

\* cited by examiner

*Primary Examiner* — April Rivas

(74) *Attorney, Agent, or Firm* — Clark & Brody LP

(57) **CLAIM**

The ornamental design for a tool bag, as shown and described.

**DESCRIPTION**

FIG. 1 is a front perspective view of a tool bag showing my new design.

FIG. 2 is a front elevation view thereof.

FIG. 3 is a left side elevation view thereof.

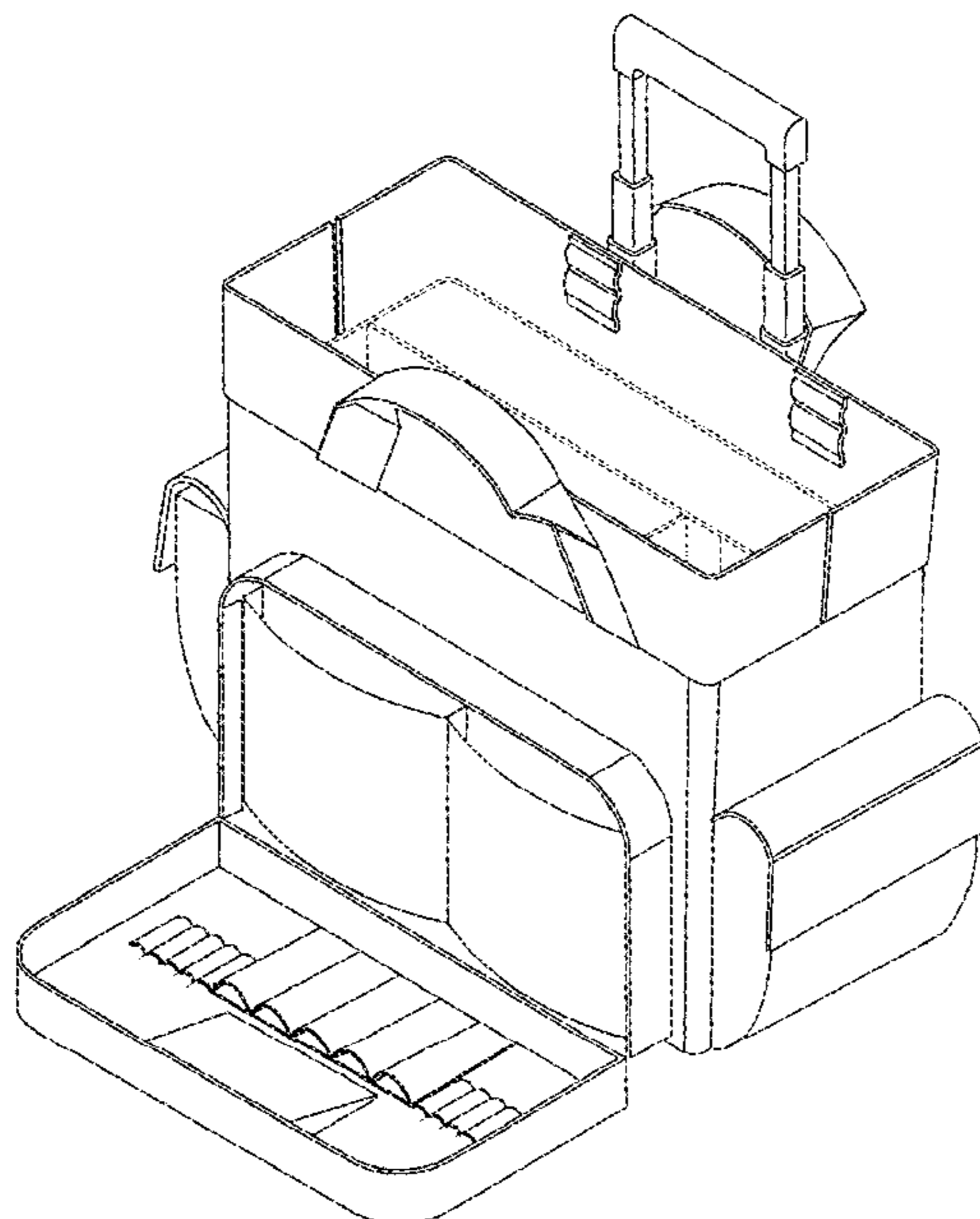
FIG. 4 is a right side elevation view thereof.

FIG. 5 is a top plan view thereof; and,

FIG. 6 is a bottom plan view thereof.

The broken lines illustrate portions of the tool bag and form no part of the claimed design.

**1 Claim, 6 Drawing Sheets**



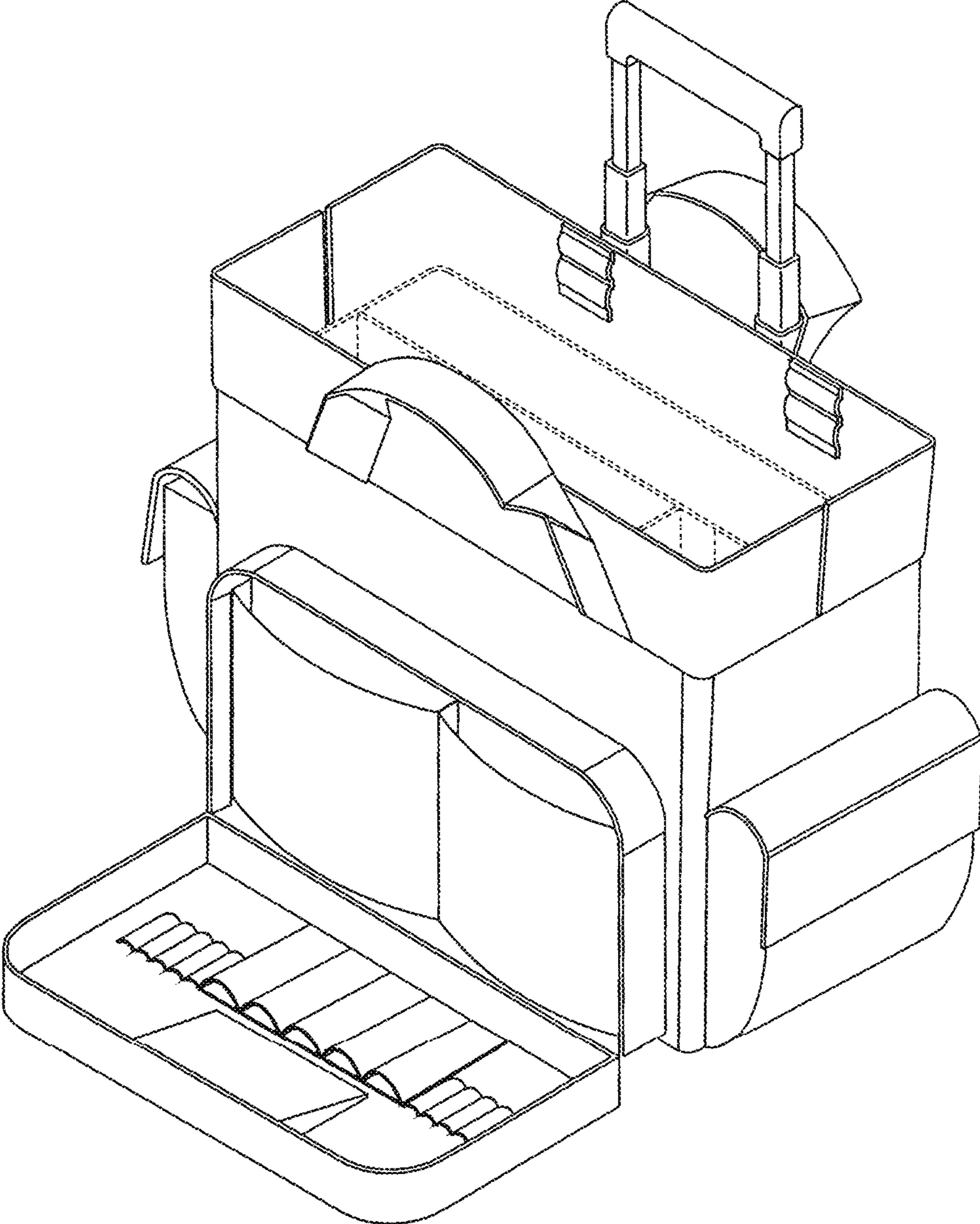


FIG. 1

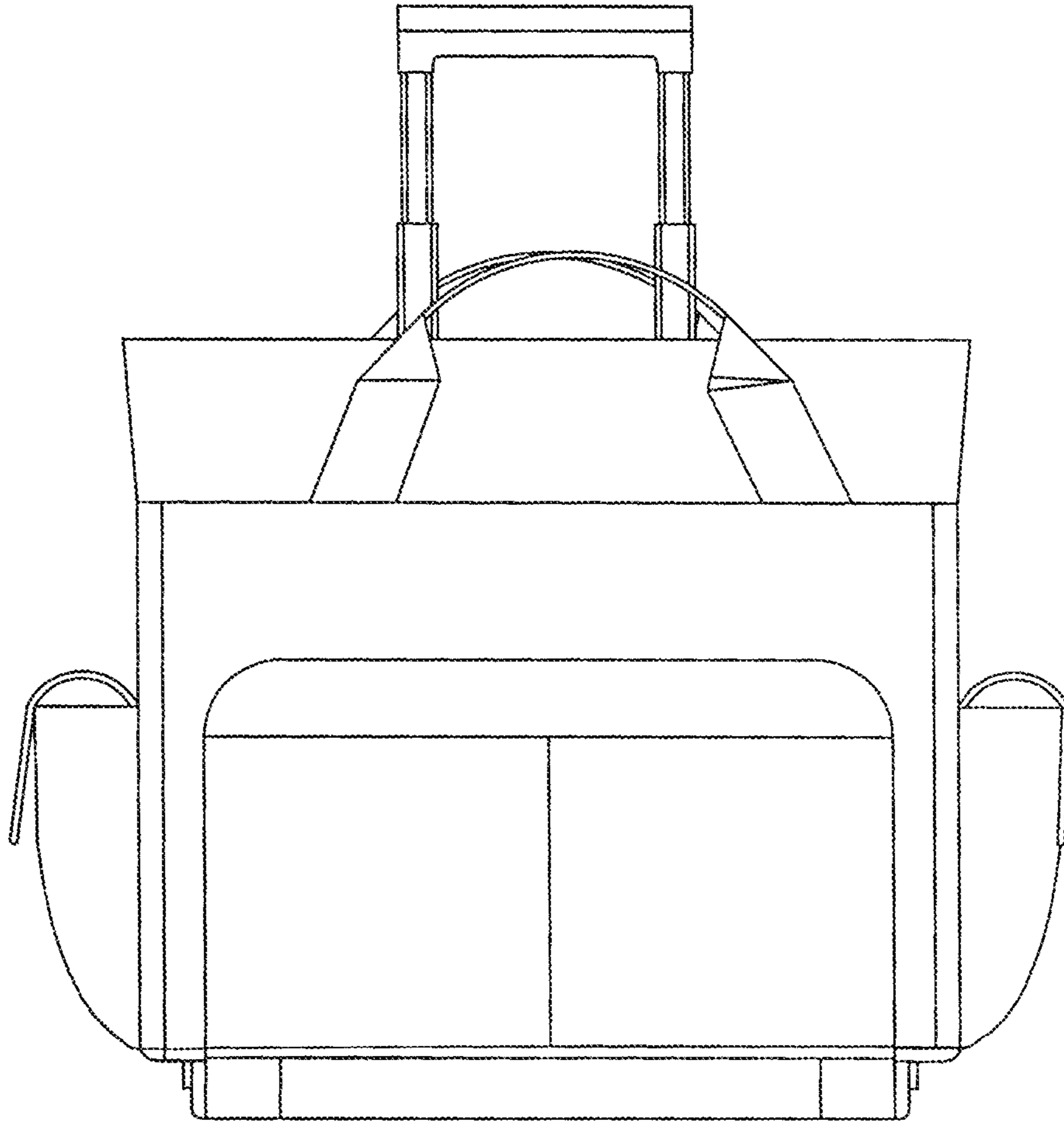


FIG. 2

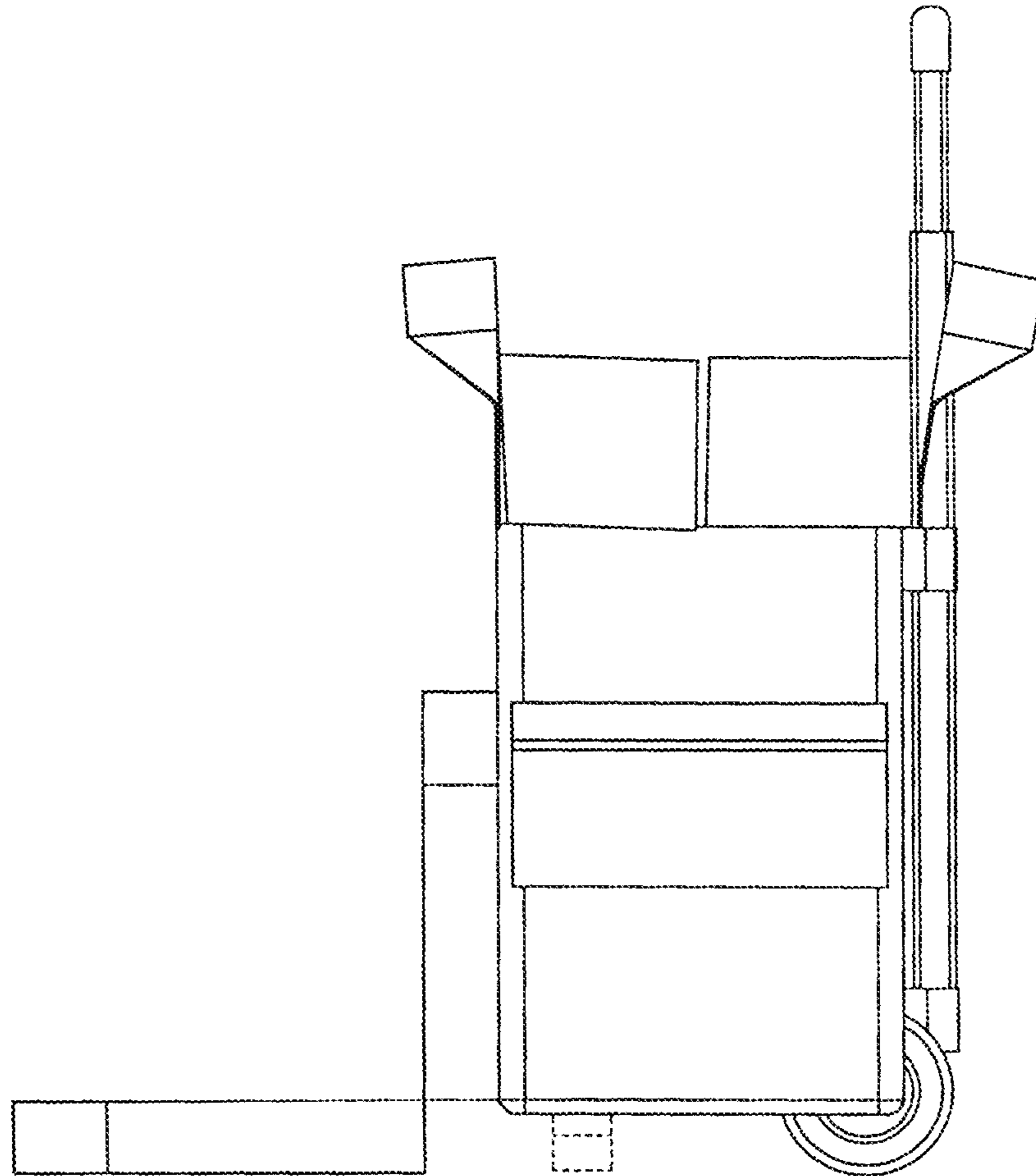


FIG. 3

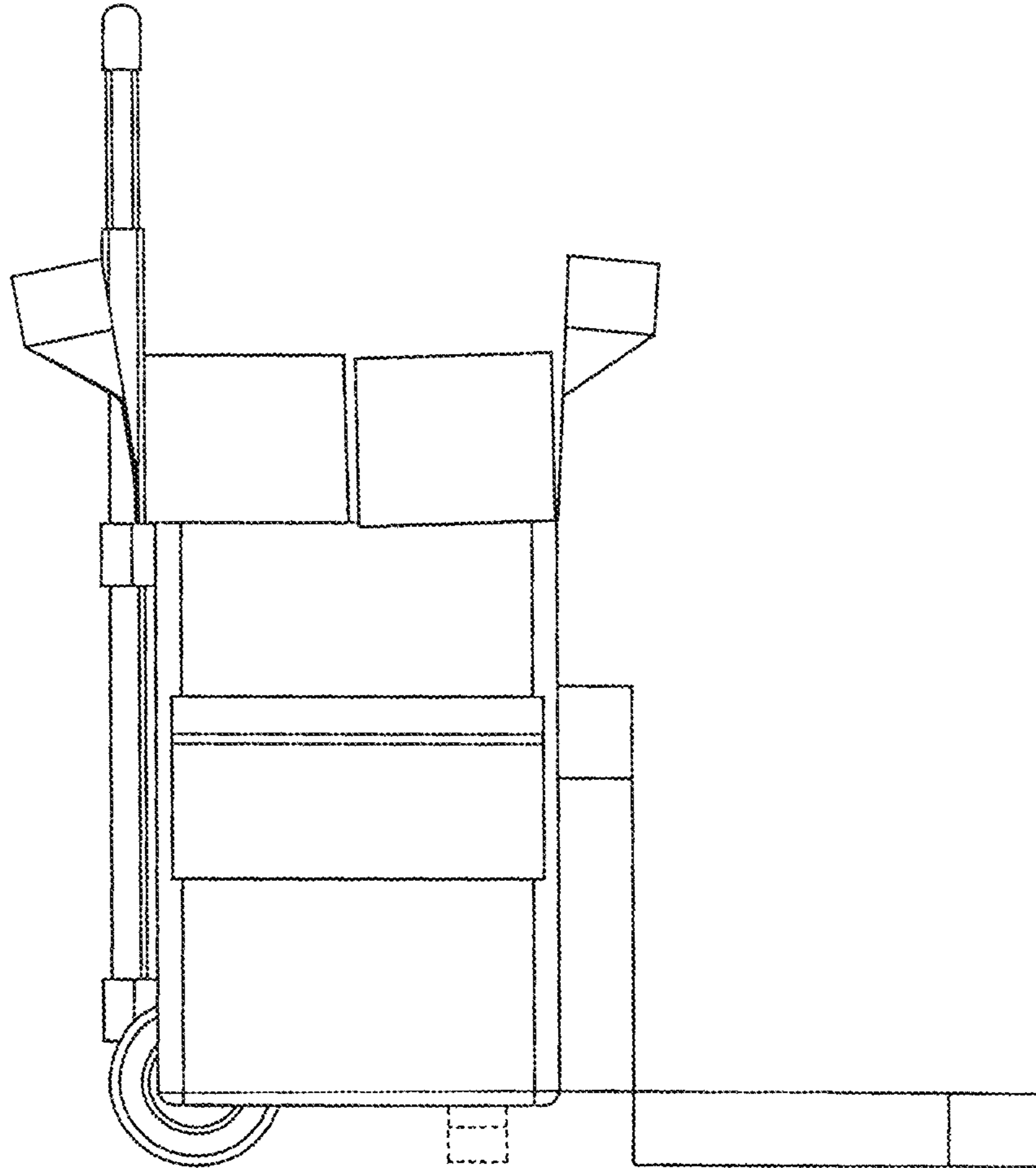


FIG. 4

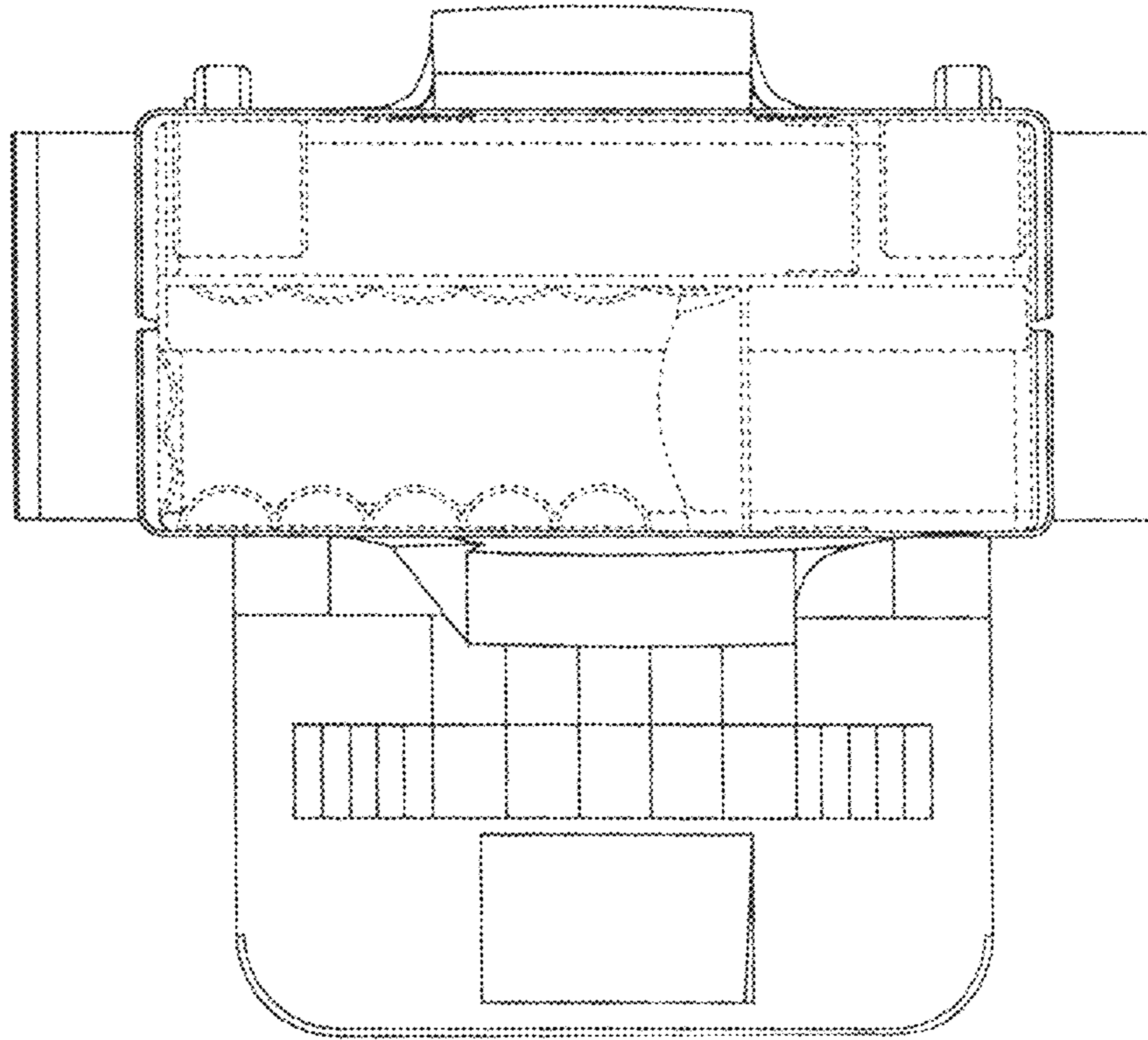


FIG. 5

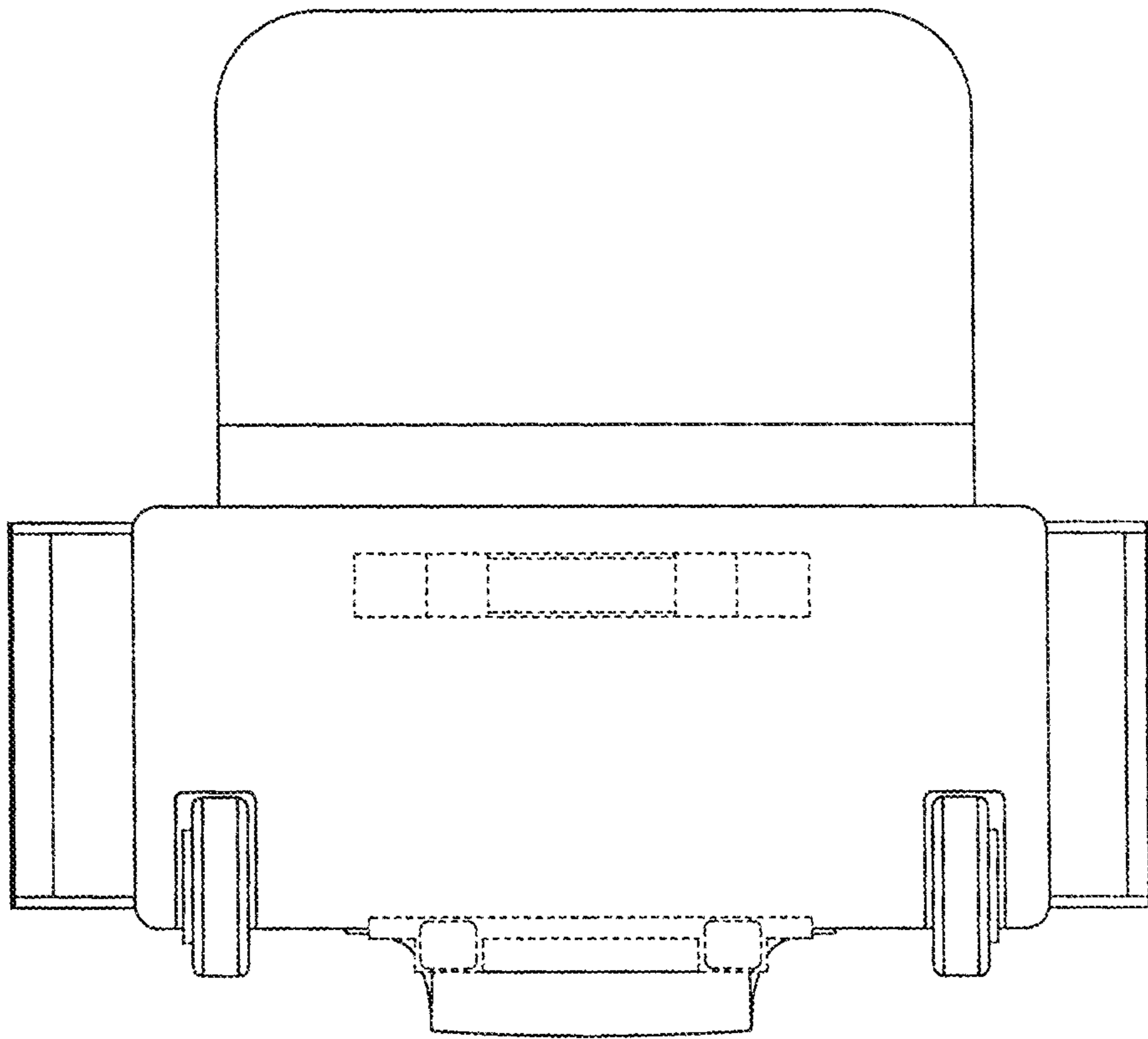


FIG. 6