



US00D885757S

(12) **United States Design Patent**  
**Gvasalia**

(10) **Patent No.:** **US D885,757 S**

(45) **Date of Patent:** **\*\* Jun. 2, 2020**

(54) **FLAP BAG**

(71) Applicant: **BALENCIAGA**, Paris (FR)

(72) Inventor: **Demna Gvasalia**, Paris (FR)

(73) Assignee: **BALENCIAGA**, Paris (FR)

(\*\*) Term: **15 Years**

(21) Appl. No.: **29/685,229**

(22) Filed: **Mar. 27, 2019**

(30) **Foreign Application Priority Data**

Sep. 28, 2018 (WO) ..... 9089901

(51) **LOC (12) Cl.** ..... **03-01**

(52) **U.S. Cl.**  
USPC ..... **D3/245**

(58) **Field of Classification Search**

USPC ..... D3/232-233, 240-243, 245-246

CPC ..... A45C 1/024; A45C 3/06

See application file for complete search history.

(56) **References Cited**

**U.S. PATENT DOCUMENTS**

D130,392 S \* 11/1941 Lewis ..... D3/324

D139,076 S \* 10/1944 Morris ..... D3/241

D165,240 S \* 11/1951 Pichel ..... D3/241

\* cited by examiner

*Primary Examiner* — Holly H Baynham

(74) *Attorney, Agent, or Firm* — Donald J. Ranft; Collen

(57) **CLAIM**

The ornamental design for a flap bag, as shown and described.

**DESCRIPTION**

FIG. 1 is a front right perspective view of a flap bag showing my new design;

FIG. 2 is a front view thereof;

FIG. 3 is a rear view thereof;

FIG. 4 is a right side view thereof;

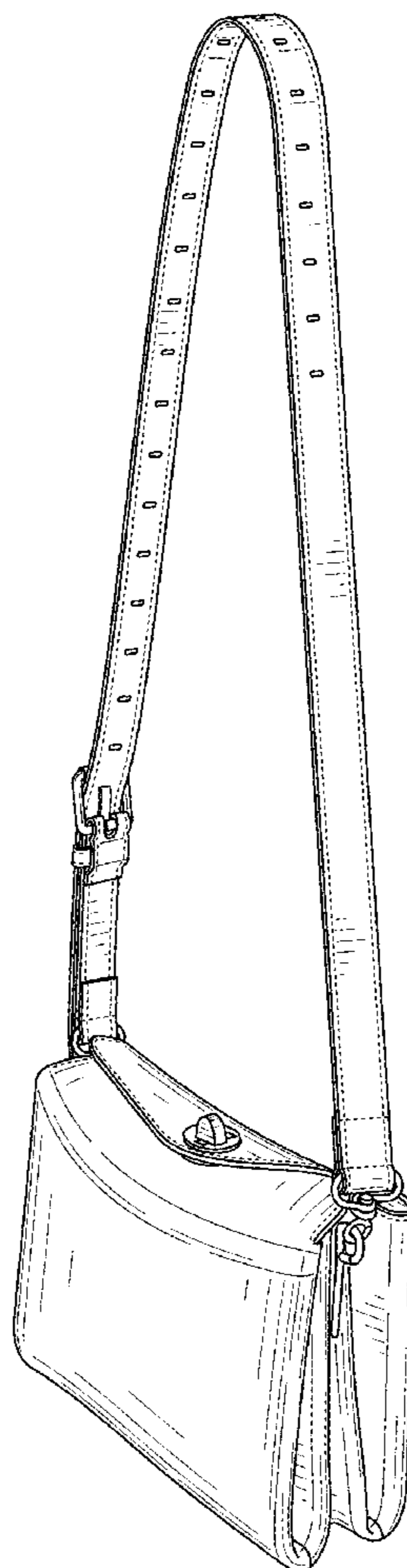
FIG. 5 is a left side view thereof;

FIG. 6 is a top view thereof; and,

FIG. 7 is a bottom view thereof.

The portions of the flap bag shown in broken lines represent thread stitching and do form a part of the claimed design.

**1 Claim, 6 Drawing Sheets**



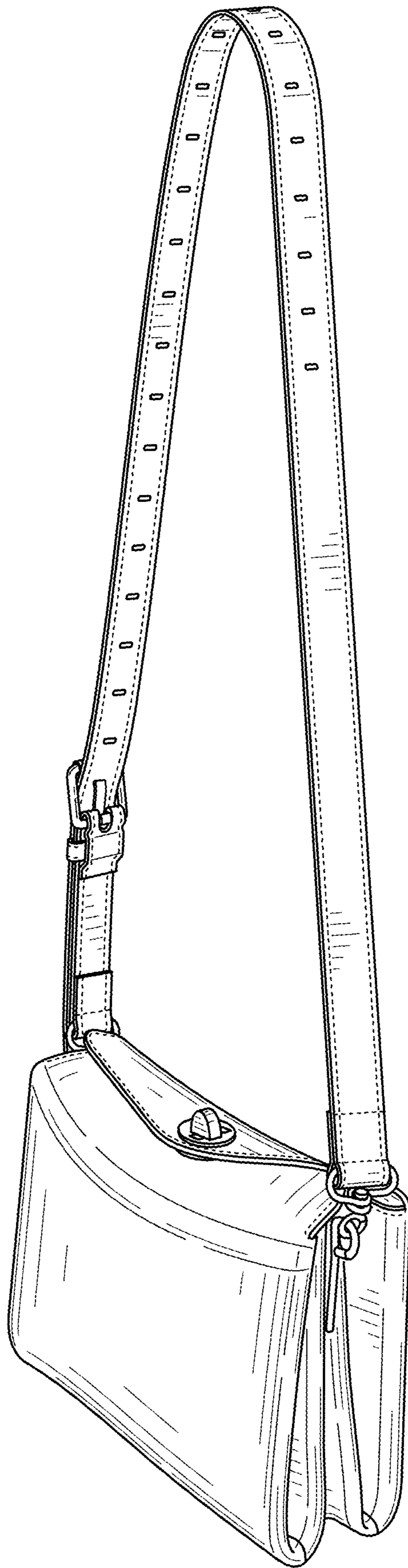


FIG. 1

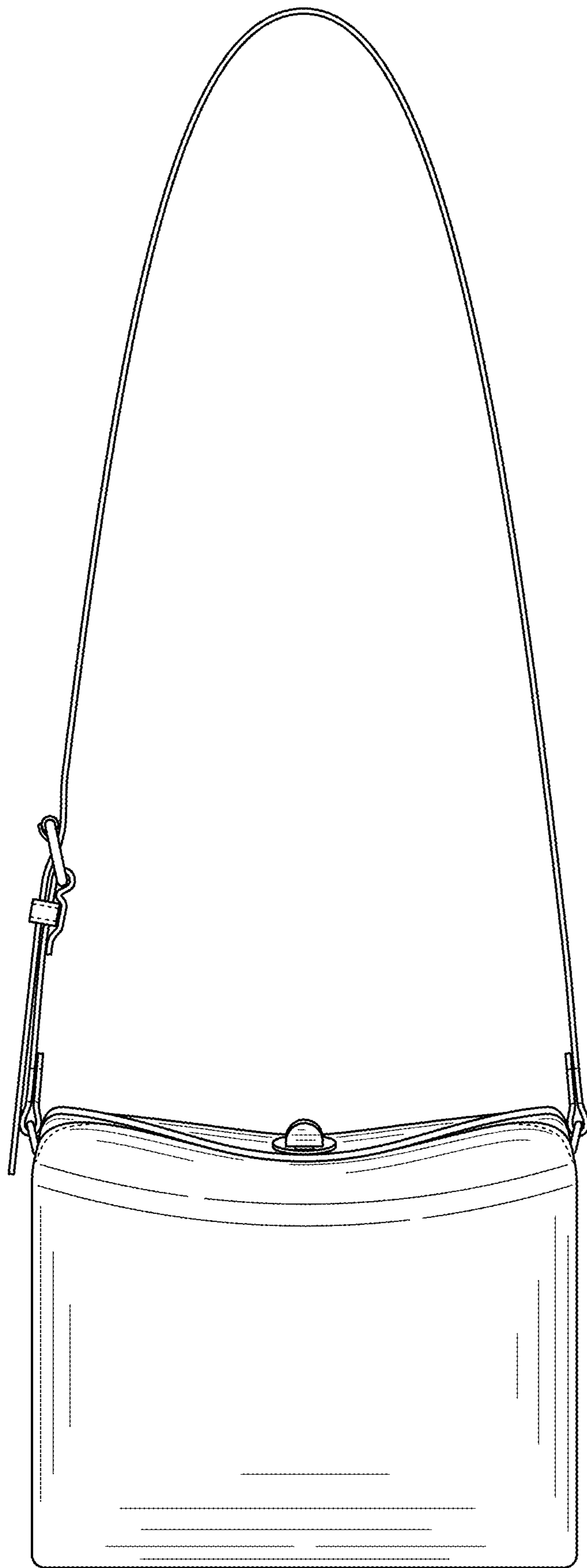


FIG. 2

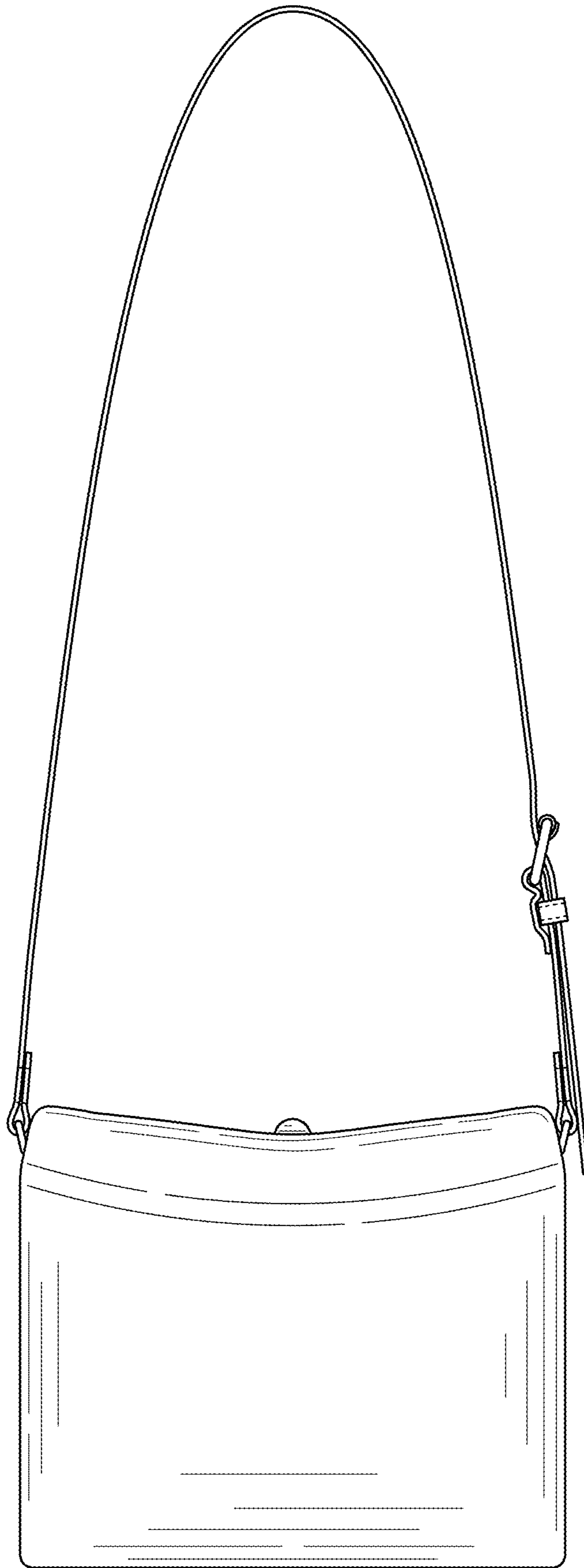


FIG. 3

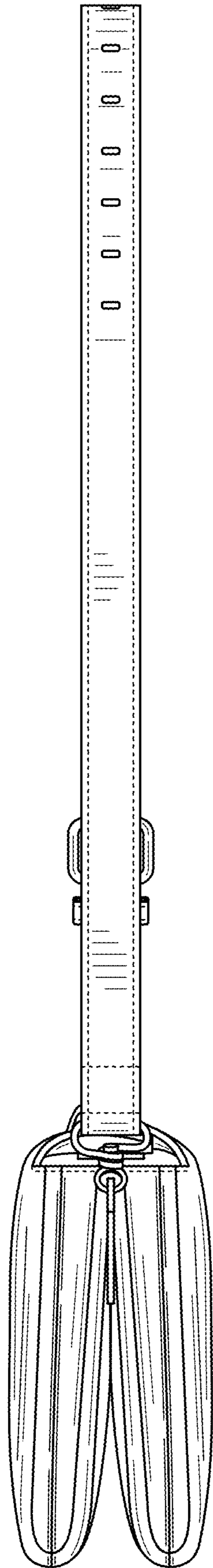


FIG. 4

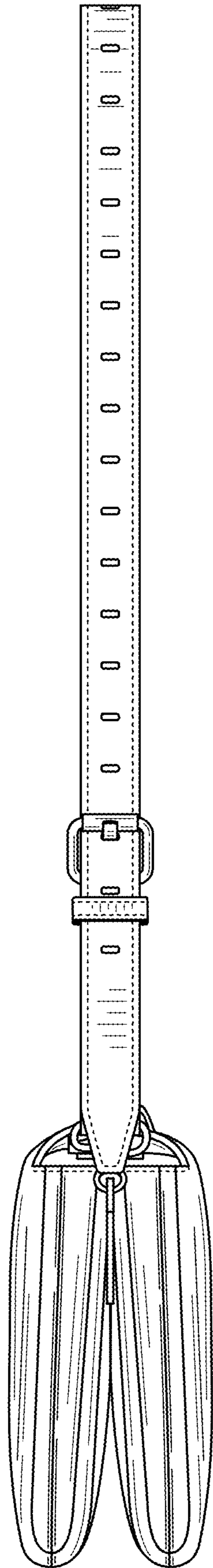


FIG. 5

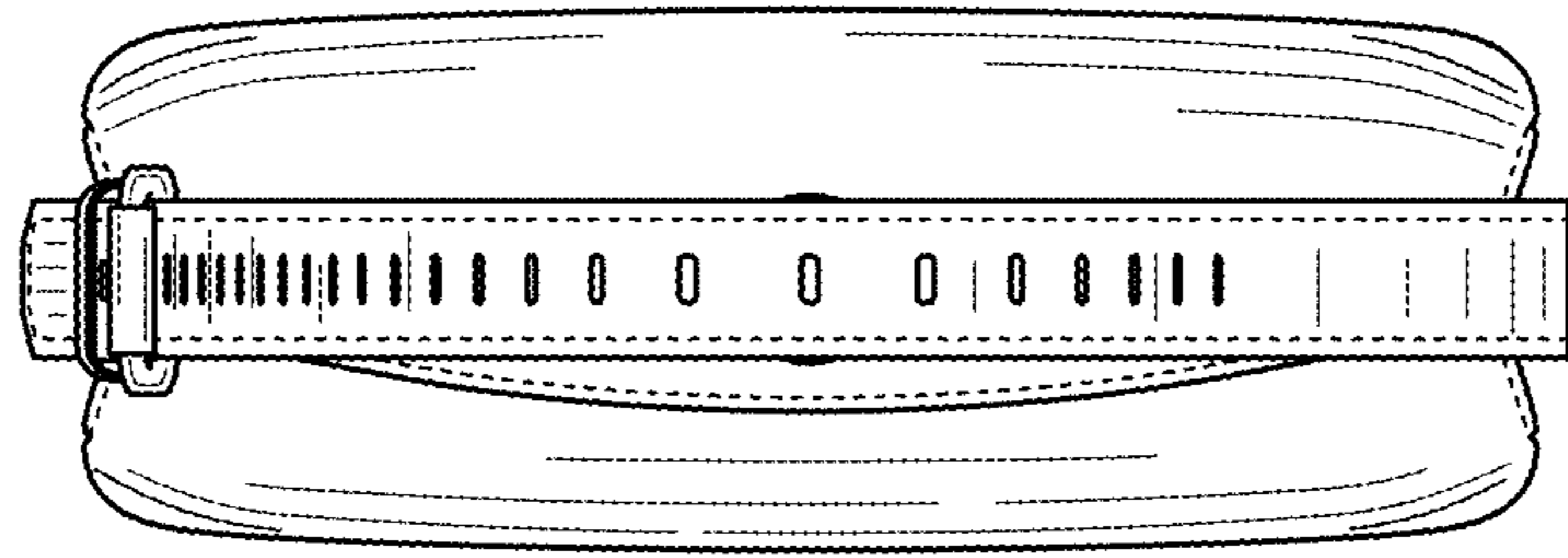


FIG. 6

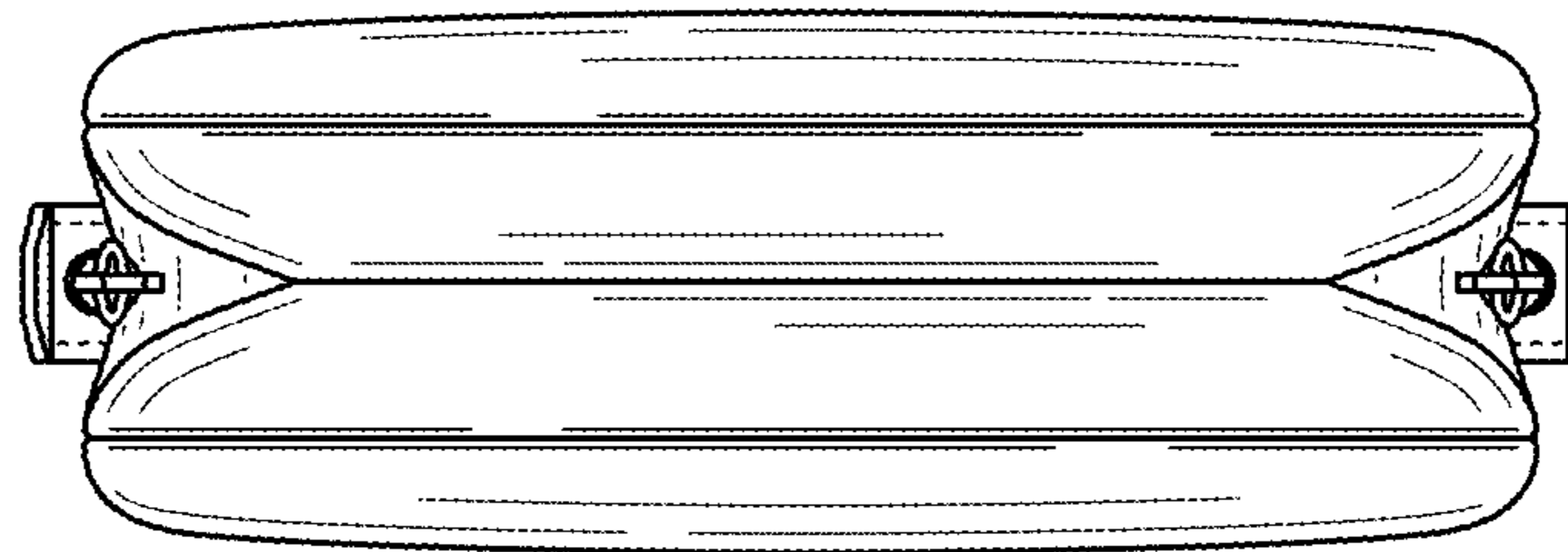


FIG. 7