



US00D885754S

(12) **United States Design Patent** (10) **Patent No.:** **US D885,754 S**
Song (45) **Date of Patent:** **** Jun. 2, 2020**

(54) **POCKET HOLSTER**

(71) Applicant: **Jean Song**, Crystal Lake, IL (US)

(72) Inventor: **Jean Song**, Crystal Lake, IL (US)

(**) Term: **15 Years**

(21) Appl. No.: **29/606,877**

(22) Filed: **Jun. 8, 2017**

(51) **LOC (12) Cl.** **03-01**

(52) **U.S. Cl.**
USPC **D3/222; D22/108**

(58) **Field of Classification Search**

USPC D22/108-110, 199; D21/302, 306, 307,
D21/570, 573-575; D3/222-224

CPC .. F41C 33/02; F41C 33/0209; F41C 33/0227;
F41C 33/0236; F41C 33/0272; F41C
33/04; F41C 33/041; F41C 33/048

See application file for complete search history.

(56) **References Cited**

U.S. PATENT DOCUMENTS

D236,891 S *	9/1975	Welssenburger	D3/222
D273,603 S *	4/1984	Seldeen	D3/222
4,504,001 A *	3/1985	Nichols	F41C 33/045 224/198
D285,822 S *	9/1986	Davis	D3/222
D392,458 S *	3/1998	Batts	D3/222
6,604,657 B2 *	8/2003	Yirmiyahu	F41C 33/0227 224/243

(Continued)

FOREIGN PATENT DOCUMENTS

CA 2779960 A1 * 5/2011 F41C 33/0209

OTHER PUBLICATIONS

The Ultimate Concealed Carry Firearms Holster, posted at PocketHolsters, posting date Jan. 9, 2016. Site visited Mar. 28,

2019. URL: <<https://web.archive.org/web/20160109172251/http://pocketholsters.com/>> (Year: 2016).*

(Continued)

Primary Examiner — Kevin K Rudzinski

Assistant Examiner — Kathleen L Jones

(74) *Attorney, Agent, or Firm* — Underwood & Associates, LLC

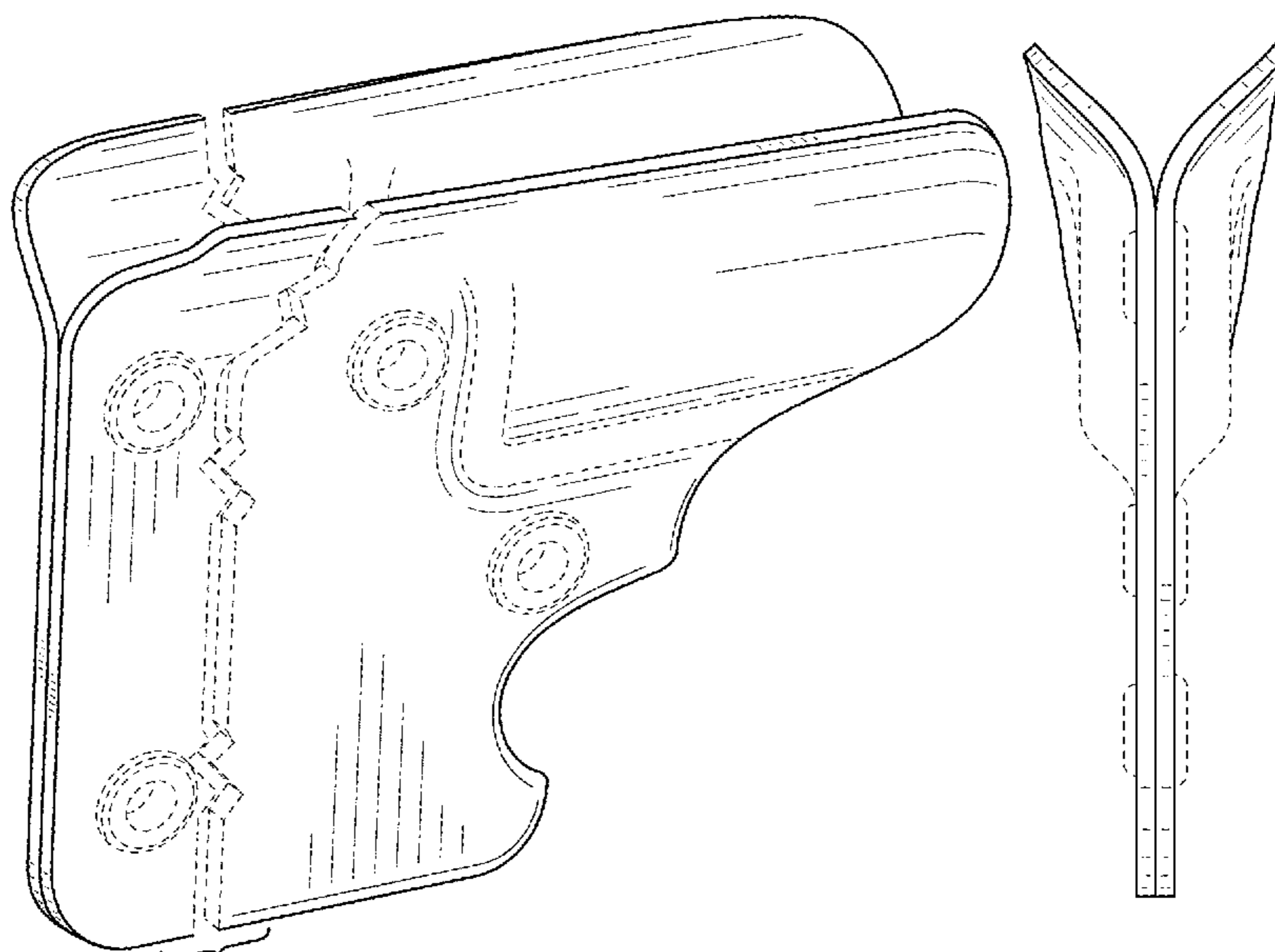
(57) **CLAIM**

The ornamental design for a pocket holster, as shown and described.

DESCRIPTION

FIG. 1 is a perspective view of a first embodiment of a pocket holster showing my new design; FIG. 2 is a rear elevational view thereof; FIG. 3 is a front elevational view thereof; FIG. 4 is a left elevational view thereof; FIG. 5 is a right elevational view thereof; FIG. 6 is a top plan view thereof; FIG. 7 is a bottom plan view thereof; FIG. 8 is a perspective view thereof shown with a GLOCK® 43 model handgun in broken lines to illustrate an environment of use; and, FIG. 9 is a perspective view of the pocket holster of FIG. 1 shown with a GLOCK® 43 model handgun and pant pocket in broken lines to illustrate an additional environment of use. The broken lines showing the circular eyelet features as well as the “L”-shaped features are included for the purpose of illustrating portions of the article; the broken lines showing a handgun and clothing in FIGS. 8 and 9 are included for the purpose of illustrating environmental structure; the jagged broken lines associated with a bracket are used to show boundaries of the claimed design where no portion(s) of the article within the boundary lines form(s) part of the claim; all broken lines form no part of the claimed design.

1 Claim, 5 Drawing Sheets



(56)

References Cited

U.S. PATENT DOCUMENTS

7,434,712 B2 * 10/2008 Cook F41C 33/0209
 224/193
 D668,453 S * 10/2012 Teichelman D3/222
 D681,943 S * 5/2013 Beard D3/222
 D718,523 S * 12/2014 Cox D3/222
 9,347,741 B2 * 5/2016 Wegner F41C 33/0227
 D798,585 S * 10/2017 Laemmlen D3/222
 D806,382 S * 1/2018 Beard D3/222
 D822,381 S * 7/2018 Song D3/222
 D830,687 S * 10/2018 Sciacca D3/222
 D835,399 S * 12/2018 Sereday D3/222
 D837,926 S * 1/2019 Christian D22/108
 10,184,754 B2 * 1/2019 Laemmlen A45F 5/02
 D840,492 S * 2/2019 Bowman D22/108
 10,240,894 B1 * 3/2019 Shows F41C 33/0218
 10,254,078 B2 * 4/2019 Lance F41C 33/0254
 10,330,435 B2 * 6/2019 McKendrick F41C 33/0227
 D853,110 S * 7/2019 Sereday D3/222

10,352,652 B2 * 7/2019 Higdon, Jr. F41C 33/046
 D863,755 S * 10/2019 Acuncius D3/222
 10,436,550 B2 * 10/2019 Lance F41C 33/0254
 D870,839 S * 12/2019 Cheng D22/108
 D871,057 S * 12/2019 Lance D3/222
 10,508,886 B2 * 12/2019 Shimek A47C 21/00

OTHER PUBLICATIONS

TFB Staffer, New DeSantis Holsters for Ruger LCP Custom, posted at The Firearm Blog, posting date Jul. 20, 2016. Site visited Mar. 28, 2019. URL: <<https://www.thefirearmblog.com/blog/2016/07/20/new-desantis-holsters-ruger-lcp-custom/>> (Year: 2016).*

Tuohy, Andrew, Prohibition-Themed Holsters from Flashbang Holsters, posted at The Firearm Blog, posting date May 5, 2013. Site visited Mar. 28, 2019. URL: <<https://www.thefirearmblog.com/blog/2013/05/05/prohibition-themed-holsters-looperflashbang/>> (Year: 2013).*

* cited by examiner

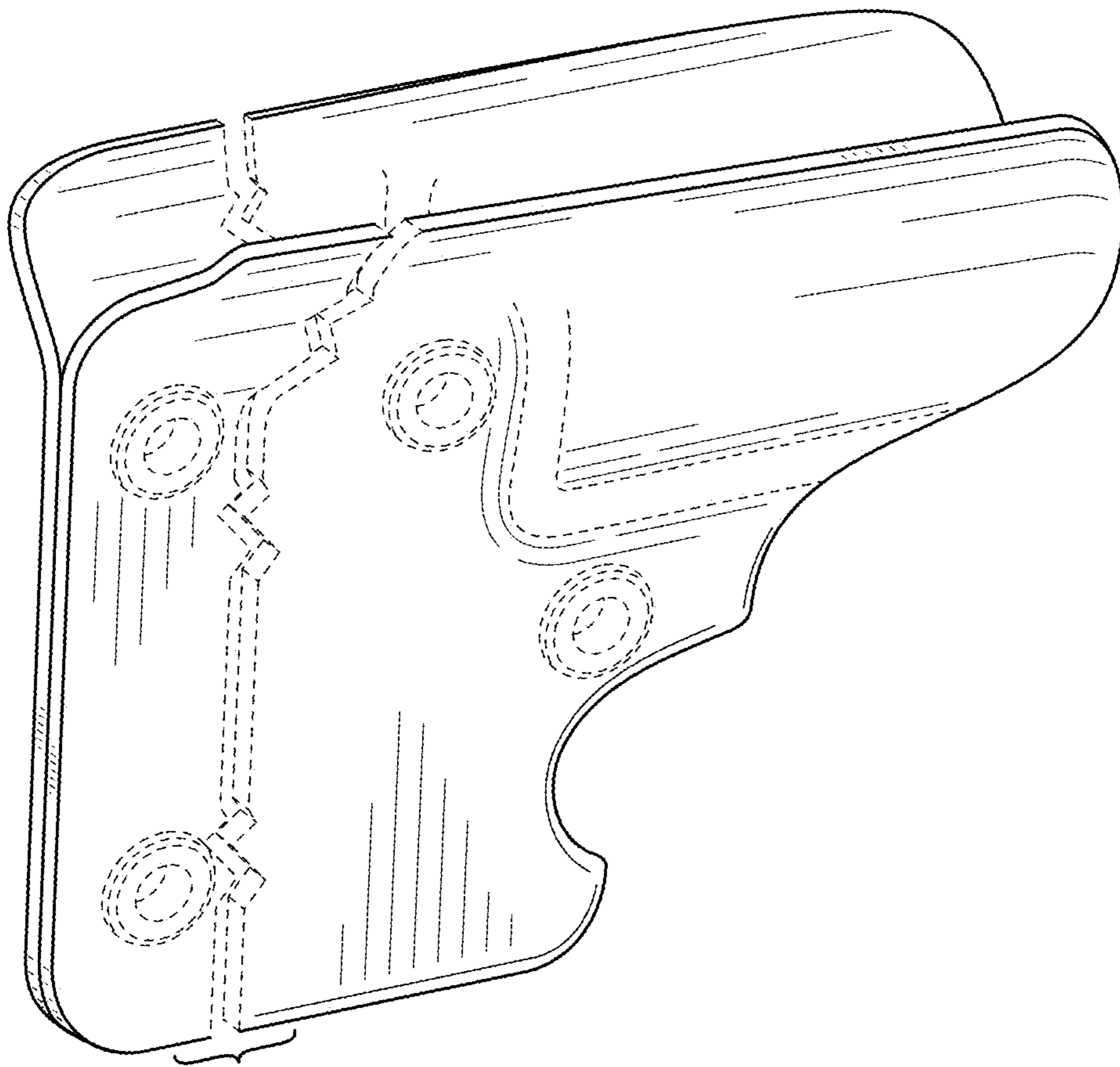


FIG. 1

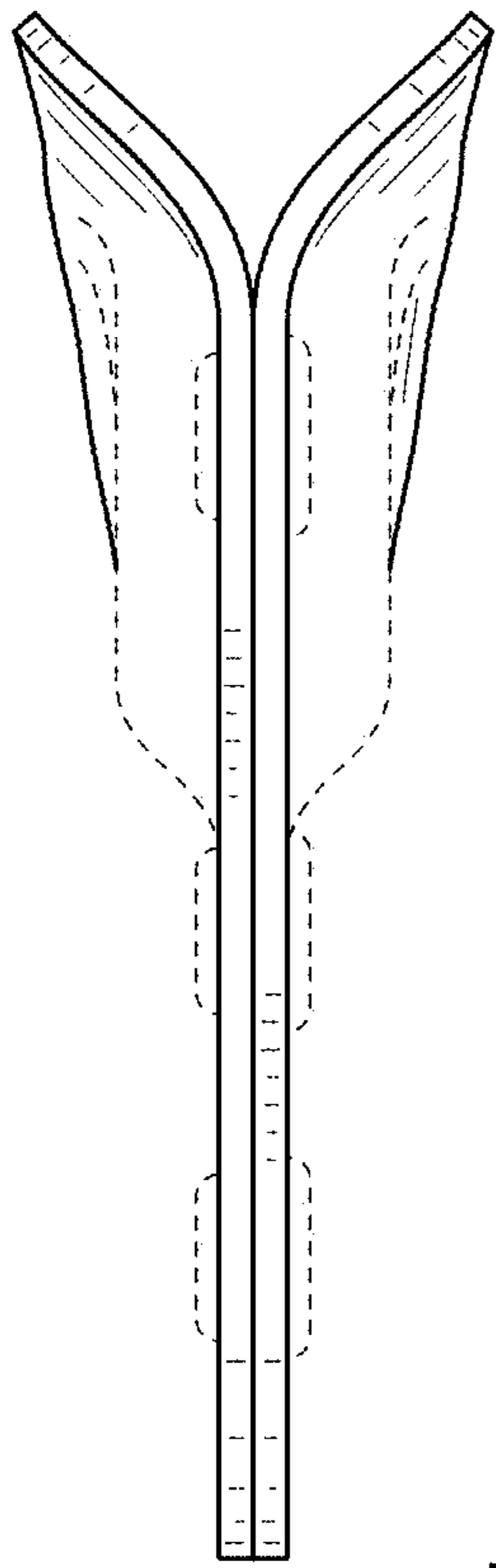


FIG. 2

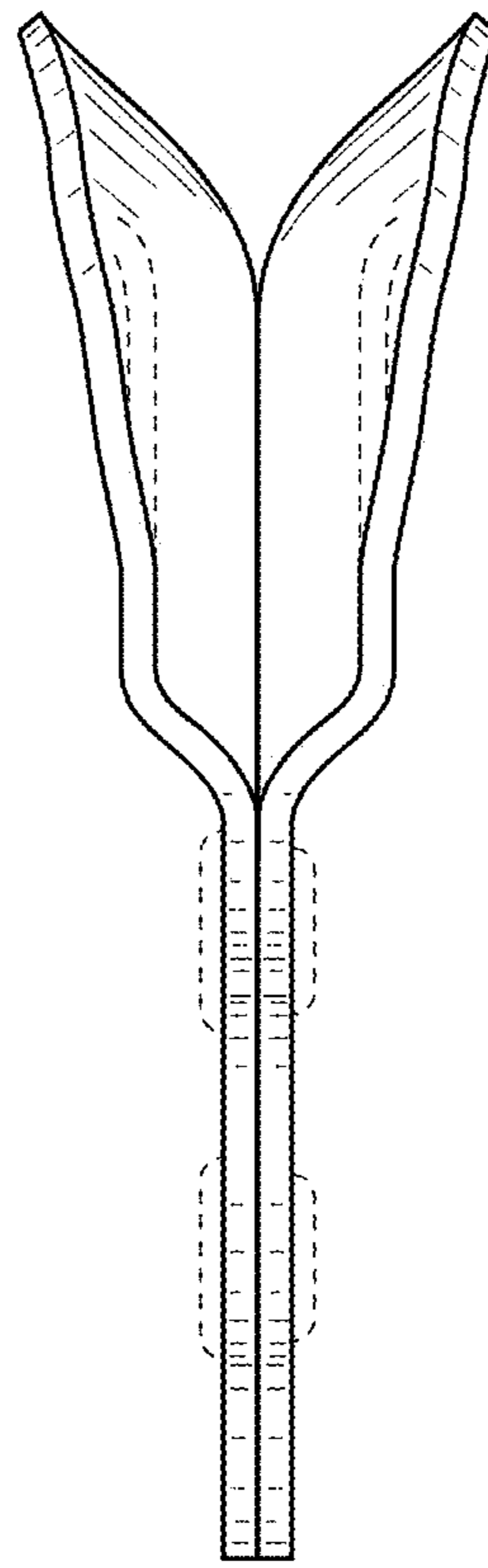


FIG. 3

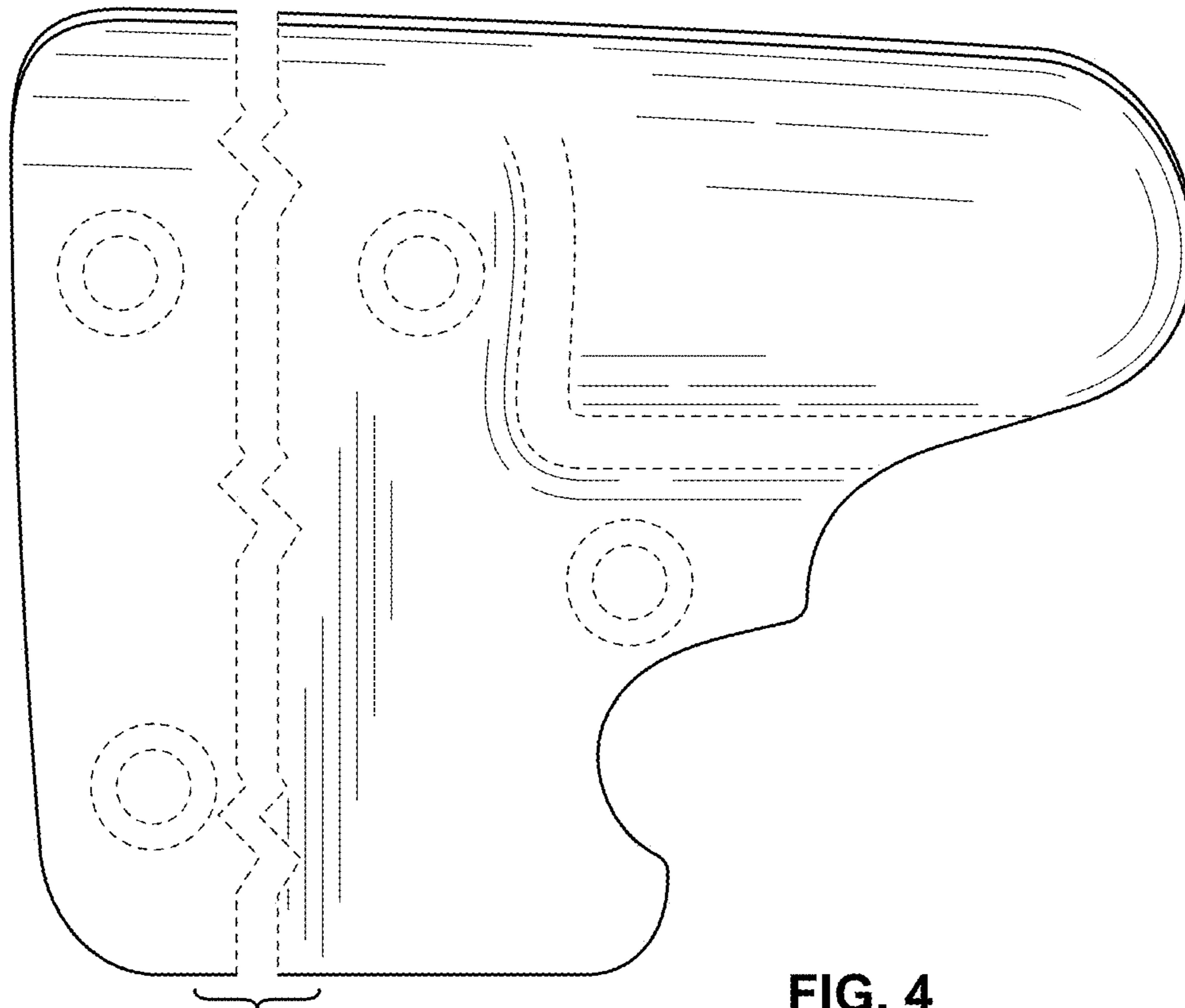


FIG. 4

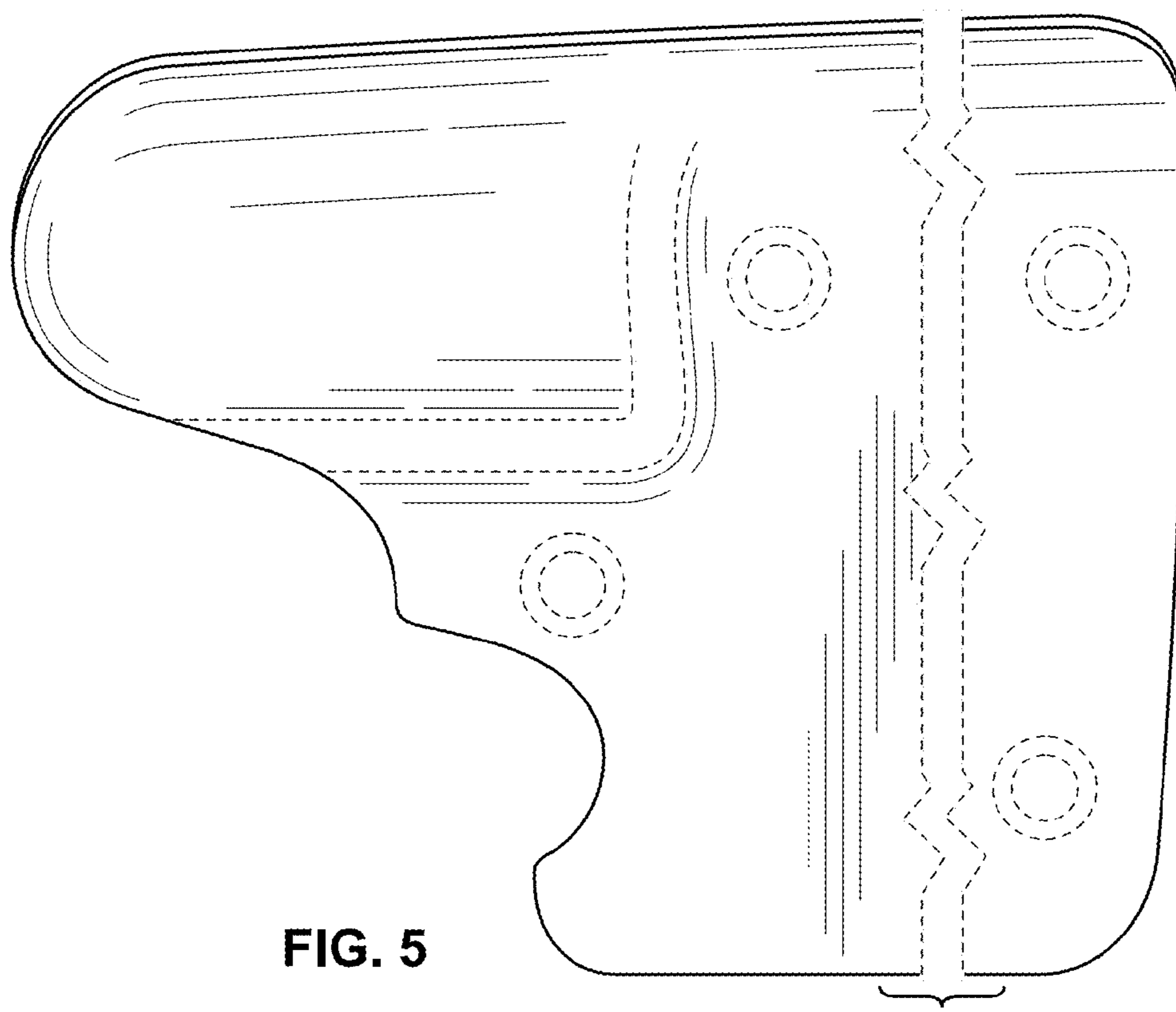


FIG. 5

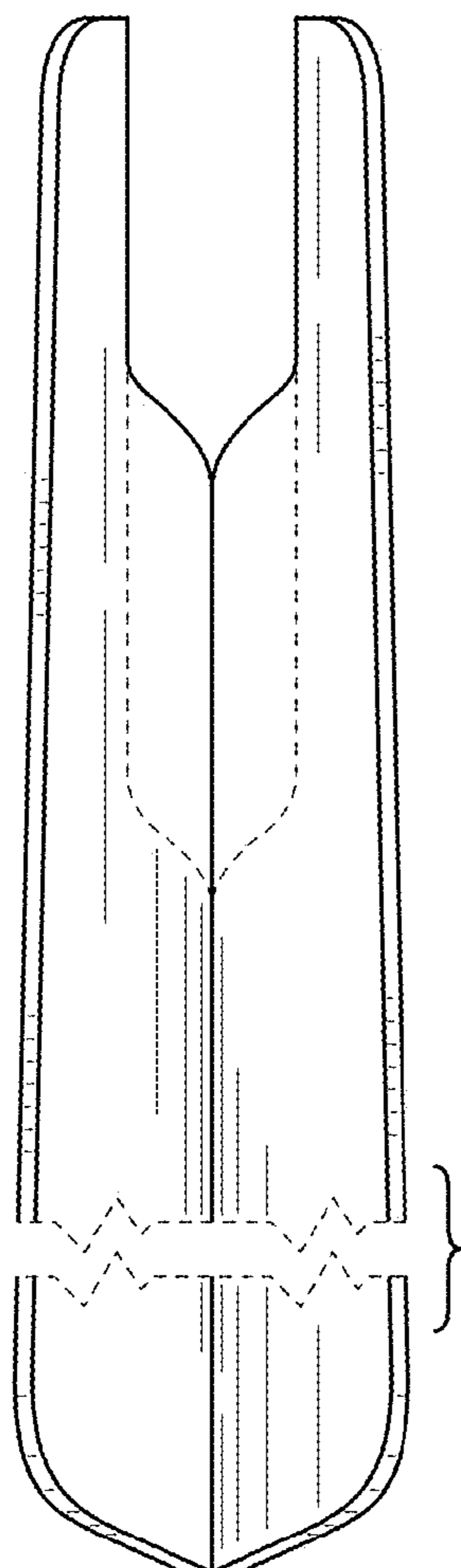


FIG. 6

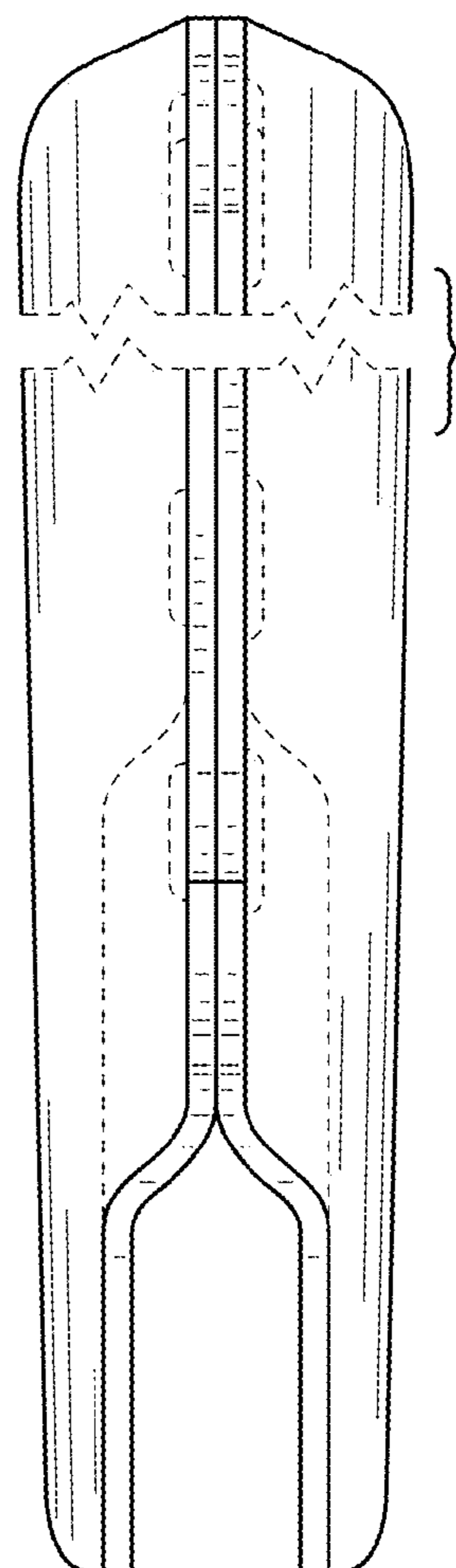


FIG. 7

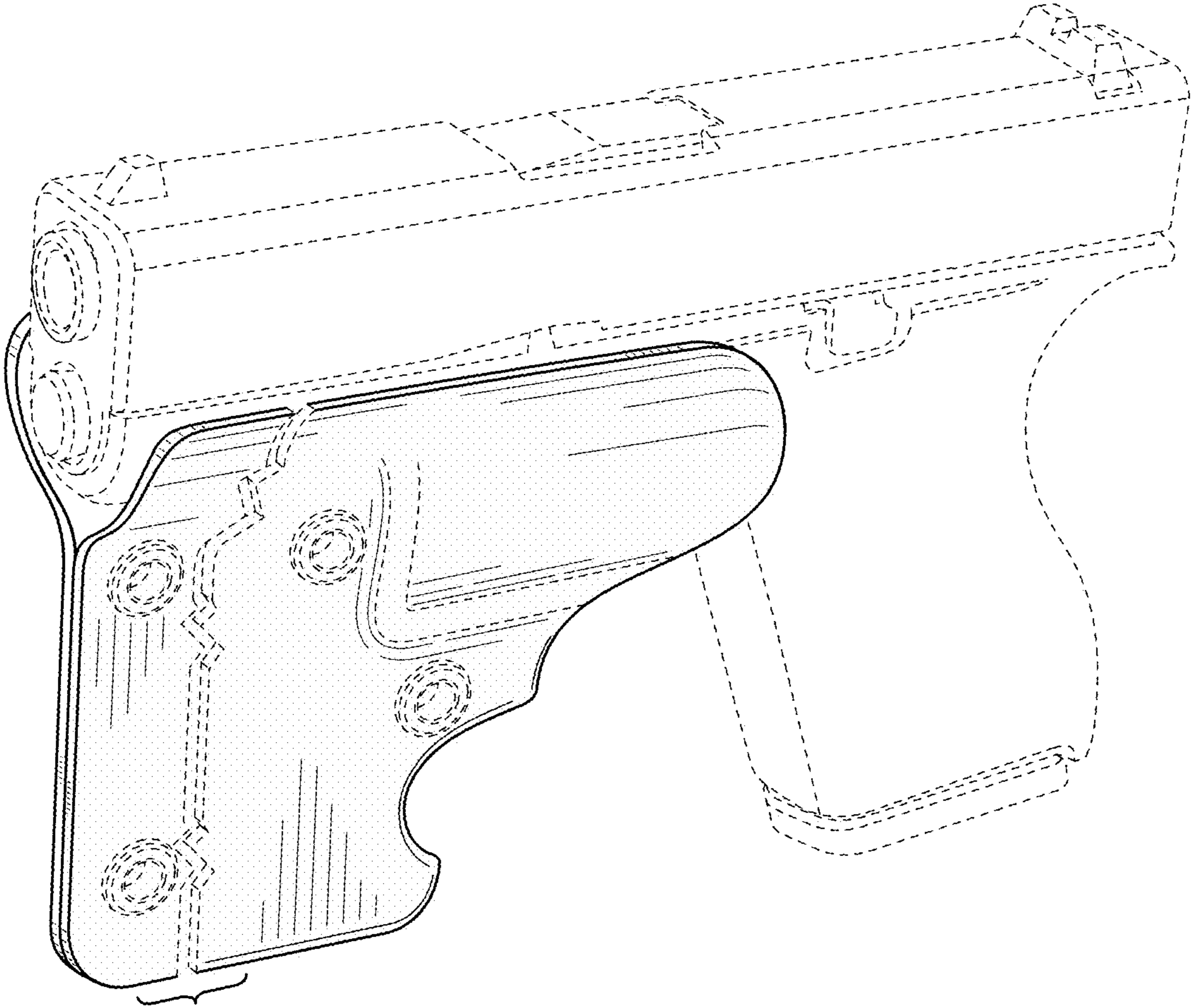


FIG. 8

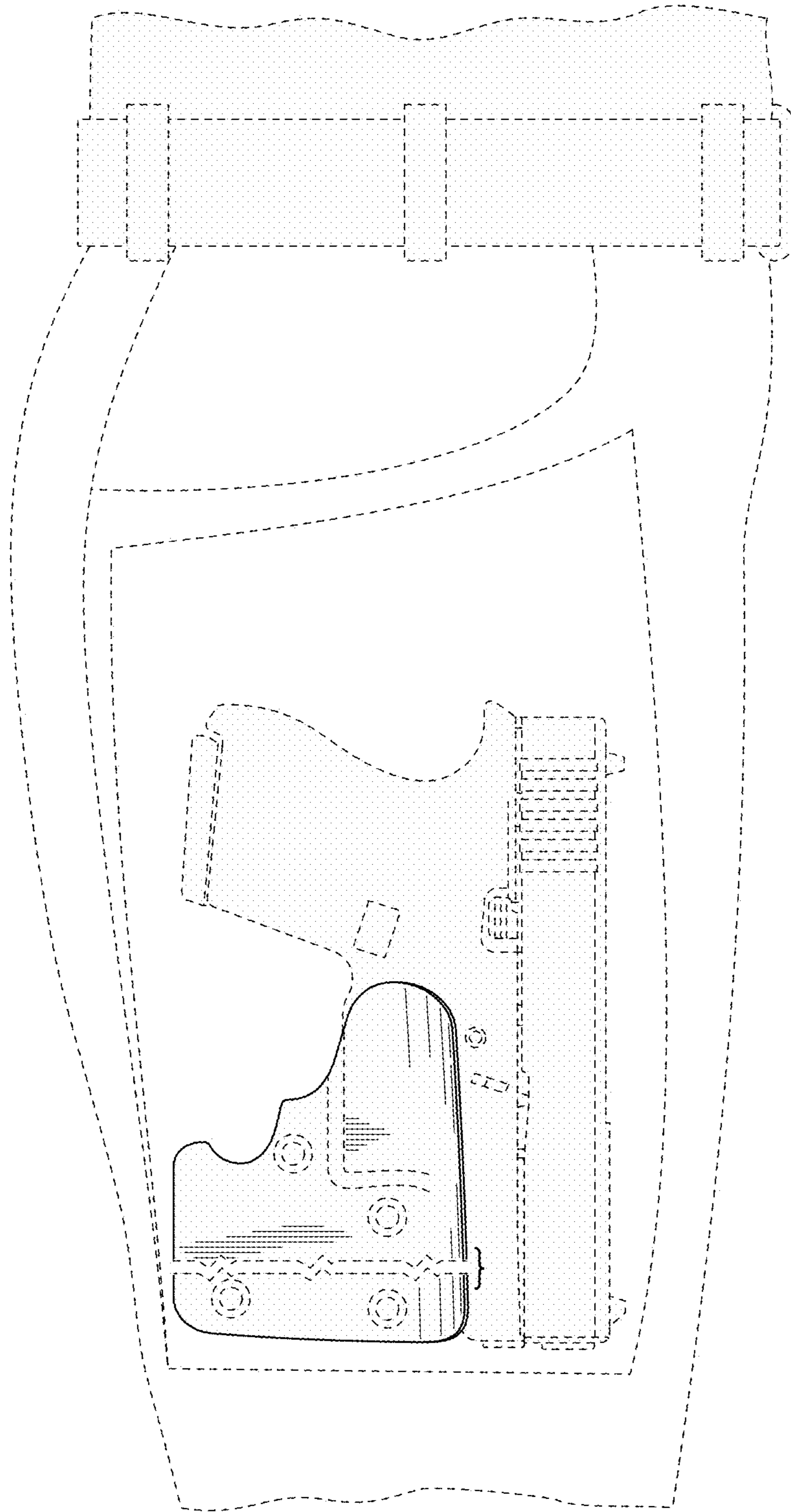


FIG. 9