



US00D885753S

(12) **United States Design Patent**  
**Stewart**

(10) **Patent No.:** **US D885,753 S**  
(45) **Date of Patent:** **\*\* \*Jun. 2, 2020**

(54) **CELL PHONE HOLSTER**  
(71) Applicant: **Joe Stewart**, Renton, WA (US)  
(72) Inventor: **Joe Stewart**, Renton, WA (US)  
(\* ) Notice: This patent is subject to a terminal disclaimer.  
(\*\*) Term: **15 Years**

D490,237 S 5/2004 Hardge  
6,880,737 B2 4/2005 Bauer  
D631,650 S \* 2/2011 Li ..... D3/218  
D720,924 S \* 1/2015 Emmitt ..... D3/218  
D723,795 S \* 3/2015 Kalbach ..... D3/218  
D818,263 S \* 5/2018 Broadhurst ..... D3/218  
D830,055 S \* 10/2018 Miller ..... D3/218  
2002/0130150 A1 9/2002 Stanley  
2006/0243771 A1 11/2006 Davilia  
2007/0205244 A1 9/2007 Hewes

(21) Appl. No.: **29/647,632**  
(22) Filed: **May 15, 2018**  
(51) **LOC (12) Cl.** ..... **03-01**  
(52) **U.S. Cl.**  
USPC ..... **D3/218**  
(58) **Field of Classification Search**  
USPC ..... D3/218, 215, 224, 226, 221, 222-223;  
224/901, 904, 219, 222, 267, 269, 624,  
224/191-193, 198, 236, 242-243,  
224/911-912, 245, 605, 197  
CPC .... A45F 5/00; A45F 5/02; A45F 5/021; A45F  
2200/0516; A45F 3/02; A45F 3/14; A45F  
2011/002; A45F 11/00  
See application file for complete search history.

**FOREIGN PATENT DOCUMENTS**

WO 2004037710 A 5/2004  
\* cited by examiner

*Primary Examiner* — Catherine R Oliver-Garcia

(56) **References Cited**  
**U.S. PATENT DOCUMENTS**  
6,375,056 B1 4/2002 Henri  
D467,727 S 12/2002 Kobayashi

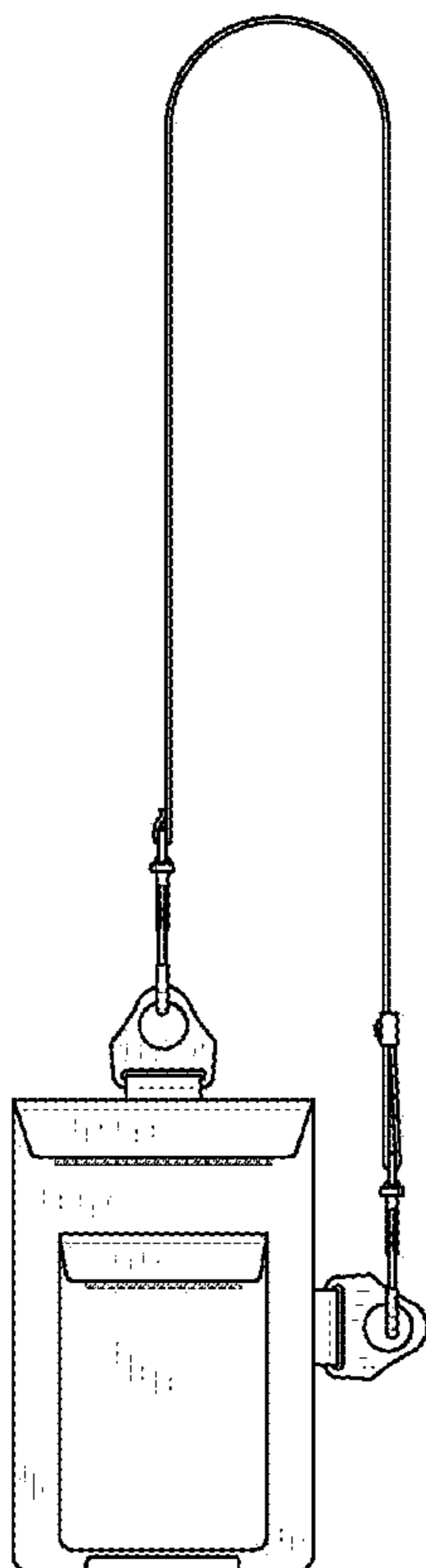
(57) **CLAIM**

I claim the ornamental design for a cell phone holster, as shown and described.

**DESCRIPTION**

FIG. 1 is a front view of the cell phone holster.  
FIG. 2 is a rear view of the claimed design.  
FIG. 3 is a right side view of the claimed design.  
FIG. 4 is a left side view of the claimed design.  
FIG. 5 is a top view of the claimed design; and,  
FIG. 6 is a bottom view of the claimed design.

**1 Claim, 4 Drawing Sheets**



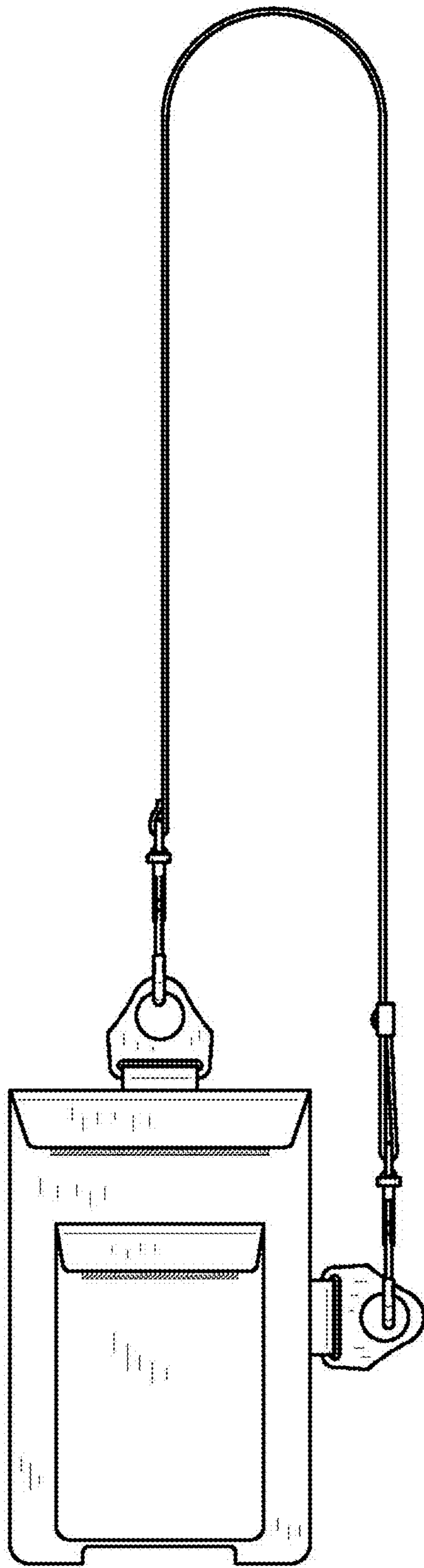


FIG. 1

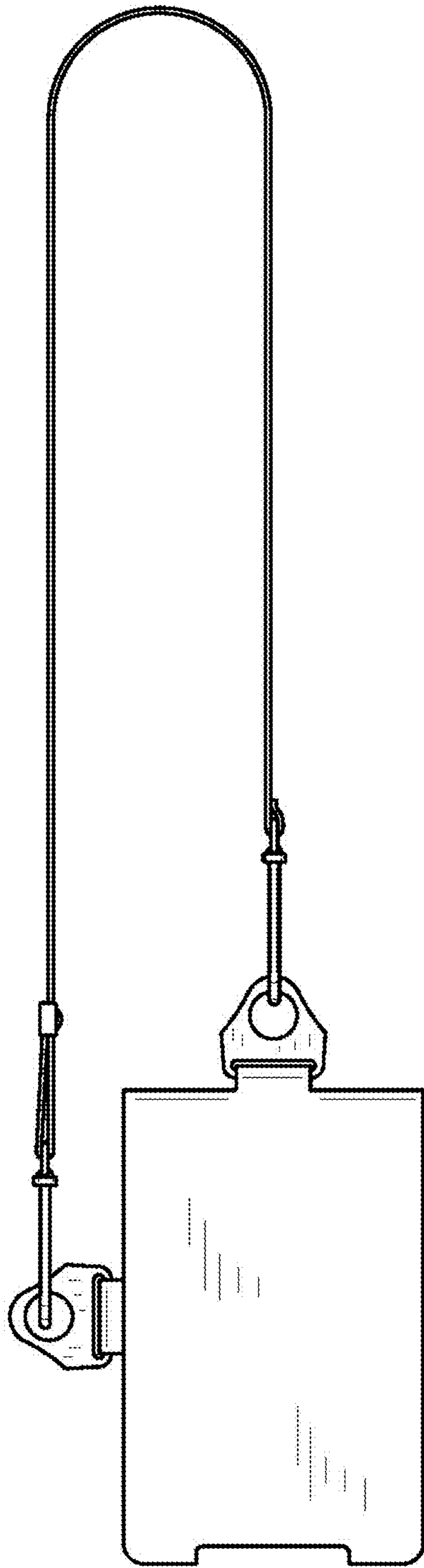


FIG. 2

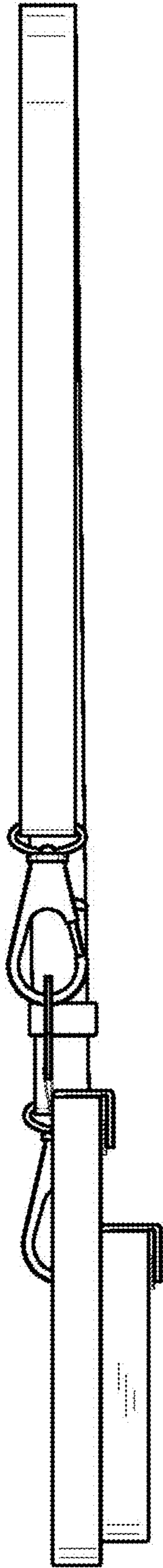


FIG. 3

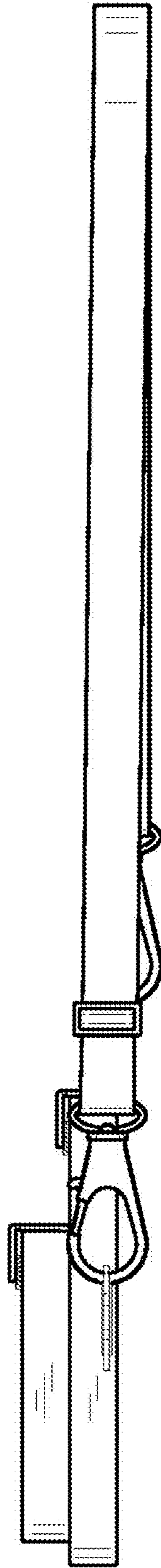


FIG. 4

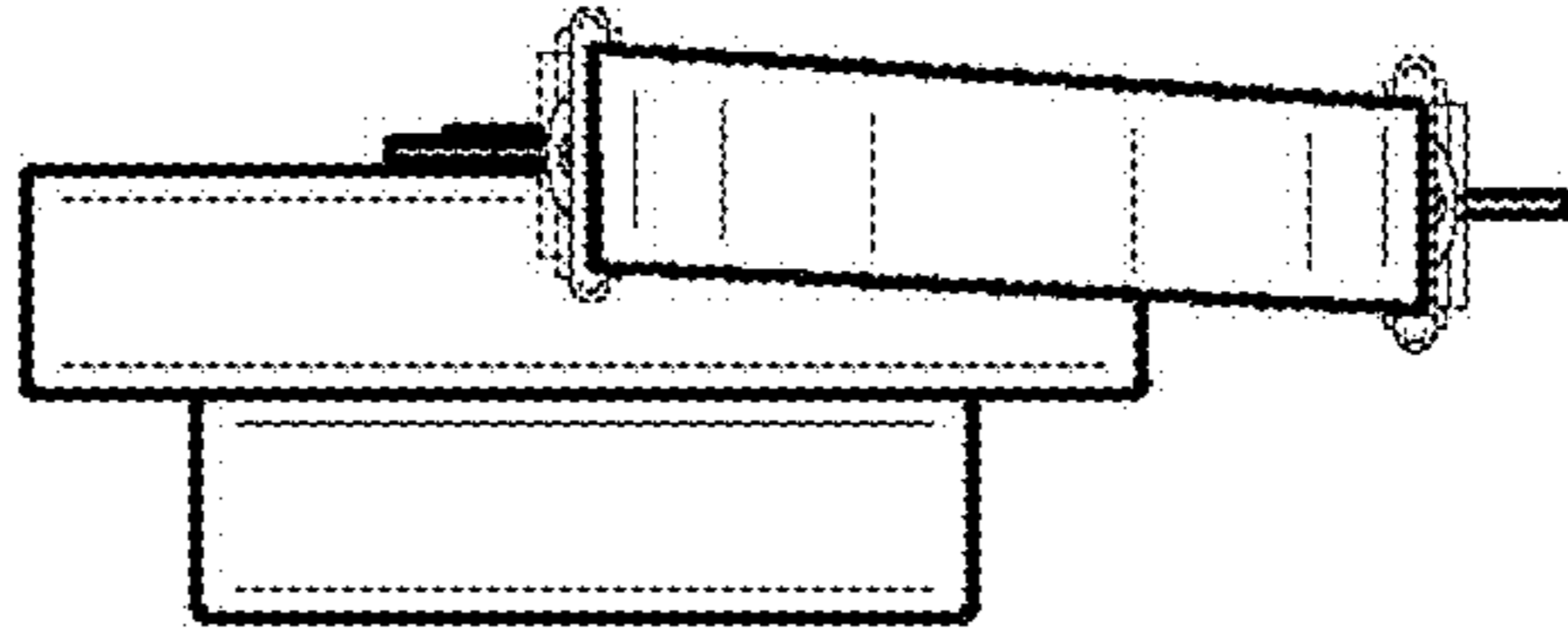


FIG. 5

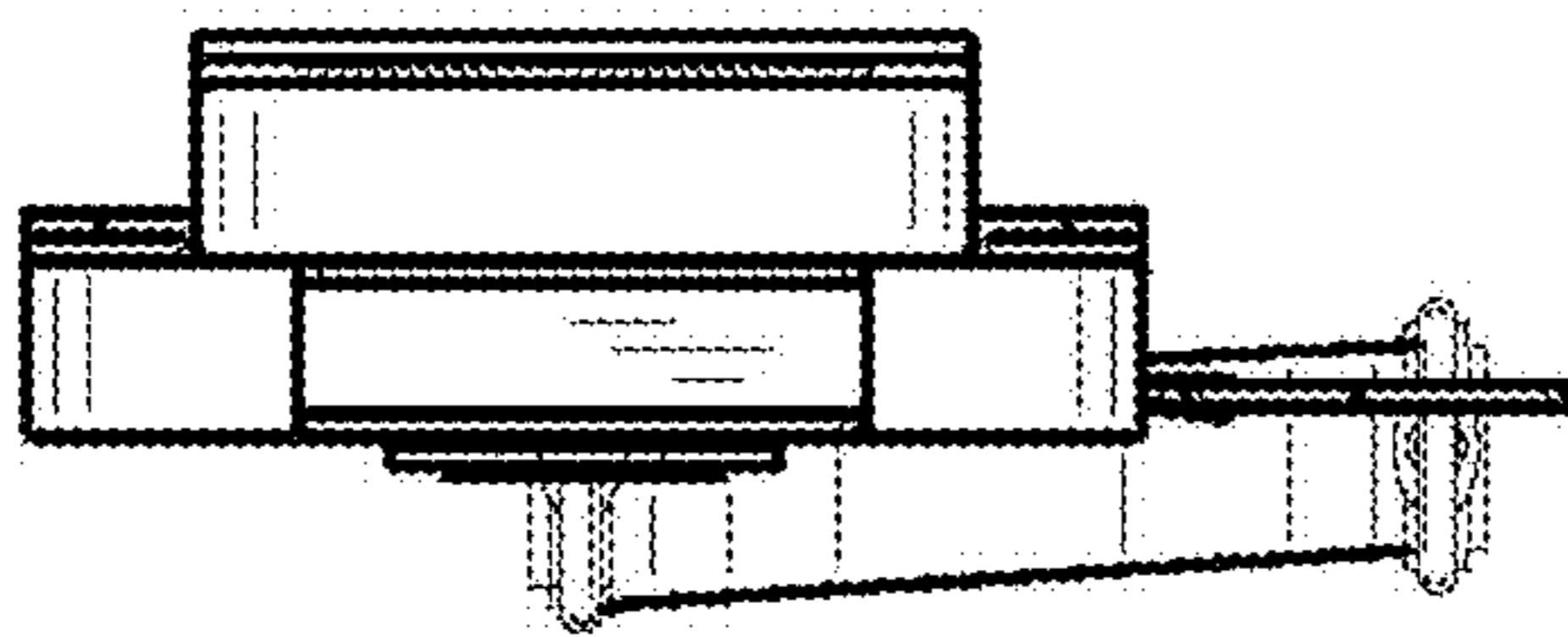


FIG. 6