



US00D885750S

(12) **United States Design Patent**
Mudrick et al.

(10) **Patent No.:** **US D885,750 S**
(45) **Date of Patent:** **** Jun. 2, 2020**

(54) **KEYCHAIN**

(71) Applicant: **Orion Photo Industries, Inc.**, Prescott, AZ (US)

(72) Inventors: **David Mudrick**, Prescott, AZ (US);
Sheldon Morick, Calabasas, CA (US)

(73) Assignee: **ORION PHOTO INDUSTRIES, INC.**, Prescott, AZ (US)

(**) Term: **15 Years**

(21) Appl. No.: **29/694,370**

(22) Filed: **Jun. 10, 2019**

(51) **LOC (12) Cl.** **03-01**

(52) **U.S. Cl.**
USPC **D3/207**

(58) **Field of Classification Search**
USPC D3/207-212; D8/38, 347, 348;
70/456 B, 457, 458, 456 R, 408;
206/37.1, 37; 24/706, 706.2, 709.9, 3.6;
D11/1-2, 14, 26-29, 89-92, 40, 43, 44,
D11/48, 79, 81, 99, 202, 121, 125, 149,
D11/157; 63/26-28, 32, 33; D21/576,
D21/593, 594, 604, 605, 609, 610, 611,
D21/617, 659, 660, 656, 658; D10/104.1,
D10/106.4; D13/168
CPC A45C 11/32; A47G 29/10; H04B 1/034;
F04B 15/00; E05B 19/04; A44B 15/00;
A44B 15/002; A44B 15/005; A44B
15/007
See application file for complete search history.

(56) **References Cited**

U.S. PATENT DOCUMENTS

D373,899 S * 9/1996 Huang D3/207
5,755,127 A * 5/1998 Huang A44B 15/002
70/456 R
D404,195 S * 1/1999 Beals D3/208

D412,344 S * 7/1999 Clark D19/73
D430,890 S * 9/2000 Cohen D17/22
D435,864 S * 1/2001 Cohen D19/142
D446,927 S * 8/2001 Rothschild D21/601
D469,715 S * 2/2003 Wallner D11/79
D484,306 S * 12/2003 Lau D3/208
D496,077 S * 9/2004 Rutherford D21/623
D508,314 S * 8/2005 Saruhashi D3/211
D508,768 S * 8/2005 Safdieh D21/617
D519,729 S * 5/2006 Gotlieb D3/211
D577,486 S * 9/2008 Kudarauskas D3/211

(Continued)

OTHER PUBLICATIONS

Disney Mickey Mouse Ears Foam Keychain (Green), Amazon.com, Date First Available: Jul. 26, 2014, [online], [site visited Oct. 15, 2019]. <URL: <https://www.amazon.com/Disney-Mickey-Mouse-Keychain-GREEN/dp/B00M4UT5E6>> (Year: 2014).*

(Continued)

Primary Examiner — T Chase Nelson
Assistant Examiner — Jonathan J. Han
(74) *Attorney, Agent, or Firm* — Berg Hill Greenleaf Ruscitti LLP

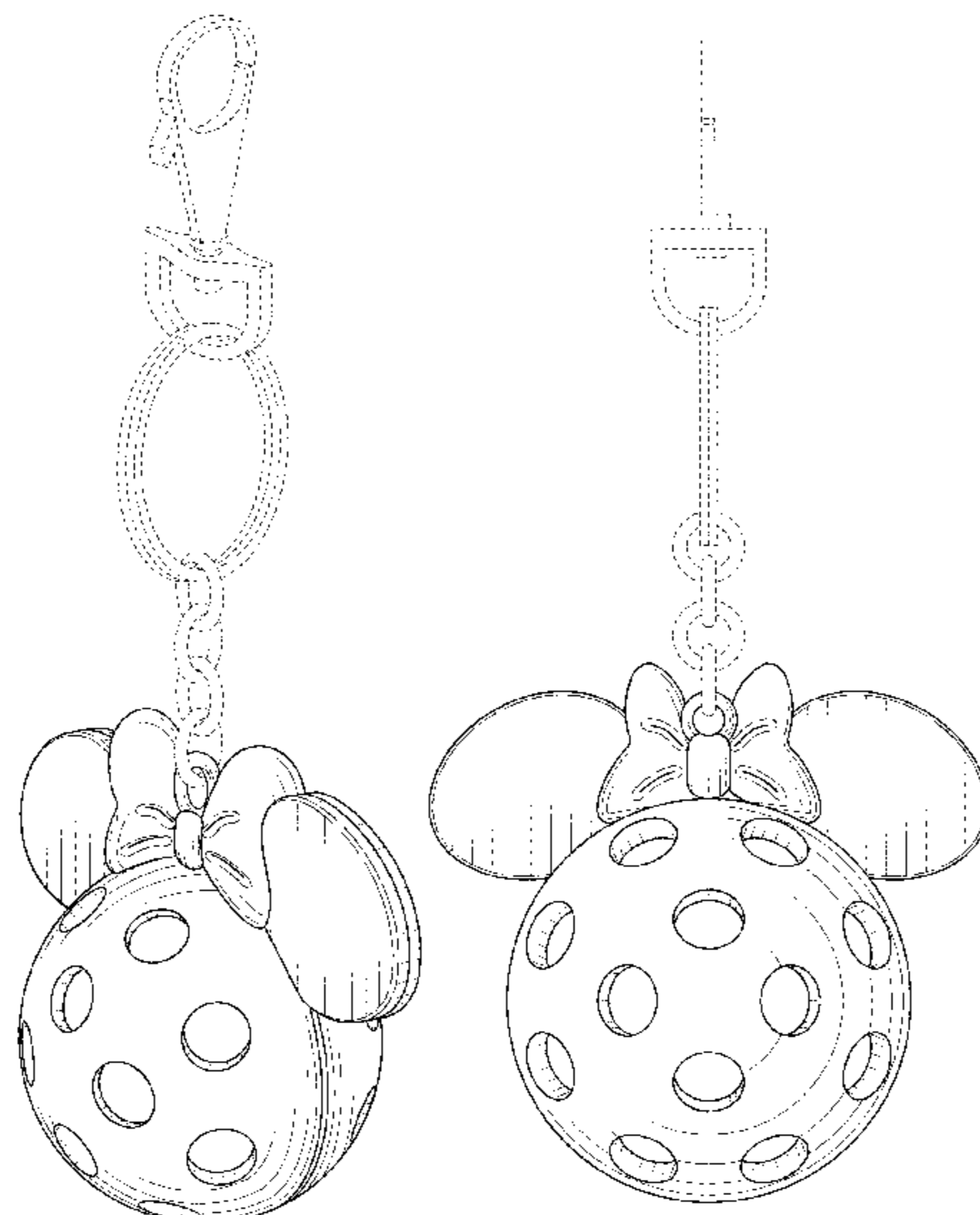
(57) **CLAIM**

The ornamental design for a keychain, as shown and described.

DESCRIPTION

FIG. 1 is a perspective view of a keychain;
FIG. 2 is a front view of a keychain;
FIG. 3 is a back view of a keychain;
FIG. 4 is a side view of a keychain;
FIG. 5 is a top view of a keychain; and,
FIG. 6 is a bottom view of a keychain thereof.
The broken lines in the drawings are included for the purpose of illustrating environmental subject matter and form no part of the claimed design.

1 Claim, 5 Drawing Sheets



(56)

References Cited

U.S. PATENT DOCUMENTS

D597,886	S	*	8/2009	Styles	D11/158
D606,131	S	*	12/2009	Ajitsu	D21/578
D608,510	S	*	1/2010	Rutherford	D21/576
D620,386	S	*	7/2010	Deruelles	D11/82
D631,786	S	*	2/2011	Palmer	D11/158
D644,427	S	*	9/2011	Cunningham	D3/208
D685,282	S	*	7/2013	Katoh	D11/1
D758,854	S	*	6/2016	Huang	D21/656
D758,855	S	*	6/2016	Huang	D21/656
D778,594	S	*	2/2017	Sanders	D3/207
D793,102	S	*	8/2017	George, II	D6/351
D819,759	S	*	6/2018	Yen	D21/714
D825,536	S	*	8/2018	Kirby	D14/228
D842,916	S	*	3/2019	Hathway	D16/203
D847,118	S	*	4/2019	Li	D14/207
D851,853	S	*	6/2019	Khan	D99/5
D854,098	S	*	7/2019	Jiang	D21/604
D860,637	S	*	9/2019	Sanders	D3/207
D863,453	S	*	10/2019	Xu	D21/401

OTHER PUBLICATIONS

Hot new wholesale alibaba animal head keyring product fabric key accessory lovely white black felt keychain made in China, Alibaba.com, [online], [site visited Oct. 15, 2019]. <URL: https://www.alibaba.com/product-detail/Hot-new-wholesale-alibaba-animal-head_60026876034.html> (Year: 2019).*

QZUnique Women 3D Animal Head Chain Crossbody Bag Shoulder Handbag Zipper Purse, Overstock.com, [online], [site visited Oct. 15, 2019]. <URL: <https://www.overstock.com/Clothing-Shoes/QZUnique-Women-3D-Animal-Head-Chain-Crossbody-Bag-Shoulder-Handbag-Zipper-Purse/23456480/product.html>> (Year: 2019).*

Disney Minnie and Mickey Mouse Glass Christmas Ornament, Amazon.com, Date First Available: Sep. 29, 2015, [online], [site visited Oct. 15, 2019]. <URL: https://www.amazon.com/Disney-Minnie-Mickey-Christmas-Ornament/dp/B015473EEW?ref_=fsclp_pl_dp_4> (Year: 2015).*

* cited by examiner

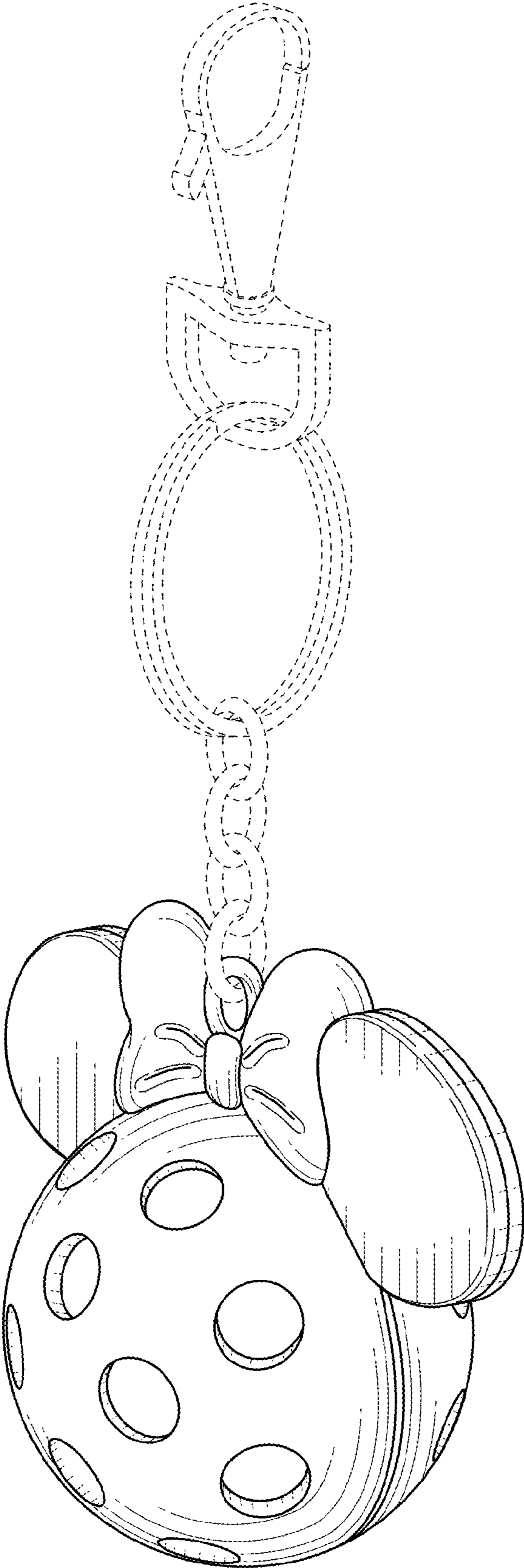


FIG. 1

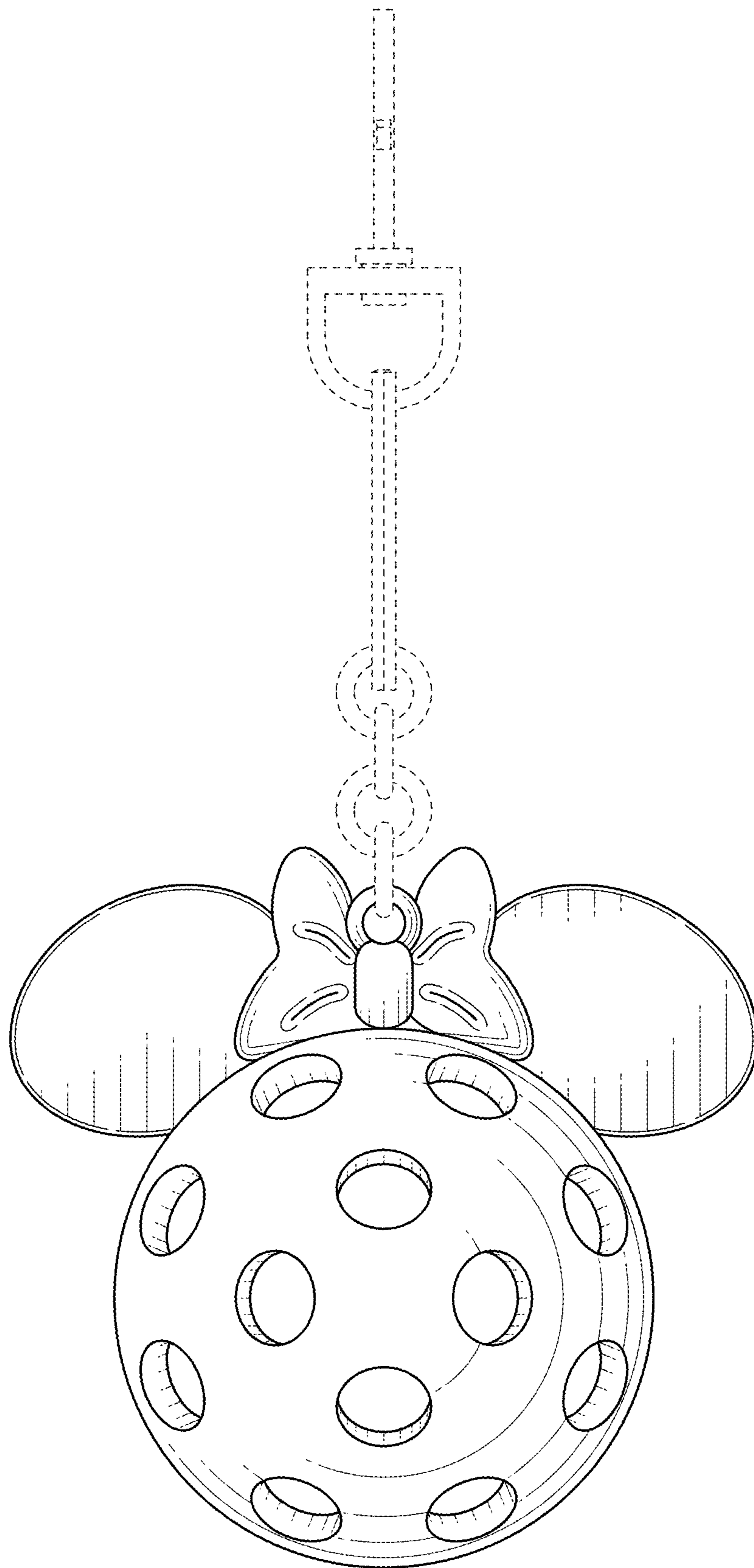


FIG. 2

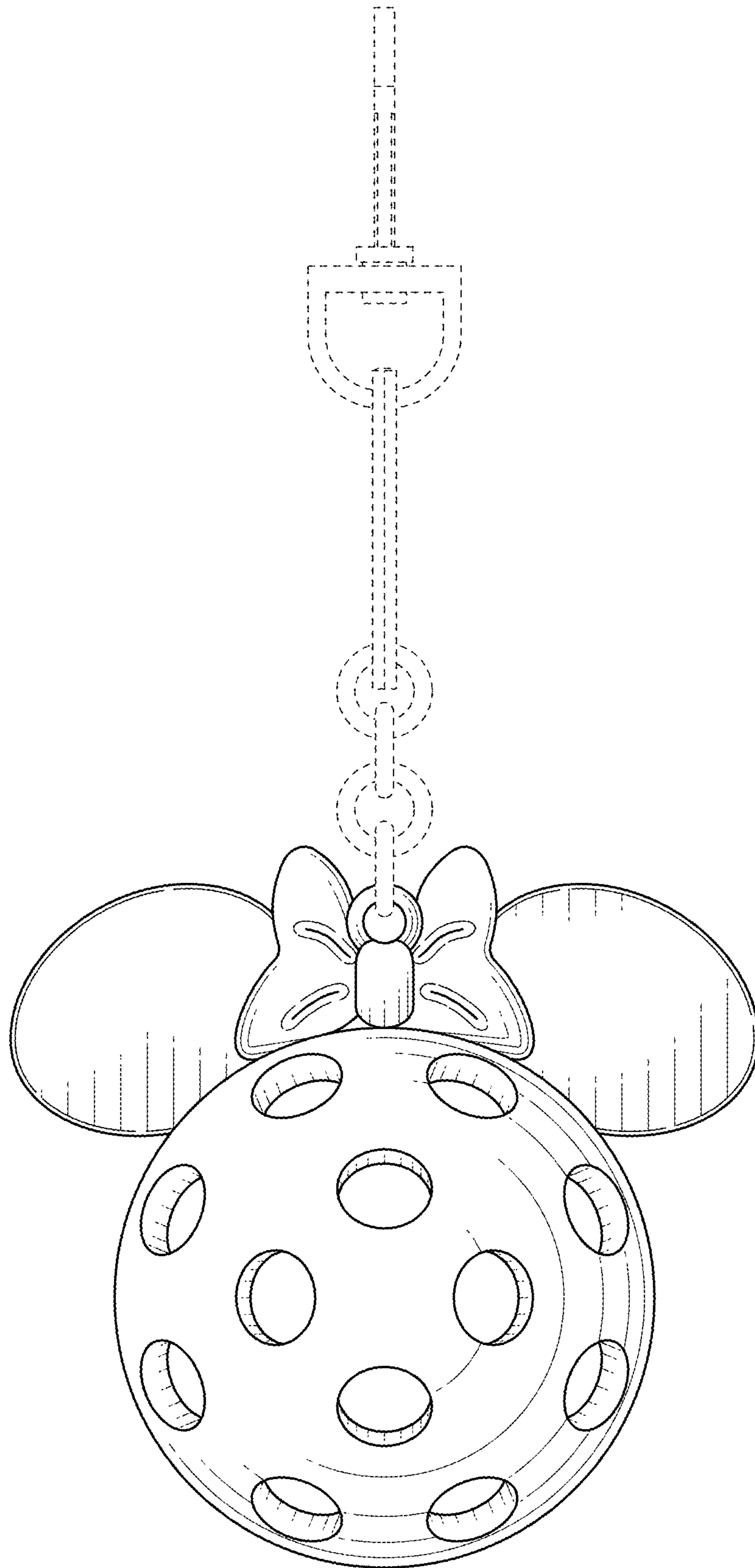


FIG. 3

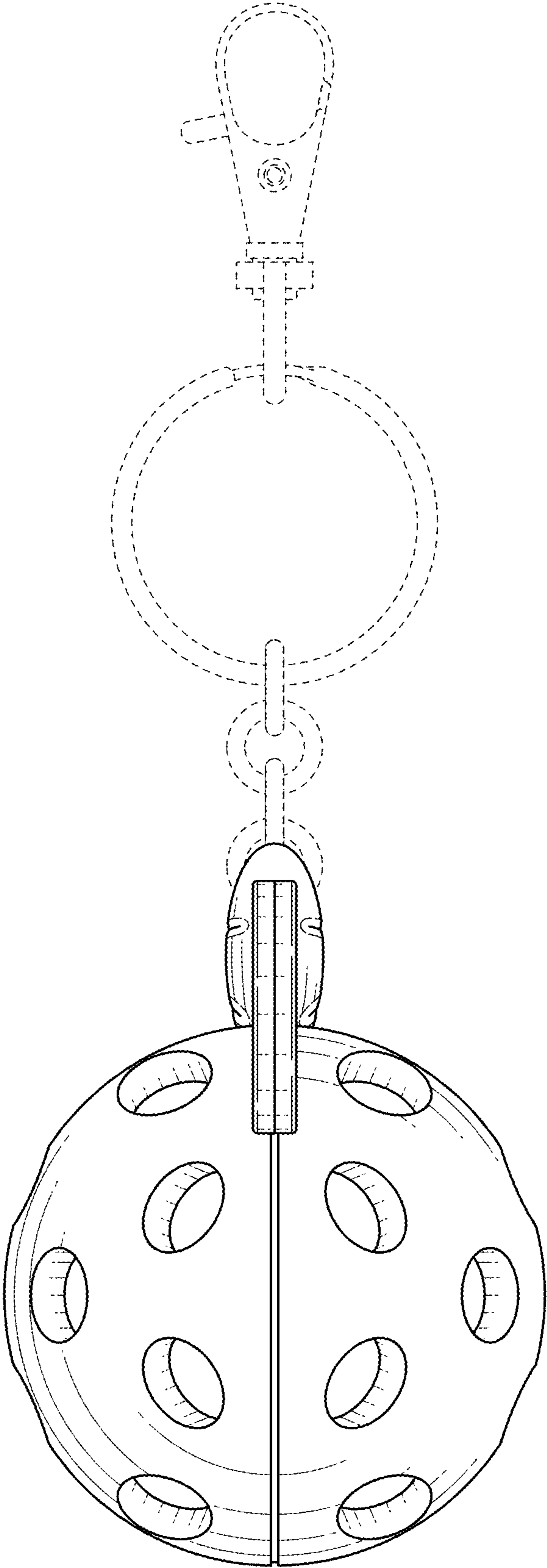


FIG. 4

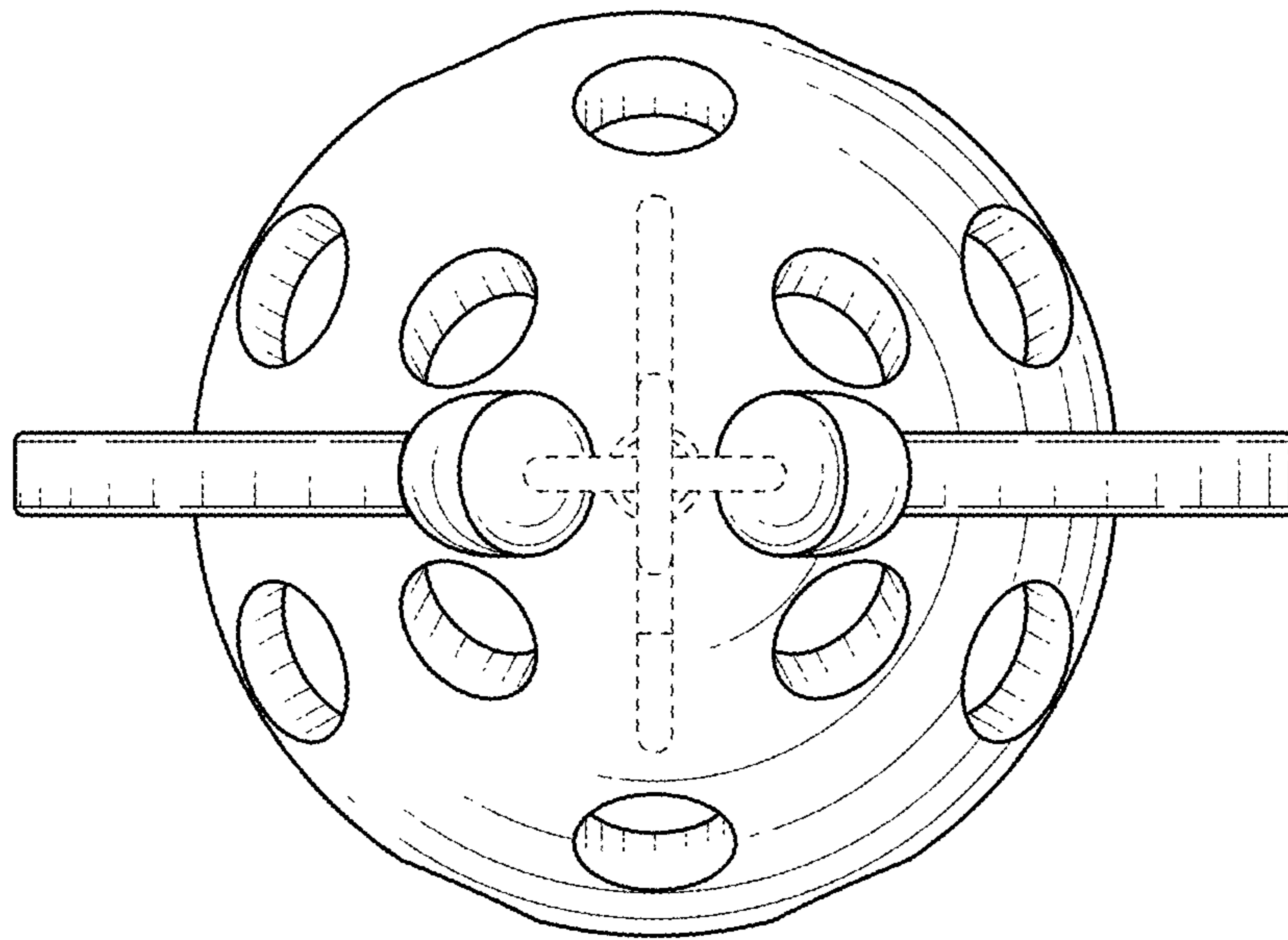


FIG. 5

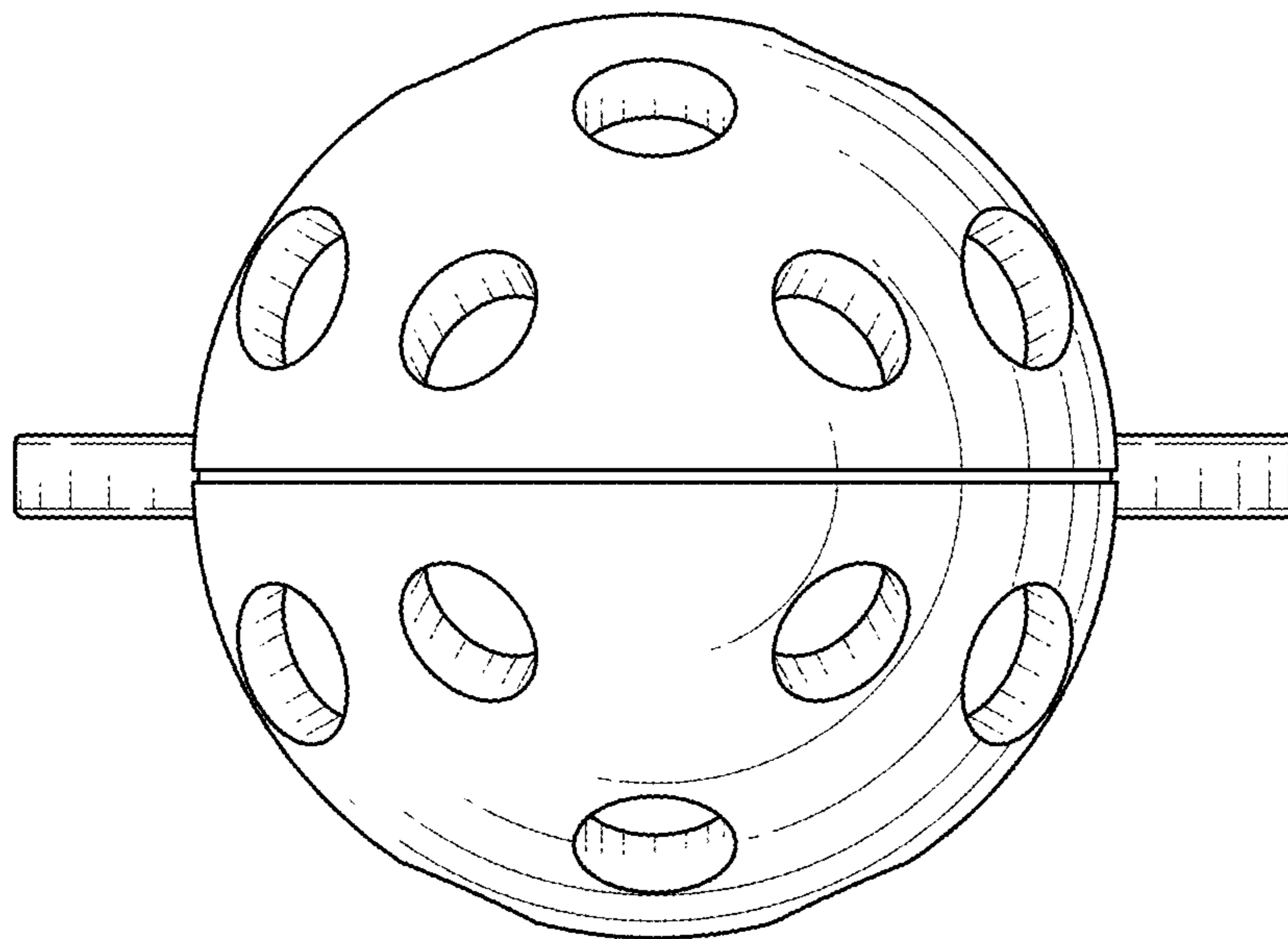


FIG. 6