



US00D885747S

(12) **United States Design Patent** (10) **Patent No.:** **US D885,747 S**
Musini Traglio (45) **Date of Patent:** **** *Jun. 2, 2020**

- (54) **ROBOTIC PILL DISPENSER**
- (71) Applicant: **Pillo, Inc.**, Boston, MA (US)
- (72) Inventor: **Carlo Emanuele Musini Traglio**, Boston, MA (US)
- (73) Assignee: **Pillo, Inc.**, Boston, MA (US)
- (*) Notice: This patent is subject to a terminal disclaimer.
- (**) Term: **15 Years**
- (21) Appl. No.: **29/562,757**
- (22) Filed: **Apr. 28, 2016**
- (51) **LOC (12) Cl.** **03-01**
- (52) **U.S. Cl.**
USPC **D3/203.2**
- (58) **Field of Classification Search**
USPC D3/201, 203.1, 203.2, 203.4;
D6/512, 515
CPC A61J 1/03; A61J 7/0076; B65D 83/04;
B65D 83/0409; B65D 83/0445
See application file for complete search history.

- 7,946,448 B1 * 5/2011 Madey B65D 83/0463
206/531
 - D640,050 S * 6/2011 Barrass D3/203.4
 - D705,566 S * 5/2014 Morand D6/515
 - D705,567 S * 5/2014 Morand D6/515
 - D717,069 S * 11/2014 Cheng D6/544
 - D781,064 S * 3/2017 Brownley D6/515
 - D785,314 S * 5/2017 Noble D3/203.2
 - D806,380 S * 1/2018 Hines D3/203.2
 - 2014/0309769 A1 * 10/2014 Wu A61J 7/0084
700/232
 - 2016/0001955 A1 * 1/2016 Wang B65D 83/0409
221/268
 - 2018/0029779 A1 * 2/2018 Go B65D 83/0481
- * cited by examiner

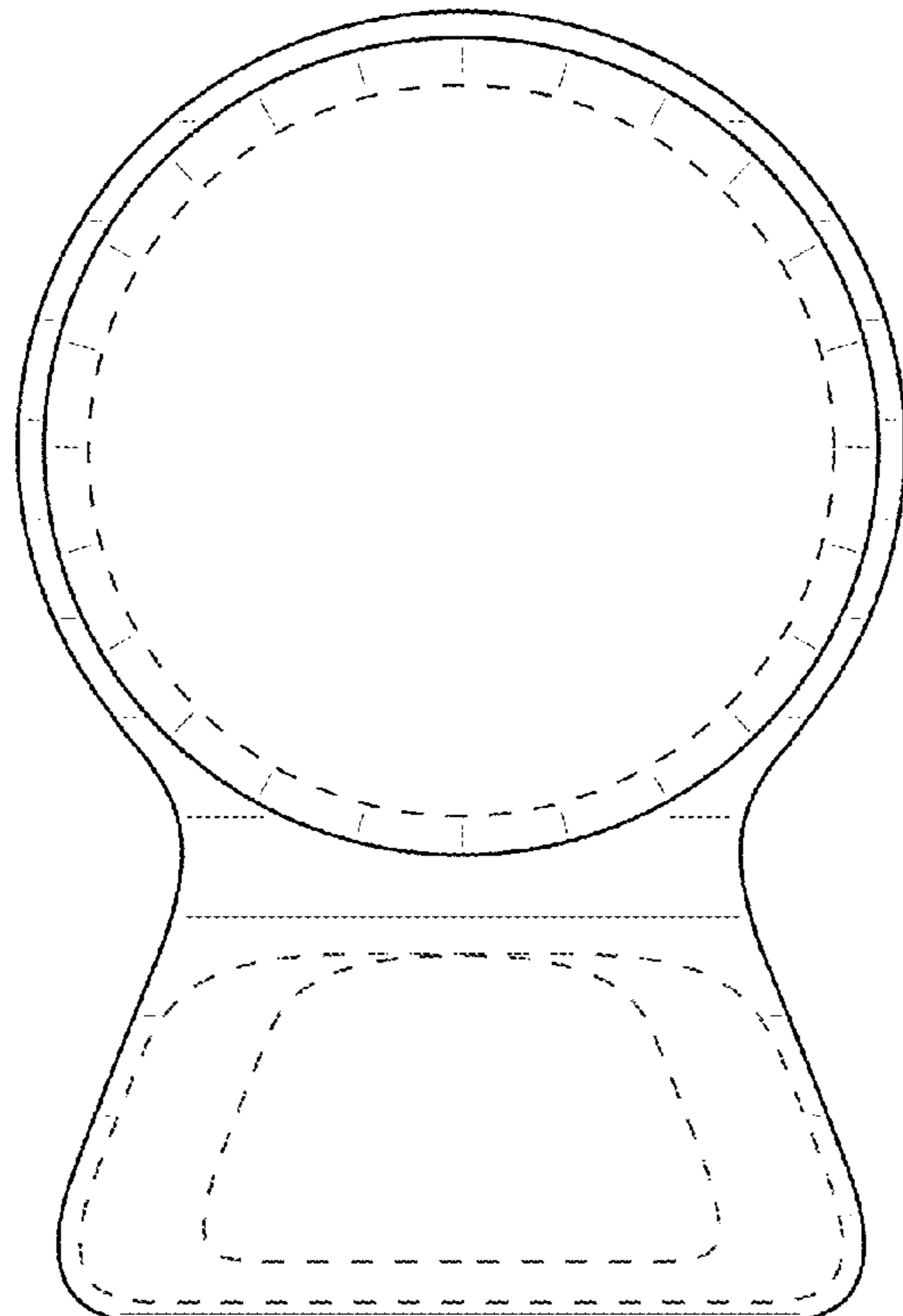
Primary Examiner — Steven J Czyz
(74) *Attorney, Agent, or Firm* — Wolf, Greenfield & Sacks, P.C.

(57) **CLAIM**
The ornamental design for a robotic pill dispenser, as shown and described.

DESCRIPTION
FIG. 1 is a top elevation view of a robotic pill dispenser; FIG. 2 is a rear elevation view thereof; FIG. 3 is a left side elevation view thereof; right side is a mirror image; and, FIG. 4 is a front side elevation view thereof. The broken lines shown in FIGS. 1-4 show portions of the robotic pill dispenser that form no part of the claimed design.

- (56) **References Cited**
U.S. PATENT DOCUMENTS
D392,843 S * 3/1998 Mulvihill D7/589
5,890,656 A * 4/1999 Fuhlbrigge F04C 15/0061
239/225.1
D459,987 S * 7/2002 Christianson D3/203.4

1 Claim, 4 Drawing Sheets



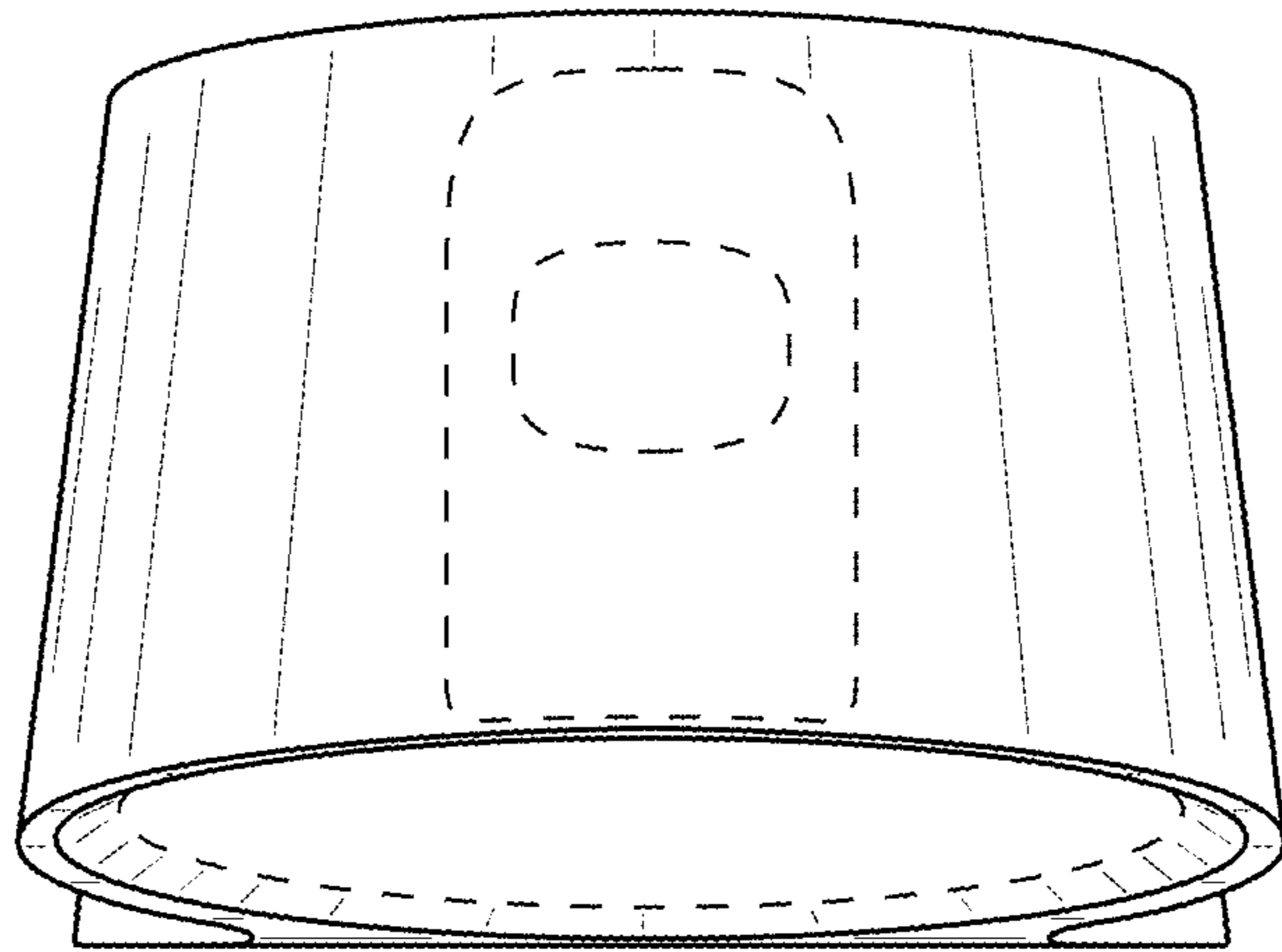


FIG. 1

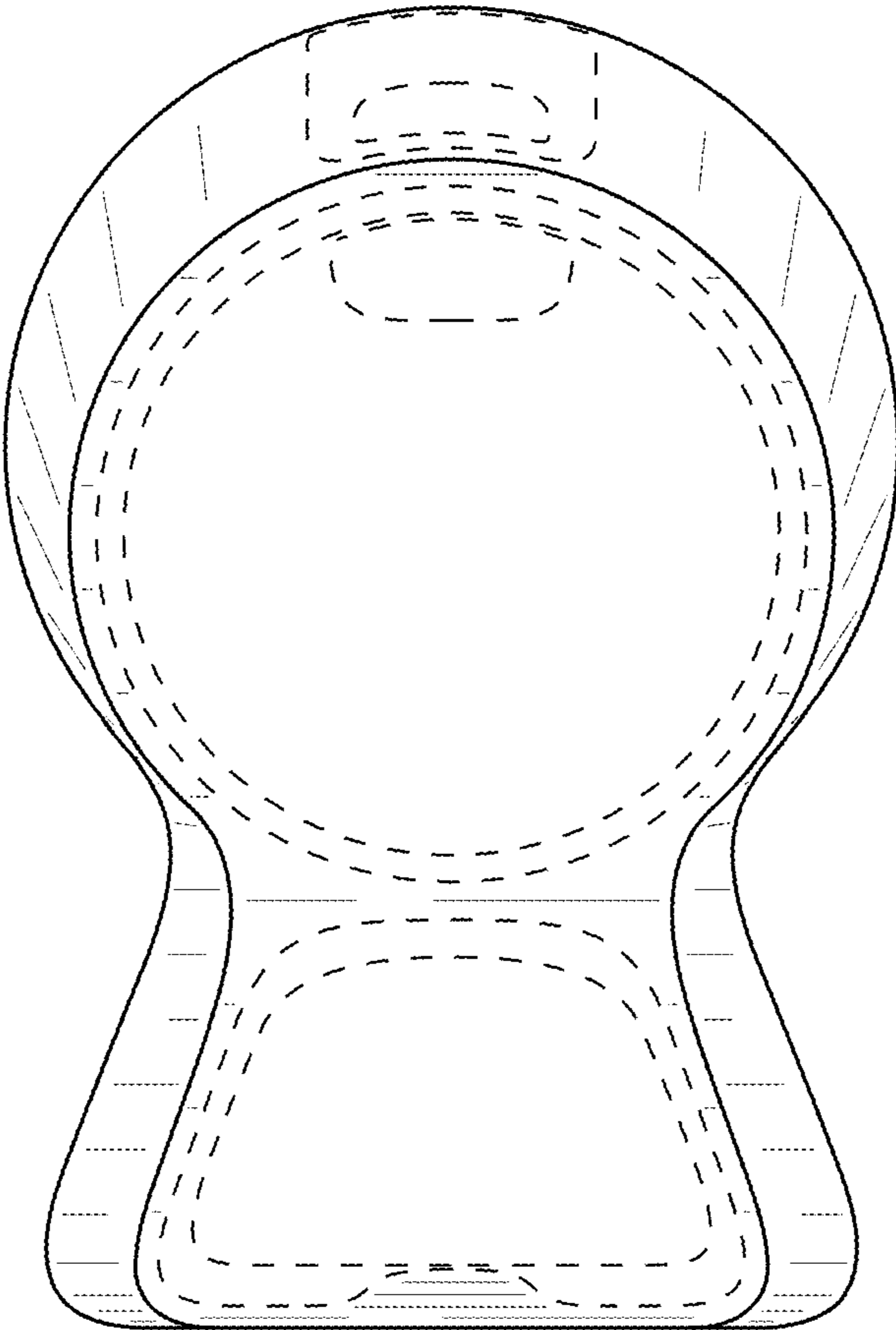


FIG. 2

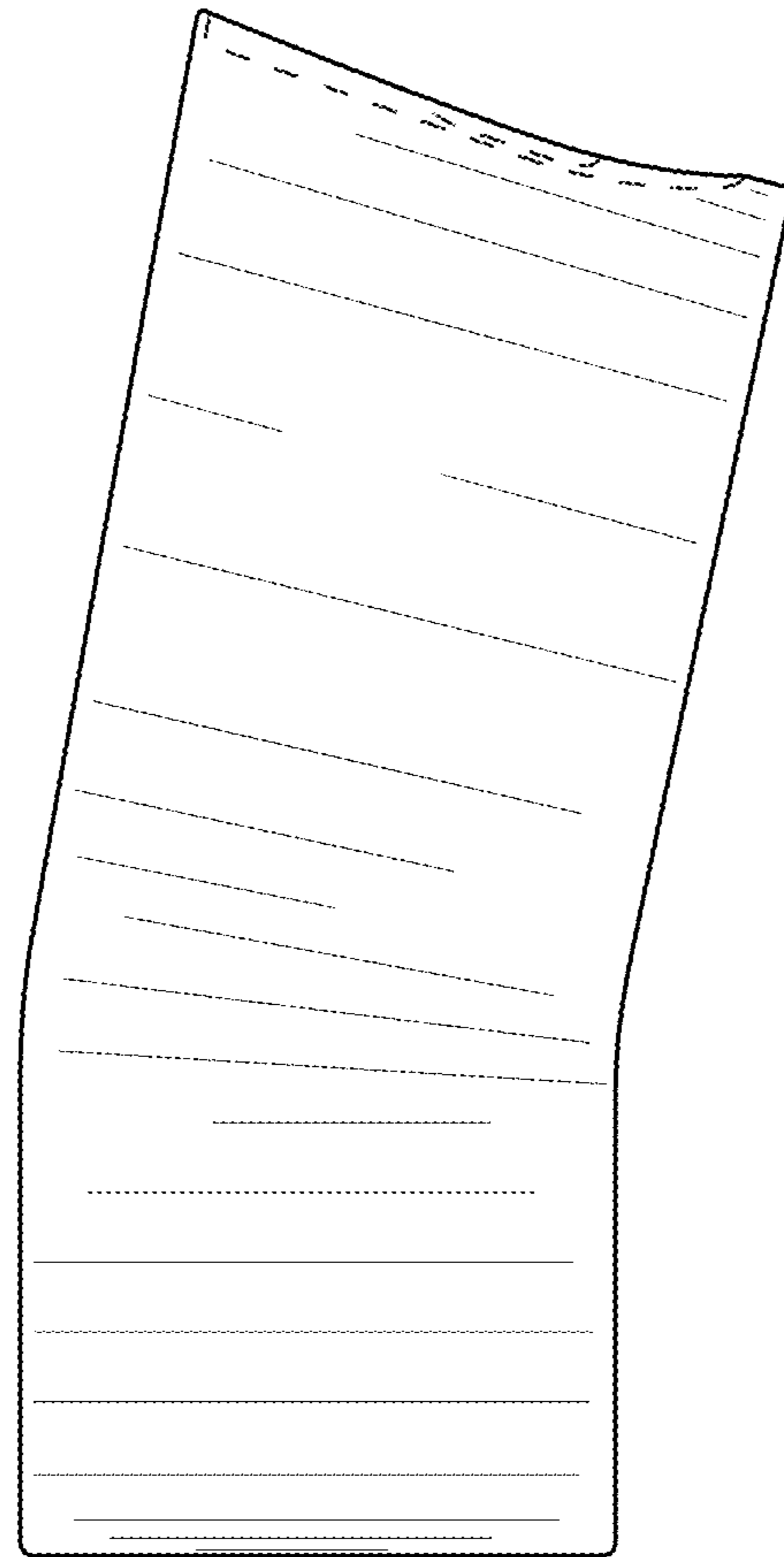


FIG. 3

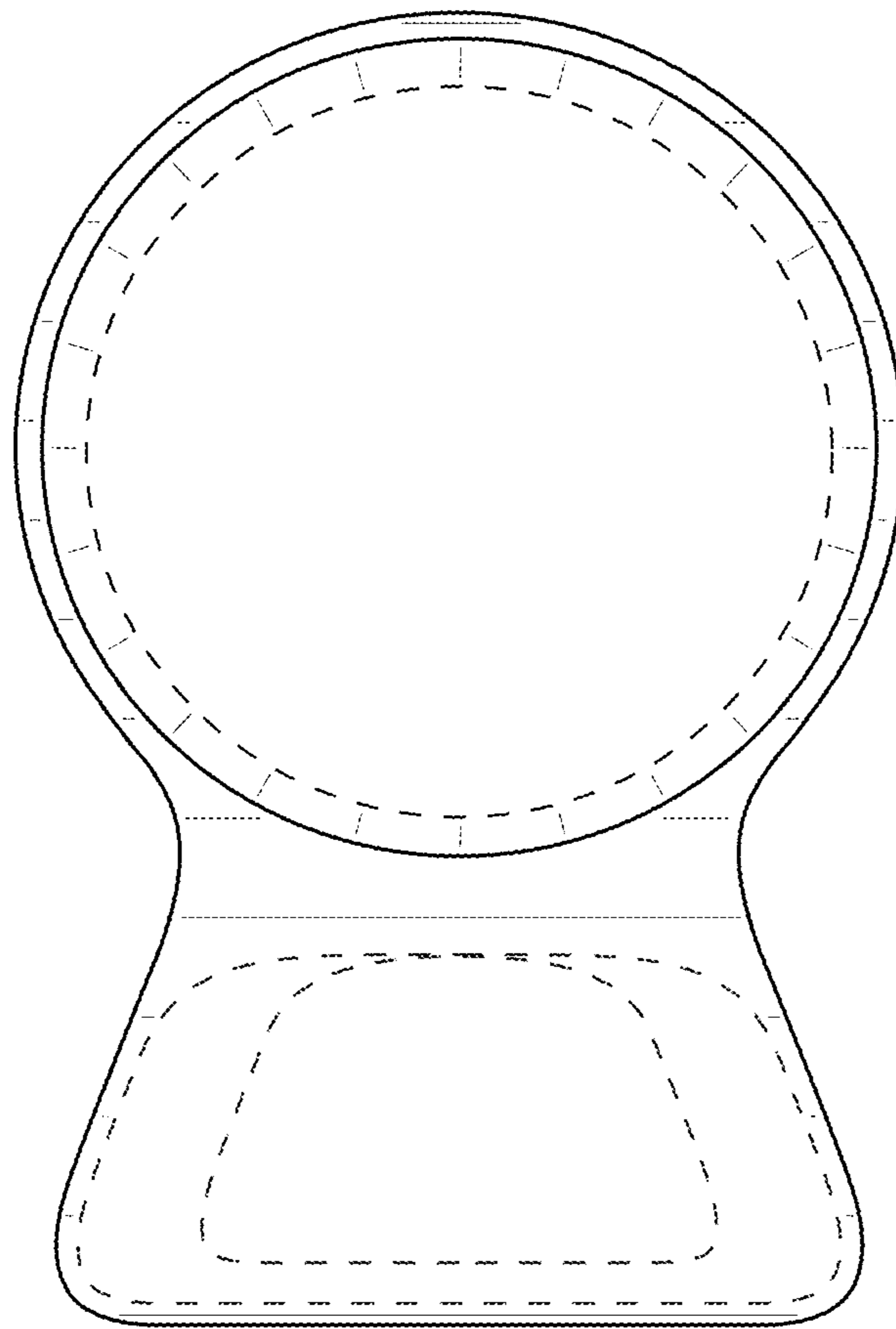


FIG. 4