



US00D885744S

(12) **United States Design Patent** (10) **Patent No.:** **US D885,744 S**
Xu et al. (45) **Date of Patent:** **** Jun. 2, 2020**

(54) **SUNSHADE UMBRELLA**

(56) **References Cited**

(71) Applicants: **Gaoyang Xu**, Taizhou (CN); **Yucheng Shan**, Taizhou (CN); **Chao Han**, Taizhou (CN); **Rixin Liang**, Taizhou (CN); **Jiaolong Ma**, Taizhou (CN); **Ying Fan**, Taizhou (CN)

U.S. PATENT DOCUMENTS

D25,368 S * 4/1896 Sparry et al. D3/5
990,632 A * 4/1911 Burton et al. A45B 11/00
135/20.1
D56,043 S * 8/1920 Weinberg et al. D3/5
3,464,431 A * 9/1969 Loeffler A45B 11/00
135/20.1
3,557,809 A * 1/1971 Vazquez A45B 11/00
135/15.1
3,837,352 A * 9/1974 Weber A45B 11/00
135/25.3

(Continued)

(72) Inventors: **Gaoyang Xu**, Taizhou (CN); **Yucheng Shan**, Taizhou (CN); **Chao Han**, Taizhou (CN); **Rixin Liang**, Taizhou (CN); **Jiaolong Ma**, Taizhou (CN); **Ying Fan**, Taizhou (CN)

FOREIGN PATENT DOCUMENTS

(73) Assignee: **Linhai Dojoy Furniture Ltd.**, Taizhou (CN)

CN 302723081 S 1/2014
CN 302727931 S 2/2014

(**) Term: **15 Years**

(Continued)

(21) Appl. No.: **29/665,370**

Primary Examiner — Steven J Czyn

(22) Filed: **Oct. 3, 2018**

(74) *Attorney, Agent, or Firm* — Minder Law Group;
Willy H. Wong

(30) **Foreign Application Priority Data**

(57) **CLAIM**

Aug. 10, 2018 (CN) 2018 3 0441205

The ornamental design for a sunshade umbrella, as shown and described.

(51) **LOC (12) Cl.** **03-03**

DESCRIPTION

(52) **U.S. Cl.**
USPC **D3/5**

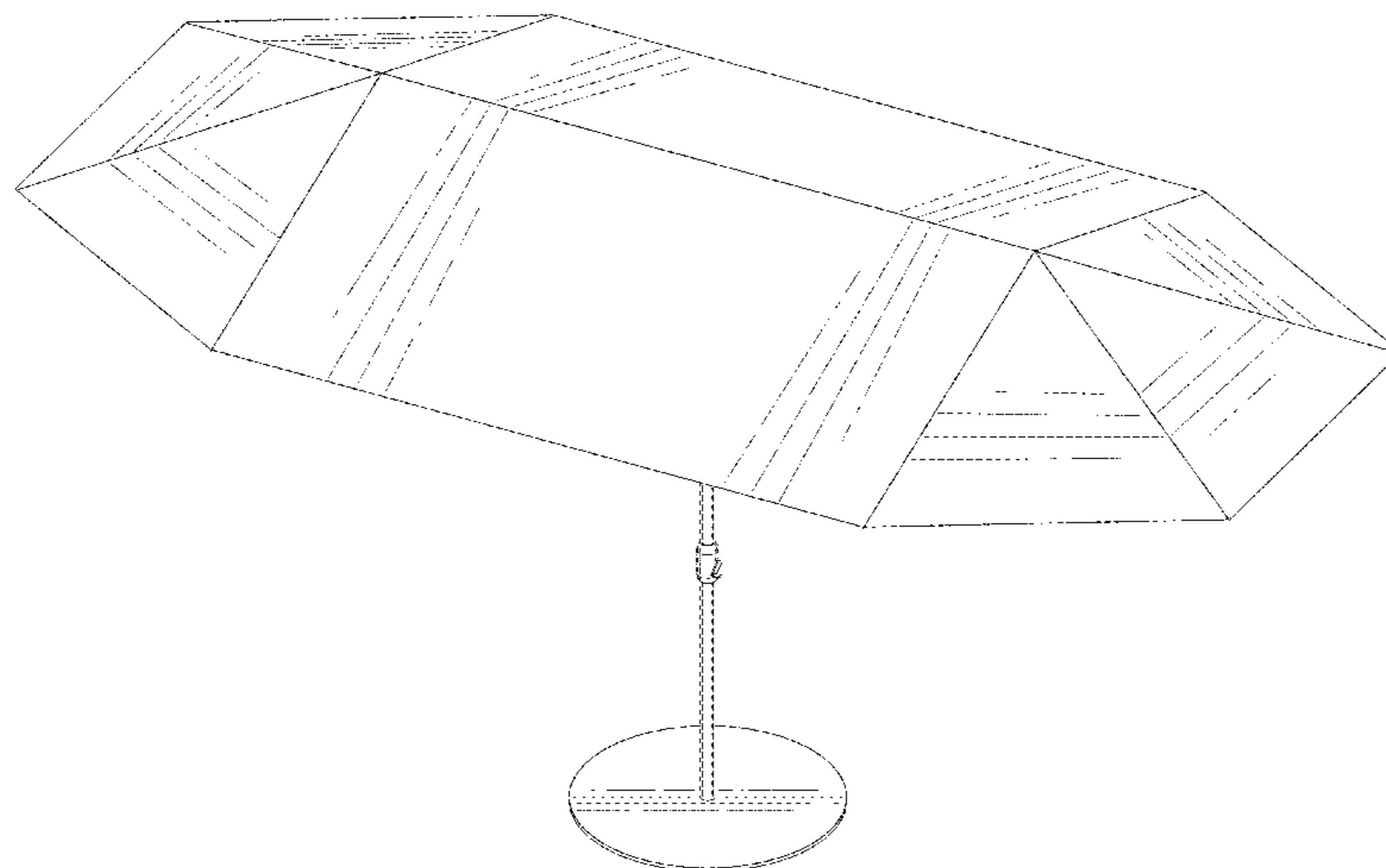
(58) **Field of Classification Search**
USPC D3/5, 6, 10; D21/834, 836, 837, 838;
D25/56

CPC ... A45B 11/00; A45B 19/00; A45B 2019/005;
A45B 23/00; A45B 2023/0012; A45B
2023/0075; A45B 2023/0081; A45B
2023/0087; A45B 2023/0093; A45B
25/00; A45B 2025/003; A45B 25/006;
A45B 25/02; A45B 25/18; A45B
2025/186; A45B 2200/10; A45B
2200/1072; A45B 2023/0031; A45B
25/20; A45B 25/22

FIG. 1 is a first perspective view of a sunshade umbrella in accordance with the present invention.
FIG. 2 is a second perspective view thereof.
FIG. 3 is a front view thereof.
FIG. 4 is a back view thereof.
FIG. 5 is a left view thereof.
FIG. 6 is a right view thereof.
FIG. 7 is a top view thereof; and,
FIG. 8 is a bottom view thereof.
The broken lines show portions of the sunshade umbrella that form no part of the claimed design.

See application file for complete search history.

1 Claim, 8 Drawing Sheets



(56)

References Cited

U.S. PATENT DOCUMENTS

4,144,900 A * 3/1979 Kinski A45B 11/00
135/20.1
4,274,429 A * 6/1981 Kinski A45B 11/00
135/20.1
D273,346 S * 4/1984 Secon D3/5
D328,182 S * 7/1992 Lo D3/5
5,263,505 A * 11/1993 Yeom A45B 11/00
135/20.1
D411,914 S * 7/1999 Chang D3/6
D419,287 S * 1/2000 Wallace D3/5
D419,759 S * 2/2000 Goudarzi D3/5
D449,926 S * 11/2001 Tsai D3/5
D475,524 S * 6/2003 Clarke D3/5
D491,720 S * 6/2004 Clarke D3/5
D496,783 S * 10/2004 Medina D3/5
7,121,289 B1 * 10/2006 Anderson A45B 23/00
135/20.1

D548,452 S * 8/2007 Oelzant D3/10
D592,393 S * 5/2009 Clarke D3/5
D599,103 S * 9/2009 Hoogendoorn D3/5
D605,308 S * 12/2009 Combs D21/837
D618,899 S * 7/2010 Hoogendoorn D3/5
D622,951 S * 9/2010 You D3/5
D623,393 S * 9/2010 You D3/5
D624,302 S * 9/2010 Rodriguez D3/5
D665,569 S * 8/2012 Ketcher D3/5
D674,180 S * 1/2013 Ketcher D3/5
D693,894 S * 11/2013 Brensinger D21/834
9,243,747 B2 * 1/2016 Ramberg F16M 13/022
10,182,627 B2 * 1/2019 Nei A45B 25/02

FOREIGN PATENT DOCUMENTS

CN 303302351 S 7/2015
CN 304292295 S 9/2017

* cited by examiner

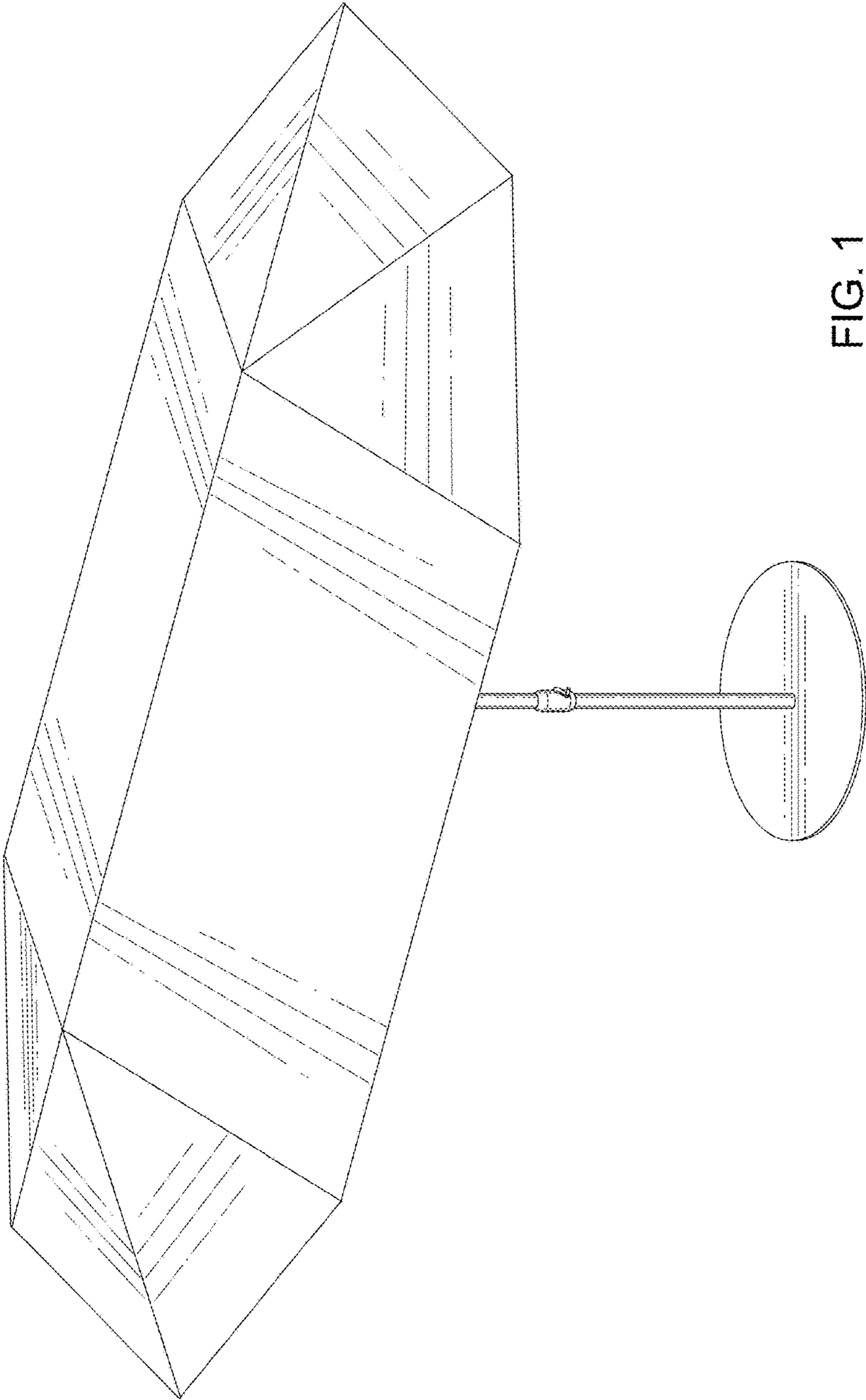


FIG. 1

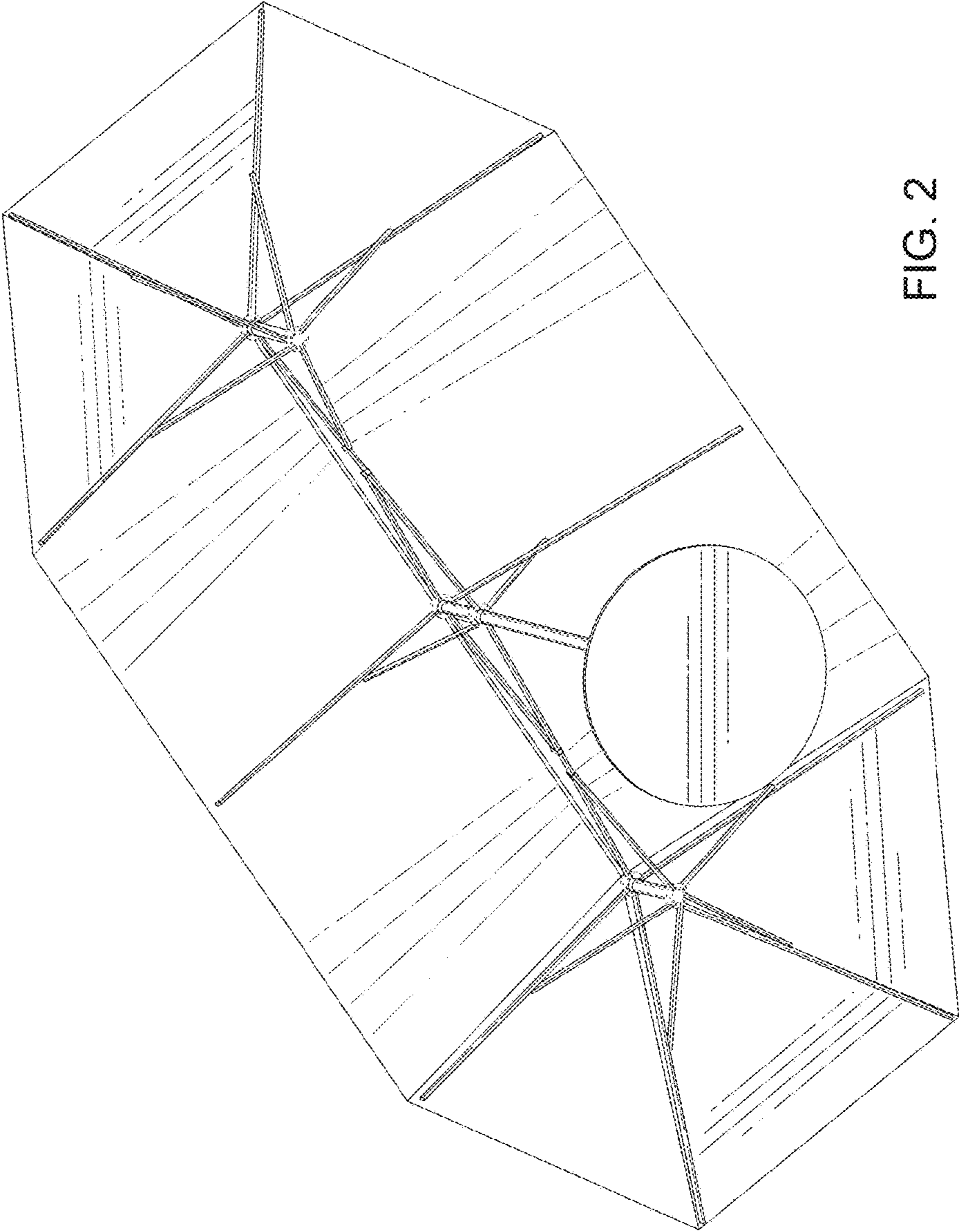


FIG. 2

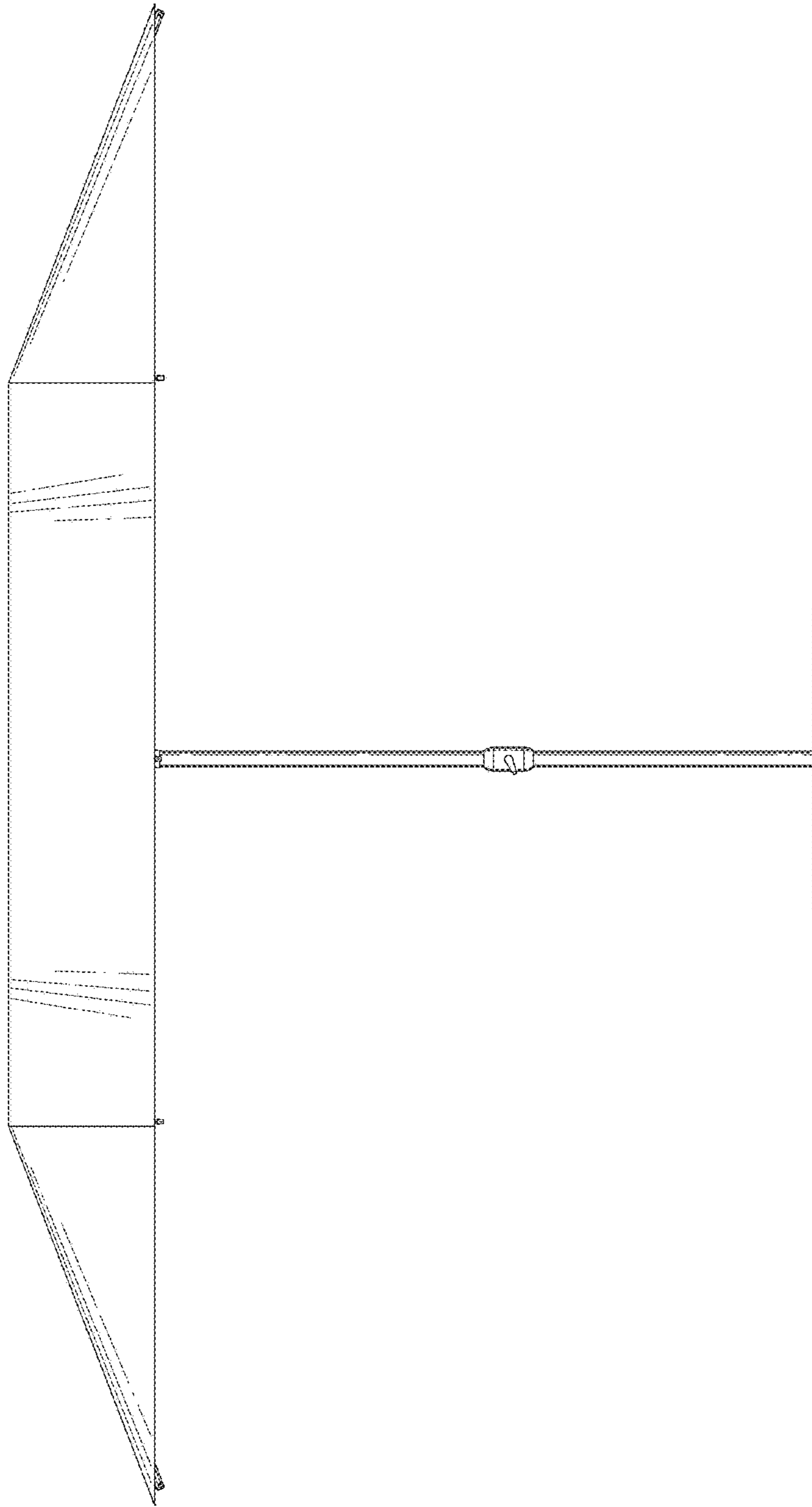


FIG. 3

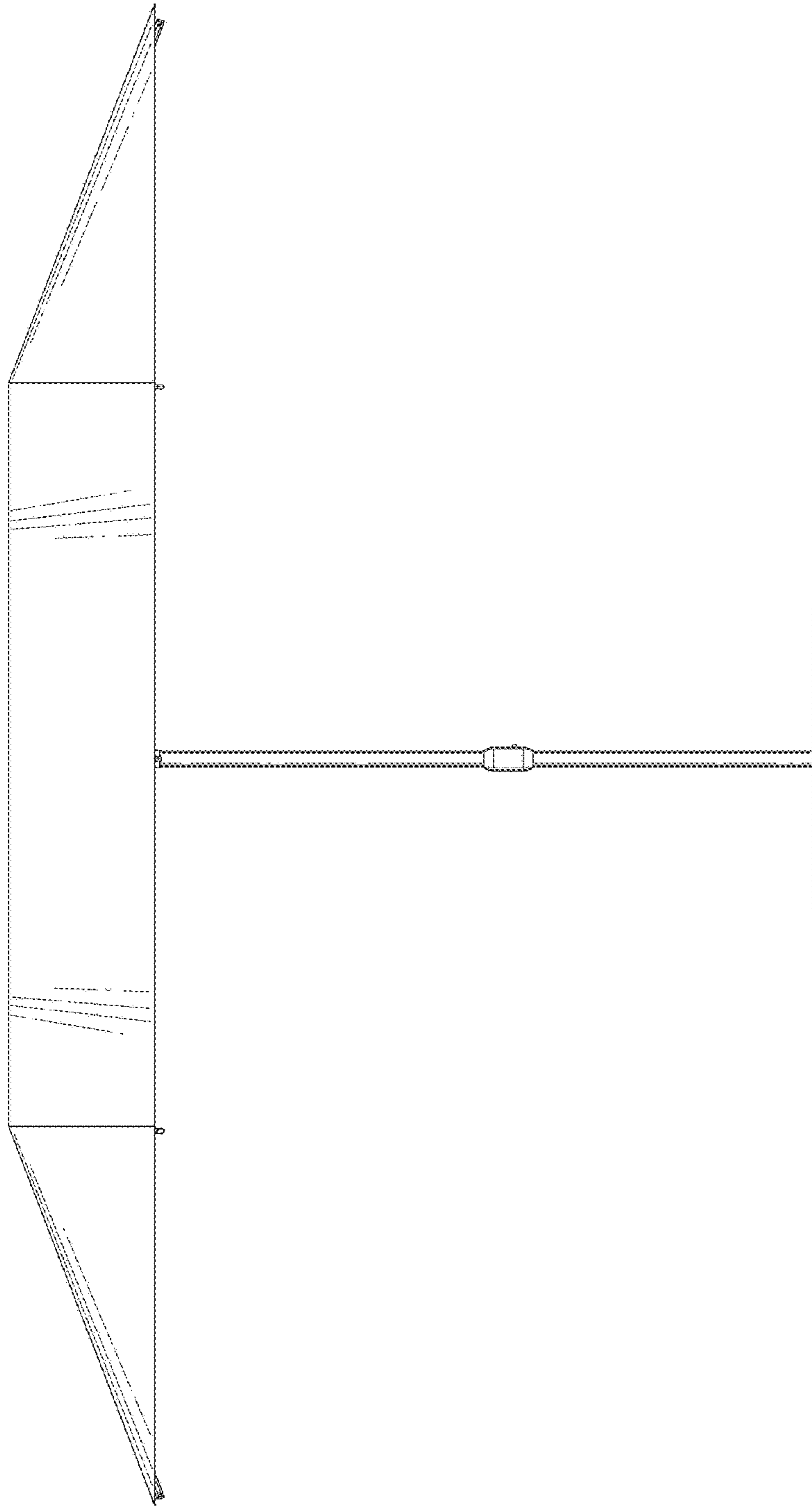


FIG. 4

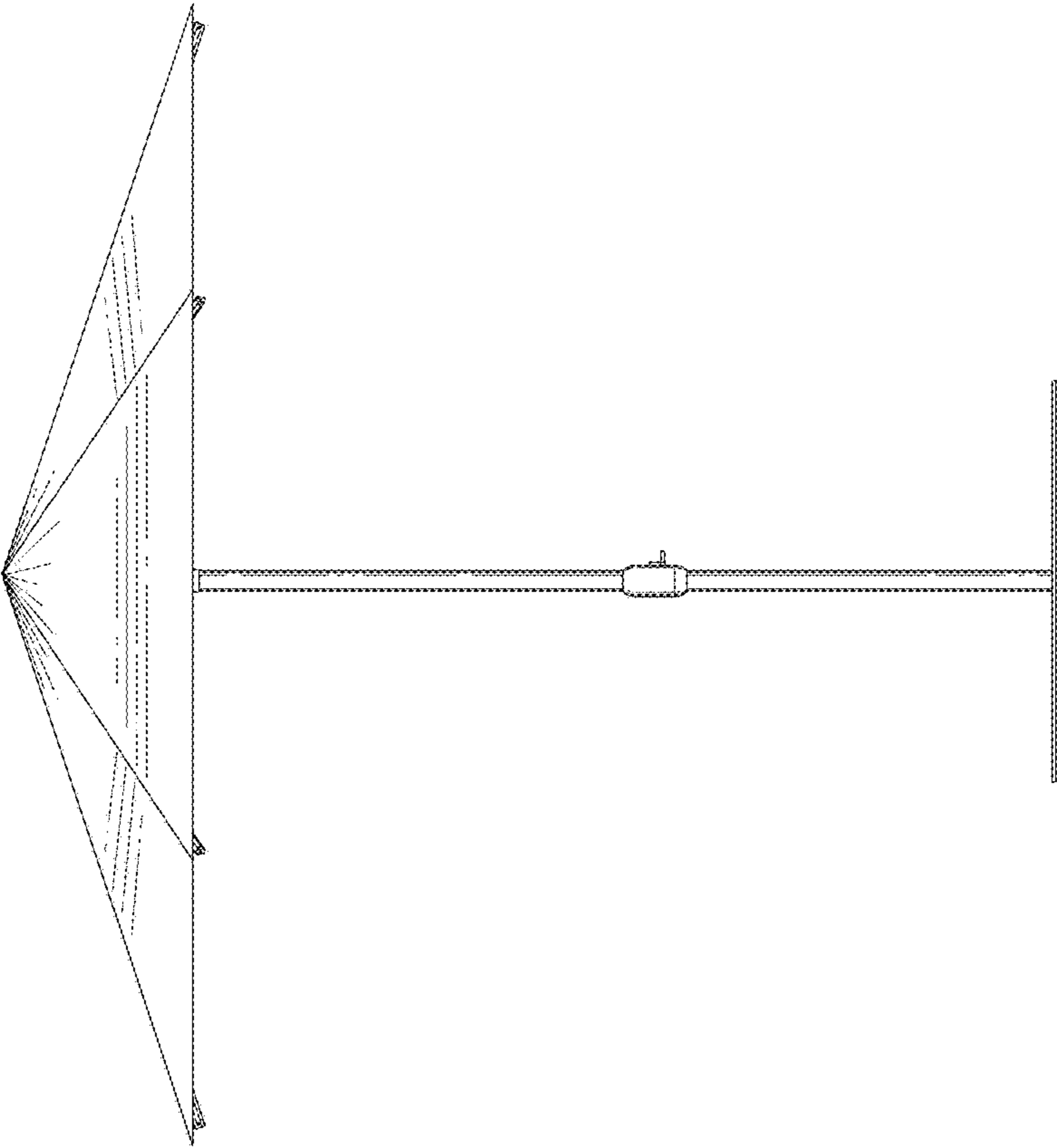


FIG. 5

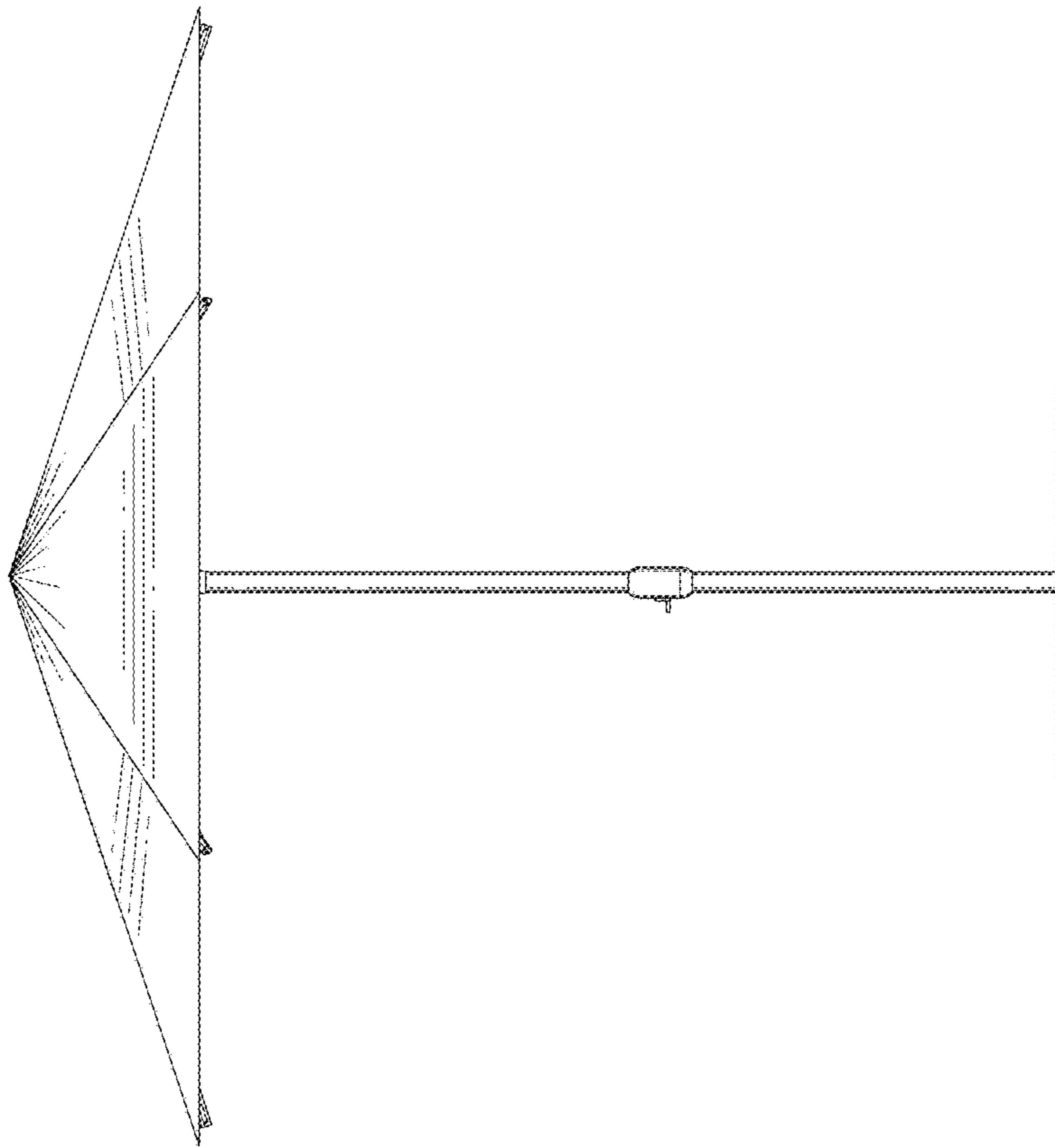


FIG. 6

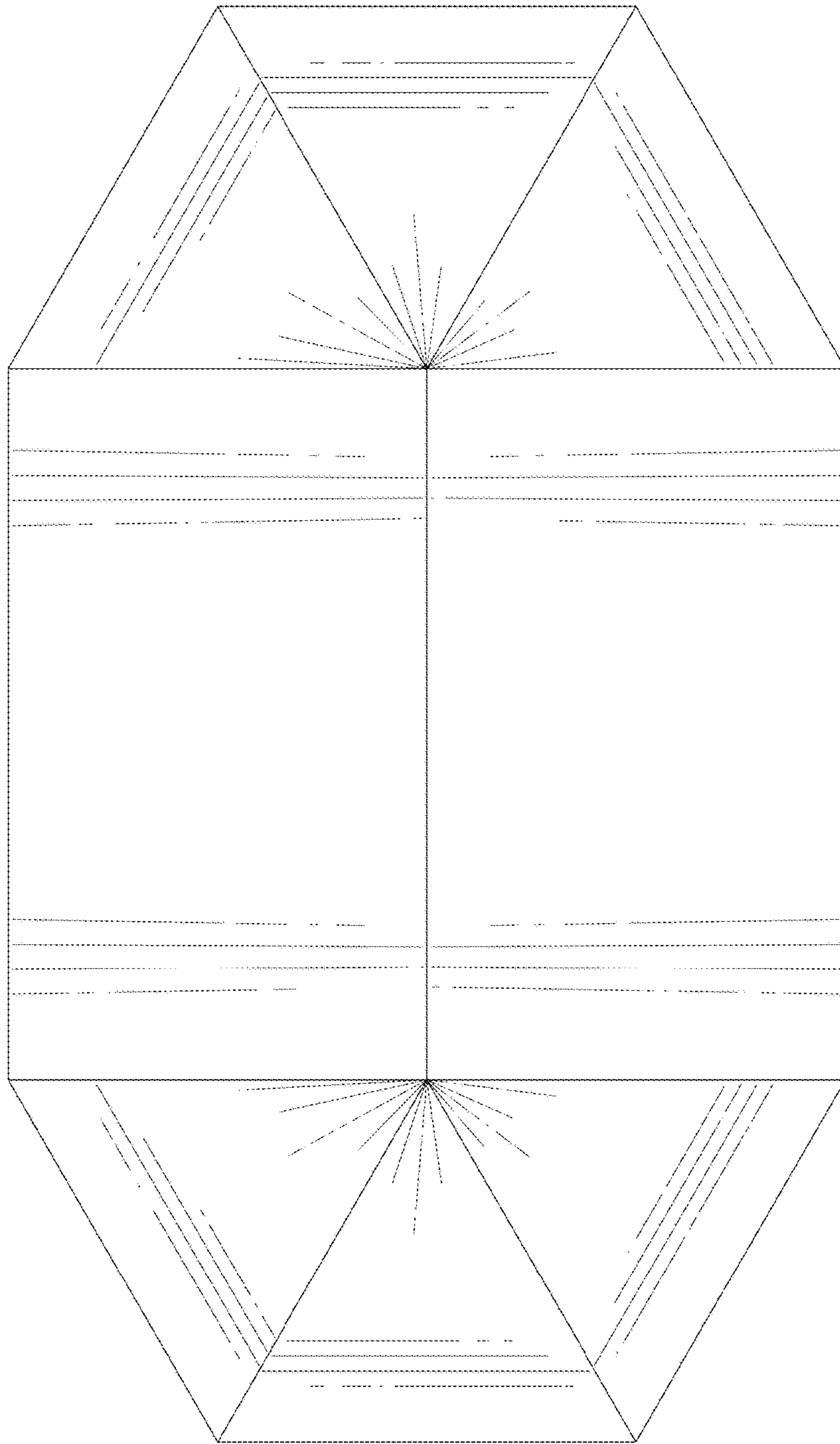


FIG. 7

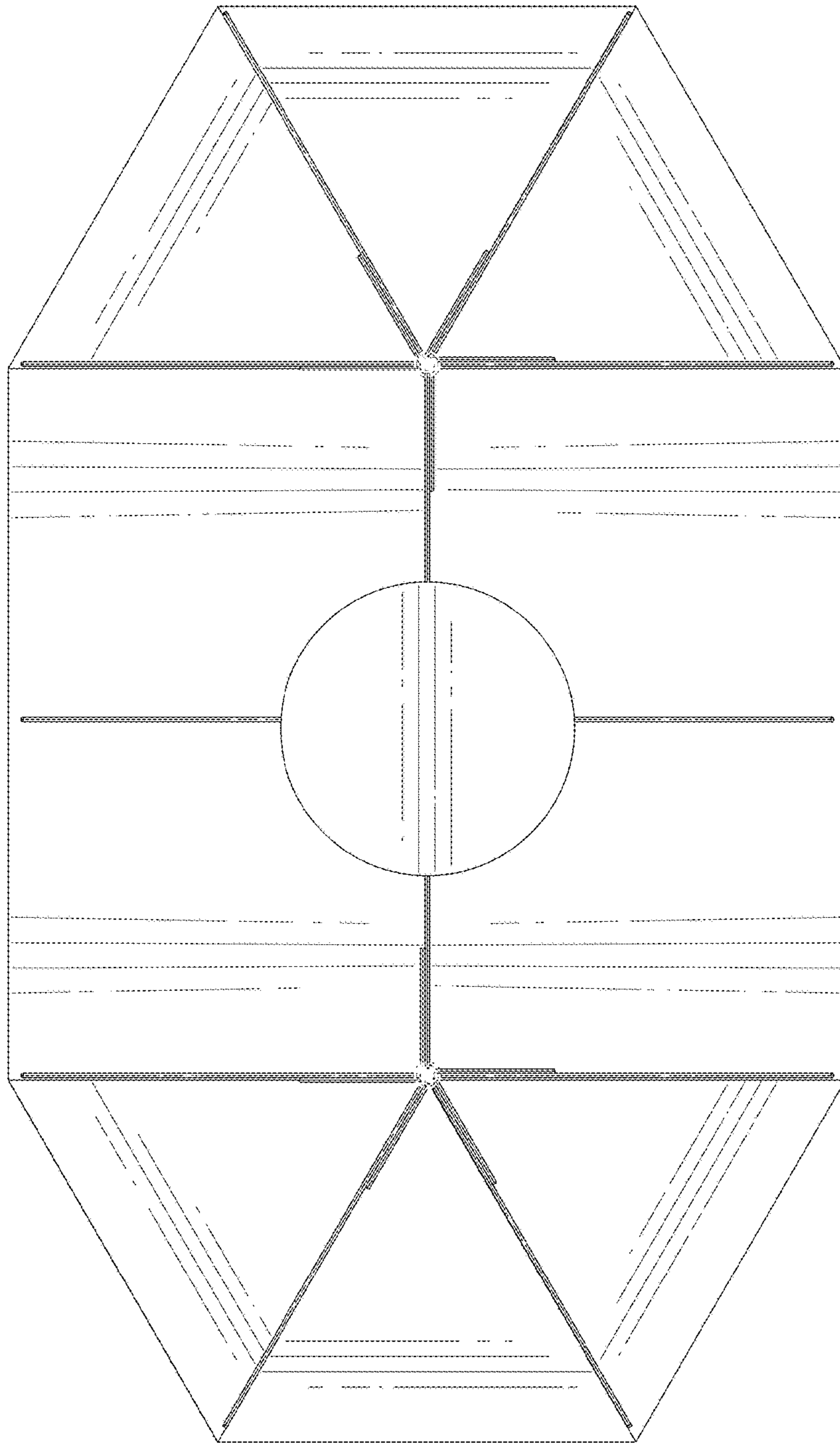


FIG. 8