



US00D885736S

(12) **United States Design Patent**
Radabaugh

(10) **Patent No.:** **US D885,736 S**
(45) **Date of Patent:** **** Jun. 2, 2020**

(54) **TREAD FOR A FOOTWEAR OUTSOLE**

(71) Applicant: **Vionic Group LLC**, San Rafael, CA
(US)

(72) Inventor: **Scott Radabaugh**, Mill Valley, CA
(US)

(73) Assignee: **Vionic Group LLC**, San Rafael, CA
(US)

(**) Term: **15 Years**

(21) Appl. No.: **29/655,214**

(22) Filed: **Jun. 30, 2018**

(51) **LOC (12) Cl.** **02-04**

(52) **U.S. Cl.**
USPC **D2/960**; D2/951; D2/953

(58) **Field of Classification Search**
USPC D2/902, 906, 908, 916, 918, 925,
D2/946-962, 977; 36/3 B, 22 R, 24.5,
36/25 R, 28, 32 R, 34 R, 59 C, 67 A, 103
CPC A43B 13/00; A43B 13/02; A43B 13/023;
A43B 13/026; A43B 13/04; A43B 13/08;
A43B 13/10; A43B 13/12; A43B 13/14;
A43B 13/141; A43B 13/143; A43B
13/16; A43B 13/18; A43B 13/181; A43B
13/187; A43B 13/189; A43B 13/20; A43B
13/22; A43B 13/223; A43B 13/24; A43B
13/28; A43B 13/30; A43B 13/32; A43B
13/34; A43B 13/36
See application file for complete search history.

(56) **References Cited**

U.S. PATENT DOCUMENTS

- 485,459 A * 11/1892 Crocker A43C 15/161
36/59 R
- 1,498,838 A * 6/1924 Harrison, Jr. A43B 13/20
36/29
- D242,091 S * 11/1976 Tornero D2/954

- D296,724 S * 7/1988 Peterson D2/957
- D299,787 S * 2/1989 Bates D2/960
- D498,904 S * 11/2004 Lee D2/953
- D573,780 S * 7/2008 Davis A43B 5/08
D2/951
- D820,570 S * 6/2018 Mokos D2/960
- D827,257 S * 9/2018 Ringholz A43B 5/10
D2/916
- D832,564 S * 11/2018 Mokos A43B 13/20
D2/960
- D841,299 S * 2/2019 Nikolic A43C 15/161
D2/953
- D844,960 S * 4/2019 Cooper D2/957
- D845,601 S * 4/2019 Cooper D2/960
- D870,437 S * 12/2019 Swartz D2/960
- D870,438 S * 12/2019 Swartz D2/960
- 2005/0257402 A1 * 11/2005 Kobayashi A43B 5/10
36/59 R

(Continued)

Primary Examiner — T Chase Nelson

(74) *Attorney, Agent, or Firm* — Reed Smith LLP; Nina
Habib Borders

(57) **CLAIM**

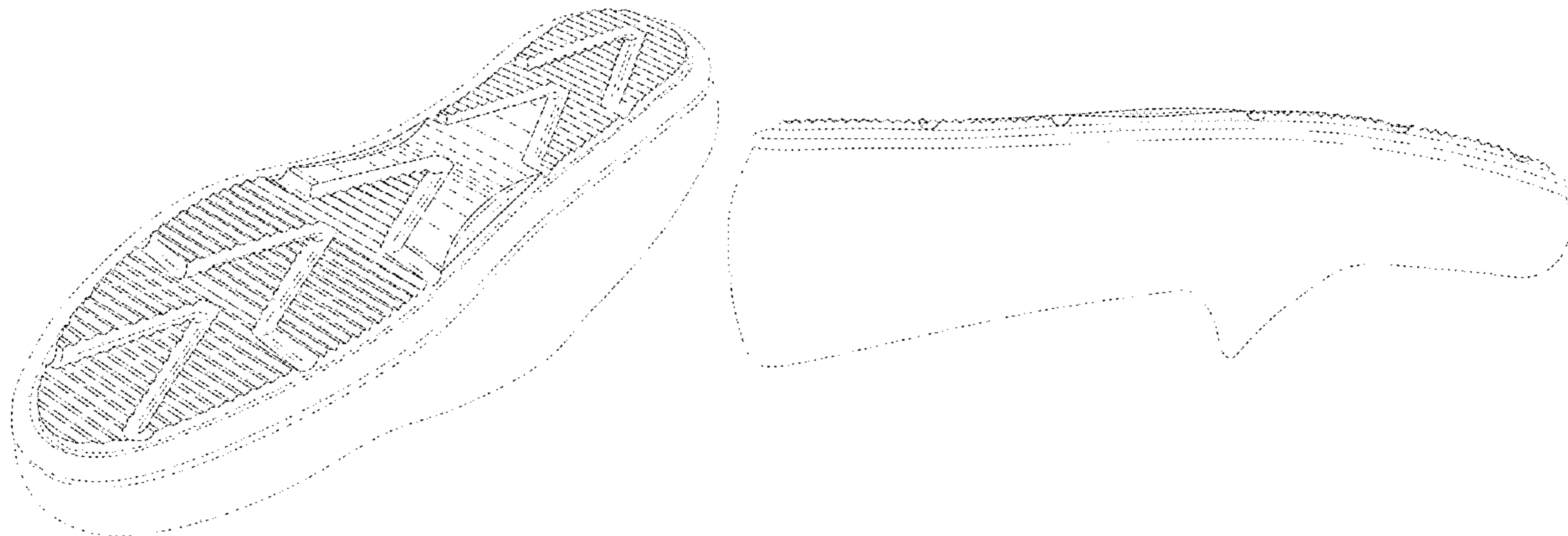
The ornamental design for the tread for a footwear outsole,
as shown and described.

DESCRIPTION

FIG. 1 is a first perspective view of my ornamental design
for a tread for a footwear outsole;
FIG. 2 is a second perspective view thereof;
FIG. 3 is a right side elevation view thereof;
FIG. 4 is a left side elevation view thereof;
FIG. 5 is a front elevational view thereof;
FIG. 6 is a rear elevational view thereof; and,
FIG. 7 is a bottom plan view thereof.

The broken lines in the figure views depict unclaimed
subject matter and environment in the form of a footwear
midsole and upper. The broken lines and subject matter they
depict form no part of the claimed design.

1 Claim, 6 Drawing Sheets



(56)

References Cited

U.S. PATENT DOCUMENTS

2007/0033837 A1* 2/2007 Fulton A43B 13/223
36/59 R
2010/0088928 A1* 4/2010 Sarantakos A43B 5/08
36/103
2012/0174439 A1* 7/2012 O'Connor A43B 3/108
36/91
2018/0160773 A1* 6/2018 Goldman A43B 13/223

* cited by examiner

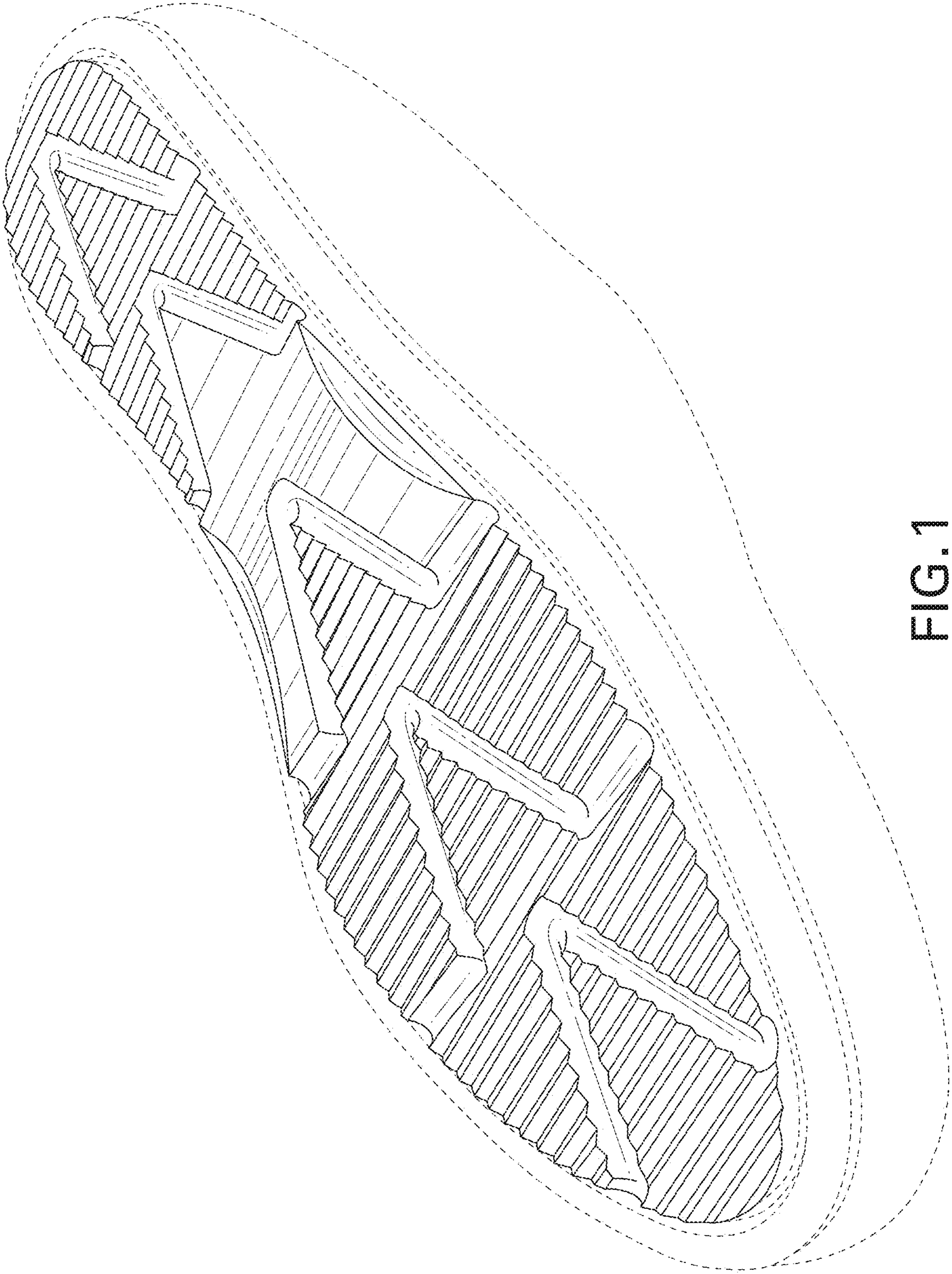


FIG. 1

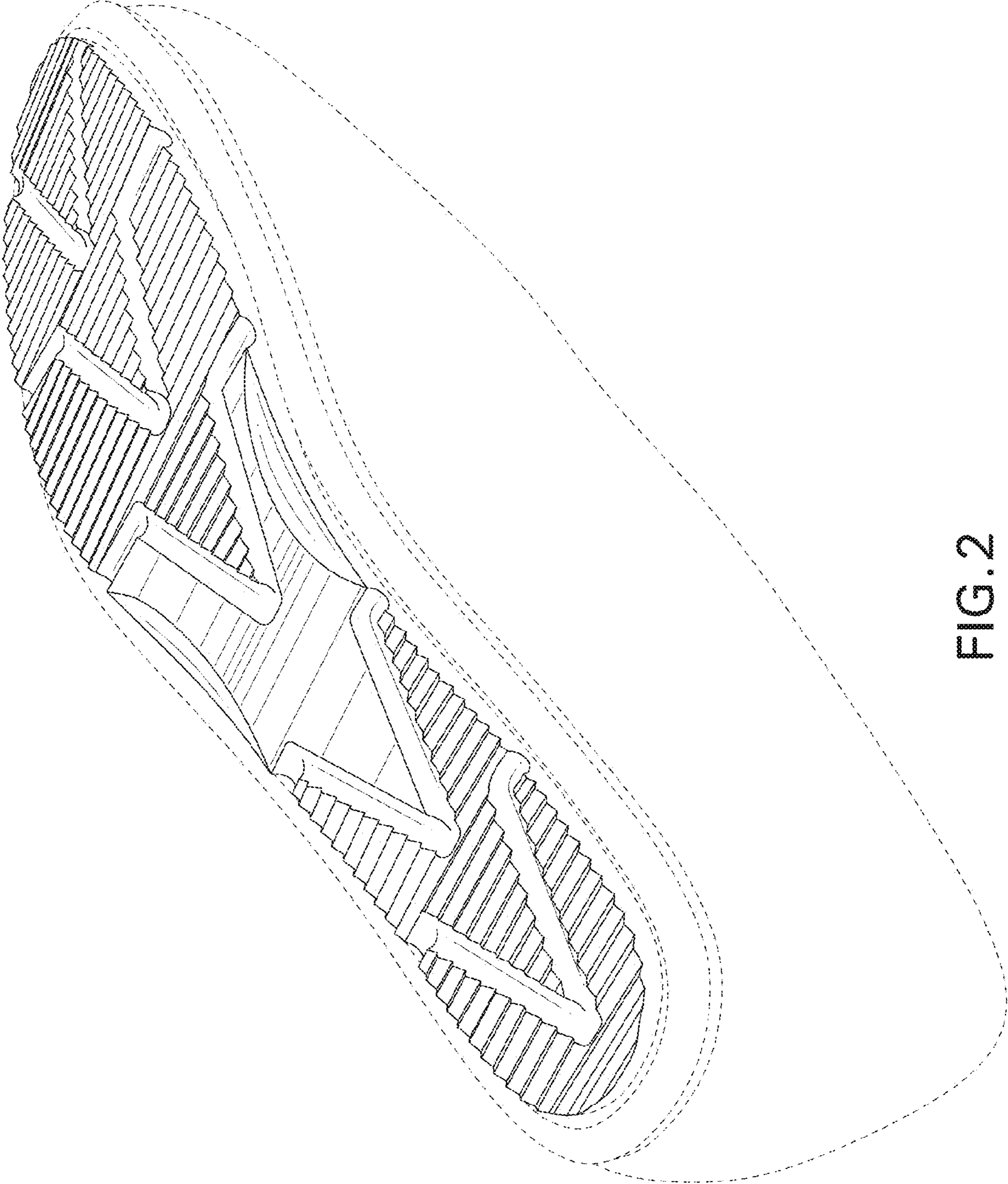


FIG. 2

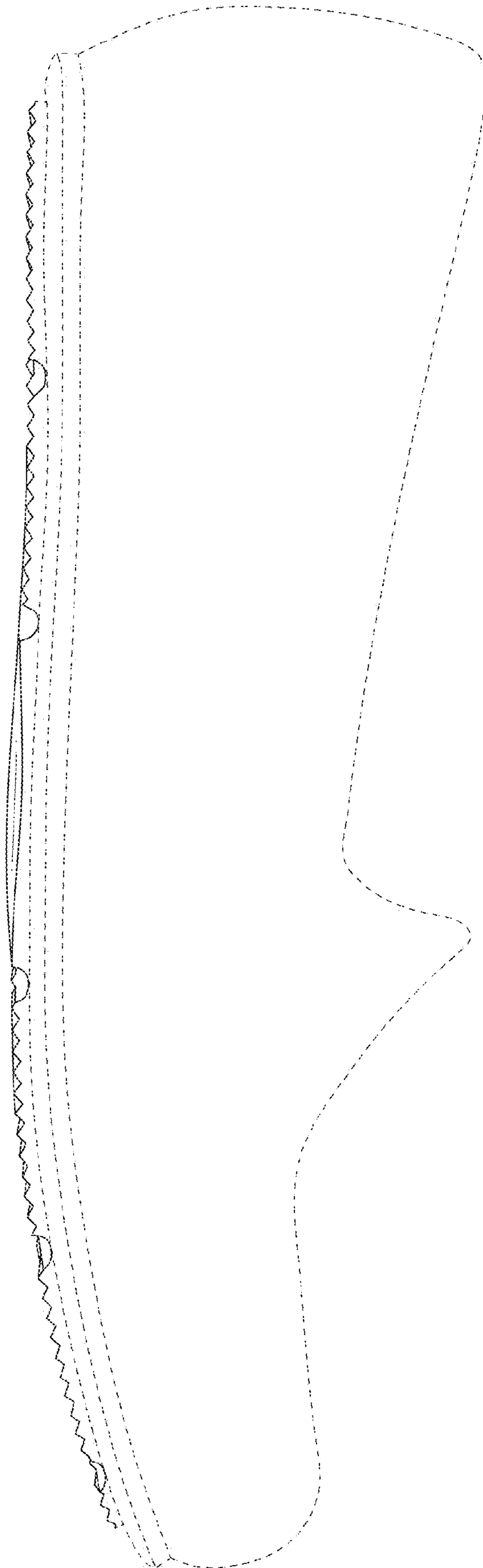


FIG. 3

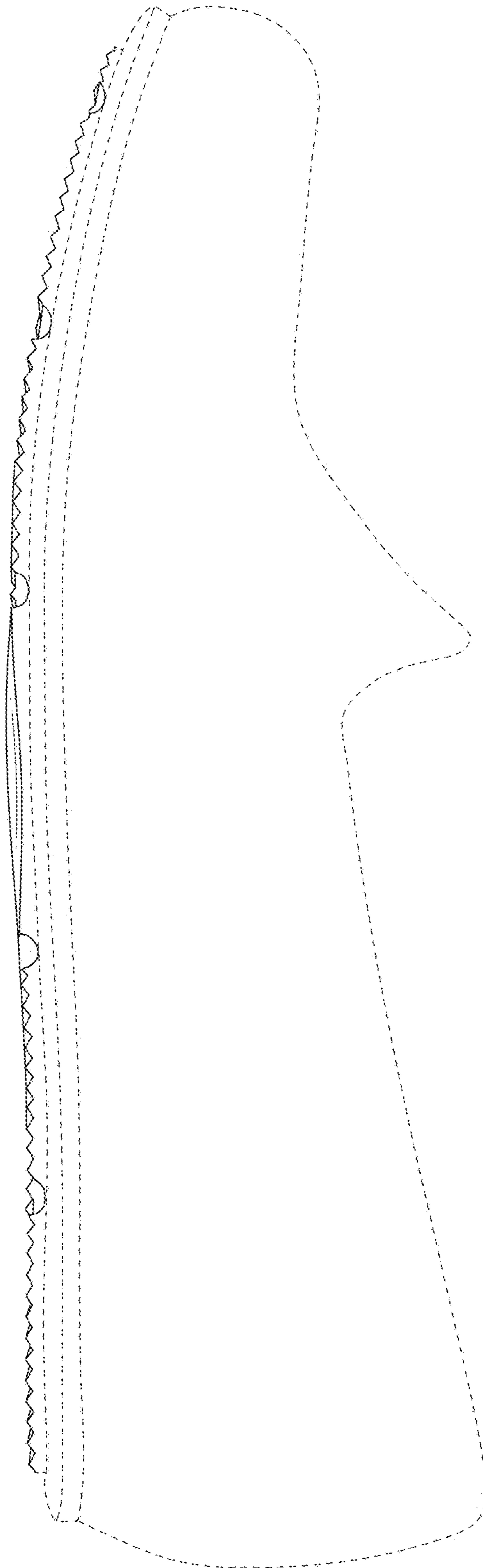


FIG.4

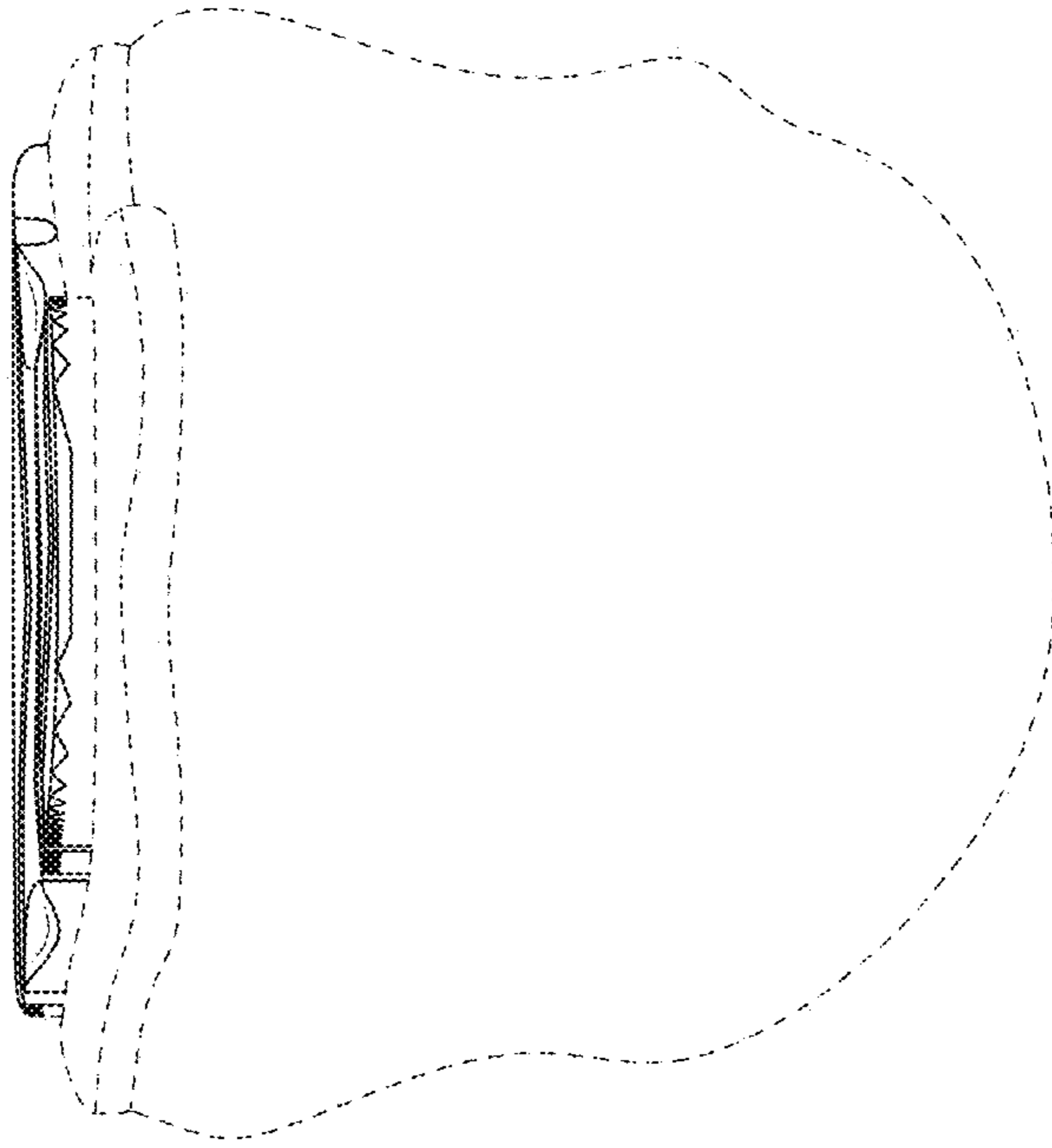


FIG. 5

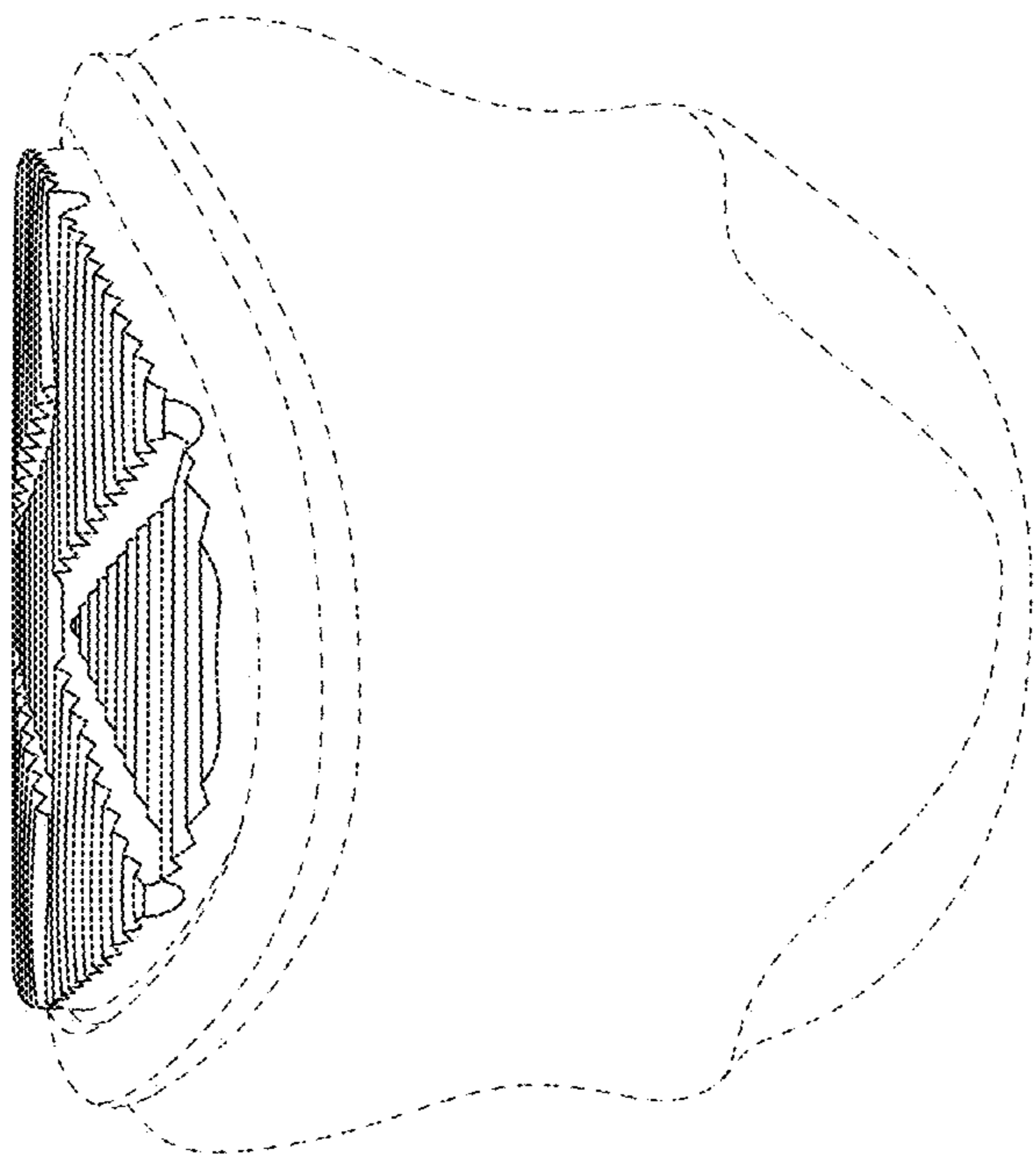


FIG. 6

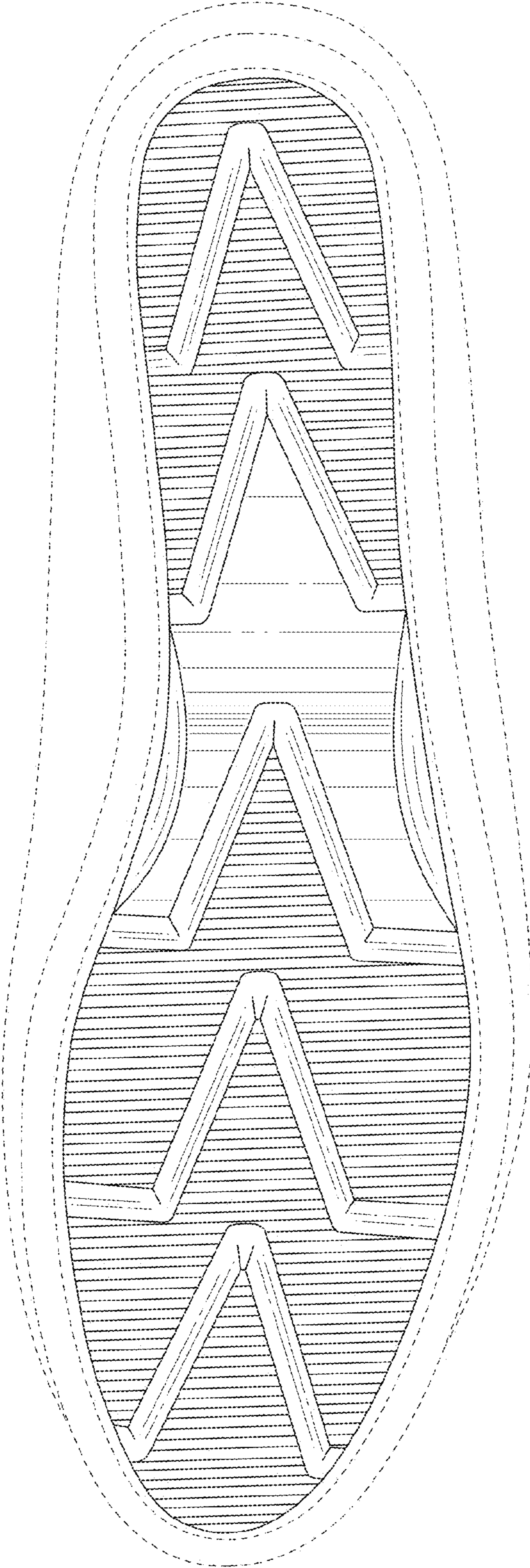


FIG. 7