



US00D885715S

(12) **United States Design Patent** (10) **Patent No.:** **US D885,715 S**
Hardy (45) **Date of Patent:** **** Jun. 2, 2020**

(54) **SANDAL**

13/20; A43B 1/00; A43B 1/0009; A43B 1/04; A43B 23/0295; A43B 5/00

(71) Applicant: **HERMES SELLIER (Société par actions simplifiée)**, Paris (FR)

See application file for complete search history.

(72) Inventor: **Pierre Hardy**, Paris (FR)

(56) **References Cited**

(**) Term: **15 Years**

U.S. PATENT DOCUMENTS

(21) Appl. No.: **35/506,727**

D454,425 S *	3/2002	Boncutter	D2/916
D575,051 S *	8/2008	Bartee	D2/969
D604,499 S *	11/2009	Issler	D2/925
D609,896 S *	2/2010	Christie	D2/916
D623,839 S *	9/2010	Leleu	D2/946
D701,033 S *	3/2014	Leleu	D2/971
D733,409 S *	7/2015	Catelli	D2/922
2011/0016751 A1 *	1/2011	Somerville	A43B 3/122 36/105

(22) Filed: **Feb. 25, 2019**

(80) **Hague Agreement Data**

Int. Filing Date: **Feb. 25, 2019**

Int. Reg. No.: **DM/200737**

Int. Reg. Date: **Feb. 25, 2019**

Int. Reg. Pub. Date: **May 10, 2019**

* cited by examiner

Primary Examiner — Jennifer L Watkins

(51) **LOC (12) Cl.** **02-02**

(57) **CLAIM**

(52) **U.S. Cl.**

The ornamental design for a sandal, as shown and described.

USPC **D2/916**

DESCRIPTION

(58) **Field of Classification Search**

USPC D2/897, 902, 906–911, 919, 922,
D2/923–927, 936, 939–941, 942, 945,
D2/947, 949, 953, 959, 964–966,
D2/968–972

CPC A43B 1/0027; A43B 21/24; A43B 21/36;
A43B 21/42; A43B 21/51; A43B 21/52;
A43B 21/54; A43B 23/227; A43B 3/24;
A43B 3/246; A43B 9/02; A43B 17/02;
A43B 13/12; A43B 13/28; A43B 13/42;
A43B 21/32; A43B 3/108; A43B 13/16;
A43B 5/12; A43B 3/248; A43B 3/10;
A43B 13/122; A43B 3/14; A43B 13/141;
A43B 13/181; A43B 13/184; A43B

1. Sandal

1.1 is a perspective view of a sandal showing a new design;

1.2 is a front view thereof;

1.3 is a rear view thereof;

1.4 is a side view thereof;

1.5 is an opposite side view thereof;

1.6 is a top view thereof; and

1.7 is a bottom view thereof.

The reproductions of design n. 1 show only the right shoe, the left shoe is omitted because it is symmetrical to the right shoe; in the figures the dotted lines represent seams.

1 Claim, 7 Drawing Sheets



1.1



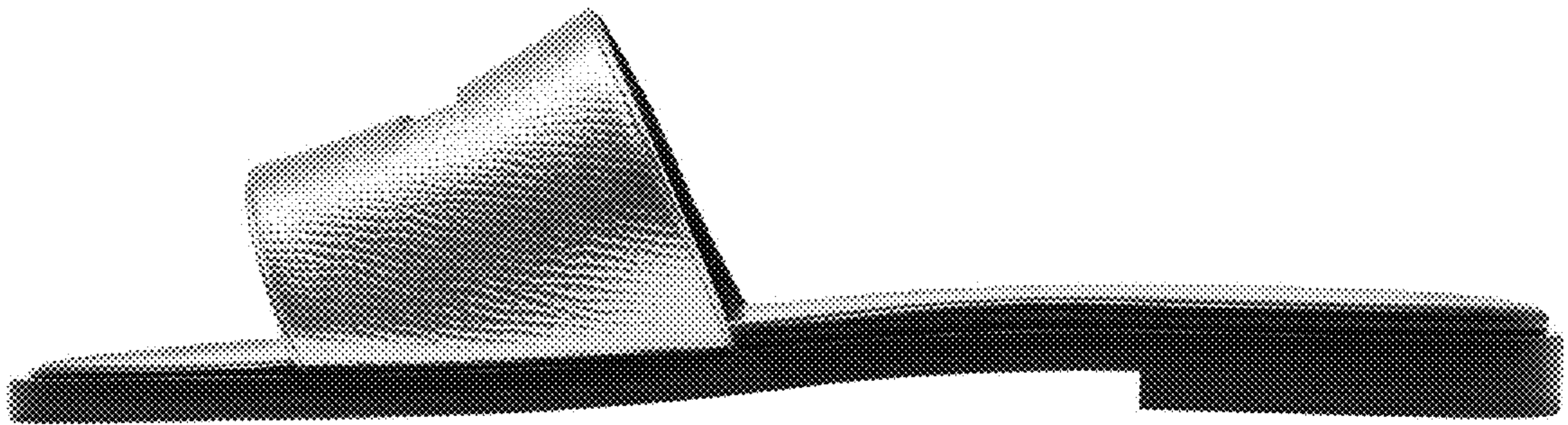
1.2



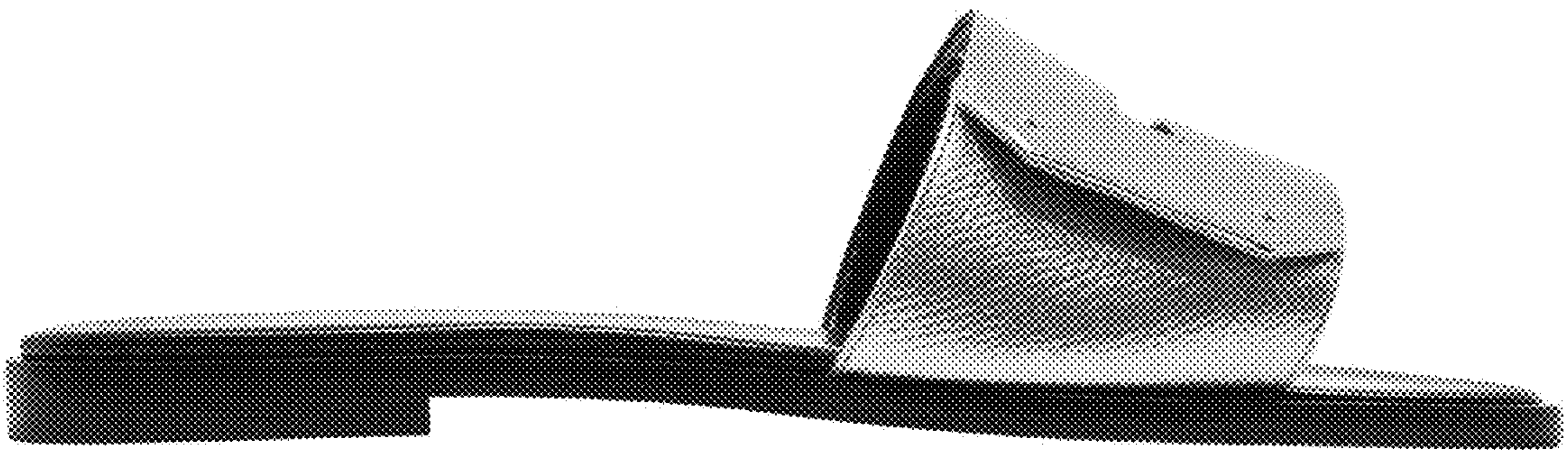
1.3



1.4



1.5



1.6



1.7

