



US00D885710S

(12) **United States Design Patent**
Yaremenko

(10) **Patent No.:** **US D885,710 S**
(45) **Date of Patent:** **** Jun. 2, 2020**

- (54) **BRA**
- (71) Applicant: **LULULEMON ATHLETICA CANADA INC.**, Vancouver (CA)
- (72) Inventor: **Yuliya Victorivna Yaremenko**, Vancouver (CA)
- (73) Assignee: **LULULEMON ATHLETICA CANADA INC.**, Vancouver (CA)
- (**) Term: **15 Years**
- (21) Appl. No.: **29/680,876**
- (22) Filed: **Feb. 20, 2019**
- (51) **LOC (12) Cl.** **02-01**
- (52) **U.S. Cl.**
USPC **D2/706**
- (58) **Field of Classification Search**
USPC **D2/706-708, 731, 737, 635**
(Continued)

(56) **References Cited**

U.S. PATENT DOCUMENTS

- D759,942 S * 6/2016 Martz D2/708
 - D765,947 S * 9/2016 McManus D2/708
- (Continued)

OTHER PUBLICATIONS

Queenieke Women's Light Support Double-T Back Wirefree Pad Yoga Sports Bra, posted 2019 [online], (retrieved Mar. 9, 2020). Retrieved from the internet,://www.amazon.com/Queenie-Ke-Support-Double-T-Wirefree/dp/B0732W8ZBT/ref=pd_di_scai_2/140-2395075-4176949?_encoding=UTF8&pd_rd_i=B07S4NMBDP&pd_rd_ (Year: 2019).*

(Continued)

Primary Examiner — Barbara Fox
Assistant Examiner — J. Thorn, Sr.

(74) *Attorney, Agent, or Firm* — Conneely PC; Joseph Conneely

(57) **CLAIM**

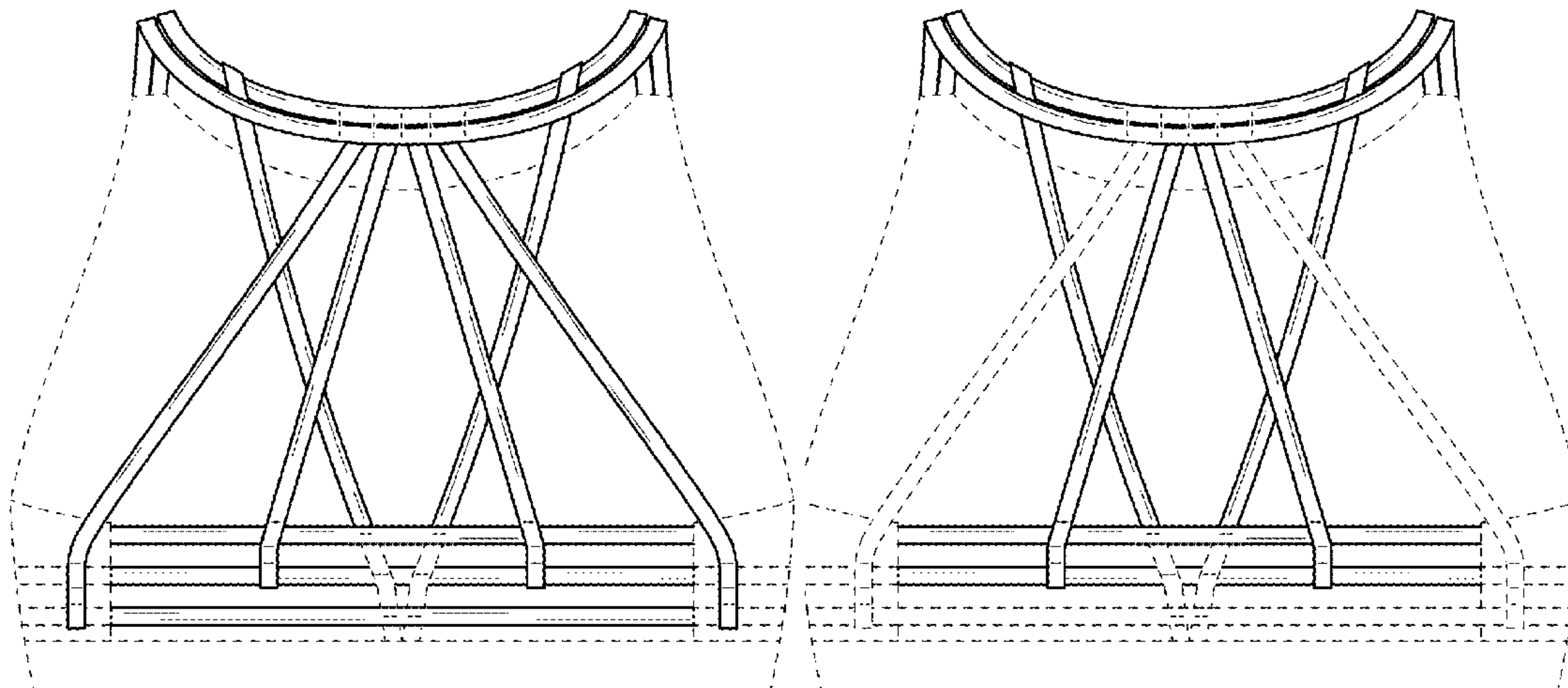
The ornamental design for a bra, as shown and described.

DESCRIPTION

FIG. 1 is a front view of a bra according to a first embodiment of the design;
 FIG. 2 is a rear view thereof;
 FIG. 3 is a right side view thereof;
 FIG. 4 is a left side view thereof;
 FIG. 5 is a front perspective view thereof;
 FIG. 6 is a rear perspective view thereof;
 FIG. 7 is a front view thereof shown in an environment of use;
 FIG. 8 is a rear view thereof;
 FIG. 9 is a rear perspective view thereof;
 FIG. 10 is a rear view thereof with the back straps thereof shown in a retracted position;
 FIG. 11 is a rear perspective view thereof;
 FIG. 12 is a rear view thereof with the back straps thereof shown in an extended position;
 FIG. 13 is a rear perspective view thereof;
 FIG. 14 is a front view of a bra according to a second embodiment of the design;
 FIG. 15 is a rear view thereof;
 FIG. 16 is a right side view thereof;
 FIG. 17 is a left side view thereof;
 FIG. 18 is a front perspective view thereof;
 FIG. 19 is a rear perspective view thereof;
 FIG. 20 is a front view thereof shown in an environment of use;
 FIG. 21 is a rear view thereof;
 FIG. 22 is a rear perspective view thereof;
 FIG. 23 is a rear view thereof with the back straps thereof shown in a retracted position;
 FIG. 24 is a rear perspective view thereof;
 FIG. 25 is a rear view thereof with the back straps thereof shown in an extended position; and,
 FIG. 26 is a rear perspective view thereof.

The portions of the bra shown in broken lines in FIGS. 1-26 do not form part of the claimed design. The broken line

(Continued)



showing of the arms, torso, neck, and head in FIGS. 7-13 and 20-26 is for the purpose of illustrating portions of the environmental structure and forms no part of the claimed design. The dot-dash broken lines shown on either end of the middle and lower horizontal back straps in FIGS. 2-4, 6, and 8-13 and on either end of the middle horizontal back strap in FIGS. 15-17, 19, and 21-26 are for illustrating the boundary of the design only and do not form part of the claimed design. The order in which the straps cross over one another on the back of the bra does not form part of the claimed design, that is, a first strap shown crossing over a second strap may alternatively cross under the second strap and vice versa.

1 Claim, 26 Drawing Sheets

- (58) **Field of Classification Search**
CPC A41C 3/00; A41C 3/12; A41C 3/0057
See application file for complete search history.

(56)

References Cited

U.S. PATENT DOCUMENTS

D786,531	S	*	5/2017	Holmes	D2/706
D798,536	S	*	10/2017	Holmes	D2/708
D805,730	S	*	12/2017	Lorett	D2/706
D811,040	S	*	2/2018	Pornillos	D2/706
D816,942	S	*	5/2018	Holmes	D2/706
D857,335	S	*	8/2019	Holmes	D2/708
2017/0273365	A1	*	9/2017	Muhlenfeld	A41B 1/08

OTHER PUBLICATIONS

Lululemon Free to be wild Strappy Sports Bra, posted 2018 [online], (retrieved Mar. 9, 2020). Retrieved from the internet, https://www.amazon.com/Lululemon-Free-Strappy-Sports-Black/dp/B01BQUOA10/ref=pd_sbs_200_1/140-2395075-4176949?_encoding=UTF8&pd_rd%2E2%80%A6 (Year: 2018).*

* cited by examiner

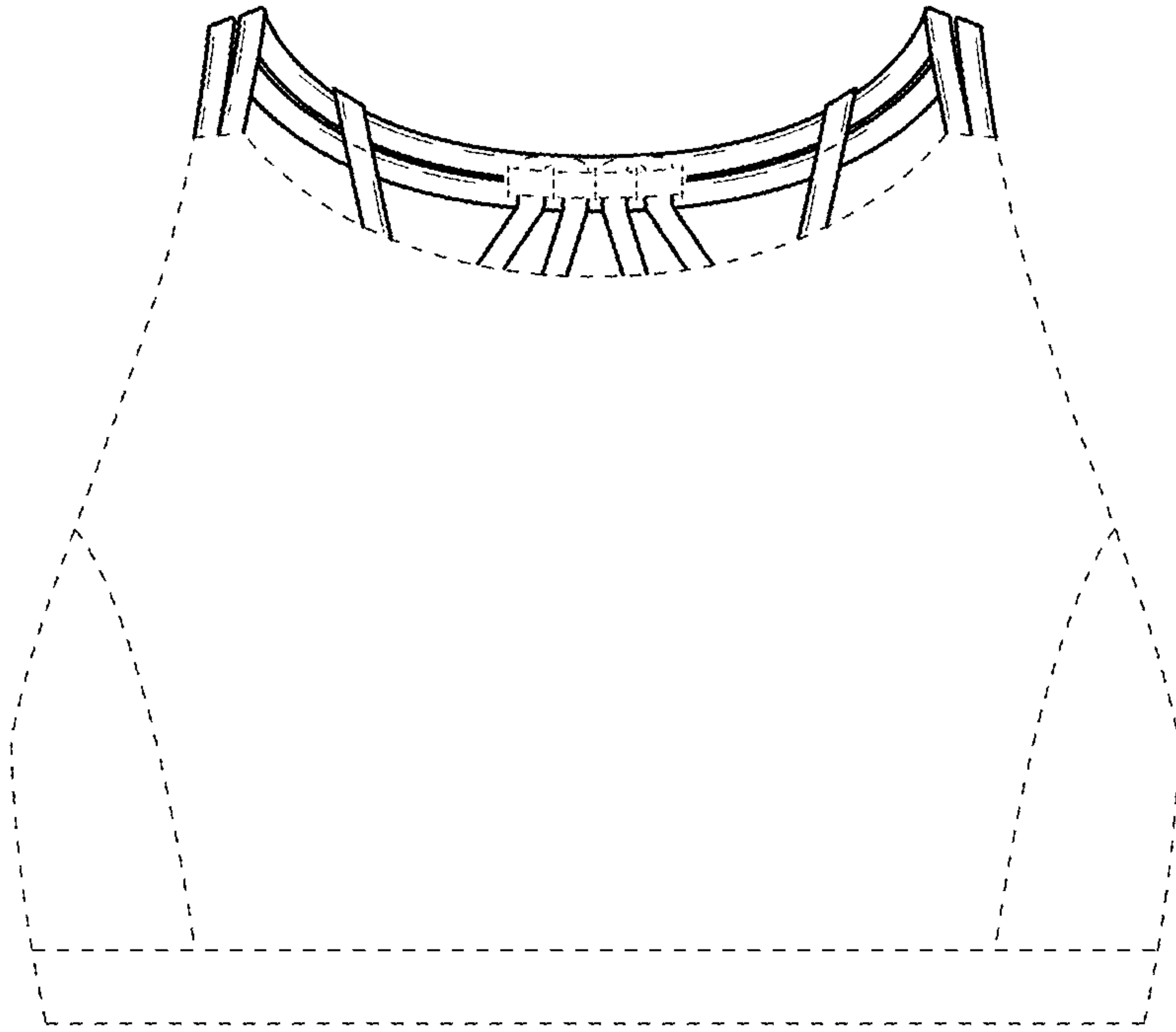


FIG. 1

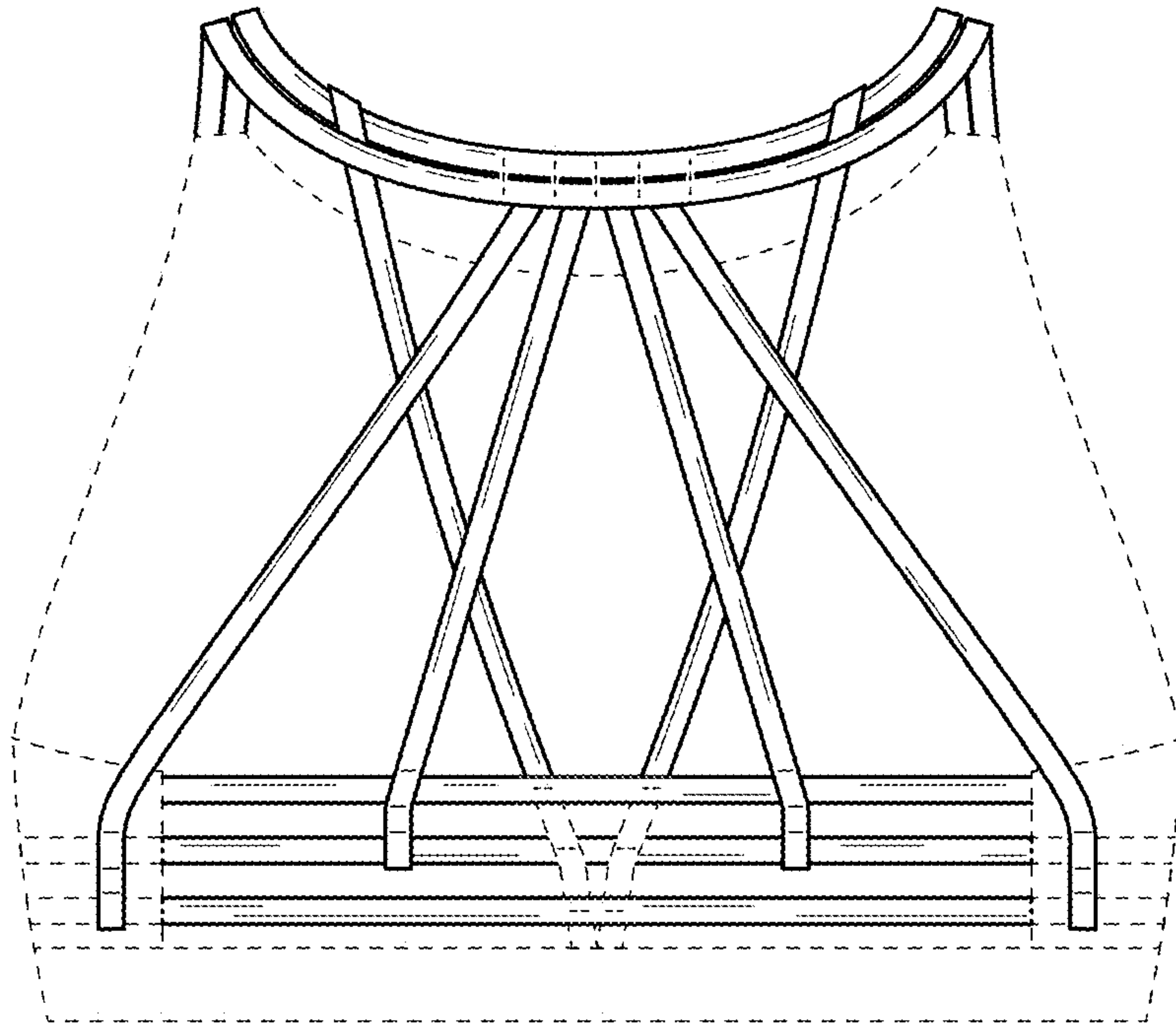


FIG. 2

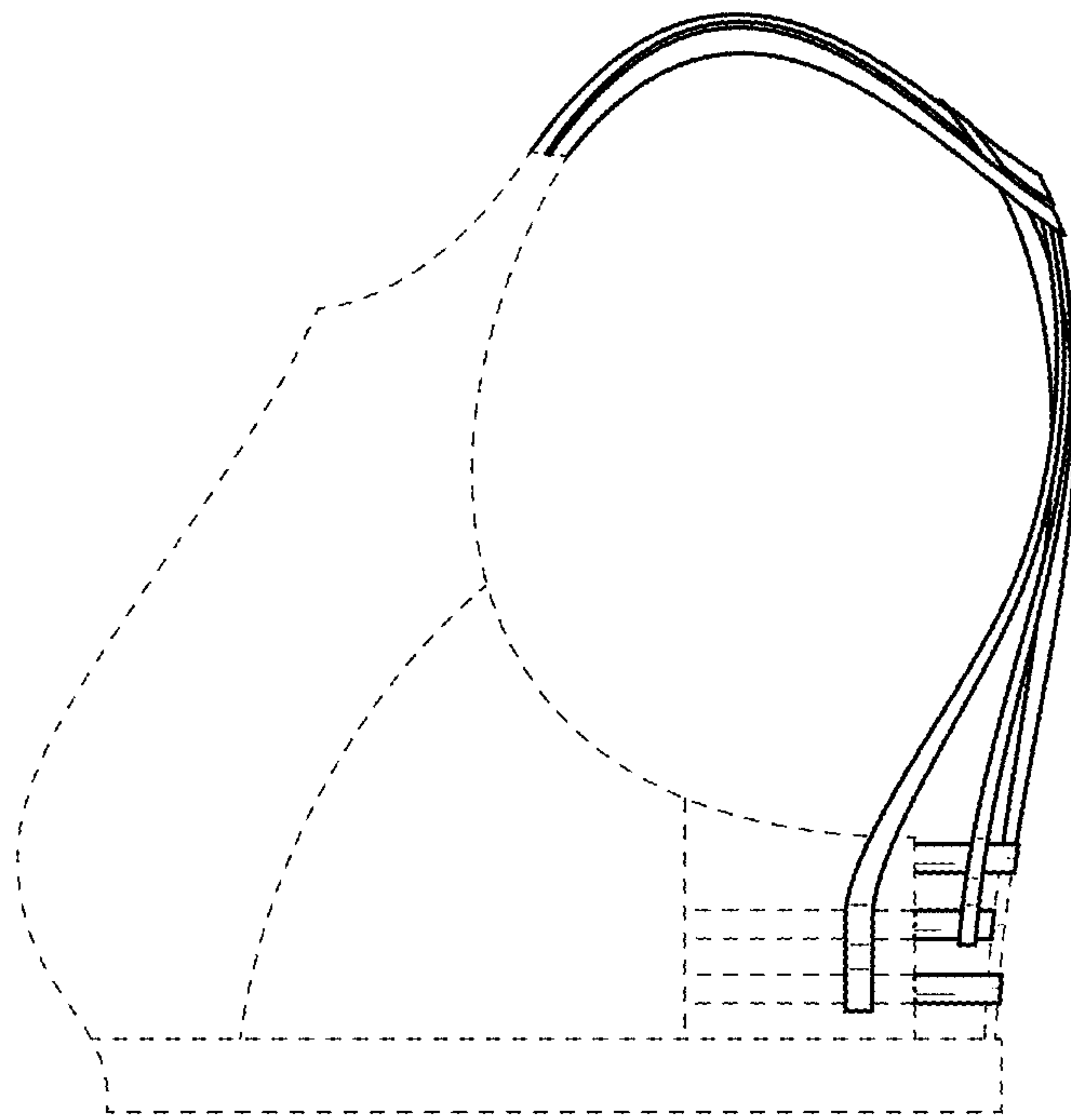


FIG. 3

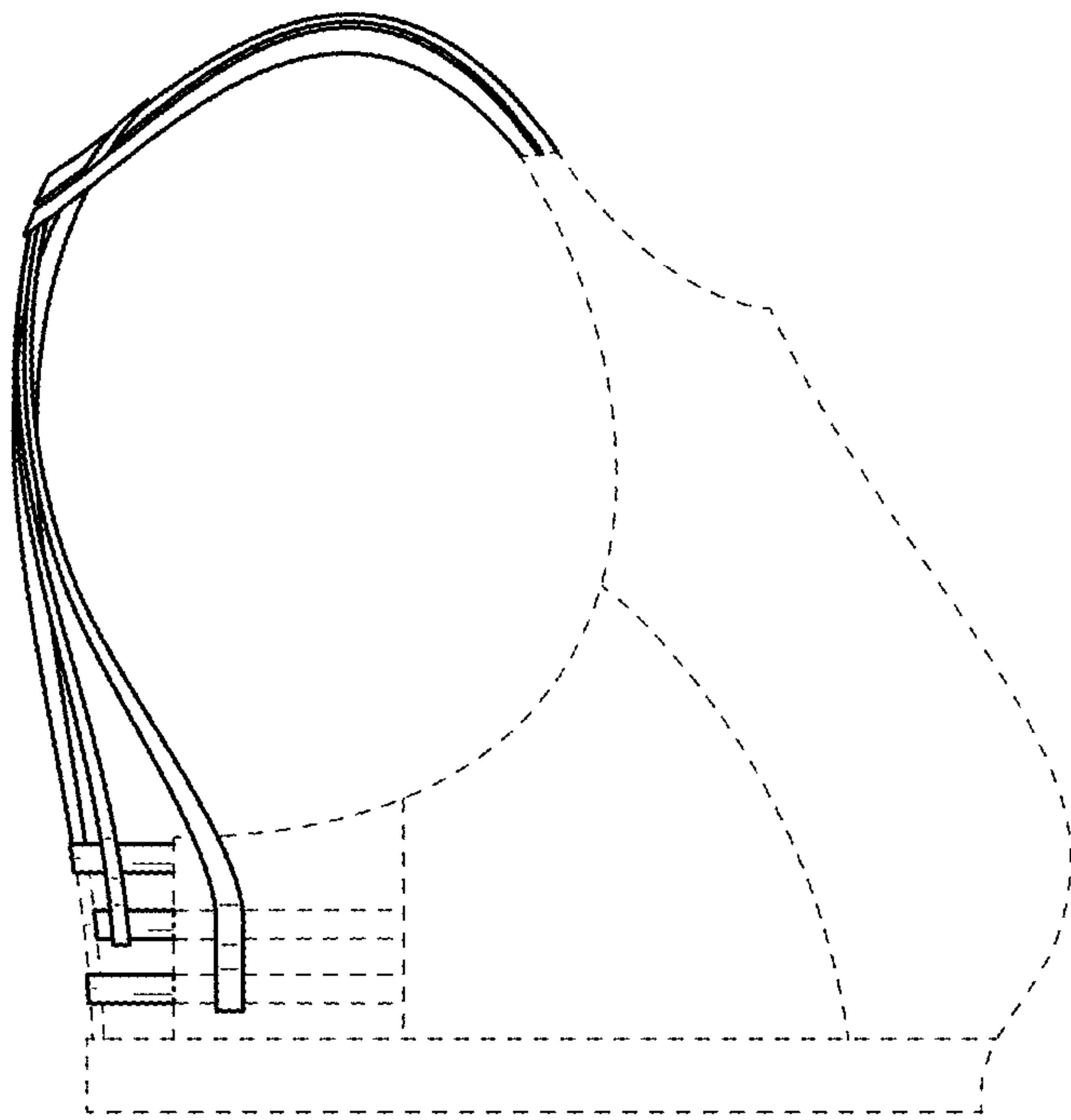


FIG. 4

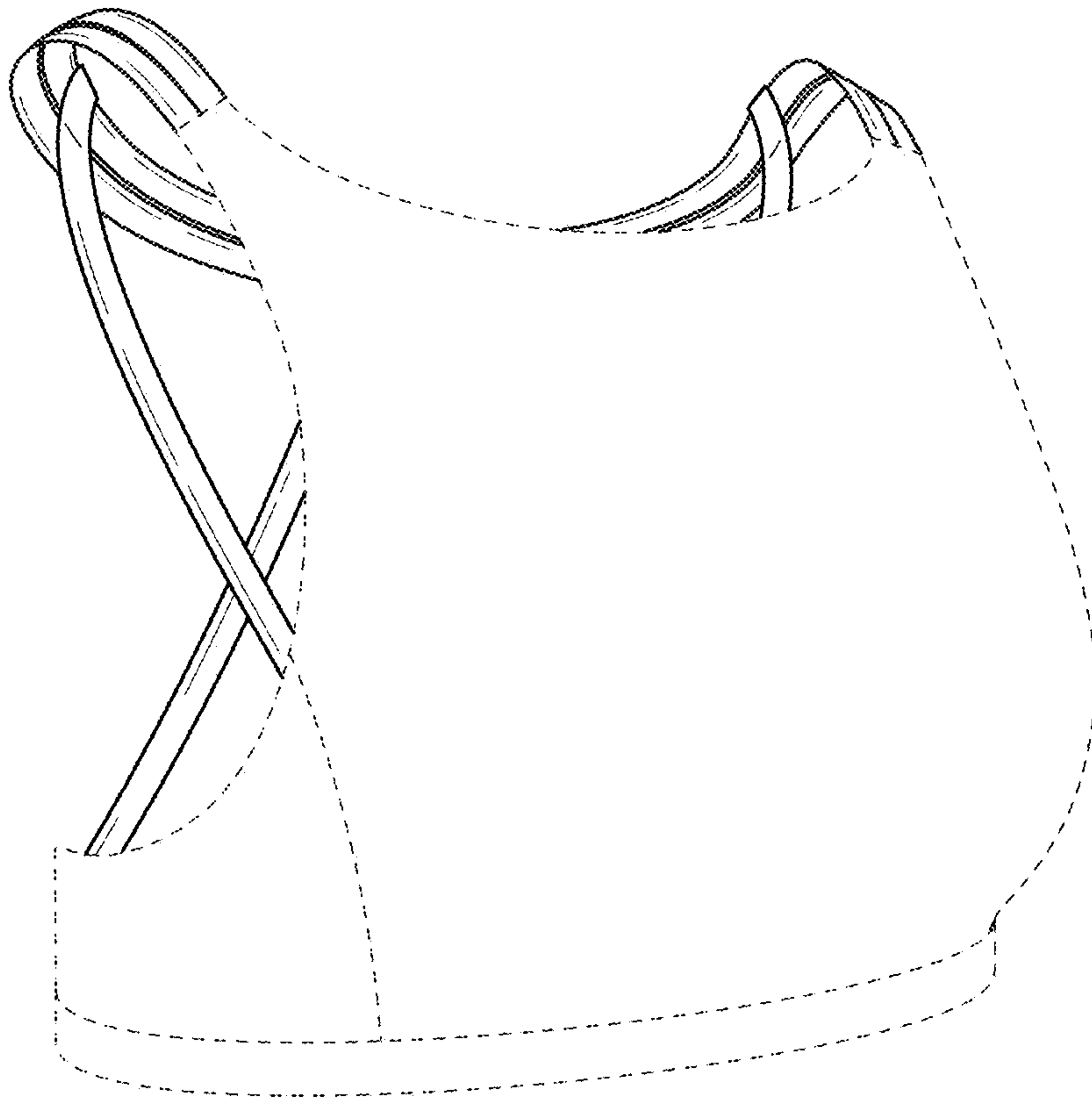


FIG. 5

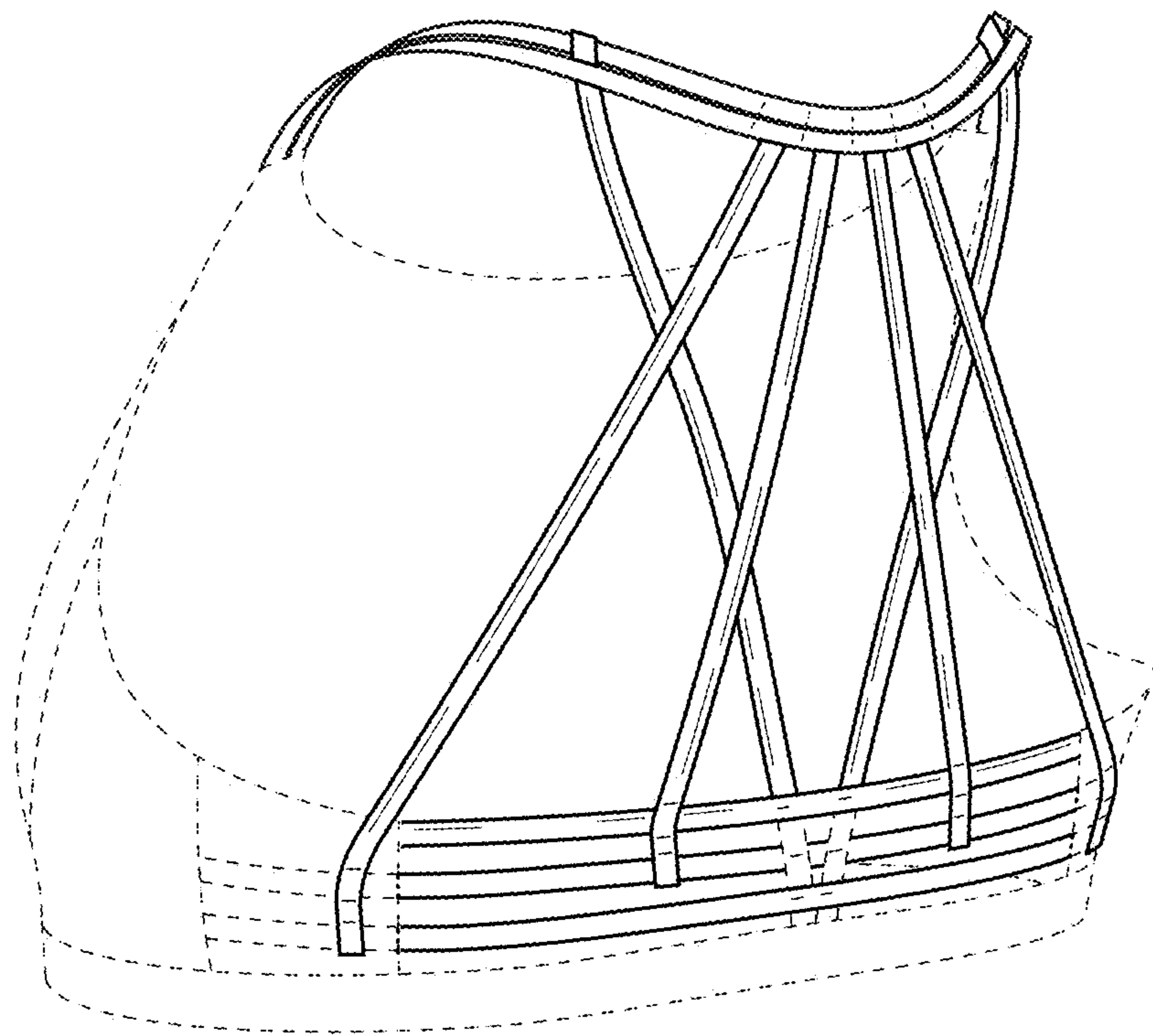


FIG. 6

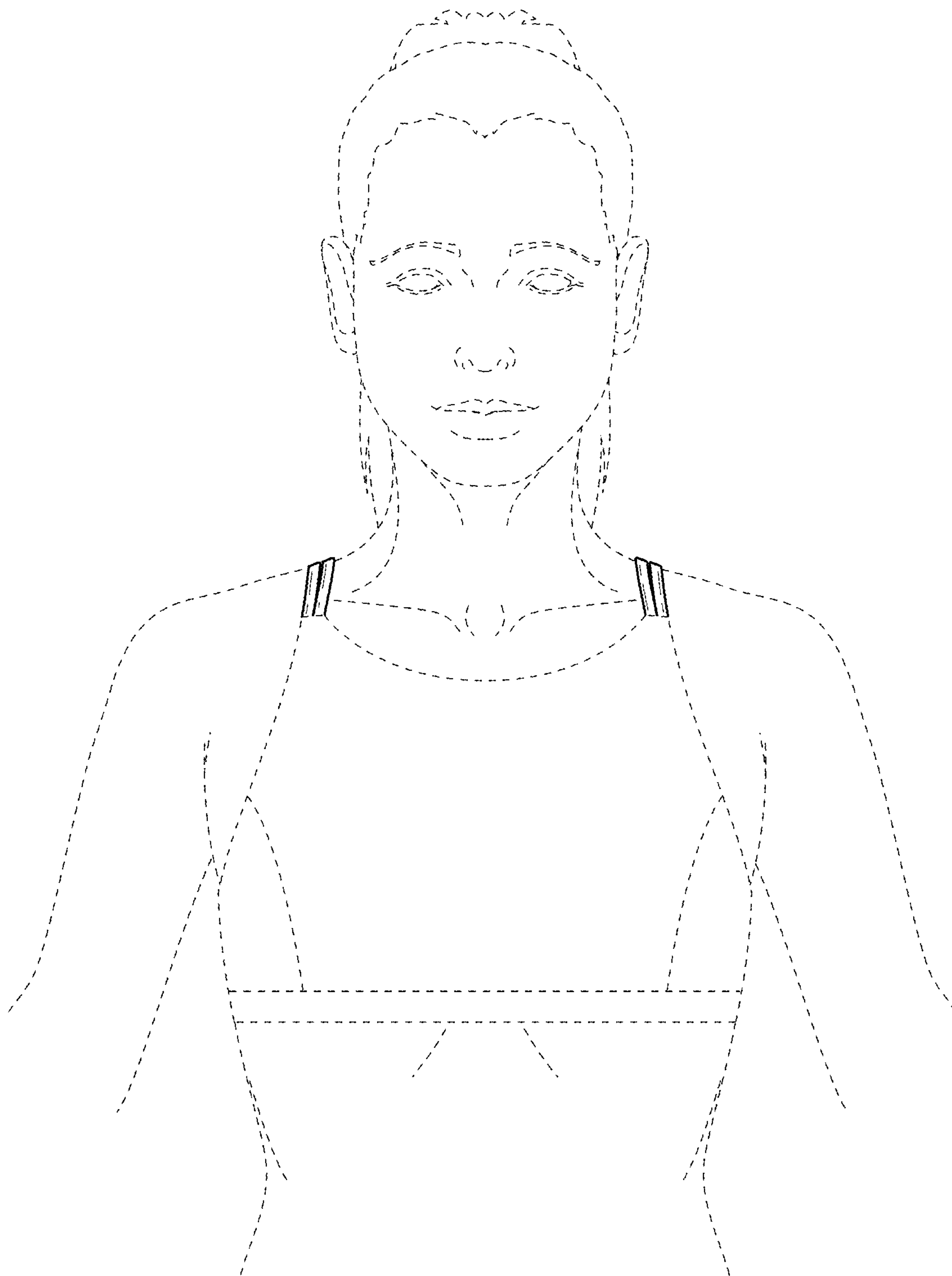


FIG. 7

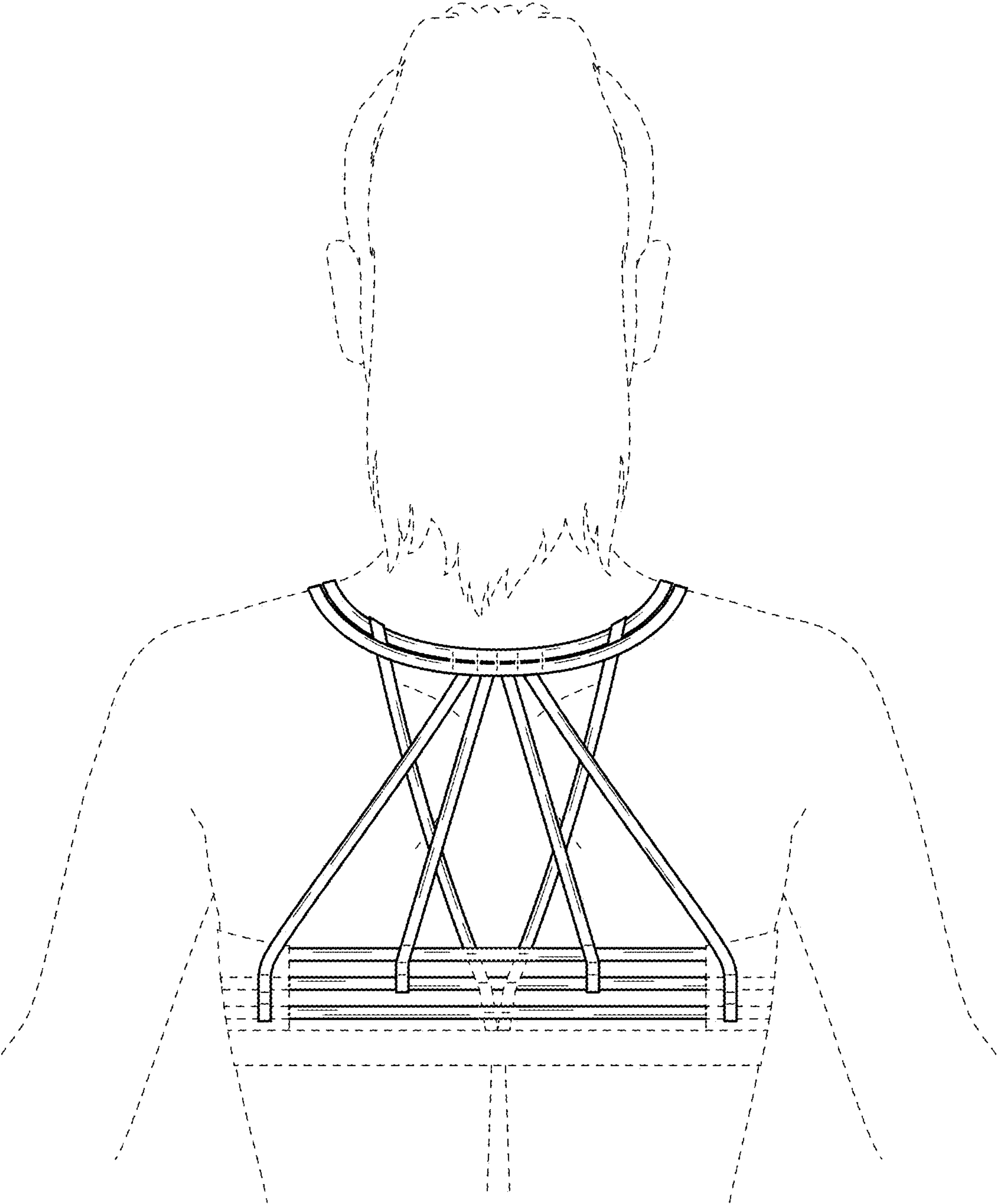


FIG. 8

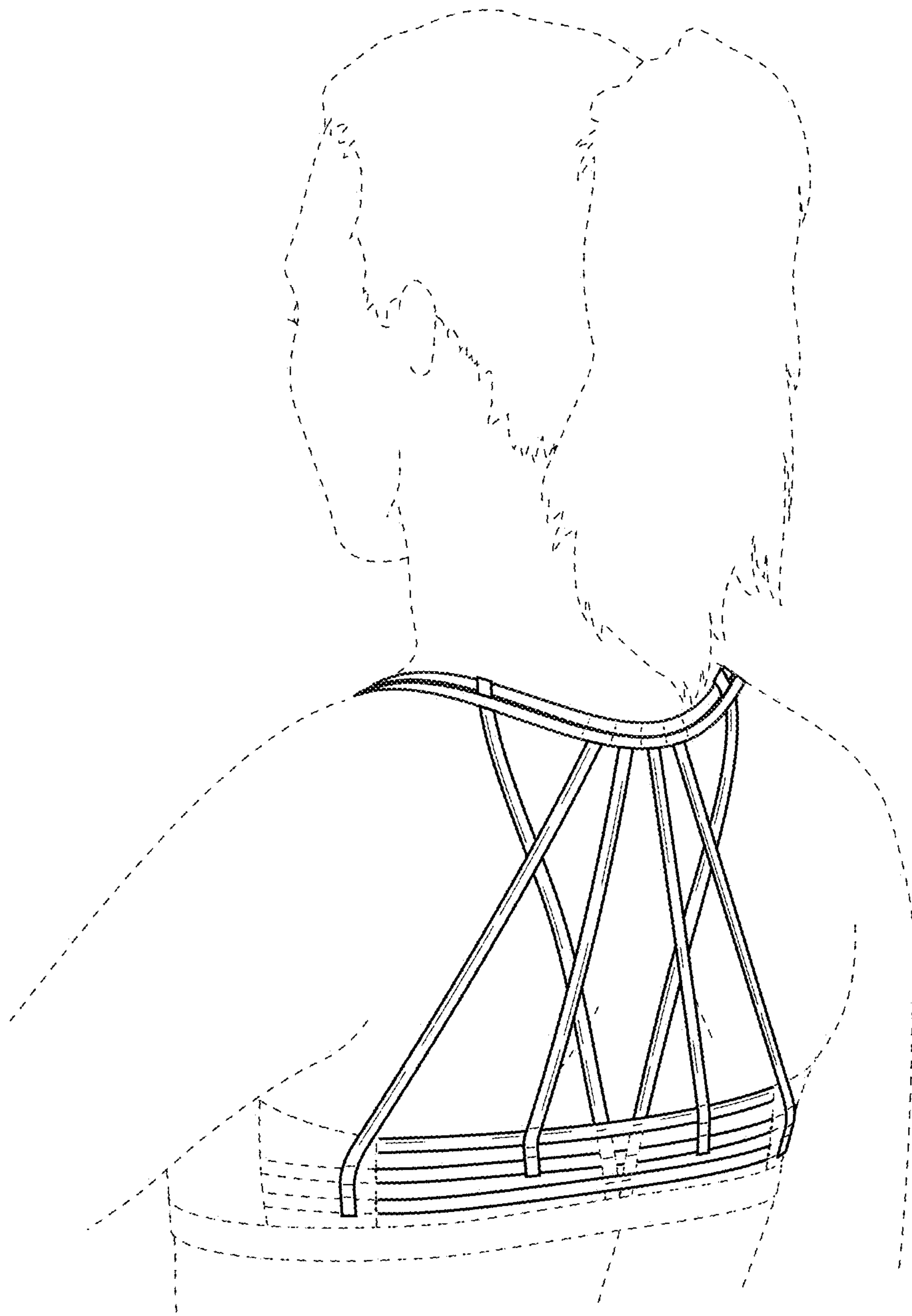


FIG. 9

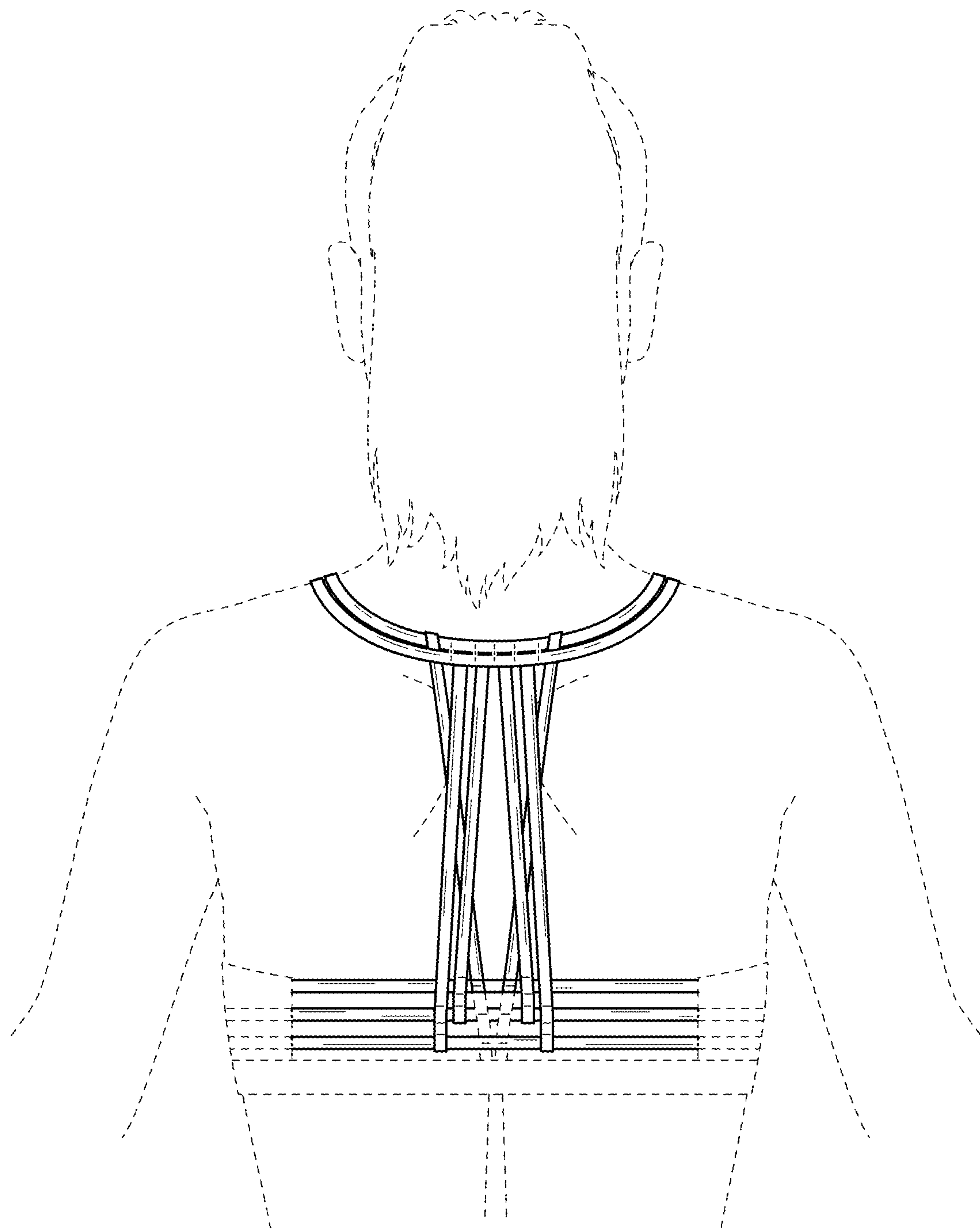


FIG. 10

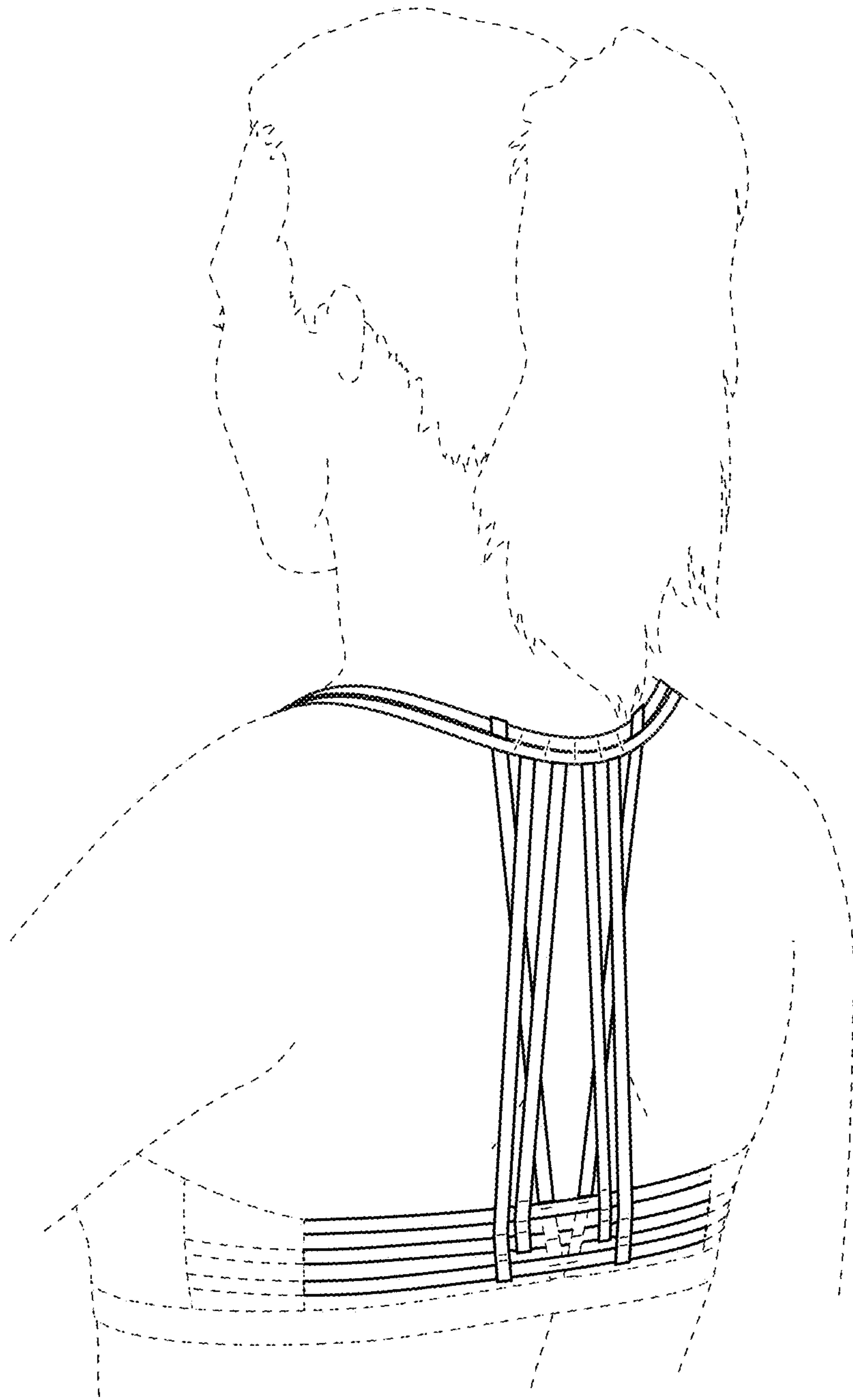


FIG. 11

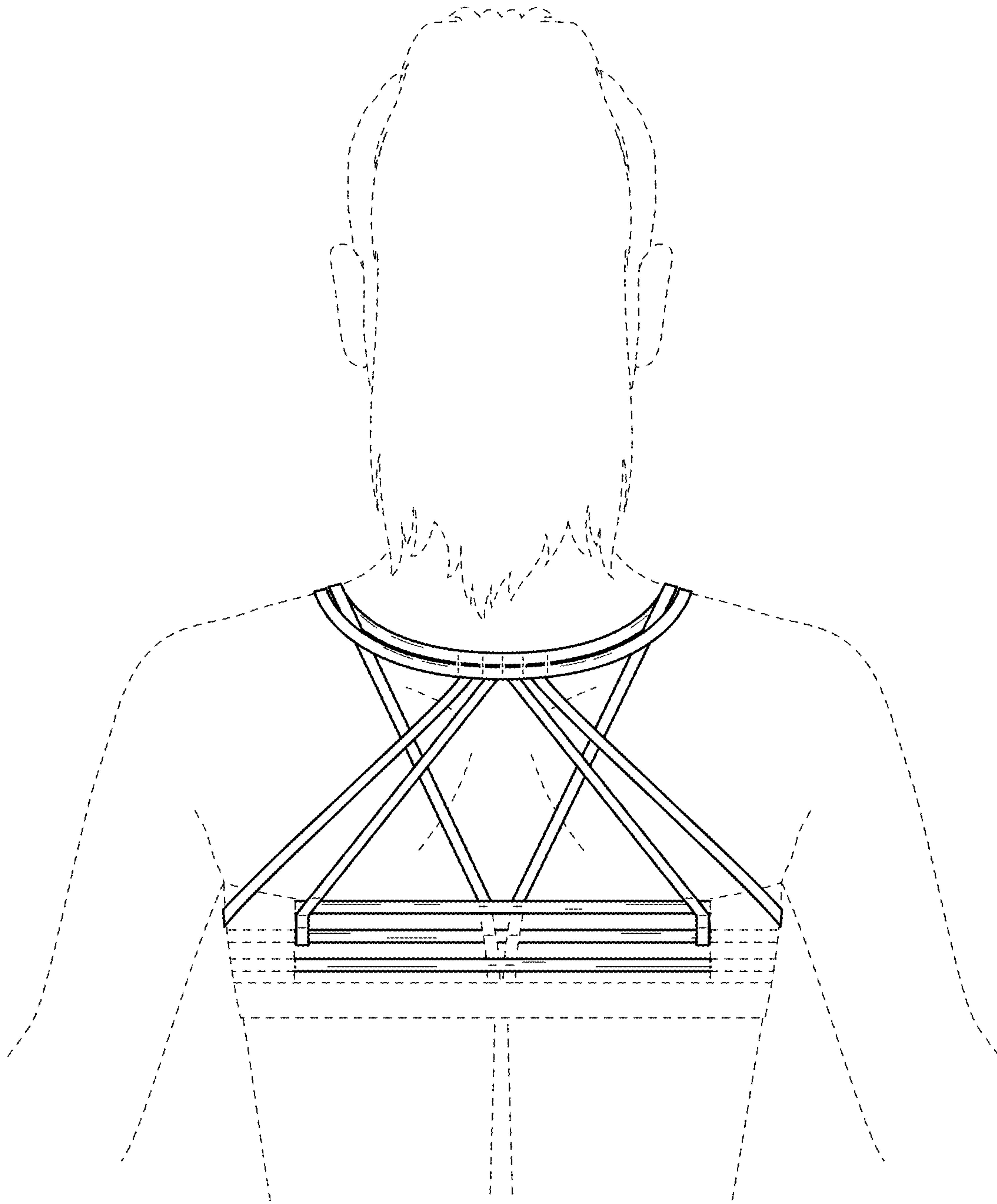


FIG. 12

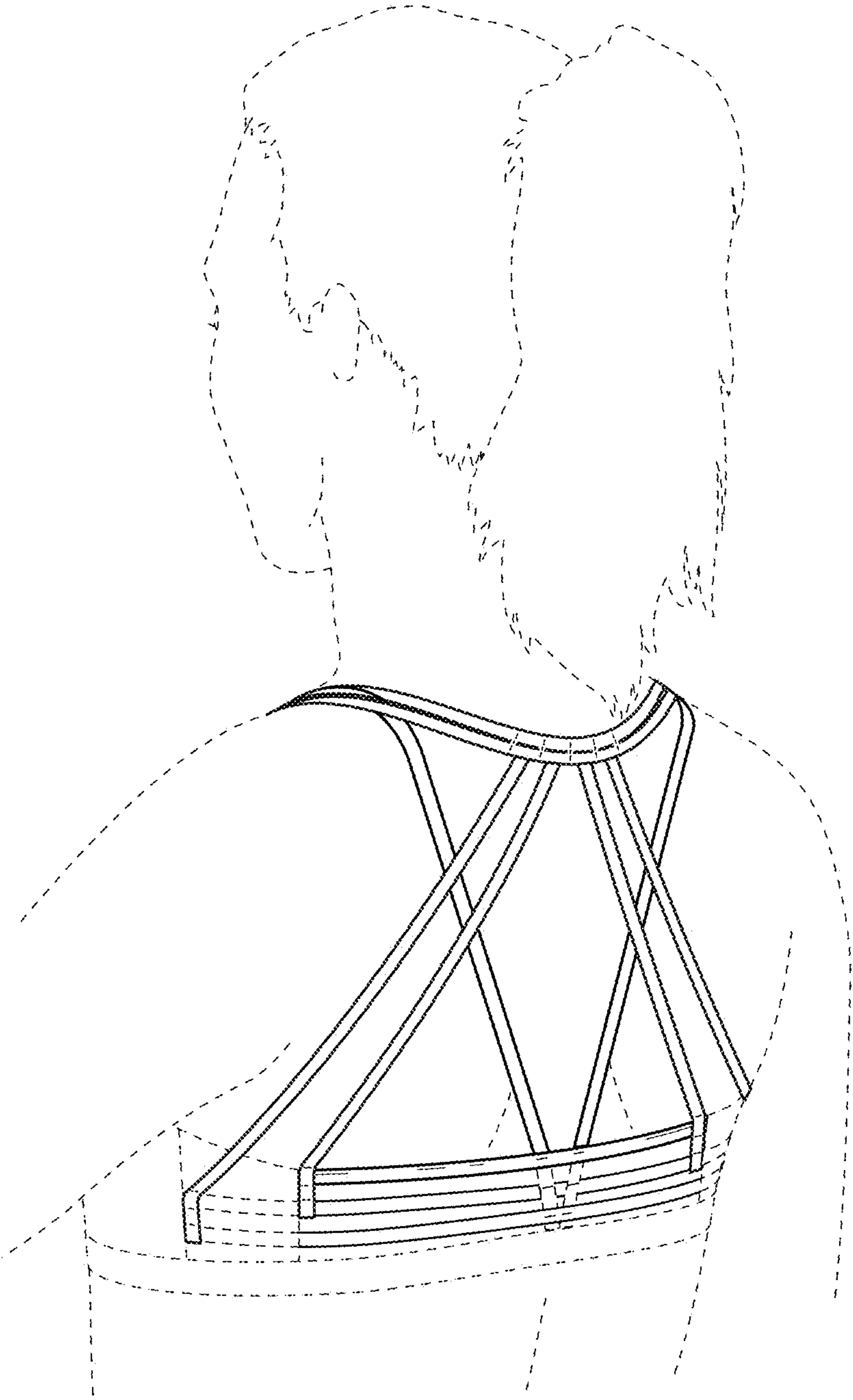


FIG. 13

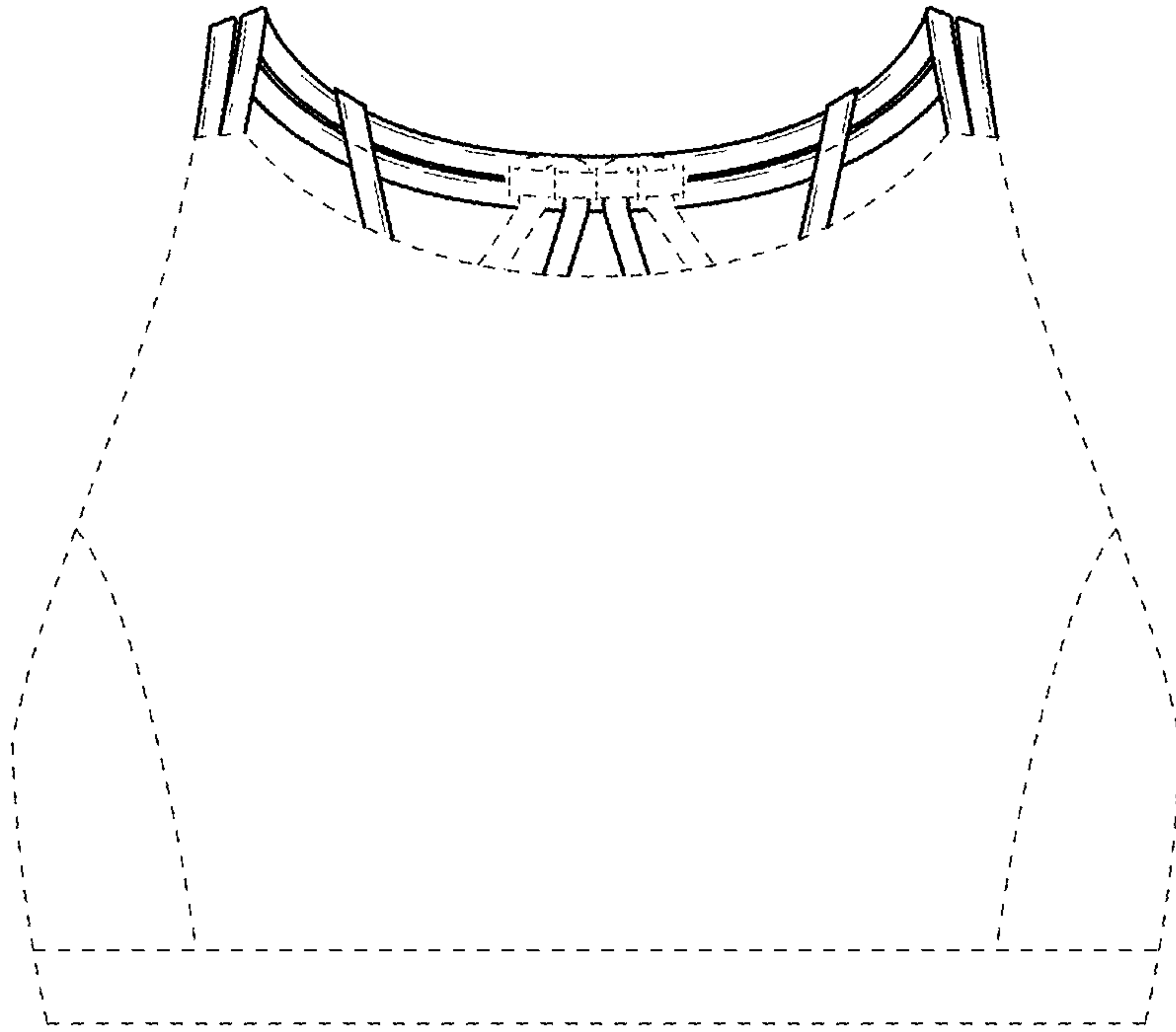


FIG. 14

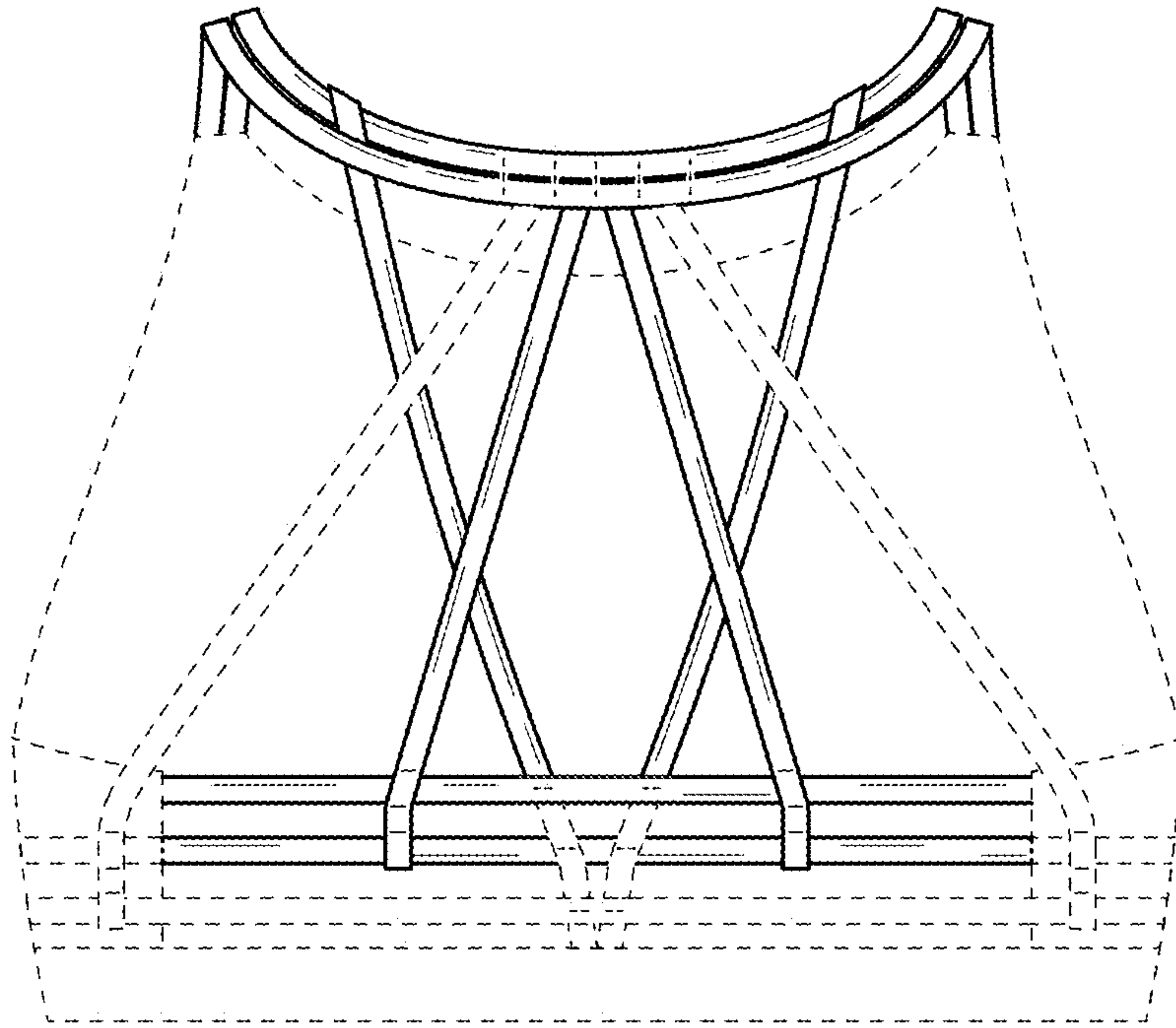


FIG. 15

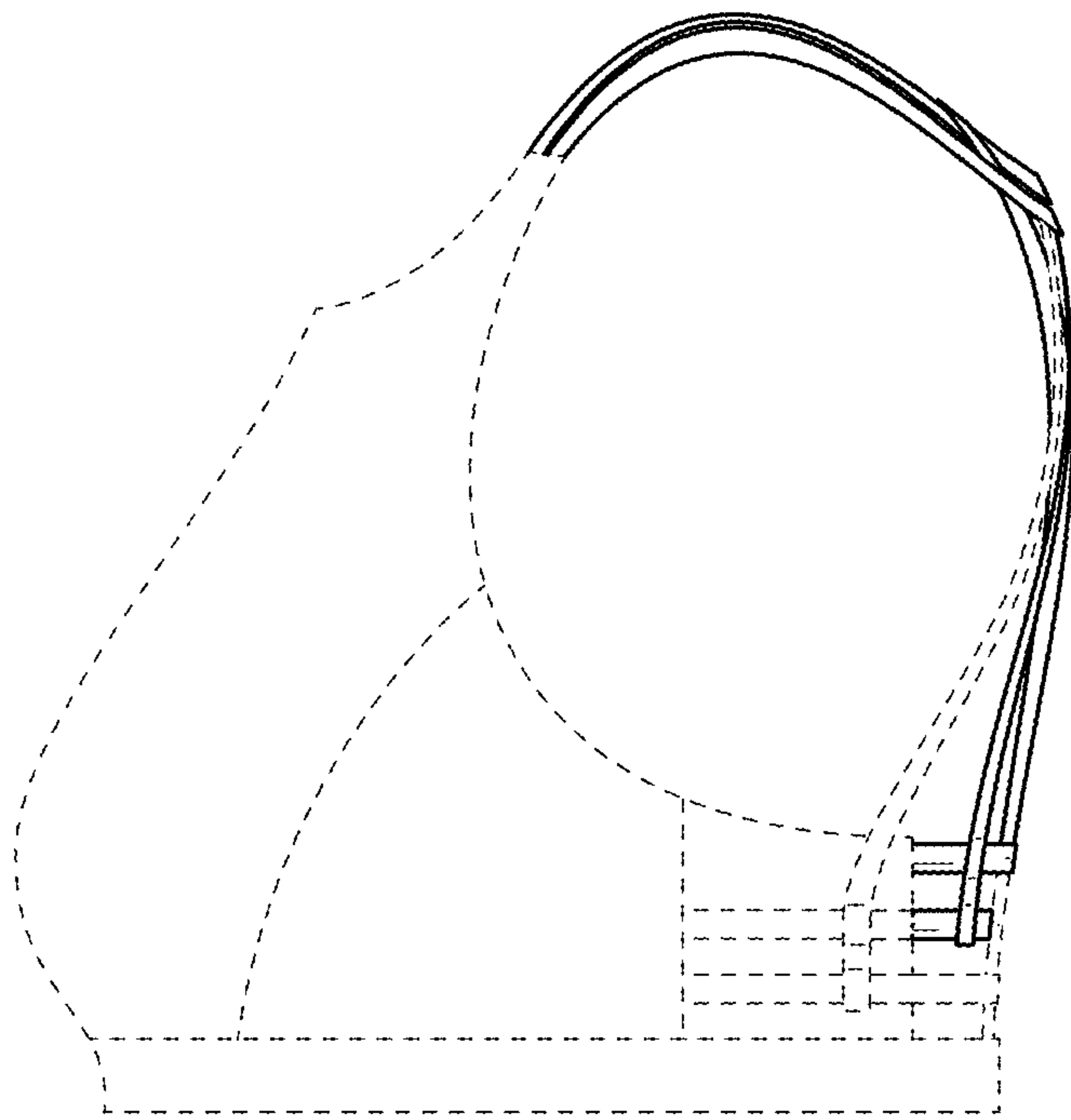


FIG. 16

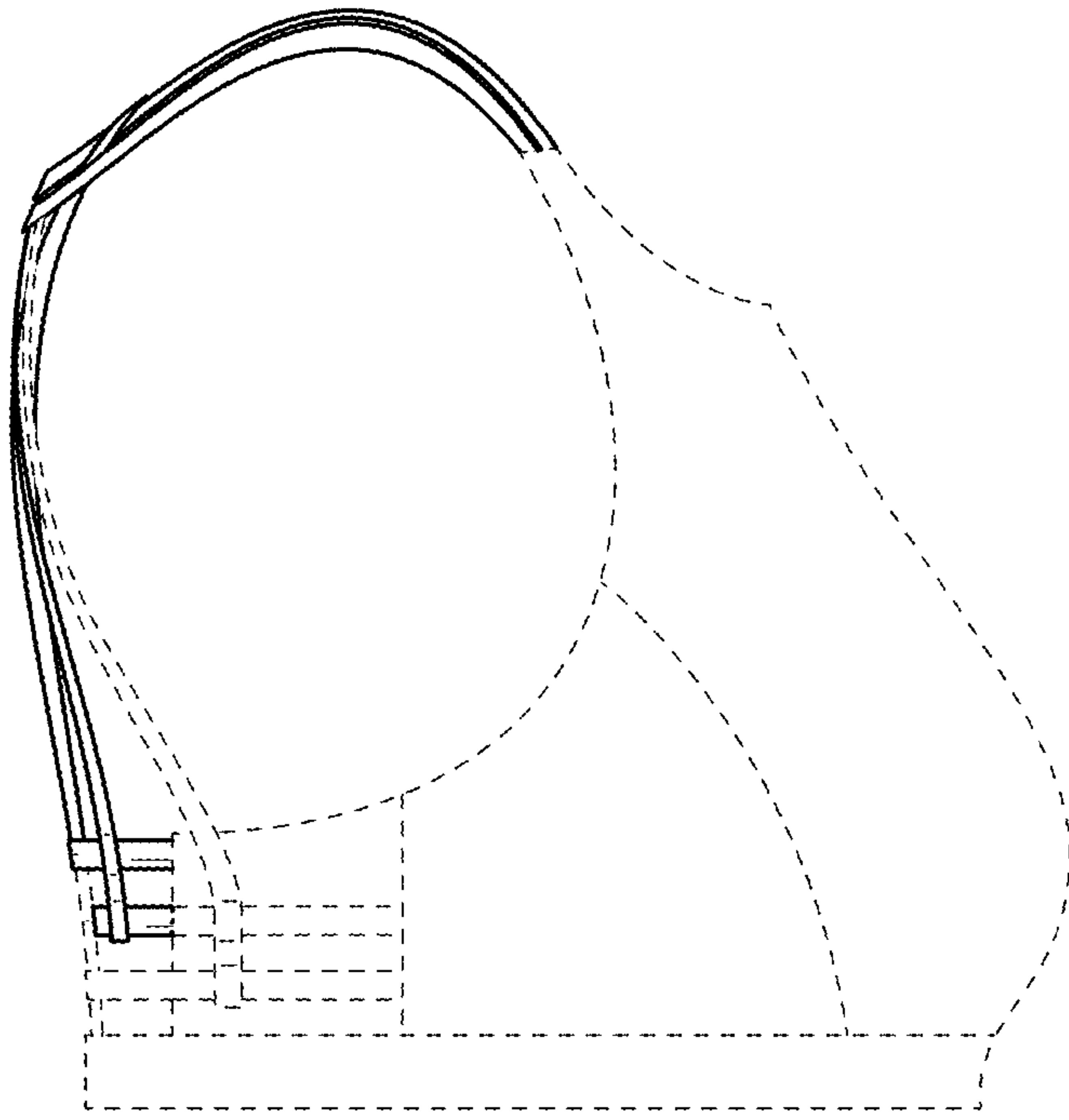


FIG. 17

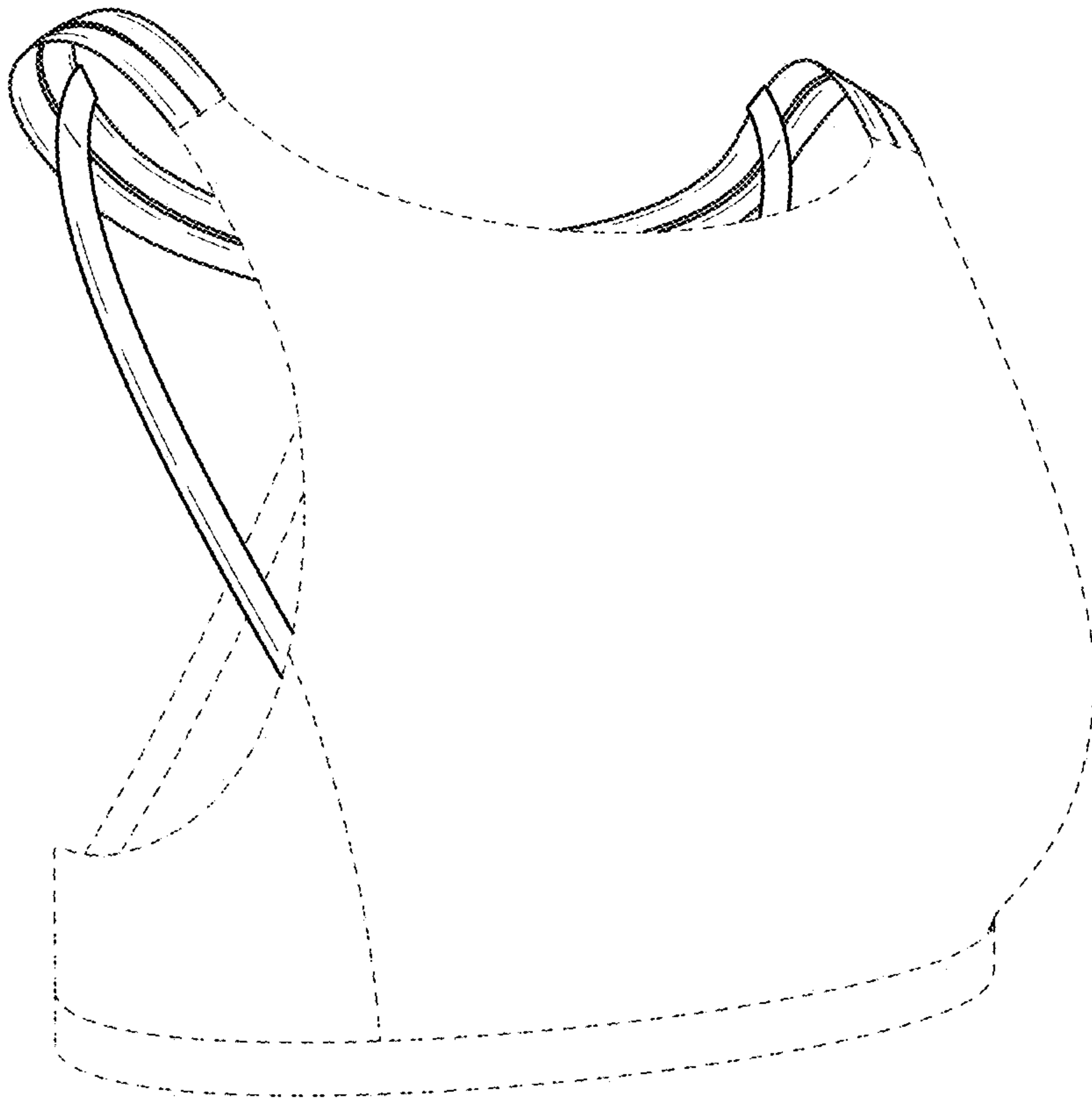


FIG. 18

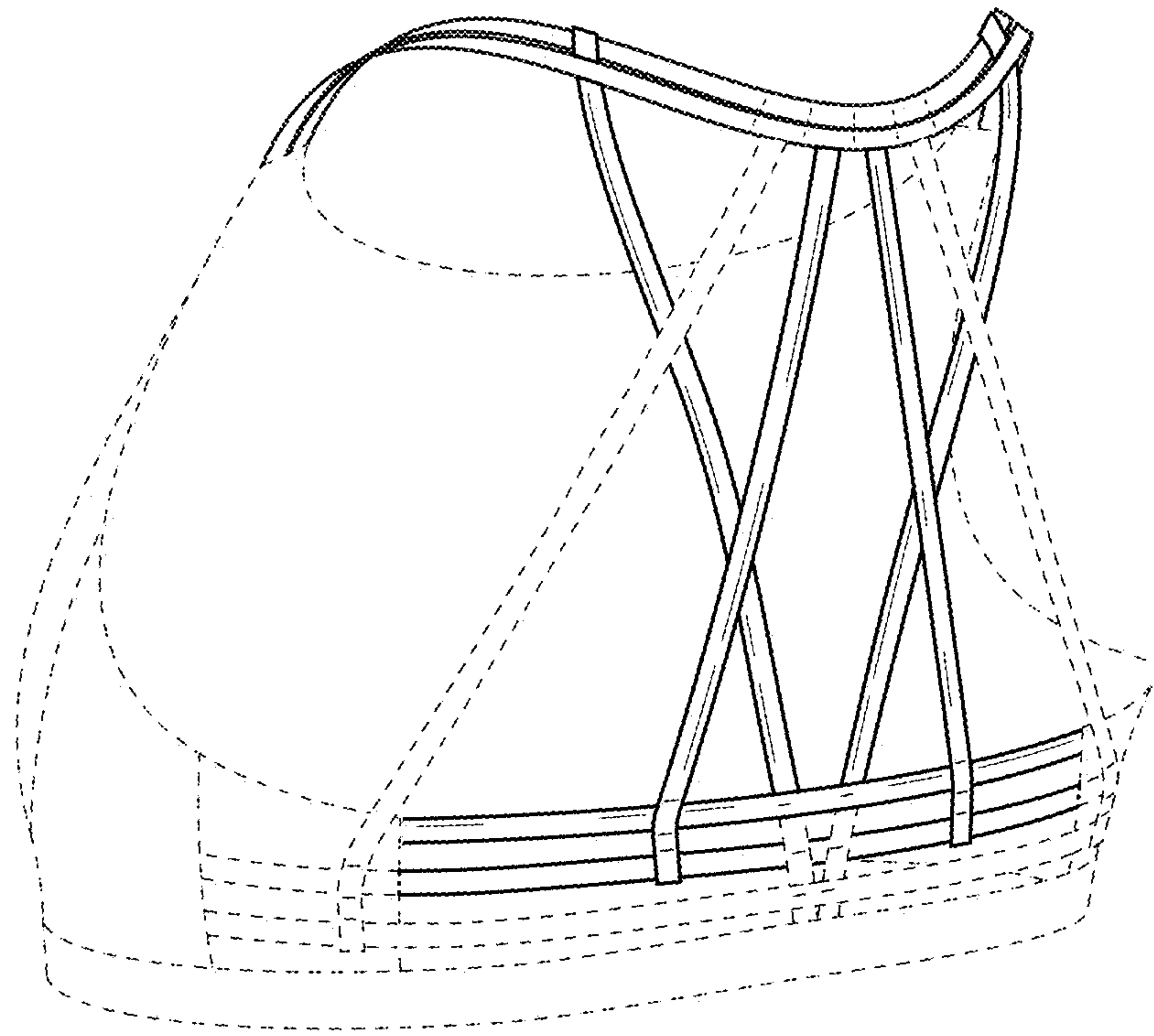


FIG. 19

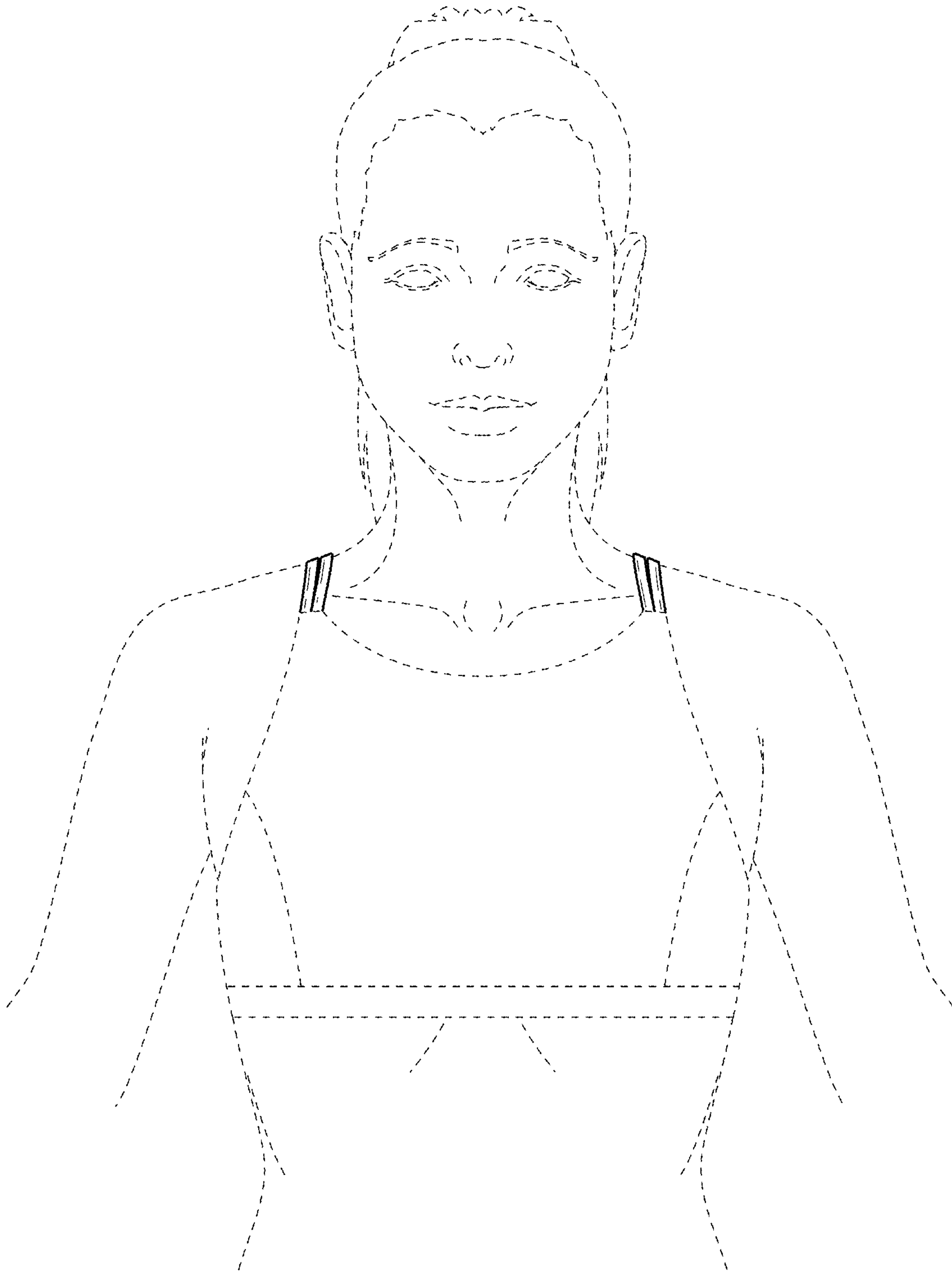


FIG. 20

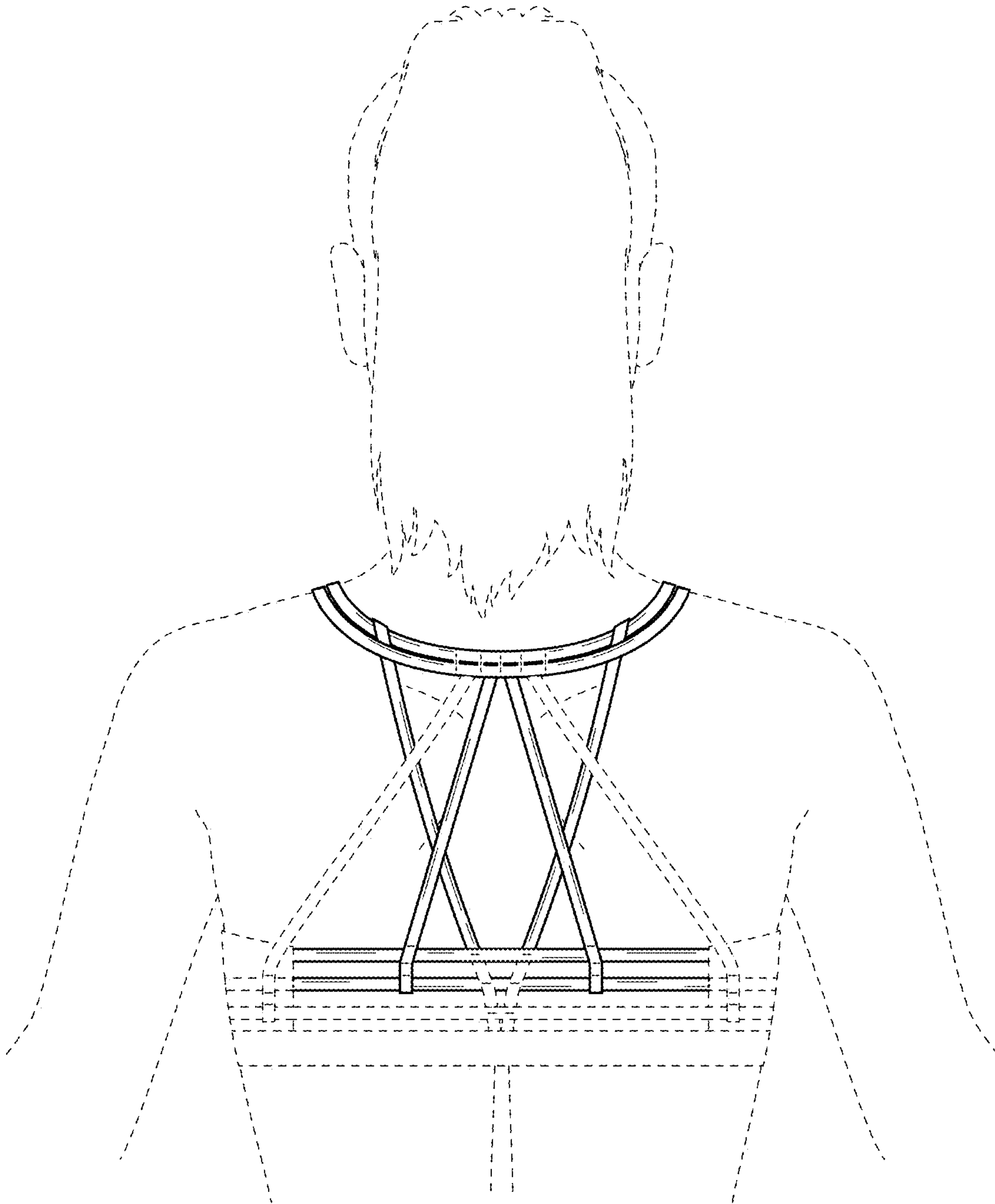


FIG. 21

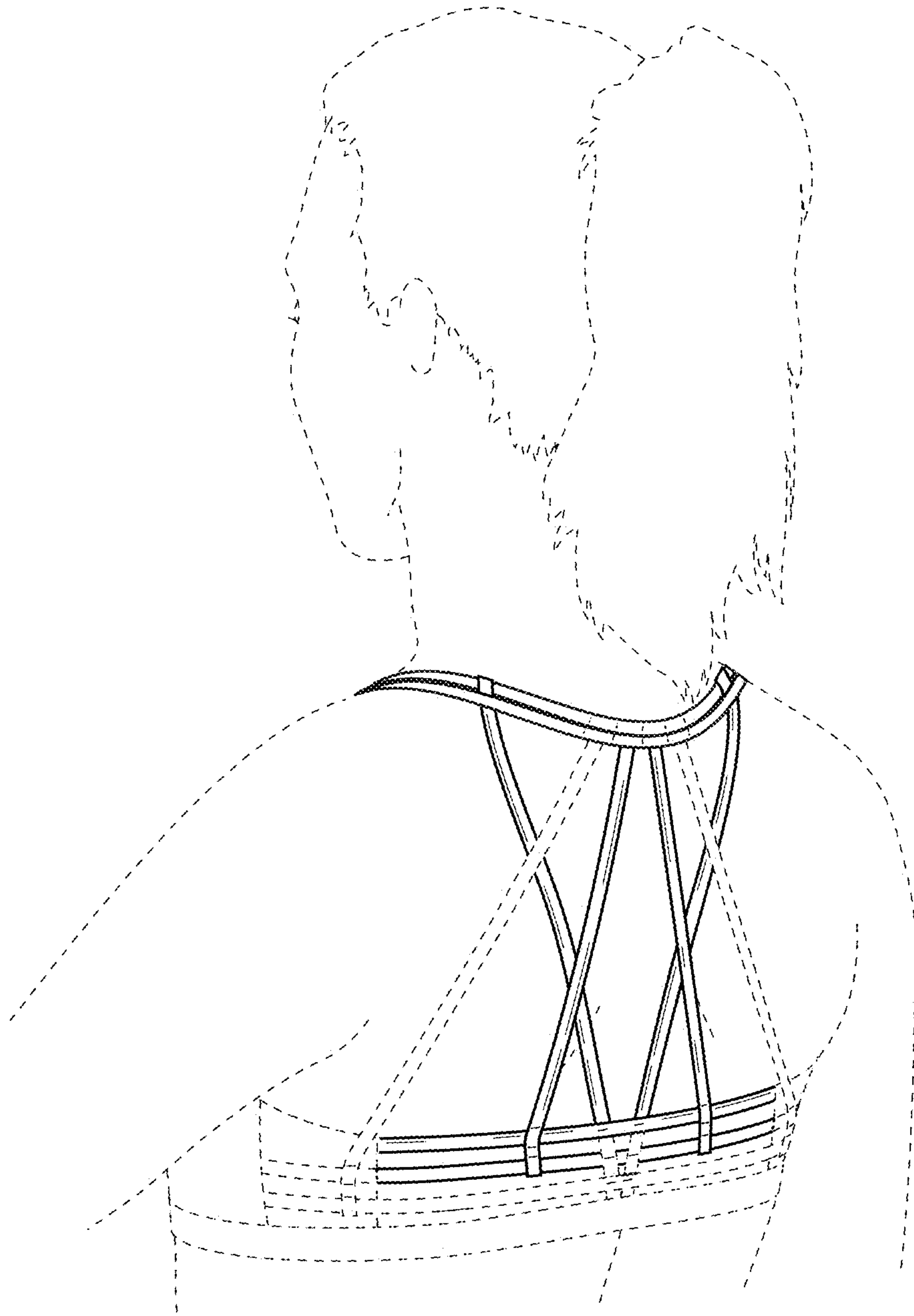


FIG. 22

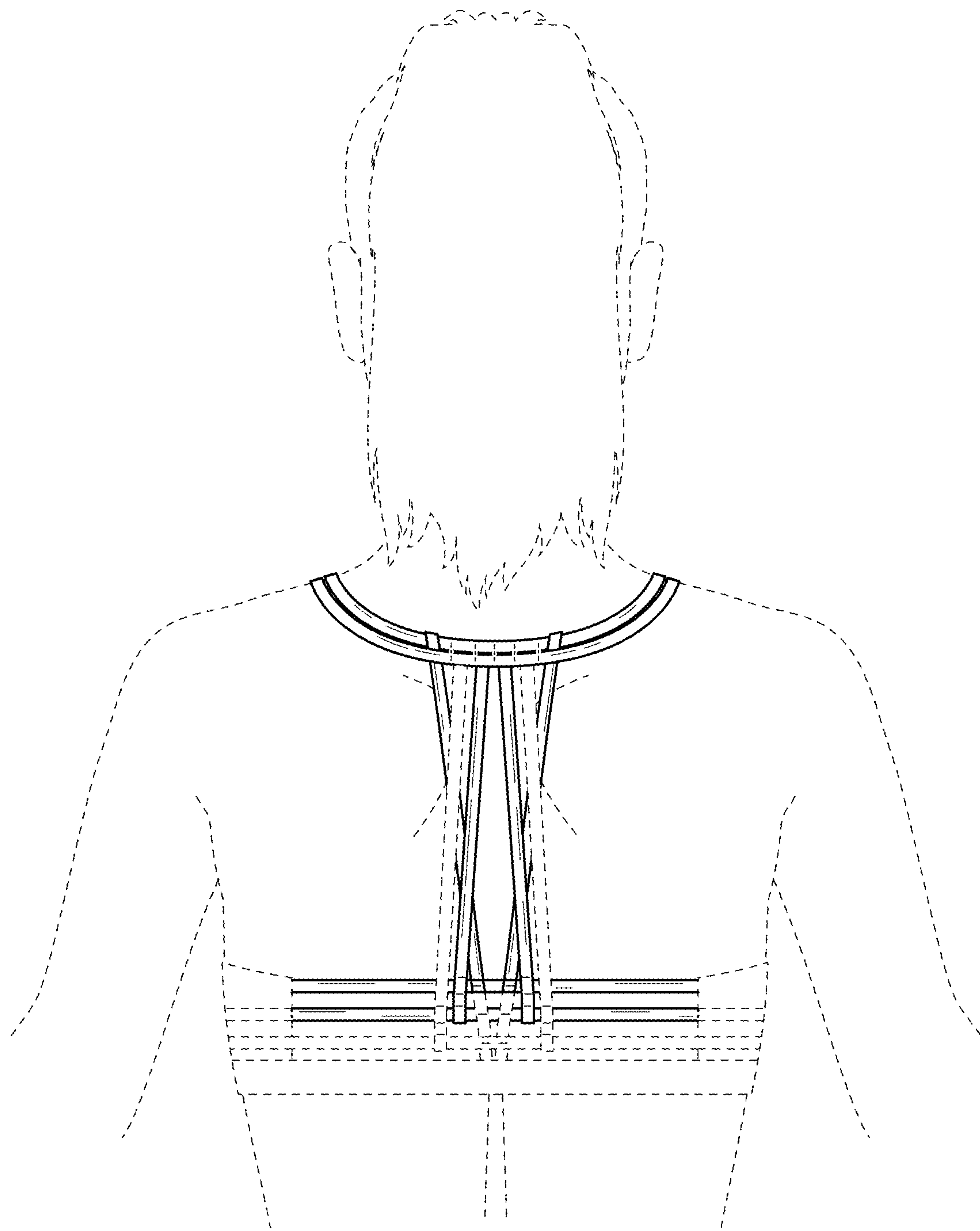


FIG. 23

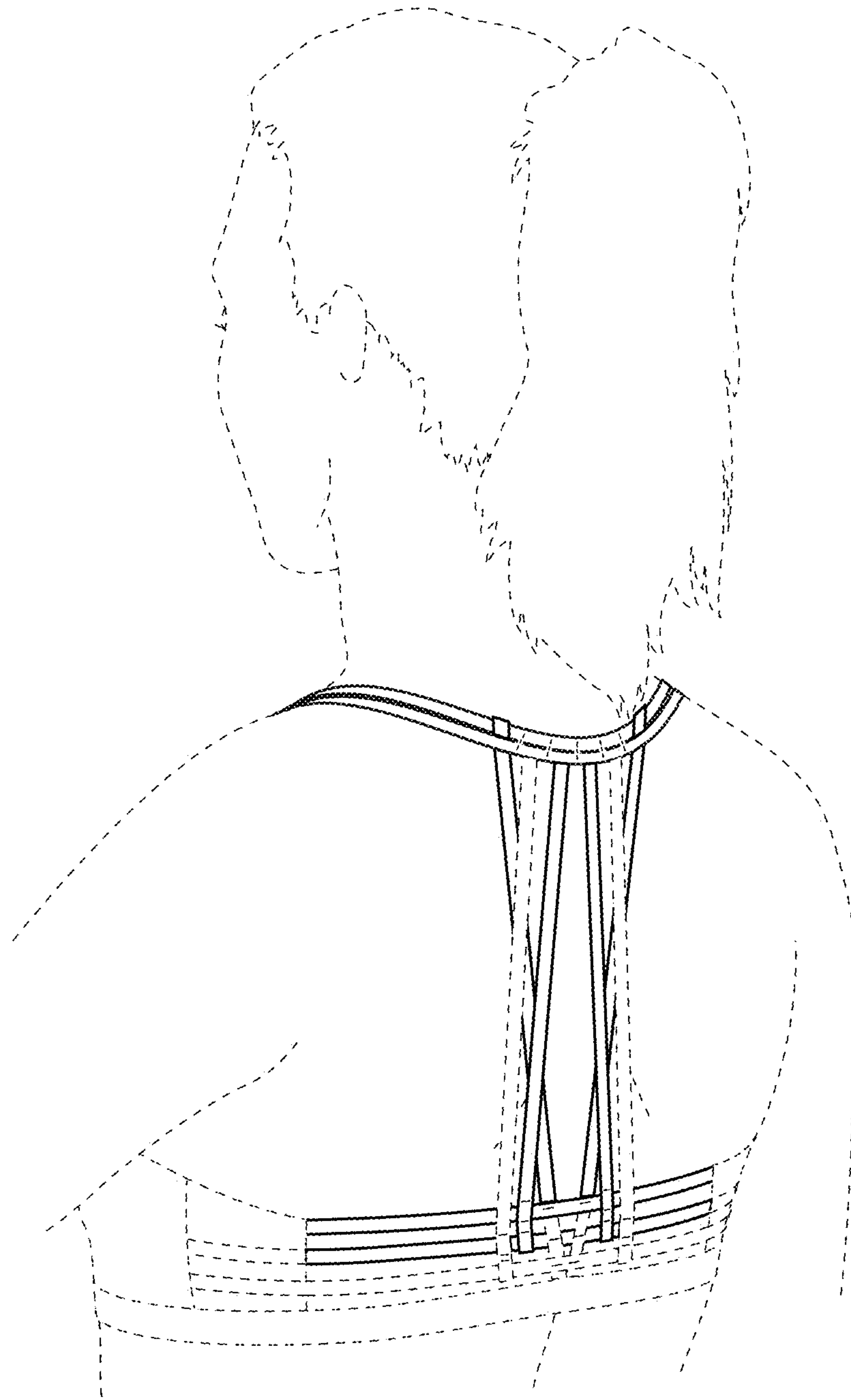


FIG. 24

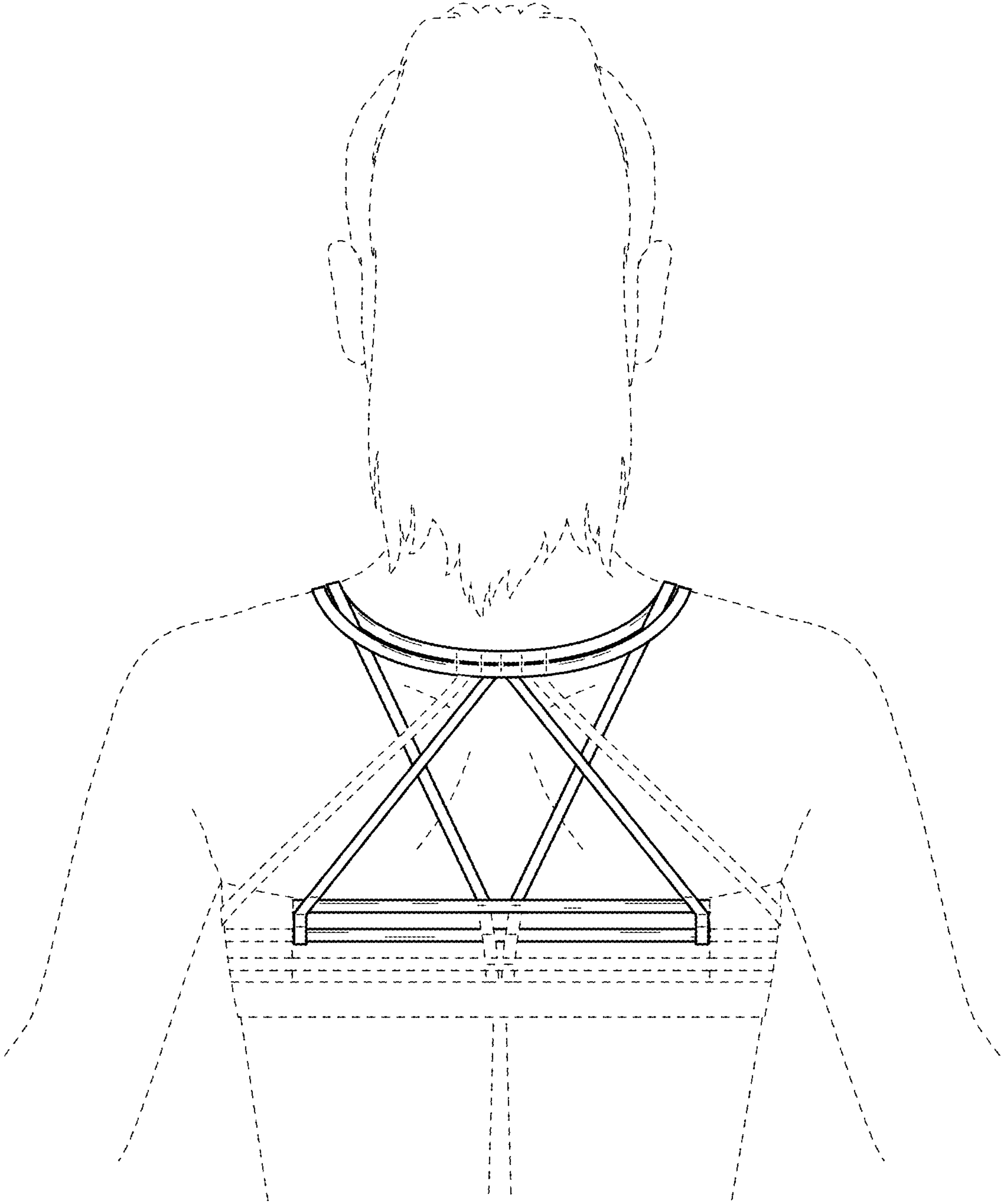


FIG. 25

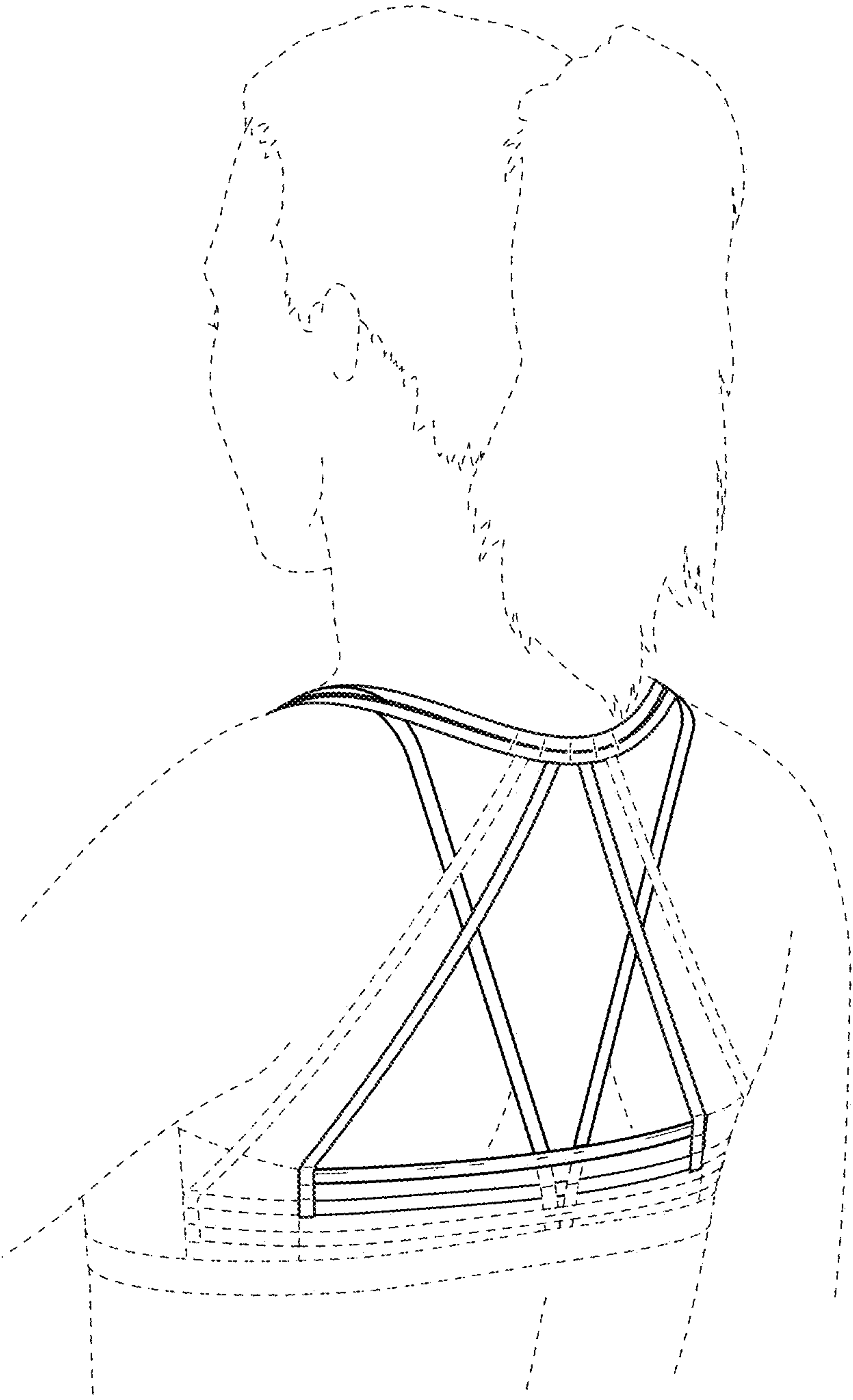


FIG. 26