



US00D885706S

(12) **United States Design Patent**
Bindra et al.

(10) **Patent No.:** **US D885,706 S**
(45) **Date of Patent:** **** Jun. 2, 2020**

- (54) **CONFECTION**
- (71) Applicant: **Intercontinental Great Brands LLC**,
East Hanover, NJ (US)
- (72) Inventors: **Mandeep Bindra**, East Hanover, NJ
(US); **William Hirt**, East Hanover, NJ
(US); **Shelley Markoulis**, East
Hanover, NJ (US)
- (73) Assignee: **INTERCONTINENTAL GREAT
BRANDS LLC**, East Hanover, NJ (US)
- (**) Term: **15 Years**
- (21) Appl. No.: **29/700,143**
- (22) Filed: **Jul. 31, 2019**

- D260,691 S * 9/1981 Hines D28/8.1
- D272,317 S 1/1984 Parmentier
- D283,739 S * 5/1986 Tovey D24/103
- D285,493 S 9/1986 Tovey
- D285,729 S 9/1986 Tovey
- D302,337 S 7/1989 Bresloff et al.
- D302,481 S * 7/1989 Miller D24/103
- D331,279 S * 11/1992 Tovey D24/101

(Continued)

FOREIGN PATENT DOCUMENTS

- CA 2552171 C 7/2005
- MX PA06007543 A 8/2006

OTHER PUBLICATIONS

Notice of Allowance; U.S. Appl. No. 29/654,508, filed Jun. 25, 2018; Confectionery Packaging; Notification Date: May 22, 2019; pp. 1-20.

Primary Examiner — Katie Jane Stofko

(74) *Attorney, Agent, or Firm* — Cantor Colburn LLP

CLAIM

We claim, the ornamental design for a confection, as shown and described.

DESCRIPTION

FIG. 1 is a front, top and right side perspective view of a confection;
 FIG. 2 is a top plan view thereof;
 FIG. 3 is a bottom plan view thereof;
 FIG. 4 is a right side elevation view thereof;
 FIG. 5 is a left side elevation view thereof;
 FIG. 6 is a front elevation view thereof; and,
 FIG. 7 is a rear elevation view thereof.

The evenly-spaced broken lines in FIGS. 1-4, 6 and 7 illustrate portions of the confection that form no part of the claimed design. The dash-dot-dash broken lines in FIGS. 1-3, 6 and 7 illustrate the boundary of the claimed design which forms no part thereof.

1 Claim, 5 Drawing Sheets

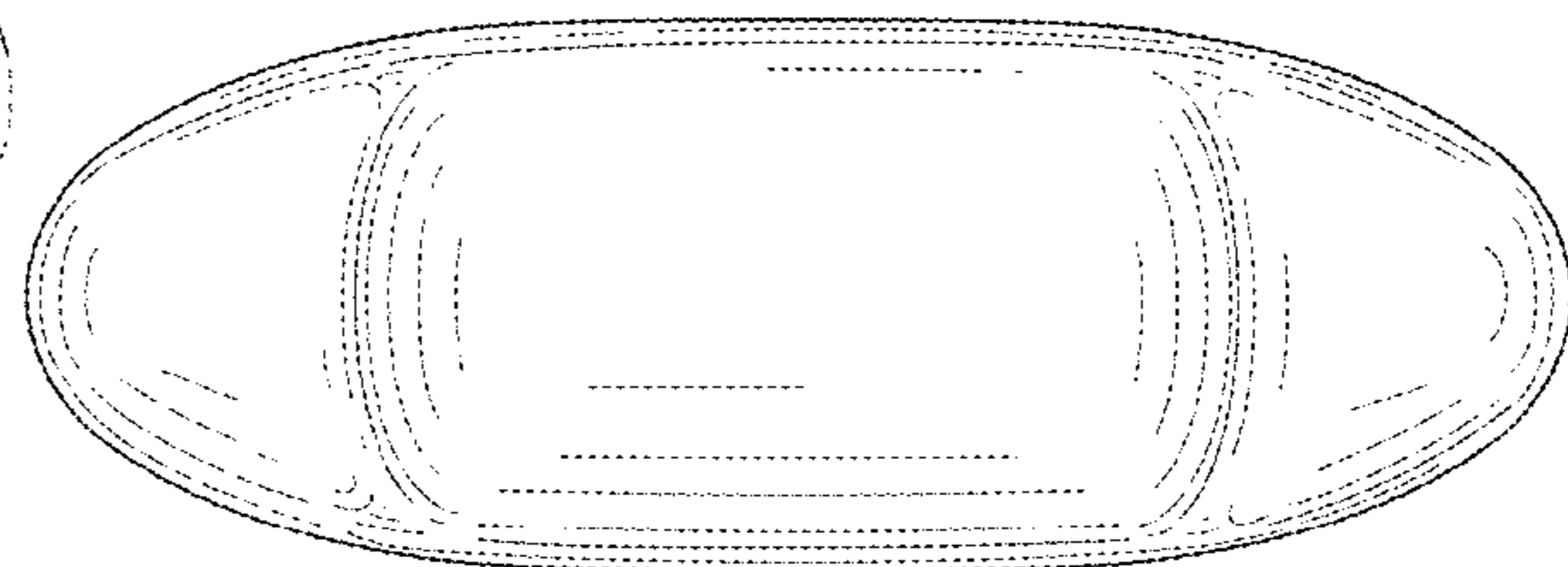
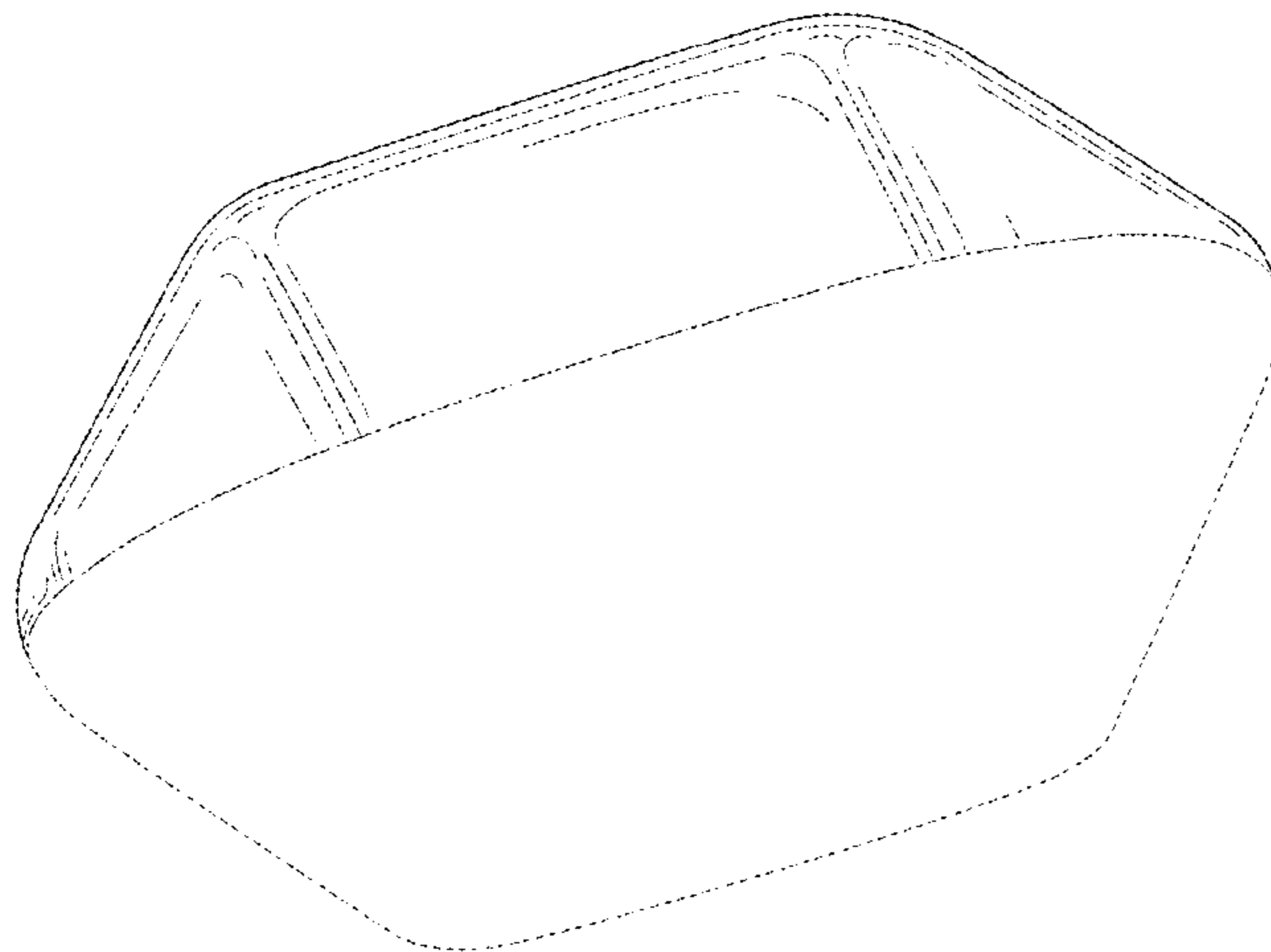
Related U.S. Application Data

- (62) Division of application No. 29/630,323, filed on Dec. 20, 2017, now Pat. No. Des. 856,630.
- (51) **LOC (12) Cl.** **01-01**
- (52) **U.S. Cl.**
USPC **D1/127**
- (58) **Field of Classification Search**
USPC D1/100-130, 199; 426/5, 76, 87, 92, 94,
426/95, 99, 101, 103, 108, 138-139, 143,
426/144, 279, 282, 283, 391, 514, 549,
426/660, 72, 582; D13/100;
D24/101-104; D28/8.1; 424/438, 440,
424/464, 470-472; 425/195; 34/296;
D6/601; D10/108
CPC .. A61K 9/2072; A61K 9/0004; A61K 9/2095;
A61K 9/209
See application file for complete search history.

References Cited

U.S. PATENT DOCUMENTS

- D190,685 S 6/1961 Roskam
- 3,793,135 A 2/1974 Monia



(56)

References Cited

U.S. PATENT DOCUMENTS

D331,280 S	11/1992	Tovey		D589,606 S *	3/2009	Schonewille	D24/101
D346,442 S	4/1994	Kramer et al.		D594,753 S	6/2009	Eadicicco et al.	
D354,806 S	1/1995	Tovey		D597,418 S	8/2009	Stojek	
D361,615 S	8/1995	Tovey		D628,090 S	11/2010	Stuiber et al.	
5,551,567 A	9/1996	Malone et al.		D631,757 S	2/2011	Kerr et al.	
D375,549 S *	11/1996	Sauer	D24/101	D655,622 S	3/2012	Sadler et al.	
D376,644 S	12/1996	Dickinson et al.		D666,286 S	8/2012	Chery	
D406,635 S *	3/1999	Russell	D23/207	D681,479 S	5/2013	Logue	
5,911,319 A	6/1999	Porcelli et al.		D688,570 S	8/2013	Logue	
D414,895 S	10/1999	Olson et al.		D744,014 S	11/2015	Gleason	
5,972,440 A	10/1999	Erland		D748,240 S	1/2016	Goode	
D419,262 S	1/2000	Klaers et al.		D760,599 S	7/2016	Jayakaran et al.	
D421,899 S	3/2000	Eneroeth et al.		D761,125 S	7/2016	Taylor	
D432,641 S	10/2000	Burrows		D761,126 S	7/2016	Taylor	
D433,750 S	11/2000	Burrows		D769,522 S *	10/2016	Venet	D28/8.1
D434,492 S	11/2000	Holland et al.		D777,120 S *	1/2017	Takahashi	D13/174
D439,654 S *	3/2001	Hite	D24/101	D801,623 S	11/2017	Wang	
D443,688 S	6/2001	Holland et al.		D844,428 S	4/2019	Stadelmaier et al.	
D449,881 S	10/2001	Mock, Sr.		D848,750 S *	5/2019	Lattorre	D6/300
D455,344 S	4/2002	Assargren et al.		D855,931 S *	8/2019	Bindra	D1/127
D506,680 S	6/2005	Saelzer		D856,630 S *	8/2019	Bindra	D1/127
D510,173 S	10/2005	Richey et al.		2006/0127540 A1	6/2006	Keckeis	
D510,174 S	10/2005	Richey et al.		2007/0289893 A1	12/2007	William, Jr.	
D511,977 S	11/2005	Saelzer		2008/0073240 A1	3/2008	Bowers et al.	
D575,148 S	8/2008	Sagel		2010/0000899 A1	1/2010	Burg et al.	
				2013/0160408 A1	6/2013	Neff	
				2015/0048001 A1	2/2015	Bailey	

* cited by examiner

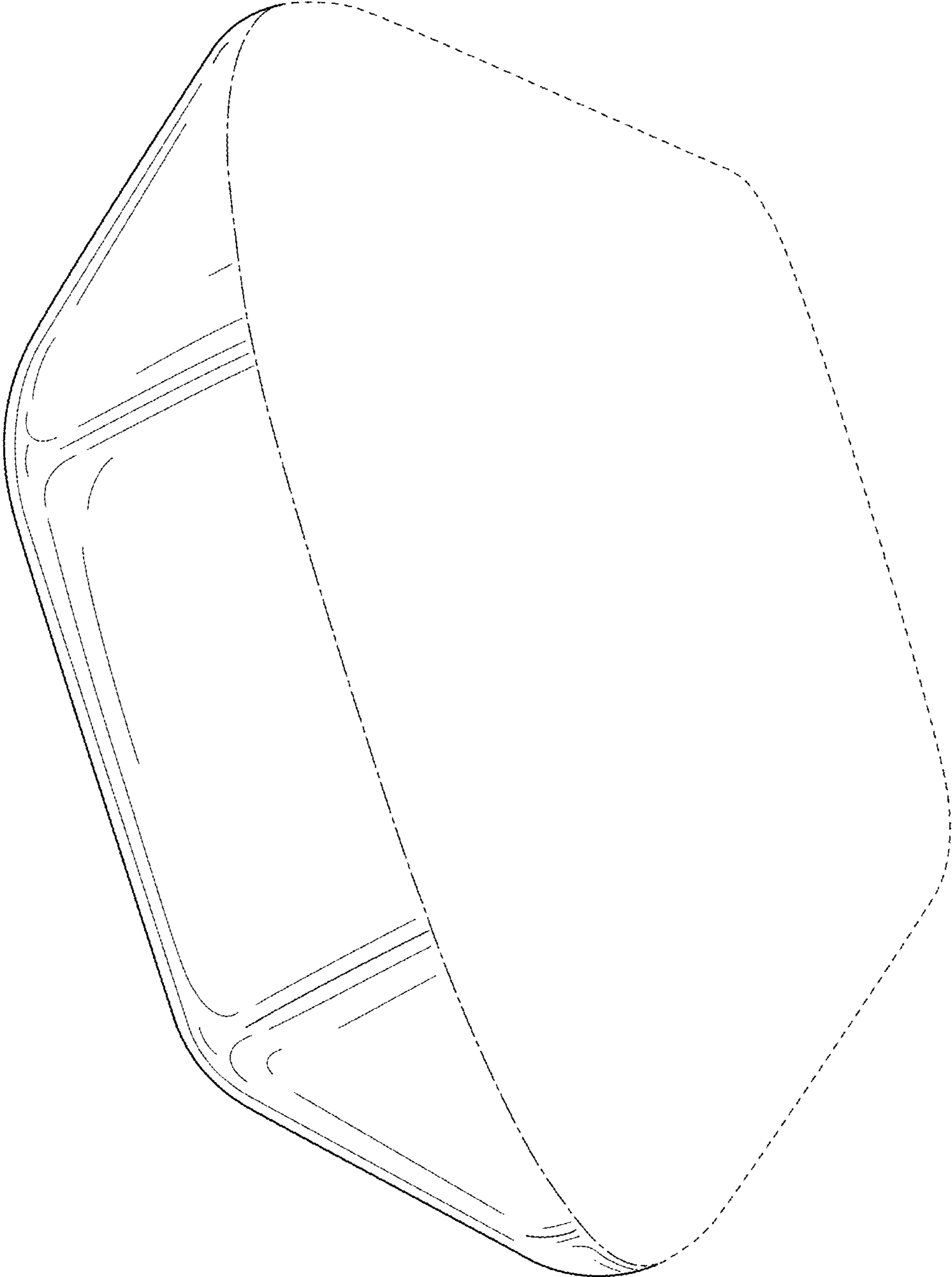


FIG. 1

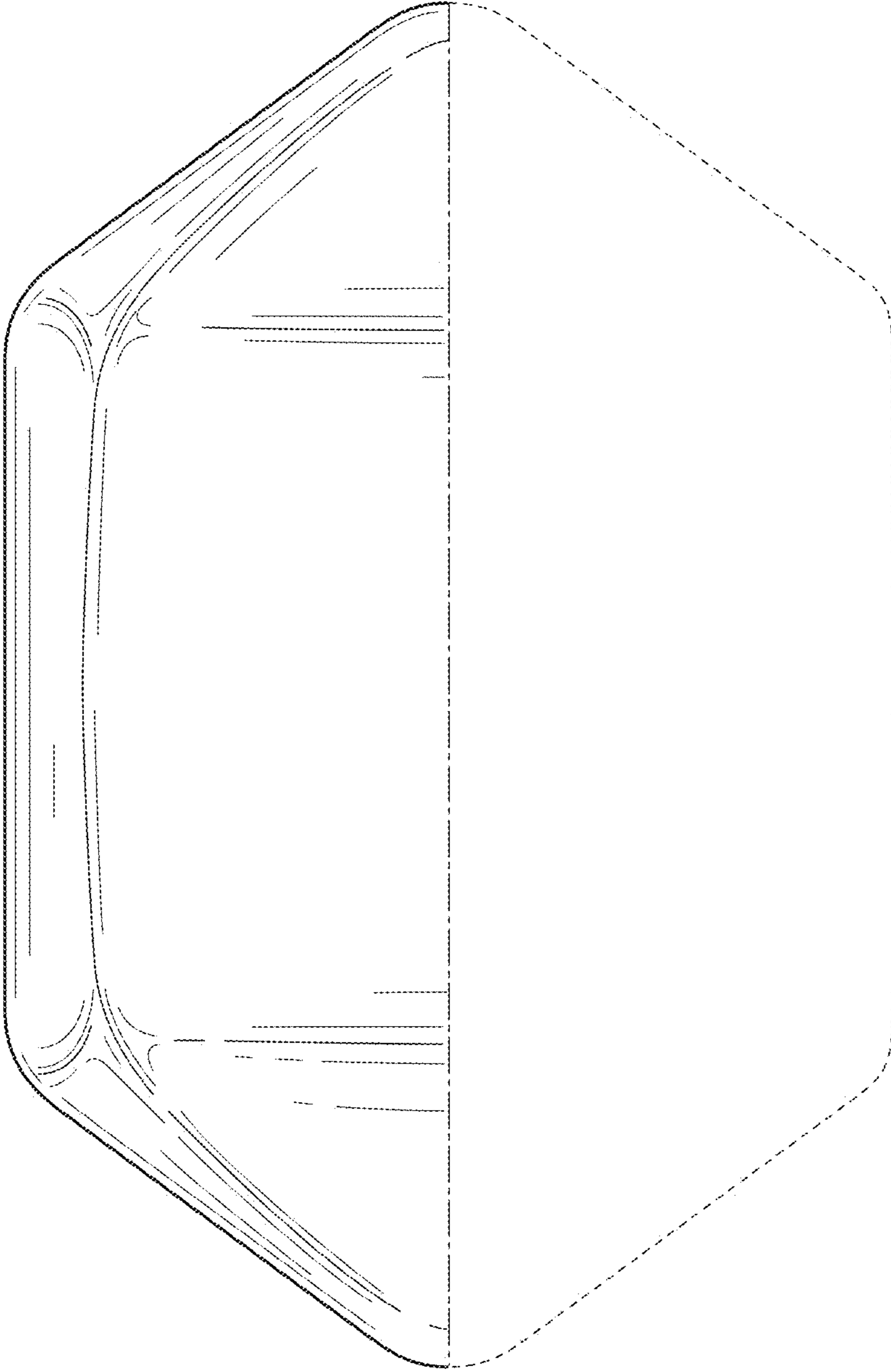


FIG. 2

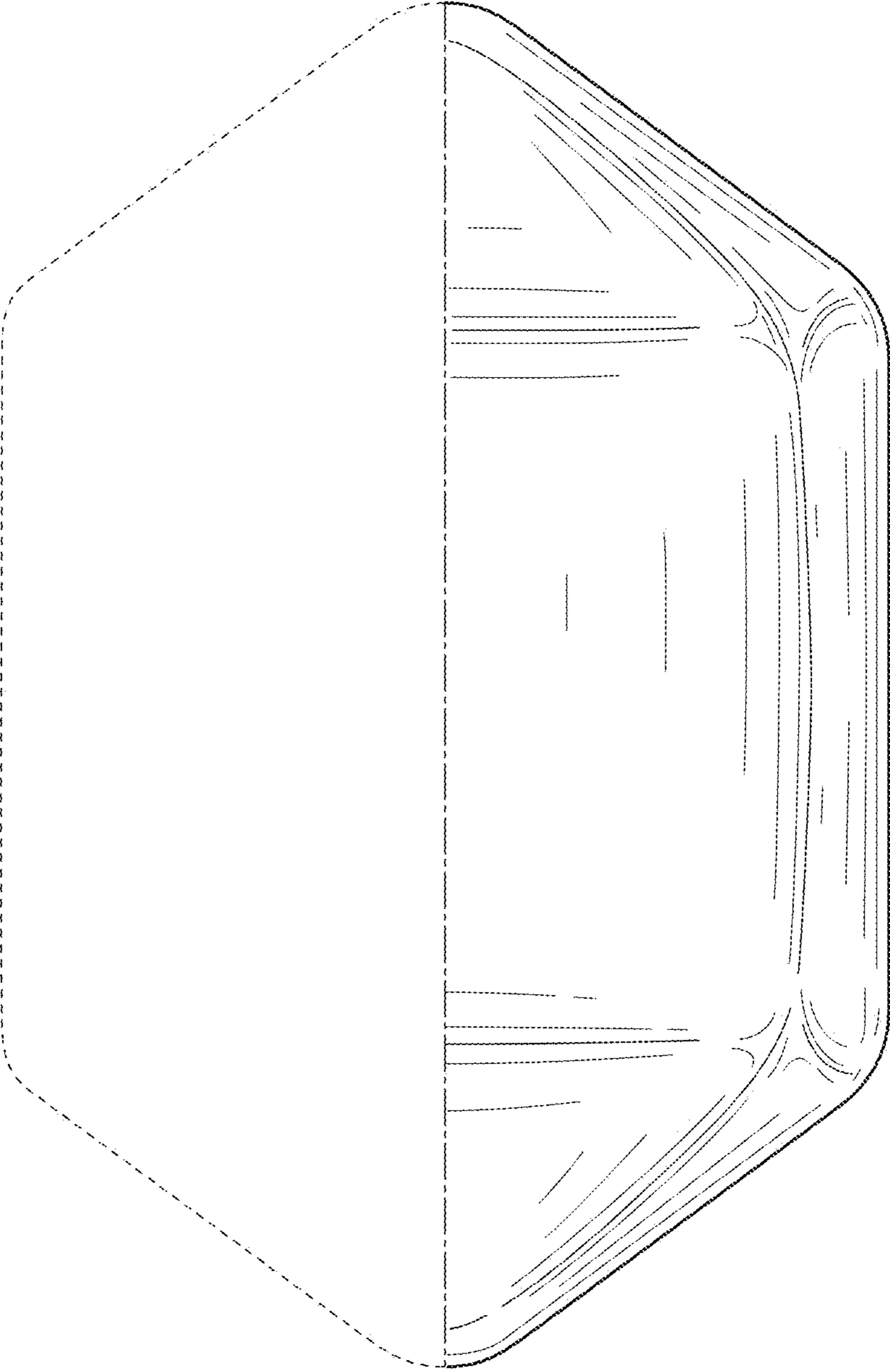


FIG. 3

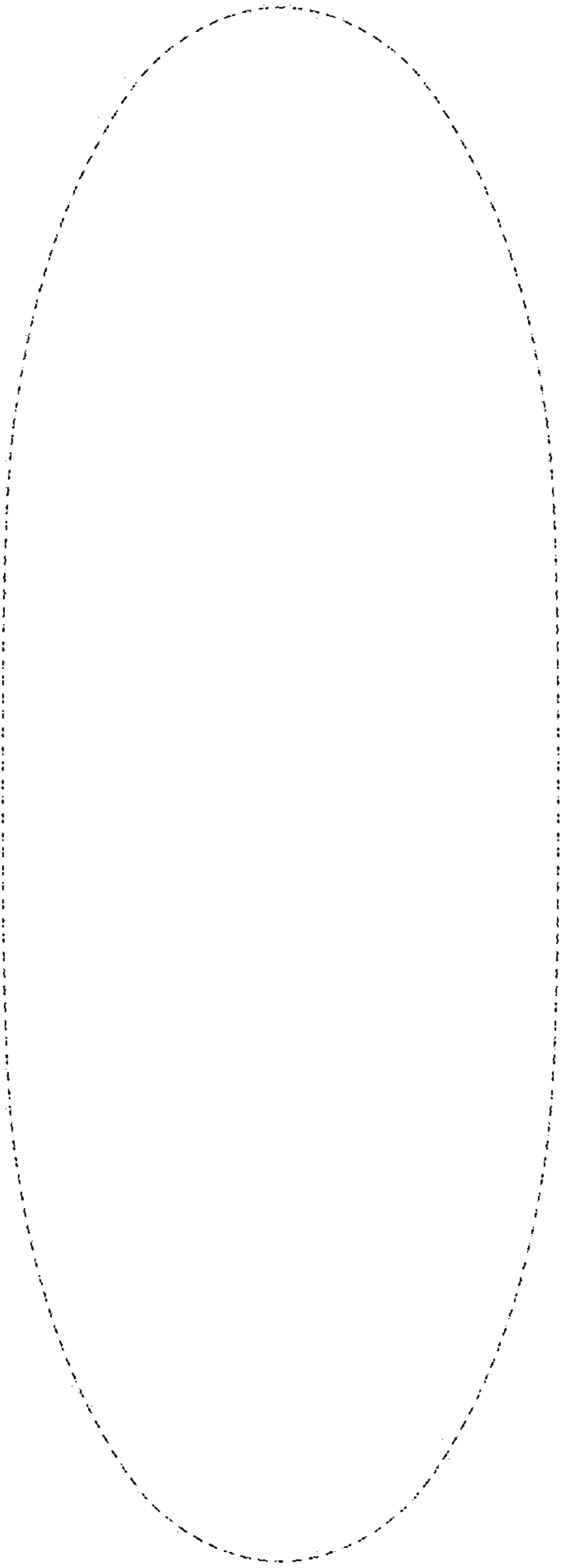


FIG. 4

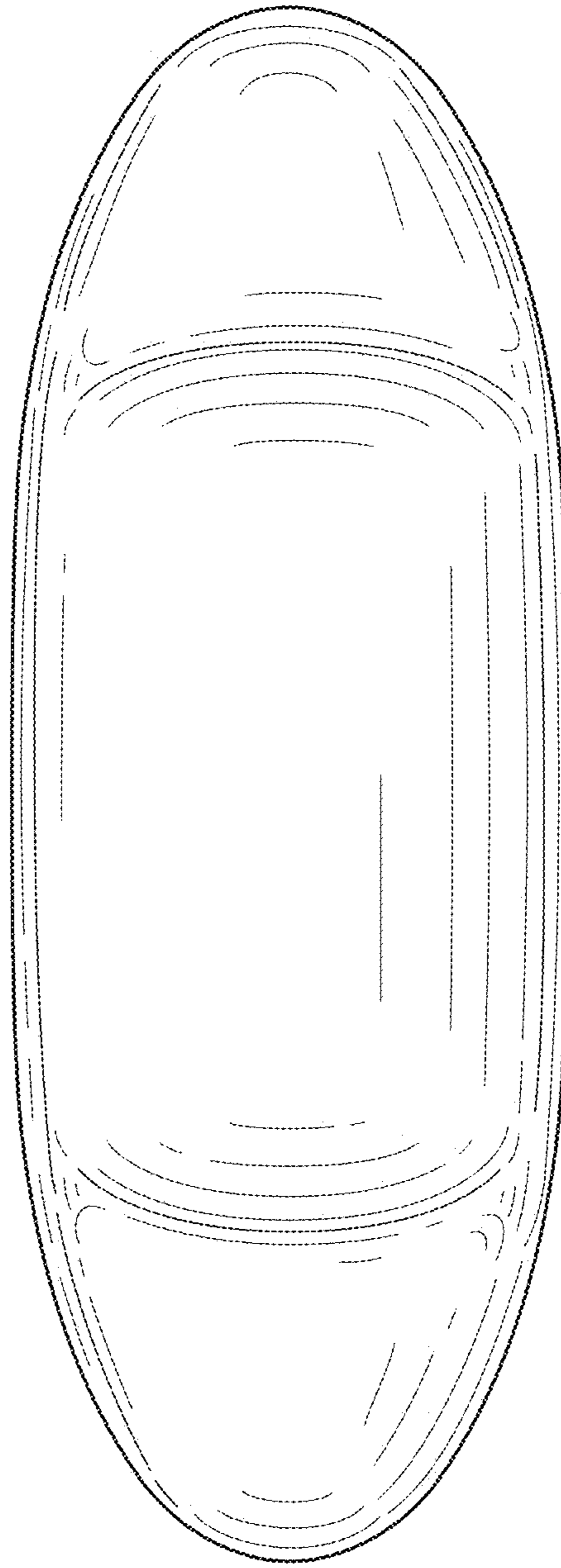


FIG. 5

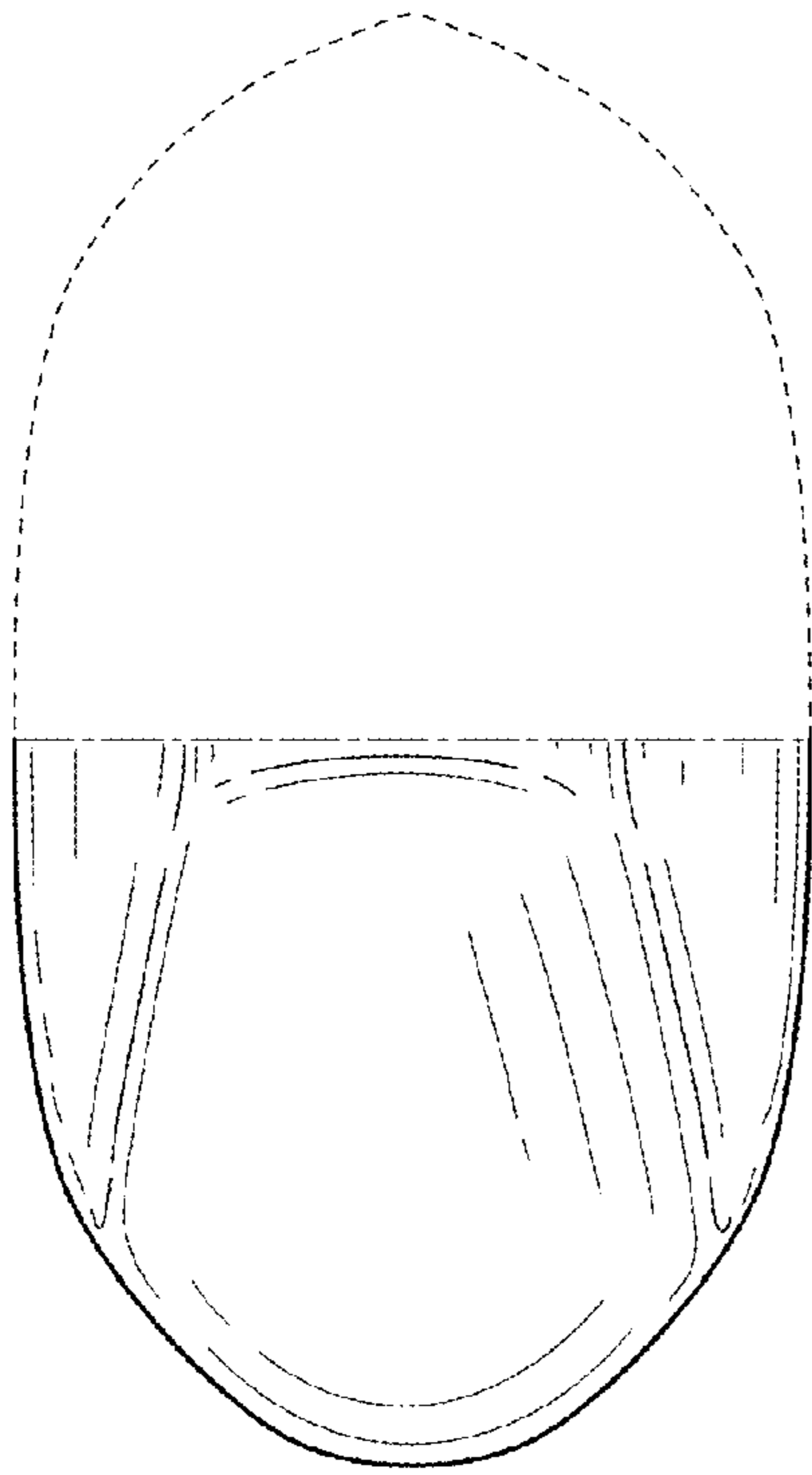


FIG. 6

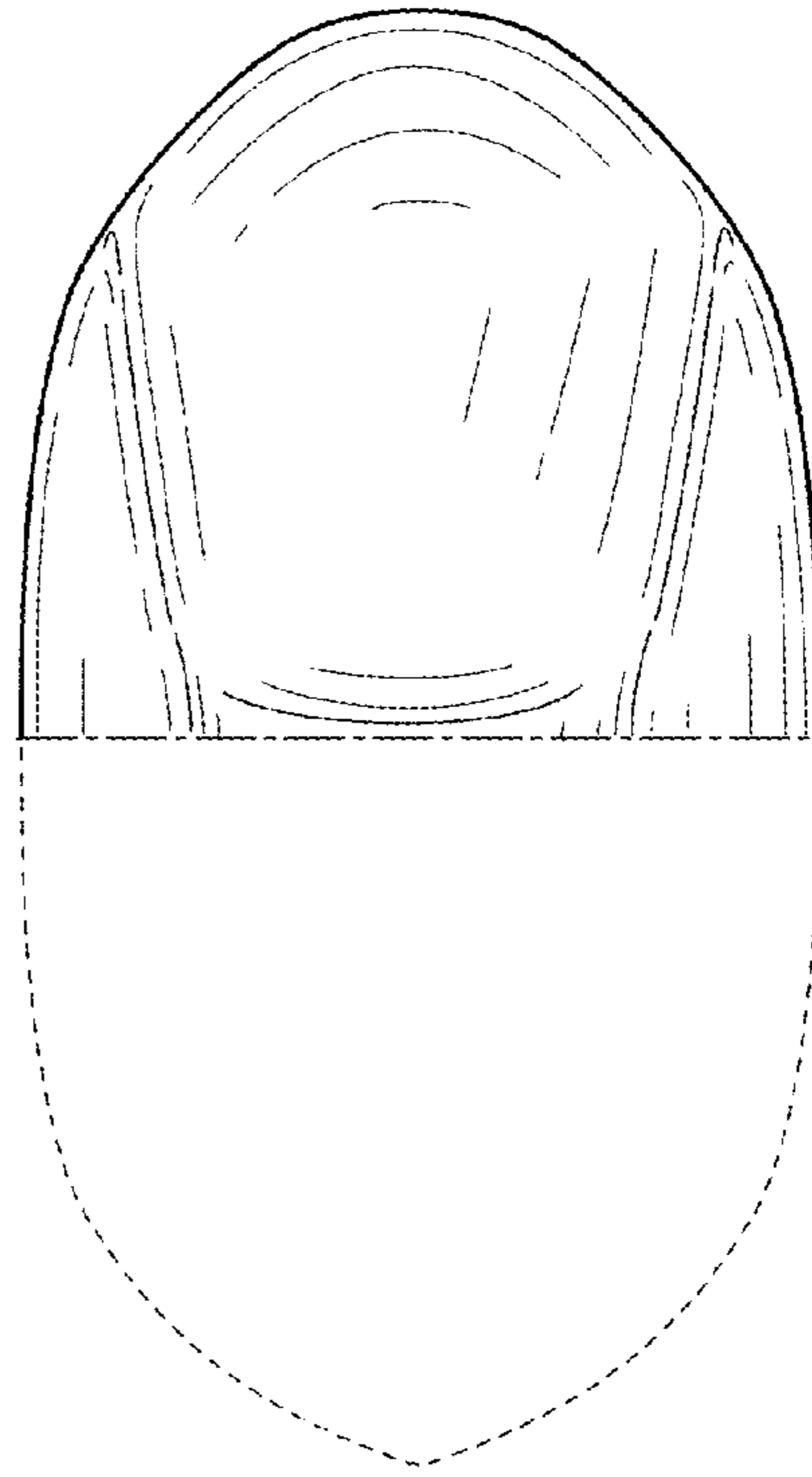


FIG. 7