



US00D885701S

(12) **United States Design Patent**
Draleau

(10) **Patent No.:** **US D885,701 S**

(45) **Date of Patent:** **** May 26, 2020**

(54) **UTILITY HAND CART**

(71) Applicant: **Polymule, Inc.**, Lehi, UT (US)

(72) Inventor: **Dennis Draleau**, Lehi, UT (US)

(73) Assignee: **Polymule, Inc.**, Lehi, UT (US)

(**) Term: **15 Years**

(21) Appl. No.: **29/671,056**

(22) Filed: **Nov. 21, 2018**

(51) **LOC (12) Cl.** **12-02**

(52) **U.S. Cl.**
USPC **D34/16**

(58) **Field of Classification Search**
USPC D34/12-27; 280/47.24, 651, 47.19,
280/47.35, 655, 47.34, 47.315, 47.17,
280/47.371, 204, 656, 40, 38, 39, 652,
280/47.29
CPC B62B 1/20; B62B 1/24; B62B 3/02; B62B
1/00; B62B 1/147; B62B 5/066
See application file for complete search history.

(56) **References Cited**

U.S. PATENT DOCUMENTS

4,253,677	A	3/1981	Wissler	
5,330,212	A	7/1994	Gardner	
D388,580	S *	12/1997	Havlovitz D34/16
D393,129	S *	3/1998	Yemini D34/16
6,217,043	B1	4/2001	Chumley	
6,283,496	B1	9/2001	Dickmann	
D487,325	S *	3/2004	Vieira D34/16

6,708,995	B2	3/2004	Norris	
D544,173	S *	6/2007	Mullen D34/16
D574,121	S *	7/2008	Song D34/16
D606,565	S *	12/2009	Hickenbottom D34/16
7,963,531	B2	6/2011	Panigot	
D672,110	S *	12/2012	Cooper D34/16

* cited by examiner

Primary Examiner — Gino Colan

(74) *Attorney, Agent, or Firm* — Intellectual Strategies

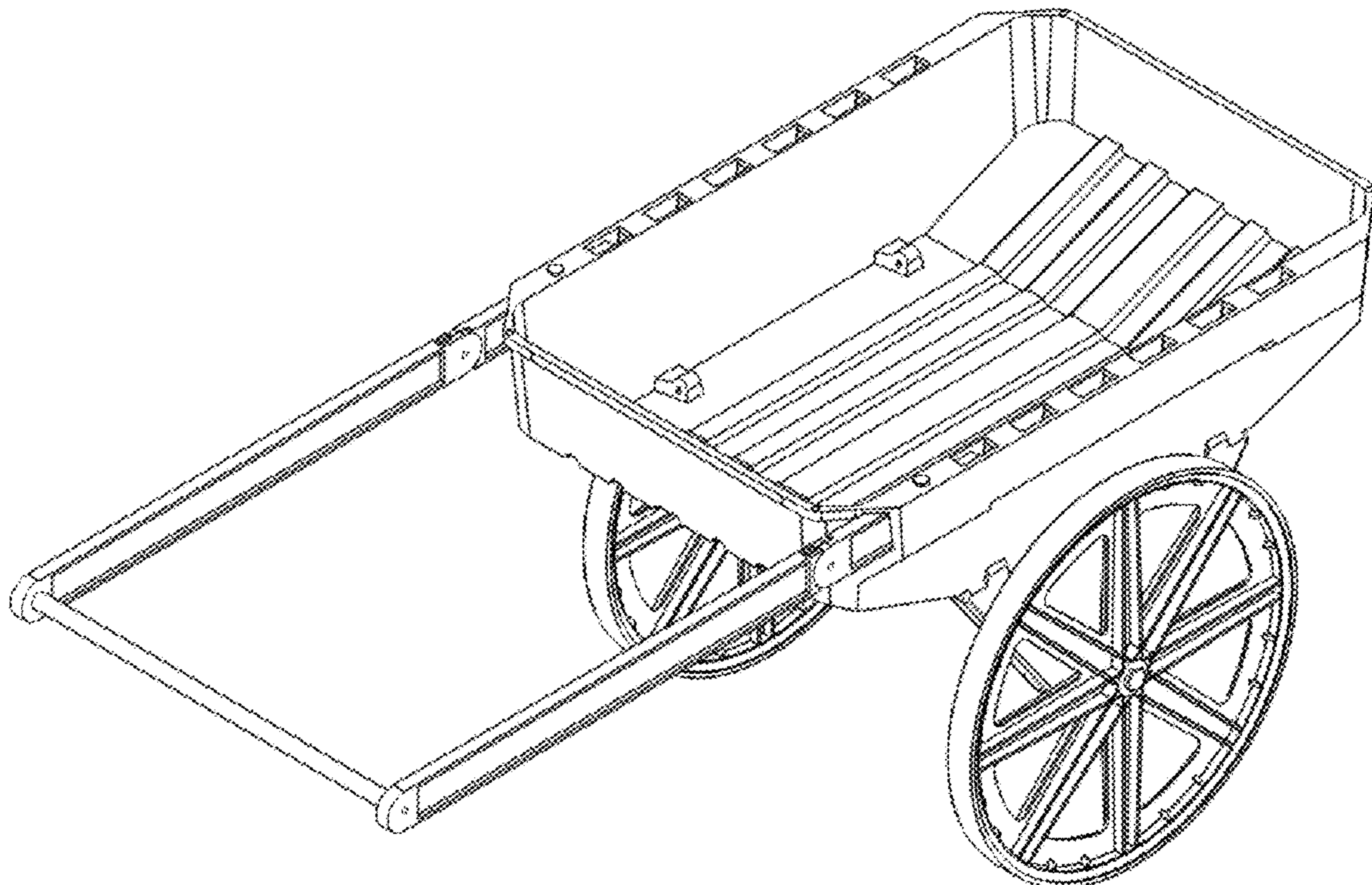
(57) **CLAIM**

The ornamental design for an utility hand cart, as shown and described.

DESCRIPTION

FIG. 1 is a top front right isometric view of a utility hand cart showing my new design;
 FIG. 2 is a bottom front left isometric view thereof;
 FIG. 3 is a top plan view thereof;
 FIG. 4 is a right side elevation view thereof, the left side elevation view being a mirror image of FIG. 4;
 FIG. 5 is a bottom plan view thereof;
 FIG. 6 is a front elevation view thereof, shown in a larger scale;
 FIG. 7 is a rear elevation view thereof, shown in a larger scale;
 FIG. 8 is a top front right isometric view thereof with the handle folded down; and,
 FIG. 9 is a right side elevation view thereof with the handle folded down, the left side elevation view being a mirror image of FIG. 9.

1 Claim, 4 Drawing Sheets



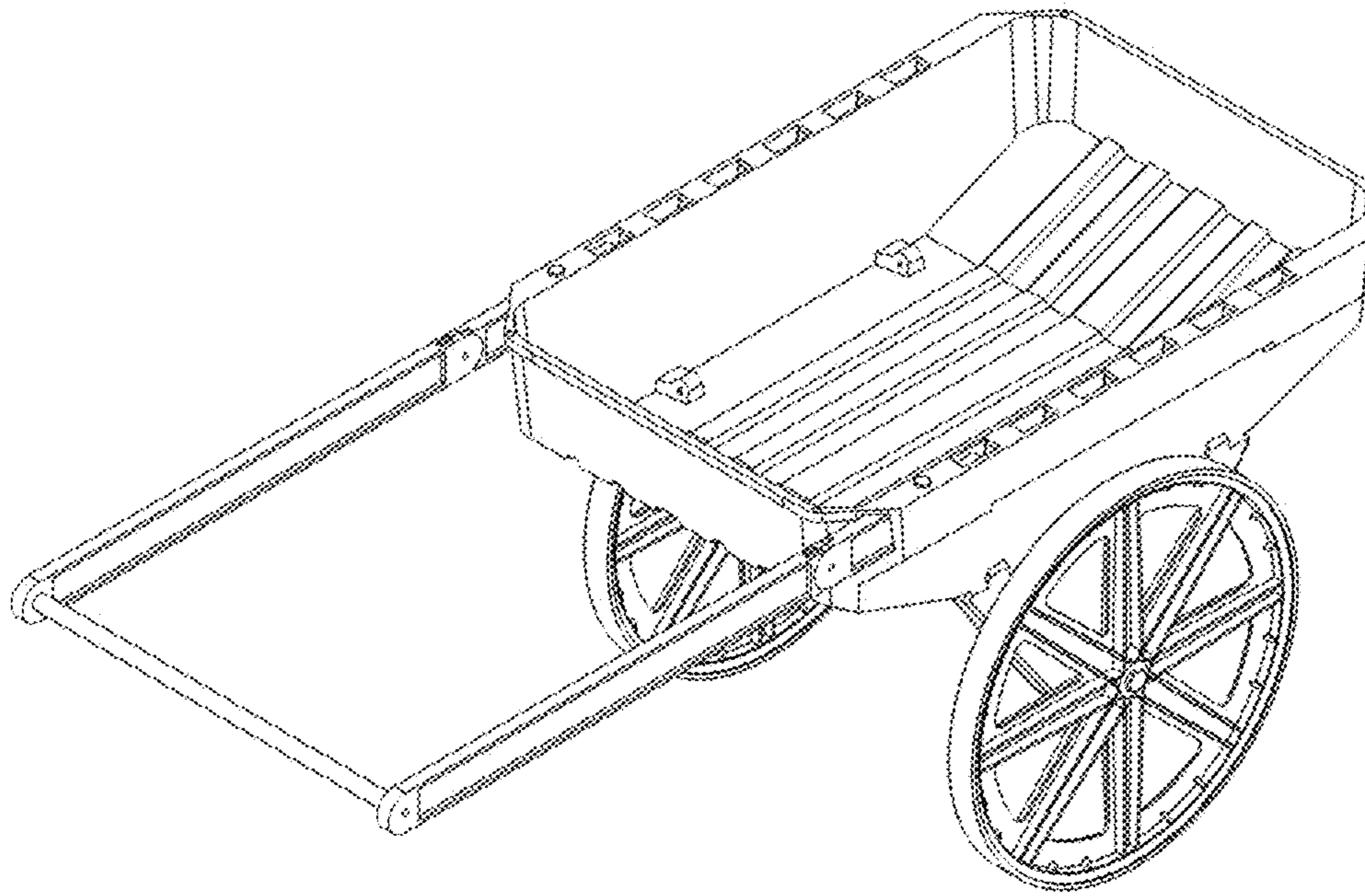


FIG.1

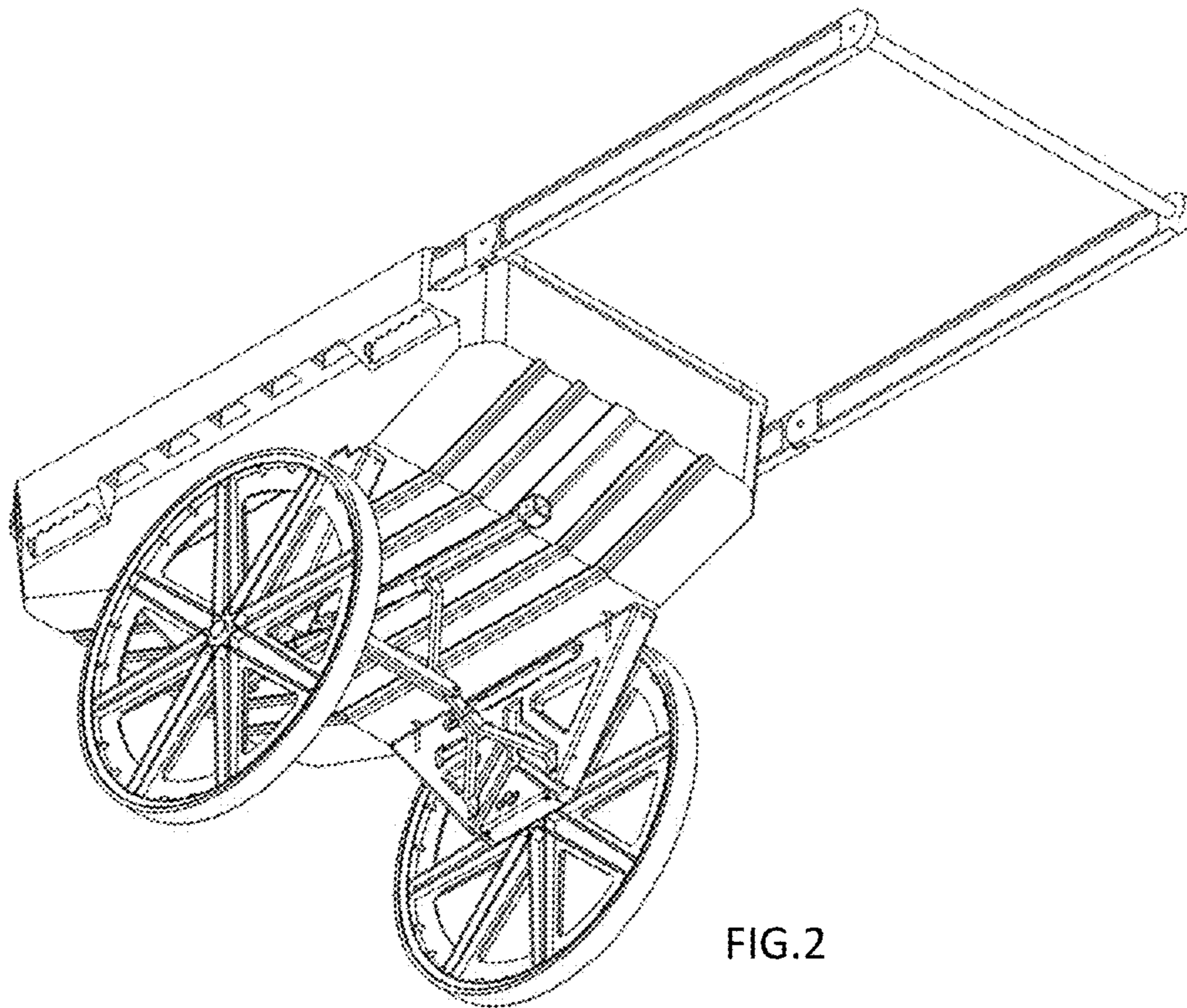


FIG.2

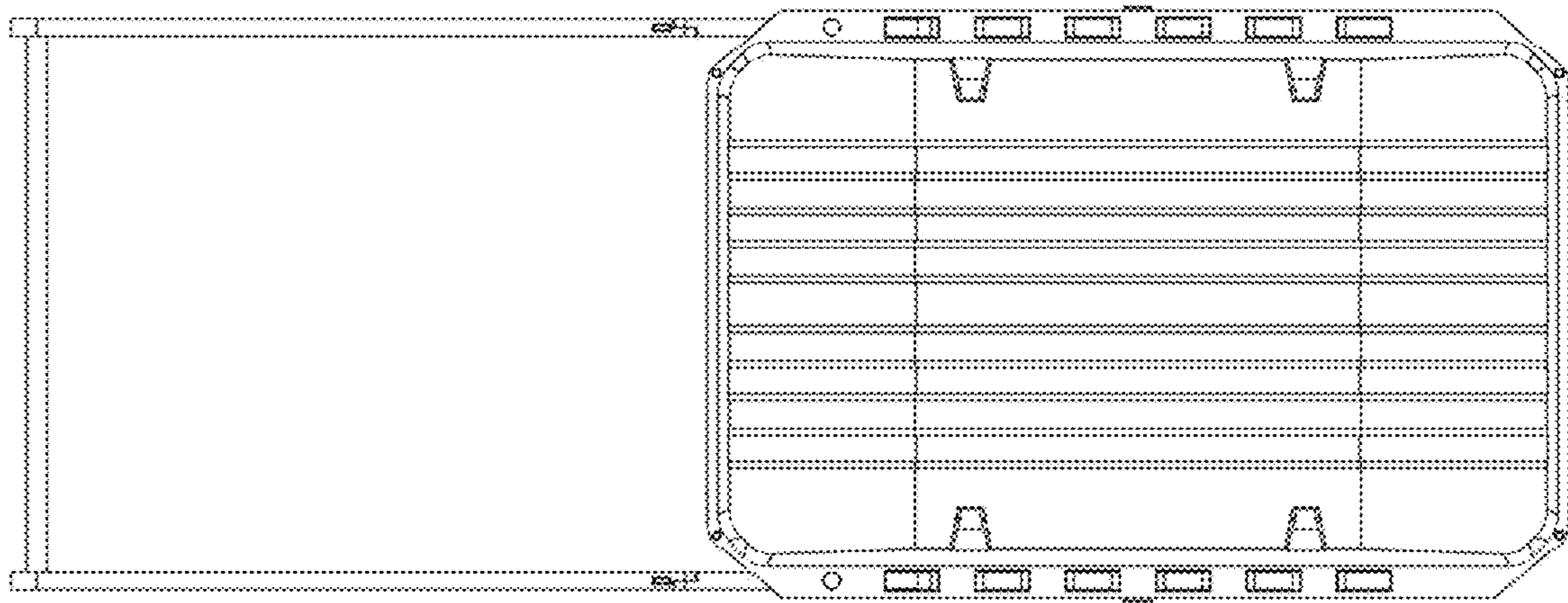


FIG.3

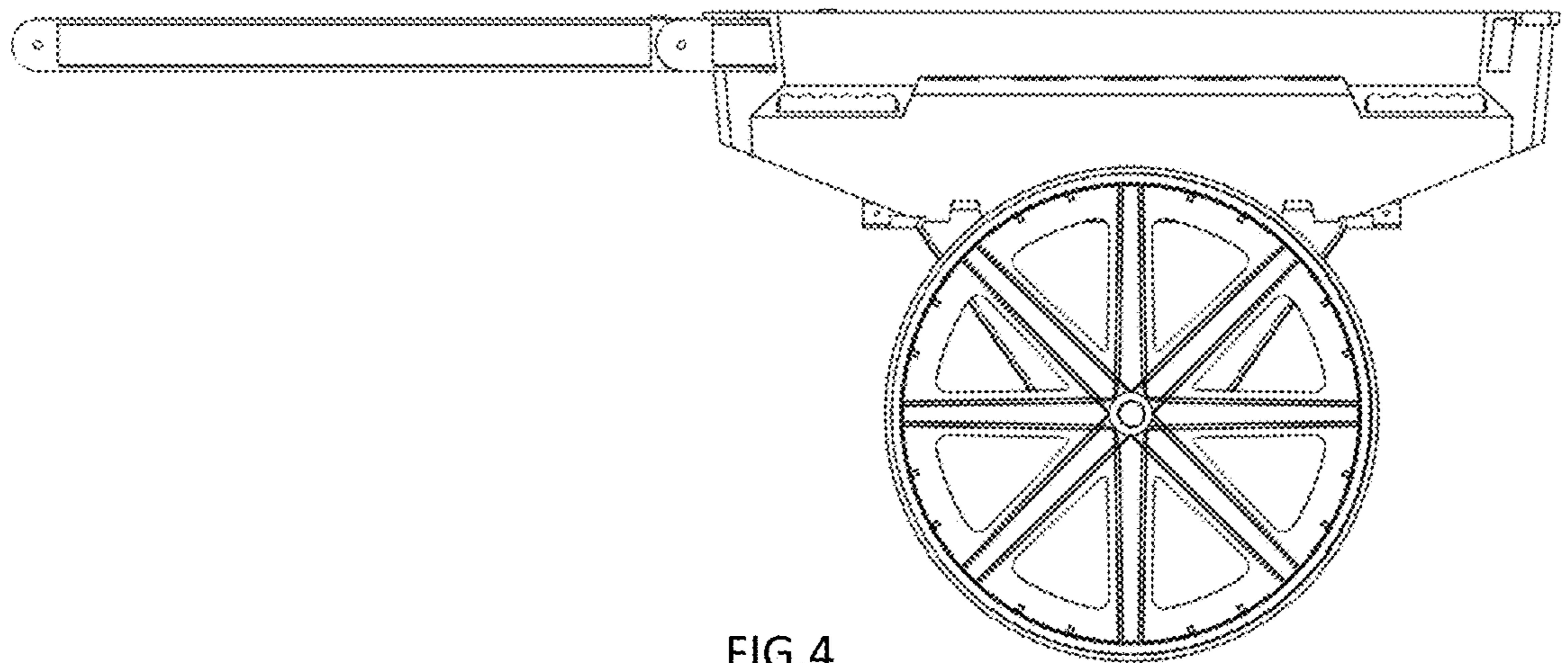


FIG.4

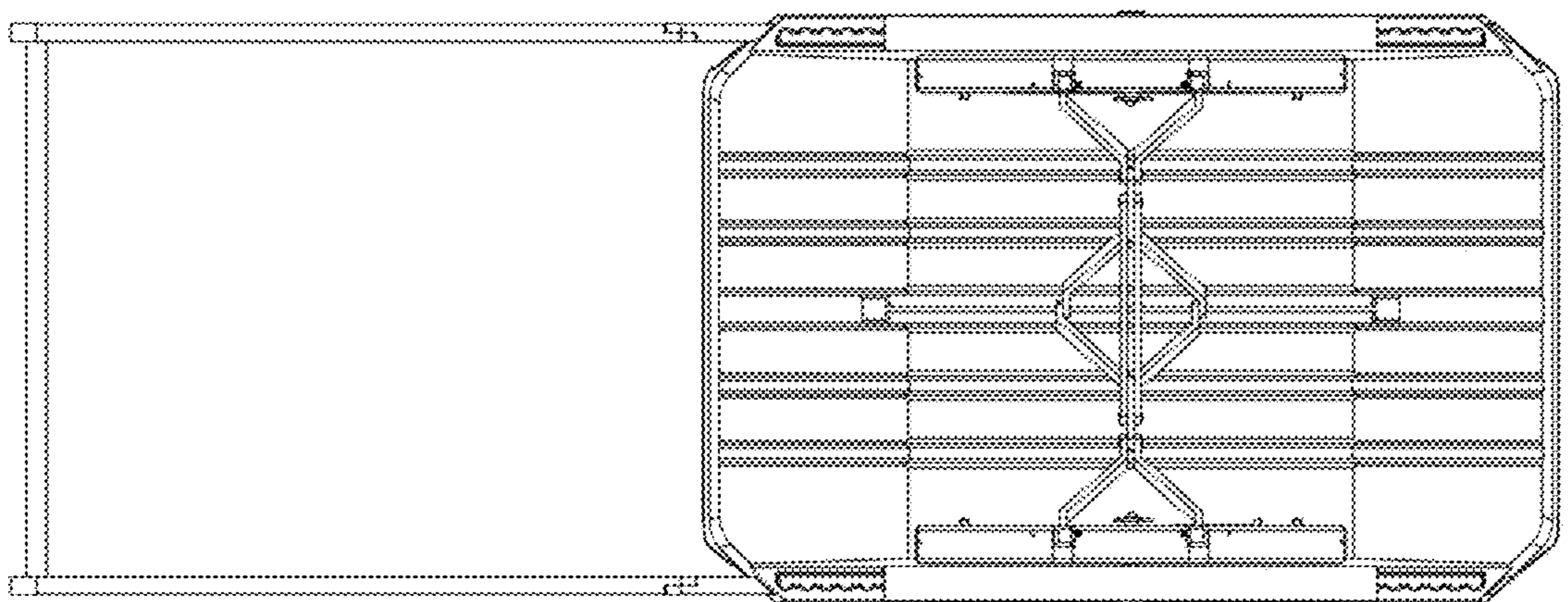


FIG.5

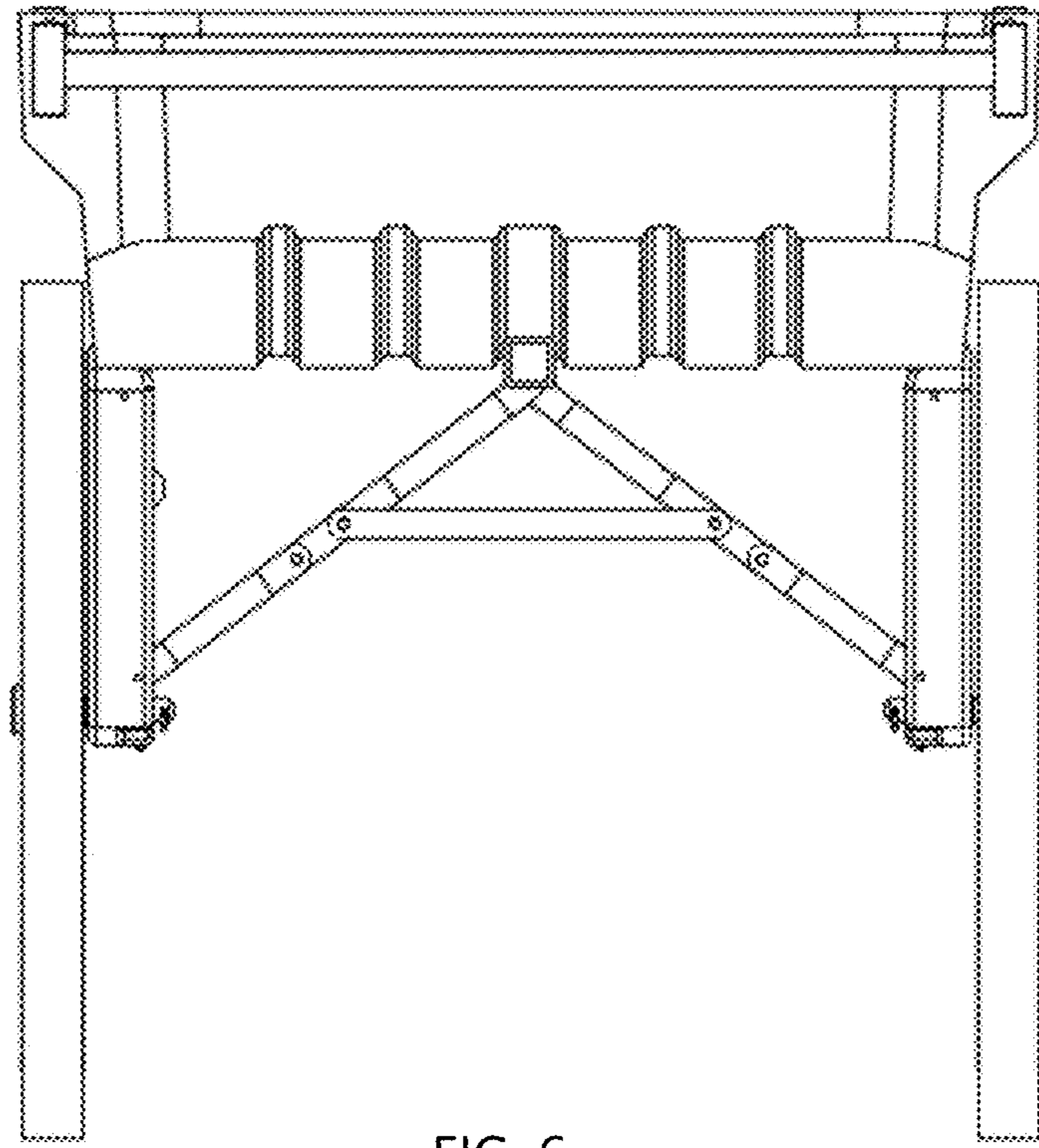


FIG. 6

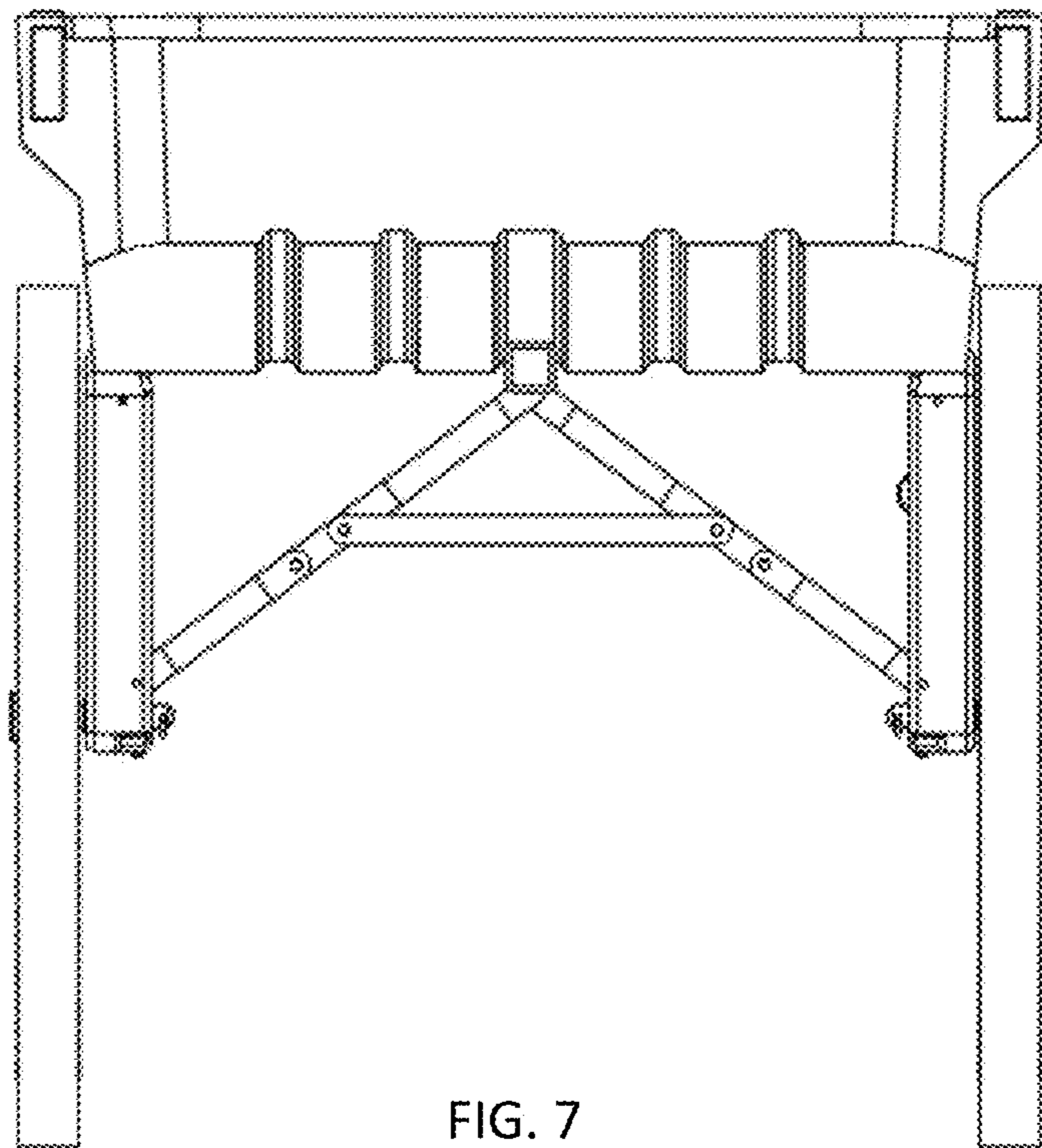


FIG. 7

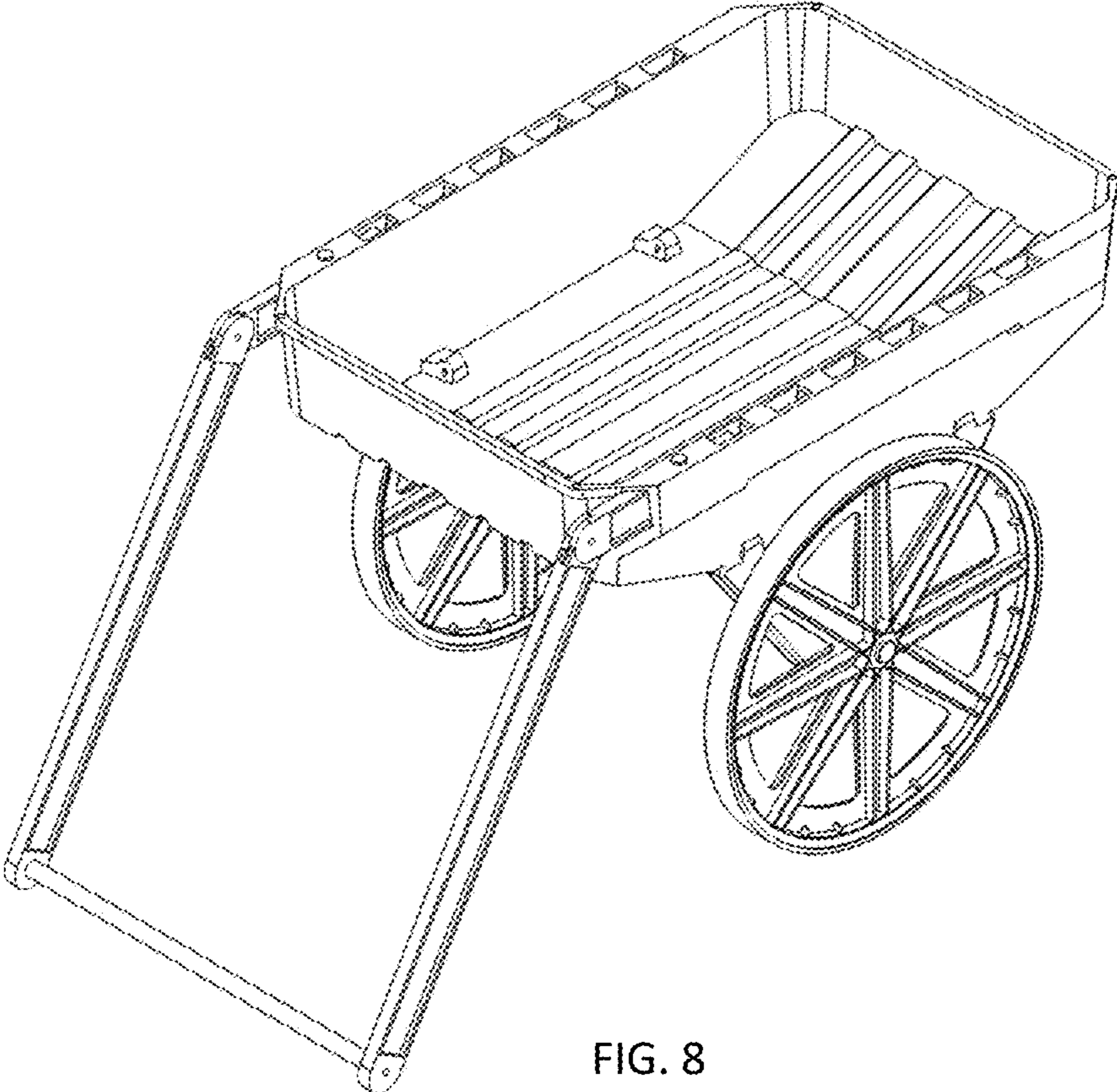


FIG. 8

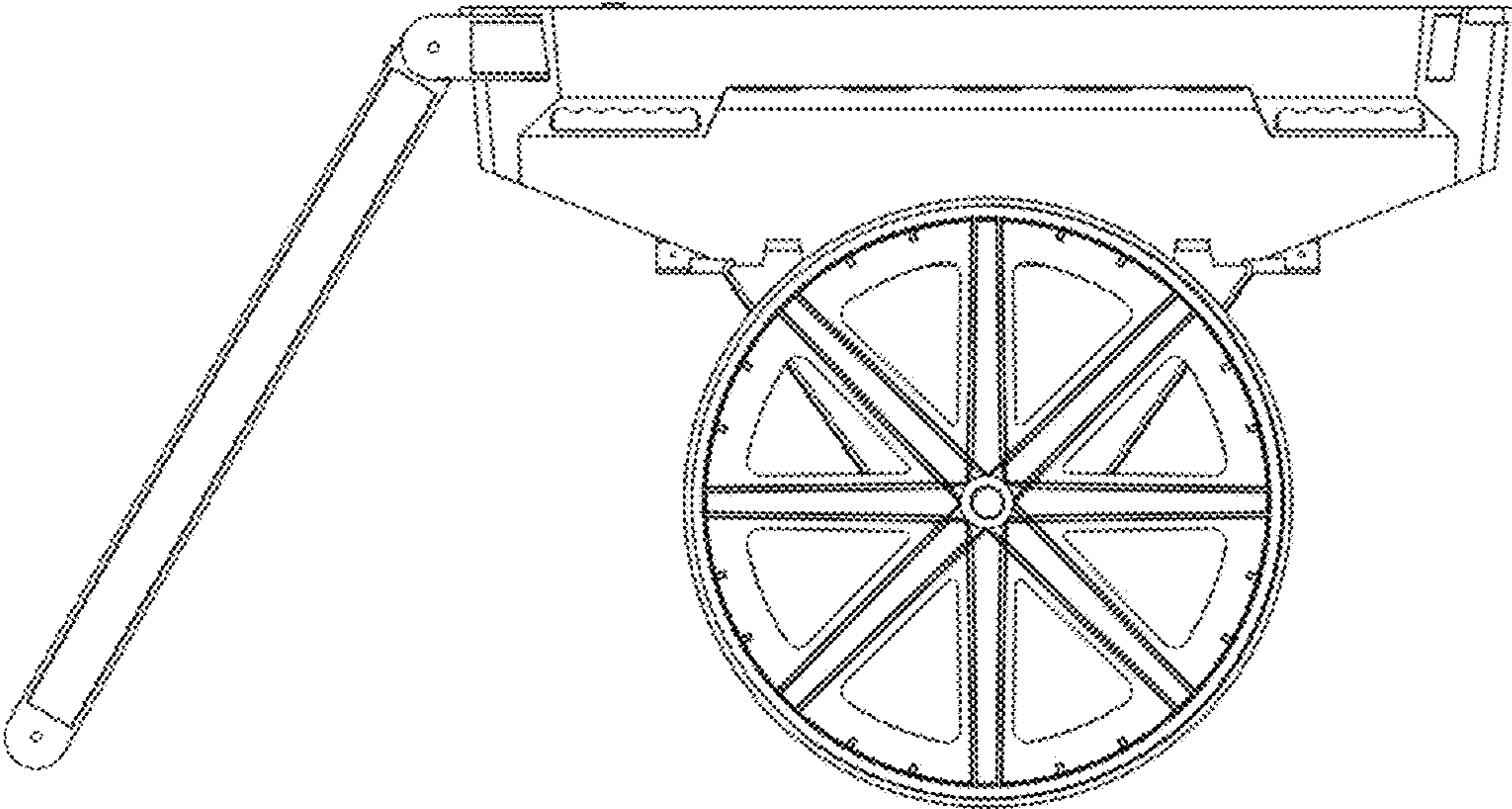


FIG. 9