



US00D885700S

(12) **United States Design Patent**
Joseph

(10) **Patent No.:** **US D885,700 S**

(45) **Date of Patent:** **** May 26, 2020**

(54) **SINK CADDY**

(71) Applicant: **JOSEPH JOSEPH, LTD.**, London (GB)

(72) Inventor: **Antony Joseph**, London (GB)

(73) Assignee: **Joseph Joseph, Ltd.**, London (GB)

(**) Term: **15 Years**

(21) Appl. No.: **29/659,225**

(22) Filed: **Aug. 7, 2018**

(30) **Foreign Application Priority Data**

Feb. 8, 2018 (EM) 004701365-0003

(51) **LOC (12) Cl.** **07-05**

(52) **U.S. Cl.**
USPC **D32/55**

(58) **Field of Classification Search**

USPC D6/524, 525, 536-537, 540, 566, 567,
D6/320, 533; 211/13.1, 74, 71.01, 86.01,
211/75, 88.01, 90.01, 90.03, 106, 119,
211/126.1, 133.5, 181.1, 134, 87.01;
248/206.2-206.3; D3/306; D32/55-56;
D7/637

CPC .. A47K 1/09; A47K 1/08; A47K 3/281; F16B
47/00

See application file for complete search history.

(56) **References Cited**

U.S. PATENT DOCUMENTS

4,219,035 A * 8/1980 Deconinck A47K 1/09
206/561
D297,693 S * 9/1988 Norstedt D6/553

D532,230 S * 11/2006 Snell D6/525
D551,002 S * 9/2007 Snell D6/525
D556,407 S * 11/2007 Snell D19/75
D762,934 S * 8/2016 Evans D32/55
D763,597 S * 8/2016 Citterio D6/525
D766,530 S * 9/2016 Kent D32/55
D814,248 S * 4/2018 Le D7/637
D827,328 S * 9/2018 Joseph D6/525
D836,942 S * 1/2019 Evans D6/525
D845,024 S * 4/2019 Joseph D6/525
D845,662 S * 4/2019 Ghiorghie D6/525

* cited by examiner

Primary Examiner — Nathan M Johnston

(74) *Attorney, Agent, or Firm* — Millen, White, Zelano & Branigan, PC

(57) **CLAIM**

The ornamental design for a sink caddy, as shown and described.

DESCRIPTION

FIG. 1 is a top perspective view of the sink caddy showing my new design.

FIG. 2 is a front view thereof.

FIG. 3 is a back view thereof.

FIG. 4 is a side view thereof.

FIG. 5 is another side view thereof.

FIG. 6 is top view thereof.

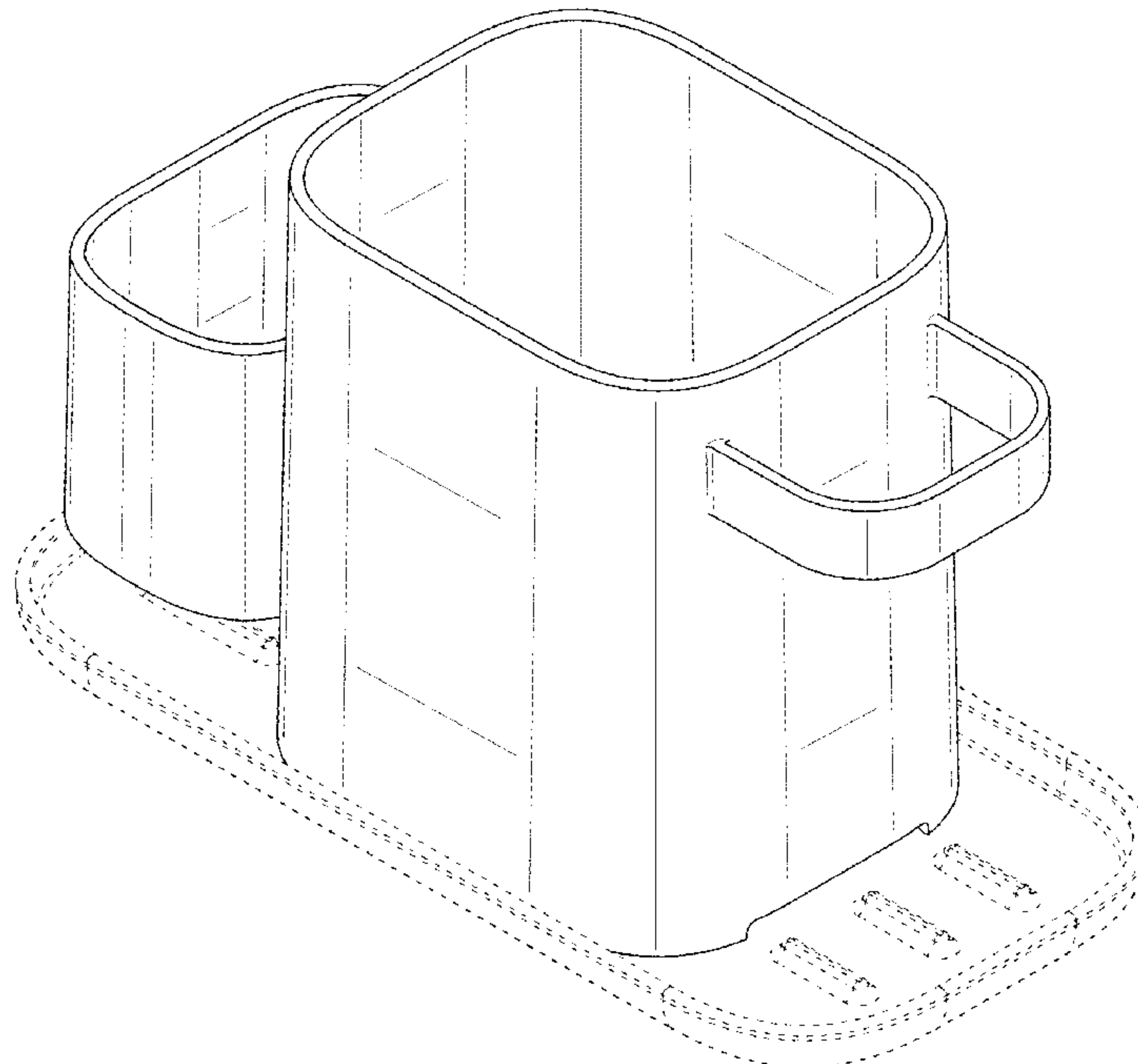
FIG. 7 is a bottom view thereof.

FIG. 8 is an exploded top perspective view thereof; and,

FIG. 9 is an exploded bottom perspective view thereof.

The broken lines in the drawings illustrate portions of the sink caddy which form no part of the claimed design.

1 Claim, 9 Drawing Sheets



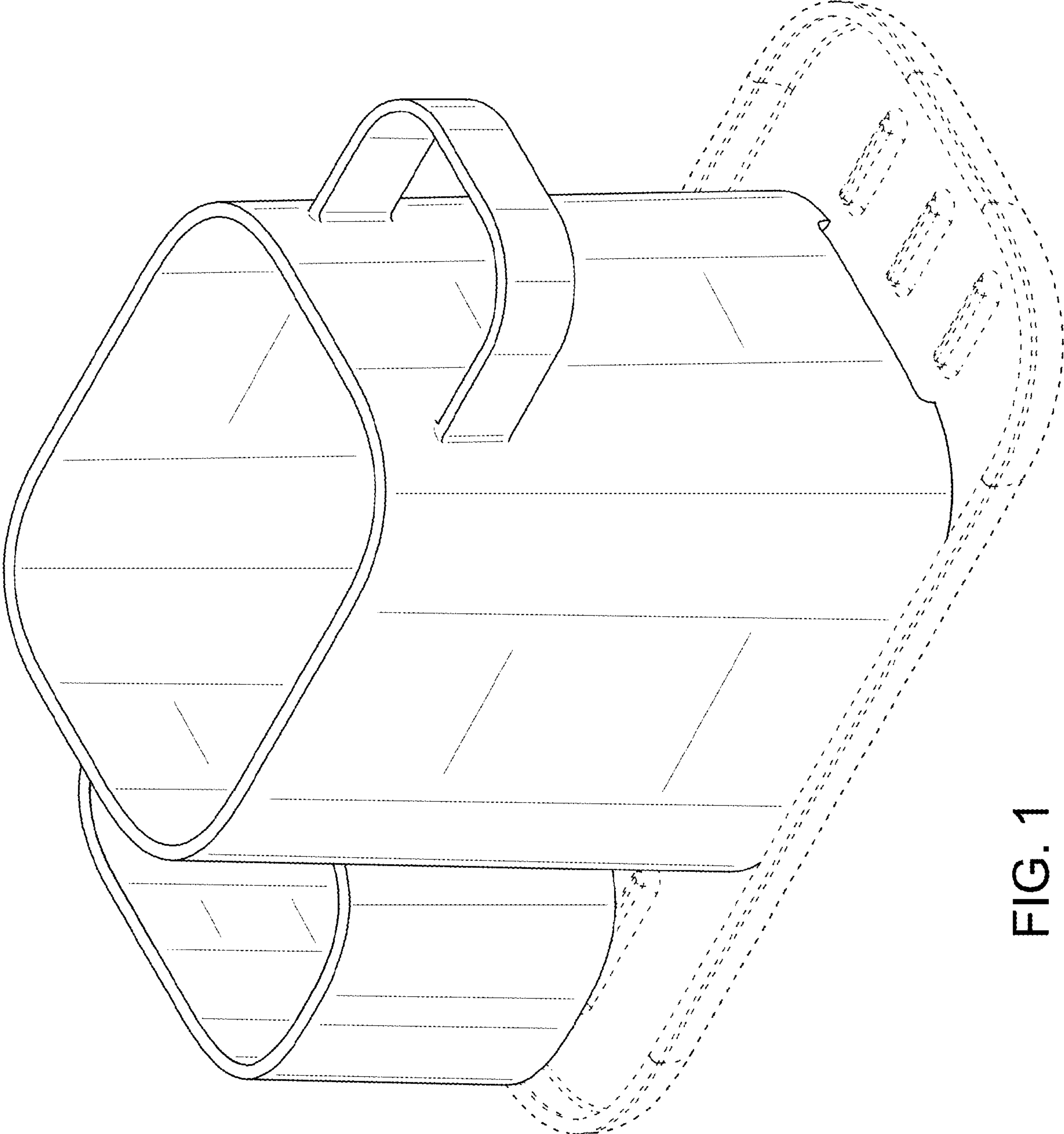


FIG. 1

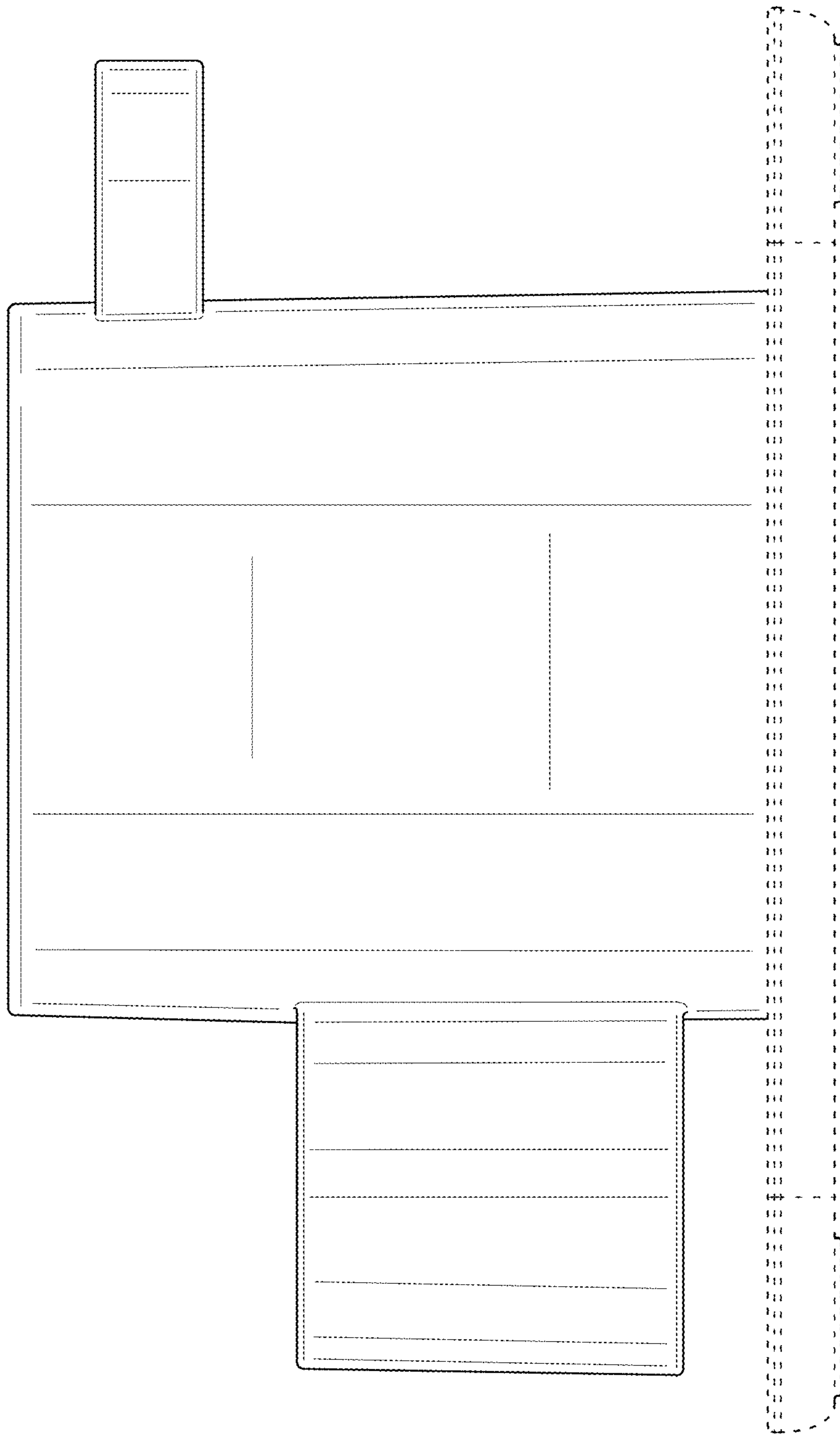


FIG. 2

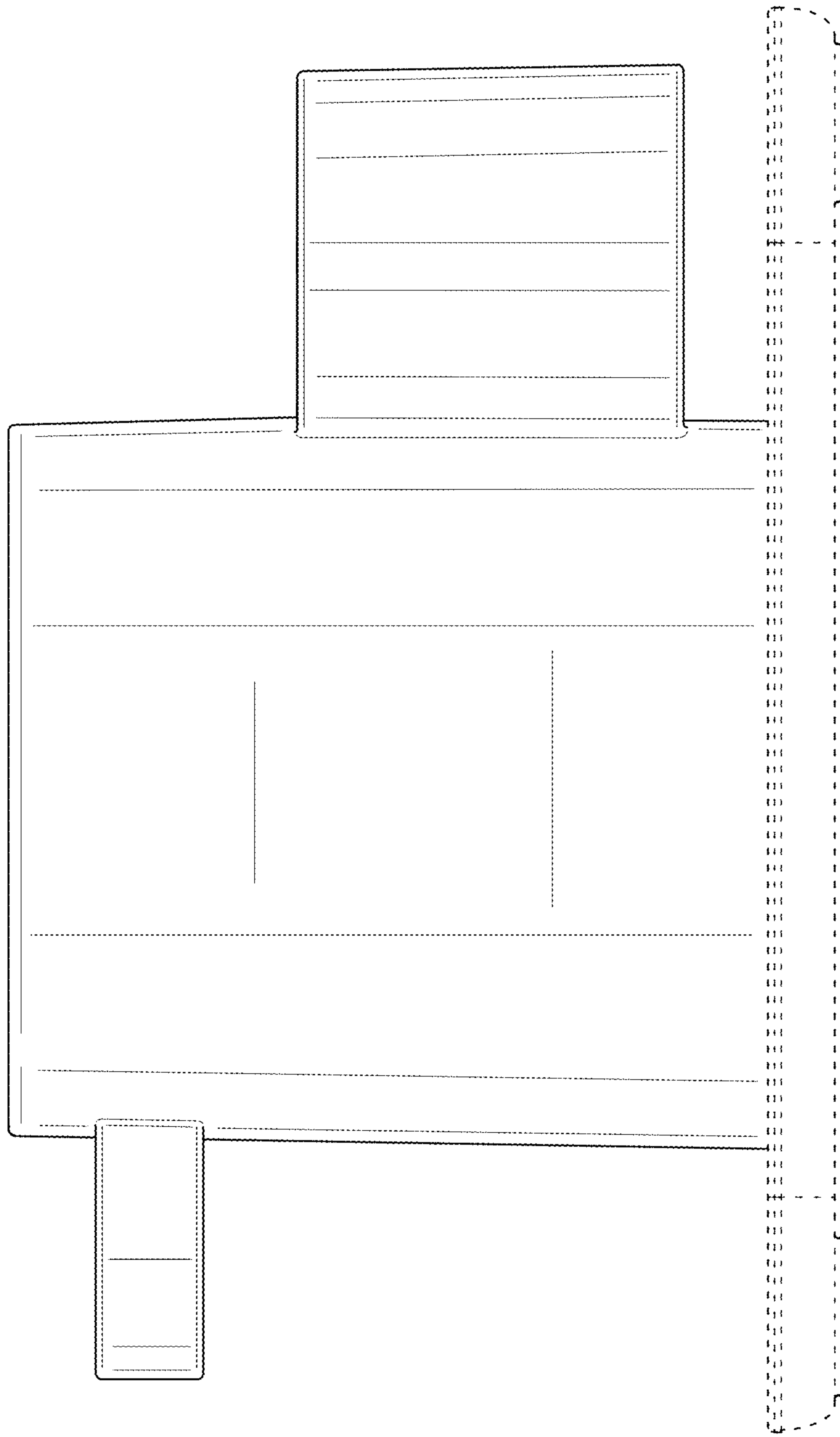


FIG. 3

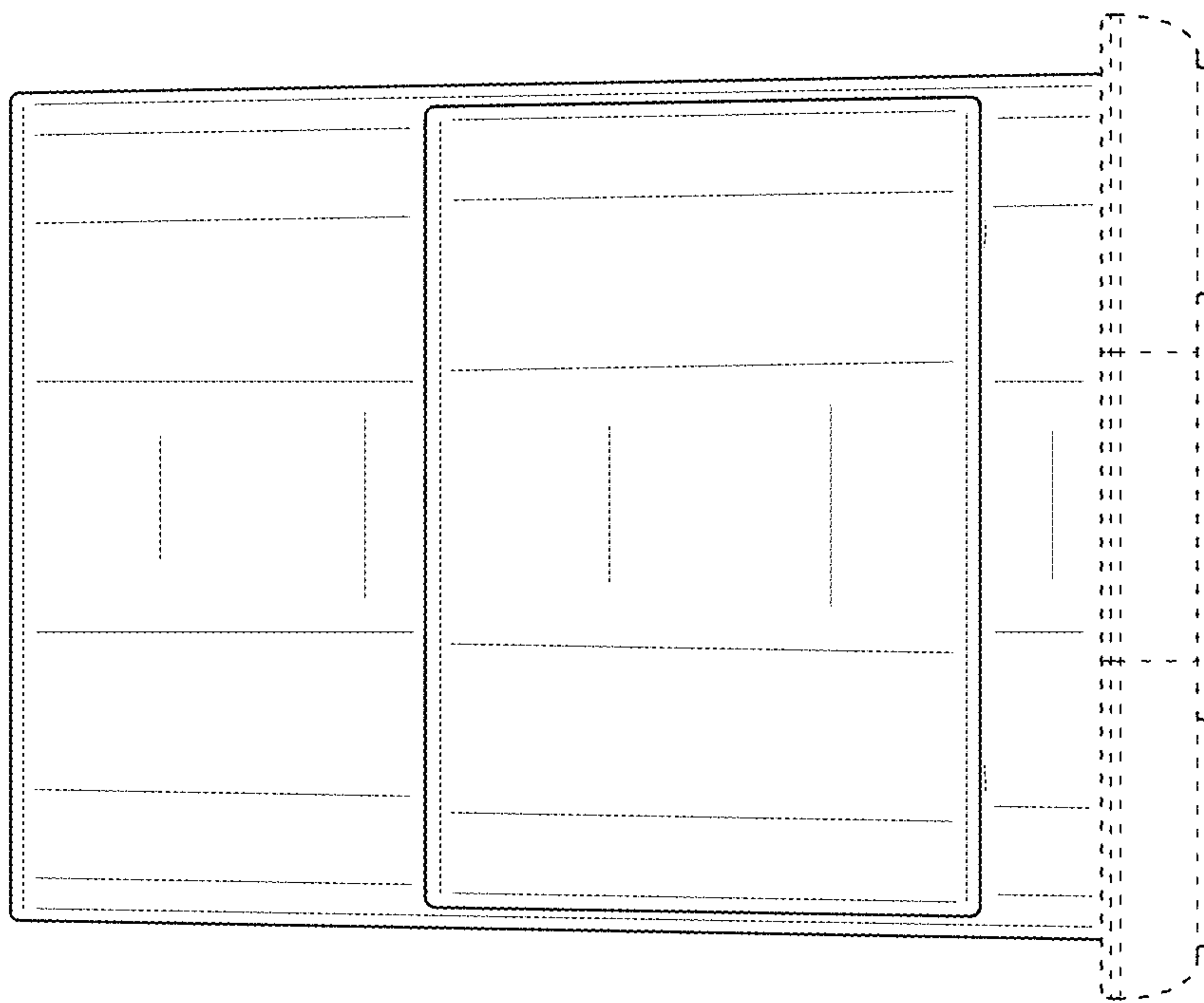


FIG. 4

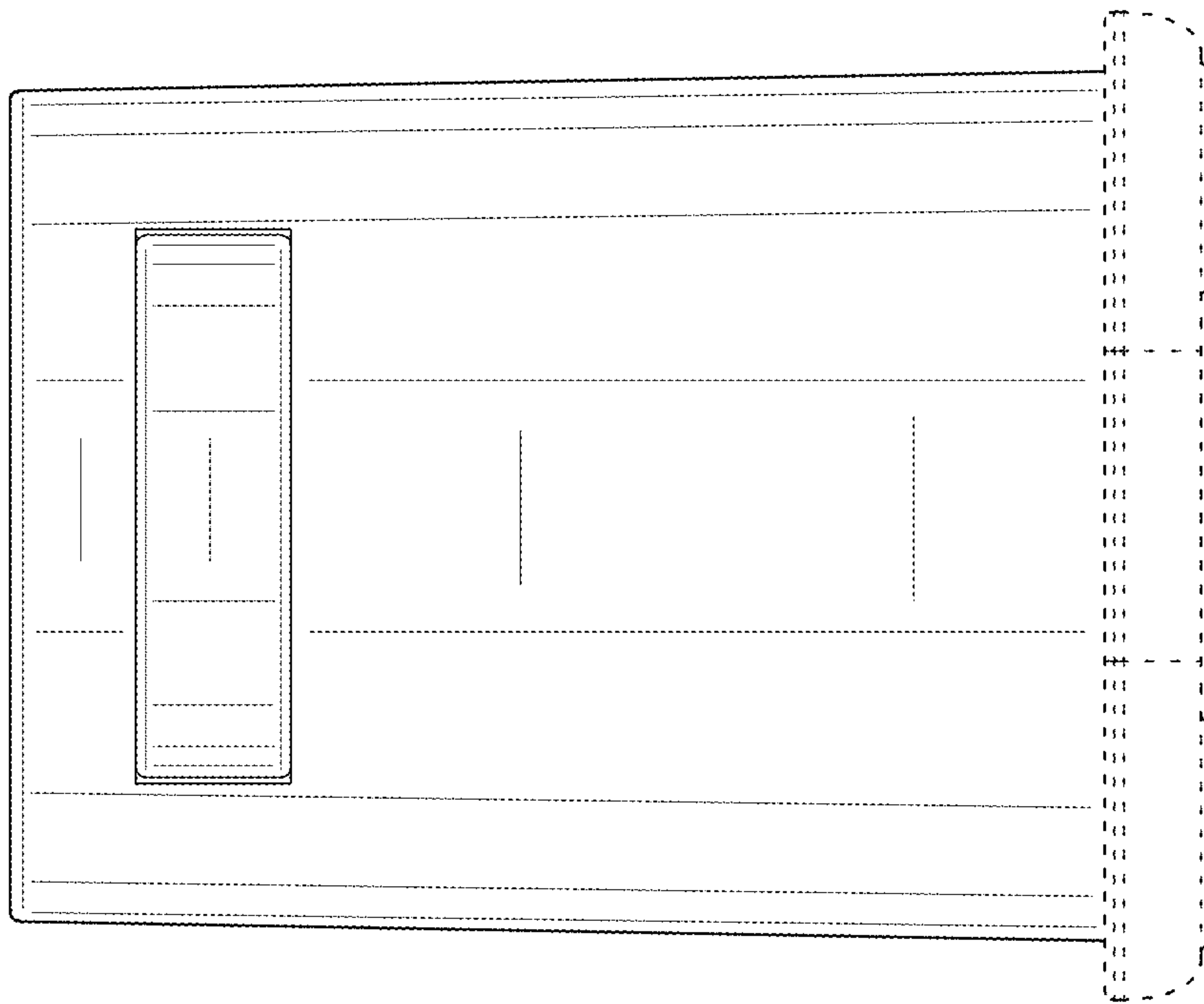


FIG. 5

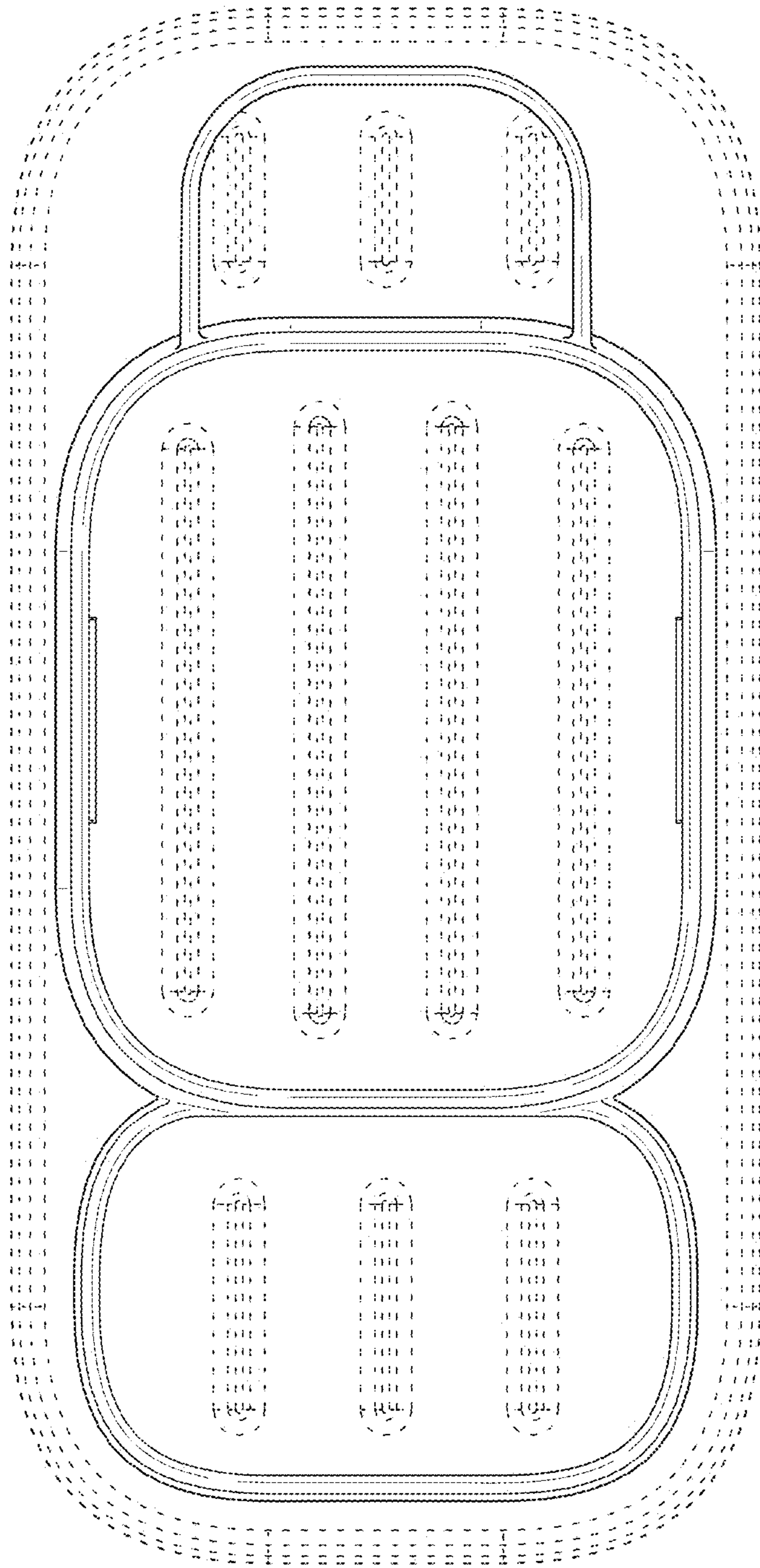


FIG. 6

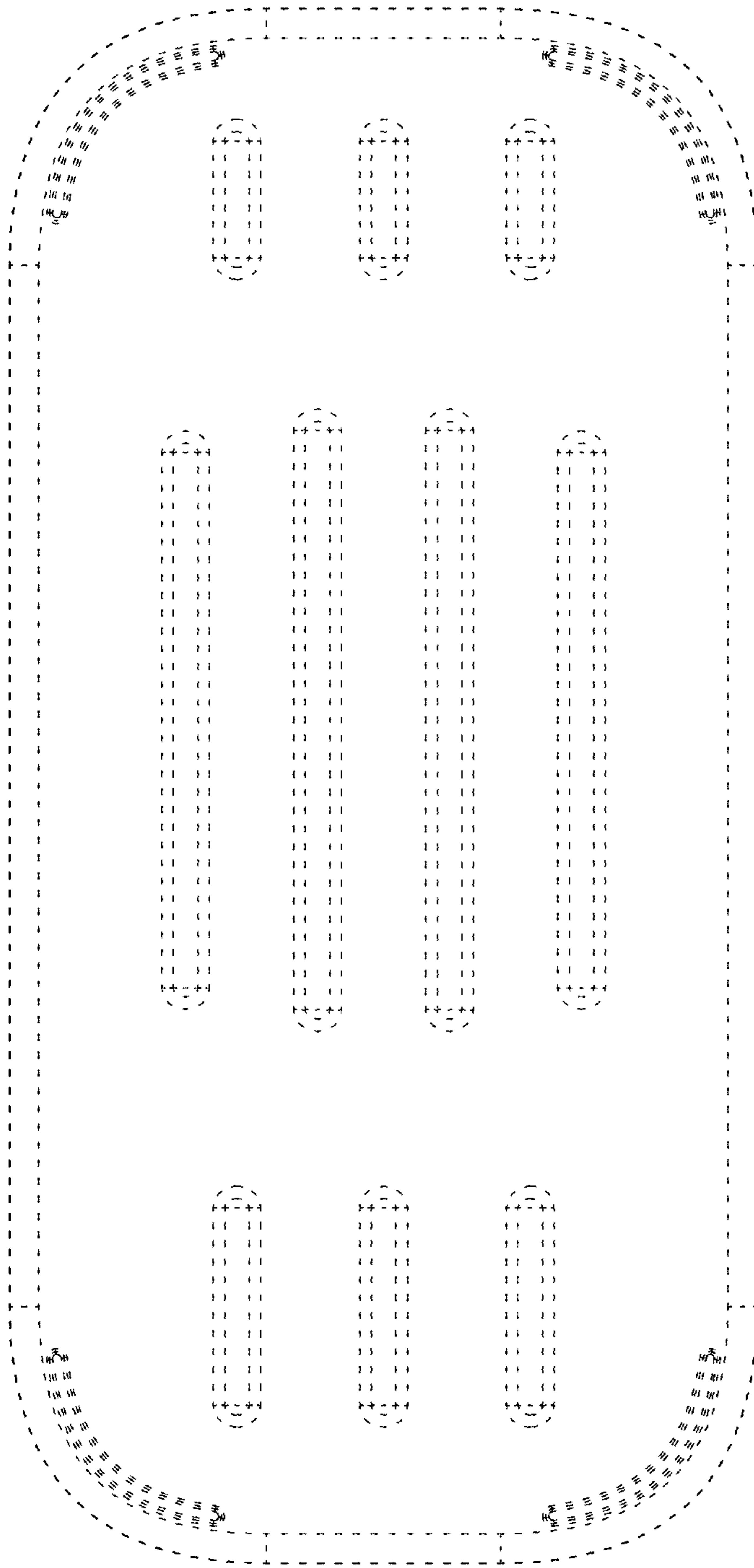


FIG. 7

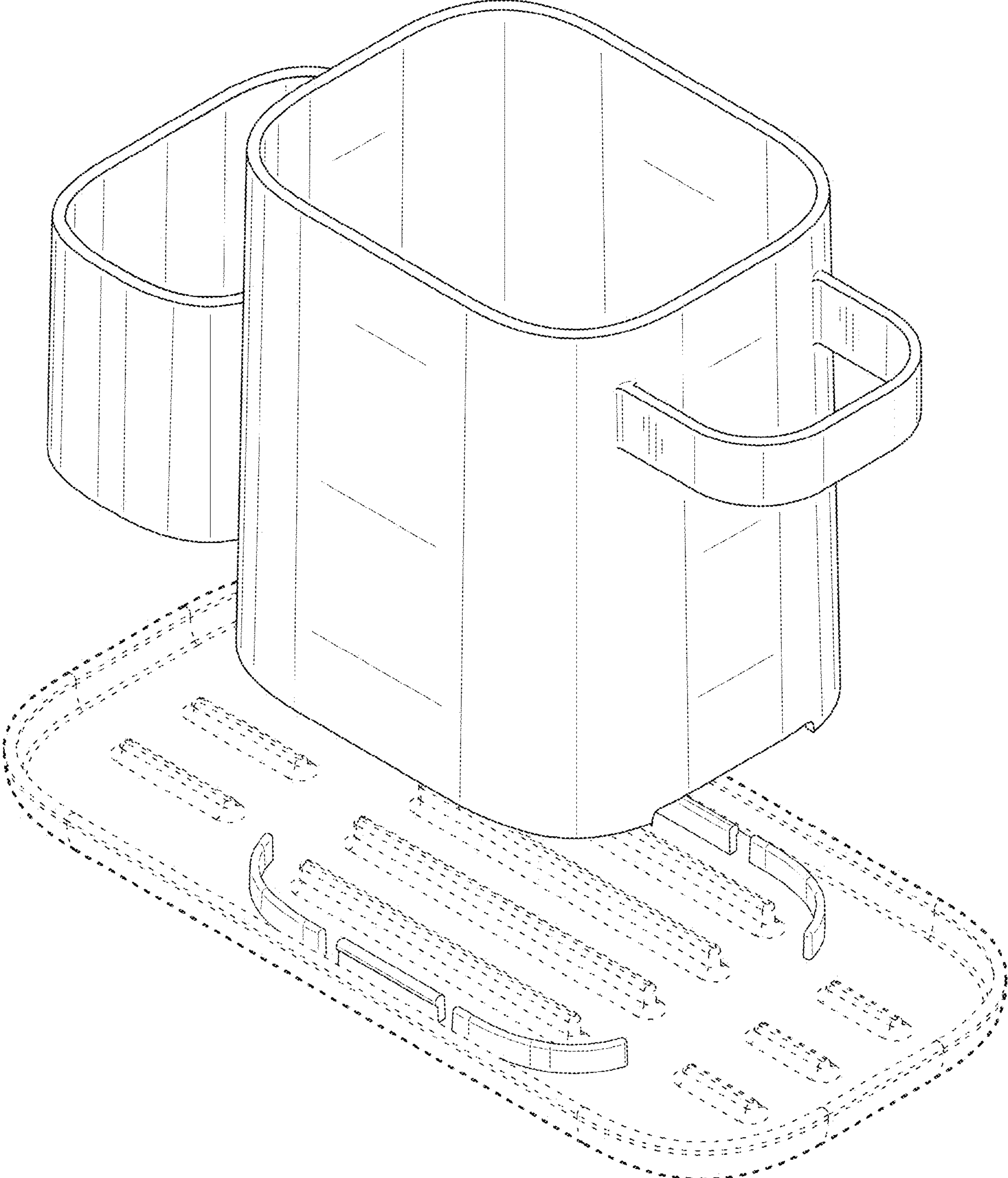


FIG. 8

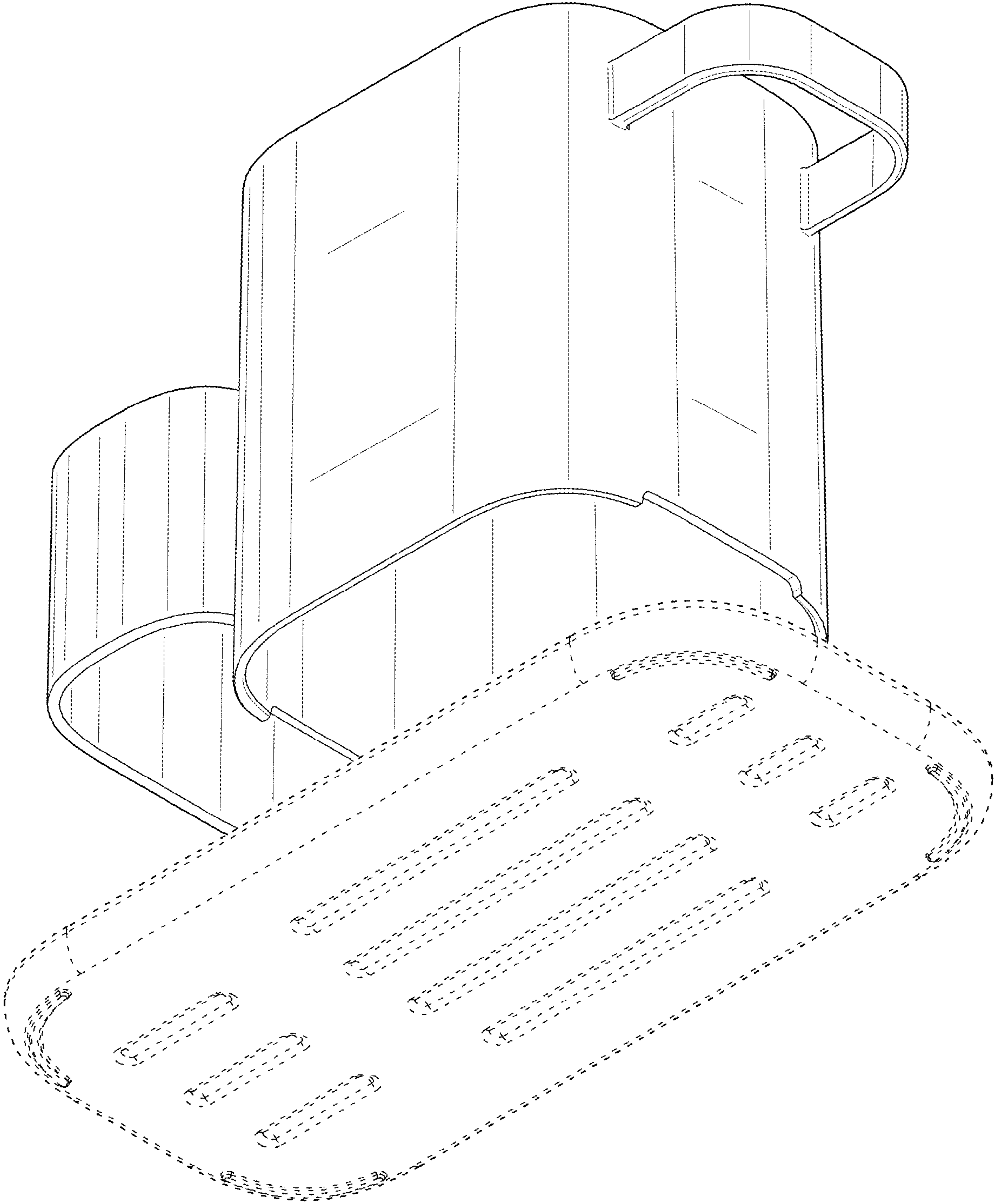


FIG. 9