



US00D885698S

(12) **United States Design Patent**
Li

(10) **Patent No.:** **US D885,698 S**

(45) **Date of Patent:** **** May 26, 2020**

(54) **ROBOTIC VACUUM CLEANER**

(71) Applicant: **Junying Li**, Haikou (CN)

(72) Inventor: **Junying Li**, Haikou (CN)

(73) Assignee: **Shenzhen Hua Xin Information Technology CO., Ltd**, Shenzhen (CN)

(**) Term: **15 Years**

(21) Appl. No.: **29/666,889**

(22) Filed: **Oct. 17, 2018**

(51) **LOC (12) Cl.** **15-05**

(52) **U.S. Cl.**
USPC **D32/21**

(58) **Field of Classification Search**
USPC D32/21, 23-24, 31
CPC ... E04H 4/1654; E04H 4/1663; E04H 4/1672;
A47L 9/2842; A47L 9/2636; A47L
9/2852; G06N 3/008; G05D 1/0225
See application file for complete search history.

(56) **References Cited**

U.S. PATENT DOCUMENTS

D548,902 S	*	8/2007	Chun	D32/21
D556,961 S	*	12/2007	Swyst	D15/199
D665,547 S	*	8/2012	Nam	D32/21
D669,235 S	*	10/2012	Bassett	D32/21
D690,478 S	*	9/2013	Li	D32/21

D703,397 S	*	4/2014	Sungkyung	D32/21
D714,002 S	*	9/2014	Casini	D32/21
D714,003 S	*	9/2014	Casini	D32/21
D715,504 S	*	10/2014	Deoksang	D32/21
D771,884 S	*	11/2016	Ninomiya	D32/21
D835,869 S	*	12/2018	Li	D32/21
D840,617 S	*	2/2019	Dou	D32/21
D843,671 S	*	3/2019	Chei	D32/21

* cited by examiner

Primary Examiner — Michael A. Pratt

(74) *Attorney, Agent, or Firm* — Justin Lampel

(57) **CLAIM**

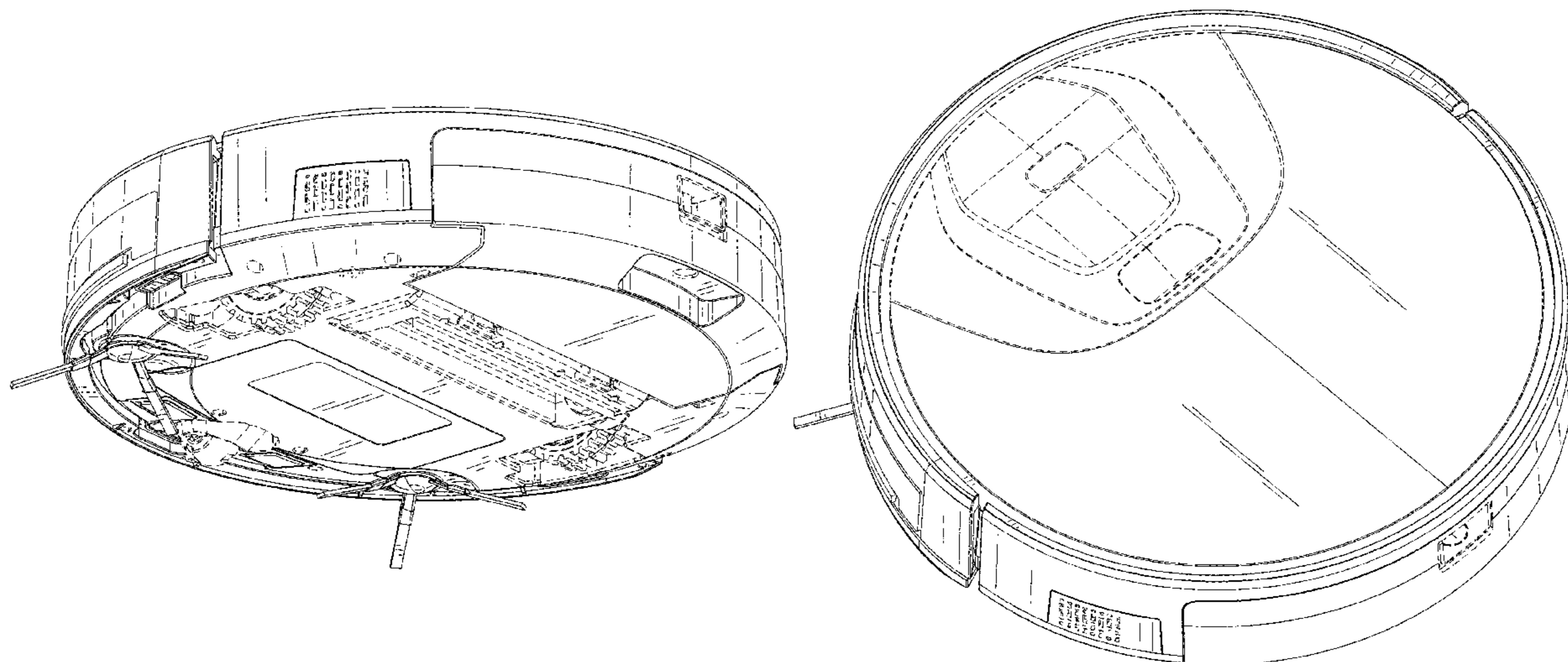
The ornamental design for a robotic vacuum cleaner, as shown and described.

DESCRIPTION

FIG. 1 is a perspective view of a robotic vacuum cleaner showing my new design;
FIG. 2 is a perspective view of a robotic vacuum cleaner showing my new design;
FIG. 3 is a top plan view thereof;
FIG. 4 is a bottom plan view thereof;
FIG. 5 is a rear elevational view thereof;
FIG. 6 is a right side view thereof;
FIG. 7 is a front elevational view thereof; and,
FIG. 8 is a left side view thereof.

The broken lines showing of the robotic vacuum cleaner is included for the purpose of illustrating portions of the “article” and forms no part of the claimed design.

1 Claim, 6 Drawing Sheets



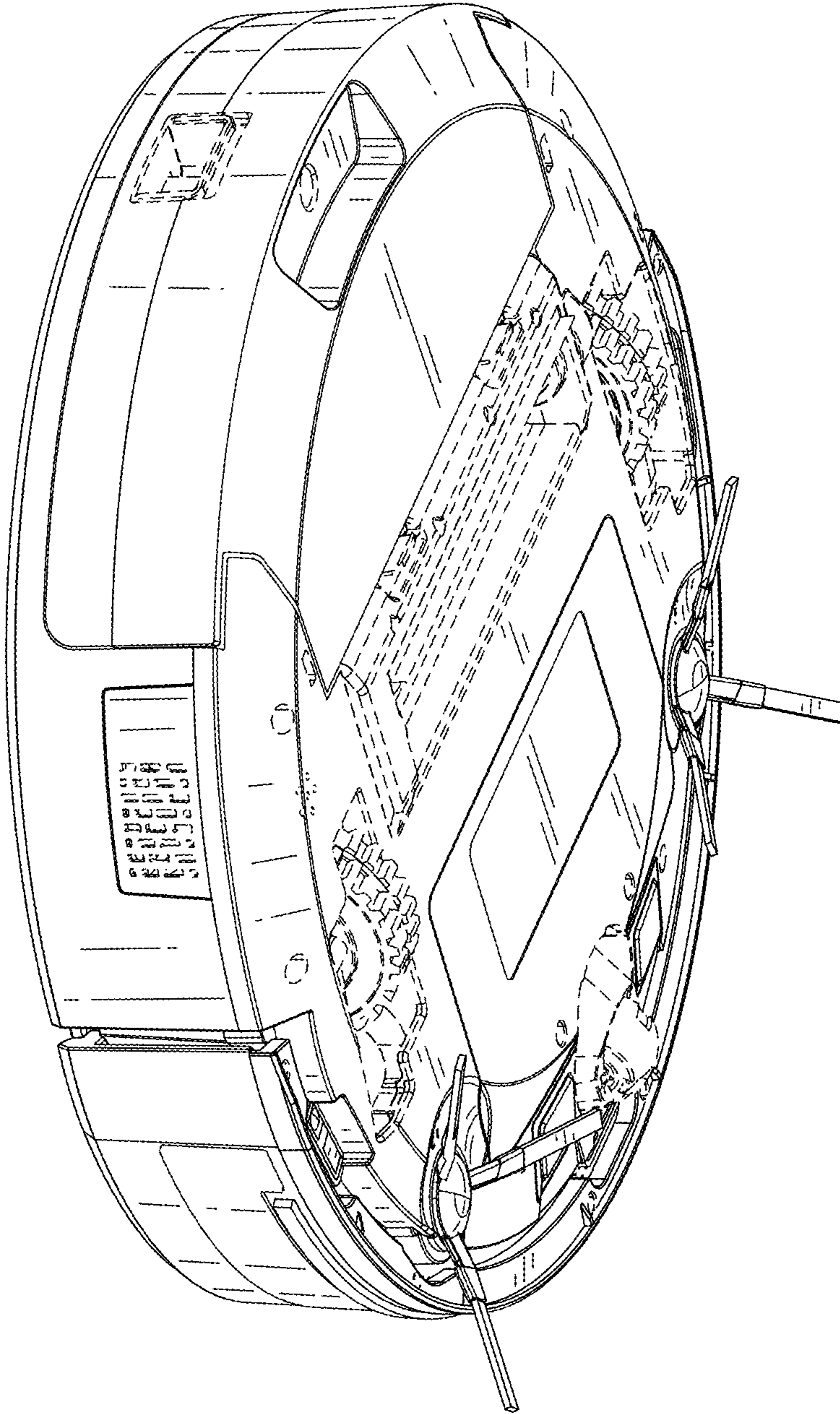


FIG. 1

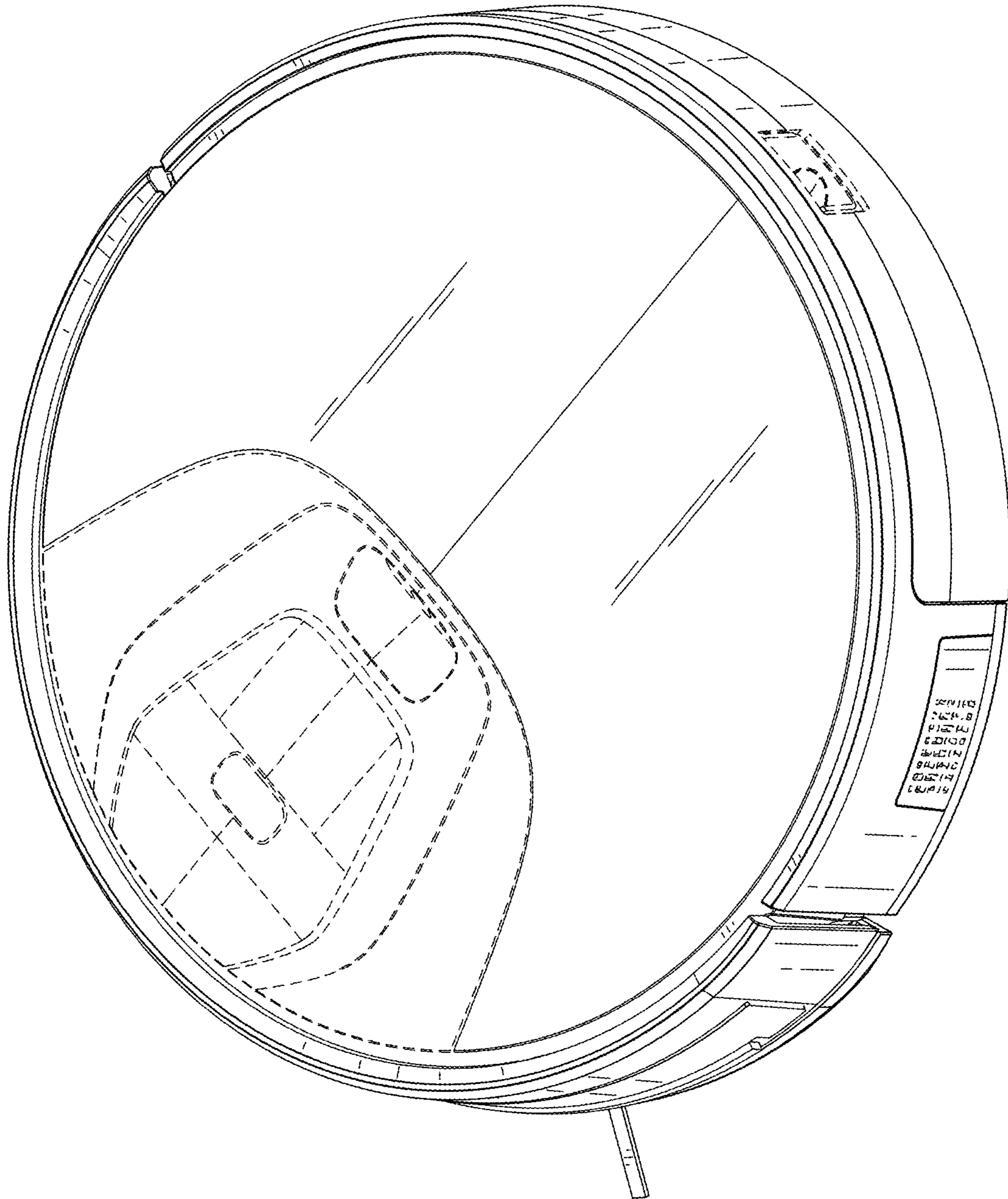


FIG. 2

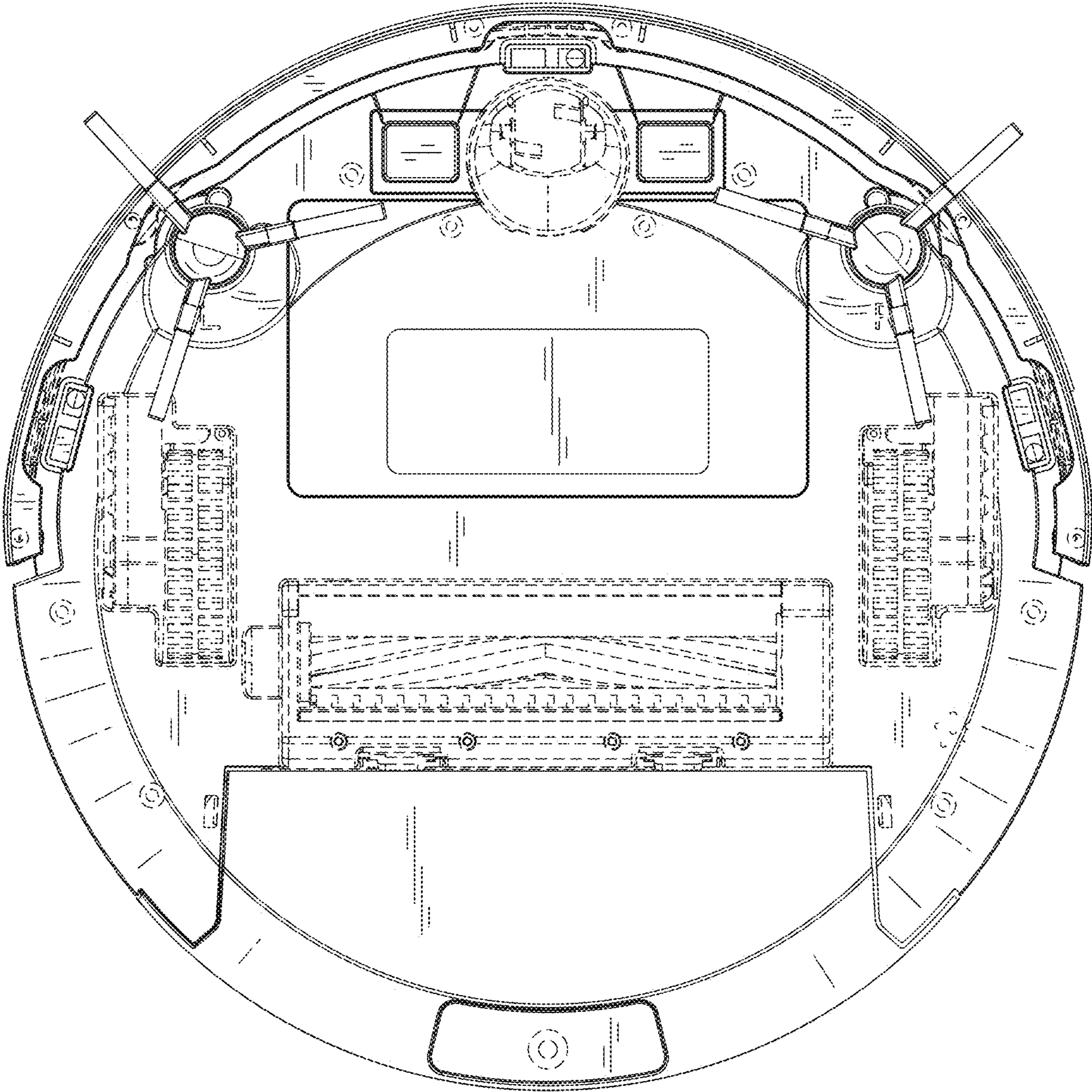


FIG. 3

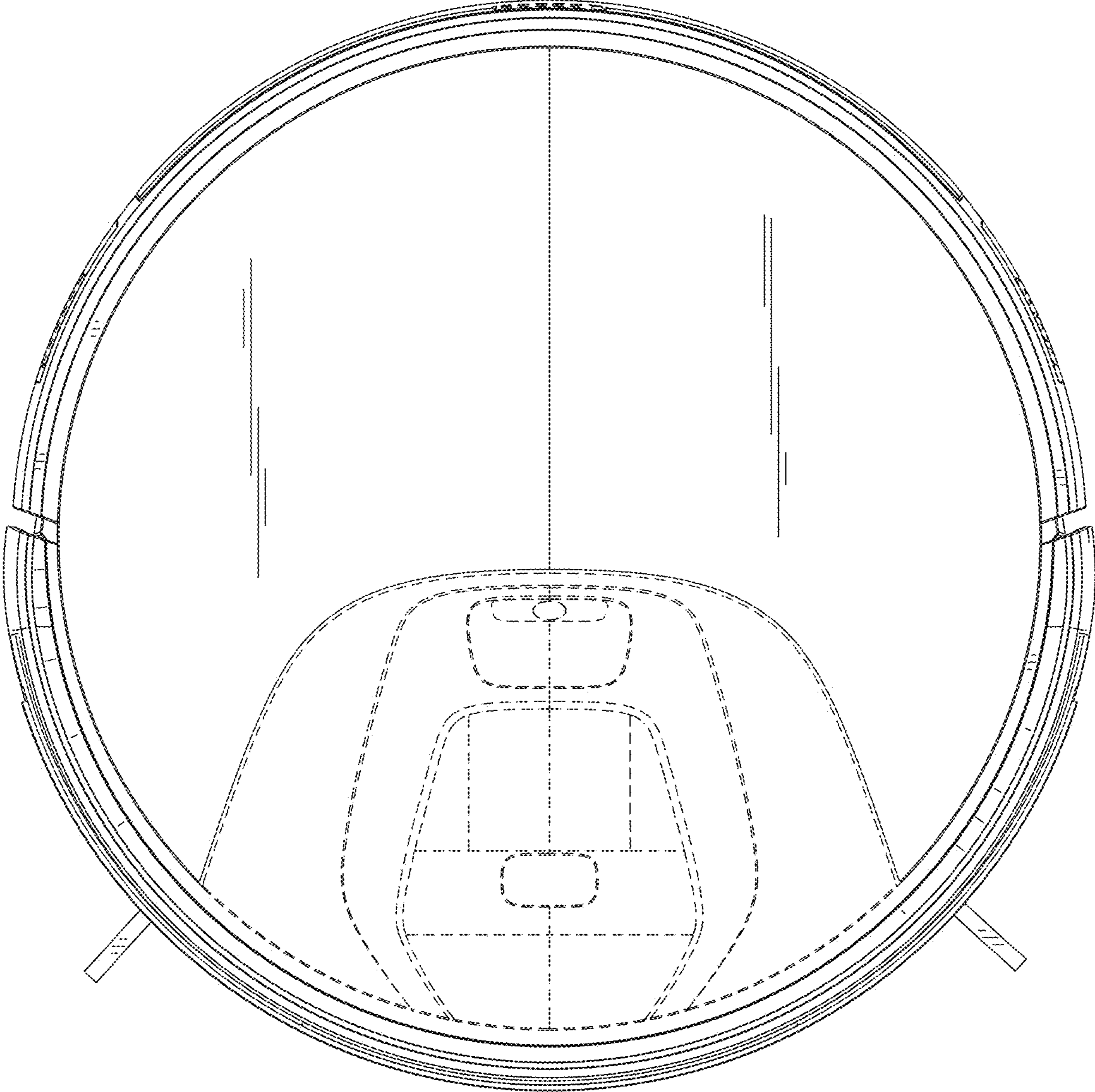


FIG. 4

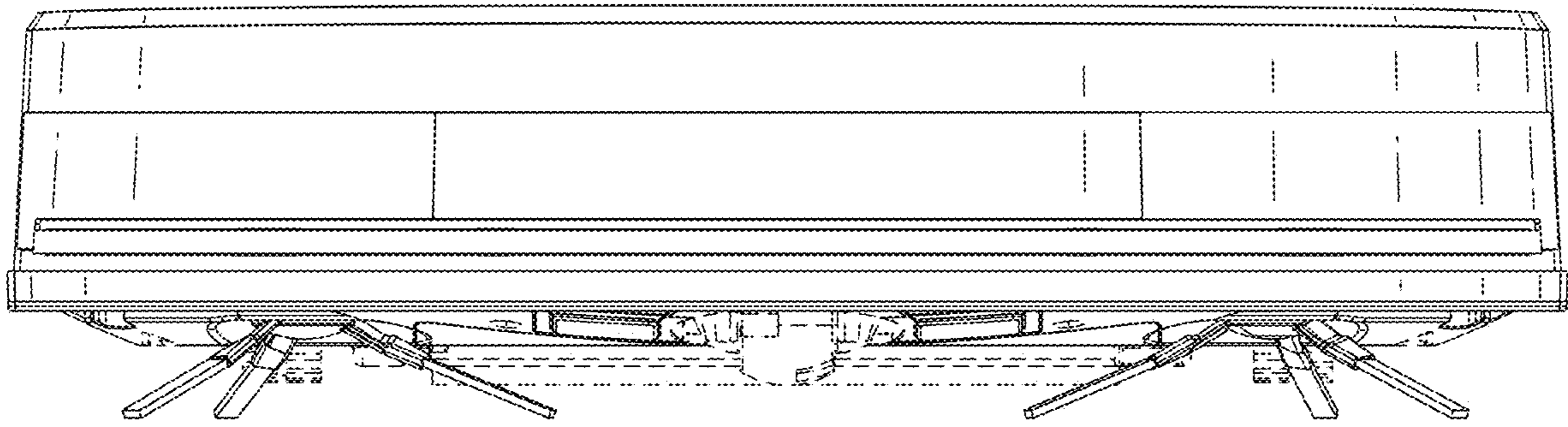


FIG. 5

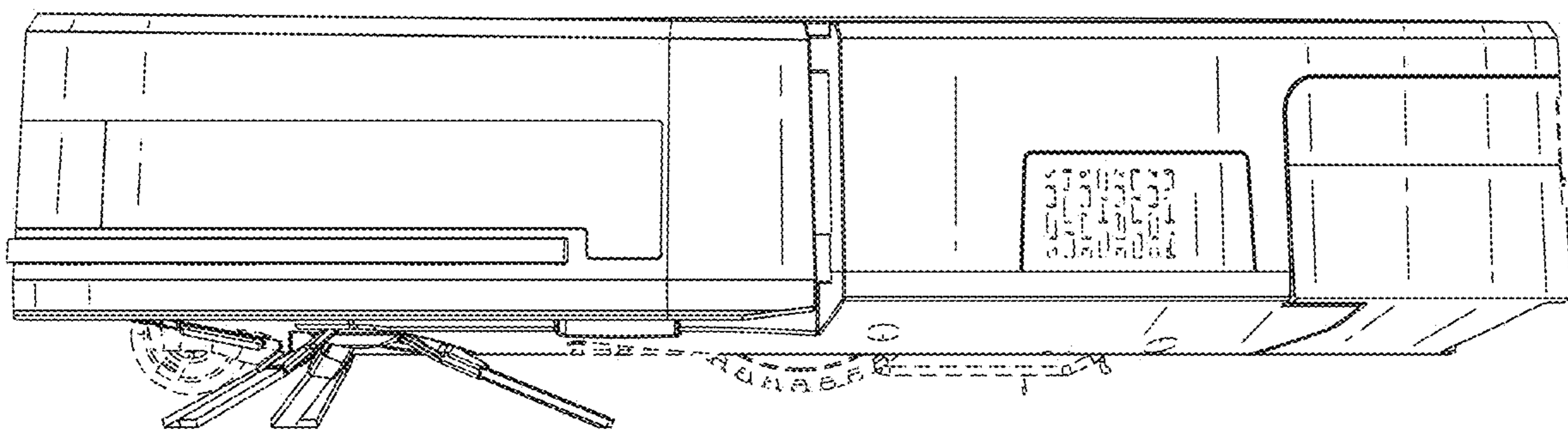


FIG. 6

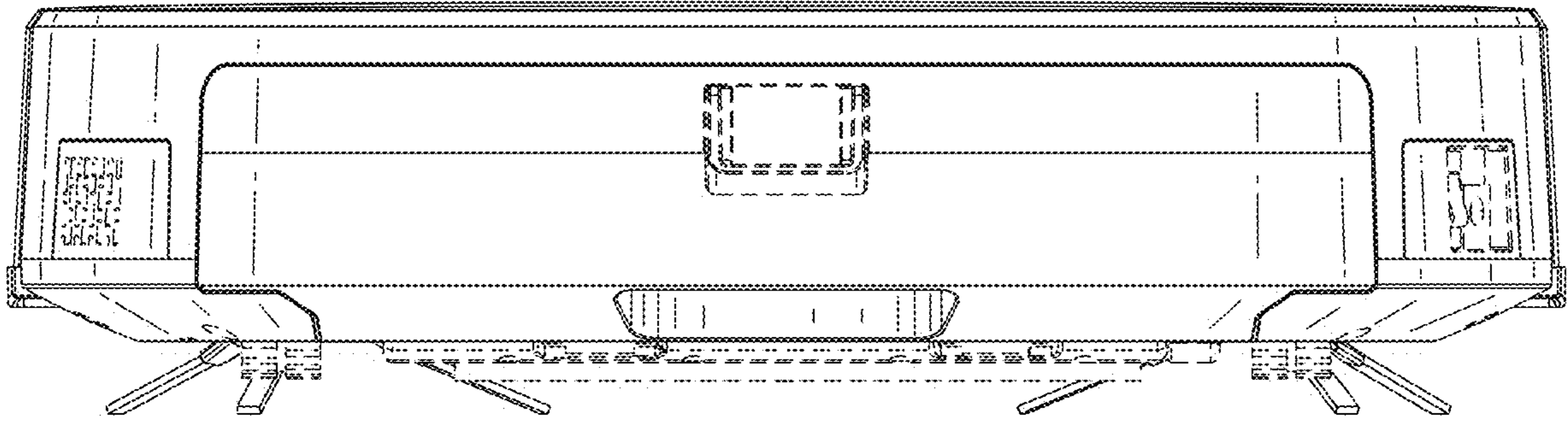


FIG. 7

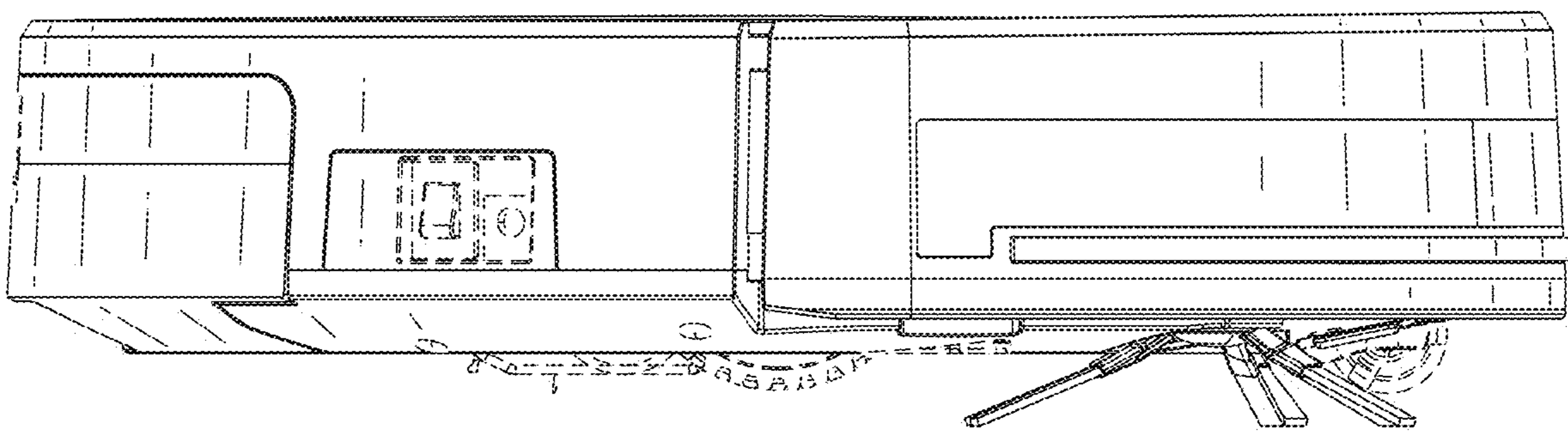


FIG. 8