



US00D885697S

(12) **United States Design Patent**
Brockman et al.

(10) **Patent No.:** **US D885,697 S**
(45) **Date of Patent:** **** May 26, 2020**

(54) **CABLE SNAKE**

- (71) Applicant: **Power Products, LLC**, Menomonee Falls, WI (US)
- (72) Inventors: **Daryl C. Brockman**, Shorewood, WI (US); **Andrew J. Janetski**, Birchwood, WI (US)
- (73) Assignee: **ECM Industries, LLC**, Menomonee Falls, WI (US)

(**) Term: **15 Years**

(21) Appl. No.: **29/611,251**

(22) Filed: **Jul. 19, 2017**

(51) **LOC (12) Cl.** **15-05**

(52) **U.S. Cl.**
USPC **D32/14**

(58) **Field of Classification Search**
USPC D32/1, 14, 25, 34, 35; D8/14, 300, D8/315-320; D10/72, 74; 33/759; 254/134.3 FT; 242/395, 405.3; 15/104.33
CPC E03D 9/00; H02G 1/083; G01B 3/10
See application file for complete search history.

(56) **References Cited**

U.S. PATENT DOCUMENTS

3,078,058	A *	2/1963	Roe	G01B 3/1041	242/395
5,531,395	A	7/1996	Hsu			
5,575,077	A	11/1996	Jung Tae			
6,896,242	B1	5/2005	Konen			
D506,939	S	7/2005	King			
7,374,150	B2	5/2008	Wiesemann et al.			
D574,277	S *	8/2008	Kendzierski	D10/72	
7,559,154	B2 *	7/2009	Levine	G01B 3/1005	33/755

(Continued)

FOREIGN PATENT DOCUMENTS

CA 179252 * 2/2019

OTHER PUBLICATIONS

Fish Tape posted by Gardner Bender posted date Jul. 27, 2017, © Amazon, [online], [site visited Mar. 27, 2019]. Available from Internet, <https://www.amazon.com/Gardner-Bender-EFT-15-Electrical-Fishing> (Year: 2017).*

(Continued)

Primary Examiner — Cynthia Ramirez

Assistant Examiner — Laura H Yu

(74) *Attorney, Agent, or Firm* — Michael Best & Friedrich LLP

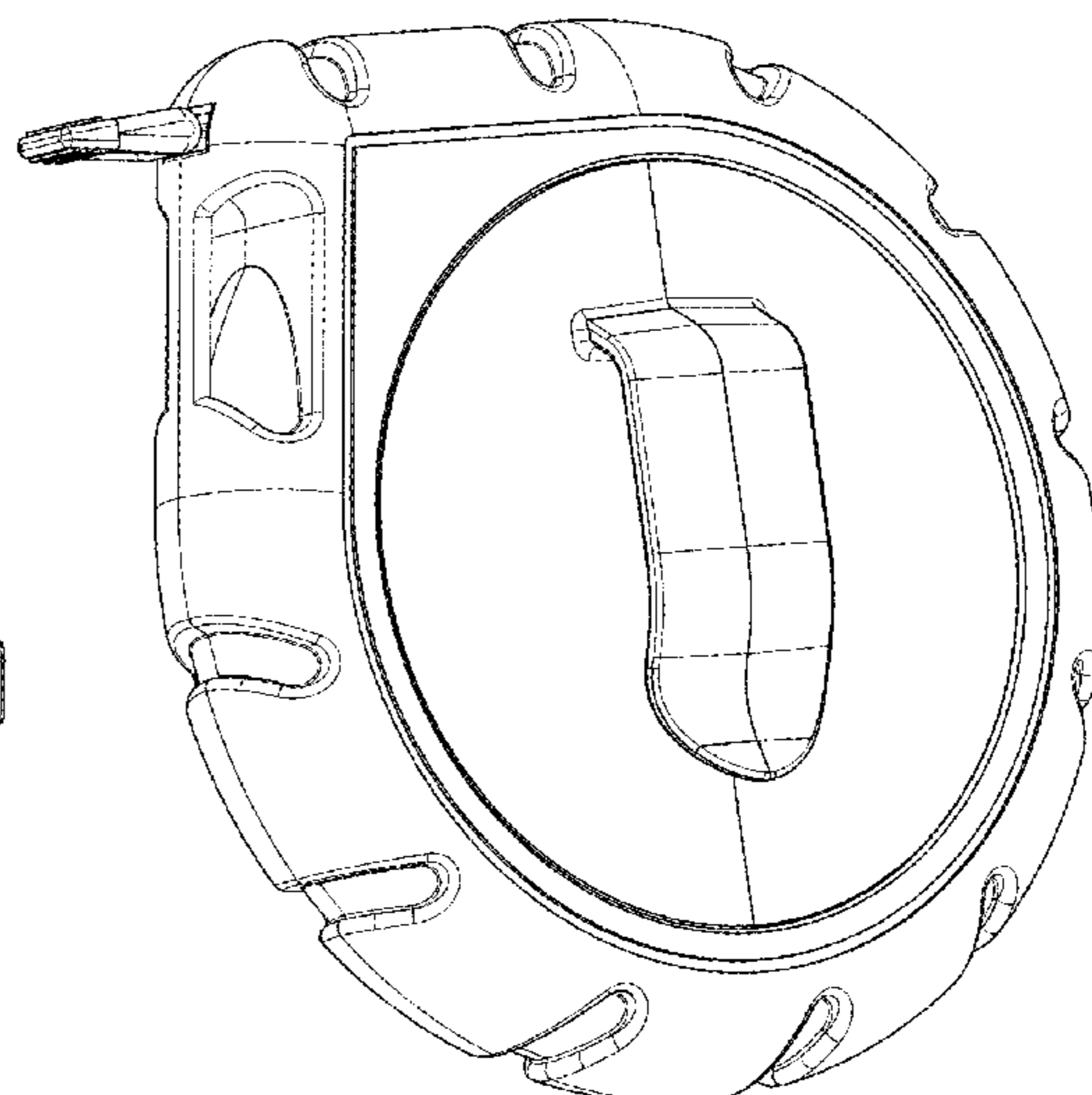
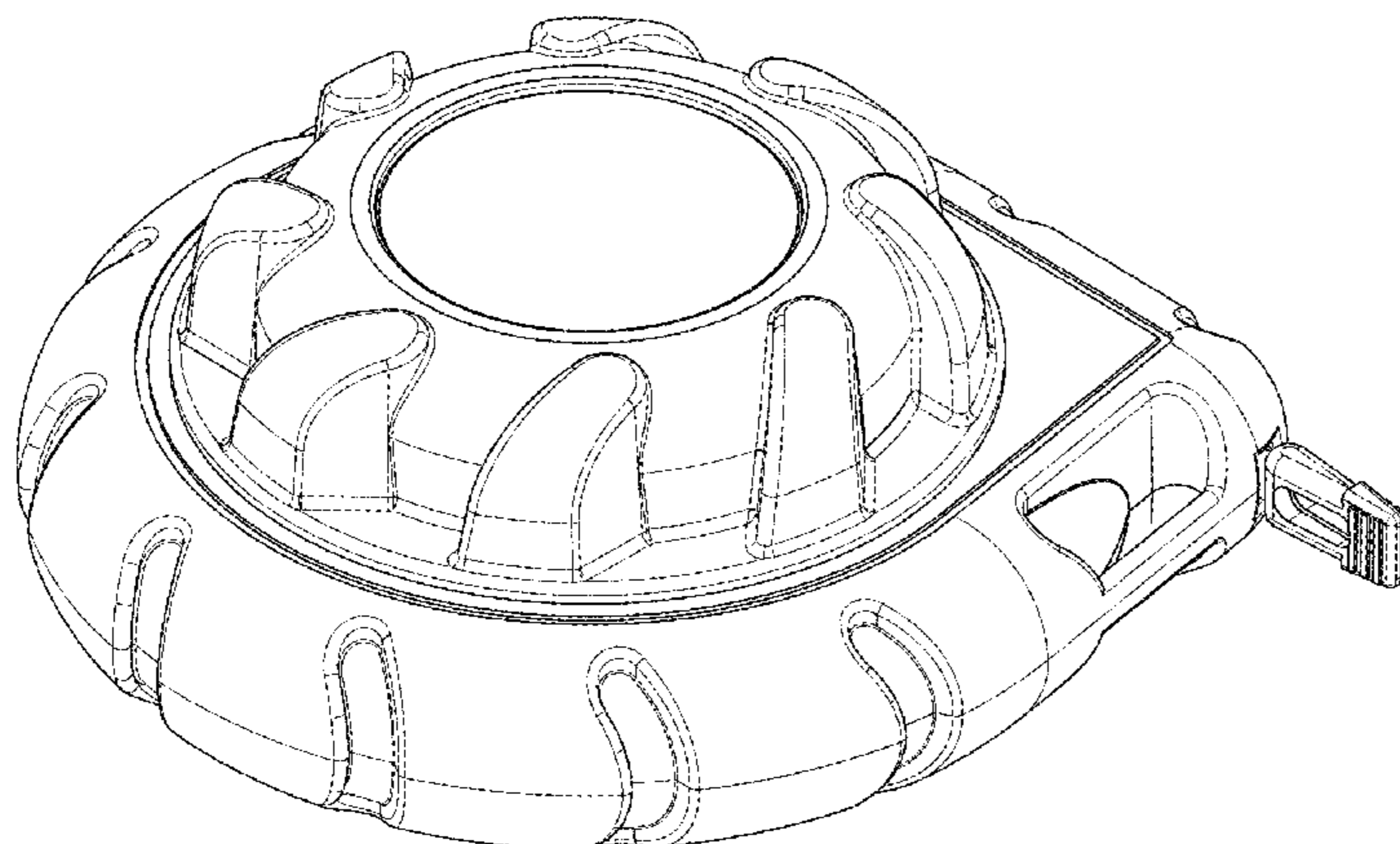
(57) **CLAIM**

We claim the ornamental design for a cable snake, as shown and described.

DESCRIPTION

FIG. 1 is a front perspective view of a cable snake.
 FIG. 2 is another front perspective view of the cable snake shown in FIG. 1.
 FIG. 3 is a rear perspective view of the cable snake shown in FIG. 1.
 FIG. 4 is another rear perspective view of the cable snake shown in FIG. 1.
 FIG. 5 is a front view of the cable snake shown in FIG. 1.
 FIG. 6 is a rear view of the cable snake shown in FIG. 1.
 FIG. 7 is a right side view of the cable snake shown in FIG. 1.
 FIG. 8 is a left side view of the cable snake shown in FIG. 1.
 FIG. 9 is a top view of the cable snake shown in FIG. 1; and, FIG. 10 is a bottom view of the cable snake shown in FIG. 1.

1 Claim, 10 Drawing Sheets



(56)

References Cited

U.S. PATENT DOCUMENTS

D613,629	S *	4/2010	Suzuki	D10/72
D680,888	S *	4/2013	Ranieri	D10/72
8,651,459	B2	2/2014	Axon et al.	
D700,530	S *	3/2014	Carl	D10/72
8,899,554	B2	12/2014	Wong et al.	
9,080,849	B2 *	7/2015	Steele	G01B 3/1041
D783,430	S *	4/2017	Wortelboer	D10/72
D787,347	S *	5/2017	Wortelboer	D10/72
D817,200	S *	5/2018	Wortelboer	D10/72
2001/0029676	A1	10/2001	Biglin et al.	
2002/0133965	A1	9/2002	Gilber	
2007/0101599	A1 *	5/2007	Levine	G01B 3/1005 33/755
2007/0256314	A1	11/2007	Ruiz	
2007/0272905	A1	11/2007	Ziebart et al.	
2013/0025147	A1 *	1/2013	Steele	G01B 3/1041 33/769
2013/0133215	A1 *	5/2013	Bridges	G01B 3/1005 33/701
2015/0107128	A1 *	4/2015	Kar Ho Samuel ..	G01B 3/1041 33/758
2017/0176160	A1 *	6/2017	Scarborough	G01B 3/1084
2018/0346281	A1 *	12/2018	Hall	B65H 75/486
2019/0027905	A1 *	1/2019	Sweeney	B65H 75/28

OTHER PUBLICATIONS

Conduit Fishing posted by Gardner Bender posted date Oct. 16, 2017, © YouTube, [online], [site visited Mar. 27, 2019]. Available from Internet, <https://www.youtube.com/watch?v=LyaR1fZBX1o> (Year: 2017).*

* cited by examiner

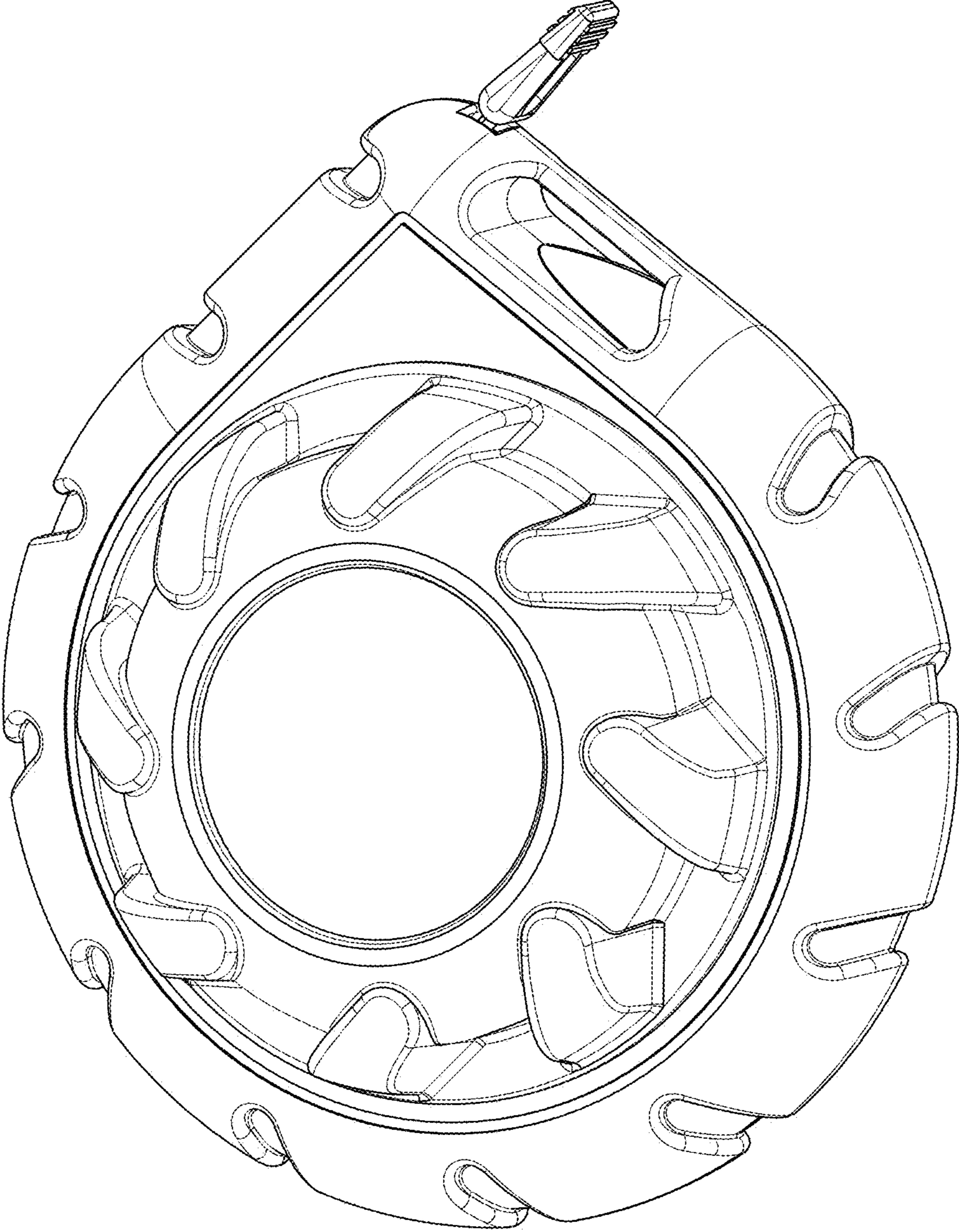


FIG. 1

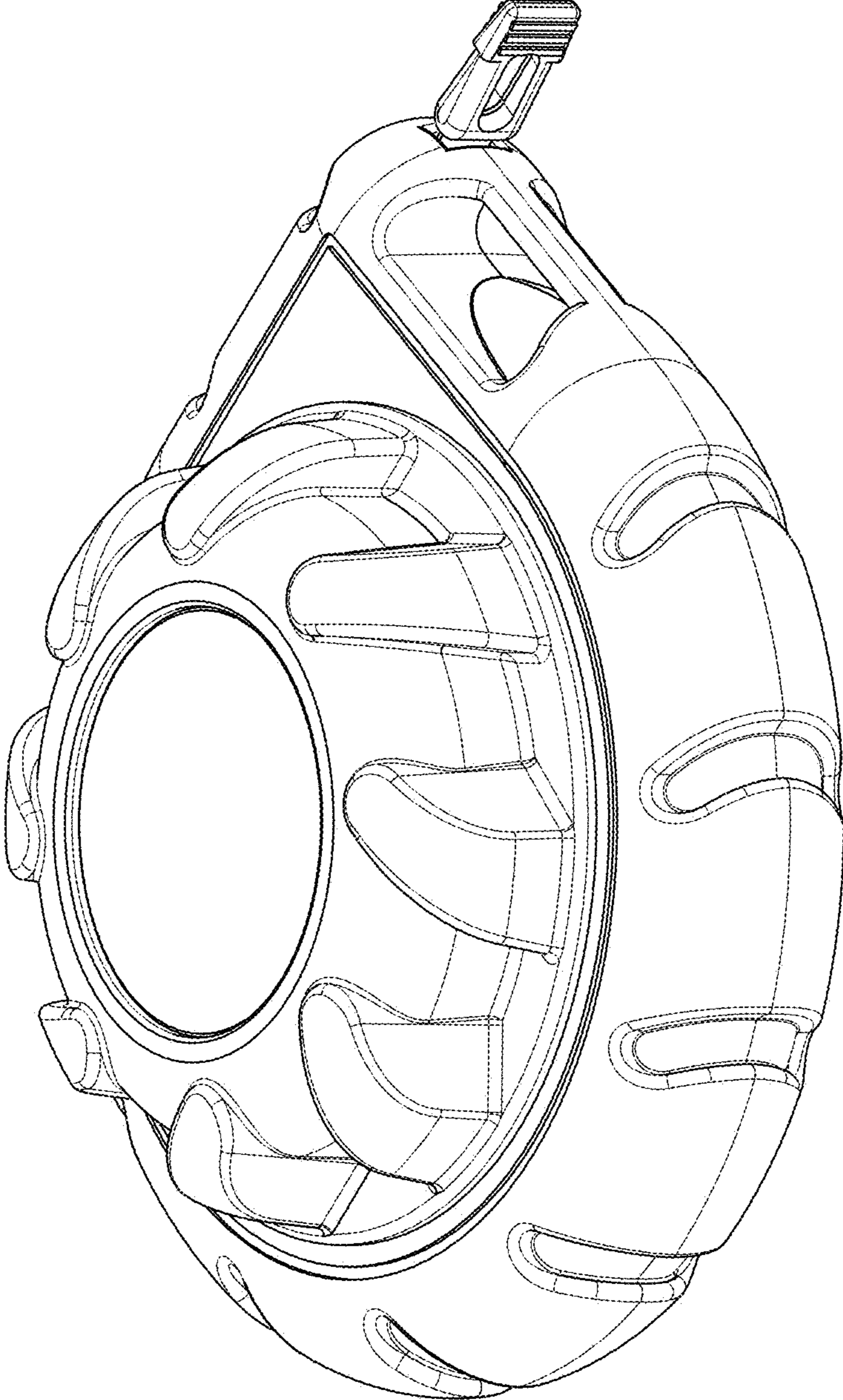


FIG. 2

FIG. 3

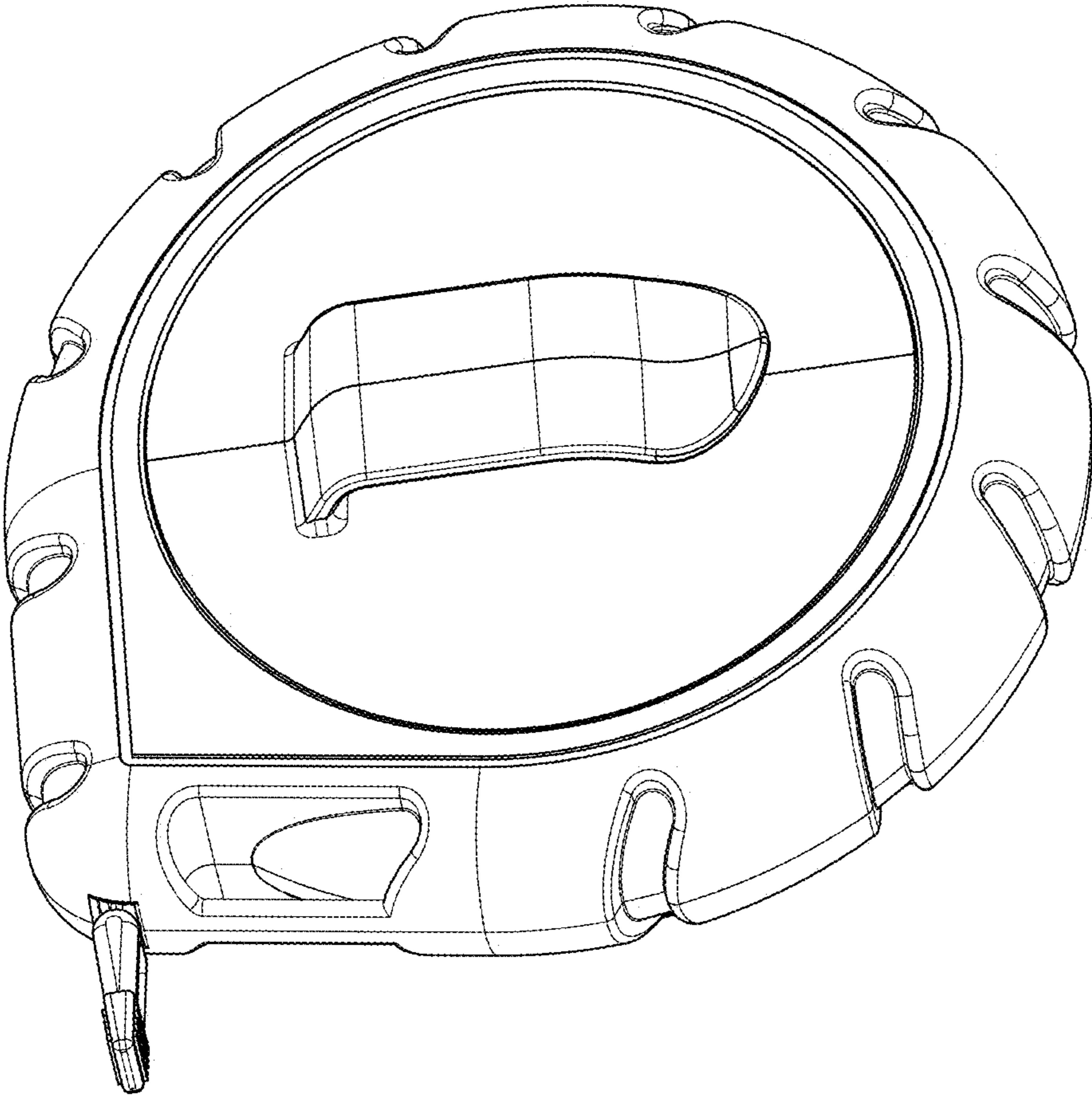
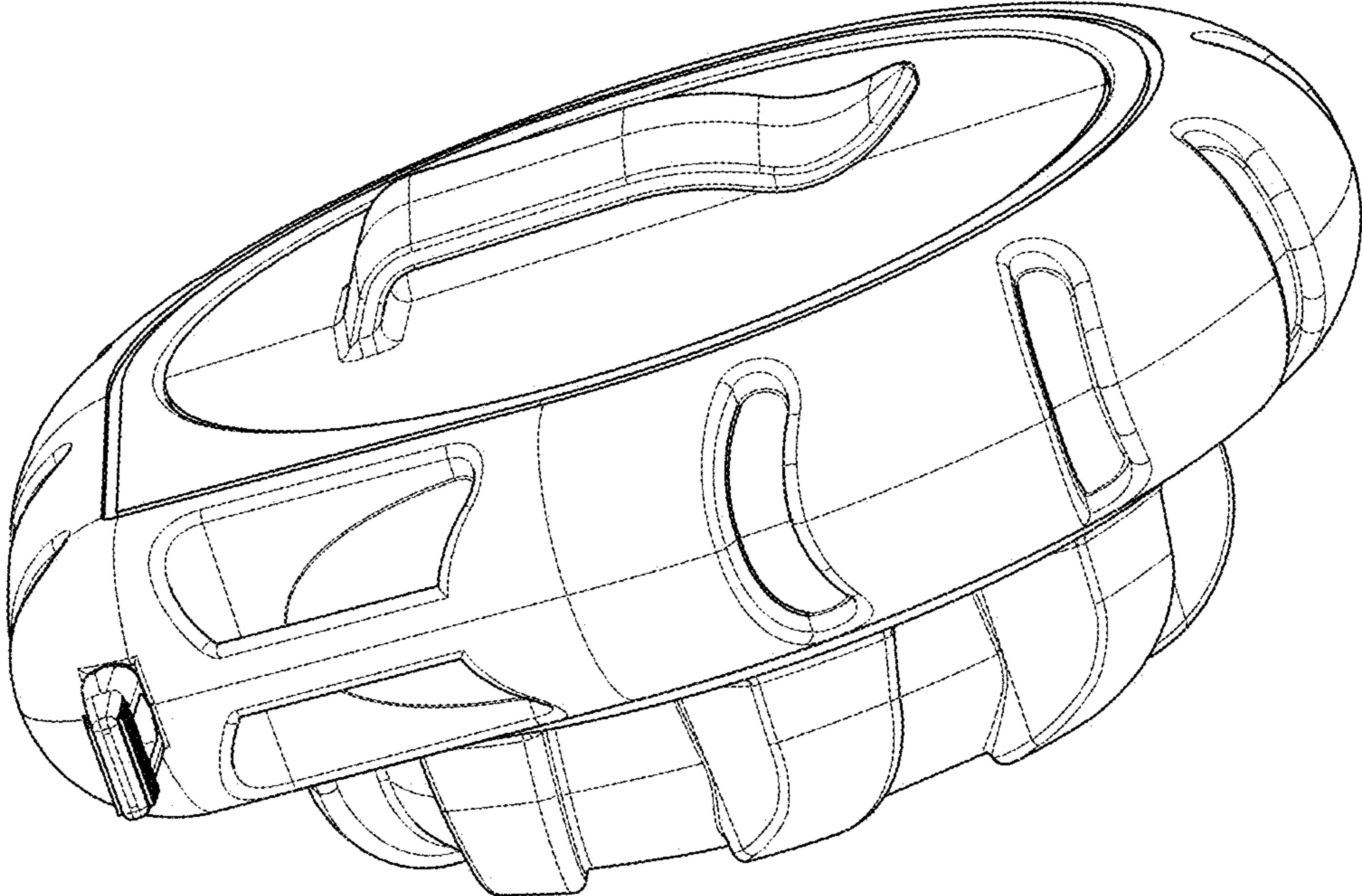


FIG. 4



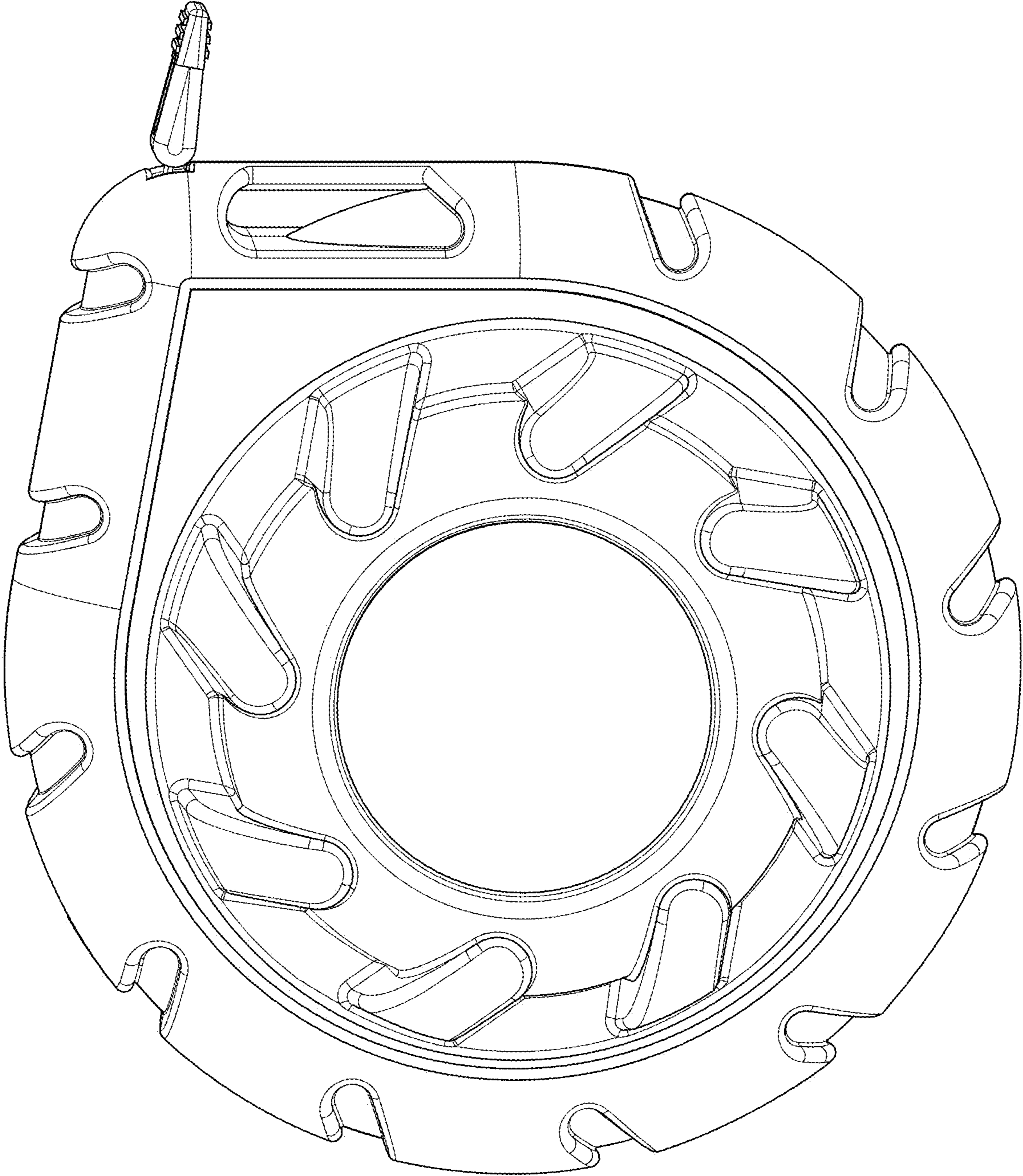


FIG. 5

FIG. 6

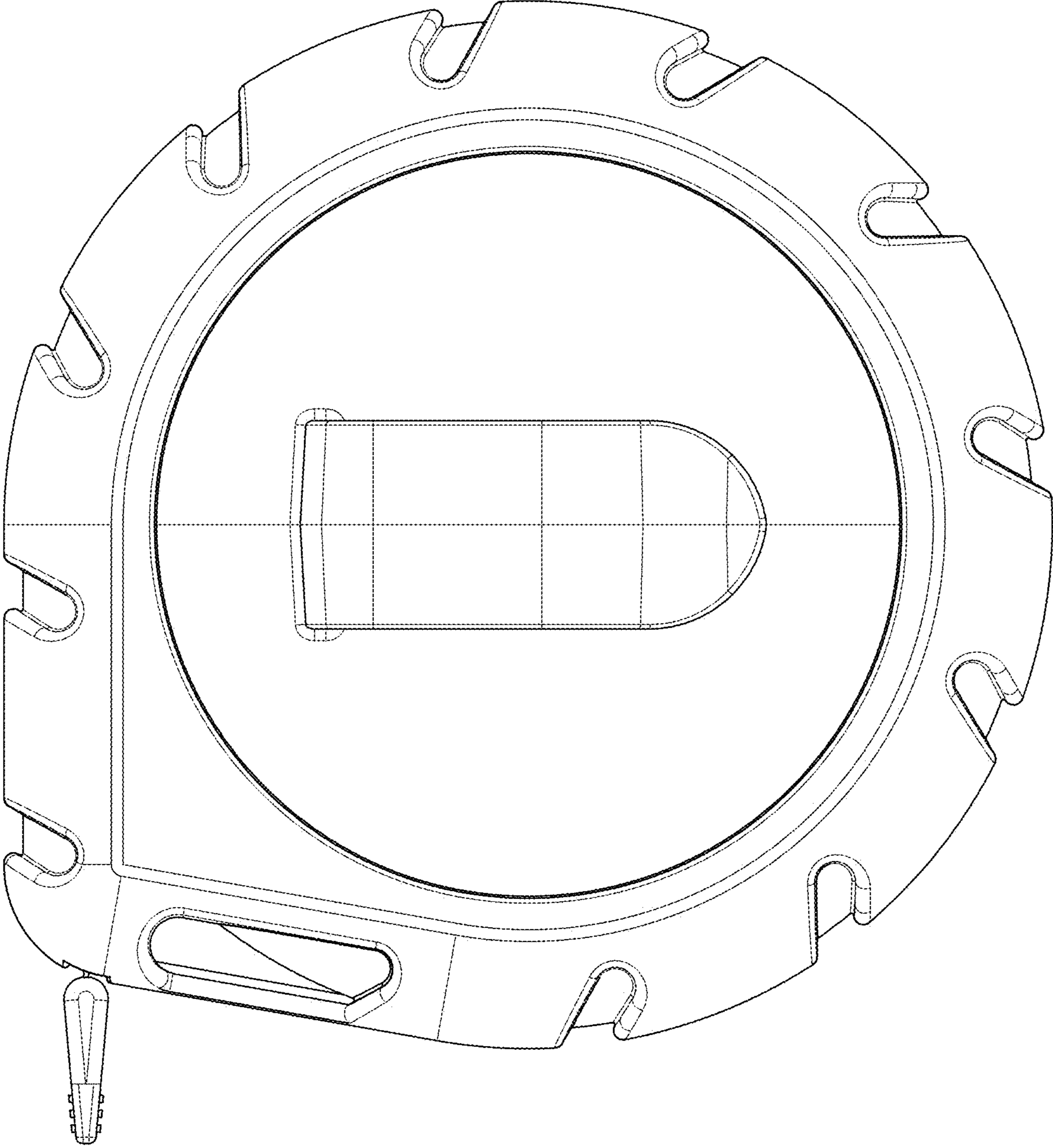
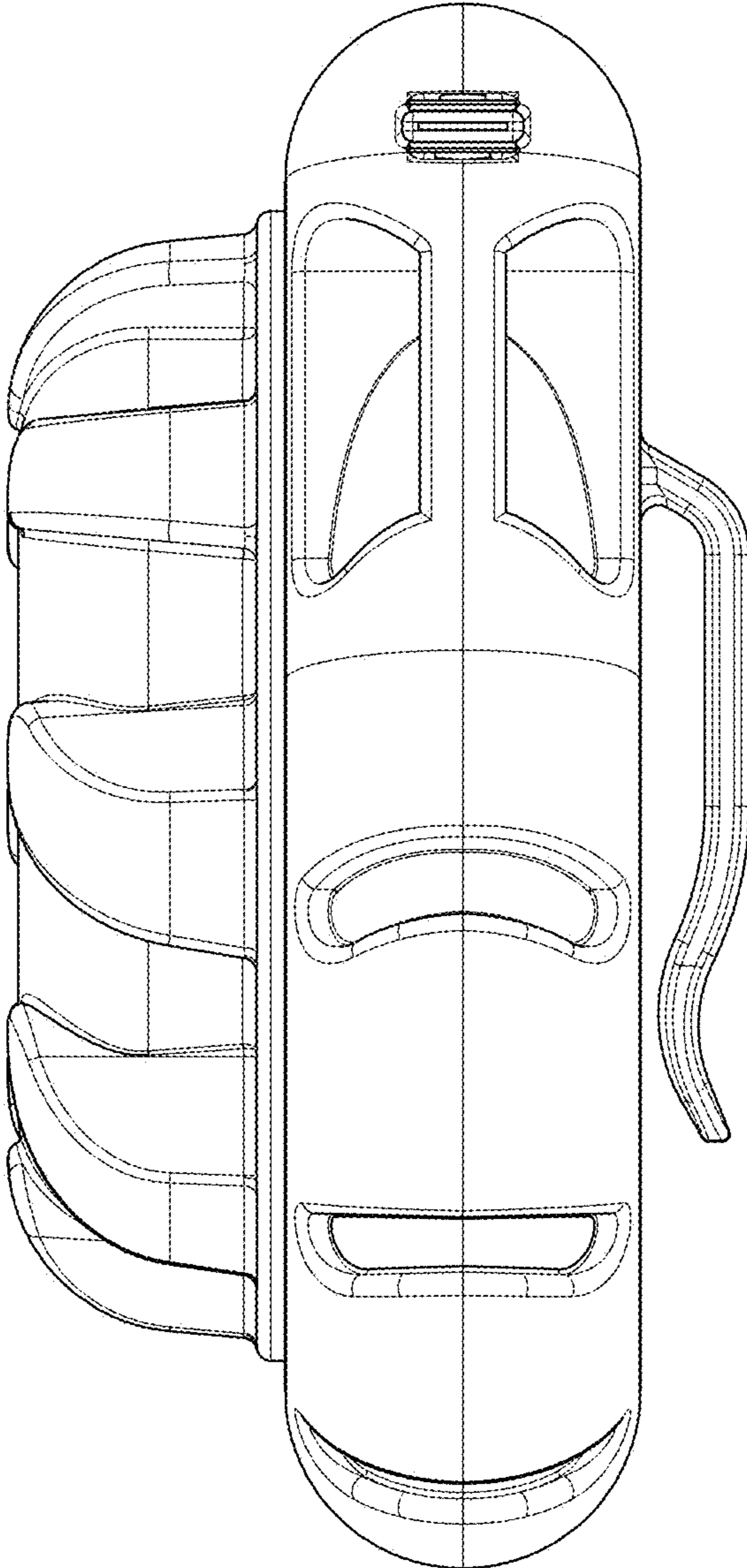


FIG. 7



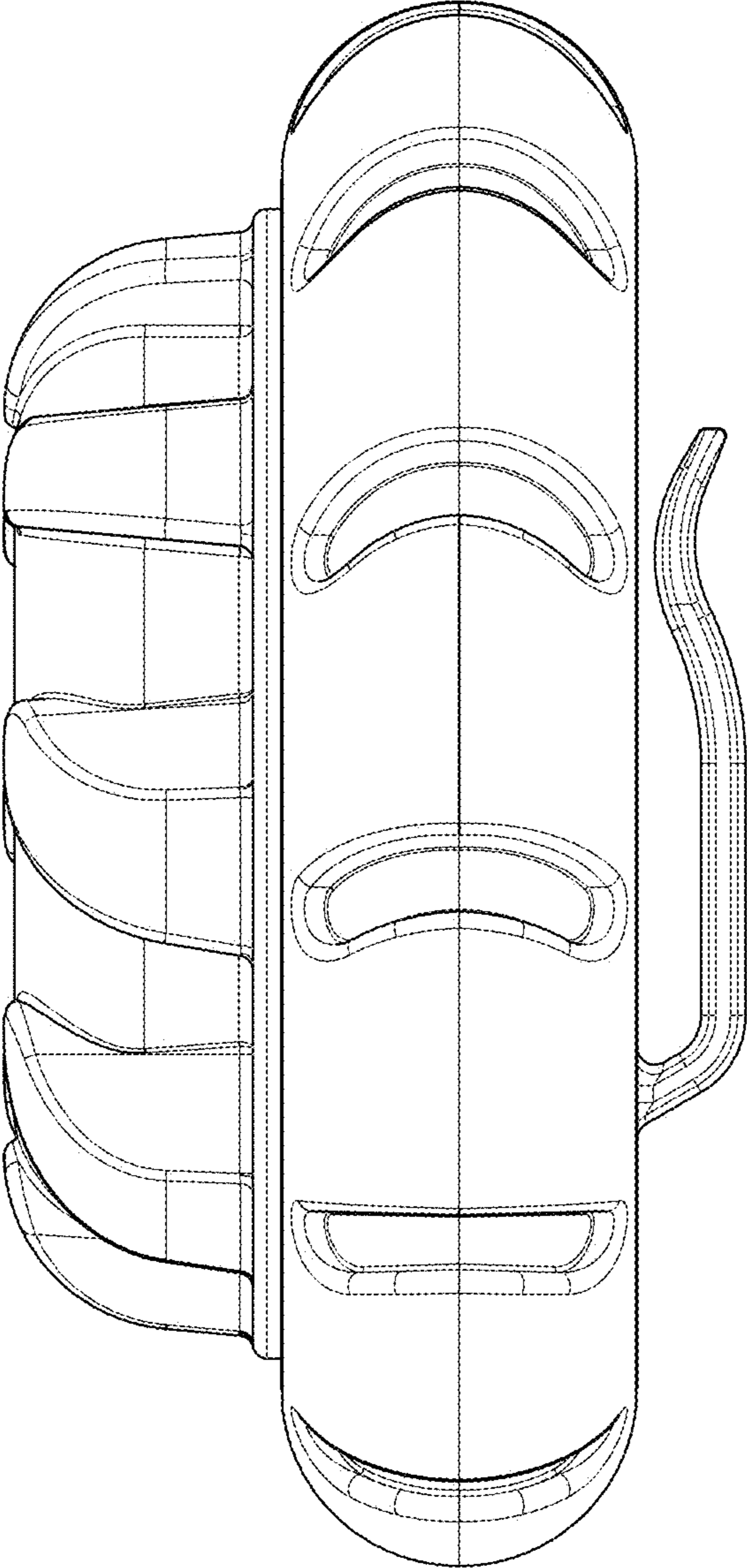


FIG. 8

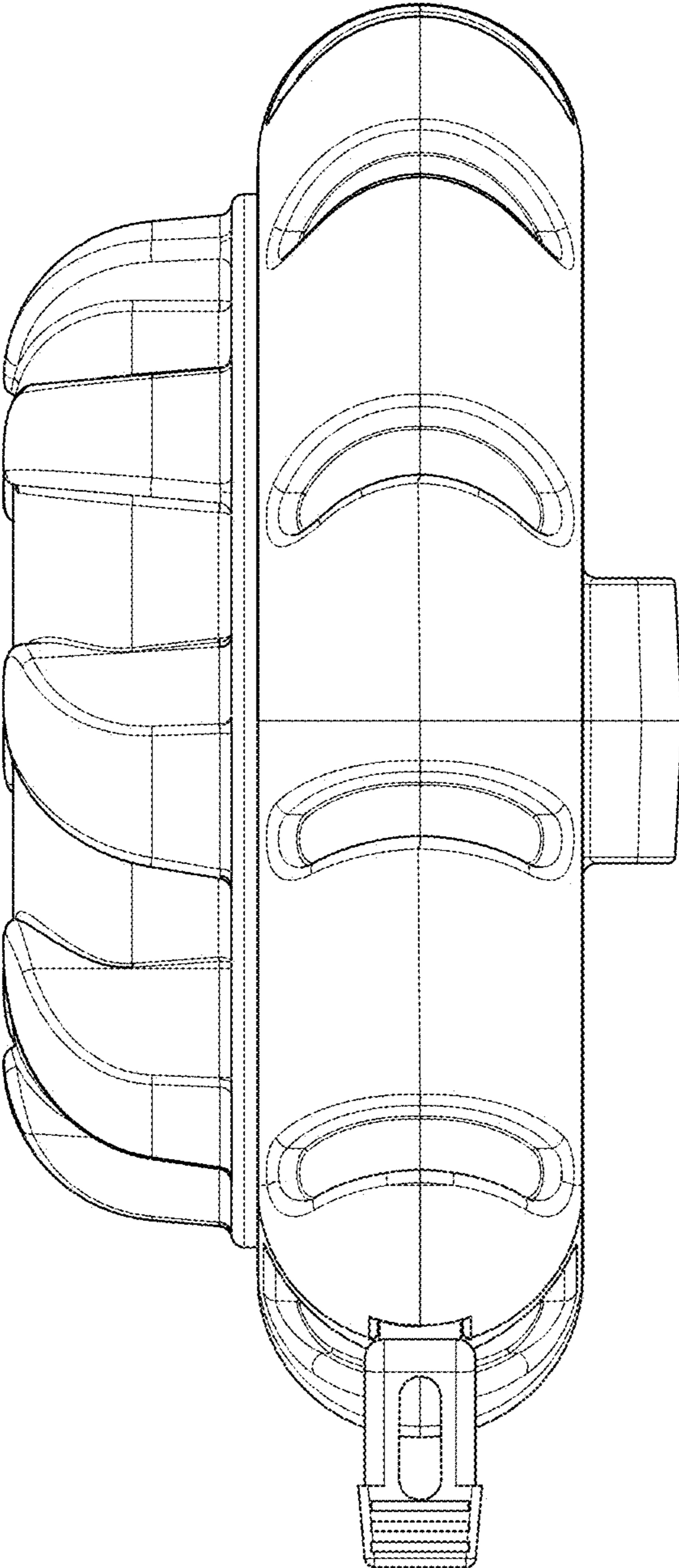


FIG. 9

FIG. 10

