



US00D885691S

(12) **United States Design Patent** (10) **Patent No.:** **US D885,691 S**  
**Song** (45) **Date of Patent:** **\*\* May 26, 2020**

(54) **CAT TREE**

(71) Applicant: **AMEZIEL INC**, Ontario, CA (US)

(72) Inventor: **Chuan Song**, Zhengzhou (CN)

(\*\*) Term: **15 Years**

(21) Appl. No.: **29/660,670**

(22) Filed: **Aug. 22, 2018**

(51) **LOC (12) Cl.** ..... **30-99**

(52) **U.S. Cl.**

USPC ..... **D30/160**

(58) **Field of Classification Search**

USPC ..... D30/108, 118, 119, 130, 158; 119/28.5,  
119/452, 453, 482, 498, 499, 702, 708;  
D6/349-350; D21/826

CPC .... A01K 1/033; A01K 15/024; A01K 15/025;  
A01K 15/26; A01K 15/27; A61J 17/00;  
B65D 17/163; B65D 17/165

See application file for complete search history.

(56) **References Cited**

**U.S. PATENT DOCUMENTS**

D257,293 S *	10/1980	Michalski	.....	D30/158
D261,186 S *	10/1981	Michalski	.....	D30/158
D406,678 S *	3/1999	Rittenhouse	.....	D30/108
6,966,277 B2 *	11/2005	DeRaspe-Bolles	.....	A01K 15/024
				119/702
D611,204 S *	3/2010	Slater	.....	D30/160
D677,022 S *	2/2013	Cirincione	.....	D30/160

D774,707 S *	12/2016	Kellogg	.....	D30/160
D846,206 S *	4/2019	He	.....	D30/160
D846,818 S *	4/2019	He	.....	D30/160
2011/0155073 A1 *	6/2011	Kilroy	.....	A01K 15/024
				119/247
2019/0230896 A1 *	8/2019	Goldman	.....	A01K 1/033

**OTHER PUBLICATIONS**

“Basket Lounger Cat Tree” available Sep. 10, 2018, [online], [site visited Aug. 26, 2019]. Retrieved from Internet, URL:https://www.songmics.com/basket-lounger-cat-tree-upct60gyz.html (Year: 2018).\*

\* cited by examiner

*Primary Examiner* — Michael C Stout

*Assistant Examiner* — Katrina N Gonzalez

(74) *Attorney, Agent, or Firm* — Tsz Lung Yeung

(57) **CLAIM**

The ornamental design for a cat tree, as shown and described.

**DESCRIPTION**

FIG. 1 is a perspective view of a cat tree showing my new design;

FIG. 2 is a front view thereof;

FIG. 3 is a rear view thereof;

FIG. 4 is a right side view thereof;

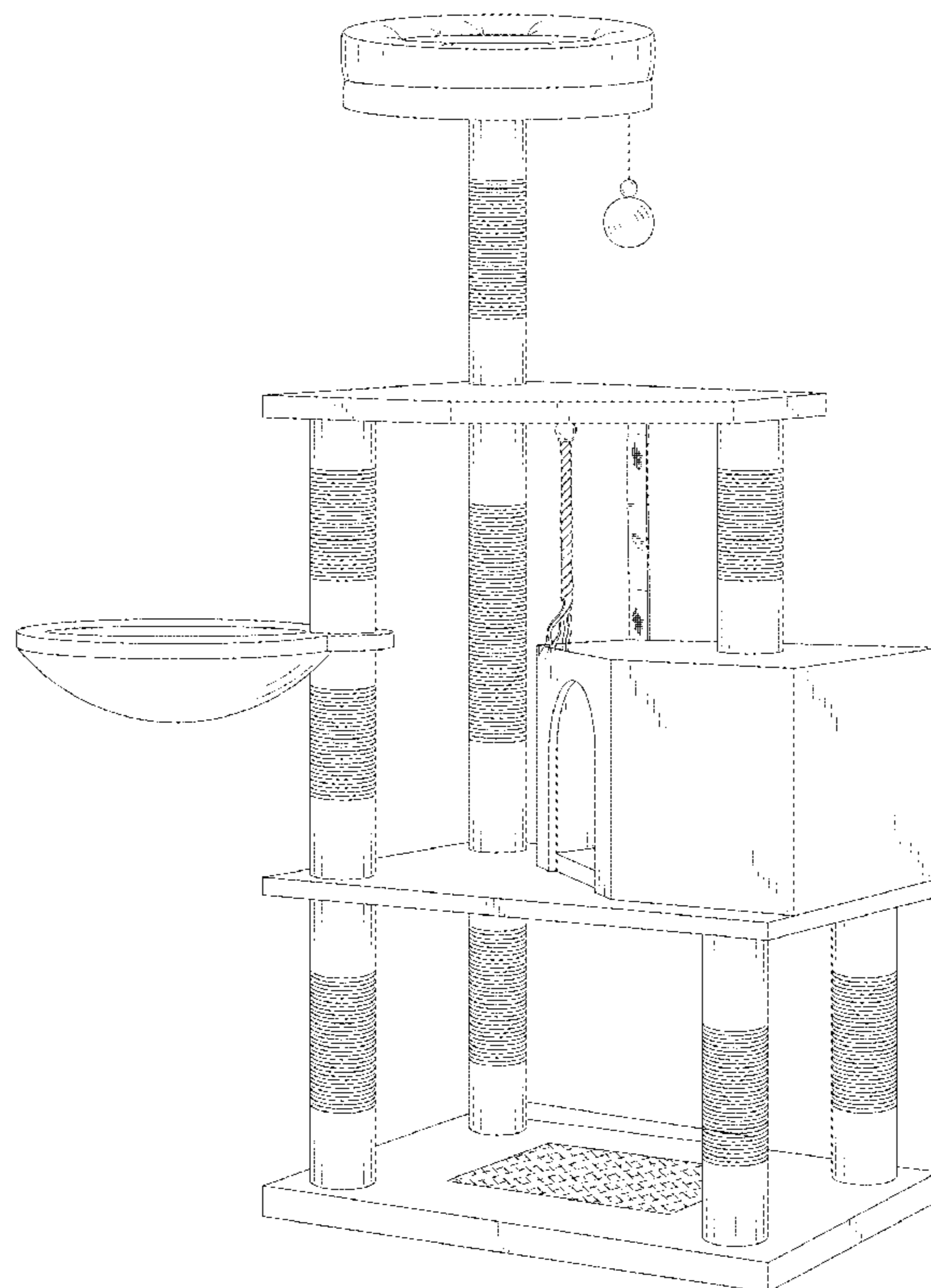
FIG. 5 is a left side view thereof;

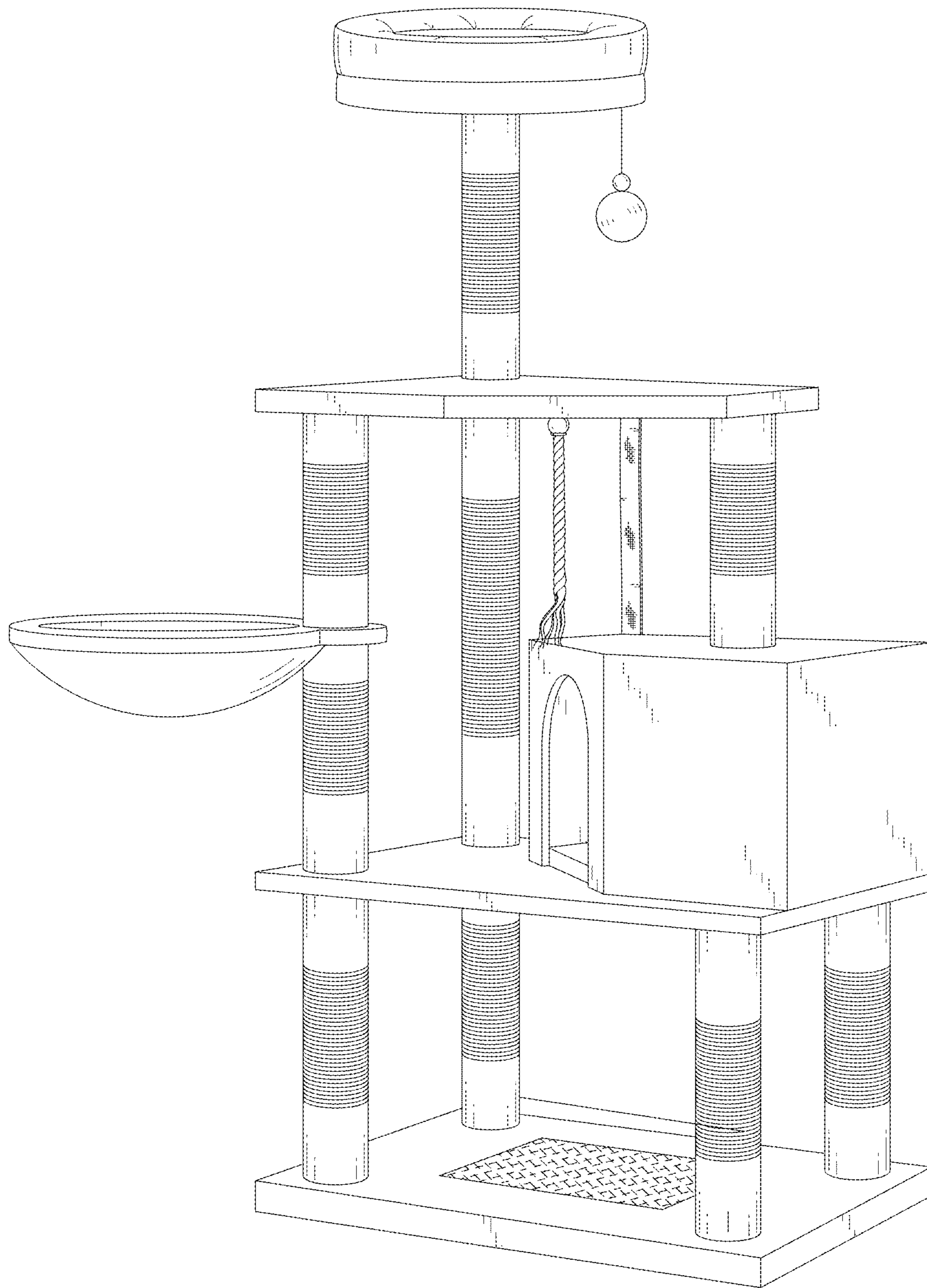
FIG. 6 is a top view thereof; and,

FIG. 7 is a bottom view thereof.

The broken lines illustrate portions of the cat tree that form no part of the claimed design.

**1 Claim, 7 Drawing Sheets**





*FIG. 1*

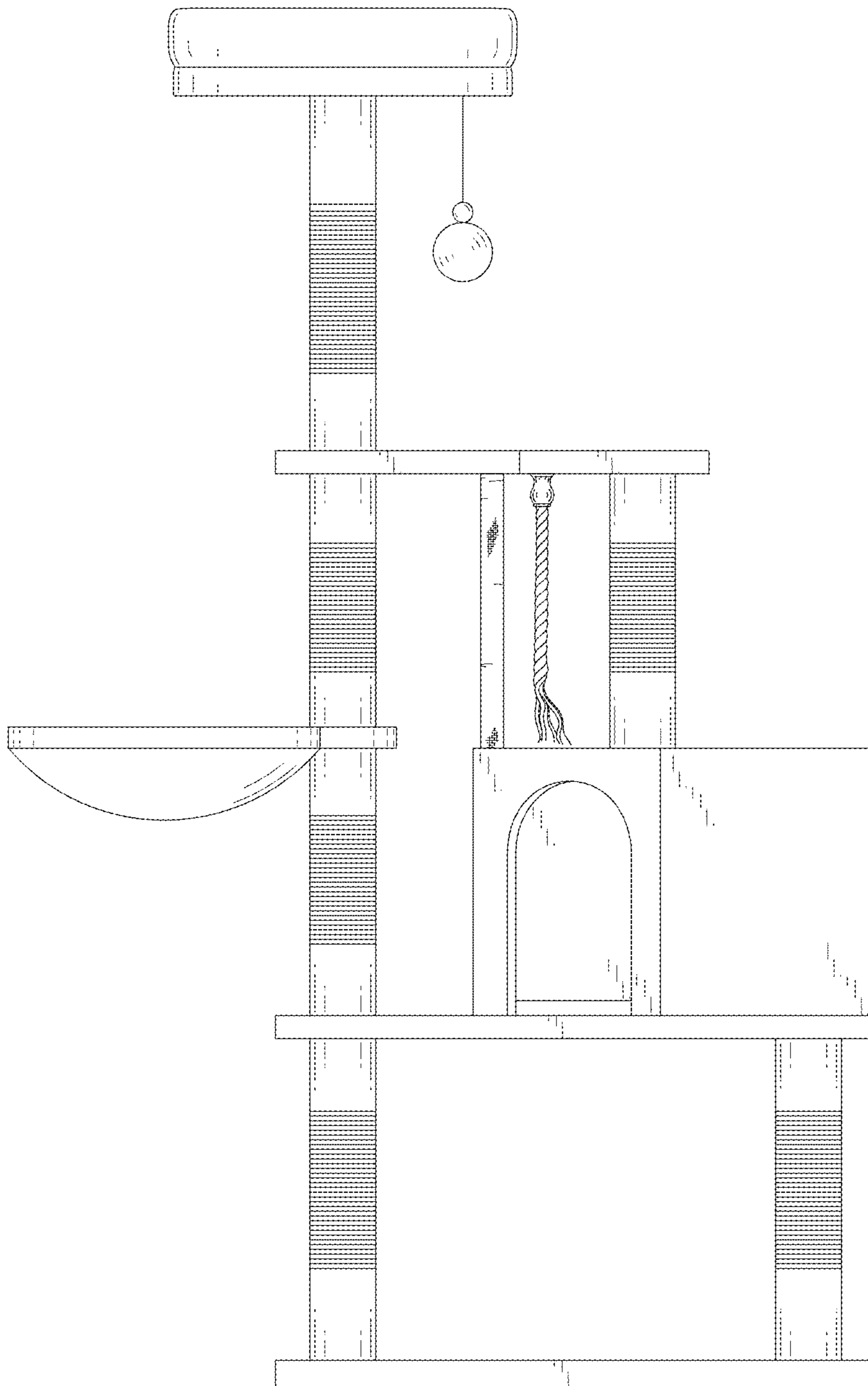


FIG. 2

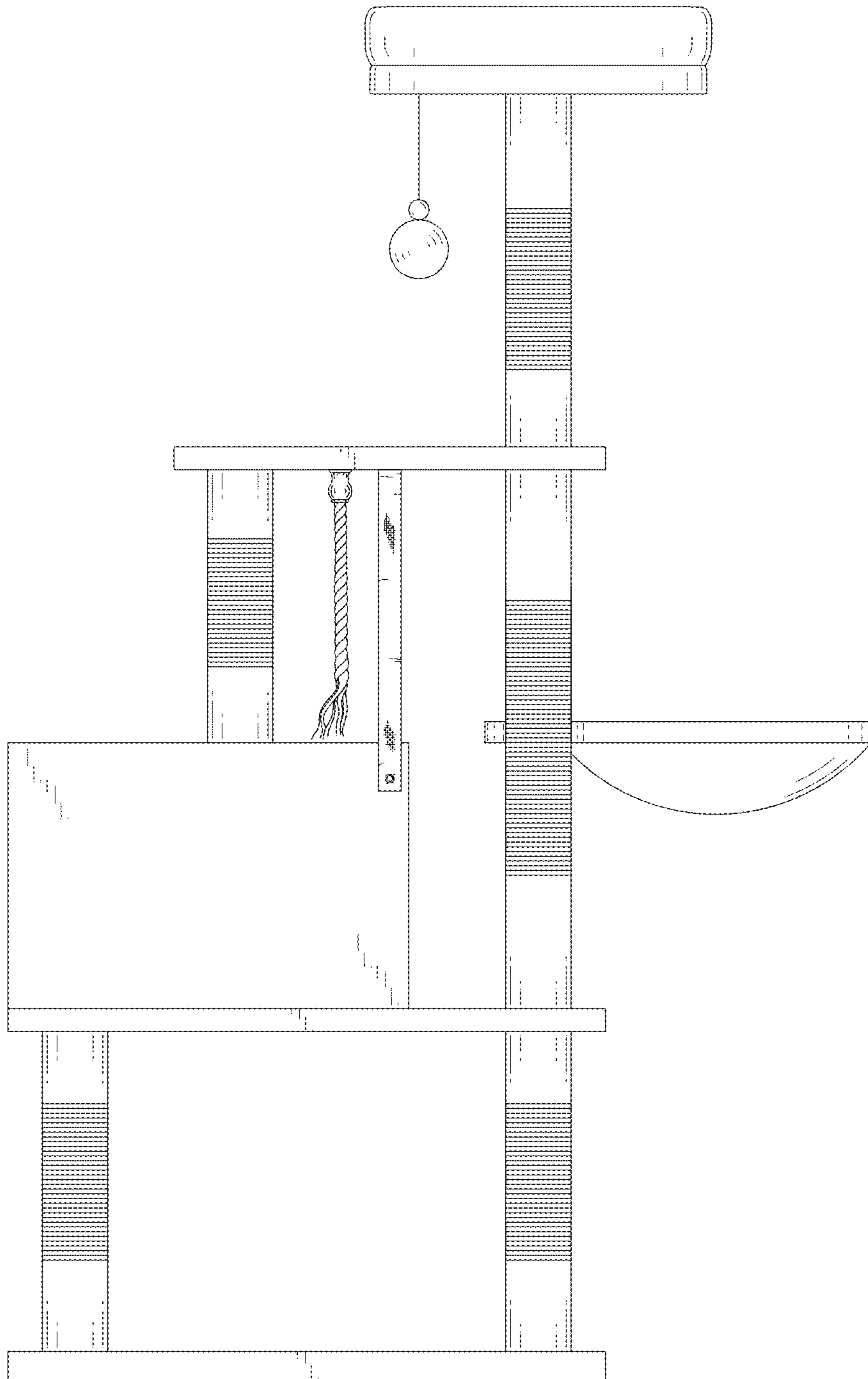


FIG. 3

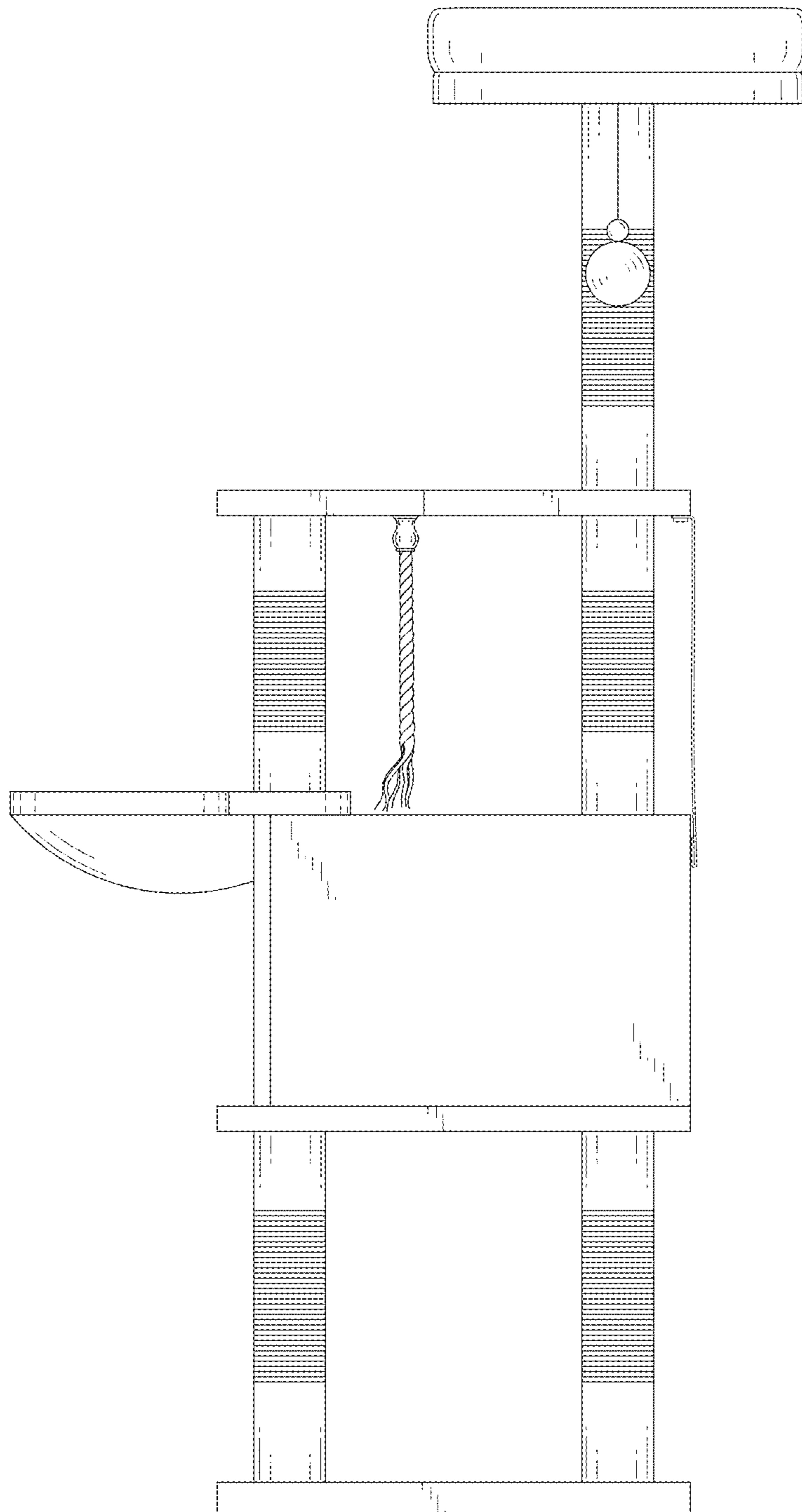
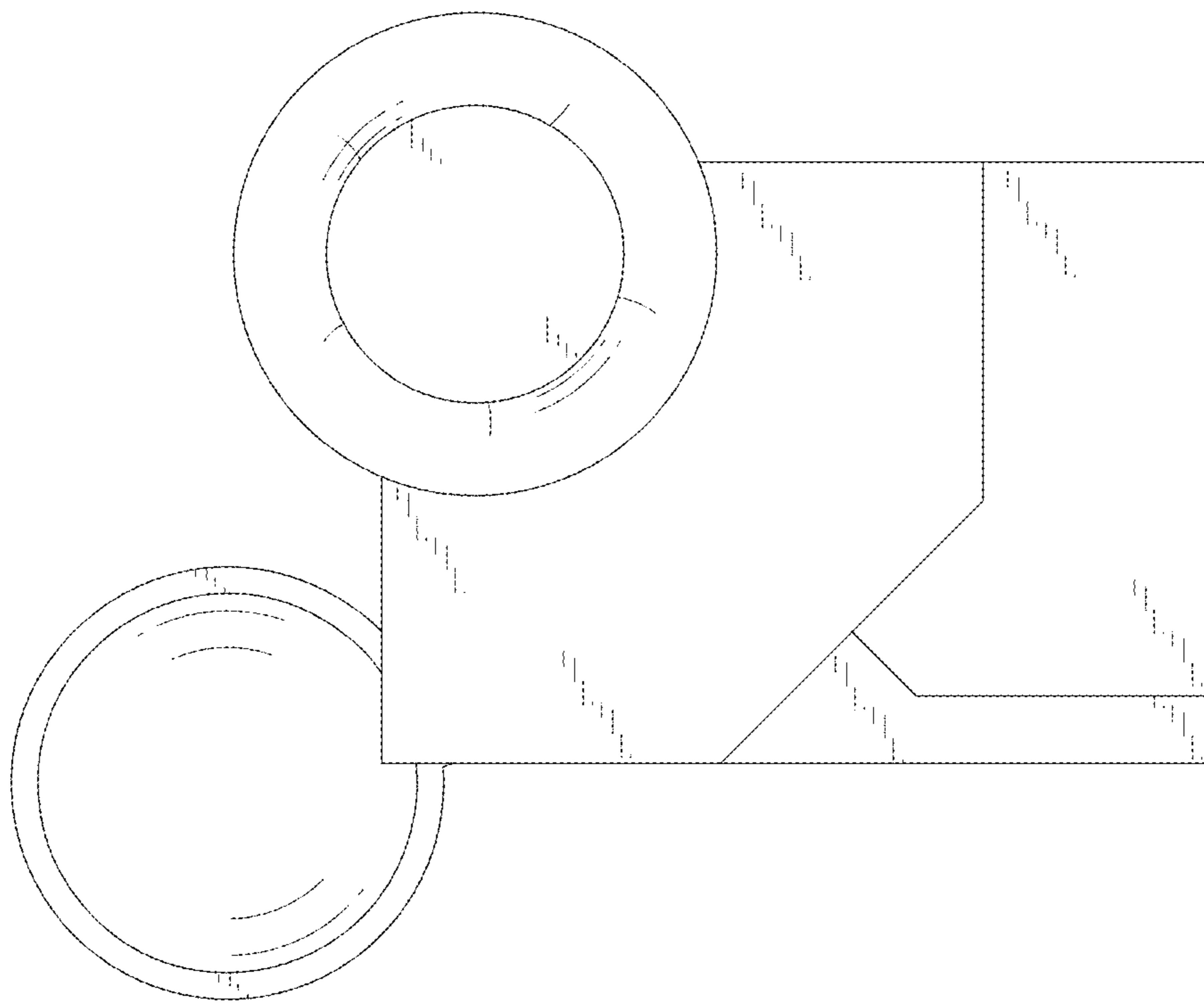


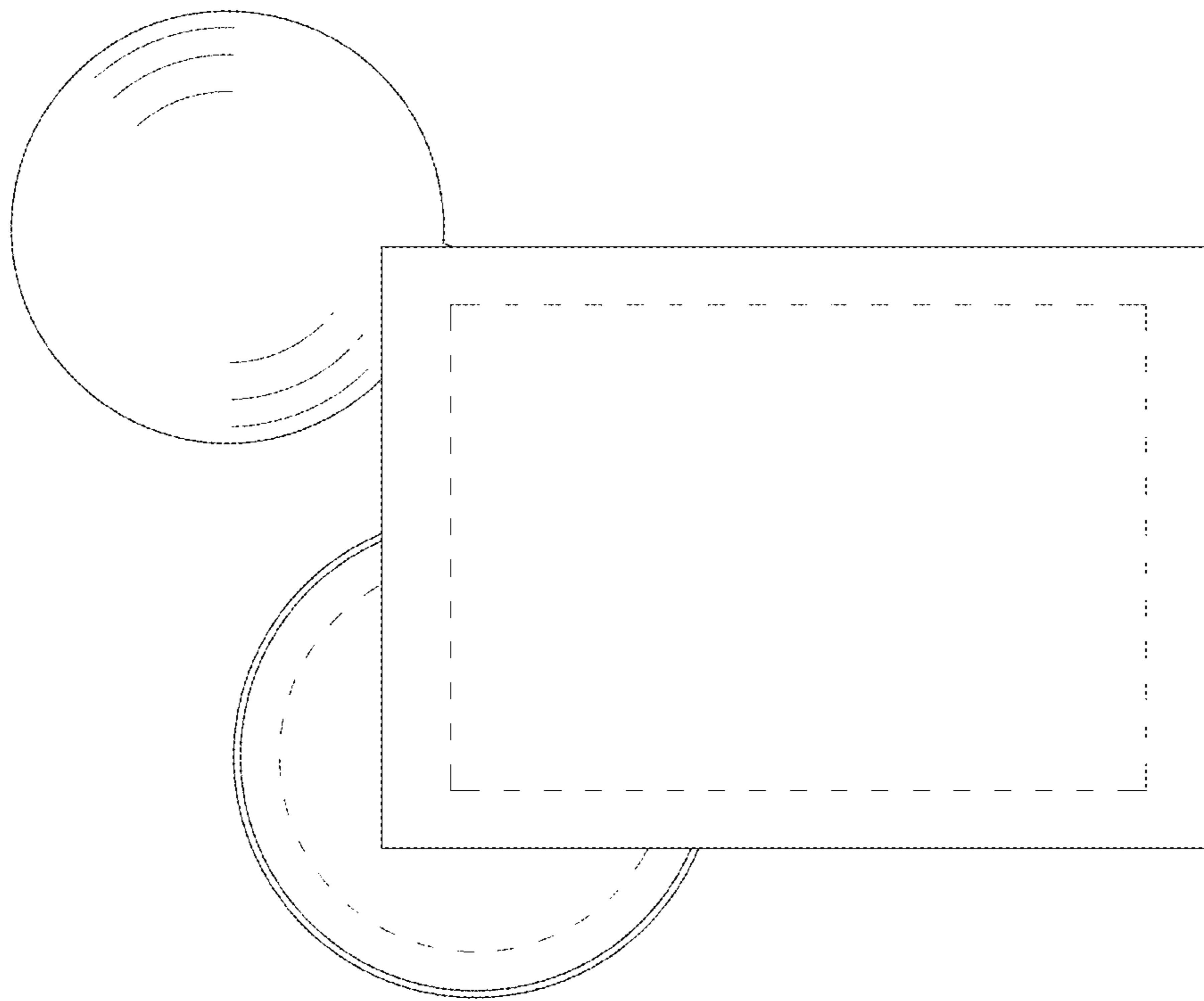
FIG. 4







*FIG. 6*



*FIG. 7*