



US00D885690S

(12) **United States Design Patent**
Han et al.

(10) **Patent No.:** **US D885,690 S**

(45) **Date of Patent:** **** May 26, 2020**

(54) **DOG HARNESS**

(71) Applicant: **Hu Han**, Xi'An (CN)

(72) Inventors: **Hu Han**, Xi'An (CN); **Bei Huang**, Shangrao (CN)

(**) Term: **15 Years**

(21) Appl. No.: **29/695,856**

(22) Filed: **Jun. 22, 2019**

(51) **LOC (12) Cl.** **30-04**

(52) **U.S. Cl.**
USPC **D30/152**

(58) **Field of Classification Search**
USPC D30/144, 145, 151, 152, 199; D24/190;
D29/101.1, 101.3, 101.5
CPC A01K 27/002
See application file for complete search history.

(56) **References Cited**

U.S. PATENT DOCUMENTS

4,442,960	A *	4/1984	Vetter	B62J 9/00 190/108
D313,677	S *	1/1991	Hammon	D30/152
D366,145	S *	1/1996	Hankins	D3/231
5,887,772	A *	3/1999	Dooley	A01K 1/0263 119/858
D429,390	S *	8/2000	Grady	D30/152
D429,391	S *	8/2000	Grady	D30/152
D480,843	S *	10/2003	Sullivan	A01K 27/002 D30/152
D585,606	S *	1/2009	Kennedy	D30/152
D653,409	S *	1/2012	Elliott	D30/152
D681,287	S	4/2013	Collignon	
D685,534	S *	7/2013	Selayandia, III	D30/145
D762,926	S	8/2016	Ets-Hokin	
D833,089	S	11/2018	Stanek	

2006/0037562	A1 *	2/2006	Woerner	A01K 27/002 119/856
2016/0015003	A1 *	1/2016	Watson	A01K 27/002 224/600
2018/0160651	A1 *	6/2018	Holt	A01K 27/008

OTHER PUBLICATIONS

“OneTigris Mammoth Canvas Dog Pack”. Found online Dec. 16, 2019 at amazon.co.uk. Page dated Oct. 19, 2018. Retrieved from https://www.amazon.co.uk/OneTigris-Canvas-Hiking-Camping-Travelling/dp/B07JFXYL17/ref=sr_1_17?keywords=onetigris+harness&qid=1576292733&sr=8-17.*

(Continued)

Primary Examiner — Kendra Leslie Hamilton

(74) *Attorney, Agent, or Firm* — HYIP

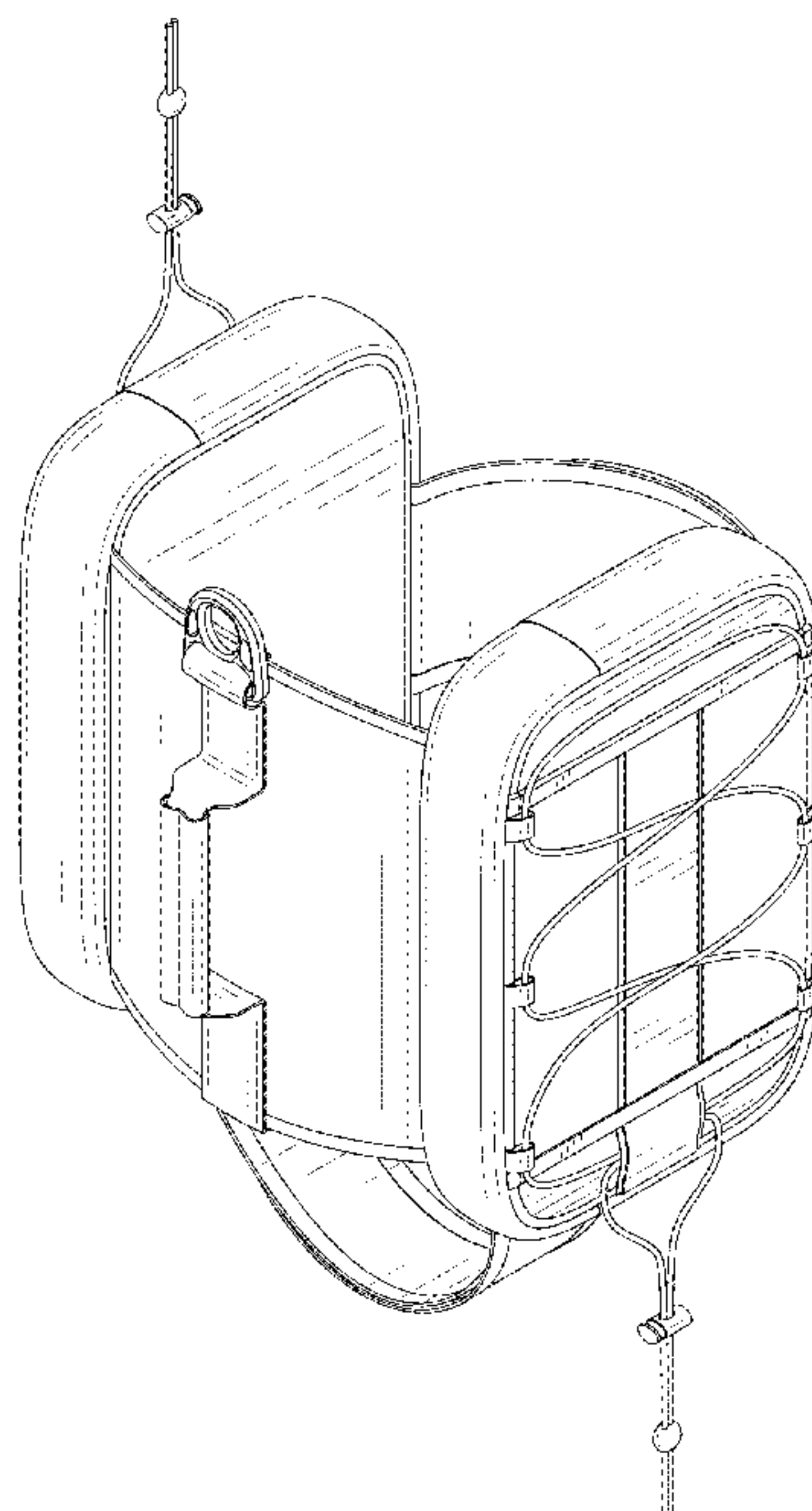
(57) **CLAIM**

The ornamental design for a dog harness, as show and described.

DESCRIPTION

FIG. 1 is a top, front, right perspective view of a dog harness, showing our new design in a first configuration for use; FIG. 2 is a bottom, rear, left perspective view thereof; FIG. 3 is a front elevation view thereof; FIG. 4 is a rear elevation view thereof; FIG. 5 is a left side elevation view thereof; FIG. 6 is a right side elevation view thereof; FIG. 7 is a top plan view thereof; FIG. 8 is a bottom plan view thereof; FIG. 9 is a top perspective view of the dog harness of FIG. 1, in an alternate configuration for clarity of disclosure; FIG. 10 is an enlarged view of detail “10” identified in FIG. 2; and, FIG. 11 is an enlarged view of detail “11” identified in FIG. 2.

1 Claim, 11 Drawing Sheets



(56)

References Cited

OTHER PUBLICATIONS

“OneTigris K9 Tactical Dog Harness”. Found online Dec. 16, 2019 at amazon.com. Page dated Nov. 21, 2018. Retrieved from https://www.amazon.com/OneTigris-Tactical-Comfortable-Adjustable-Protection/dp/B07HP3YDLK/ref=cm_cr_ar_p_d_product_top?ie=UTF8.*

“Lalawow Harness Saddle Bag”. Found online Jun. 19, 2018 at amazon.com. Page dated Apr. 24, 2015. Retrieved from https://www.amazon.com/Lalawow-Harness-Outdoor-Training-Camping/dp/B00V6388MW/ref=cm_cr_ar_p_d_product_top?ie=UTF8.*

“Karlie Multi-Function Saddle Bag”. Found online Jun. 19, 2018 at amazon.co.uk. Page dated Dec. 1, 2011. Retrieved from https://www.amazon.co.uk/Karlie-Authentic-Sport-Multi-Function-Saddle/dp/B001DZK8RG/ref=sr_1_19?s=pets-supplies&ie=UTF8&qid=1529431048&sr=1-19&keywords=saddle+bag.*

* cited by examiner

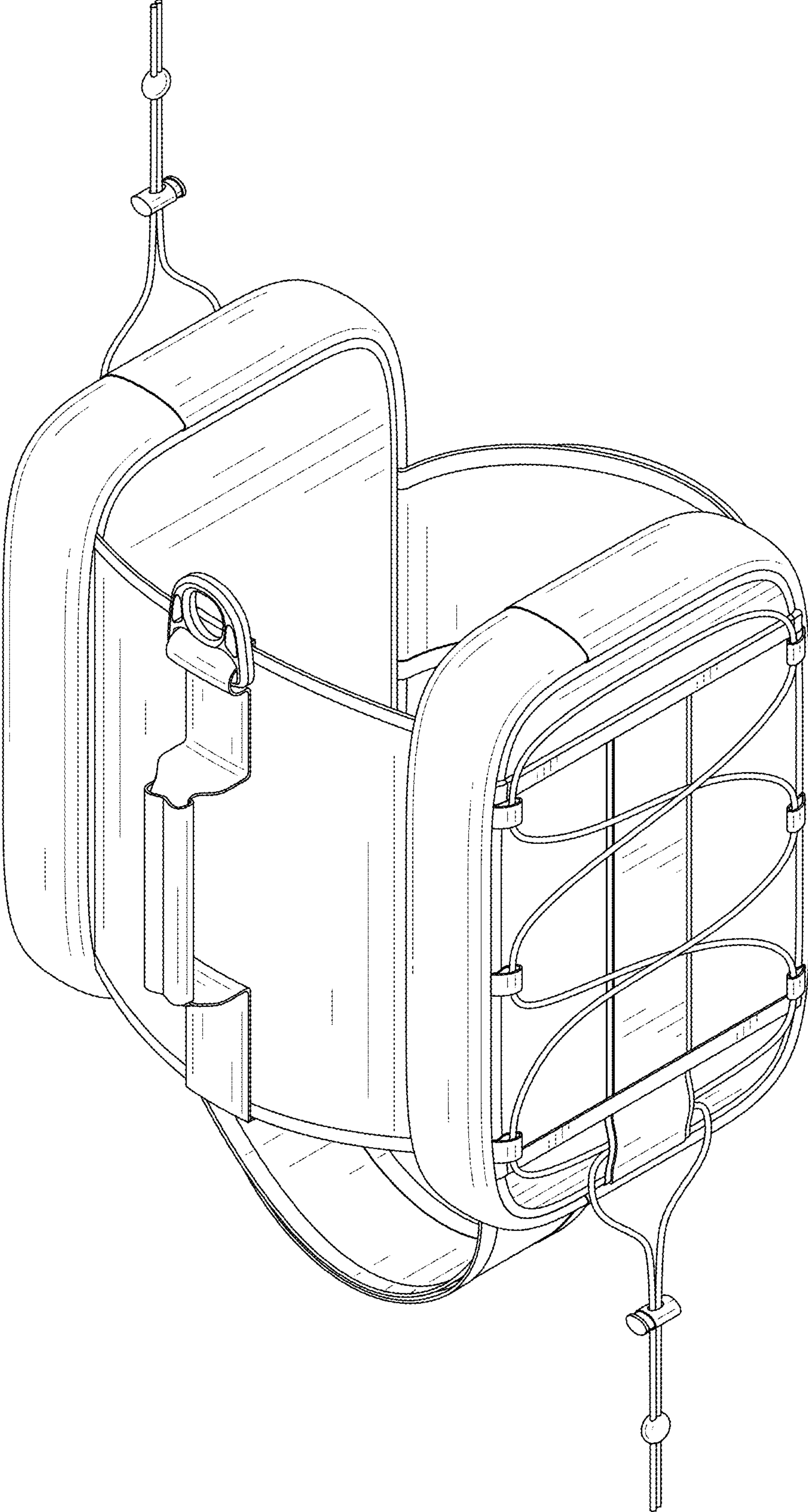


FIG. 1

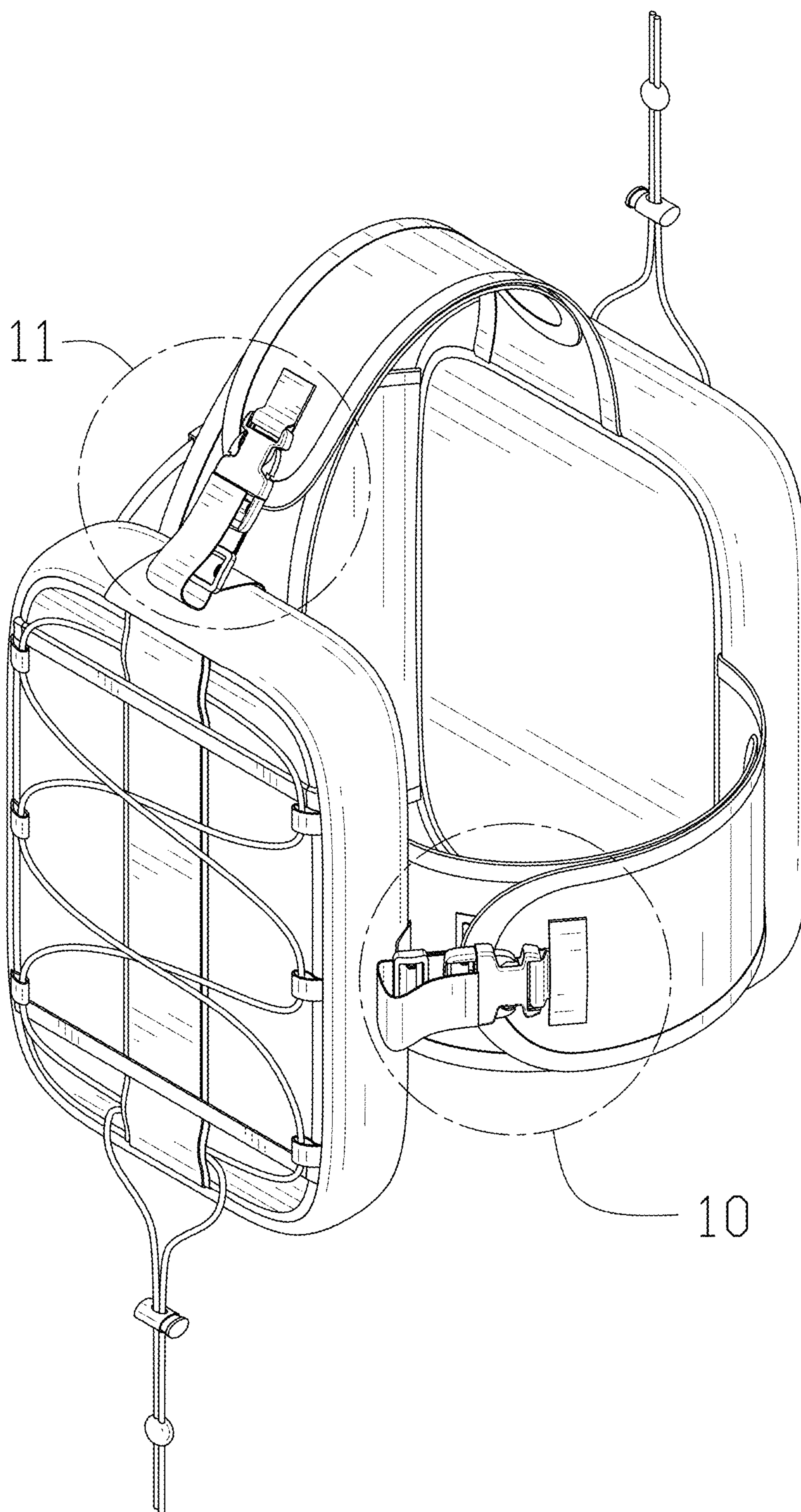


FIG. 2

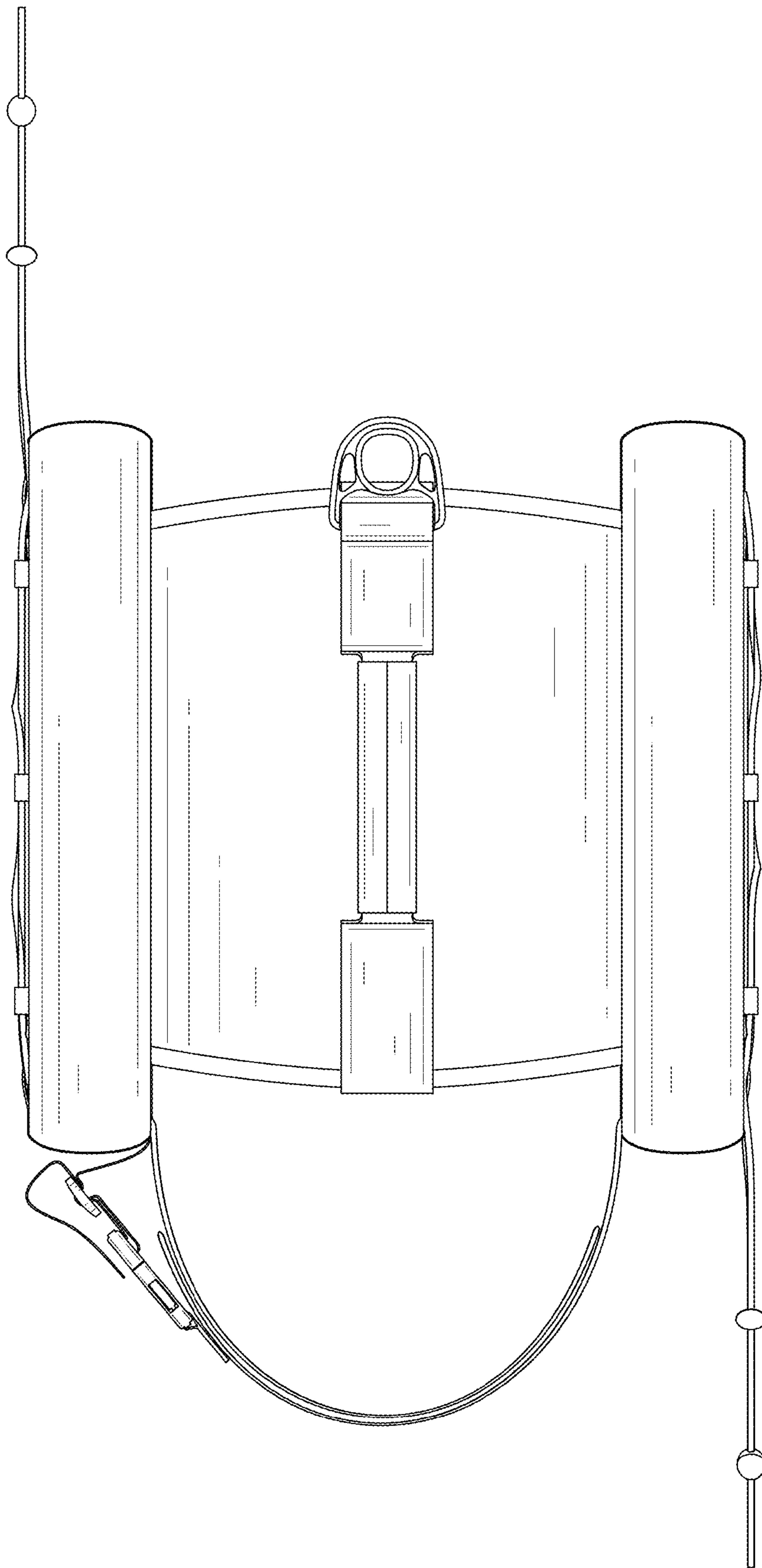


FIG. 3

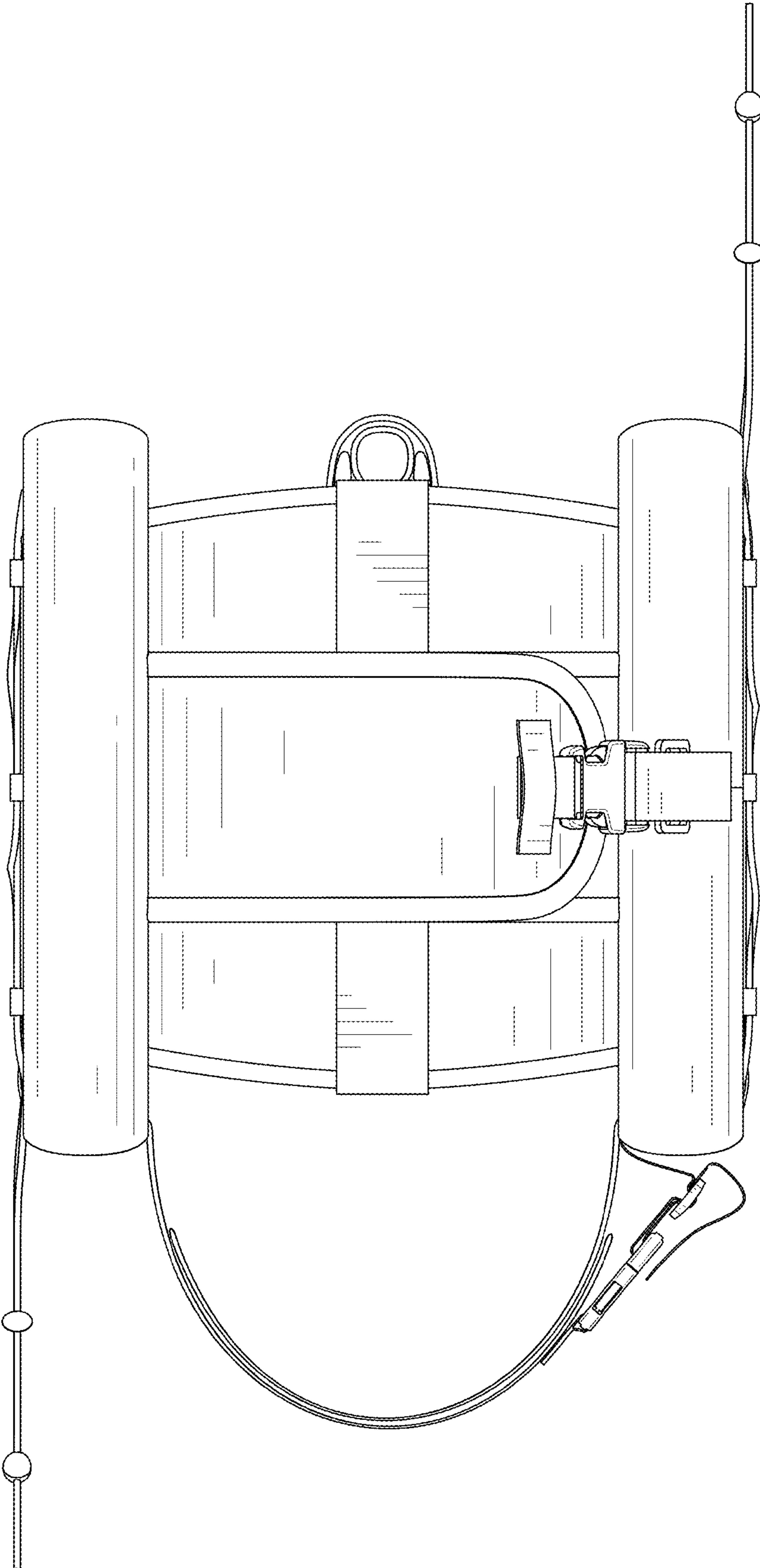


FIG. 4

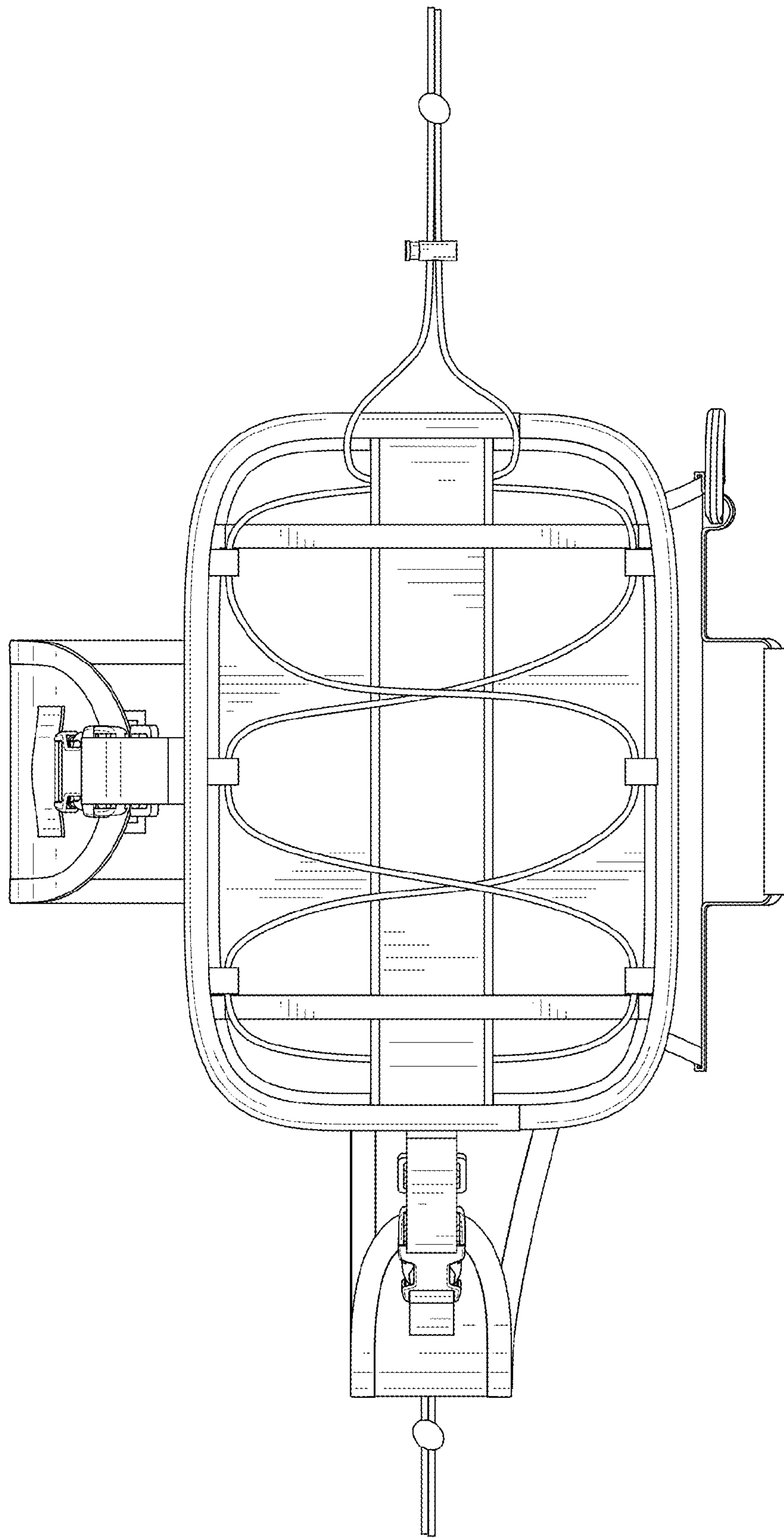


FIG. 5

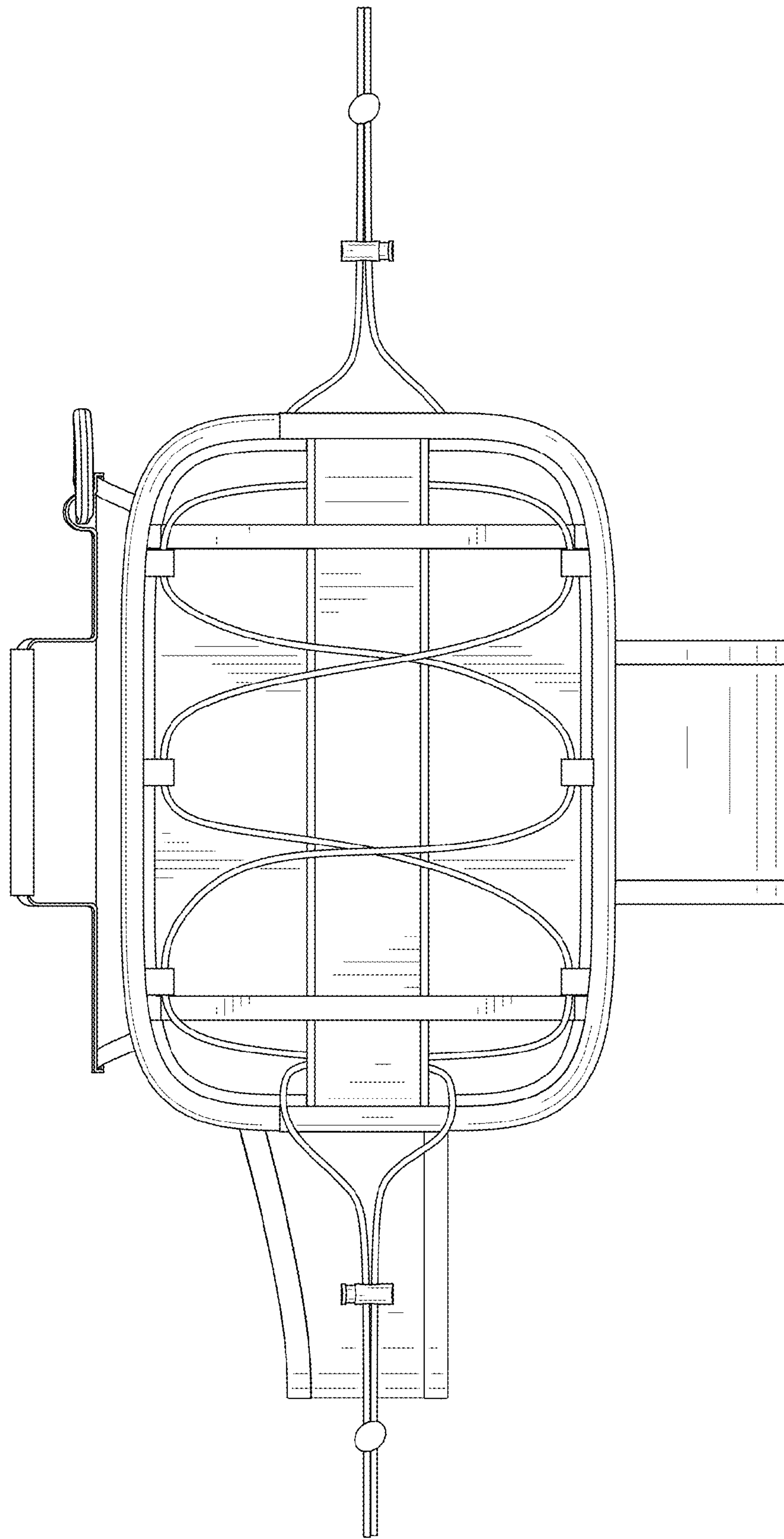


FIG. 6

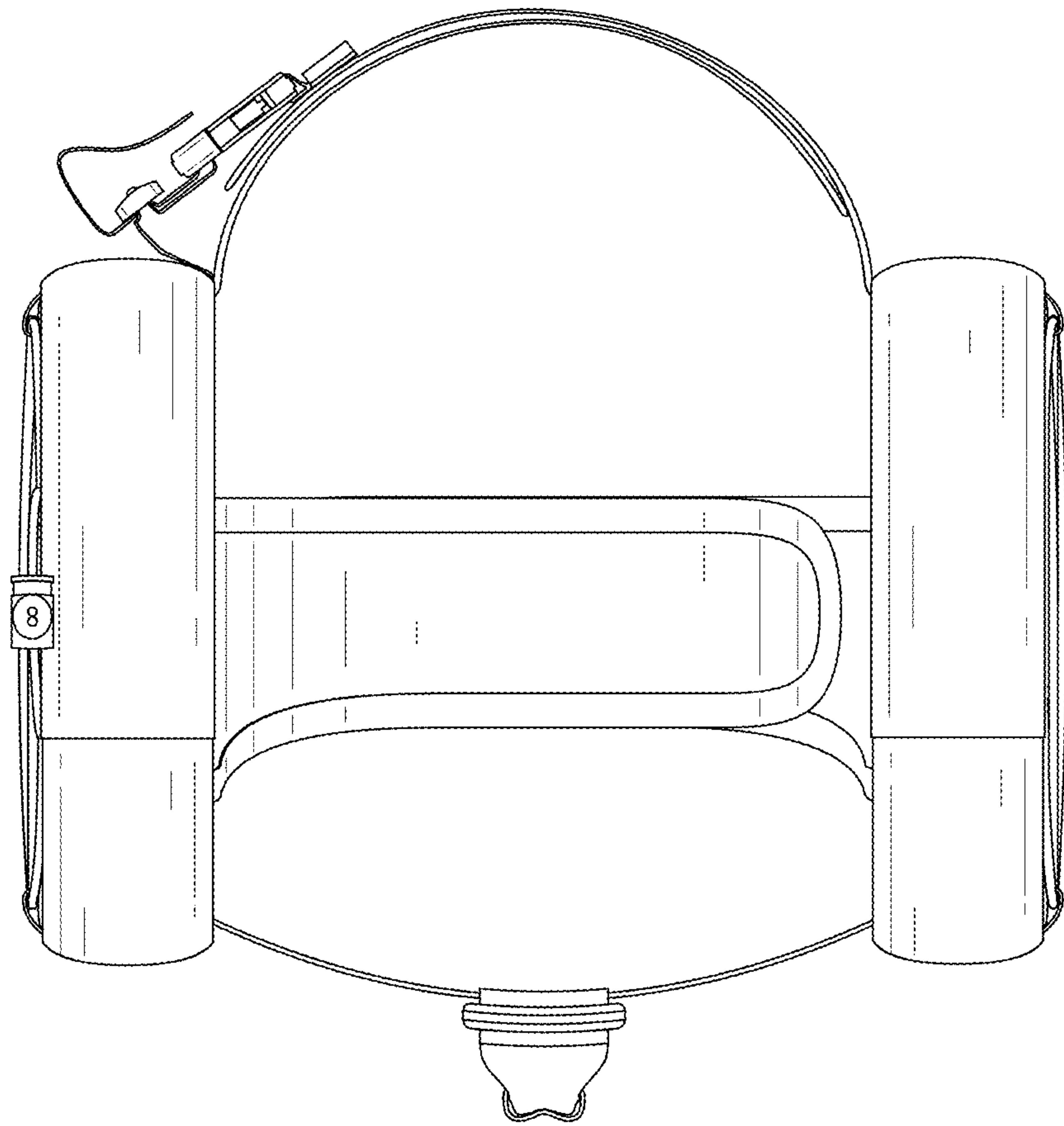


FIG. 7

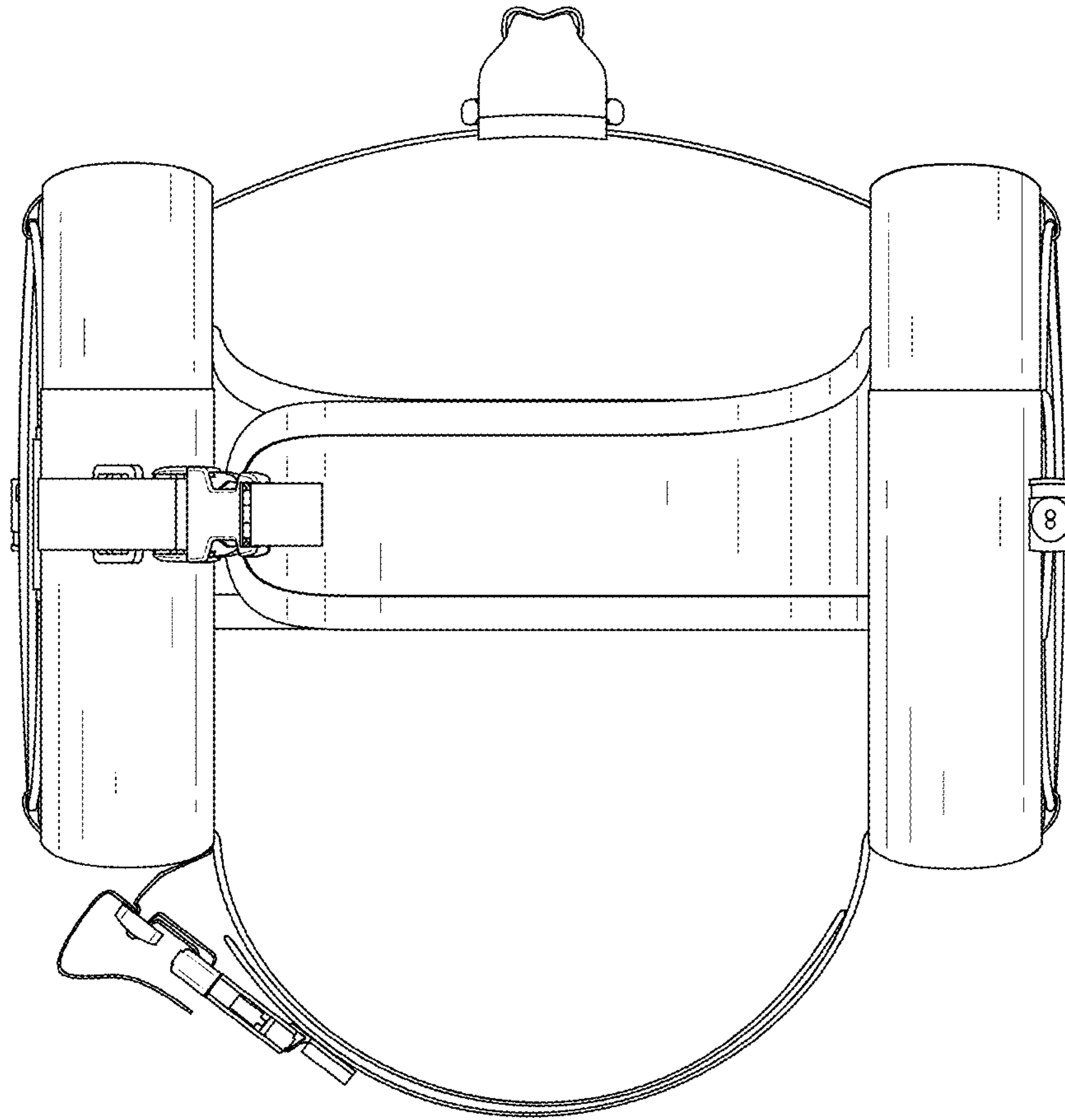


FIG. 8

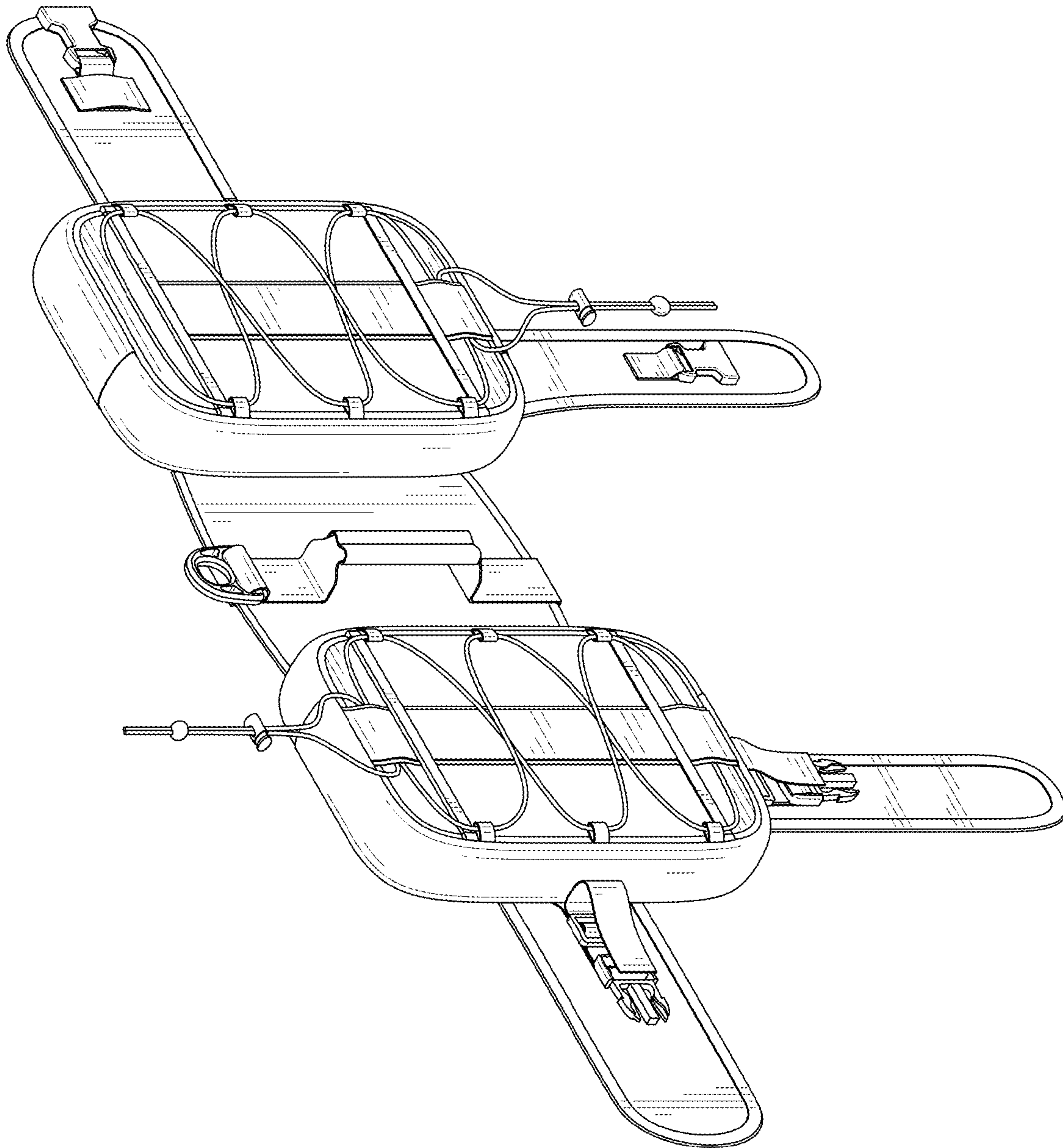


FIG. 9

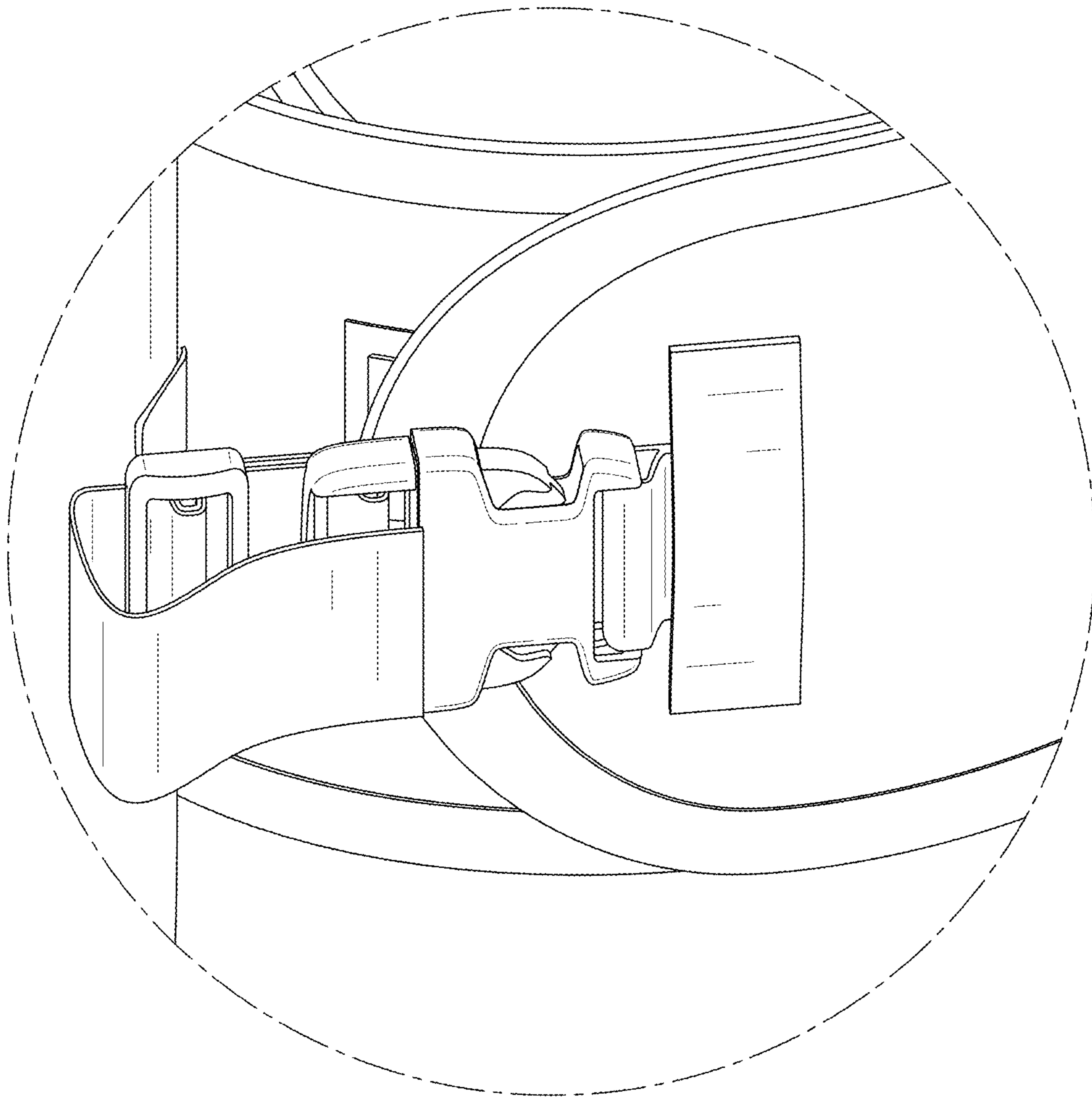


FIG. 10

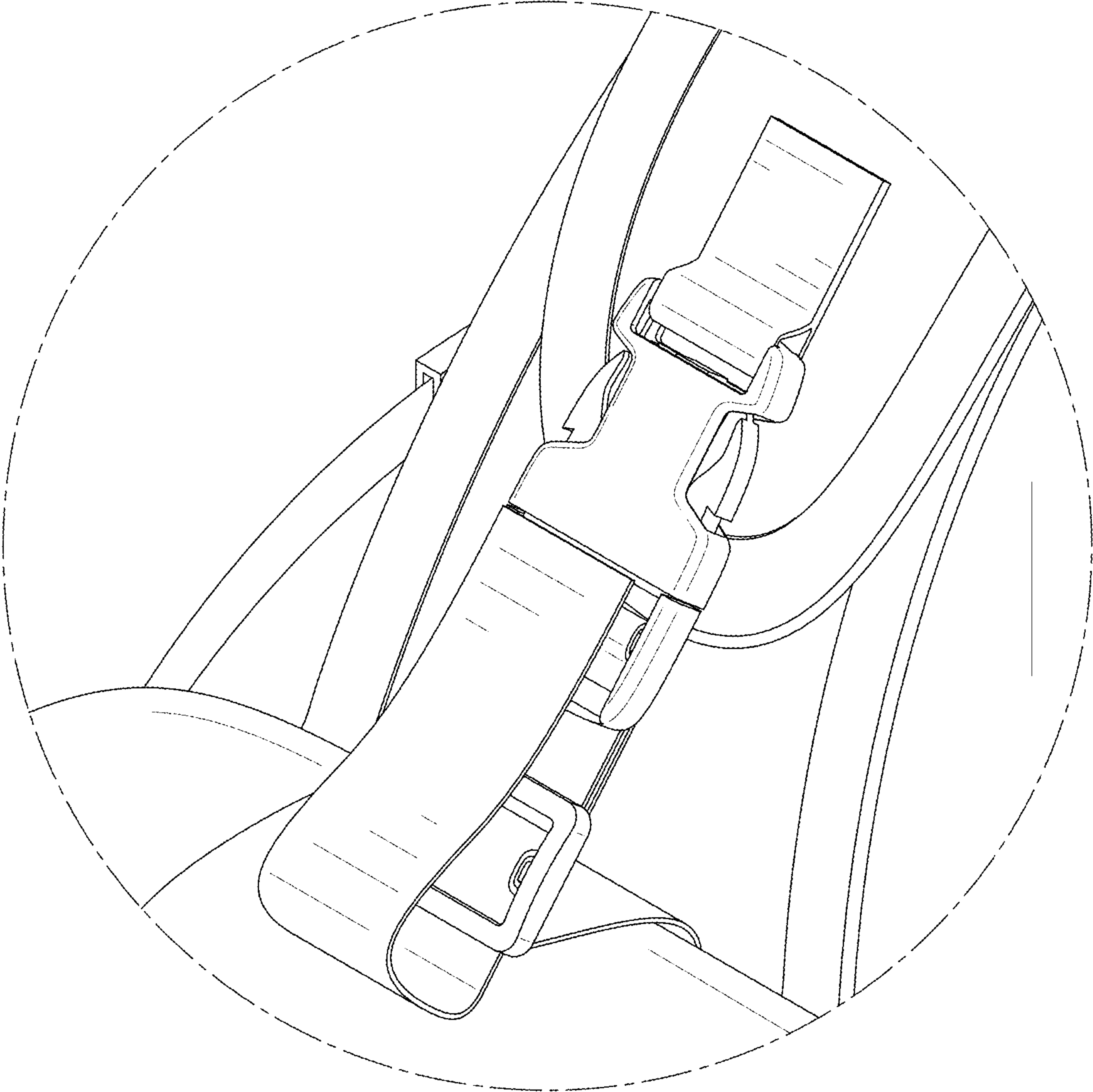


FIG. 11