



US00D885689S

(12) **United States Design Patent**  
**Xu**

(10) **Patent No.:** **US D885,689 S**

(45) **Date of Patent:** **\*\* May 26, 2020**

(54) **PET HARNESS**

(71) Applicant: **Guangzhou Qianqian Pet Products Co., Ltd., Guangzhou (CN)**

(72) Inventor: **Quan Xu, Zhongxiang (CN)**

(\*\*) Term: **15 Years**

(21) Appl. No.: **29/653,282**

(22) Filed: **Jun. 13, 2018**

(51) **LOC (12) Cl.** ..... **30-04**

(52) **U.S. Cl.**  
USPC ..... **D30/152**

(58) **Field of Classification Search**  
USPC ..... D30/144, 145, 151–154, 199  
CPC ..... A01K 27/002; A01K 1/0263  
See application file for complete search history.

(56) **References Cited**

**U.S. PATENT DOCUMENTS**

D384,780 S *	10/1997	McLaughlin	.....	D30/152
6,443,101 B1 *	9/2002	Fazio	.....	A01K 27/002
				119/792
D507,084 S *	7/2005	Sabeh-Azar	.....	D30/144
D585,606 S *	1/2009	Kennedy	.....	D30/144
7,757,641 B1 *	7/2010	Worden	.....	A01K 27/002
				119/792
D621,561 S *	8/2010	Siklosi	.....	D30/151
D681,287 S *	4/2013	Collignon	.....	D30/144
D749,800 S *	2/2016	Zimmermann	.....	D30/153
D753,350 S *	4/2016	Thitz	.....	D30/144
D793,631 S *	8/2017	Speed	.....	D30/145
D805,261 S *	12/2017	Yun	.....	D30/152
D816,919 S *	5/2018	Drinkwater	.....	D30/152
D816,920 S *	5/2018	Drinkwater	.....	D30/152
D833,089 S *	11/2018	Stanek	.....	D30/152
D833,688 S *	11/2018	Stouder	.....	D30/152

D862,002 S *	10/2019	Wu	.....	D30/152
D862,803 S *	10/2019	Yun	.....	D30/152
D866,876 S *	11/2019	Smith	.....	D30/145
D867,686 S *	11/2019	Yun	.....	D30/152
2016/0007570 A1 *	1/2016	Stout	.....	A01K 27/002
				119/856
2019/0124890 A1 *	5/2019	Kath	.....	A01K 1/0263

**OTHER PUBLICATIONS**

“YouTube—QQPETS advertising video.” Found online Jan. 16, 2020 at [www.youtube.com](http://www.youtube.com). Video published Mar. 11, 2018. Retrieved from URL: <https://www.youtube.com/watch?v=yggBblh2c> (Year: 2018).\*

“QQPETS Dog Harness.” Found online Oct. 16, 2020 at [www.amazon.com](http://www.amazon.com). Product reviewed Aug. 14, 2018. Retrieved from URL: <https://www.amazon.com/QQPETS-Harness-Adjustable-Breathable-Reflective/dp/B07D2DDFMK?th=1> (Year: 2018).\*

(Continued)

*Primary Examiner* — Mary Ann Calabrese

*Assistant Examiner* — Katelin G Kloberg

(74) *Attorney, Agent, or Firm* — Erson IP (Nelson IP)

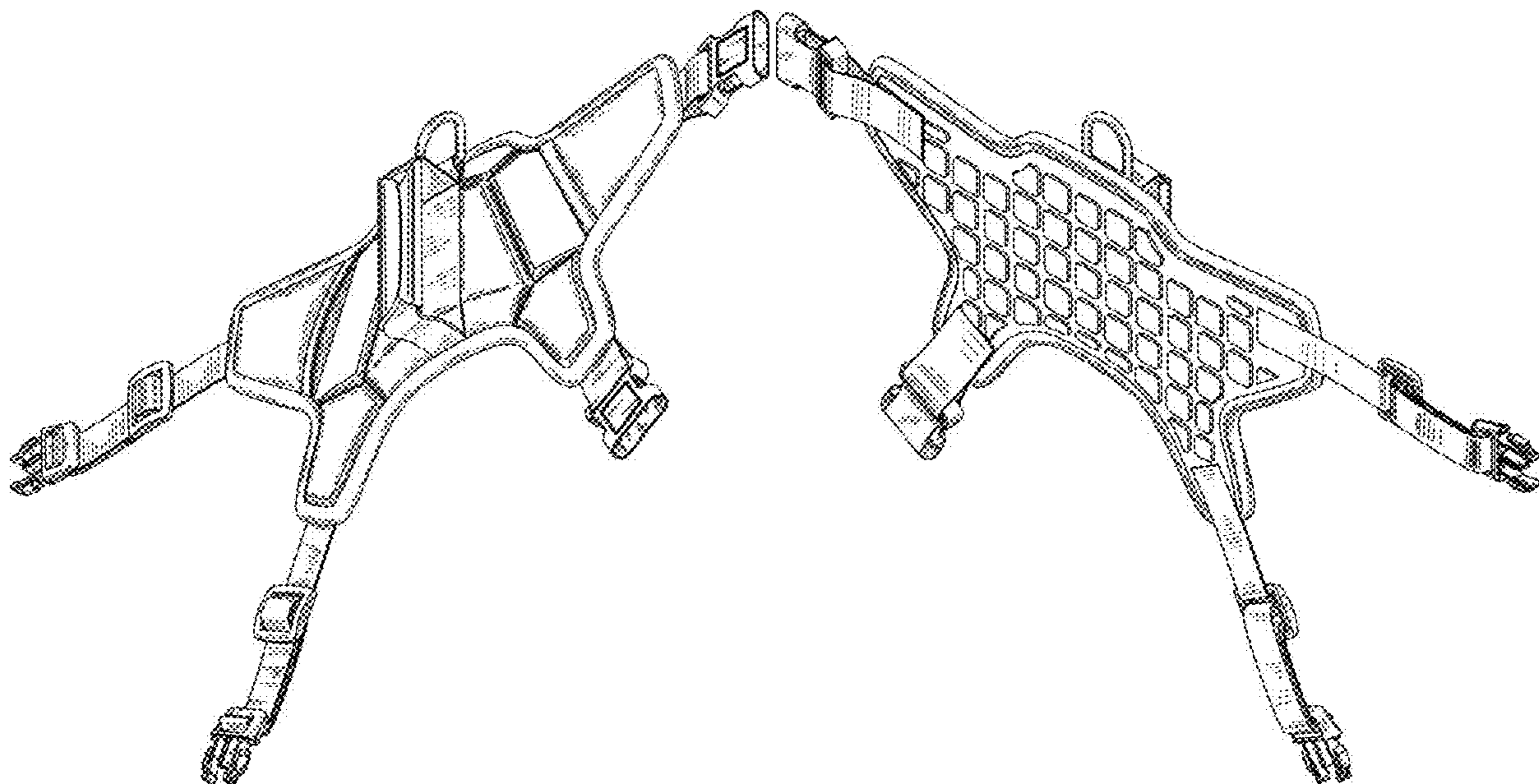
(57) **CLAIM**

The ornamental design for a pet harness, as shown and described.

**DESCRIPTION**

FIG. 1 is a bottom, front, right side perspective view of a pet harness, showing my new design;  
FIG. 2 is a top, rear, left side perspective view thereof;  
FIG. 3 is a front view thereof;  
FIG. 4 is a rear view thereof;  
FIG. 5 is a left side view thereof;  
FIG. 6 is a right side view thereof;  
FIG. 7 is a top plan view thereof; and,  
FIG. 8 is a bottom plan view thereof.

**1 Claim, 8 Drawing Sheets**



(56)

**References Cited**

OTHER PUBLICATIONS

“Twitter—QQpets Dog Massage Harness.” Found online Jan. 16, 2020 at [www.twitter.com](http://www.twitter.com). Image dated Jun. 27, 2018. Retrieved from URL: <https://twitter.com/qqpetsdogcollar/status/1011876008411082752> (Year: 2018).\*

“Weetall Massage Dog Harness Vest.” Found online Jan. 16, 2020 at [www.amazon.com](http://www.amazon.com). Product reviewed Jul. 16, 2018. Retrieved from URL: [https://www.amazon.com/dp/b07dfnwlv3?&tag=admarketus-20&ref=pd\\_sl\\_a215B9E64B77638E40FC78C4C6](https://www.amazon.com/dp/b07dfnwlv3?&tag=admarketus-20&ref=pd_sl_a215B9E64B77638E40FC78C4C6) (Year: 2018).\*

\* cited by examiner

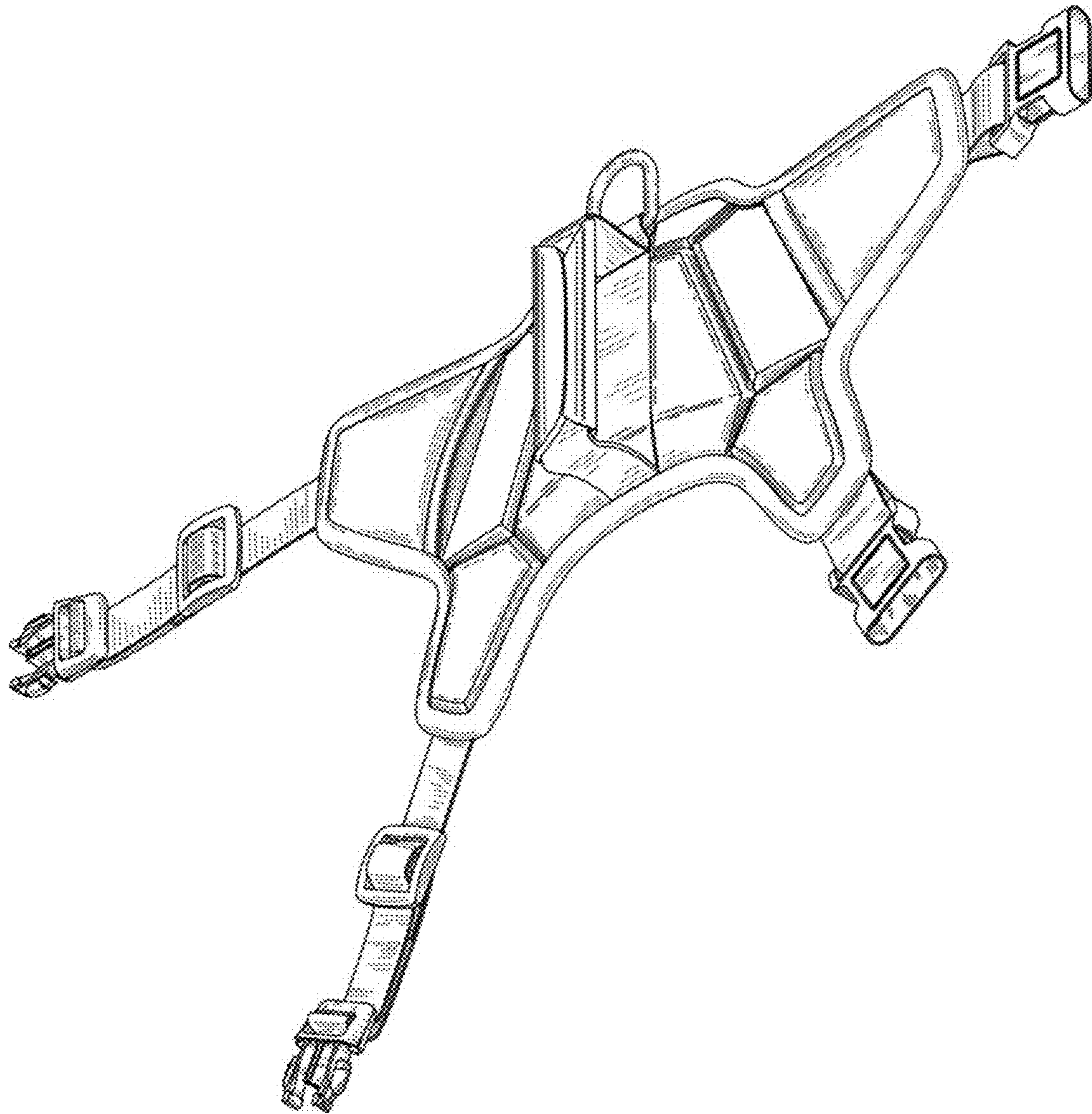


Fig. 1

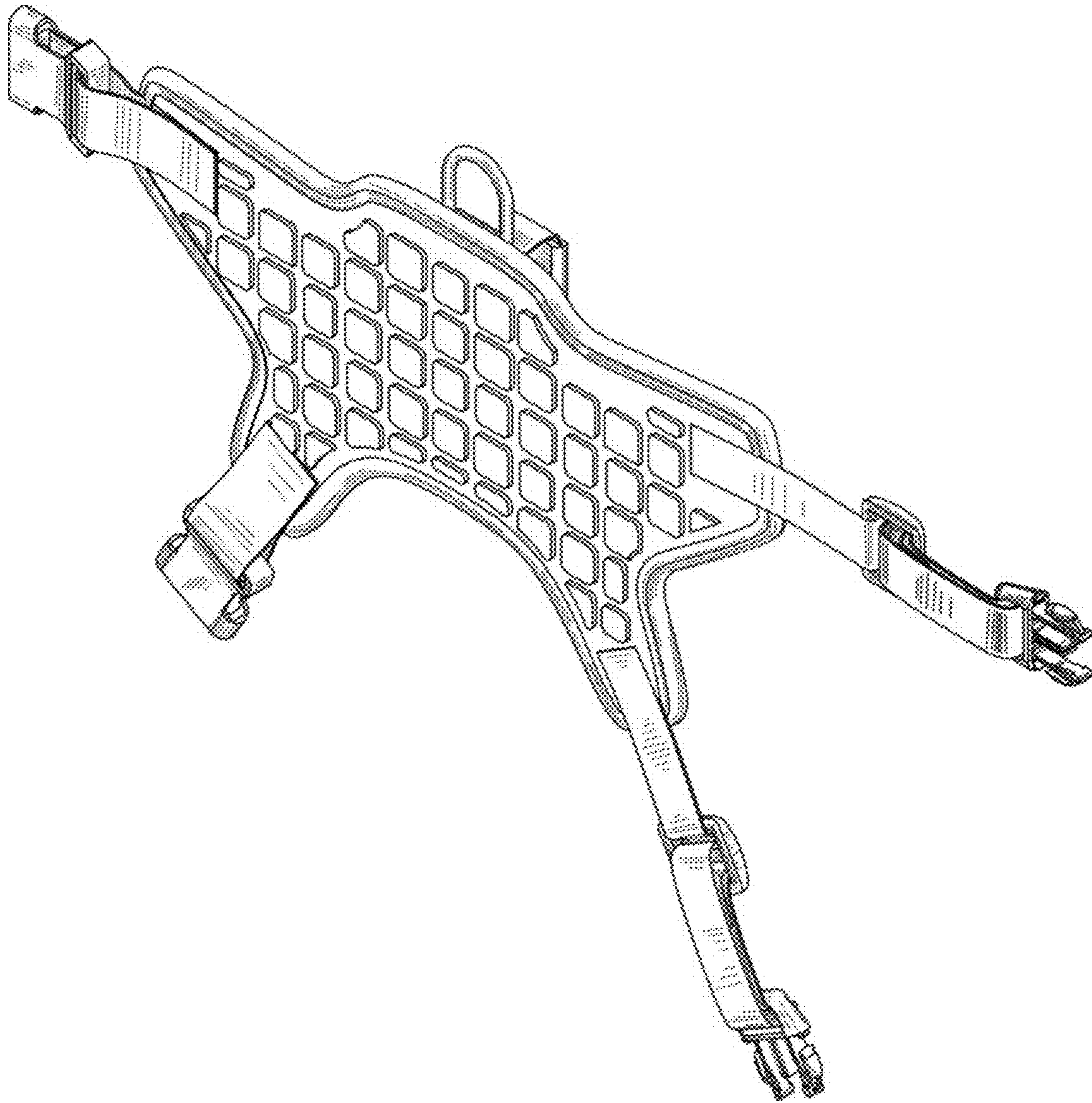


Fig. 2

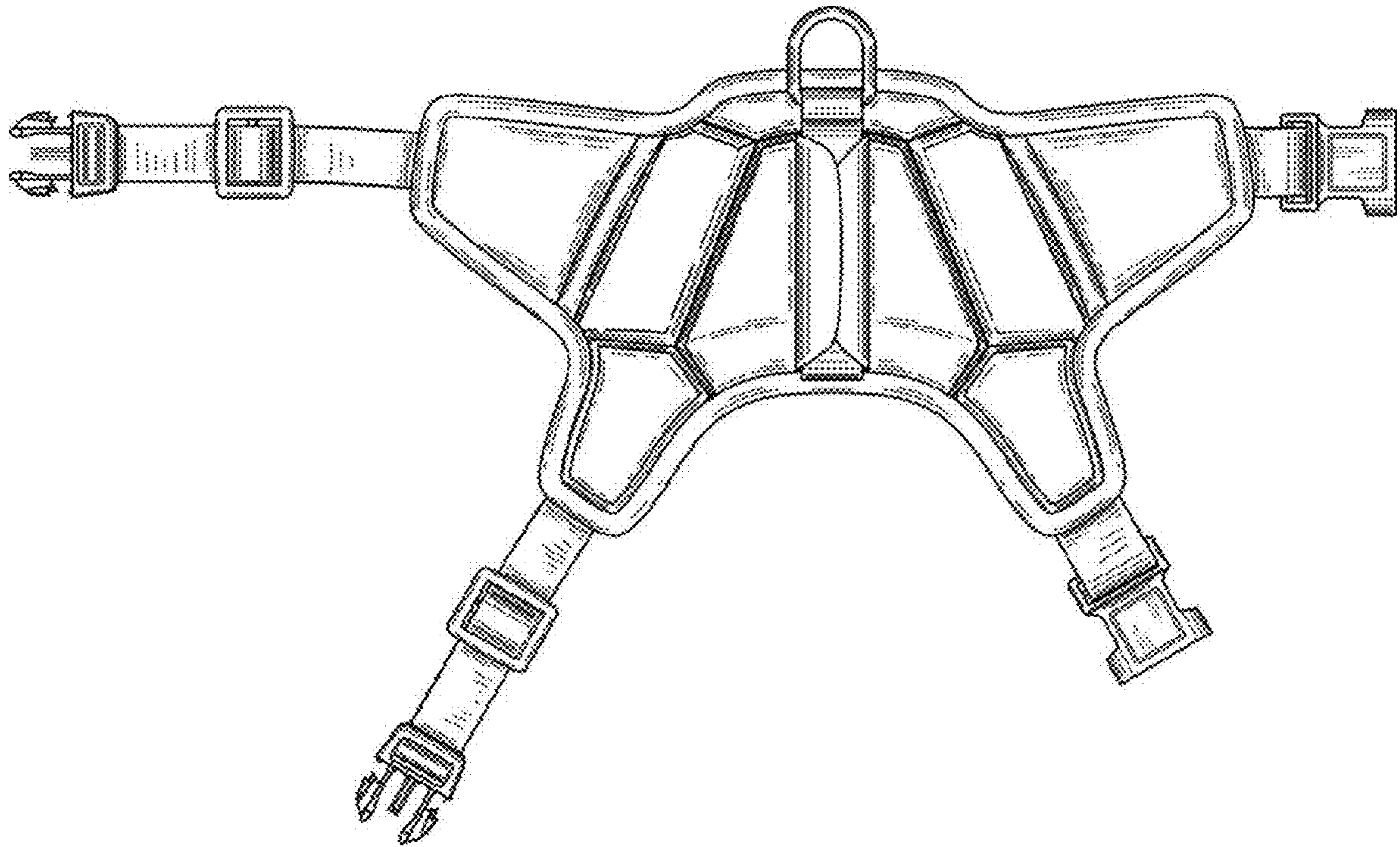


Fig. 3

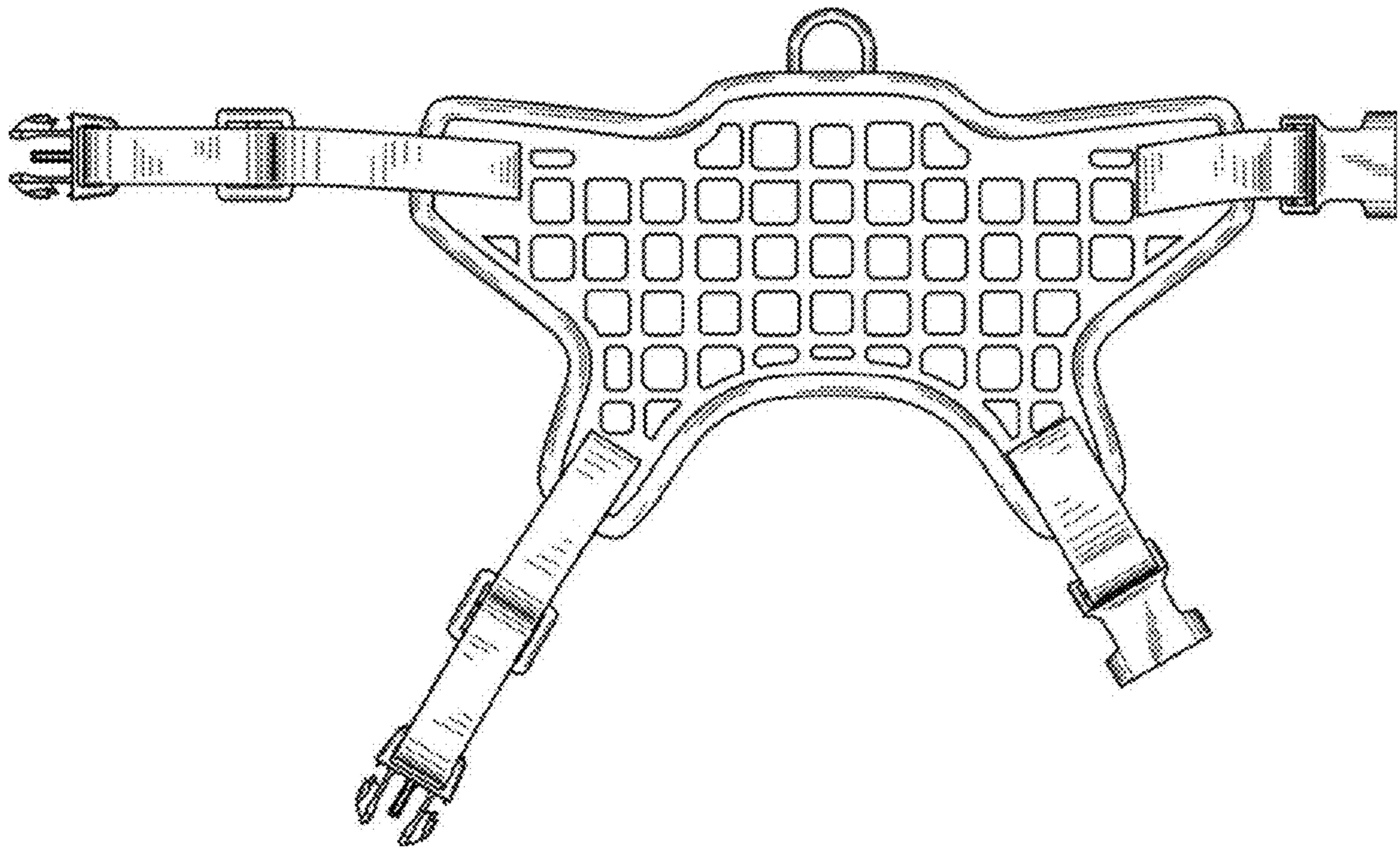


Fig. 4

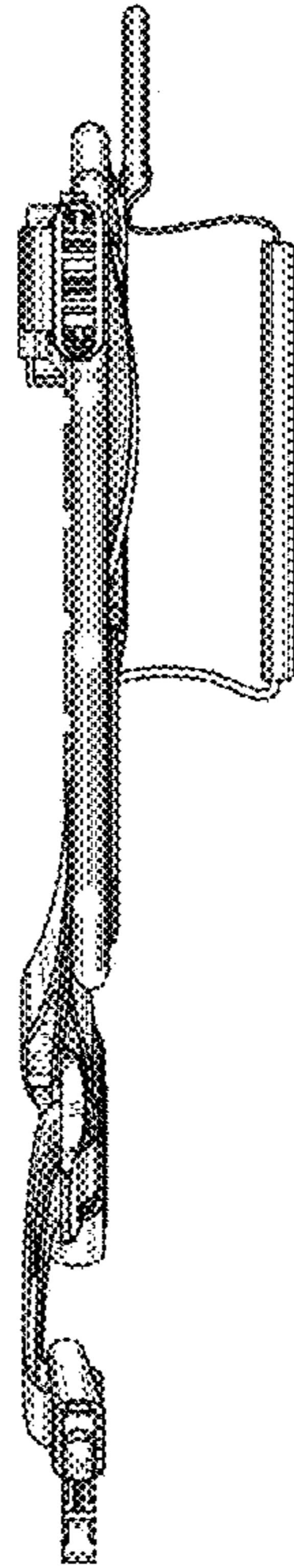


Fig. 5

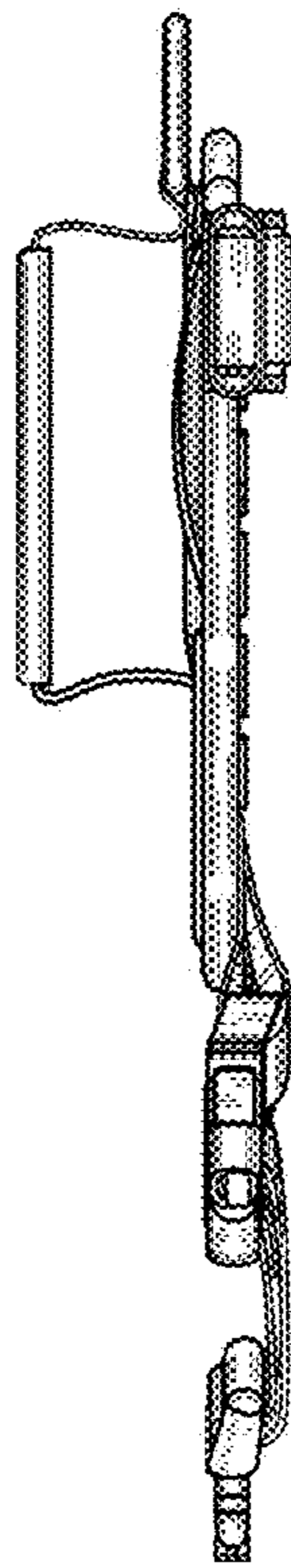


Fig. 6



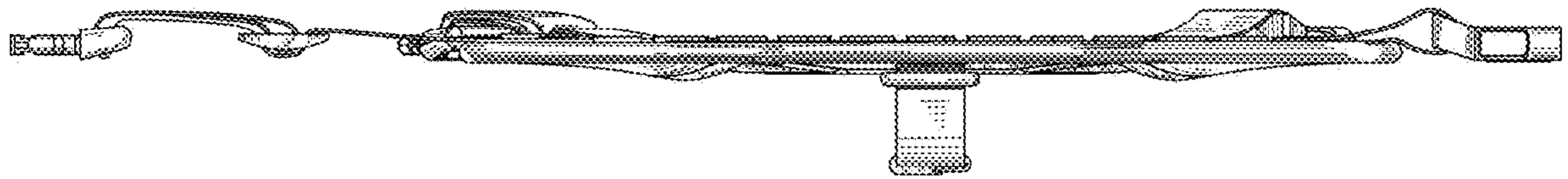


Fig. 7

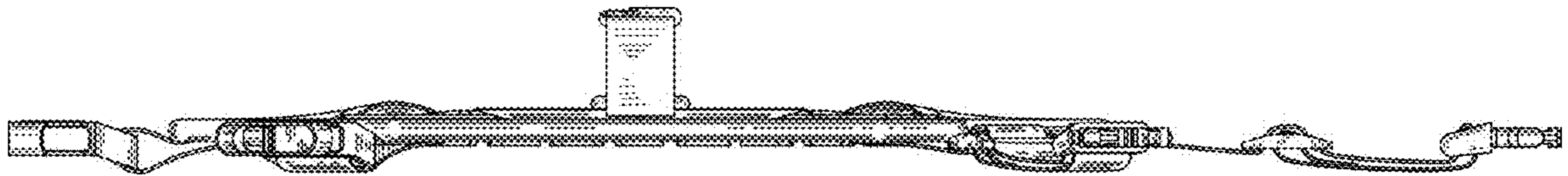


Fig. 8