



US00D885688S

(12) **United States Design Patent**  
**Pan**

(10) **Patent No.:** **US D885,688 S**

(45) **Date of Patent:** **\*\* May 26, 2020**

(54) **PET LIFE JACKET**

(71) Applicant: **Min Pan**, Hangzhou (CN)

(72) Inventor: **Min Pan**, Hangzhou (CN)

(\*\*) Term: **15 Years**

(21) Appl. No.: **29/657,060**

(22) Filed: **Jul. 18, 2018**

(51) **LOC (12) Cl.** ..... **30-01**

(52) **U.S. Cl.**  
USPC ..... **D30/145**

(58) **Field of Classification Search**  
USPC ..... D2/718, 719, 860, 864, 896, 909, 919;  
D21/604, 605; D24/124, 190; D30/144,  
D30/145, 146, 151, 161, 199  
See application file for complete search history.

(56) **References Cited**

**U.S. PATENT DOCUMENTS**

- 4,385,592 A \* 5/1983 Goldstein ..... A01K 15/04  
119/815
- 4,871,338 A 10/1989 Hoffman
- D313,676 S \* 1/1991 Indursky ..... D30/145
- 5,193,486 A \* 3/1993 Kitchens ..... A01K 1/0263  
119/712
- D363,572 S 10/1995 Obenchain
- D383,255 S \* 9/1997 Caditz ..... D30/145

(Continued)

**FOREIGN PATENT DOCUMENTS**

- CA 108744 10/2004
- EM 002431189 3/2014

(Continued)

**OTHER PUBLICATIONS**

“Vivaglory Neoprene Dog Life Jacket.” Found online Sep. 25, 2019 at [www.amazon.com](http://www.amazon.com). Product reviewed May 9, 2018. Retrieved

from URL: <https://www.amazon.com/Vivaglory-Neoprene-Reflective-Skin-Friendly-Superior/dp/B076J5CZ7T> (Year: 2018).\*

(Continued)

*Primary Examiner* — Mary Ann Calabrese

*Assistant Examiner* — Katelin G Kloberg

(74) *Attorney, Agent, or Firm* — Fogarty LLP

(57) **CLAIM**

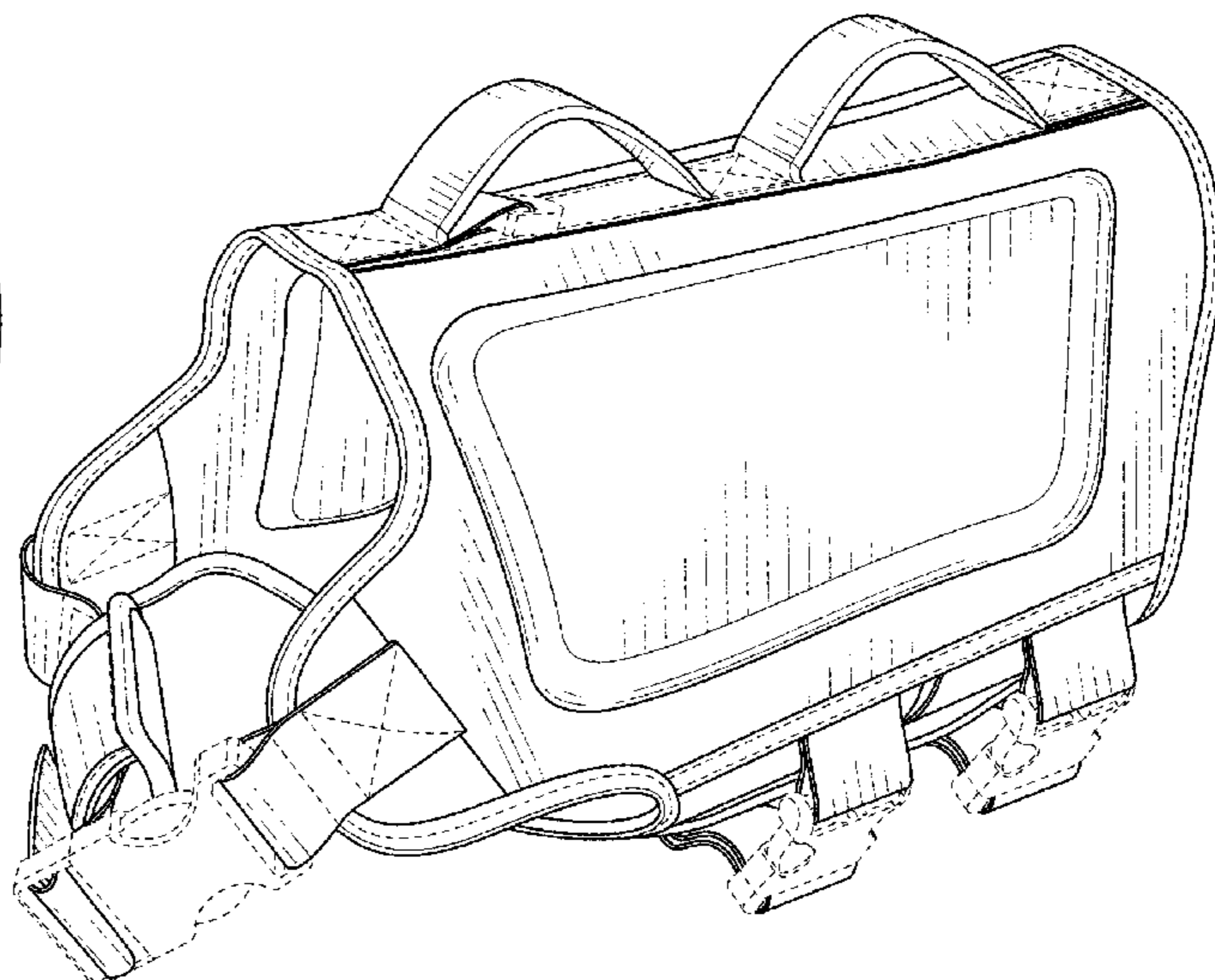
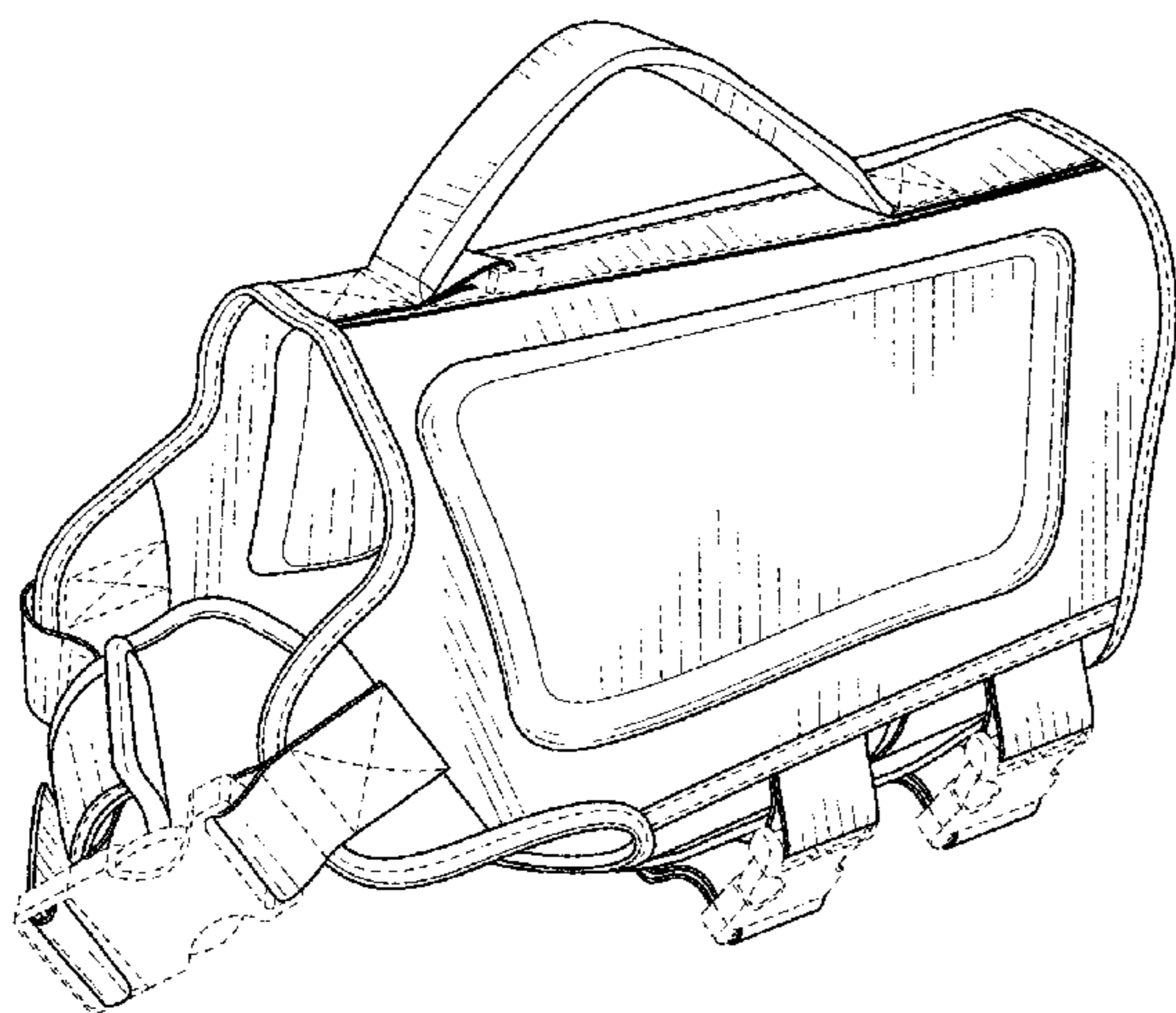
The ornamental design for a pet life jacket, as shown and described.

**DESCRIPTION**

FIG. 1 is a perspective view of a pet life jacket, showing a first embodiment of my new design;  
 FIG. 2 is a front elevation view thereof;  
 FIG. 3 is a rear elevation view thereof;  
 FIG. 4 is a right-side elevation view thereof;  
 FIG. 5 is a left-side elevation view thereof;  
 FIG. 6 is a top plan view thereof;  
 FIG. 7 is a bottom plan view thereof;  
 FIG. 8 is a top plan view thereof, shown in a flat configuration;  
 FIG. 9 is a bottom plan view thereof;  
 FIG. 10 is a perspective view of a pet life jacket, showing a second embodiment of my new design;  
 FIG. 11 is a right-side elevation view thereof;  
 FIG. 12 is a left-side elevation view thereof;  
 FIG. 13 is a top plan view thereof; and,  
 FIG. 14 is a top plan view thereof, shown in a flat configuration.

The drawings are shaded to indicate contrasting surfaces. The broken lines showing of life jacket hardware (fasteners and clips) depict environmental subject matter only and forms no part of the claimed design. The broken lines showing on the life jacket depicts stitching and forms no part of the claimed design.

**1 Claim, 13 Drawing Sheets**





(56)

References Cited

U.S. PATENT DOCUMENTS

D422,666	S	4/2000	Wagner	
D427,734	S	7/2000	Balzarini	
D429,390	S	8/2000	Grady et al.	
D429,391	S *	8/2000	Grady	D30/152
6,123,049	A *	9/2000	Slater	A01K 27/002 119/850
D443,910	S	6/2001	Wilbanks	
D459,842	S	7/2002	Kaplan	
6,447,353	B1	9/2002	Henry	
D480,843	S *	10/2003	Sullivan	A01K 27/002 D30/152
D486,275	S *	2/2004	Grubb	D30/145
D507,084	S *	7/2005	Sabeh-Azar	D30/144
D510,160	S *	9/2005	Rominger	D30/199
7,052,345	B1	5/2006	Rowan	
D526,452	S	8/2006	Crain	
D585,606	S *	1/2009	Kennedy	D30/144
7,559,817	B2 *	7/2009	Von Zell	B63C 9/115 441/123
D633,257	S	2/2011	Trias	
D653,409	S *	1/2012	Elliott	D30/144
D736,482	S *	8/2015	Lapresca	D30/152
D814,717	S	4/2018	Puljujarvi et al.	
D828,964	S *	9/2018	Pan	D30/145
2007/0272170	A1	11/2007	Milson	
2008/0223310	A1	9/2008	Remick et al.	
2010/0199927	A1 *	8/2010	Cigard	A01K 1/0263 119/850
2012/0024239	A1	2/2012	Forbes	
2014/0041599	A1	2/2014	Sebo	
2014/0045395	A1	2/2014	Cannici	
2014/0069351	A1	3/2014	Stratton et al.	
2016/0015003	A1 *	1/2016	Watson	A01K 27/002 224/600

FOREIGN PATENT DOCUMENTS

JP	2008178332	1/2007
KR	20140001217	8/2015
WO	D084238	8/2014

OTHER PUBLICATIONS

“Facebook—Vivaglory added a new photo.” Found online Sep. 25, 2019 at [www.facebook.com](http://www.facebook.com). Page dated Jun. 21, 2018. Retrieved from URL: <https://www.facebook.com/Vivaglorypet/photos/a.1686085198106627/1686085254773288/?type=3&theater> (Year: 2018).\*

“Outward Hound Dawson Dog Life Jacket.” Found online Sep. 25, 2019 at [www.amazon.com](http://www.amazon.com). Page dated Jul. 23, 2015. Retrieved from URL: <https://tinyurl.com/yx93gabk> (Year: 2015).\*

“HAOCOO Dog Life Jacket.” Found online Sep. 25, 2019 at [www.amazon.com](http://www.amazon.com). Product reviewed Mar. 14, 2017. Retrieved from URL: [https://www.amazon.com/dp/B01HJACGDM/ref=psdc\\_3024173011\\_t2\\_B076J5GDMJ](https://www.amazon.com/dp/B01HJACGDM/ref=psdc_3024173011_t2_B076J5GDMJ) (Year: 2017).\*

Juliette Morgan, “Dog Life Jacket”, Mar. 4, 2011, 2 pages.

Zstar—China Ltd, “Dog Life Jacket Pet Life Vest Outward Hound Saver Dog Swimming Preserver Safety clothing swimwear swimsuit”, downloaded Jul. 22, 2016, 11 pages.

Outward Hound, “Outward Hound Dog Lifejacket”, Feb. 22, 2014, 1 page, available at <http://www.petsmart.com/supplies-training/life-jackets-swimsuits/outwar> . . .

Earth Doggy, “Dog Flotation Jacket”, Nov. 16, 2010, 2 pages.

Cross Peak Products, “Doggles Dog Life Jacket with Attachable Head Support for Swimming” downloaded Oct. 14, 2016, 7 pages, available at <http://www.crosspeakproducts.com/collections/dog-life-jackets/products/life-jacket-with-attachable-head-support>.

Aliexpress, “Dog Life Jacket Pet Life Vest Outward Hound Saver Dog Swimming Preserver Safety clothing swimwear swimsuit”, downloaded Oct. 14, 2016, 3 pages, available at [http://www.aliexpress.com/store/product/Dog-Life-Jacket-Pet-Life-Vest-Outward-Hound-Saver-Dog-Swimming-Preserver-Safety-clothing-swimwear/106599\\_32362508238.html](http://www.aliexpress.com/store/product/Dog-Life-Jacket-Pet-Life-Vest-Outward-Hound-Saver-Dog-Swimming-Preserver-Safety-clothing-swimwear/106599_32362508238.html).

Cross Peak Products, “Guardian Gear Deluxe Dog Life Jacket with Pillow Head Support”, downloaded Oct. 14, 2016, 7 pages, available at <http://www.crosspeakproducts.com/collections/dog-life-jackets/products/deluxe-dog-life-jacket-with-head-support>.

Henry and Clemmies, “Large Green Life Jacket”, downloaded Oct. 14, 2016, 2 pages, available at <http://www.petgiftsonline.com/Large-Green-Henry-and-Clemmie-s-Dog-Life-Jacket-p/lj-hc-green-1.htm>.

Kong, “AquaFloat Dog Flotation Vest, Pink, Small”, downloaded Oct. 14, 2016, 4 pages, available at [https://www.chewy.com/...&utm\\_content=KONG&utm\\_term=&gclid=CjwKEAjwhILABRDwo8mlqt6ug38SJACNSq\\_ktrNsowaV2EKKL9BVE8wUWFCEQtU62kSP1oFn698RUxoCGx\\_w\\_wcB&gclsrc=aw.ds](https://www.chewy.com/...&utm_content=KONG&utm_term=&gclid=CjwKEAjwhILABRDwo8mlqt6ug38SJACNSq_ktrNsowaV2EKKL9BVE8wUWFCEQtU62kSP1oFn698RUxoCGx_w_wcB&gclsrc=aw.ds).

Kong, “AquaPro Dog Flotation Vest, Green”, downloaded Oct. 14, 2016, 4 pages, available at [https://www.chewy.com/...utm\\_content=KONG&utm\\_term=&gclid=CjwKEAjwhILABRDwo8mlqt6ug38SJACNSq\\_kLqY4\\_-XYyp06NYcV4MohDPOZ7tiAFY3Bo\\_SUxmA-mRoC2nHw\\_wcB&gclsrc=aw.ds](https://www.chewy.com/...utm_content=KONG&utm_term=&gclid=CjwKEAjwhILABRDwo8mlqt6ug38SJACNSq_kLqY4_-XYyp06NYcV4MohDPOZ7tiAFY3Bo_SUxmA-mRoC2nHw_wcB&gclsrc=aw.ds).

Liopard, “Dog Life Jacket”, downloaded Oct. 14, 2016, 2 pages, available at [http://elegant-pet.com/goods-87-Dog-Life-Jacket-%E7%8B%97%E6%95%91%E7%94% . . .](http://elegant-pet.com/goods-87-Dog-Life-Jacket-%E7%8B%97%E6%95%91%E7%94%...)

Outward Hound, “Lifejacket for Dogs, Orange Fish” downloaded Oct. 14, 2016, 4 pages, available at [https://www.chewy.com/...tent=Outward%20Hound&utm\\_term=&gclid=CjwKEAjwhILABRDwo8mlqt6ug38SJACNSq\\_kFiYoiD\\_rWrx3g98hyaPjx4BL3qXjELdLqkPz-m9E3xoCMDHw\\_wcB&gclsrc=aw.ds](https://www.chewy.com/...tent=Outward%20Hound&utm_term=&gclid=CjwKEAjwhILABRDwo8mlqt6ug38SJACNSq_kFiYoiD_rWrx3g98hyaPjx4BL3qXjELdLqkPz-m9E3xoCMDHw_wcB&gclsrc=aw.ds).

Outward Hound, “PupSaver Ripstop Dog Life Jacket” downloaded Oct. 14, 2016, 5 pages, available at [https://www.chewy.com/...tent=Outward%20Hound&utm\\_term=&gclid=CjwKEAjwhILABRDwo8mlqt6ug38SJACNSq\\_kVpwNoEoPcWOLwMrOzuMR96K82I5yIJ8XA1wtIIIaTxoCwFzw\\_wcB&gclsrc=aw](https://www.chewy.com/...tent=Outward%20Hound&utm_term=&gclid=CjwKEAjwhILABRDwo8mlqt6ug38SJACNSq_kVpwNoEoPcWOLwMrOzuMR96K82I5yIJ8XA1wtIIIaTxoCwFzw_wcB&gclsrc=aw).

Ruffwear, “K-9 Float Coat™”, downloaded Oct. 14, 2016, 4 pages, available at [http://www.cabelas.com/...993&rid=20&gclid=CjwKEAjwhILABRDwo8mlqt6ug38SJACNSq\\_kqlaT01ikMVB87qYhsMXntk3jRfBraqrRE6xfSiaQBoCe63w\\_wcB&gclsrc=aw.ds](http://www.cabelas.com/...993&rid=20&gclid=CjwKEAjwhILABRDwo8mlqt6ug38SJACNSq_kqlaT01ikMVB87qYhsMXntk3jRfBraqrRE6xfSiaQBoCe63w_wcB&gclsrc=aw.ds).

“Vivaglory Dog Life Jackets with Extra Padding for Dogs”. Found online Jul. 13, 2017 at [amazon.com](http://amazon.com). Page dated Feb. 26, 2016. Retrieved from [https://www.amazon.com/Nivaglory-Jackets-Extra-Padding-X-Large/dp/B01ABQ318K/ref=cm\\_cr\\_arp\\_d\\_product\\_top?ie=UTF8](https://www.amazon.com/Nivaglory-Jackets-Extra-Padding-X-Large/dp/B01ABQ318K/ref=cm_cr_arp_d_product_top?ie=UTF8).

“Dog Life Vests: Our Top 5 Picks”. Found online Jul. 13, 2017 at [k9ofmine.com](http://k9ofmine.com). Page dated May 26, 2015. Retrieved from <https://www.k9ofmine.com/best-dog-life-vests/>.

“PetCee Dog Life Jacket Quick Release Easy-Fit”. Found online Jul. 13, 2017 at [amazon.com](http://amazon.com). Page dated Jul. 24, 2015. Retrieved from [https://www.amazon.com/Jacket-Adjustable-Jackets-Dogs-PetCee/dp/B00YG73HV2/ref=cm\\_cr\\_arp\\_d\\_product\\_top?ie=UTF8](https://www.amazon.com/Jacket-Adjustable-Jackets-Dogs-PetCee/dp/B00YG73HV2/ref=cm_cr_arp_d_product_top?ie=UTF8).

“Hurtt Collection, Life Jacket for Dogs”. Found online Aug. 24, 2017 at [amazon.com](http://amazon.com). Page dated Jun. 5, 2013. Retrieved from [https://www.amazon.com/Hurtt-Collection-20-40-Pound-17-20-Inch-21-28-Inch/dp/B004UQNX9K/ref=cm\\_cr\\_arp\\_d\\_product\\_top?ie=UTF8](https://www.amazon.com/Hurtt-Collection-20-40-Pound-17-20-Inch-21-28-Inch/dp/B004UQNX9K/ref=cm_cr_arp_d_product_top?ie=UTF8).

“Vivaglory Dog Life Jacket” Found online Jul. 18, 2018 at [amazon.com](http://amazon.com). Retrieved from [https://www.amazon.com/Vivaglory-Neoprene-Skin-friendly-Reflective-Adjustable/dp/B076J3KQLG/ref=sr\\_1\\_1\\_sspa?ie=UTF8&qid=1531948851&sr=8-1-spons&keywords=vivaglory+dog+life+jacket&psc=1](https://www.amazon.com/Vivaglory-Neoprene-Skin-friendly-Reflective-Adjustable/dp/B076J3KQLG/ref=sr_1_1_sspa?ie=UTF8&qid=1531948851&sr=8-1-spons&keywords=vivaglory+dog+life+jacket&psc=1).

“Outward Hound Dawson Dog Life Jacket” Found online Jul. 18, 2018 at [amazon.com](http://amazon.com). Retrieved from [https://www.amazon.com/Outward-Hound-Dawson-Life-Jacket/dp/B01N4CG5BY/ref=sr\\_1\\_1\\_sspa?s=pets-supplies&ie=UTF8&qid=1531949289&sr=1-1-spons&keywords=vivaglory+dog+life+jacket+xl&psc=1](https://www.amazon.com/Outward-Hound-Dawson-Life-Jacket/dp/B01N4CG5BY/ref=sr_1_1_sspa?s=pets-supplies&ie=UTF8&qid=1531949289&sr=1-1-spons&keywords=vivaglory+dog+life+jacket+xl&psc=1).

\* cited by examiner

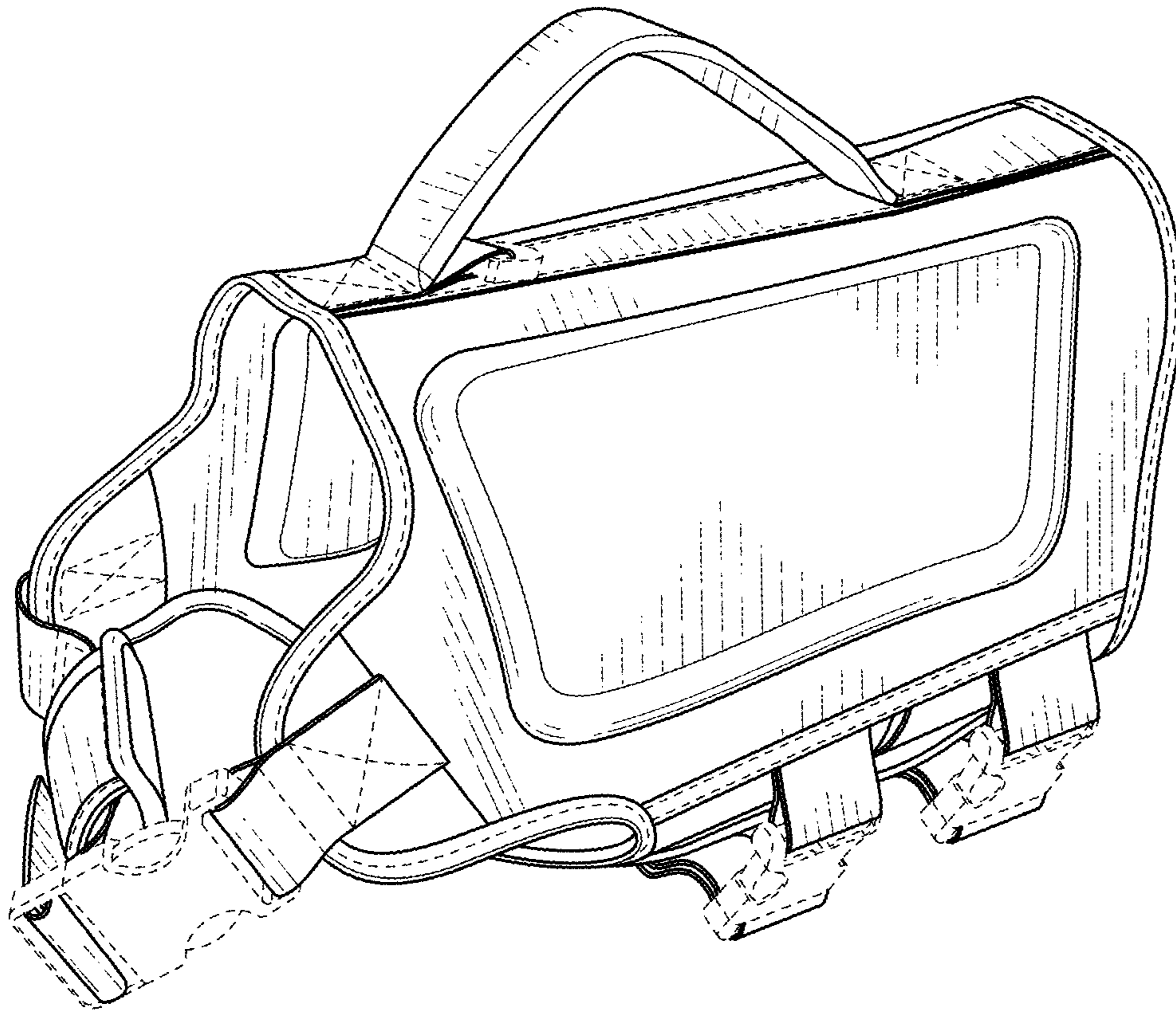


FIG. 1



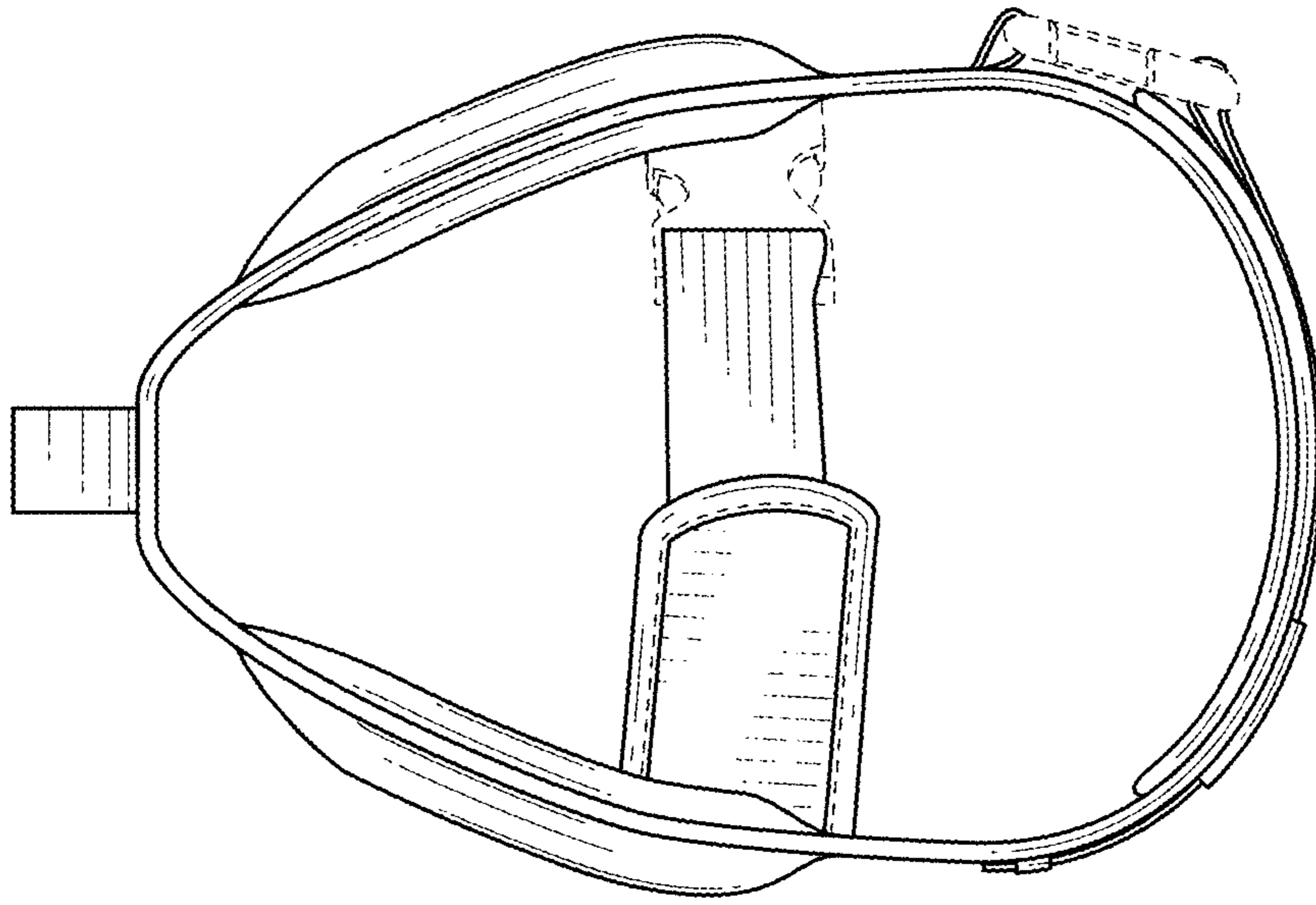


FIG. 2

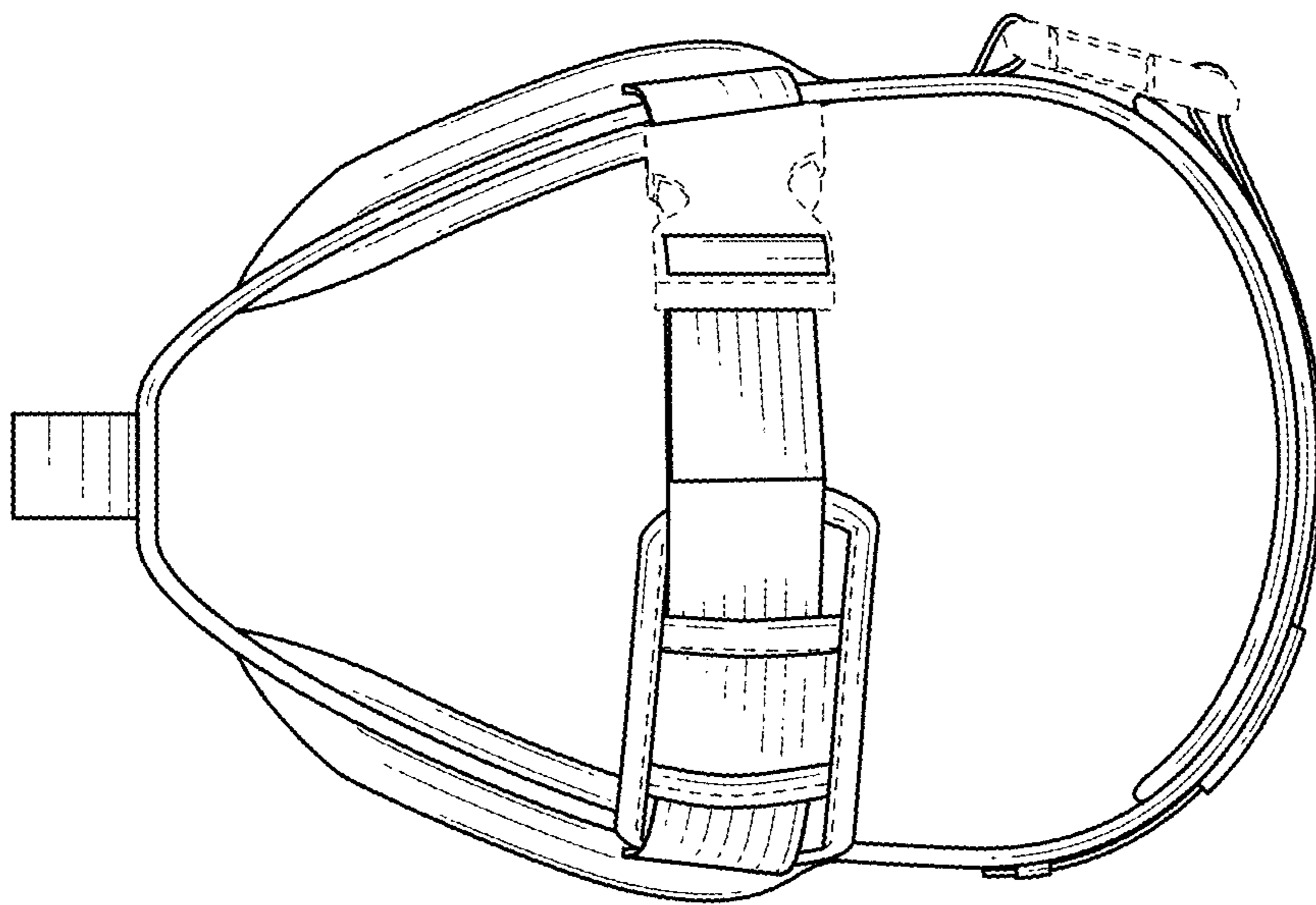


FIG. 3

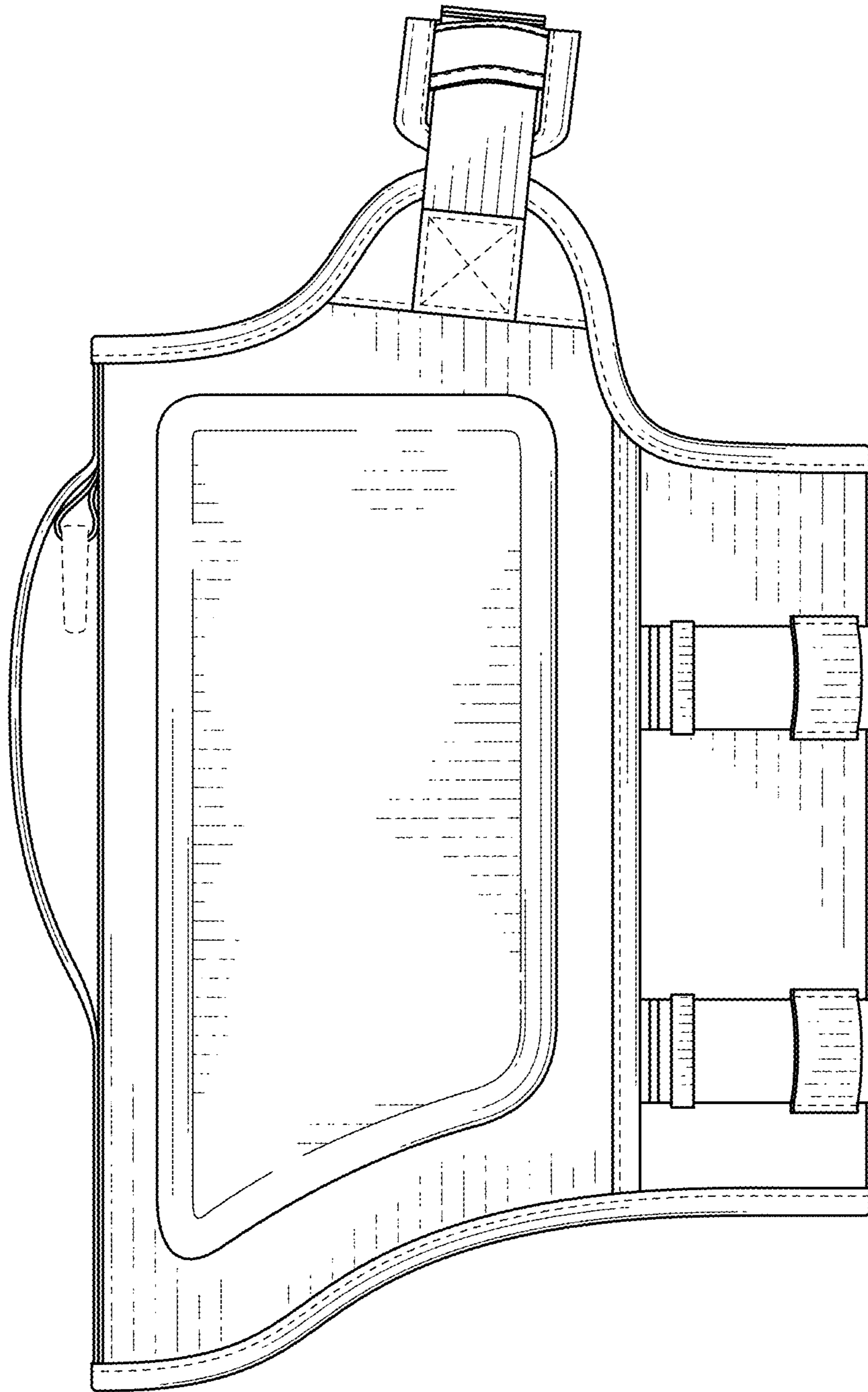


FIG. 4

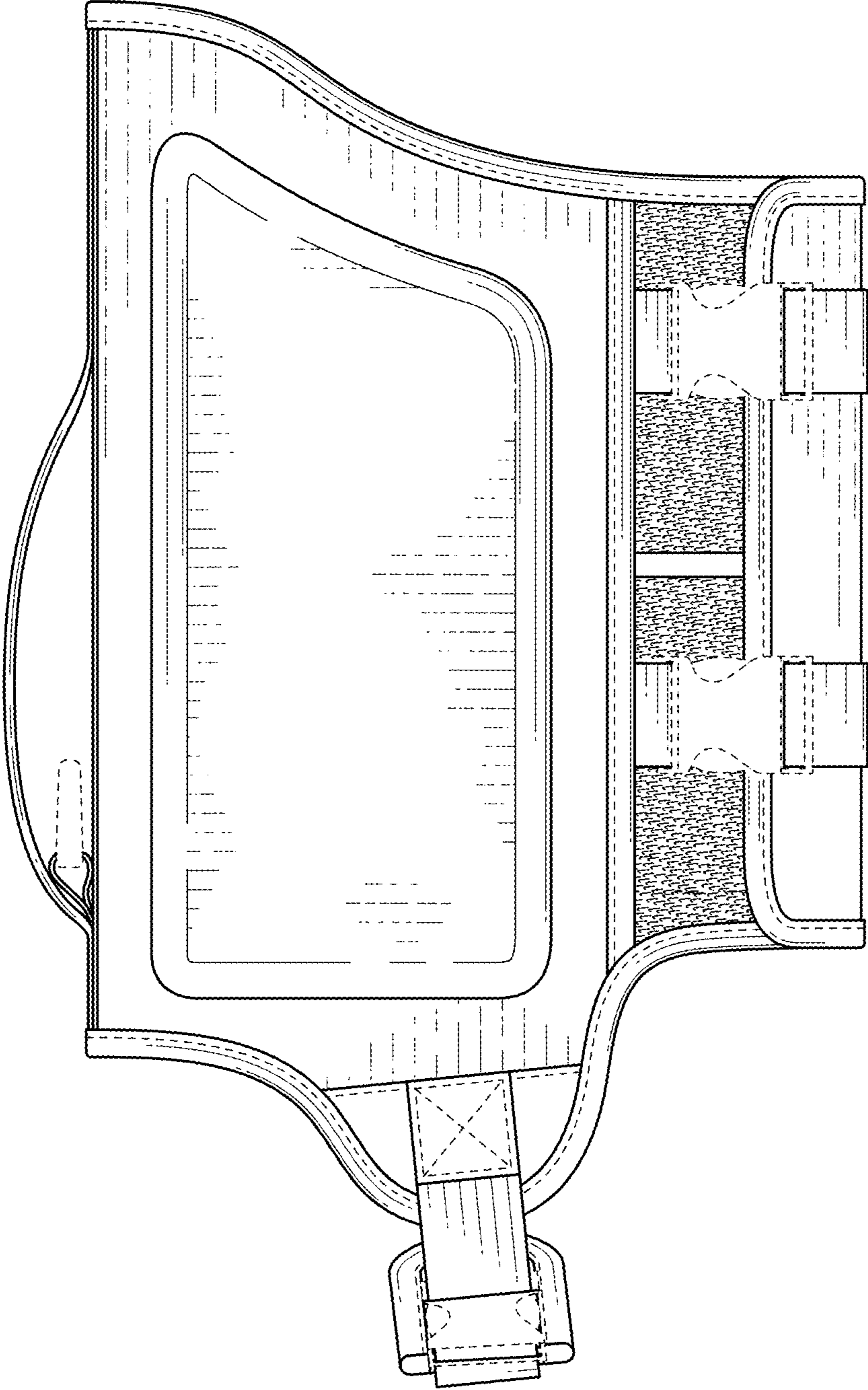


FIG. 5

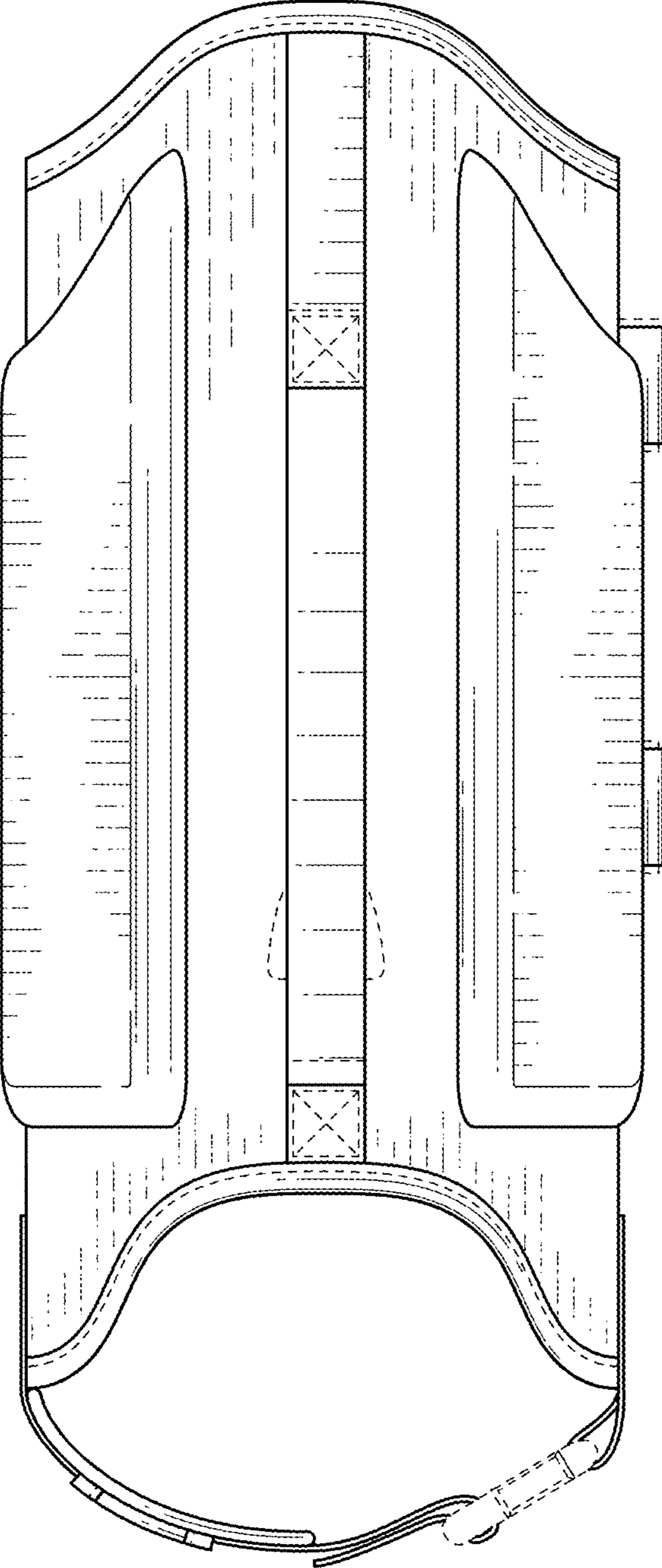


FIG. 6

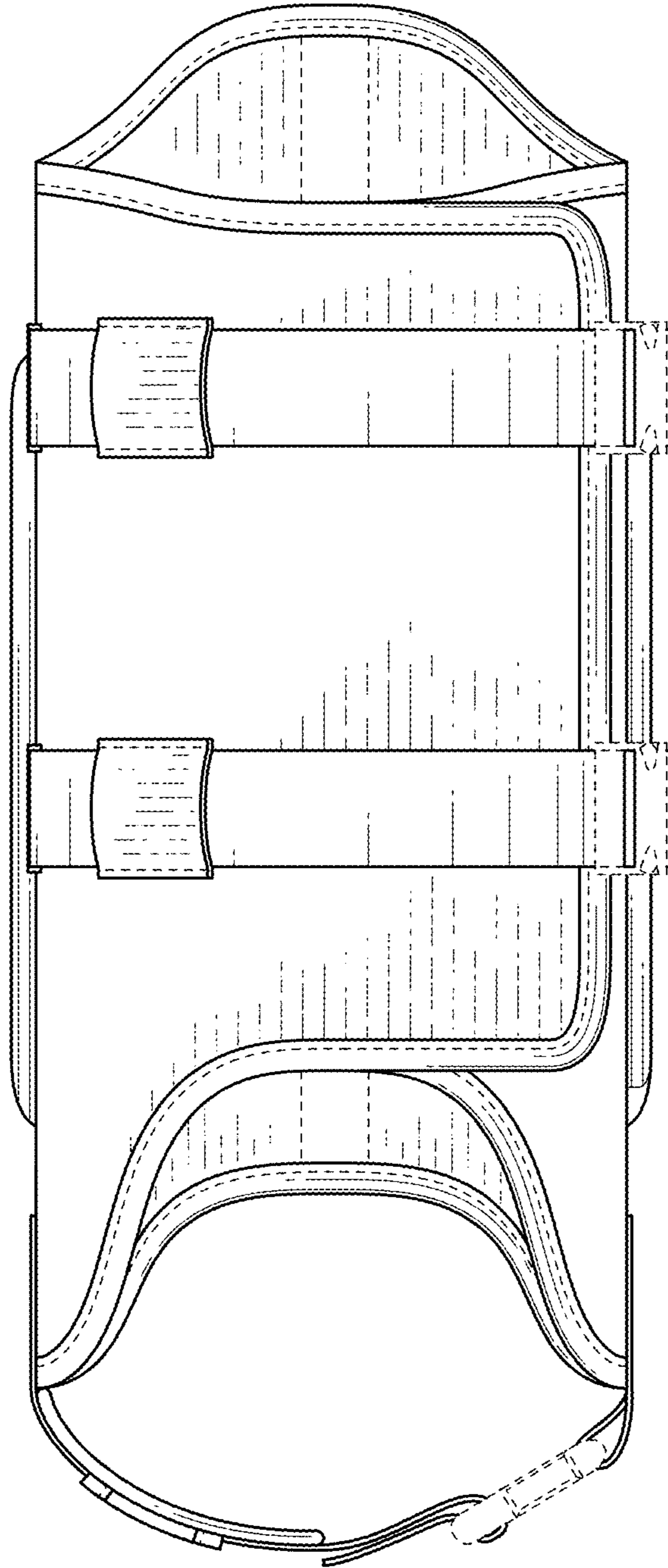


FIG. 7



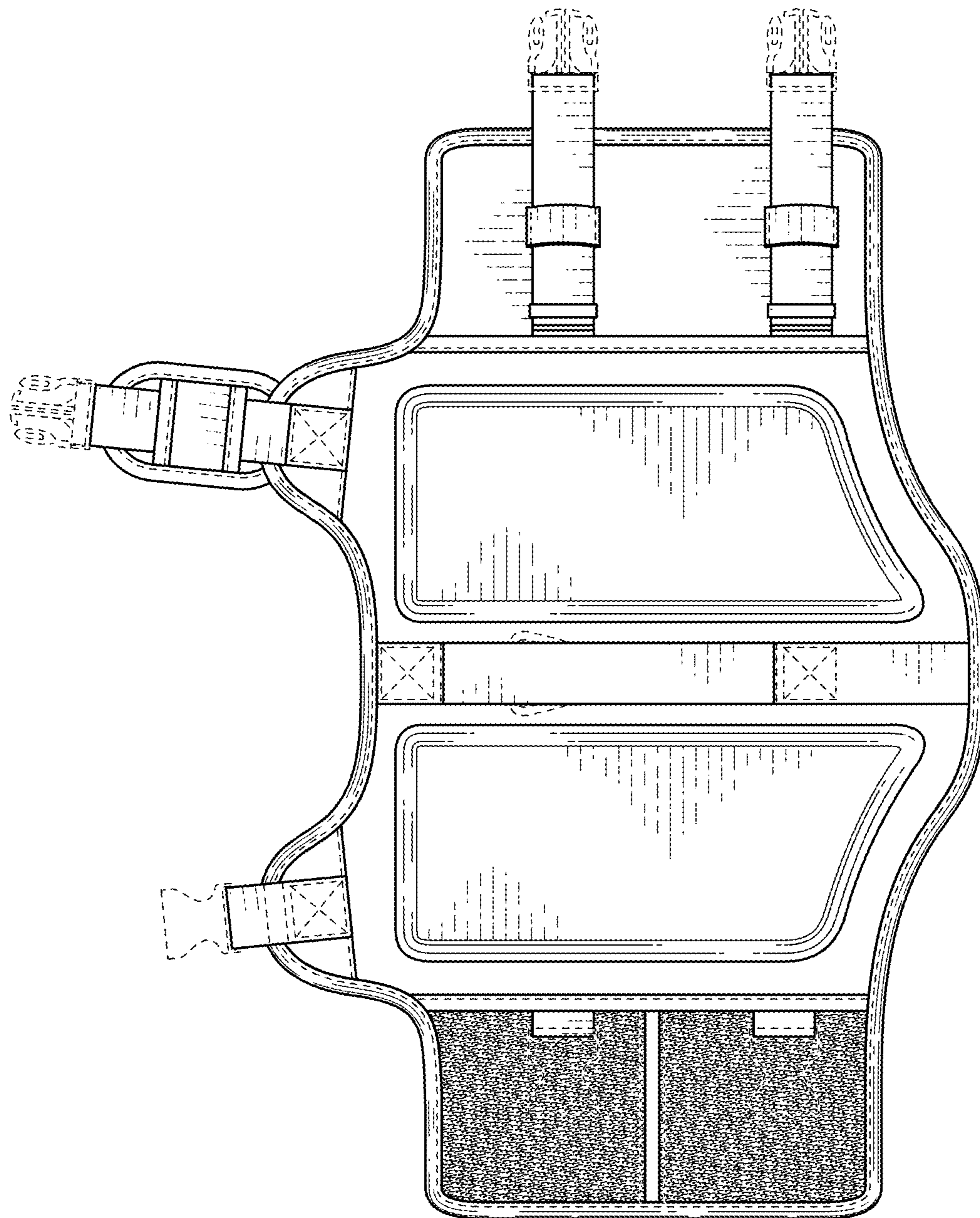


FIG. 8

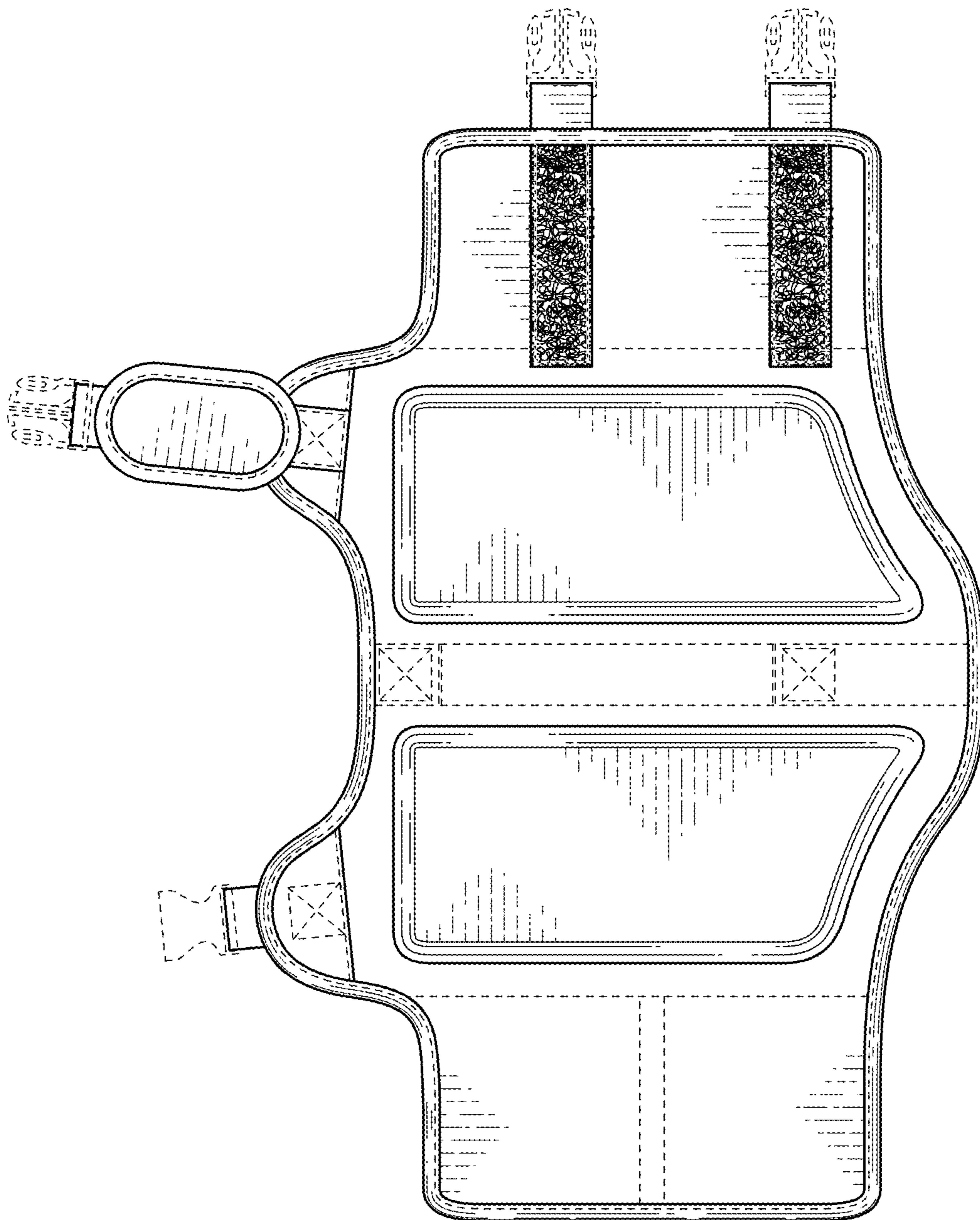


FIG. 9

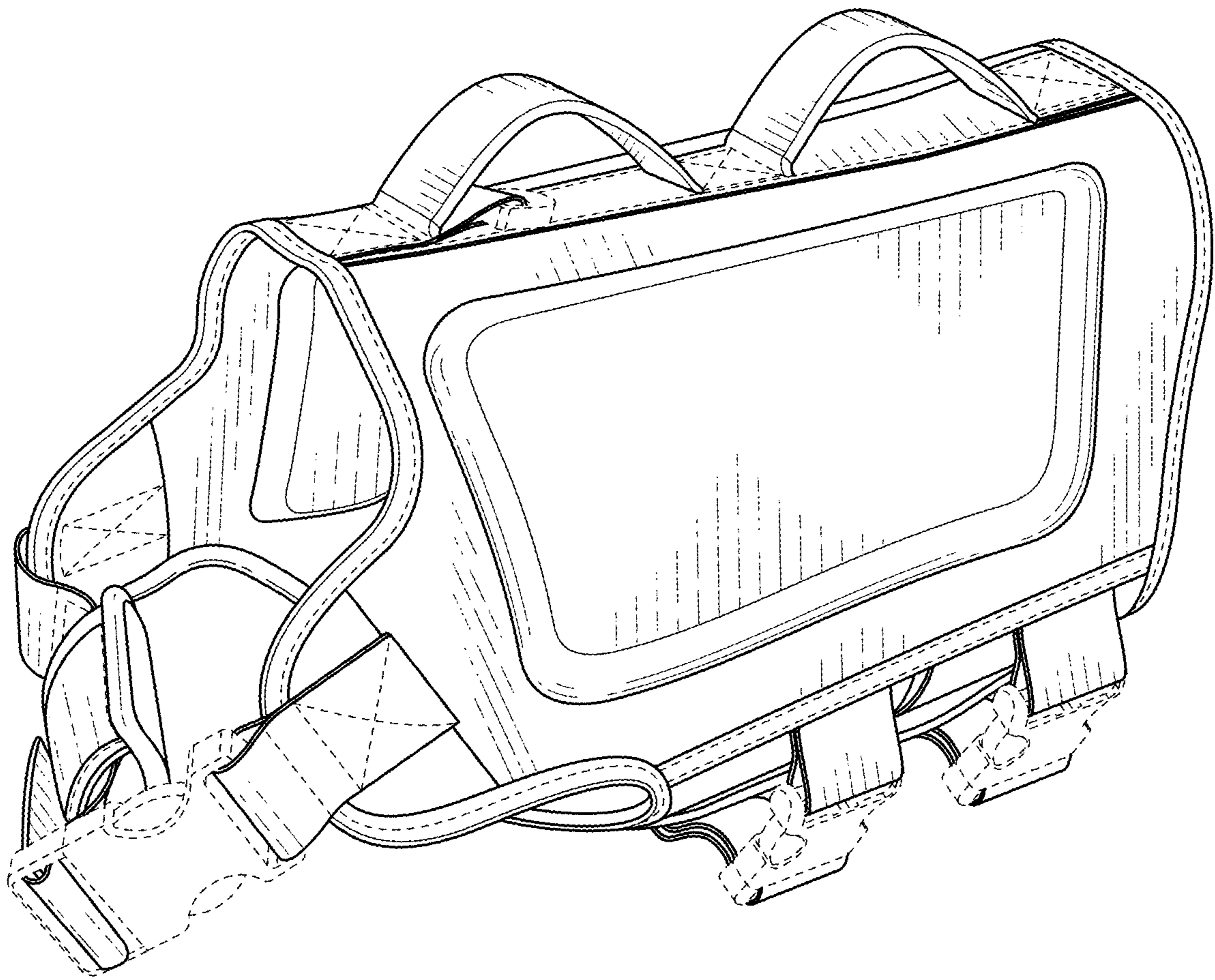


FIG. 10



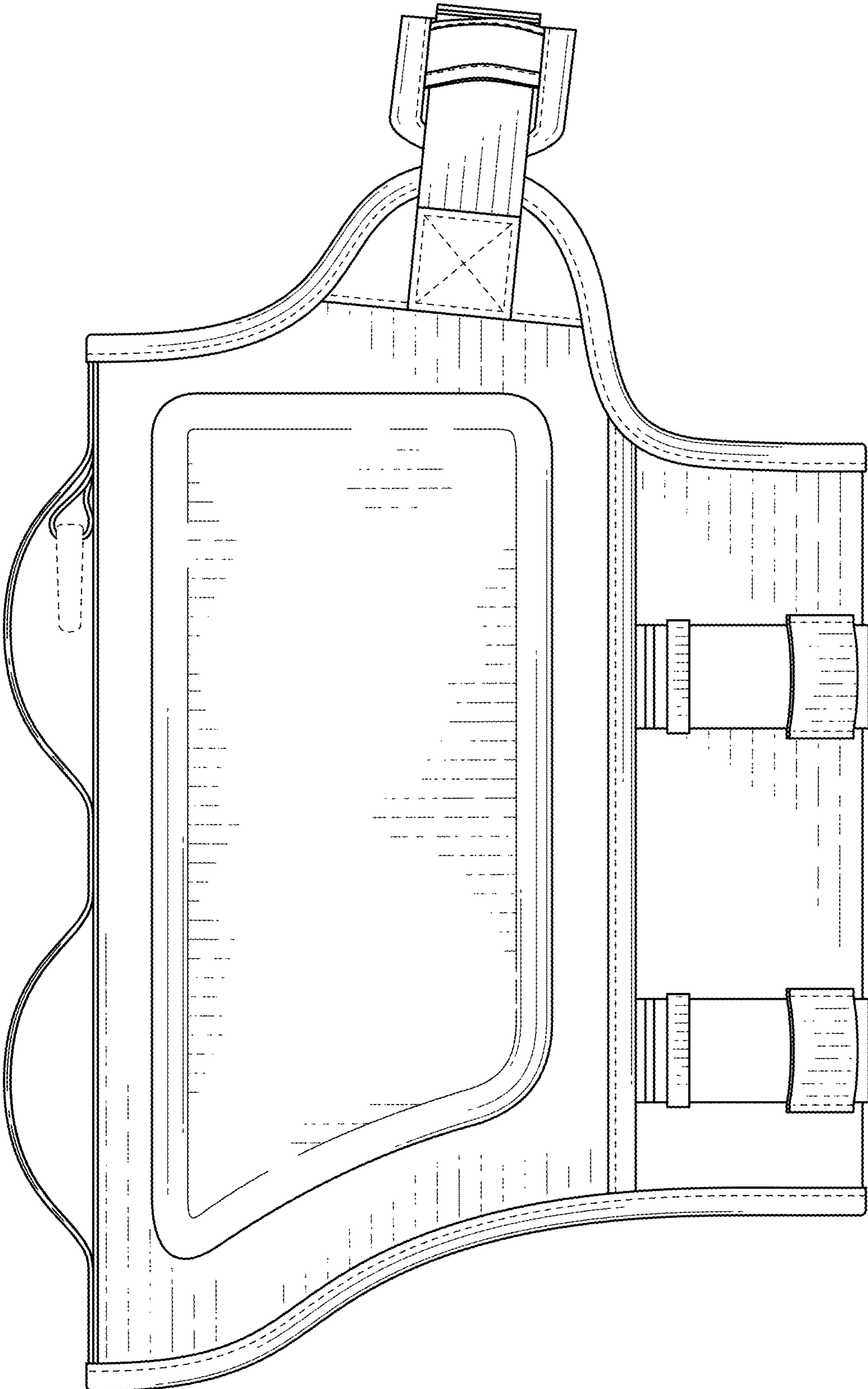


FIG. 11

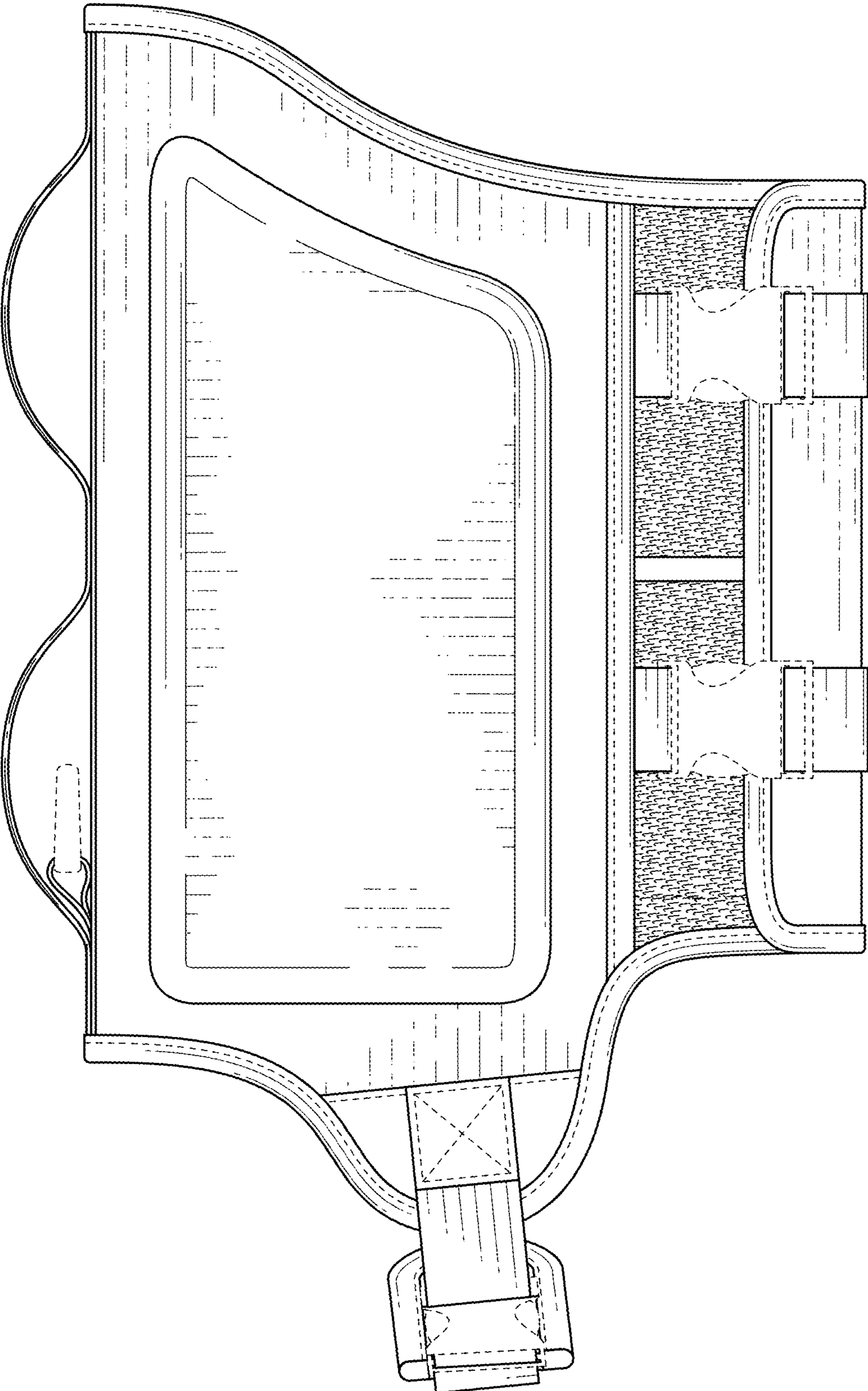


FIG. 12

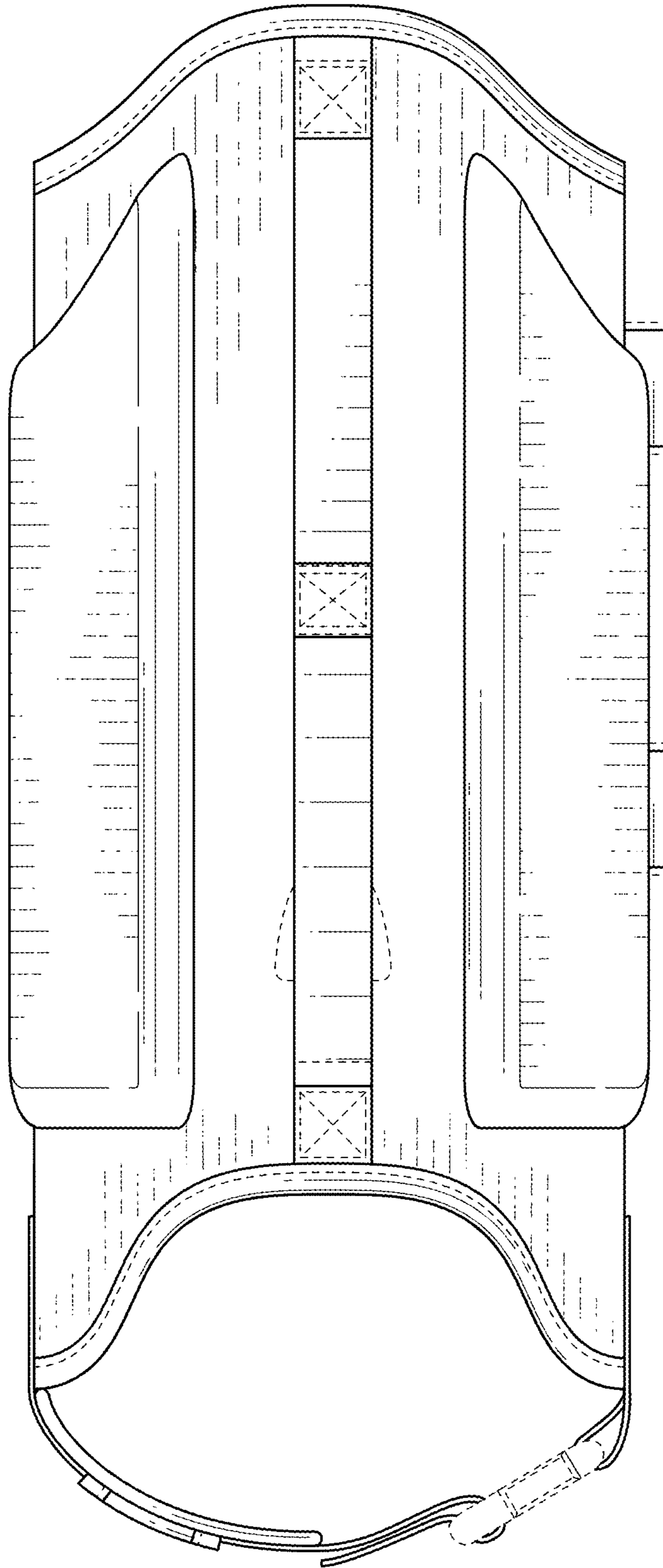


FIG. 13



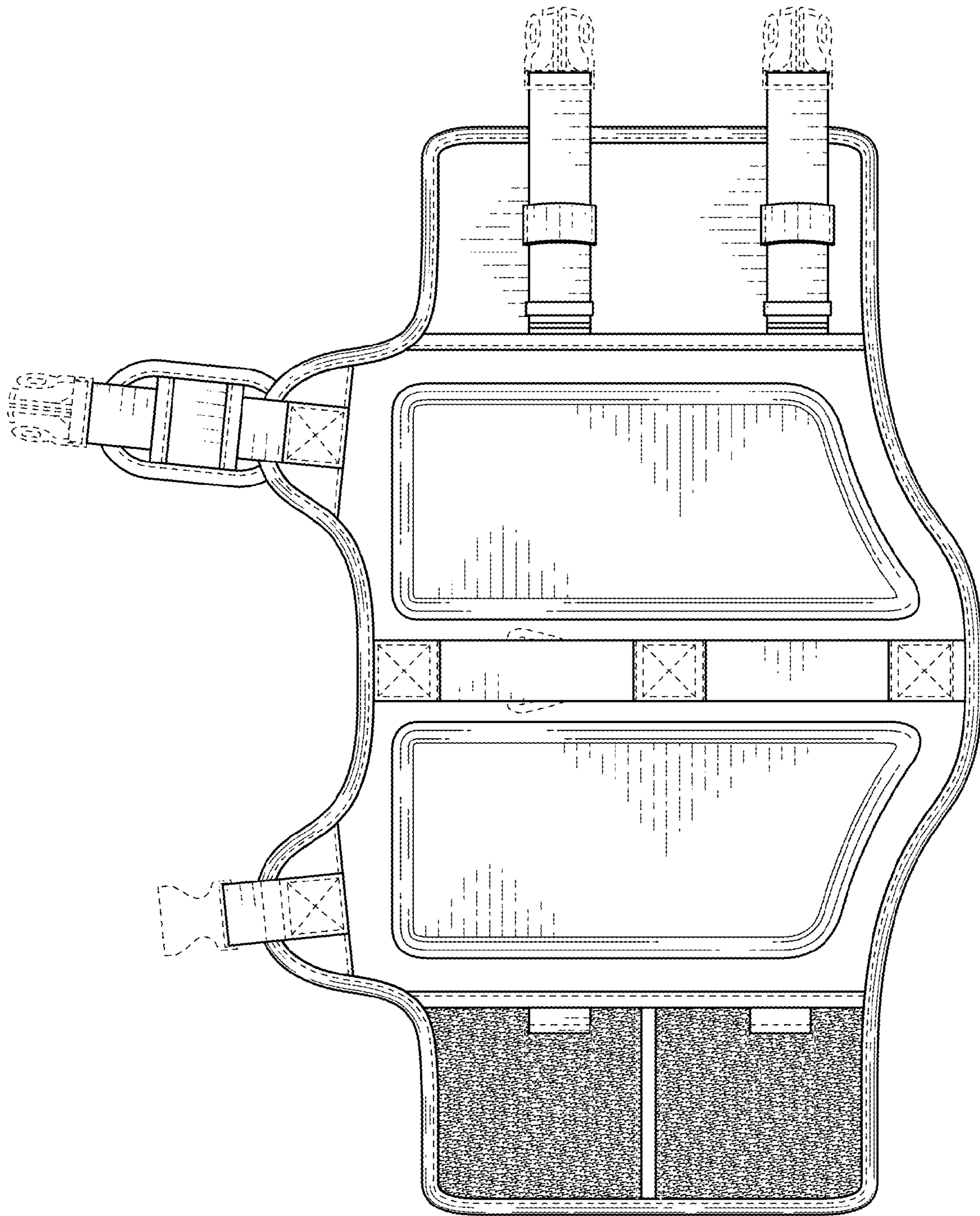


FIG. 14