



US00D885686S

(12) **United States Design Patent**
Chen et al.

(10) **Patent No.:** **US D885,686 S**

(45) **Date of Patent:** **** May 26, 2020**

(54) **PET FEEDER**

(71) Applicant: **Dogness Group LLC**, Plano, TX (US)

(72) Inventors: **Silong Chen**, Dongguan (CN); **Yunhao Chen**, Plano, TX (US)

(**) Term: **15 Years**

(21) Appl. No.: **29/685,156**

(22) Filed: **Mar. 27, 2019**

(30) **Foreign Application Priority Data**

Jan. 21, 2019 (CN) 2019 3 0030841

(51) **LOC (12) Cl.** **30-07**

(52) **U.S. Cl.**
USPC **D30/122**

(58) **Field of Classification Search**

USPC D30/121, 122, 129-133, 120; 119/61.5, 119/51.01, 61.56, 51.03, 59, 62, 63, 51.5, 119/57.8, 74, 61.54, 61.55, 53, 53.5, 75, 119/56.2, 51.02, 51.11, 51.12, 57.1, 52.1, 119/515; 312/204; 248/151, 188; 108/156, 153.1-157; 220/23.87, 630, 220/737, 743, 9.4, 495.01, 574, 212, 255, 220/23.83; 206/515; D7/586, 543, D7/550.1, 587, 505, 584, 545, 500, D7/553.1-553.8, 546, 555, 556, 504, 565, D7/562, 602, 605, 312, 313, 320, 307, D7/306, 309, 354, 311, 399, 397, 323, D7/332, 331, 347, 346, 322, 318, 317, D7/316, 619.1; D9/429; 43/109; D22/122; 99/430, DIG. 15, 280, 285, 99/312; 222/209, 131, 363, 349, 517, 222/153.13, 401, 1, 146.5, 23, 54, 64, 51, 222/156, 399, 400.8; 219/438, 439, 441, 219/385, 386, 402, 407; 210/94, 184, 210/474, 477

CPC A01K 5/02; A01K 5/0225; A01K 5/0114; A01K 5/0142; A01K 5/0233; A01K 5/0283; A01K 5/025; A01K 5/0266;

A01K 5/0275; A01K 5/0291; A01K 5/0258; A01K 29/00; A01K 7/00; G01F 11/24; G01F 23/02; B67D 1/0425; B67D 1/04; B67D 1/00; B67D 1/02; B67D 1/0871; B67D 1/0802; A47J 41/0033; A47J 41/005; A47J 41/0088; A47J 41/0094; A47J 31/04; A47J 31/053; B05B 11/00; B05B 11/0002; B05B 11/0005; B05B 11/001; C02F 1/003; C02F 1/283; C02F 2307/02

See application file for complete search history.

(56) **References Cited**

U.S. PATENT DOCUMENTS

867,621 A * 10/1907 Tannehill A01K 39/026 119/77
3,340,851 A * 9/1967 Frank A01K 5/0291 119/51.13

(Continued)

Primary Examiner — Susan Moon Lee
(74) *Attorney, Agent, or Firm* — ZANIP

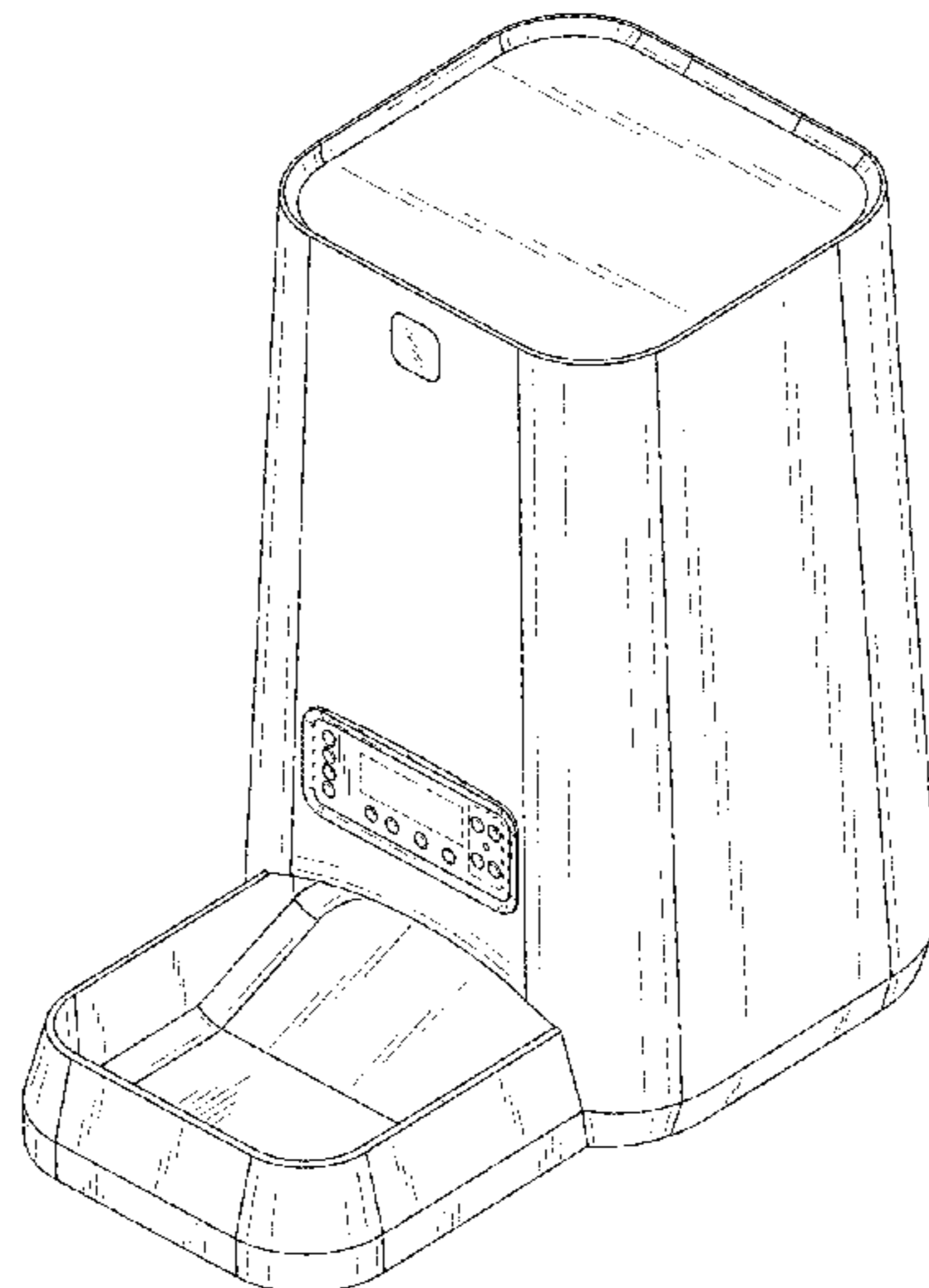
(57) **CLAIM**

The ornamental design for a pet feeder, as shown and described.

DESCRIPTION

FIG. 1 is a front elevation view of a pet feeder showing my new design;
FIG. 2 is a rear elevation view thereof;
FIG. 3 is a left side elevation view thereof;
FIG. 4 is a right side elevation view thereof;
FIG. 5 is a top plan view thereof;
FIG. 6 is a bottom view thereof;
FIG. 7 is a front perspective view thereof; and,
FIG. 8 is a rear perspective view thereof.
The broken lines depict unclaimed features of the pet feeder, shown for purposes of illustration, that form no part of the claimed design.

1 Claim, 8 Drawing Sheets



(56)

References Cited

U.S. PATENT DOCUMENTS

3,754,527	A *	8/1973	Jenkins	A01K 5/0291	119/51.14
4,034,715	A *	7/1977	Arner	A01K 5/0114	119/51.5
4,079,699	A *	3/1978	Longmore	A01K 5/0291	119/51.11
4,279,221	A *	7/1981	Arvizu	A01K 5/0291	119/51.11
4,281,624	A *	8/1981	Raines	A01K 5/0225	119/52.1
4,485,765	A *	12/1984	Schwartz	A01K 5/0291	119/51.13
4,735,171	A *	4/1988	Essex	A01K 5/0291	119/51.12
4,840,143	A *	6/1989	Simon	A01K 5/0225	119/52.1
5,239,943	A *	8/1993	Kim	A01K 5/0291	119/51.12
D364,942	S *	12/1995	VanSkiver	D30/121	
5,809,934	A *	9/1998	Gavet	A01K 7/02	119/52.1
6,142,099	A *	11/2000	Lange, Jr.	A01K 5/0142	119/51.5
6,487,987	B1 *	12/2002	Choi	A01K 5/0291	119/51.11
6,651,592	B2 *	11/2003	Maddox	A01K 5/0114	119/712
6,863,025	B2 *	3/2005	Ness	A01K 7/02	119/51.5
7,146,930	B1 *	12/2006	Ness	A01K 7/02	119/77
7,228,816	B2 *	6/2007	Turner	A01K 5/0114	119/51.02
7,426,901	B2 *	9/2008	Turner	A01K 5/0114	119/51.02
7,895,973	B1 *	3/2011	Whelan	A01K 5/025	119/51.02
7,913,647	B1 *	3/2011	Martin	A01K 7/04	119/52.1
D637,769	S *	5/2011	Weber	D30/121	
8,166,922	B2 *	5/2012	Jalbert	A01K 1/0107	119/501
8,578,882	B2 *	11/2013	Araujo	A01K 5/02	119/51.01
8,627,786	B2 *	1/2014	Arthur	A01K 5/0283	119/51.02
D699,400	S *	2/2014	Itzhak-Sigron	D30/121	
8,701,595	B2 *	4/2014	Jin	A01K 5/0291	119/51.01
9,137,967	B2 *	9/2015	Lathim	A01K 5/0225	
9,198,398	B2 *	12/2015	Rogers	A01K 7/06	
D751,774	S *	3/2016	Allen	D30/122	
9,345,231	B2 *	5/2016	Jalbert	A01K 5/0114	
D759,905	S *	6/2016	Stewart	D30/122	
9,374,981	B2 *	6/2016	Powers	A01K 5/0225	
9,414,568	B2 *	8/2016	Veness	A01K 5/0114	
9,750,229	B2 *	9/2017	Stewart	A01K 5/0275	
D806,958	S *	1/2018	Maloney	D30/122	
10,098,321	B2 *	10/2018	McKay	A01K 7/00	
D835,356	S *	12/2018	Xie	D30/122	
D836,850	S *	12/2018	Li	D30/122	
D840,115	S *	2/2019	Nieves	D30/122	
D843,665	S *	3/2019	Zeng	D30/122	
D844,258	S *	3/2019	Xu	D30/122	
D846,815	S *	4/2019	Darkwah	D30/132	
2006/0196433	A1 *	9/2006	Ness	A01K 5/0114	119/52.1
2007/0193524	A1 *	8/2007	Turner	A01K 5/0114	119/51.02
2011/0146580	A1 *	6/2011	Jalbert	A01K 1/0107	119/51.02
2013/0092090	A1 *	4/2013	McCallum	A01K 7/06	119/74
2013/0213308	A1 *	8/2013	Koskey, Jr.	A01K 7/027	119/74
2013/0298839	A1 *	11/2013	Richards	A01N 59/12	119/75
2013/0333622	A1 *	12/2013	Jin	A01K 5/0291	119/51.01
2014/0277701	A1 *	9/2014	Martin	A01K 5/0114	700/231
2014/0305970	A1 *	10/2014	Musumeci	B65D 75/5844	222/228
2015/0068463	A1 *	3/2015	Worry	A01K 5/0114	119/57.1
2015/0143750	A1 *	5/2015	Jalbert	A01K 5/0142	49/25
2015/0145644	A1 *	5/2015	Jalbert	A01K 11/006	340/5.61
2015/0164044	A1 *	6/2015	Powers	A01K 5/0225	119/61.5
2016/0286755	A1 *	10/2016	Feng	A01K 5/0291	
2017/0099804	A1 *	4/2017	Chang	G08C 17/02	
2017/0202178	A1 *	7/2017	Gordon	A01K 5/0275	
2018/0027763	A1 *	2/2018	Veness	A01K 5/0114	
2019/0029221	A1 *	1/2019	Anderton	A01K 5/0233	
2019/0029222	A1 *	1/2019	Anderton	A01K 11/006	
2019/0059322	A1 *	2/2019	Xu	A01K 5/0225	

* cited by examiner

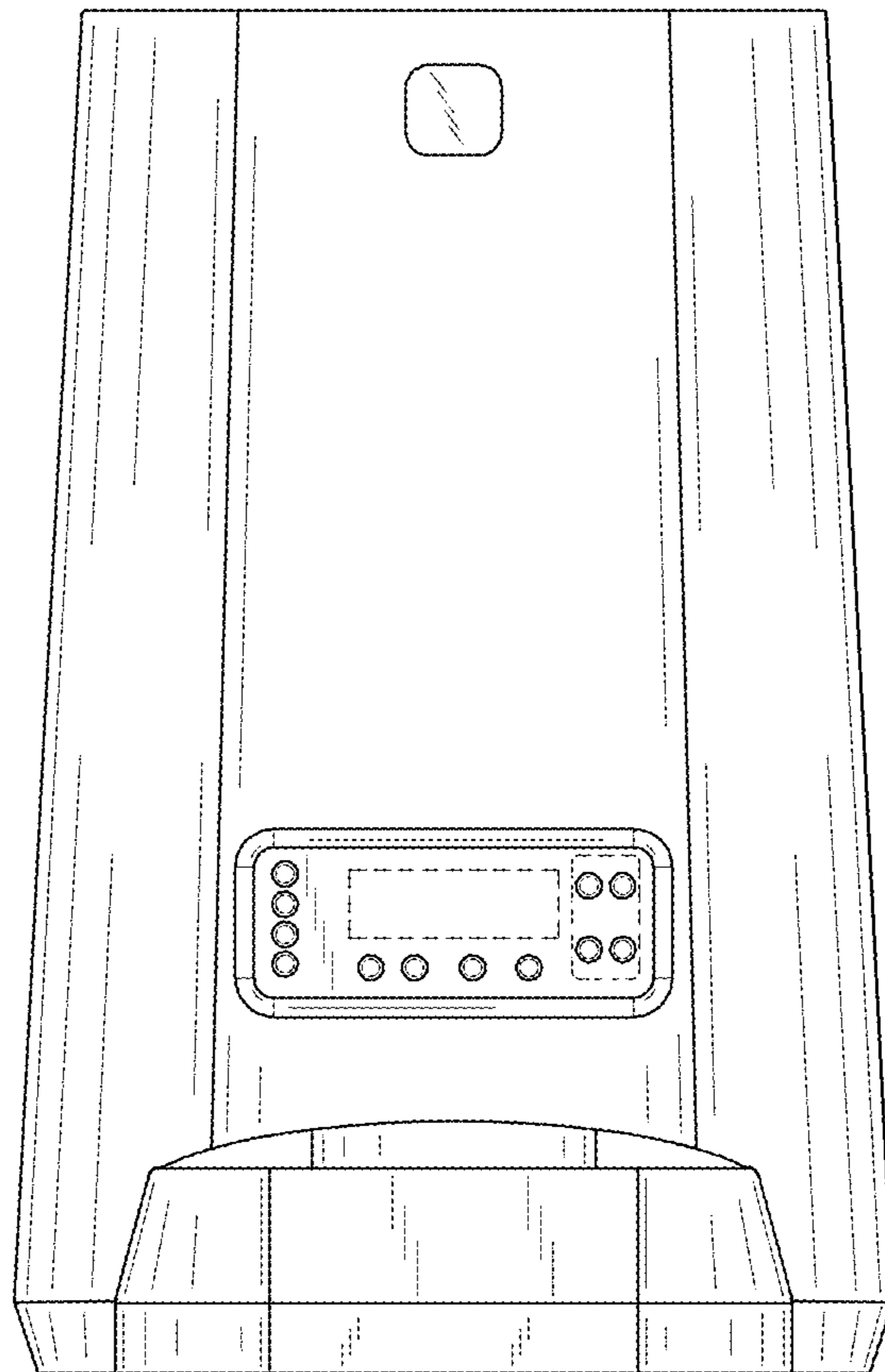


FIG.1

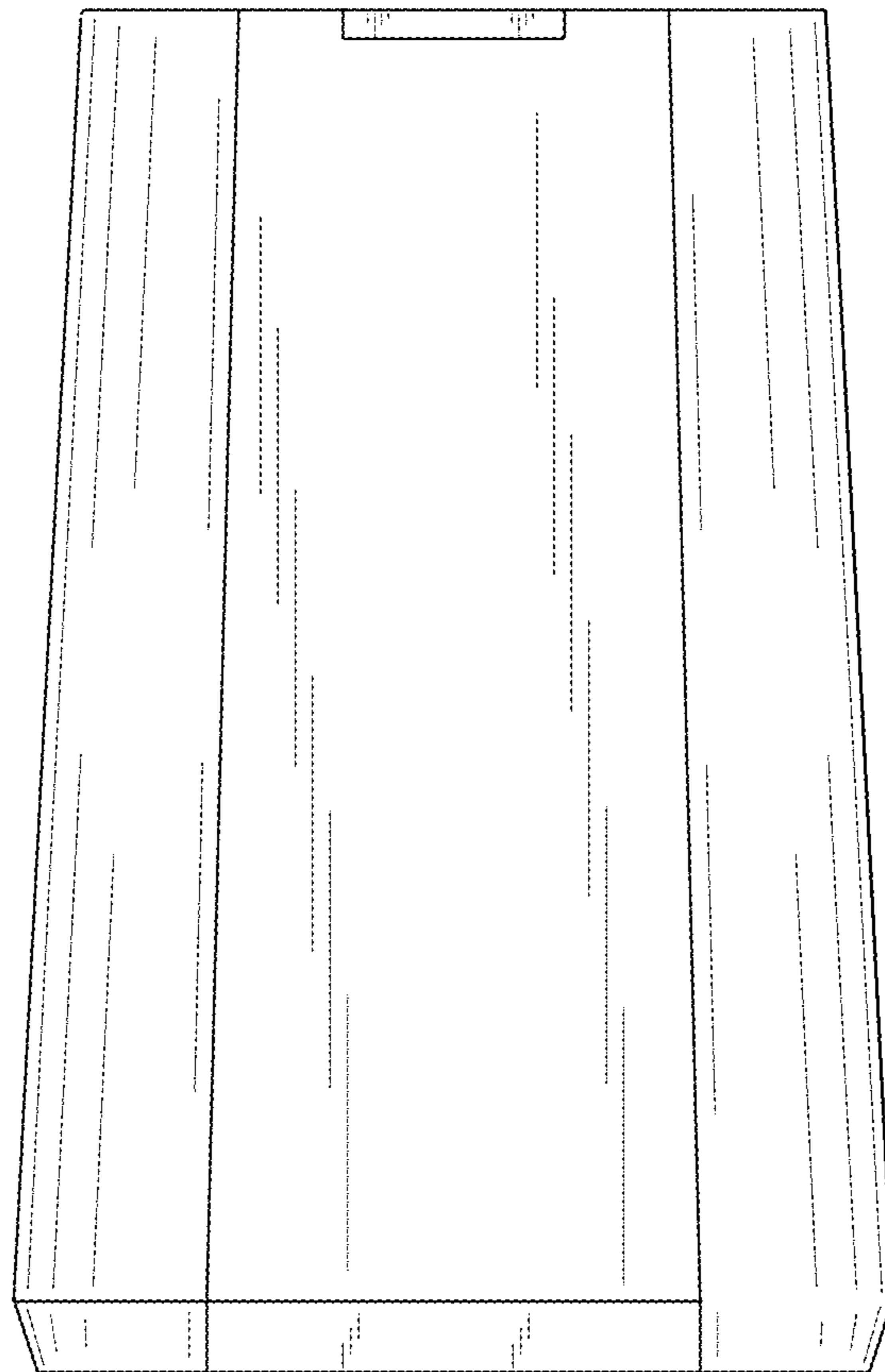


FIG.2

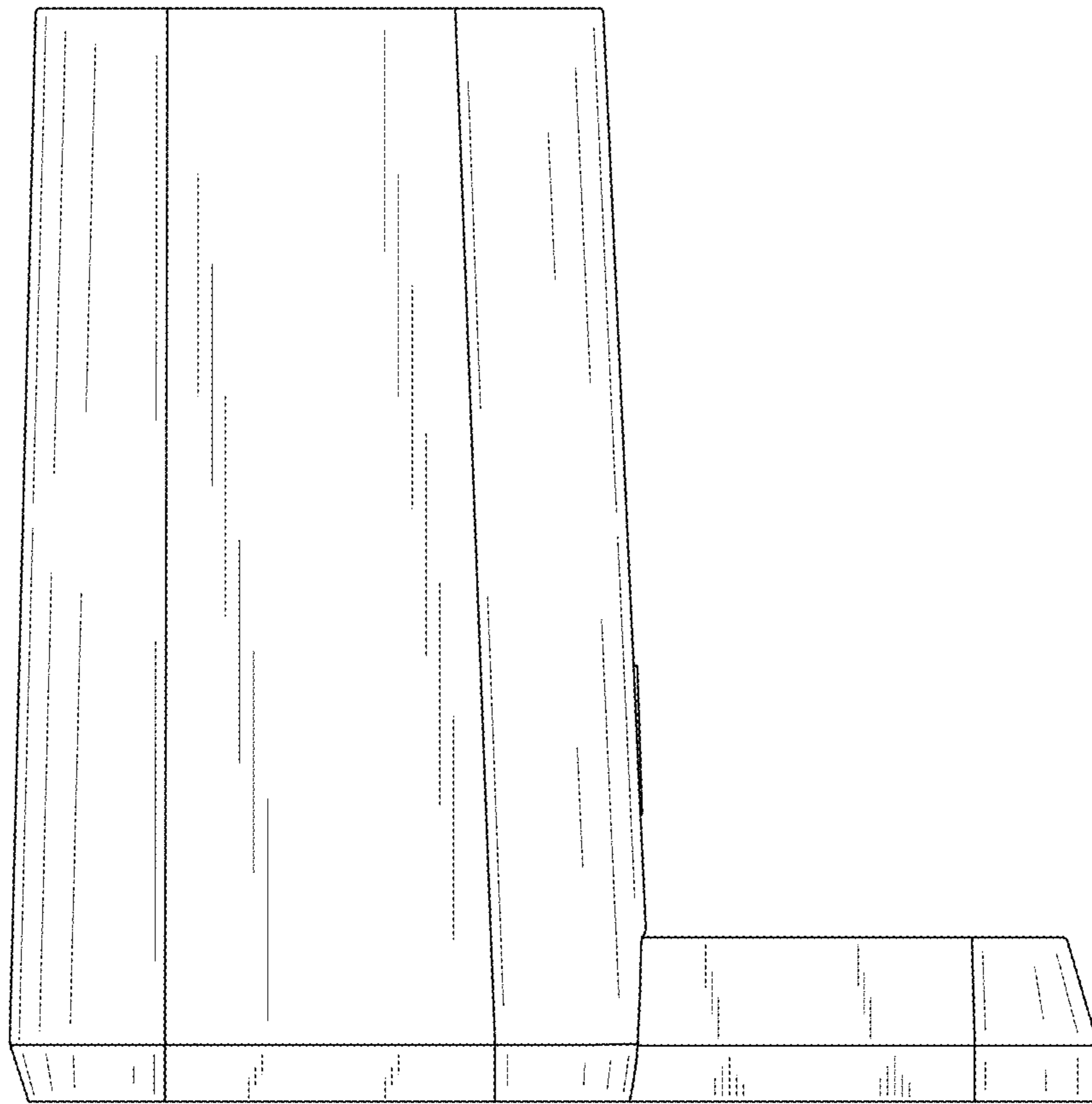


FIG.3

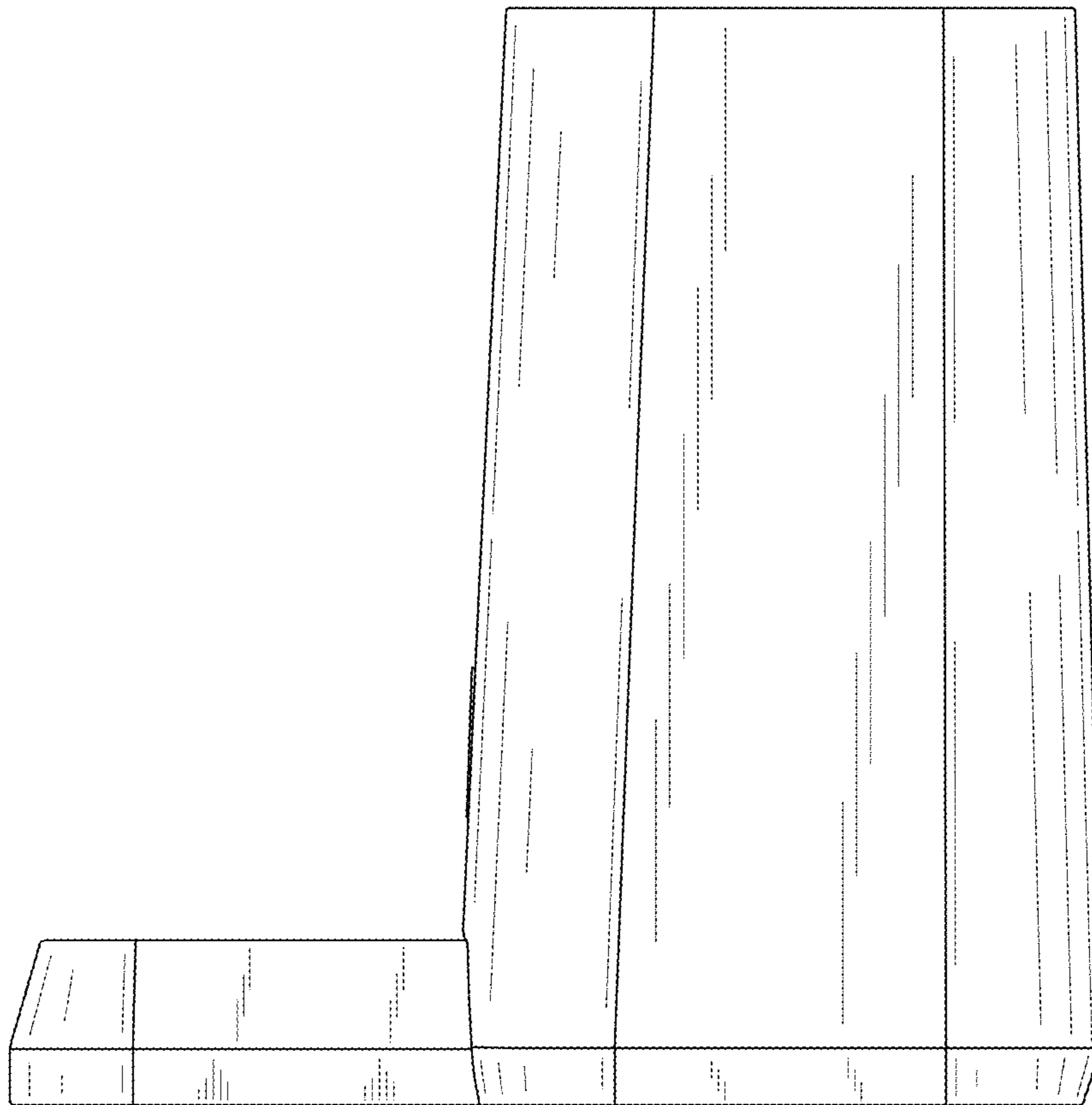


FIG.4

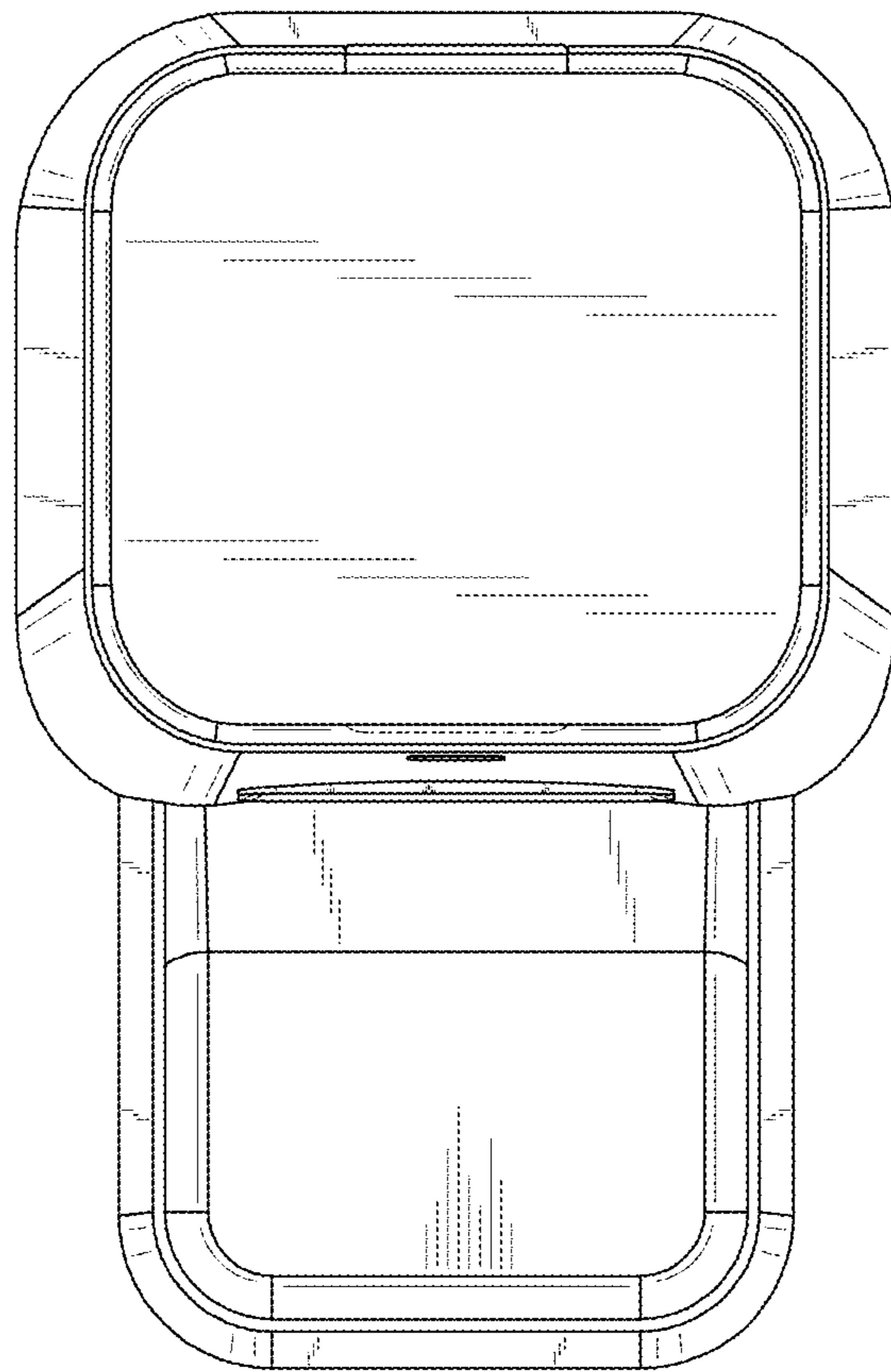


FIG.5

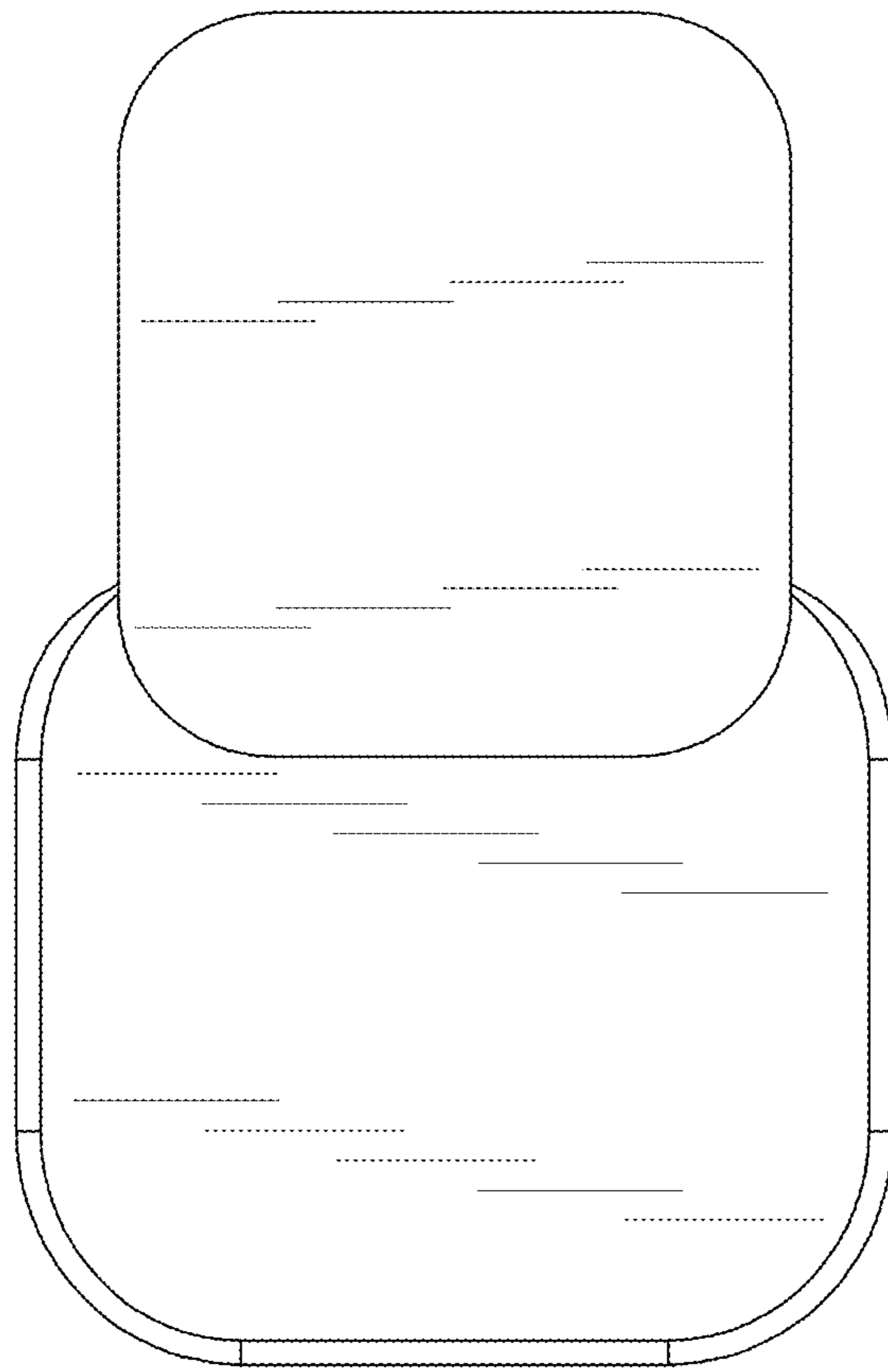


FIG.6

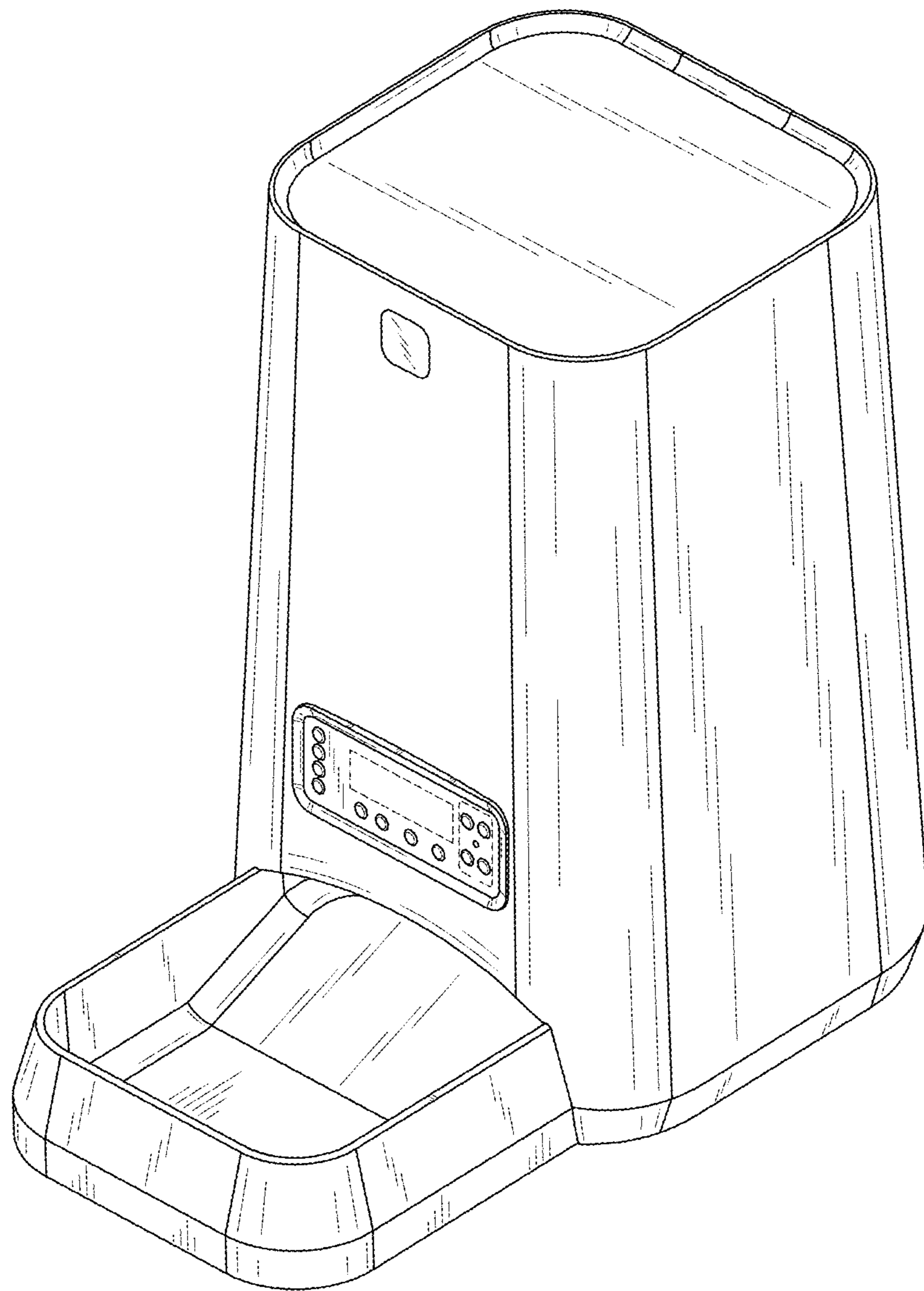


FIG.7

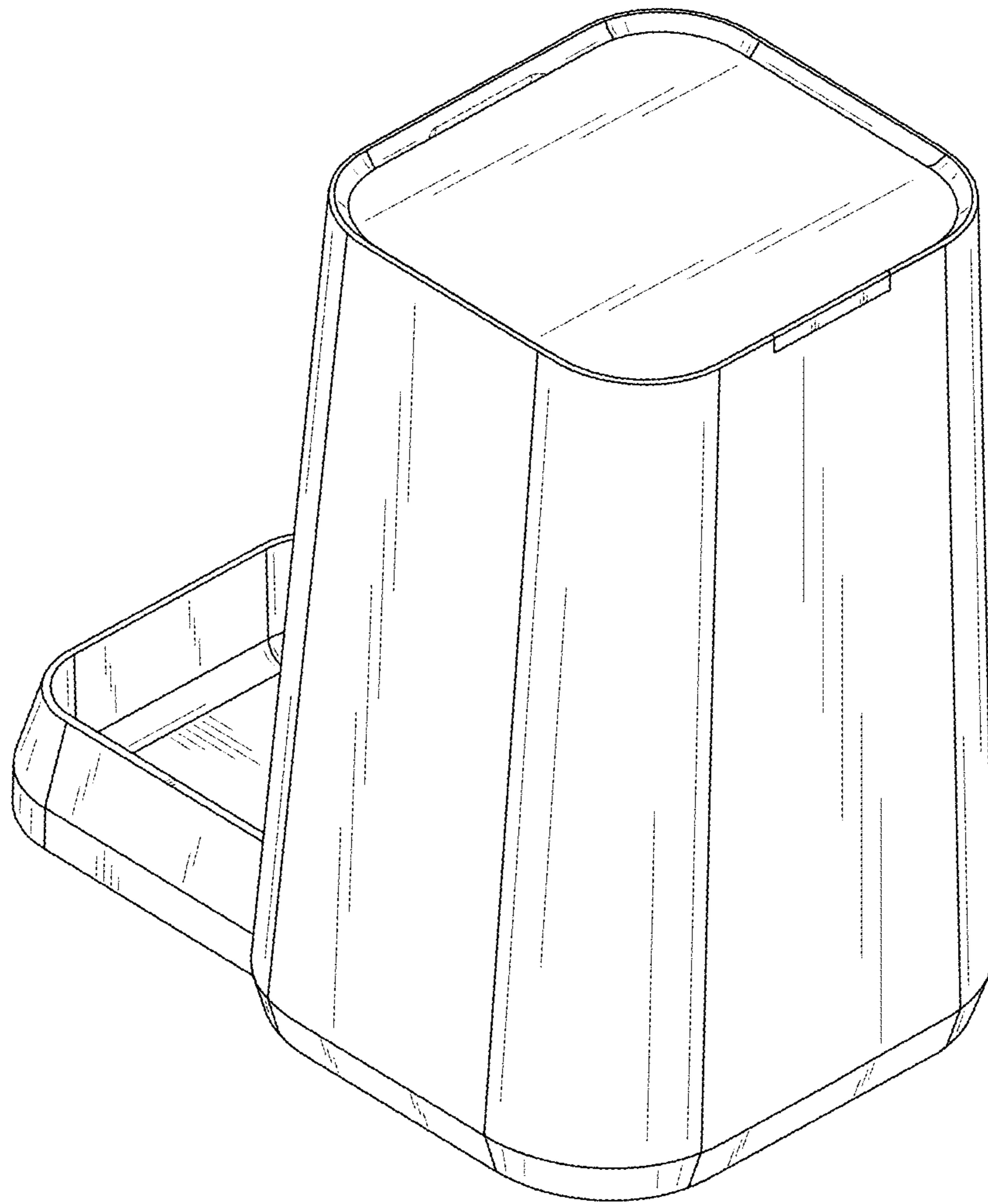


FIG. 8