



US00D885684S

(12) **United States Design Patent** (10) **Patent No.:** **US D885,684 S**
Savill, Jr. (45) **Date of Patent:** **** May 26, 2020**

(54) **HOPPER**

(71) Applicant: **OERLIKON METCO (US) INC.,**
Westbury, NY (US)

(72) Inventor: **Robert F. Savill, Jr.,** Levittown, NY
(US)

(73) Assignee: **OERLIKON METCO (US) INC.,**
Westbury, NY (US)

(**) Term: **15 Years**

(21) Appl. No.: **29/631,966**

(22) Filed: **Jan. 4, 2018**

Related U.S. Application Data

(62) Division of application No. 29/547,958, filed on Dec. 9, 2015, now Pat. No. Des. 817,555.

(51) **LOC (12) Cl.** **30-03**

(52) **U.S. Cl.**
USPC **D30/121**

(58) **Field of Classification Search**

USPC D30/133, 121, 122, 124, 127, 128, 132,
D30/131, 114, 119; 119/51.01, 61, 51.04,
119/53, 57.91, 54, 53.5, 52.4, 51.11, 63,
119/61.2, 52.1, 57.5, 57.6, 51.13, 62, 75,
119/500, 501, 521, 57.92, 59, 51.12, 57.1,
119/56.1, 57; 239/7, 687, 379, 397.5;
222/199, 181.1, 181.2, 185.1, 557, 156,
222/485, 486, 548, 555, 424, 526, 502,
222/503, 196, 413, 564; 220/200, 227,
220/247, 262; 221/174, 185.1, 289, 295,
221/296, 559; 454/35; 209/270, 283,
209/244; 52/194, 192; 49/279, 344, 357;
D34/28; 47/79, 80, 87; 169/26, 29, 30;
D99/5; D3/316; D23/225, 223, 202,
D23/205; D15/13, 28; 141/300; 55/429
CPC A01K 5/0225; A01K 5/00; A01K 5/02;
A01K 5/01; A01K 5/0291; A01K 5/0266;
A01K 5/0275; A01K 5/0283; A01K
39/00; A01K 39/01; A01K 39/0113;
A01K 39/012;

(Continued)

(56) **References Cited**

U.S. PATENT DOCUMENTS

1,385,412 A * 7/1921 Williams F23K 3/00
222/162
2,075,931 A * 4/1937 Eades B01F 15/00954
141/232

(Continued)

FOREIGN PATENT DOCUMENTS

DE 3029501 2/1982
DE 8904538 8/1990

(Continued)

OTHER PUBLICATIONS

Article by T.V. Nguyen entitled *Funnel Flow in Hoppers*, Journal of Applied Mechanics, Dec. 1980, vol. 47, pp. 729-735.

Primary Examiner — Susan Moon Lee

(74) *Attorney, Agent, or Firm* — Greenblum & Bernstein, P.L.C.

(57) **CLAIM**

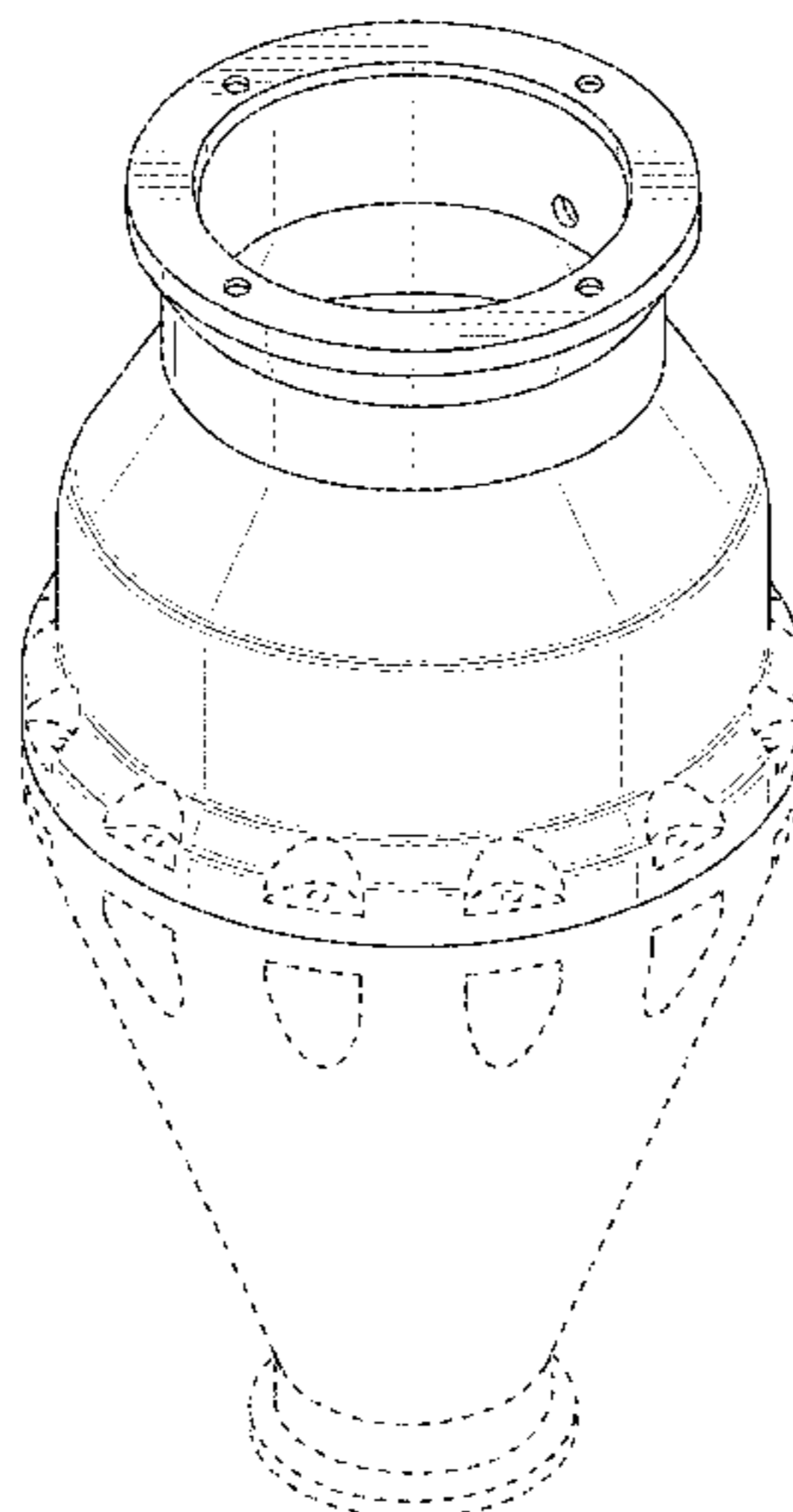
I claim the ornamental design for a hopper, as shown and described.

DESCRIPTION

FIG. 1 shows a side perspective view of a hopper;
FIG. 2 shows a front view thereof;
FIG. 3 shows a top view thereof; and,
FIG. 4 shows a bottom view thereof.

The appearance of any surfaces not shown, such as interior surfaces, form no part of the claimed design. The broken lines depict unclaimed features of the hopper, shown for purposes of illustration, and form no part of the claimed design.

1 Claim, 4 Drawing Sheets



(58) **Field of Classification Search**

CPC A01K 39/0125; A01K 39/014; B28C 7/0046; B65D 90/14; B65D 88/52; B65D 88/30; B65D 88/64; A01C 17/005; A01C 17/006; Y10T 74/19721; Y10T 74/2063; Y10T 137/87997; A01G 9/02; A01G 9/021; B29B 7/603; A61G 17/08; A61G 17/0076; B01J 2208/00761; B01J 2208/00778; B01J 2208/00743; B01J 2208/00752; B01J 2208/00769; B65G 65/4881; B65G 65/489; B65G 53/36; B65G 53/40; F27D 3/10; G01G 13/00; G01G 13/06; G01G 13/006; G01G 13/02; G01G 13/022; G01G 13/024; G01G 13/026; G01G 13/028; G01G 13/24; G01G 13/248; B01F 15/00954

See application file for complete search history.

(56) **References Cited**

U.S. PATENT DOCUMENTS

2,146,409 A * 2/1939 Straub B28C 7/0053
414/293
2,235,617 A * 3/1941 Klinzing A61G 17/08
220/288
D126,964 S * 5/1941 Gill D23/205
3,146,924 A * 9/1964 Cozadd E04G 21/025
222/503
3,261,514 A 7/1966 Haley
D214,130 S 5/1969 Appel
3,664,702 A * 5/1972 Hyde C21C 5/565
294/68.21
3,712,002 A * 1/1973 Hillinger B65D 88/26
52/63
3,715,059 A 2/1973 Hyer
3,716,021 A 2/1973 Fry
3,871,629 A * 3/1975 Hishida B29C 45/1816
366/76.2
3,976,332 A 8/1976 Fabel
3,989,308 A * 11/1976 Zimmermann B65G 53/24
406/23
4,013,321 A 3/1977 Pendleton
4,014,462 A * 3/1977 Robertson B01F 7/00208
222/136
4,025,122 A 5/1977 Diemert
4,087,134 A * 5/1978 Jordan B65G 53/26
406/146
4,108,334 A * 8/1978 Moller B29C 48/286
222/136
D249,967 S 10/1978 Bernes
4,129,233 A 12/1978 Schmader
4,148,100 A * 4/1979 Moller B29C 48/286
366/156.1
4,172,535 A 10/1979 Smith
4,234,049 A * 11/1980 Oliver G01G 13/00
177/105
D258,213 S * 2/1981 Lydford D15/147
4,286,883 A * 9/1981 Johanson B01F 5/246
366/137
4,382,498 A * 5/1983 Glendinning B65G 11/186
193/34
D270,416 S 9/1983 Thrush
4,415,297 A * 11/1983 Boring B65G 53/24
406/168
4,459,028 A * 7/1984 Bruder B01F 5/241
141/83
4,560,285 A * 12/1985 Fisher B01F 3/18
366/341
4,561,808 A 12/1985 Spaulding
4,582,254 A 4/1986 Rotolico
4,629,410 A * 12/1986 Hehl B29C 45/1858
222/144.5

4,702,364 A * 10/1987 Johanneck B65G 11/186
193/14
4,729,772 A 3/1988 Asanuma
D298,946 S * 12/1988 Schave D15/13
D303,265 S * 9/1989 Miyoshi D15/122
4,863,076 A 9/1989 Anderson
4,900,199 A 2/1990 Spaulding
4,923,304 A * 5/1990 Jackson B01F 5/24
222/459
4,958,741 A * 9/1990 Johanson B65D 88/28
220/DIG. 13
5,096,302 A * 3/1992 Durina B29C 31/02
366/76.92
5,123,749 A * 6/1992 Avery, Jr. B01F 5/242
366/341
5,248,197 A * 9/1993 Storf B01F 5/24
222/564
5,344,232 A * 9/1994 Nelson A61B 17/8822
141/23
5,527,107 A * 6/1996 Weibel B01F 3/18
366/141
5,575,596 A * 11/1996 Bauer B65G 53/24
406/168
D376,954 S 12/1996 Burns
5,599,101 A * 2/1997 Pardikes B01F 3/1228
366/165.1
5,651,479 A * 7/1997 Bates B65D 88/28
222/196
5,824,210 A 10/1998 Kuryluk
D403,555 S 1/1999 Burns
5,868,494 A * 2/1999 Campbell B01F 9/02
366/232
D407,949 S 4/1999 Henry
6,051,070 A * 4/2000 Sunter A21C 9/04
118/13
6,102,562 A * 8/2000 Bengtson B01F 5/246
193/2 R
D440,024 S * 4/2001 Robinson D99/5
D460,019 S 7/2002 Thimm
6,494,612 B2 * 12/2002 Johanson B01F 5/24
366/228
6,561,446 B2 5/2003 Okabe
6,568,613 B1 5/2003 Gloor
D479,380 S * 9/2003 Robinson D99/5
D479,640 S * 9/2003 Robinson D99/5
6,648,163 B2 11/2003 Porter
D491,696 S 6/2004 Cole
D493,664 S 8/2004 Siegel
D594,285 S 6/2009 Merey
D605,502 S 12/2009 Honda
D620,556 S 7/2010 Hillhouse
D628,883 S 12/2010 Stephens
D636,946 S 4/2011 Able
D648,492 S 11/2011 Able
D653,011 S * 1/2012 Myers D99/5
D667,604 S * 9/2012 Khan D99/5
D673,586 S * 1/2013 Truan D15/13
D674,689 S 1/2013 Chen
D685,631 S 7/2013 Rapparini
D704,902 S 5/2014 Wu
D719,714 S * 12/2014 Khan D99/5
D721,860 S 1/2015 Parks
D726,006 S 4/2015 Rapparini
D728,865 S 5/2015 Tsengas
D732,689 S * 6/2015 Carter D25/14
D741,024 S 10/2015 Liu
D742,428 S * 11/2015 Barry D15/28
D745,764 S * 12/2015 Jennings D99/5
D772,520 S * 11/2016 Jennings D99/5
D787,149 S * 5/2017 Bhandula D99/5
D805,715 S * 12/2017 Bhandula D99/5
D817,555 S * 5/2018 Savill, Jr. D30/121
10,138,075 B2 * 11/2018 Maguire B65G 53/24
D841,927 S * 2/2019 Jennings D99/5
2006/0011141 A1 1/2006 Bird
2009/0255475 A1 10/2009 Black
2010/0077963 A1 4/2010 Lipscomb

(56)

References Cited

U.S. PATENT DOCUMENTS

2010/0083905 A1* 4/2010 Robbins, III A01K 5/01
119/52.1
2013/0004247 A1* 1/2013 Reece B65D 88/64
406/136
2014/0116837 A1 5/2014 Marchesini
2014/0166438 A1* 6/2014 Mikulec G01G 11/086
198/524
2014/0251212 A1 9/2014 Tokyo
2014/0326755 A1 11/2014 Swan
2015/0290607 A1* 10/2015 Tolle B01F 7/00133
366/199
2016/0346745 A1* 12/2016 Mothersbaugh B01F 5/10
2018/0099253 A1* 4/2018 Maguire B65G 53/24
2018/0281002 A1* 10/2018 Cotler B65D 88/66
2019/0084780 A1* 3/2019 Maguire B65G 53/24

FOREIGN PATENT DOCUMENTS

JP 2000-198539 7/2000
JP 2005-040681 2/2005
WO WO 00/17070 3/2000

* cited by examiner

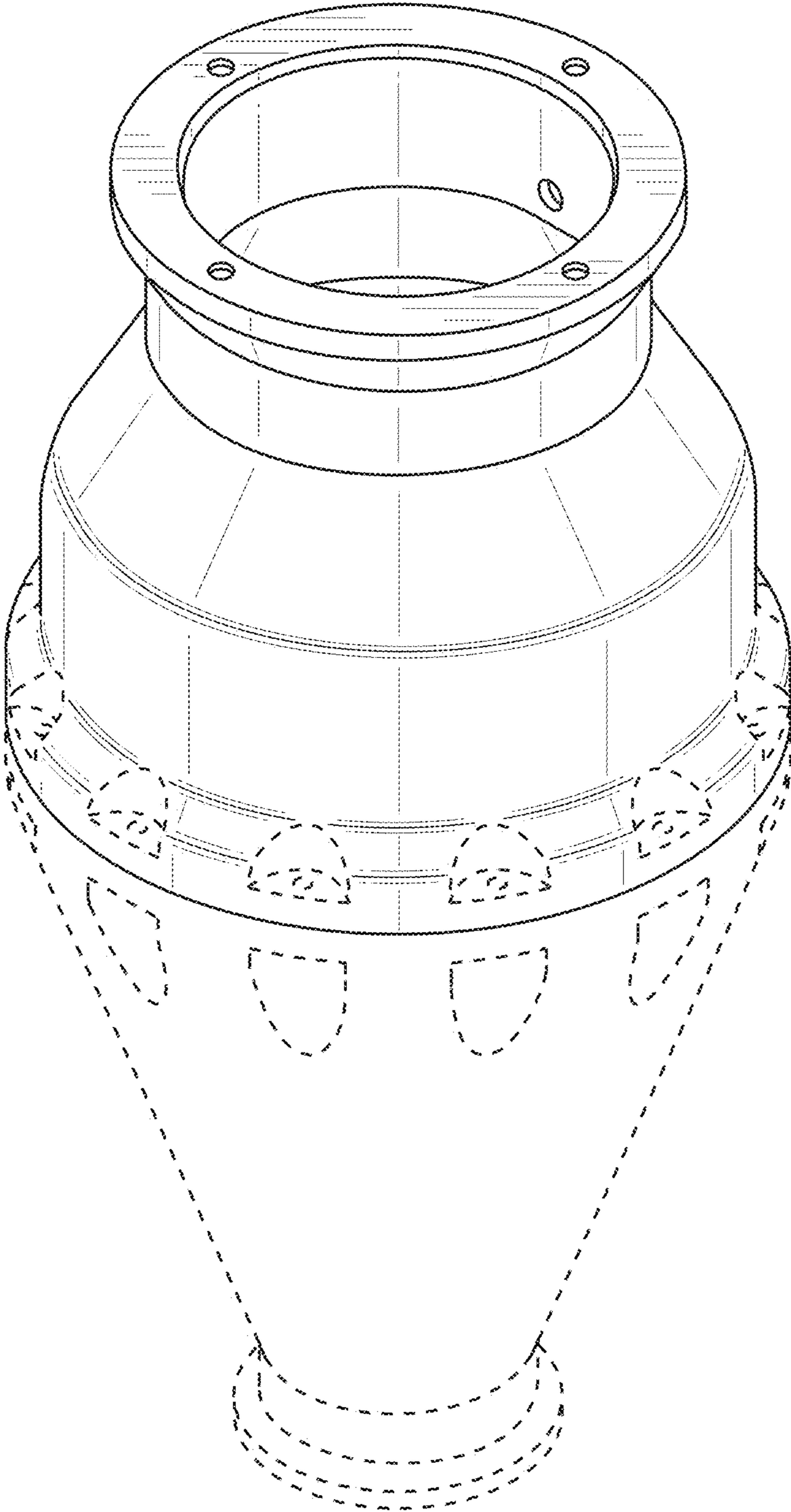


FIG. 1

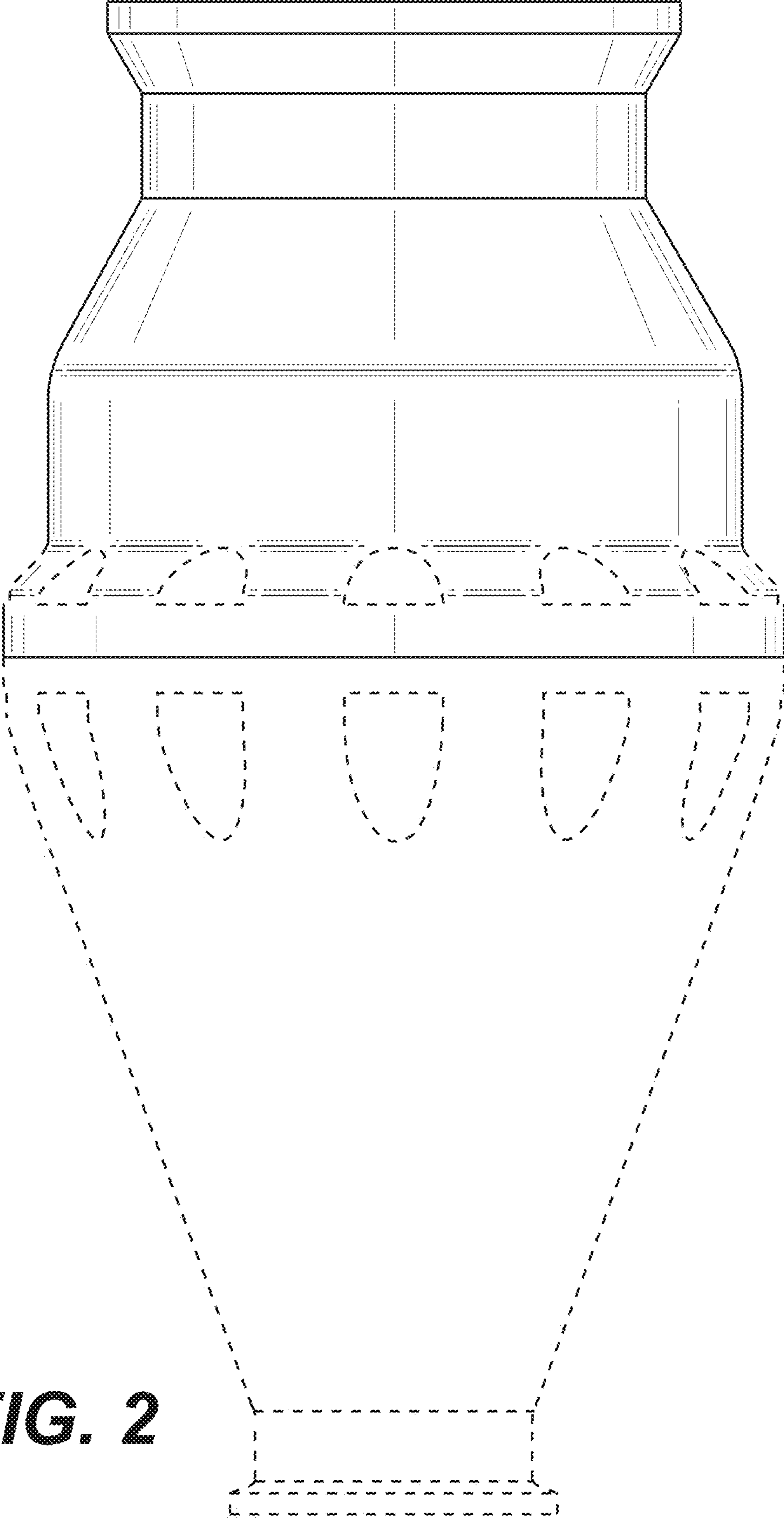


FIG. 2

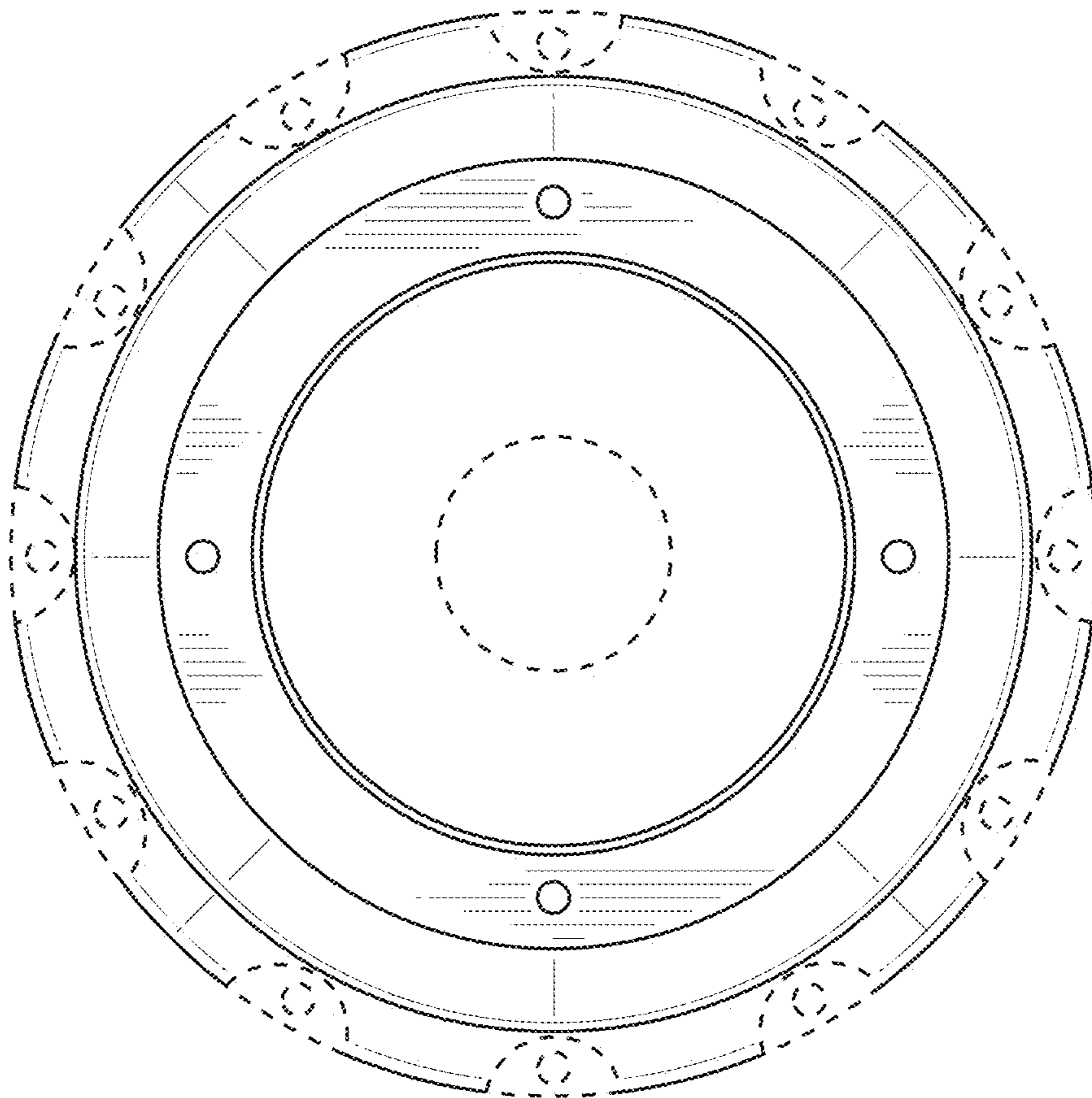


FIG. 3

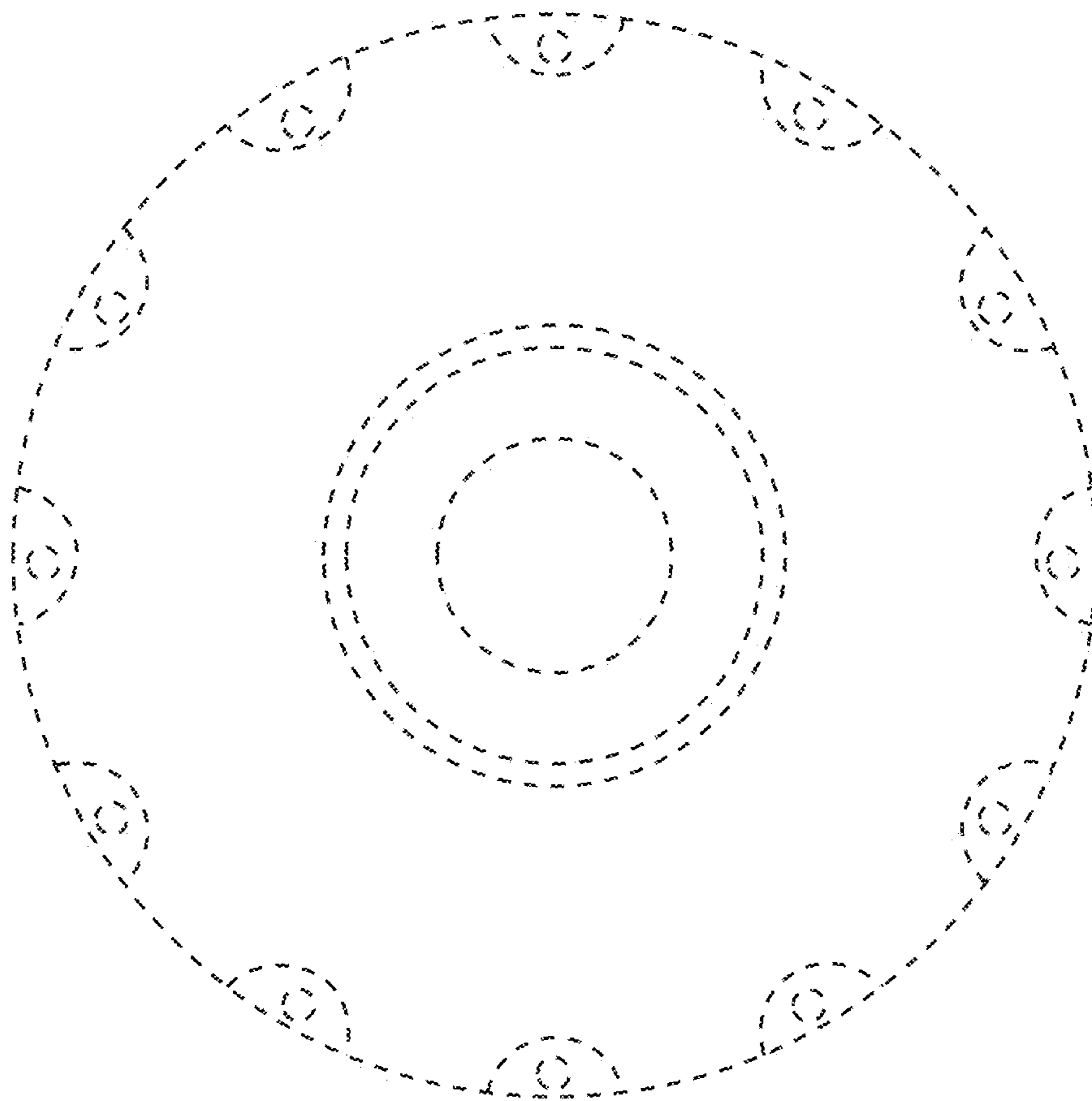


FIG. 4