



US00D885680S

(12) **United States Design Patent**
Jia et al.

(10) **Patent No.:** **US D885,680 S**

(45) **Date of Patent:** **** May 26, 2020**

(54) **WELDING MASK**

(56) **References Cited**

(71) Applicant: **JIANGSU MEIXIN OPTOELECTRONICS TECHNOLOGY CO., LTD.**, Nantong (CN)

U.S. PATENT DOCUMENTS

D585,604 S *	1/2009	Martin	D29/110
D586,956 S *	2/2009	Huh	D29/110
D793,007 S *	7/2017	Yang	D29/110
D793,626 S *	8/2017	Yang	D29/110
D796,118 S *	8/2017	Yang	D29/110

(72) Inventors: **Weidong Jia**, Nantong (CN); **Dandan Tang**, Nantong (CN)

* cited by examiner

(73) Assignee: **JIANGSU MEIXIN OPTOELECTRONICS TECHNOLOGY CO., LTD.**, Nantong (CN)

Primary Examiner — Robert A Delehanty
(74) *Attorney, Agent, or Firm* — Law Offices of Steven W. Weinrieb

(**) Term: **15 Years**

(57) **CLAIM**

The ornamental design for a welding mask, as shown and described.

(21) Appl. No.: **29/678,262**

DESCRIPTION

(22) Filed: **Jan. 28, 2019**

(51) **LOC (12) Cl.** **29-02**

(52) **U.S. Cl.**
USPC **D29/110**

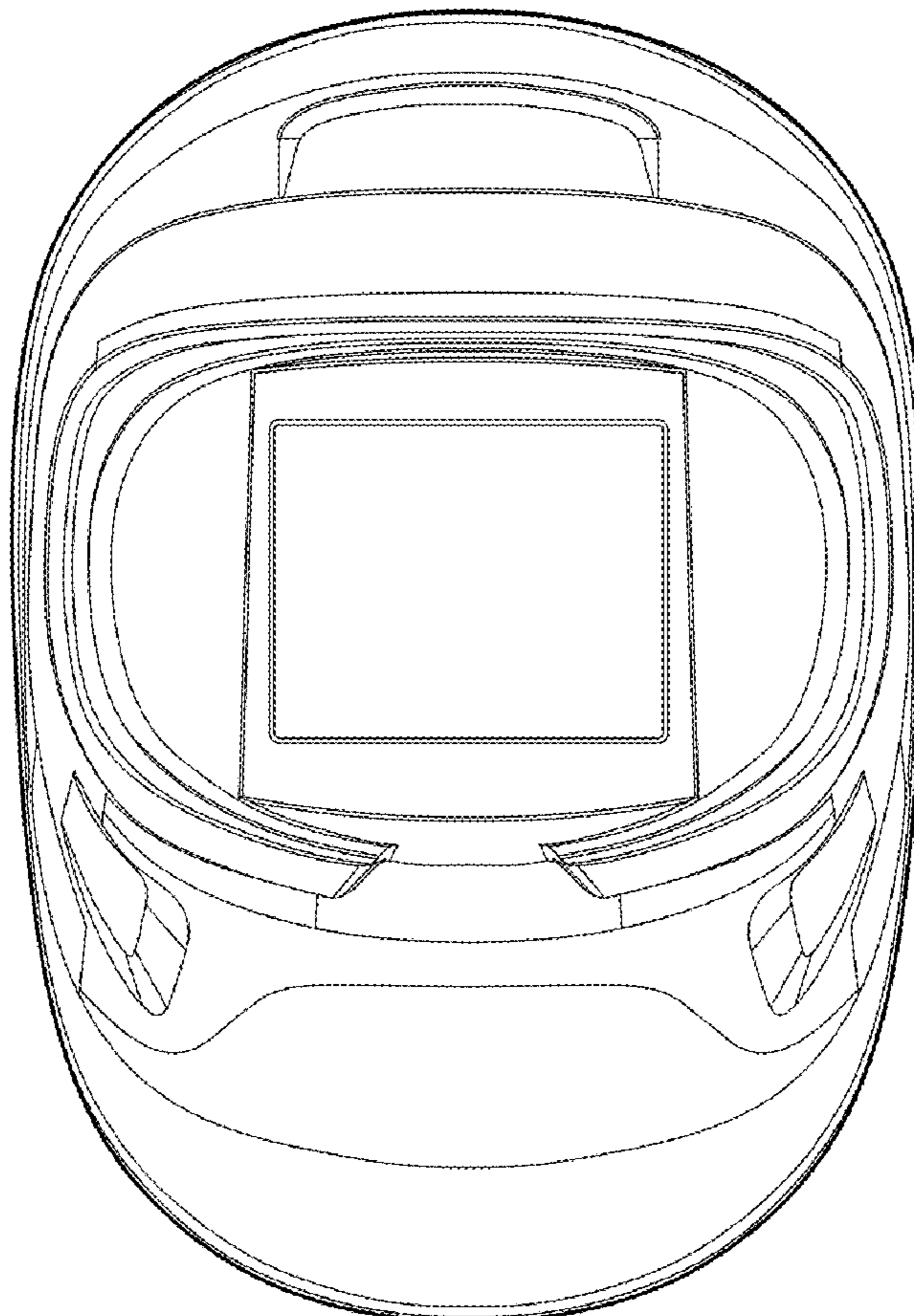
(58) **Field of Classification Search**
USPC D29/105–107, 110, 122;
D24/110.1–110.3

FIG. 1 is a front elevational view showing my new design for a welding mask;
FIG. 2 is a rear elevational view thereof;
FIG. 3 is a left side elevational view thereof;
FIG. 4 is a right side elevational view thereof;
FIG. 5 is a top plan view thereof; and,
FIG. 6 is a bottom plan view thereof.

The broken lines depict portions of the welding mask which form no part of the claimed design.

See application file for complete search history.

1 Claim, 6 Drawing Sheets



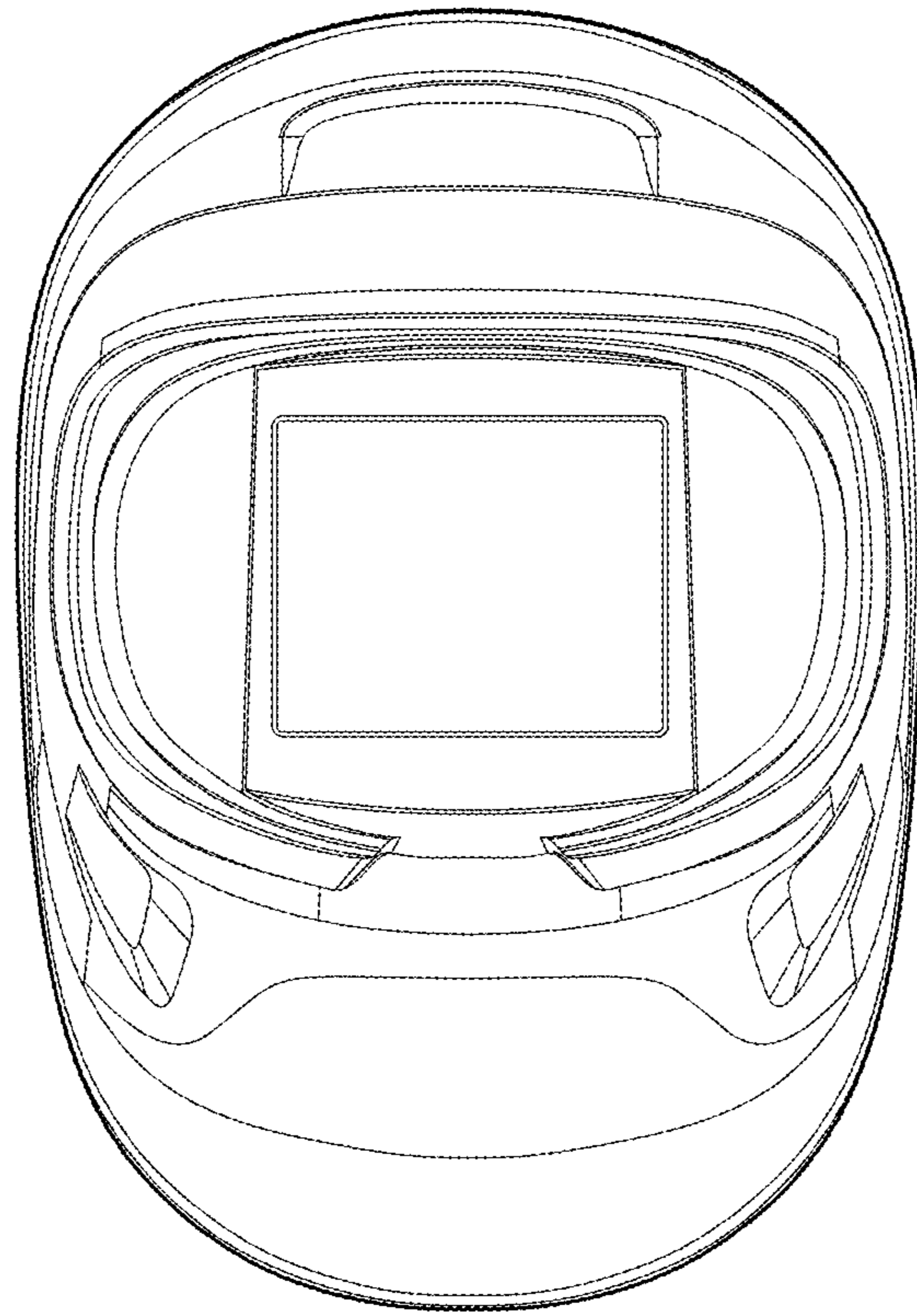


FIG. 1

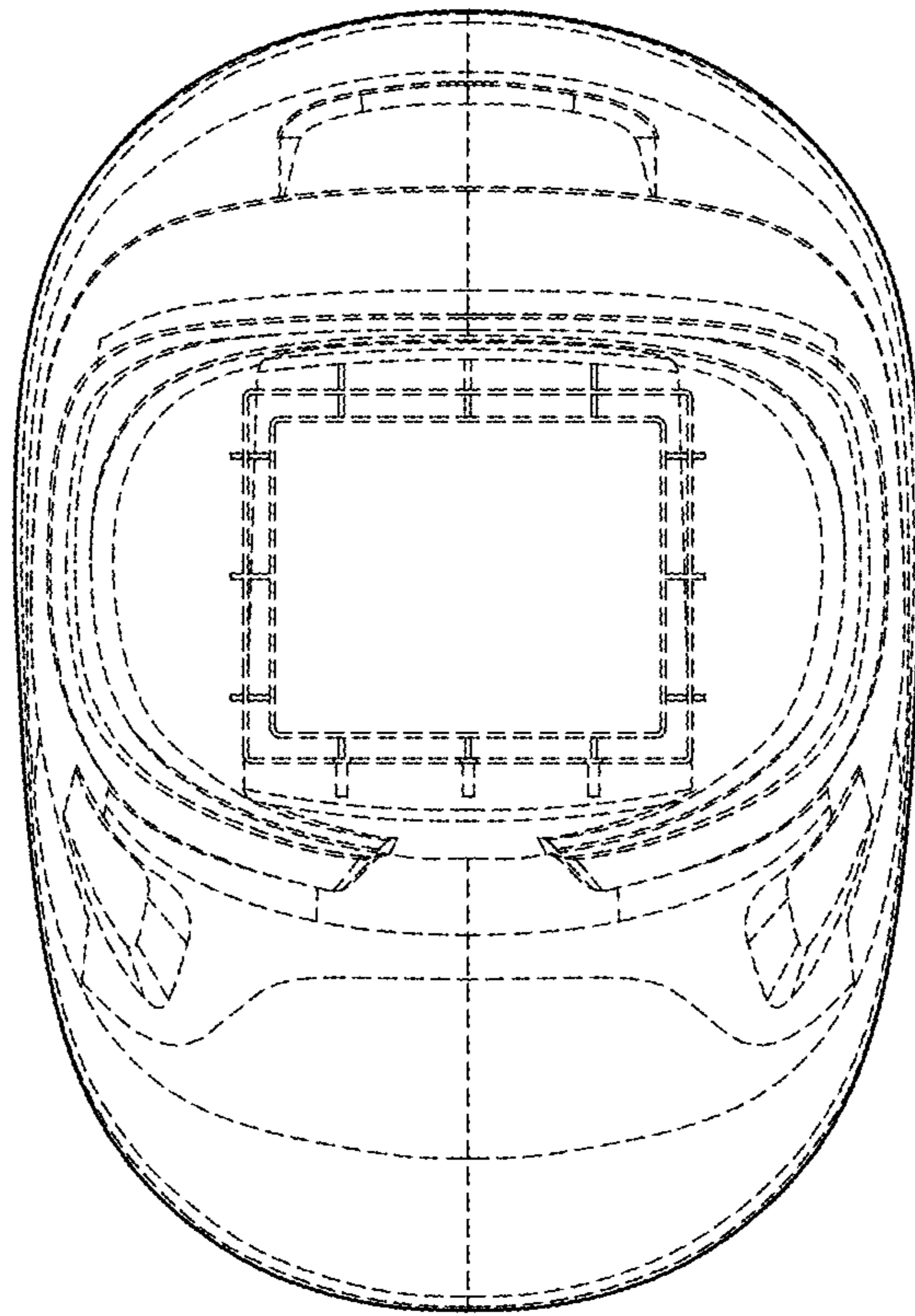


FIG. 2

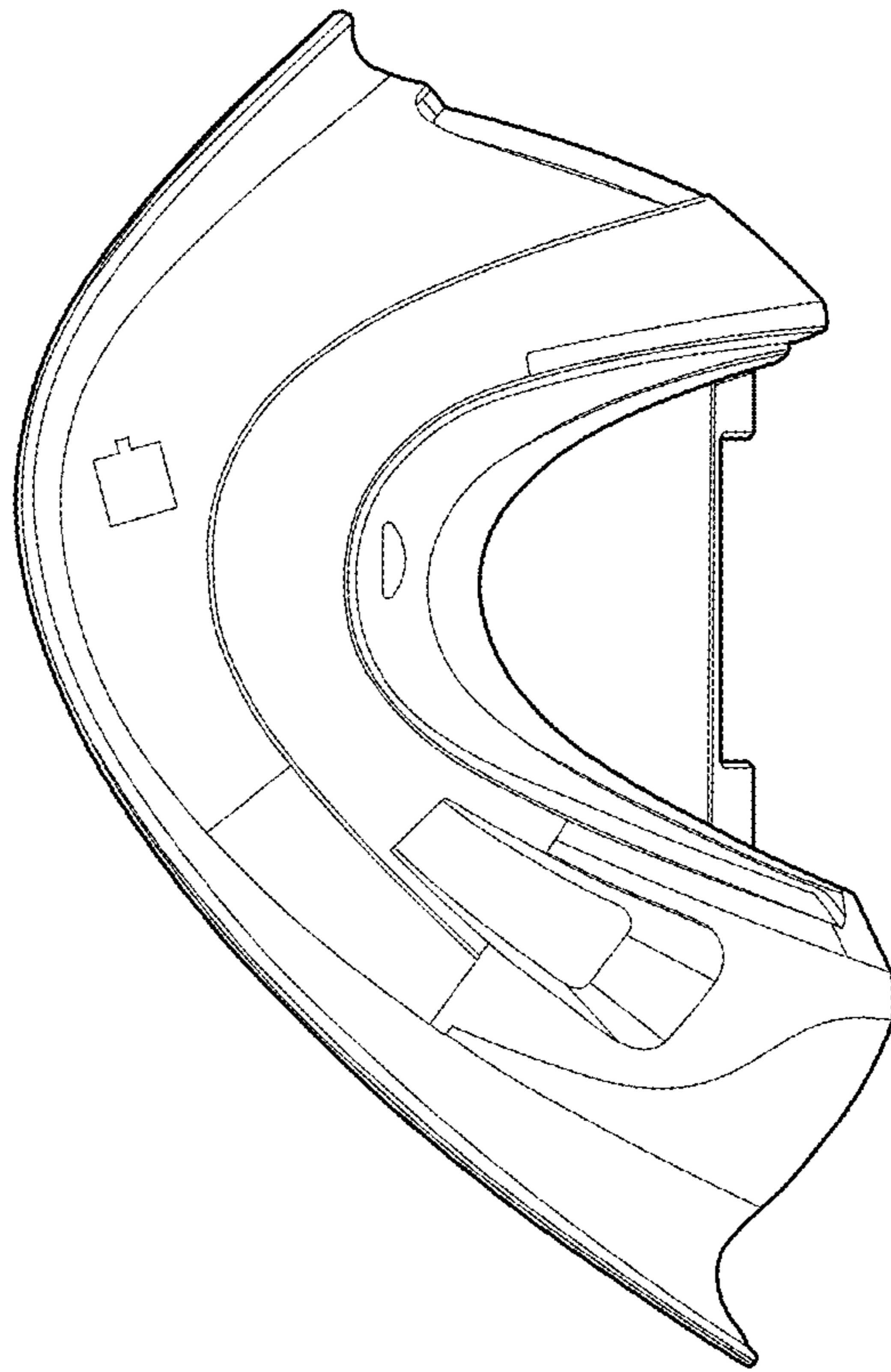


FIG. 3

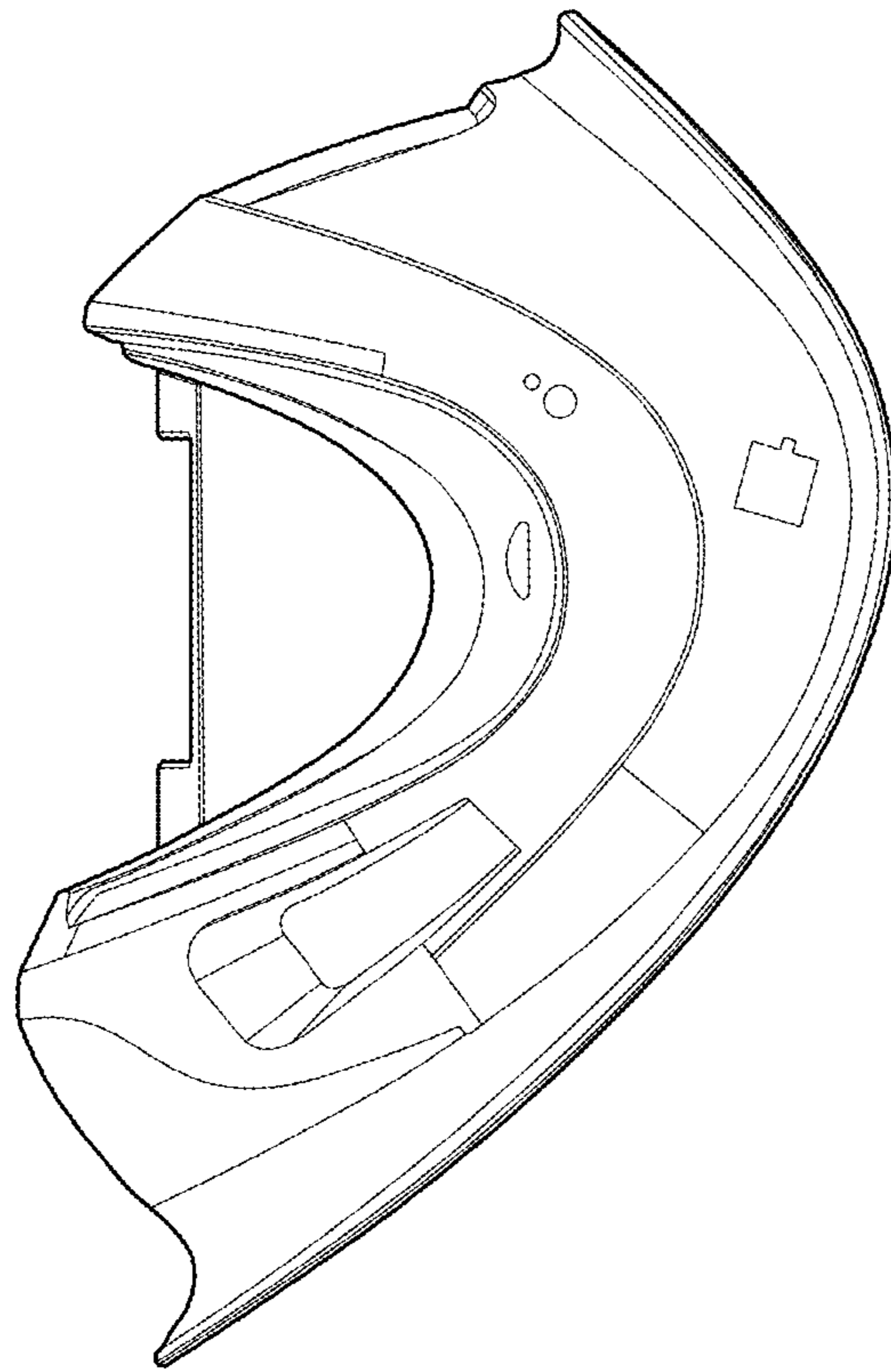


FIG. 4

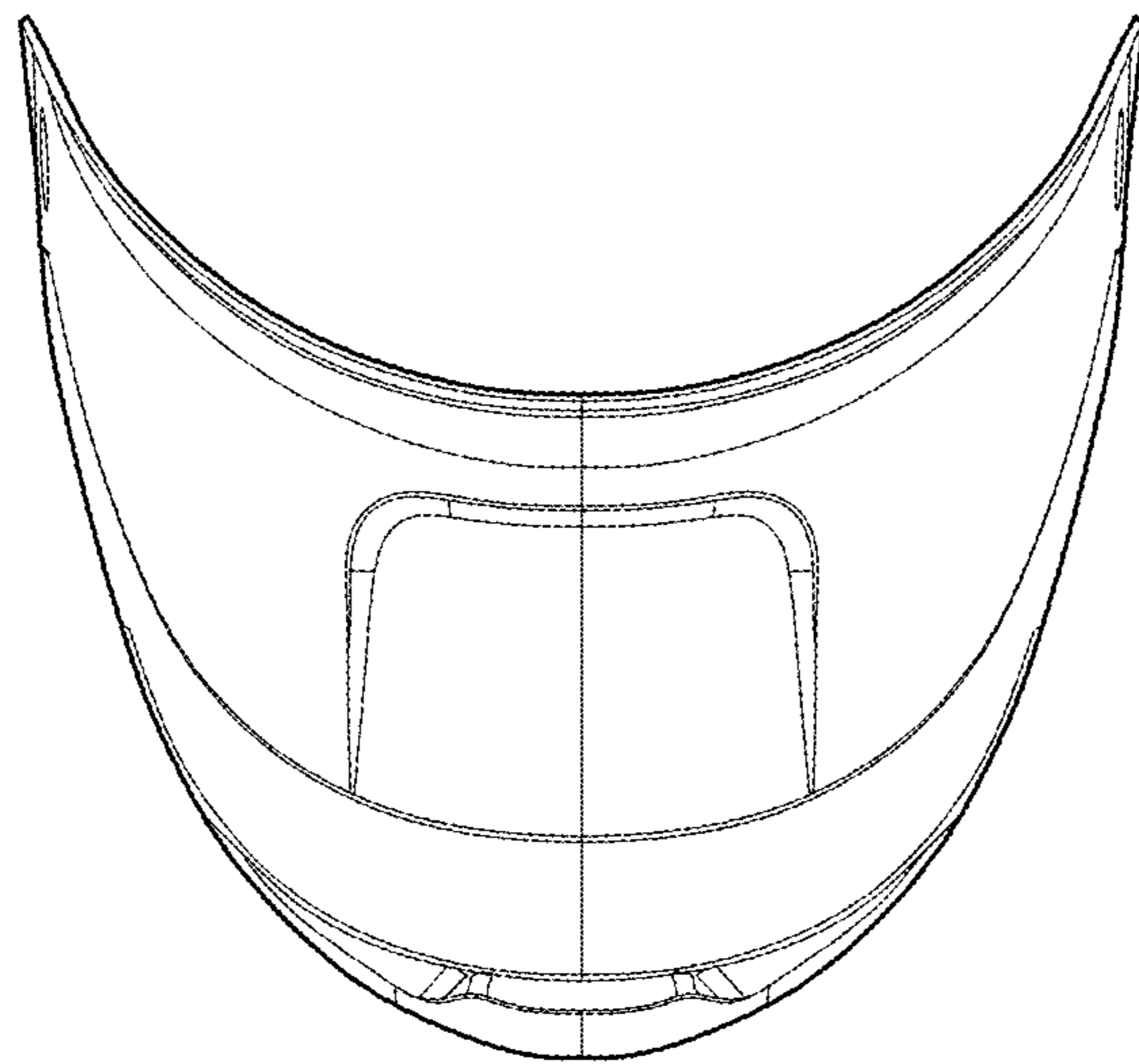


FIG. 5

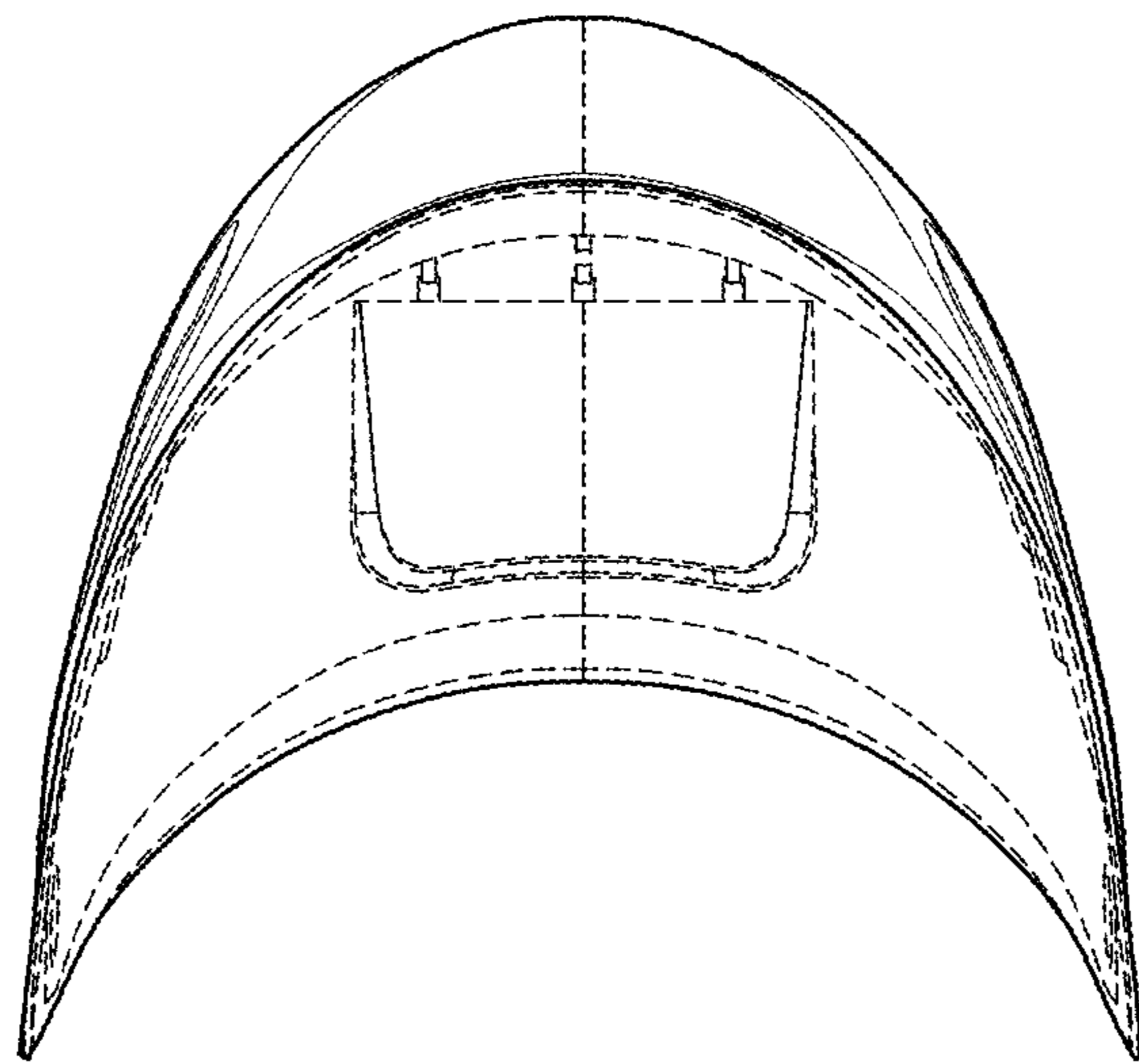


FIG. 6