



US00D885678S

(12) **United States Design Patent** (10) **Patent No.:** **US D885,678 S**  
**Jia et al.** (45) **Date of Patent:** **\*\* May 26, 2020**

(54) **WELDING MASK**

(71) Applicant: **JIANGSU MEIXIN OPTOELECTRONICS TECHNOLOGY CO., LTD.**, Nantong (CN)

(72) Inventors: **Weidong Jia**, Nantong (CN); **Dandan Tang**, Nantong (CN)

(73) Assignee: **JIANGSU MEIXIN OPTOELECTRONICS TECHNOLOGY CO., LTD.**, Nantong (CN)

(\*\*) Term: **15 Years**

(21) Appl. No.: **29/678,222**

(22) Filed: **Jan. 27, 2019**

(51) **LOC (12) Cl.** ..... **29-02**

(52) **U.S. Cl.**  
USPC ..... **D29/110**

(58) **Field of Classification Search**  
USPC ..... D29/105–107, 110, 122;  
D24/110.1–110.3  
See application file for complete search history.

(56) **References Cited**

**U.S. PATENT DOCUMENTS**

D344,160 S \* 2/1994 Boza ..... D29/107  
D434,493 S \* 11/2000 Fecteau ..... D24/110.1

D473,299 S \* 4/2003 Fecteau ..... D24/110.1  
D654,224 S \* 2/2012 Wu ..... D29/110  
D742,075 S \* 10/2015 Zhou ..... D29/110  
D775,427 S \* 12/2016 Zhou ..... D29/110  
D793,007 S \* 7/2017 Yang ..... D29/110  
D857,304 S \* 8/2019 Yang ..... D29/110  
2015/0359286 A1 \* 12/2015 Sommers ..... A42B 3/145  
2/417

\* cited by examiner

*Primary Examiner* — Robert A Delehanty

(74) *Attorney, Agent, or Firm* — Law Offices of Steven W. Weinrieb

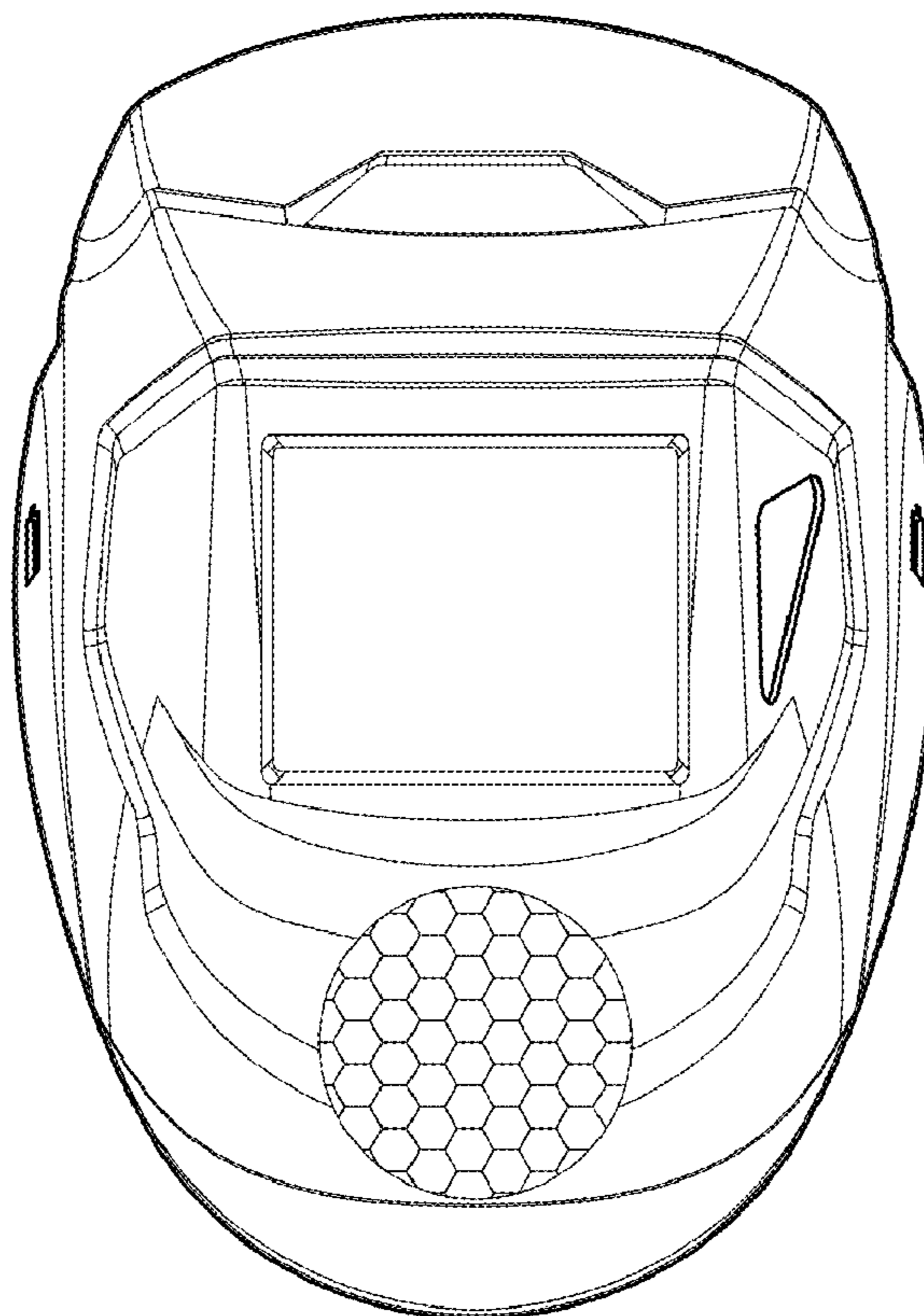
(57) **CLAIM**

The ornamental design for a welding mask, as shown and described.

**DESCRIPTION**

FIG. 1 is a front elevational view showing our new design for a welding mask;  
FIG. 2 is a rear elevational view thereof;  
FIG. 3 is a left side elevational view thereof;  
FIG. 4 is a right side elevational view thereof;  
FIG. 5 is a top plan view thereof; and,  
FIG. 6 is a bottom plan view thereof.  
The broken lines depict portions of the welding mask which form no part of the claimed design.

**1 Claim, 6 Drawing Sheets**



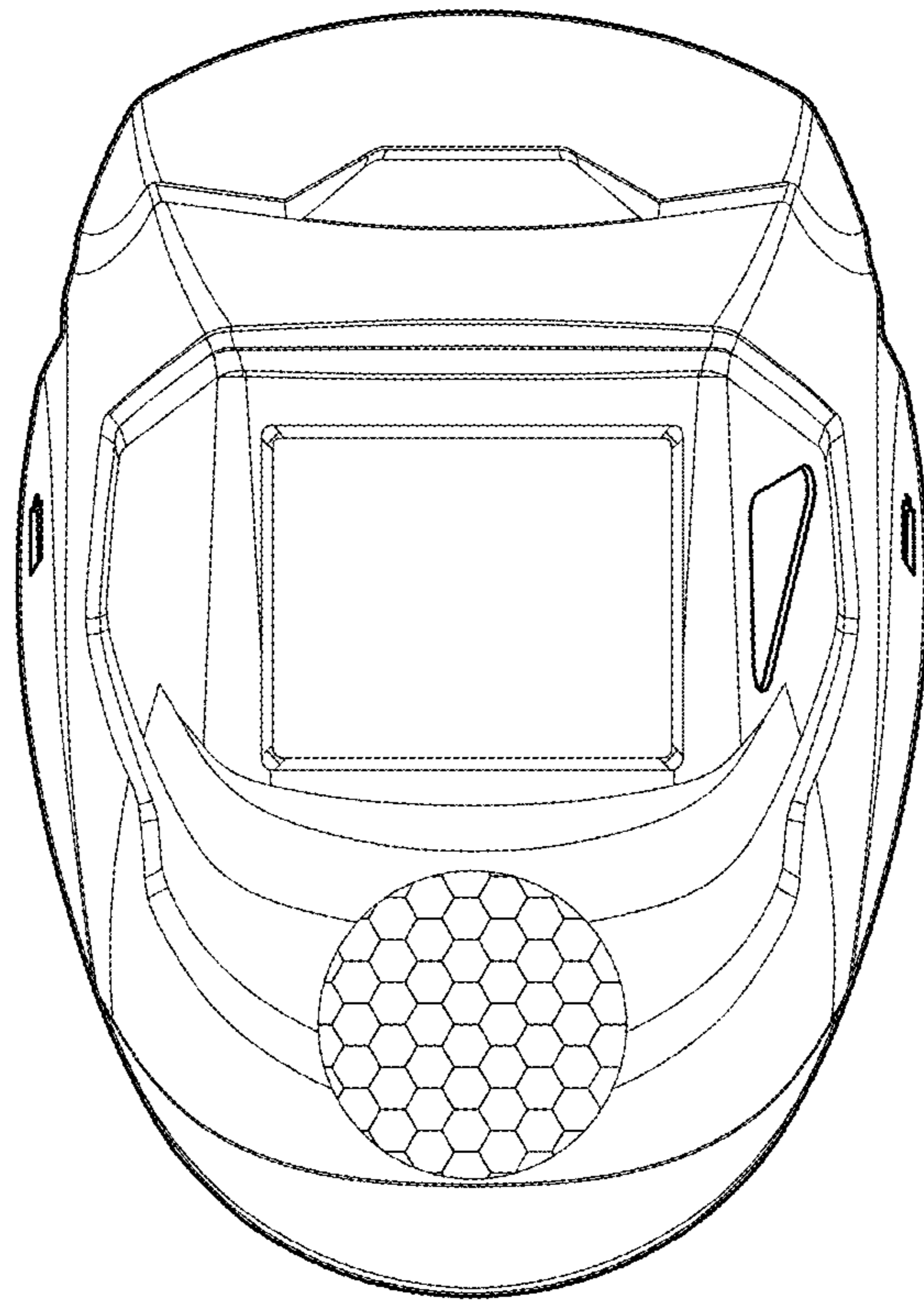


FIG. 1

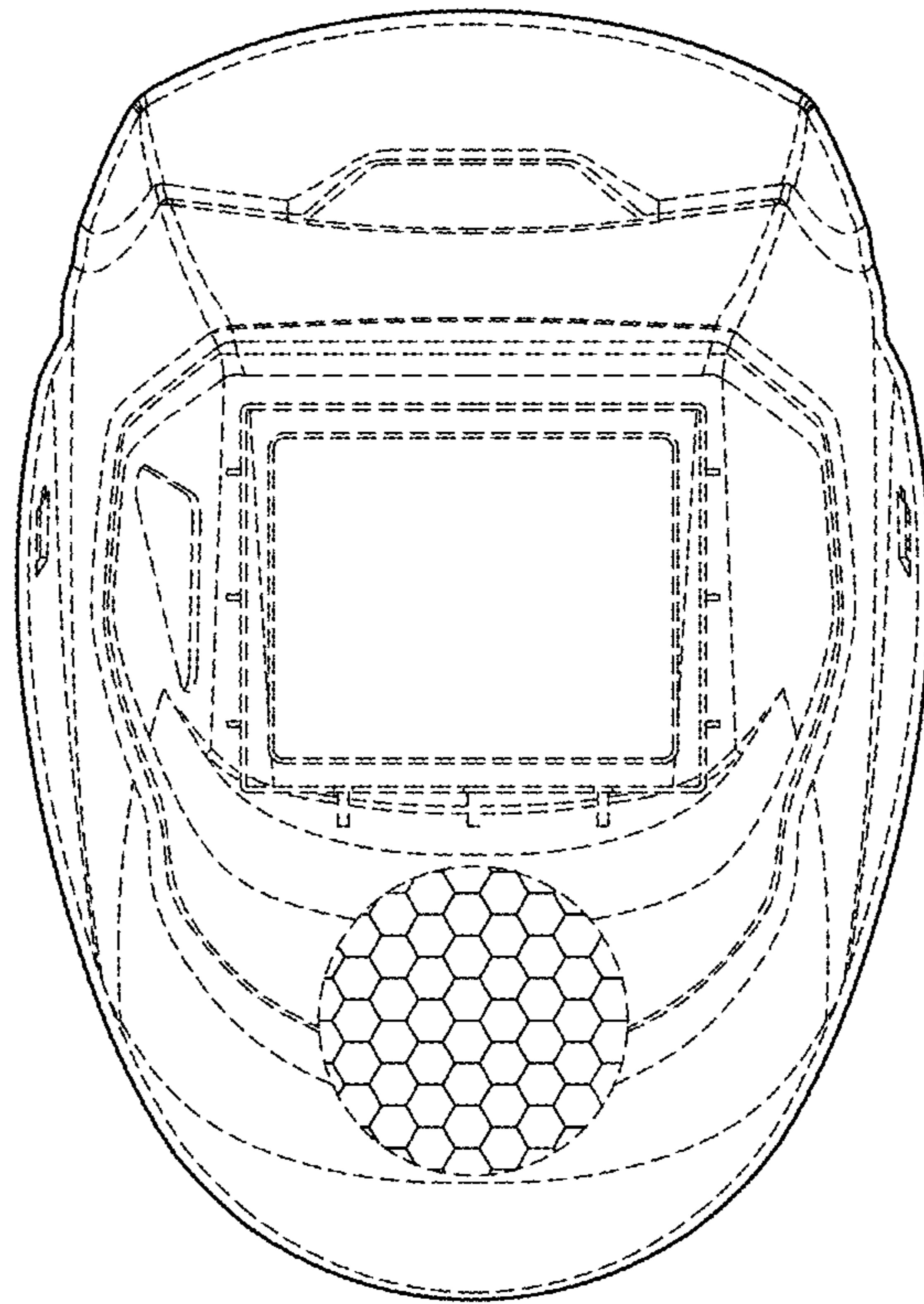


FIG. 2

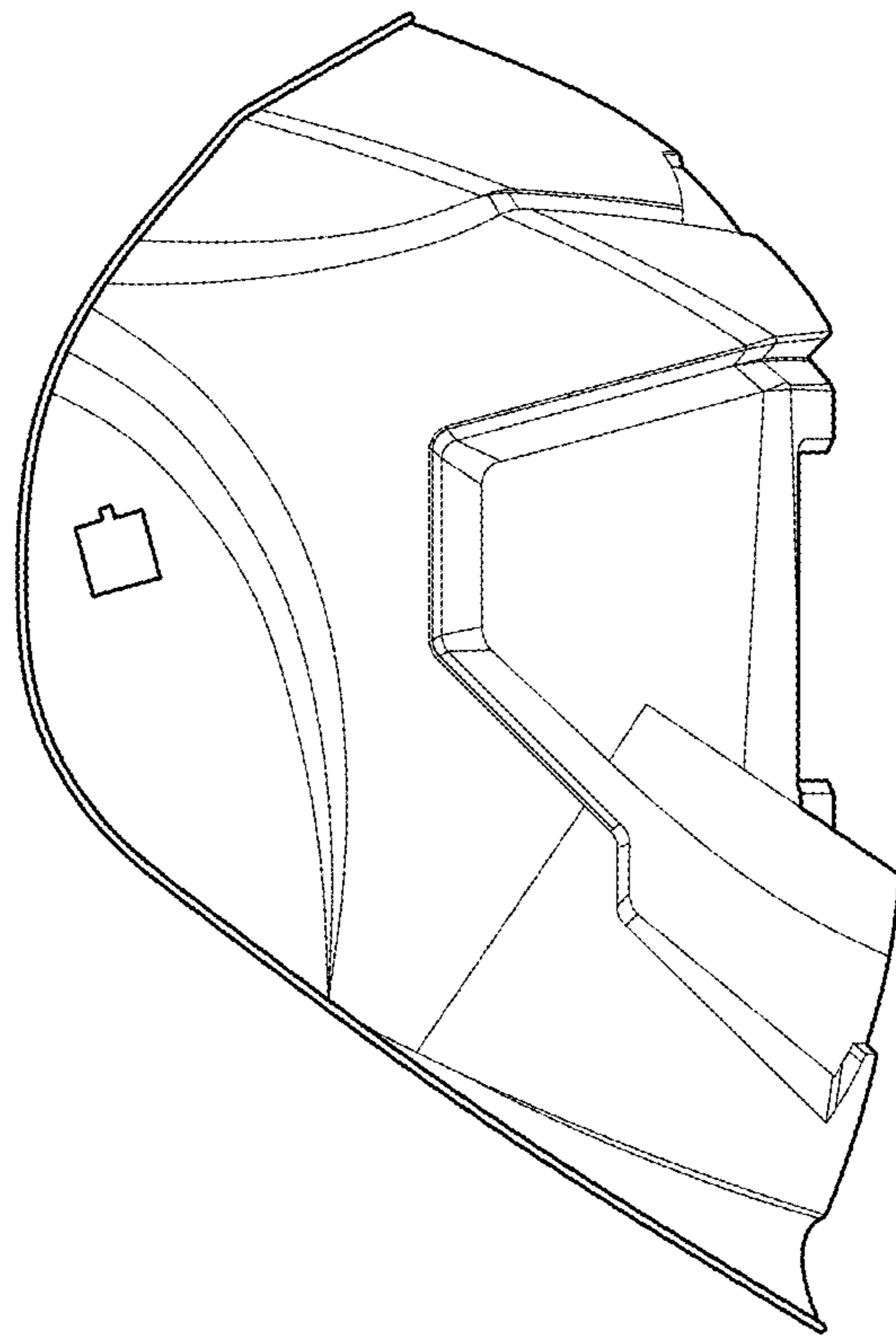


FIG. 3

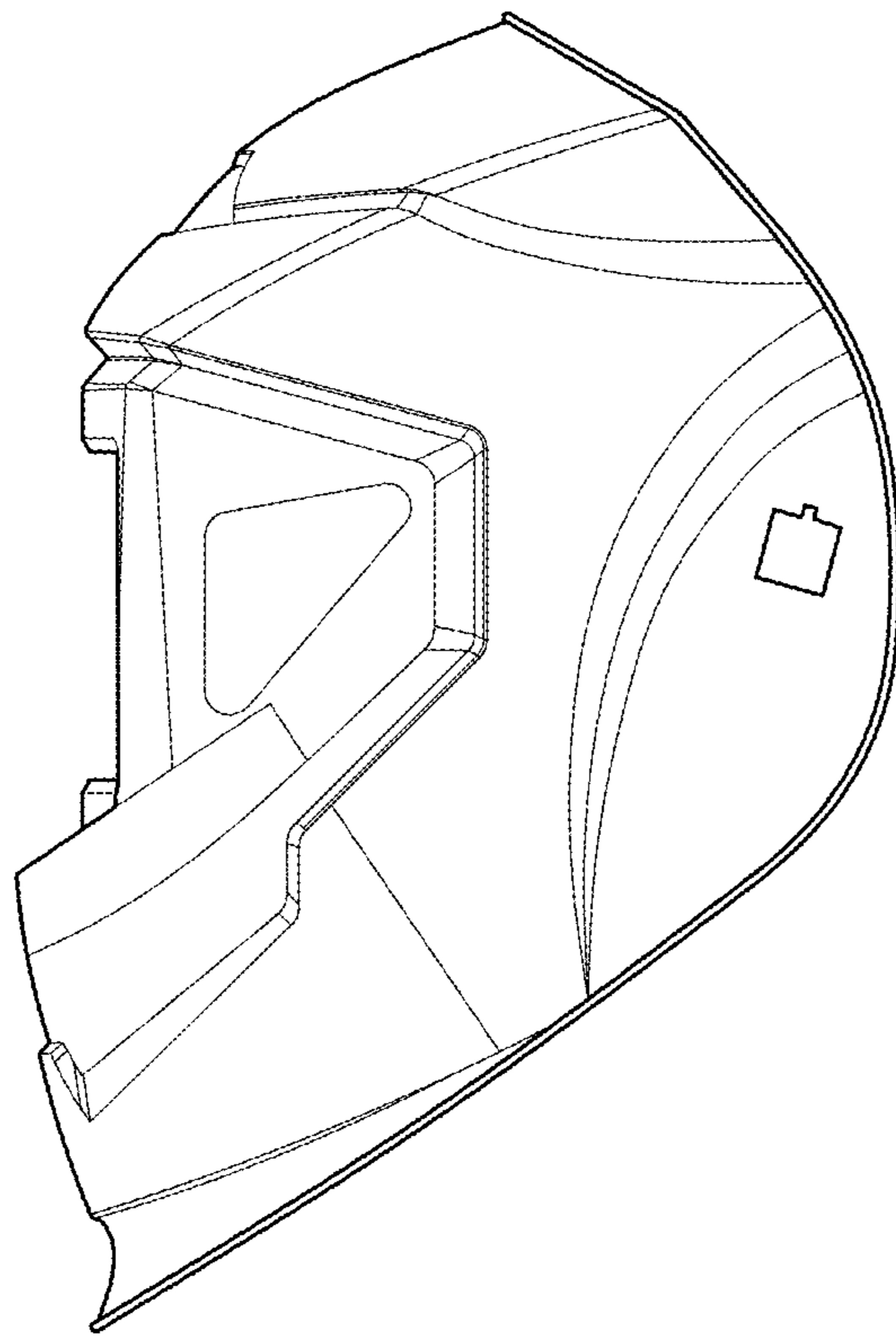


FIG. 4

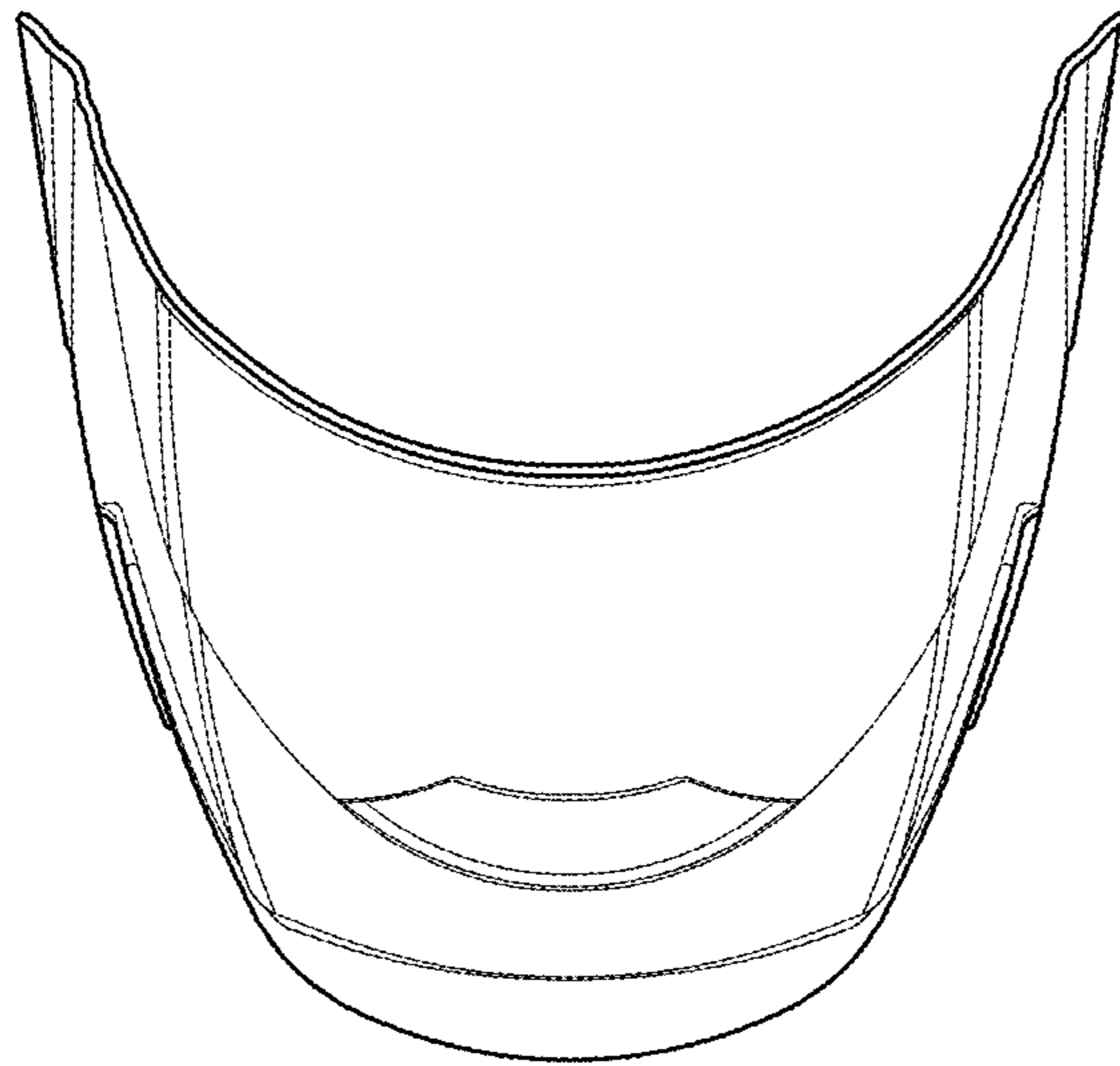


FIG. 5

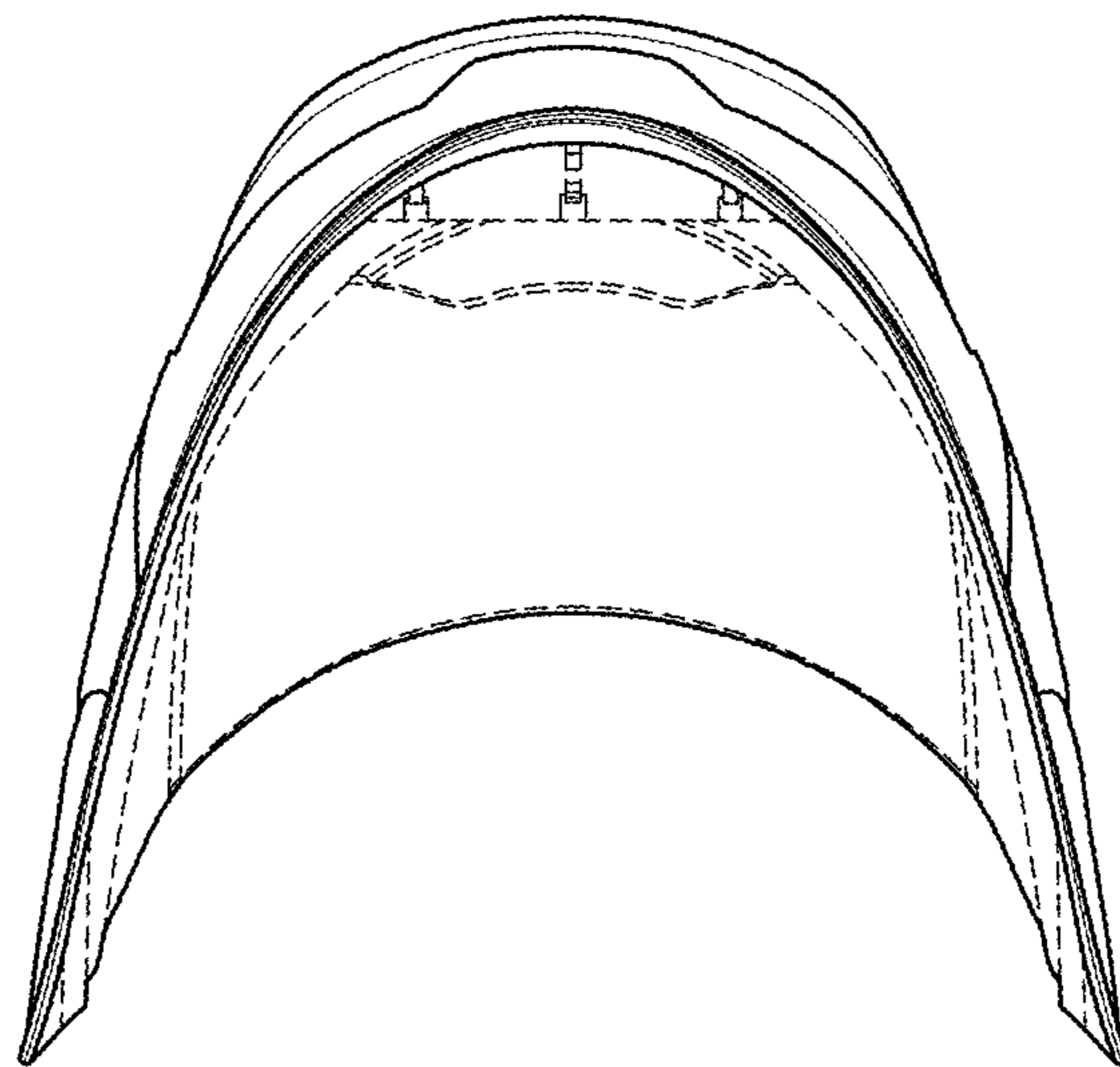


FIG. 6