



US00D885675S

(12) **United States Design Patent**
Nordean

(10) **Patent No.:** **US D885,675 S**
(45) **Date of Patent:** **** May 26, 2020**

- (54) **PACKAGING FOR EYELASHES**
- (71) Applicant: **Michelle Nordean**, Phoenix, AZ (US)
- (72) Inventor: **Michelle Nordean**, Phoenix, AZ (US)
- (**) Term: **15 Years**
- (21) Appl. No.: **29/673,918**
- (22) Filed: **Dec. 18, 2018**

- D650,557 S * 12/2011 Gonzalez D1/102
- D683,498 S * 5/2013 Ghiotti D27/186
- D685,771 S * 7/2013 Bertenthal D14/223
- 8,557,323 B2 * 10/2013 Stawski A23G 3/34
426/660
- D713,598 S * 9/2014 Ghiotti D27/186
- D746,698 S * 1/2016 Akana D9/715
- D788,372 S * 5/2017 Reed D28/82
- D802,836 S * 11/2017 Ghiotti D27/186
- D804,721 S * 12/2017 Ghiotti D27/186
- D829,381 S * 9/2018 Kim D28/93
- D860,943 S * 9/2019 Xie D13/119
- D861,475 S * 10/2019 Giwani D9/418

(Continued)

Related U.S. Application Data

- (63) Continuation-in-part of application No. 29/601,747, filed on Apr. 26, 2017, now abandoned.
- (51) **LOC (12) Cl.** **28-04**
- (52) **U.S. Cl.**
USPC **D28/93**
- (58) **Field of Classification Search**
USPC D28/39, 40, 41, 42, 43, 82, 92, 93
CPC A41G 3/00; A41G 3/0008; A41G 3/0033;
A41G 3/0041; A41G 5/00; A41G 5/0006;
A41G 5/004; A41G 5/0046; A41G
5/0053; A41G 5/006; A41G 5/0073;
A41G 5/008; A41G 5/0093; A41G 5/02;
A47F 7/06; A47F 7/065; A45D 44/14;
A45D 8/00; A45D 8/02; A45D 8/18;
A45D 8/20; A45D 8/27; A45D 2002/003;
A45D 2002/005
See application file for complete search history.

(56) **References Cited**

U.S. PATENT DOCUMENTS

- 1,593,858 A * 7/1926 Venable A23G 9/503
294/5.5
- 5,634,885 A * 6/1997 Kiro A61B 13/00
426/134
- 6,054,159 A * 4/2000 Manzone A23G 3/50
248/539
- D637,903 S * 5/2011 Ghiotti D9/428
- D644,407 S * 9/2011 Rader D1/104

OTHER PUBLICATIONS

Lash Pop Shop False Lashes, posted Mar. 20, 2017 [online] 00:50, retrieved Sep. 12, 2018, retrieved from internet, <https://www.youtube.com/watch?v=XxPHSh8_UXI>.

Primary Examiner — Michelle E. Wilson
Assistant Examiner — Messina L Smith

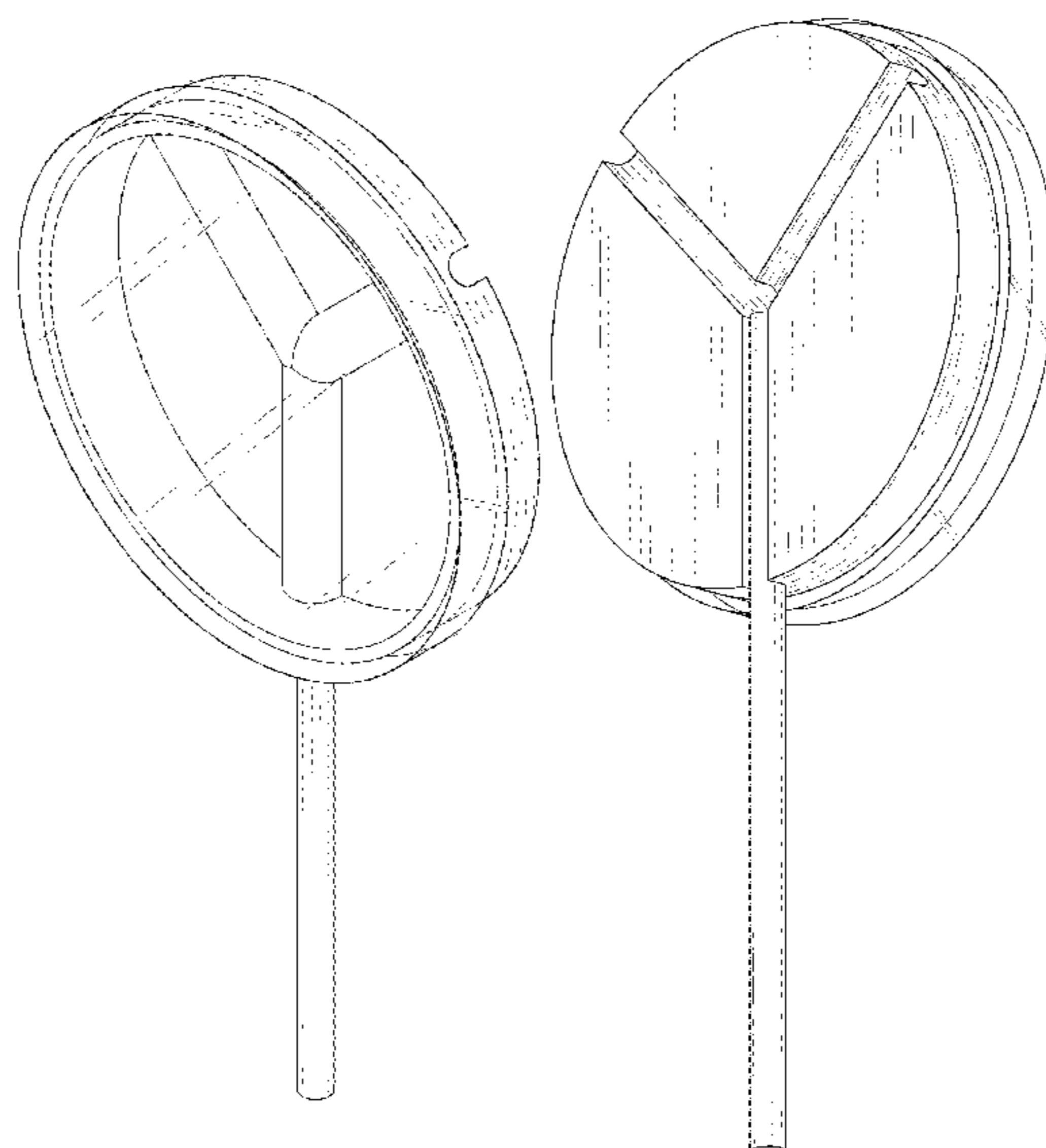
(57) **CLAIM**

The ornamental design for a packaging for eyelashes, as shown and described.

DESCRIPTION

FIG. 1 is a top front perspective view of a packaging for eyelashes showing my new design;
FIG. 2 is a bottom rear perspective view thereof;
FIG. 3 is a front view thereof;
FIG. 4 is a rear view thereof;
FIG. 5 is a right side view thereof;
FIG. 6 is a left side view thereof;
FIG. 7 is a top view thereof; and,
FIG. 8 is a bottom view thereof.
The broken lines shown in the drawings depict portions of the packaging for eyelashes that form no part of the claimed design.

1 Claim, 8 Drawing Sheets



(56)

References Cited

U.S. PATENT DOCUMENTS

2003/0163149 A1 * 8/2003 Heisinger, Jr. A23G 1/30
606/161

* cited by examiner

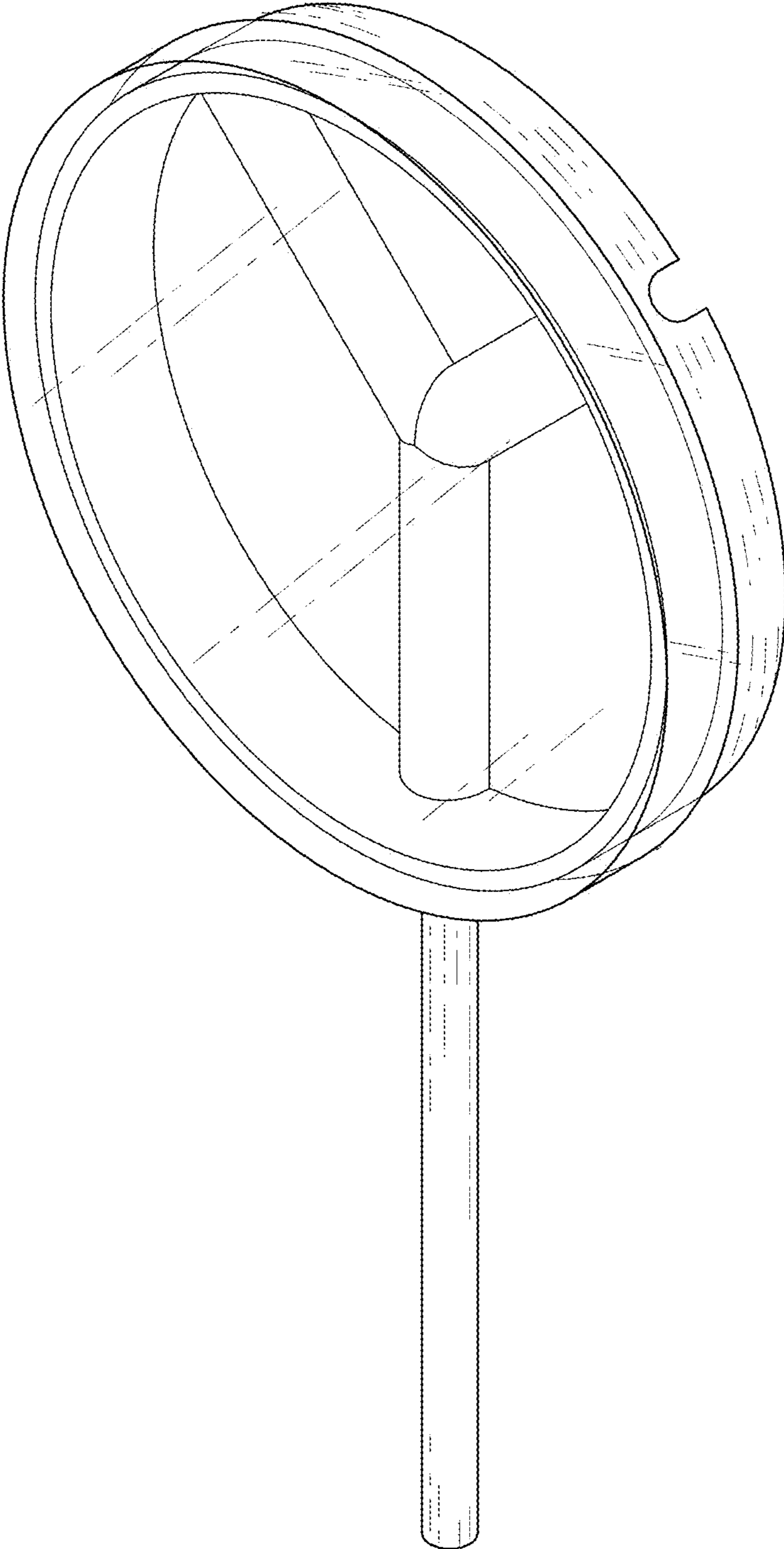


FIG 1

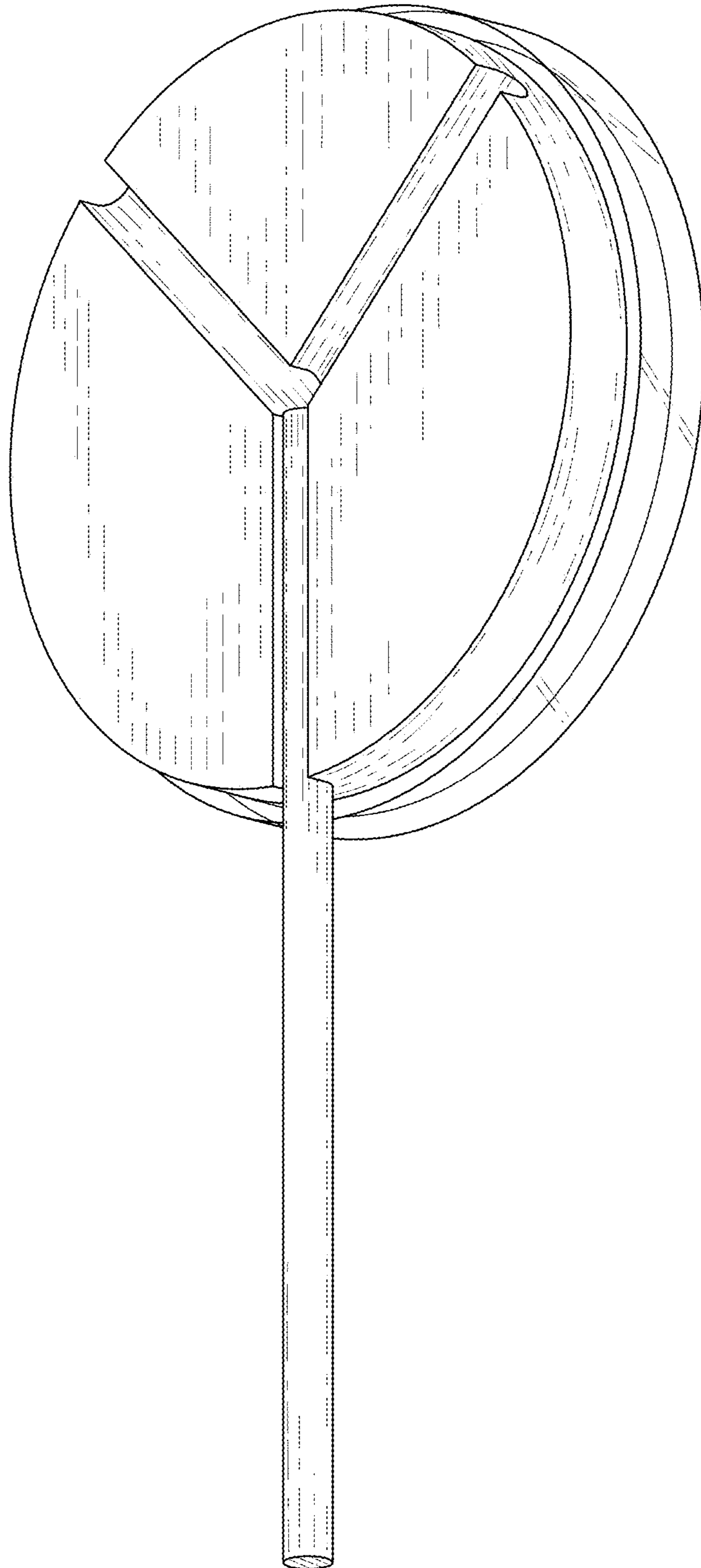


FIG 2

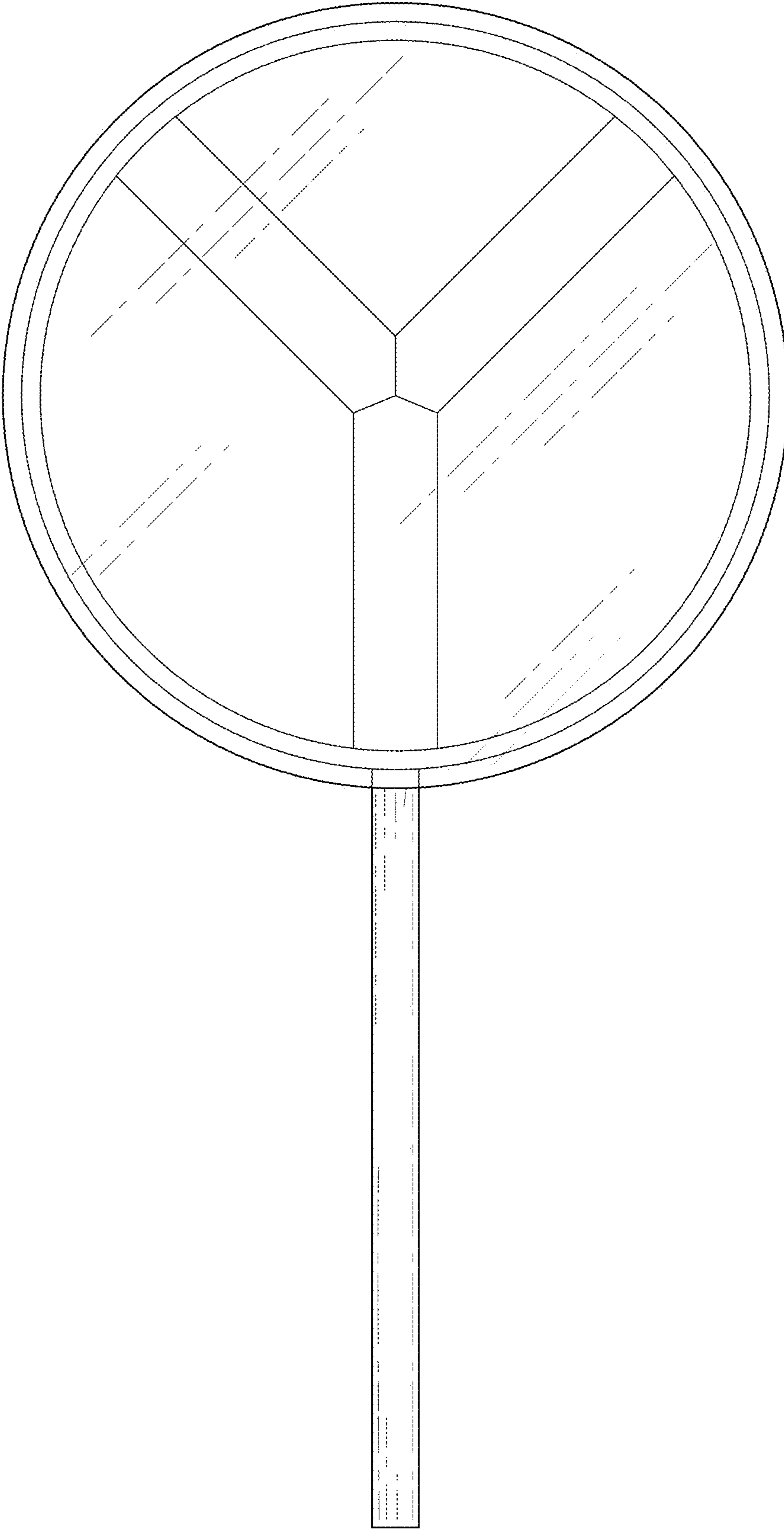


FIG 3

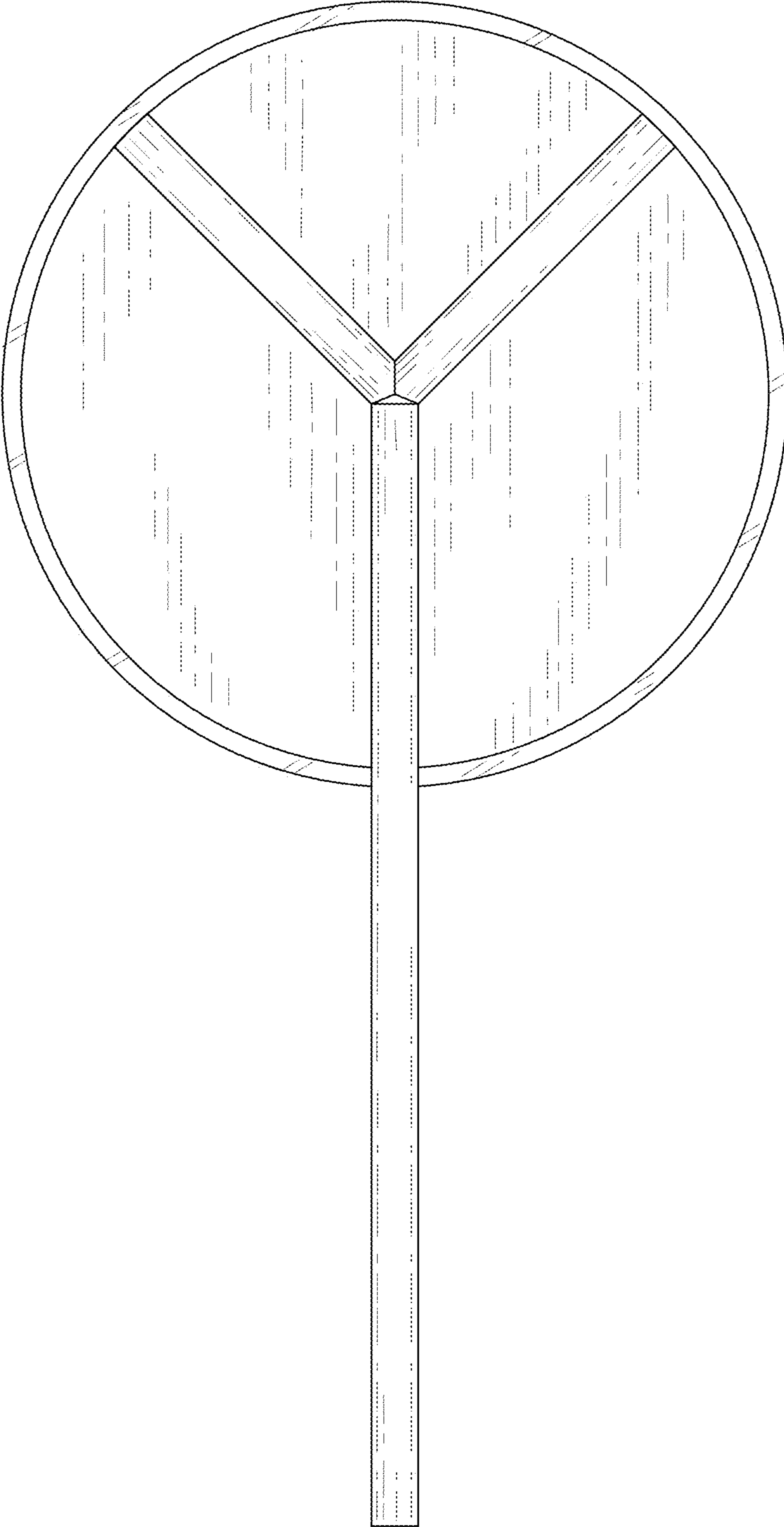


FIG 4

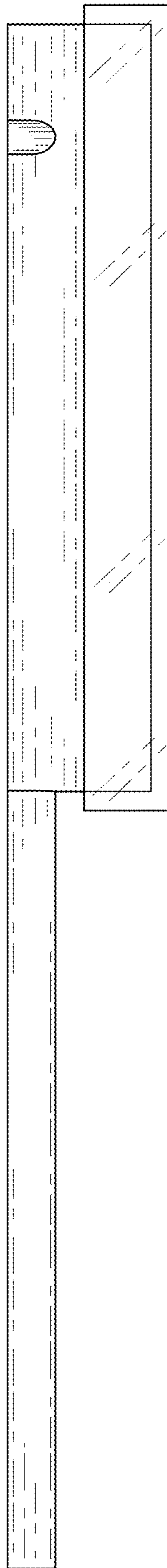


FIG 5

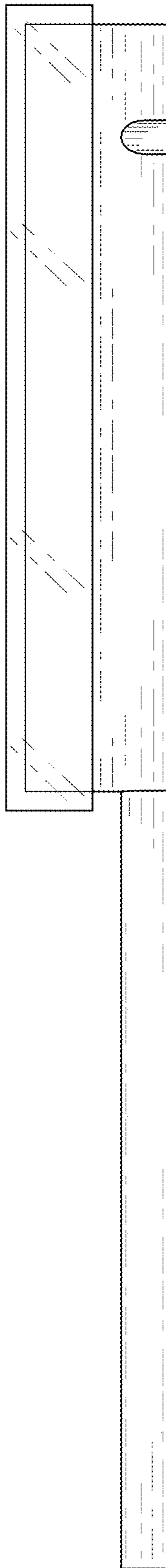


FIG 6

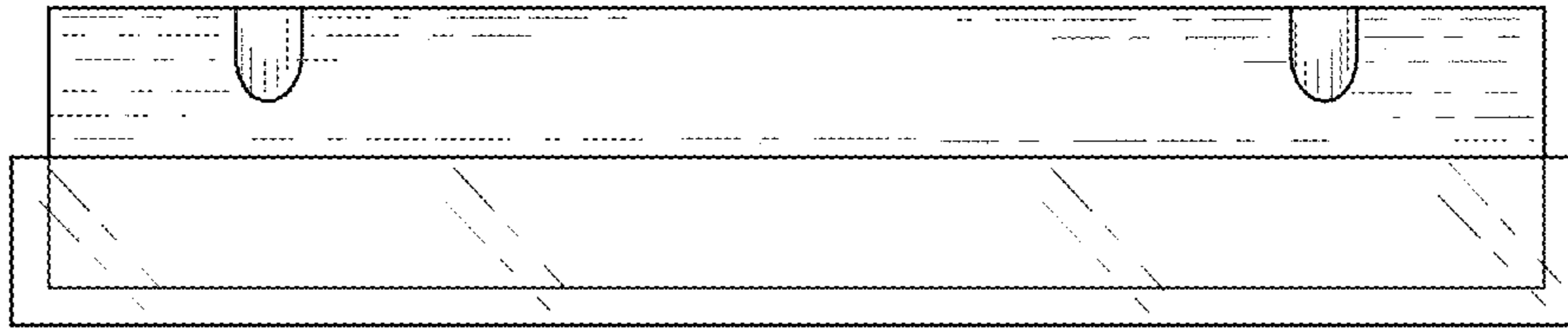


FIG 7

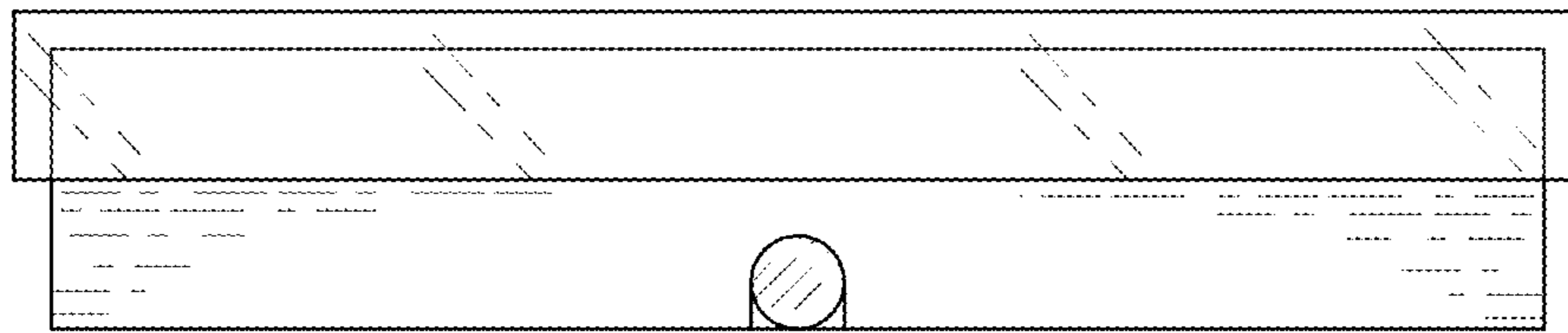


FIG 8