



US00D885673S

(12) **United States Design Patent**
Qiu et al.

(10) **Patent No.:** **US D885,673 S**

(45) **Date of Patent:** **** May 26, 2020**

(54) **BODY DRYER**

(71) Applicant: **ZHONGSHAN TIANJUN
ELECTRICAL APPLIANCE CO.,
LTD., Zhongshan (CN)**

(72) Inventors: **Jingzhi Qiu, Zhongshan (CN); Zihua
Huang, Zhongshan (CN); Zhigang
Dong, Zhongshan (CN)**

(73) Assignee: **ZHONGSHAN TIANJUN
ELECTRICAL APPLIANCE CO.,
LTD., Zhongshan (CN)**

(**) Term: **15 Years**

(21) Appl. No.: **29/678,817**

(22) Filed: **Jan. 31, 2019**

(51) **LOC (12) Cl.** **28-03**

(52) **U.S. Cl.**
USPC **D28/54.1**

(58) **Field of Classification Search**
USPC D28/12, 54.1, 58
CPC A45D 20/00; A45D 20/08; A45D 20/16;
A45D 20/50; A45D 20/52
See application file for complete search history.

(56) **References Cited**

U.S. PATENT DOCUMENTS

2,913,833 A * 11/1959 Glintz A45D 20/00
34/97
3,449,838 A * 6/1969 Chancellor, Jr. F24H 3/0411
34/90

3,878,621 A * 4/1975 Duerre A45D 20/16
34/90
4,642,909 A * 2/1987 Garcia A45D 20/16
239/282
5,269,071 A * 12/1993 Hamabe A47K 10/48
34/554
D534,306 S * 12/2006 Butler D28/9
9,397,489 B2 * 7/2016 Broker H02G 11/02

* cited by examiner

Primary Examiner — Zenia I Bennett

(74) *Attorney, Agent, or Firm* — Law Offices of Steven
W. Weinrieb

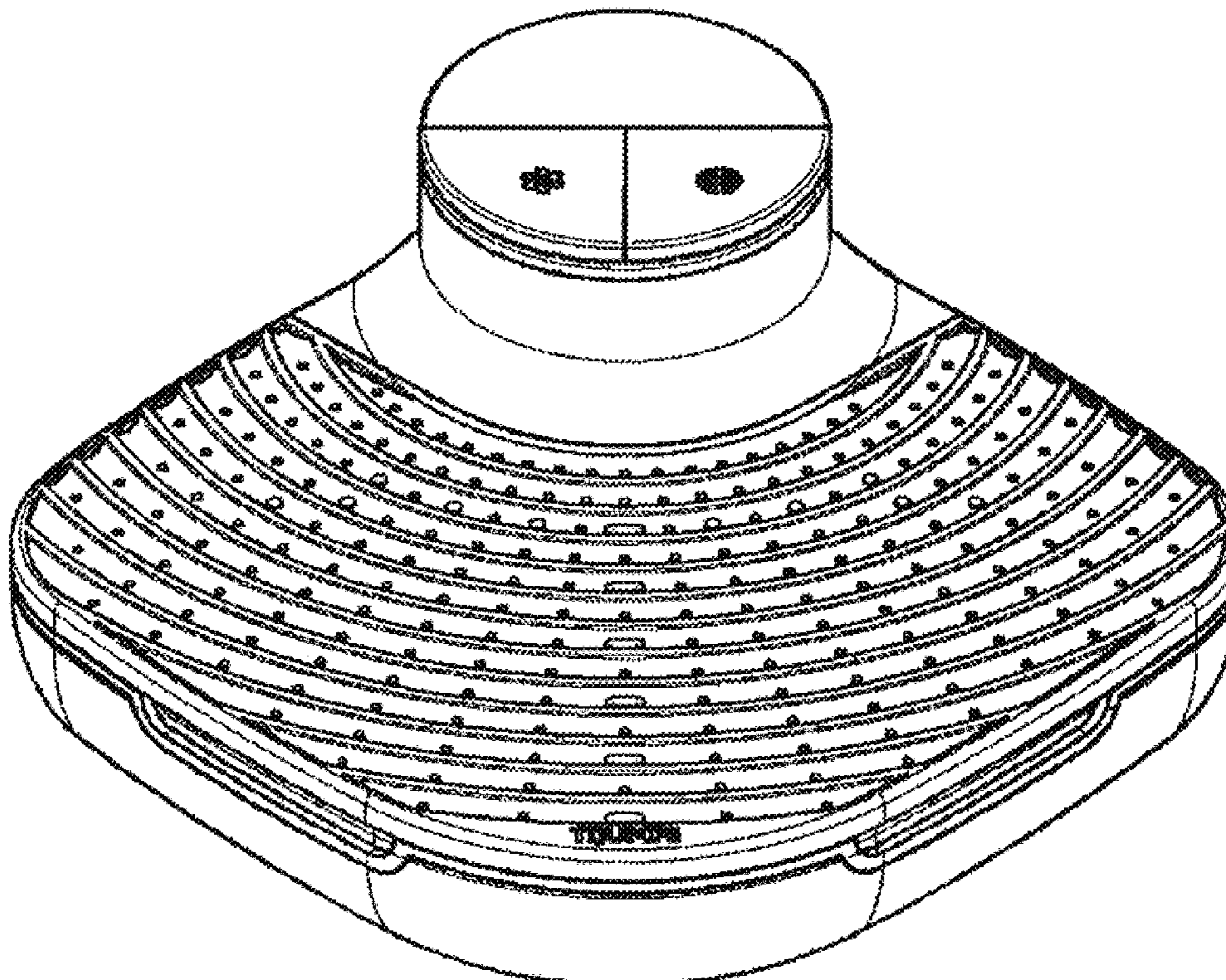
(57) **CLAIM**

The ornamental design for a body dryer, as shown and
described.

DESCRIPTION

FIG. 1 is a front, top perspective showing our new design for
a body dryer;
FIG. 2 is a front elevational view showing our new design
for a welding mask;
FIG. 3 is a rear elevational view thereof;
FIG. 4 is a left side elevational view thereof;
FIG. 5 is a right side elevational view thereof;
FIG. 6 is a top plan view thereof; and,
FIG. 7 is a bottom plan view thereof.

1 Claim, 7 Drawing Sheets



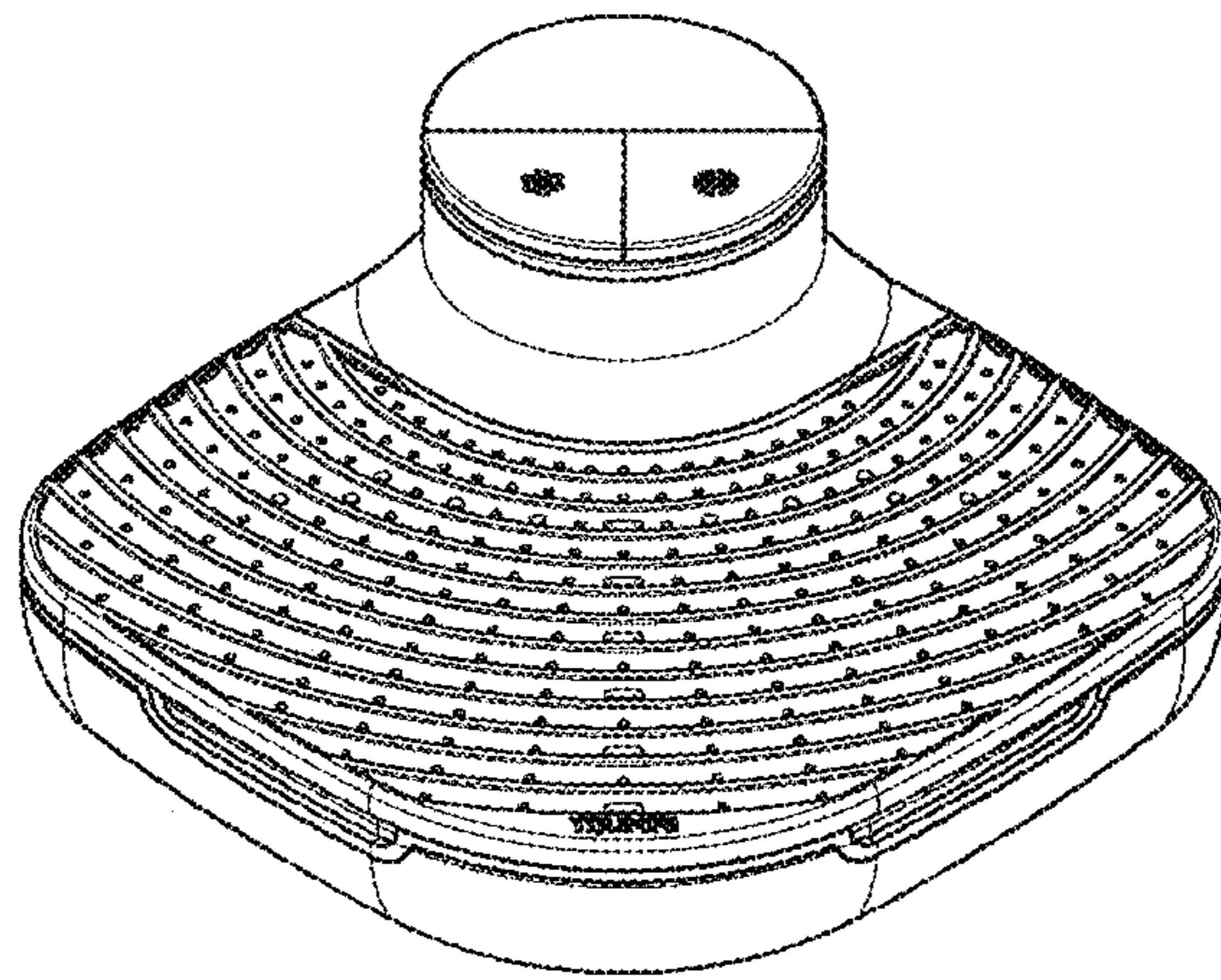


FIGURE 1

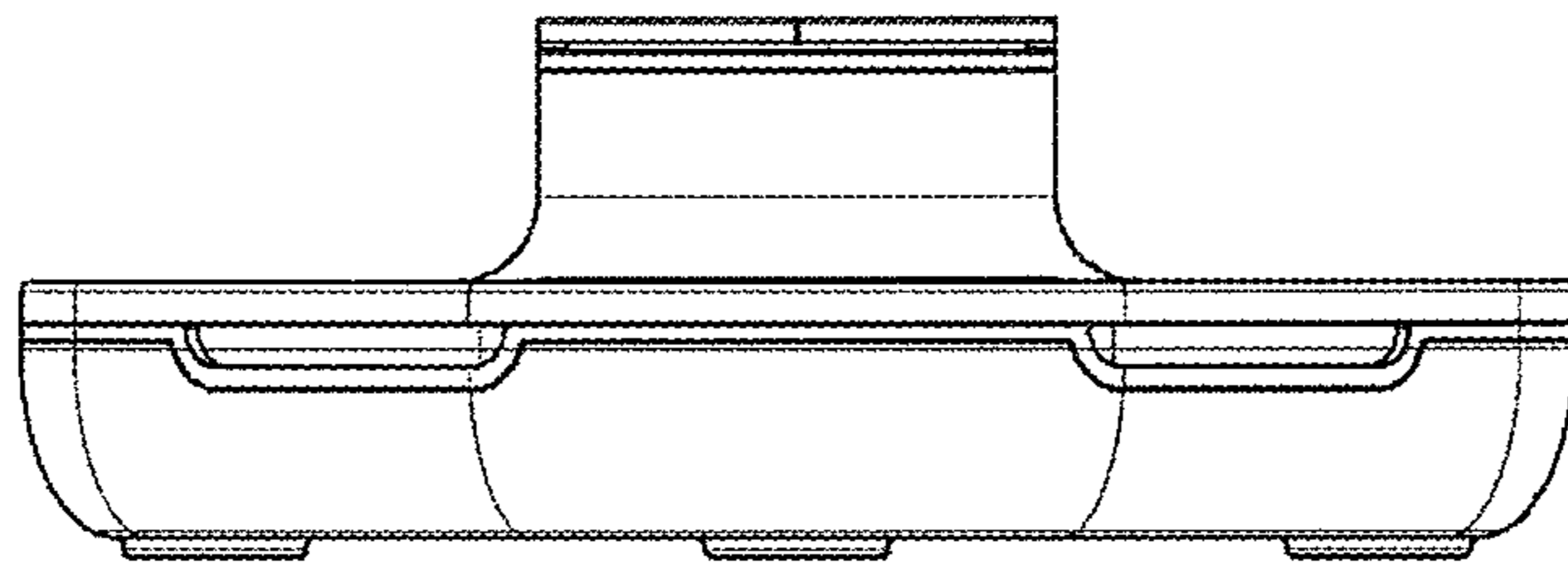


FIGURE 2

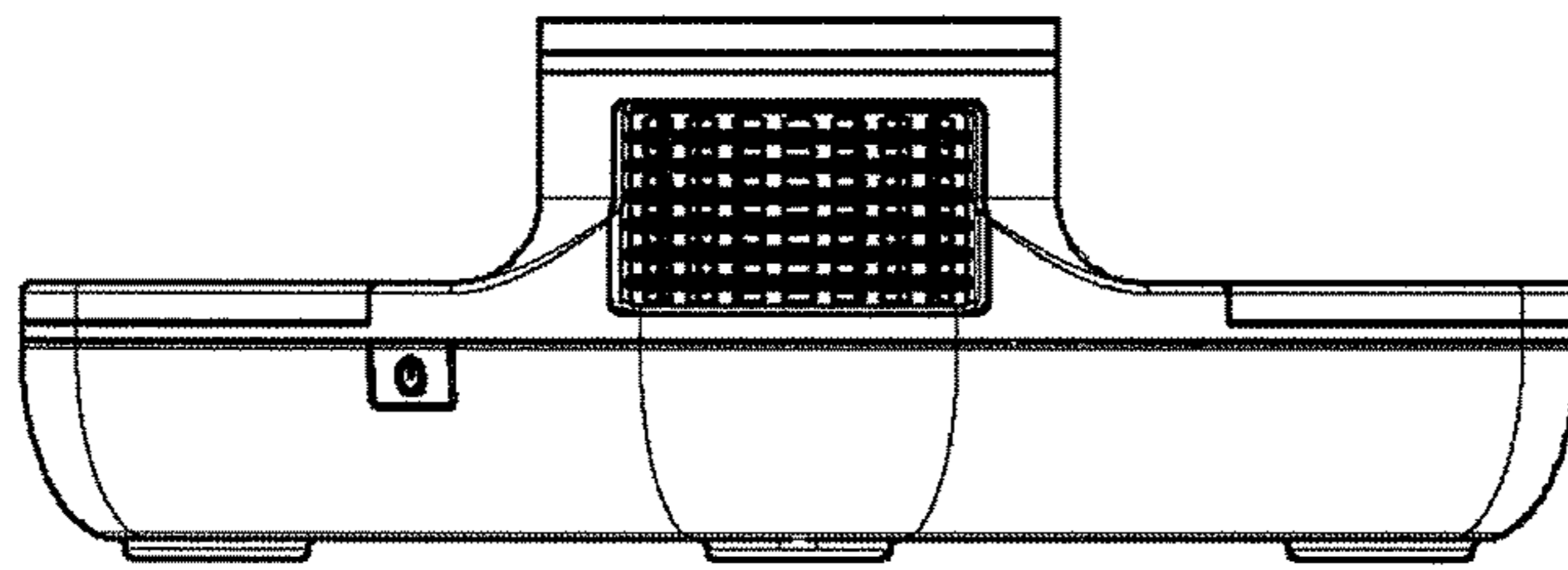


FIGURE 3

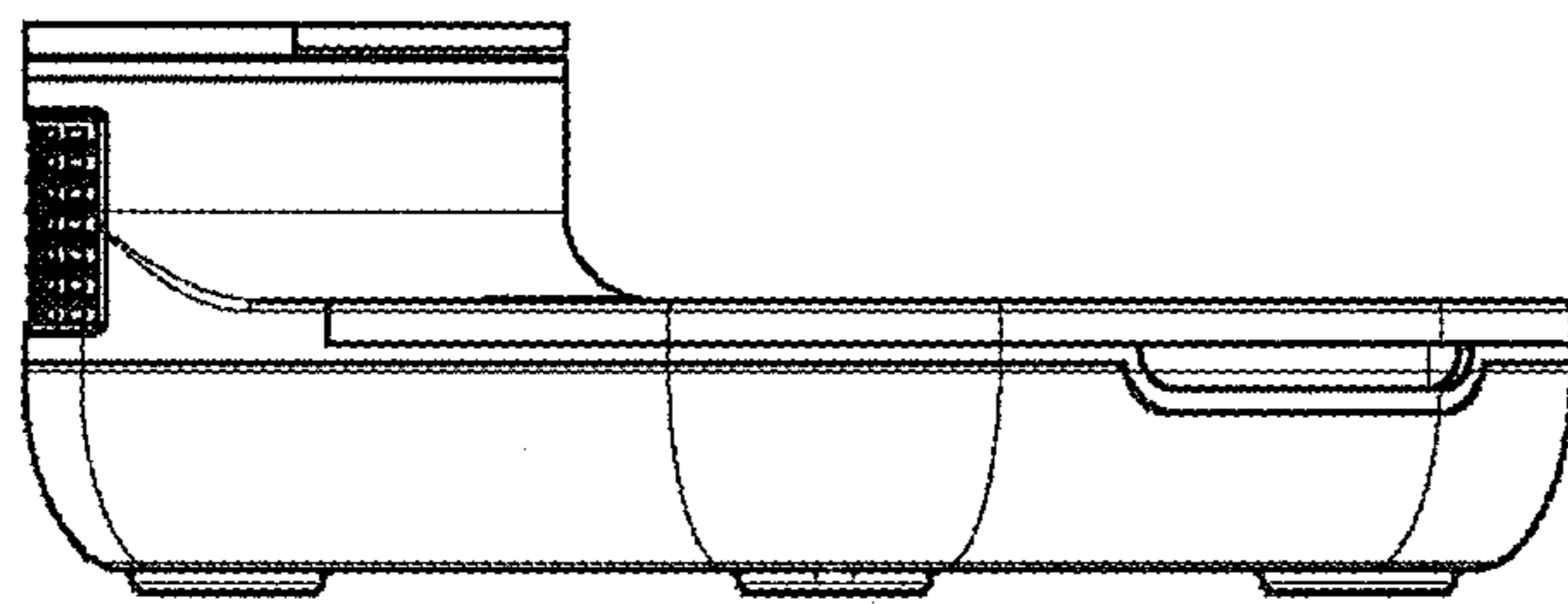


FIGURE 4

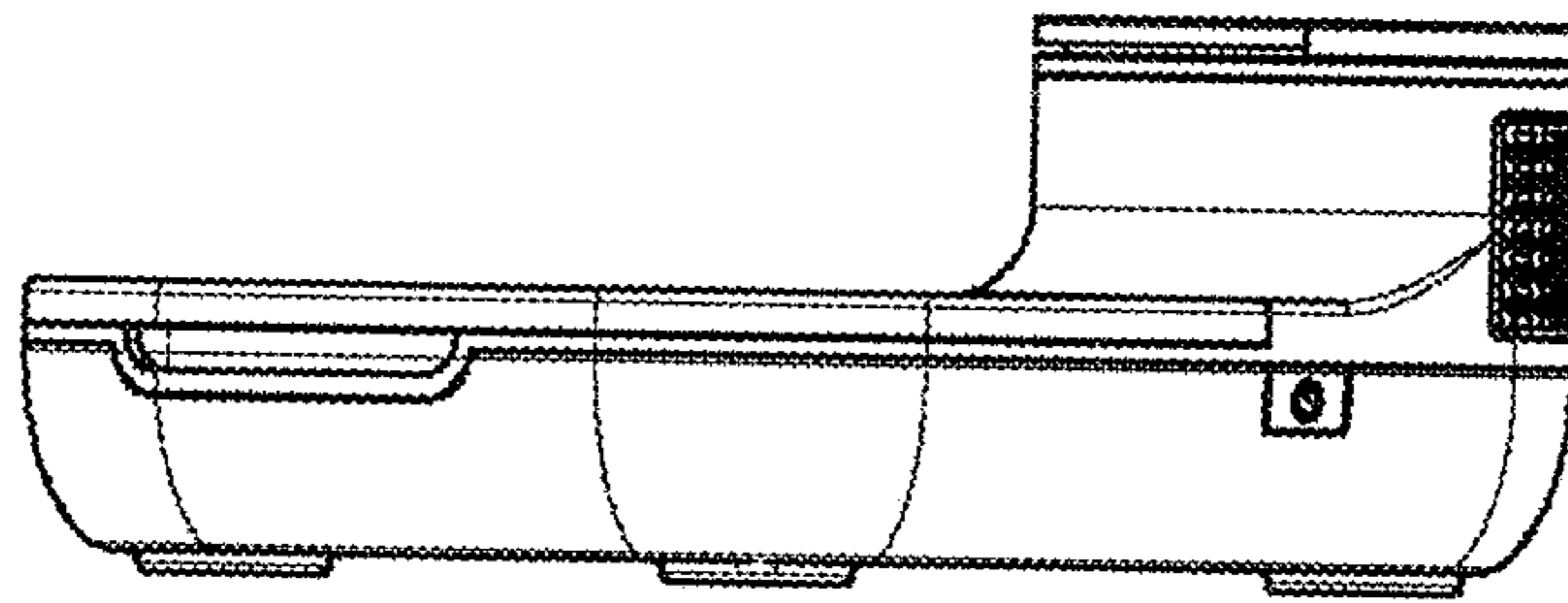


FIGURE 5

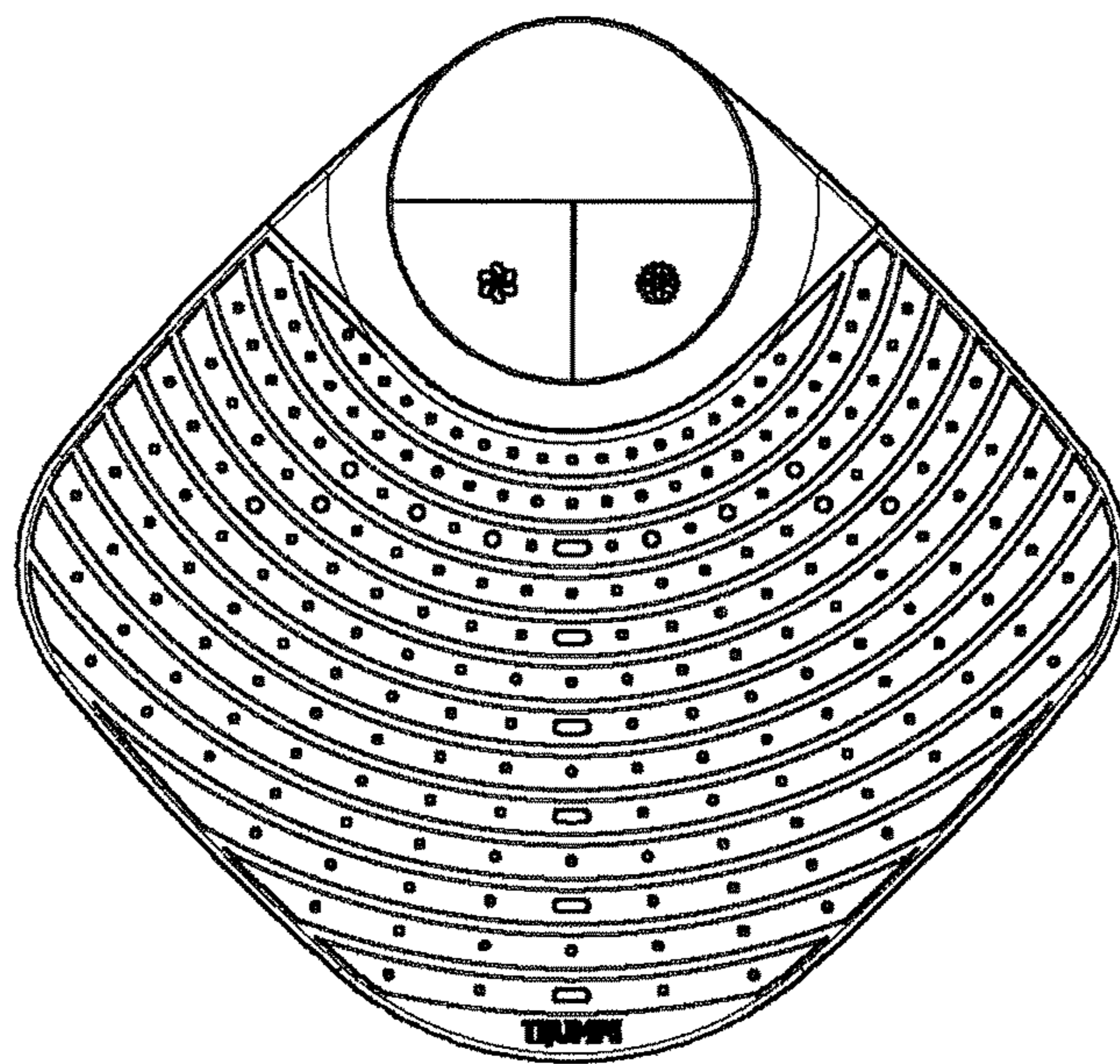


FIGURE 6

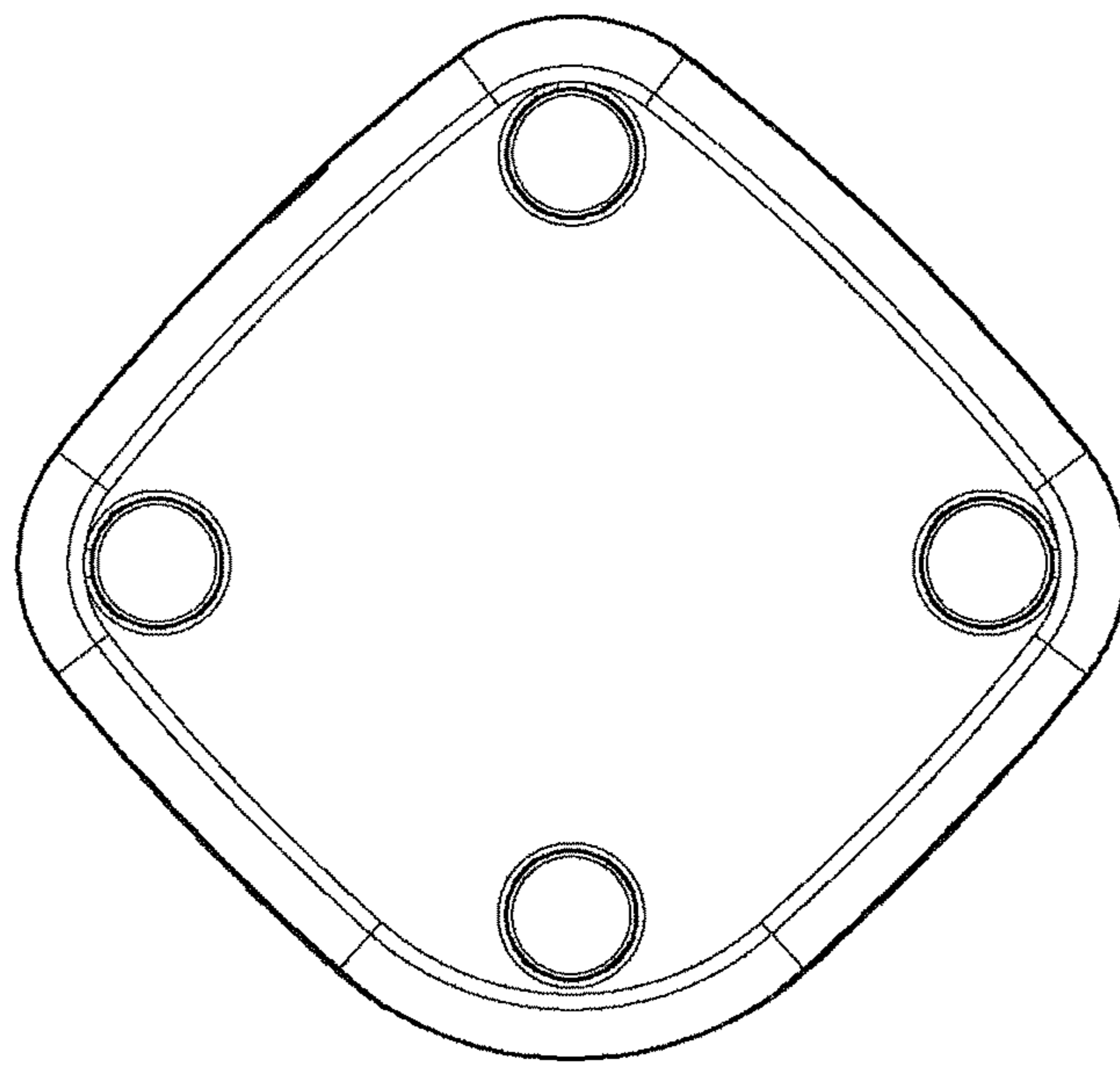


FIGURE 7