



US00D885669S

(12) **United States Design Patent**  
**Gu**

(10) **Patent No.:** **US D885,669 S**

(45) **Date of Patent:** **\*\* May 26, 2020**

(54) **HAIR CLIP**

(71) Applicant: **Zhengyong Gu**, Binhai (CN)

(72) Inventor: **Zhengyong Gu**, Binhai (CN)

(\*\*) Term: **15 Years**

(21) Appl. No.: **29/723,167**

(22) Filed: **Feb. 5, 2020**

(51) **LOC (12) Cl.** ..... **28-03**

(52) **U.S. Cl.**  
USPC ..... **D28/42**

(58) **Field of Classification Search**  
USPC ..... D28/21-34, 39-43; D8/395  
CPC ... A45D 8/00; A45D 8/26; A45D 8/28; A45D  
8/30; A45D 8/32  
See application file for complete search history.

(56) **References Cited**

**U.S. PATENT DOCUMENTS**

D142,476 S \* 10/1945 Goldman ..... D28/39  
D276,274 S \* 11/1984 Bezanson ..... D28/42

5,388,598 A \* 2/1995 Whitten ..... A45D 8/00  
132/200

5,771,908 A \* 6/1998 Dorsey ..... A45D 8/34  
132/275

D412,221 S \* 7/1999 Semrad-Drutz ..... D28/42

\* cited by examiner

*Primary Examiner* — Zenia I Bennett

(74) *Attorney, Agent, or Firm* — KA Filing LLC; Wayne V. Harper

(57) **CLAIM**

I claim the ornamental design for a hair clip, as shown and described.

**DESCRIPTION**

FIG. 1 is a Perspective view of a hair clip showing my new design;

FIG. 2 is a Front view thereof;

FIG. 3 is a Back view thereof;

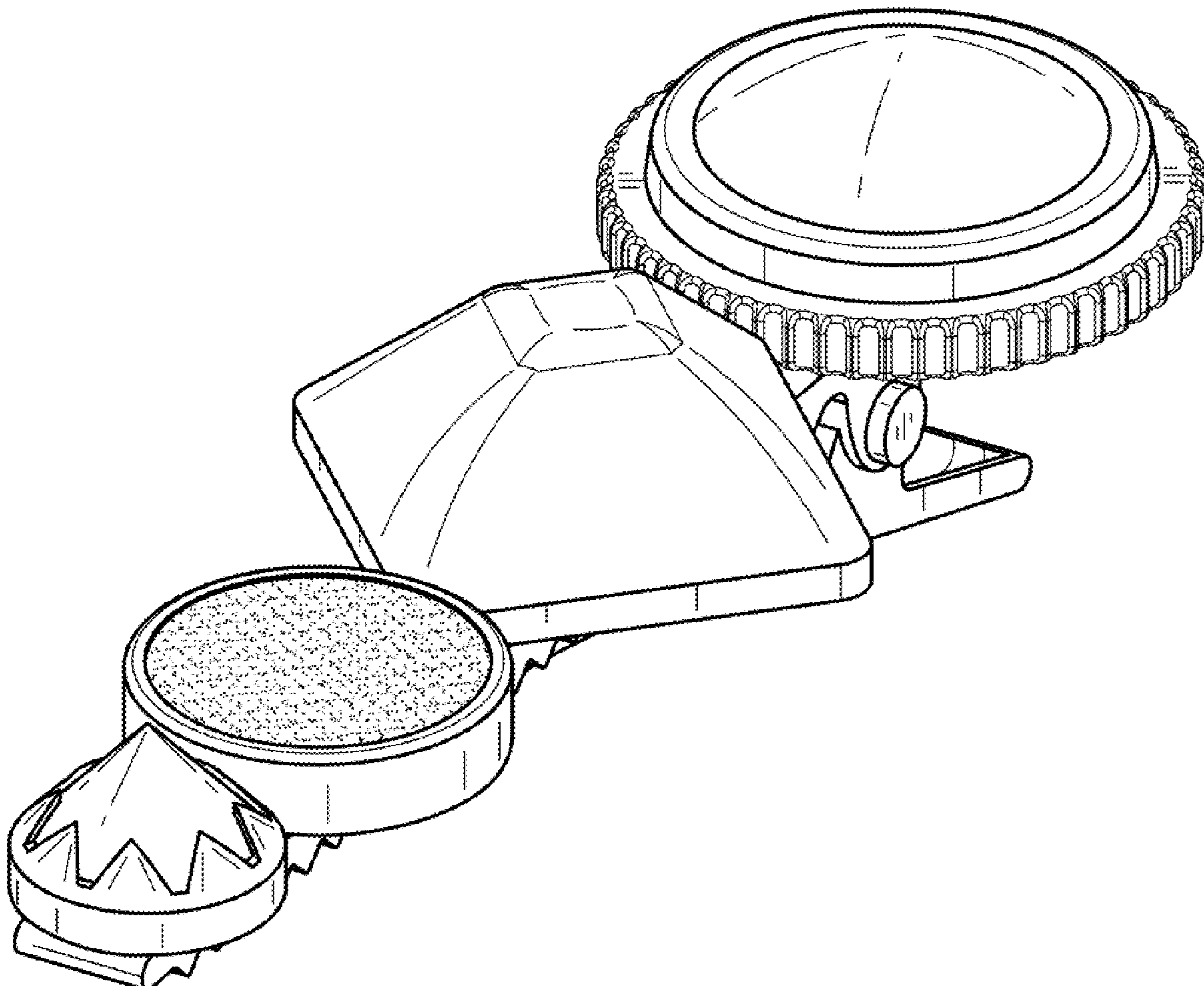
FIG. 4 is a Right-side view thereof;

FIG. 5 is a Left-side view thereof;

FIG. 6 is a Top view thereof; and,

FIG. 7 is a Bottom view thereof.

**1 Claim, 5 Drawing Sheets**



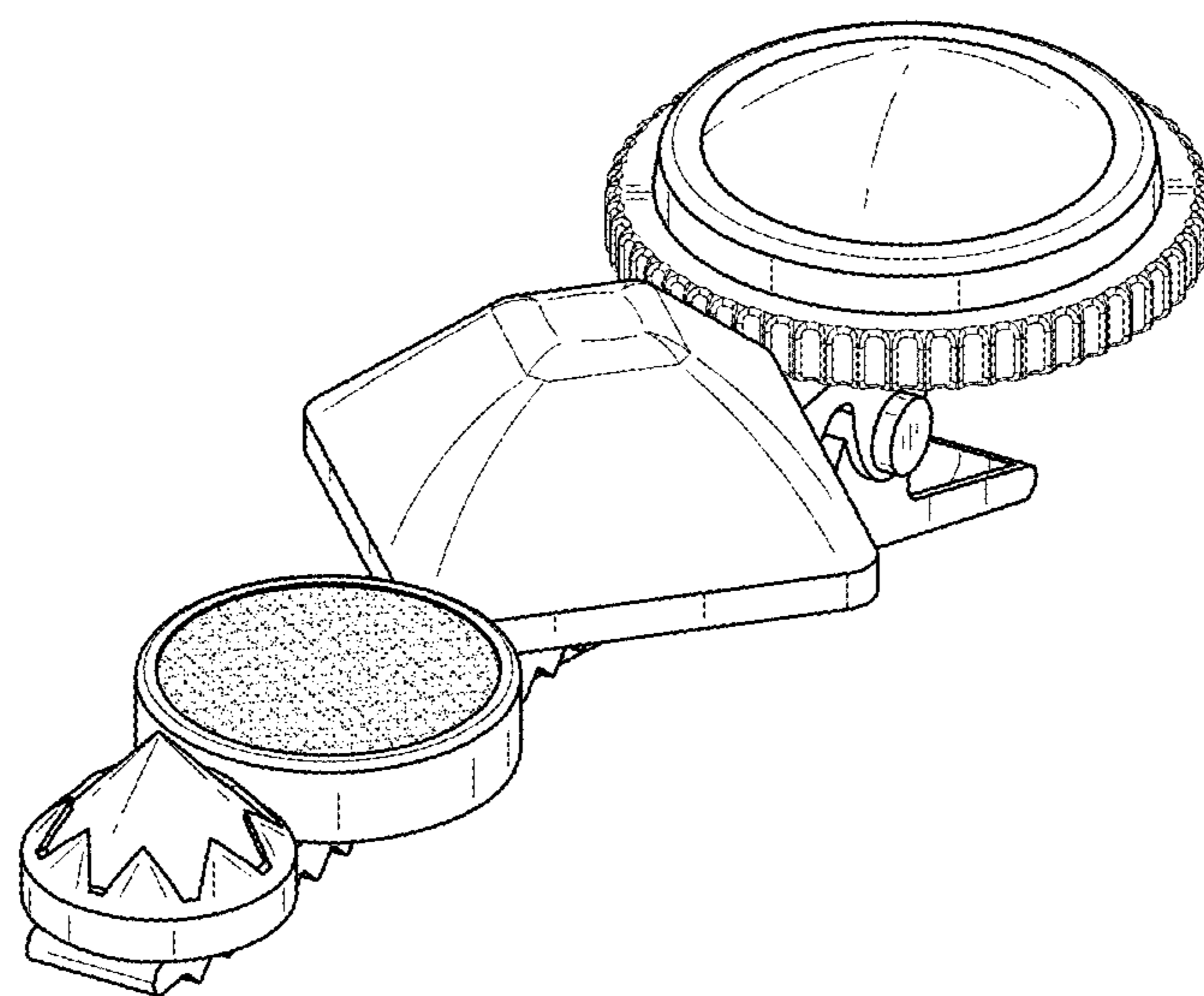


FIG. 1

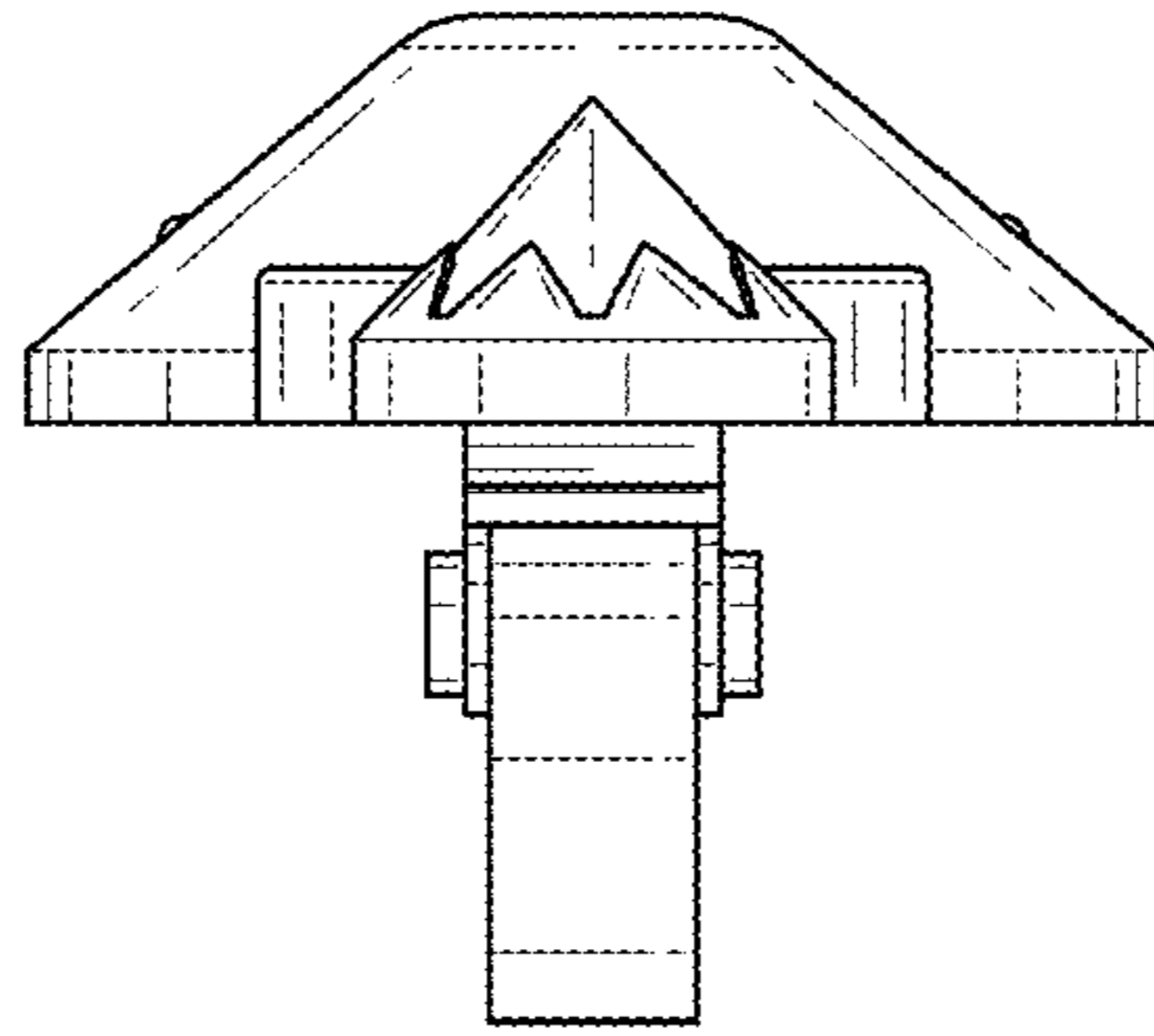


FIG. 2

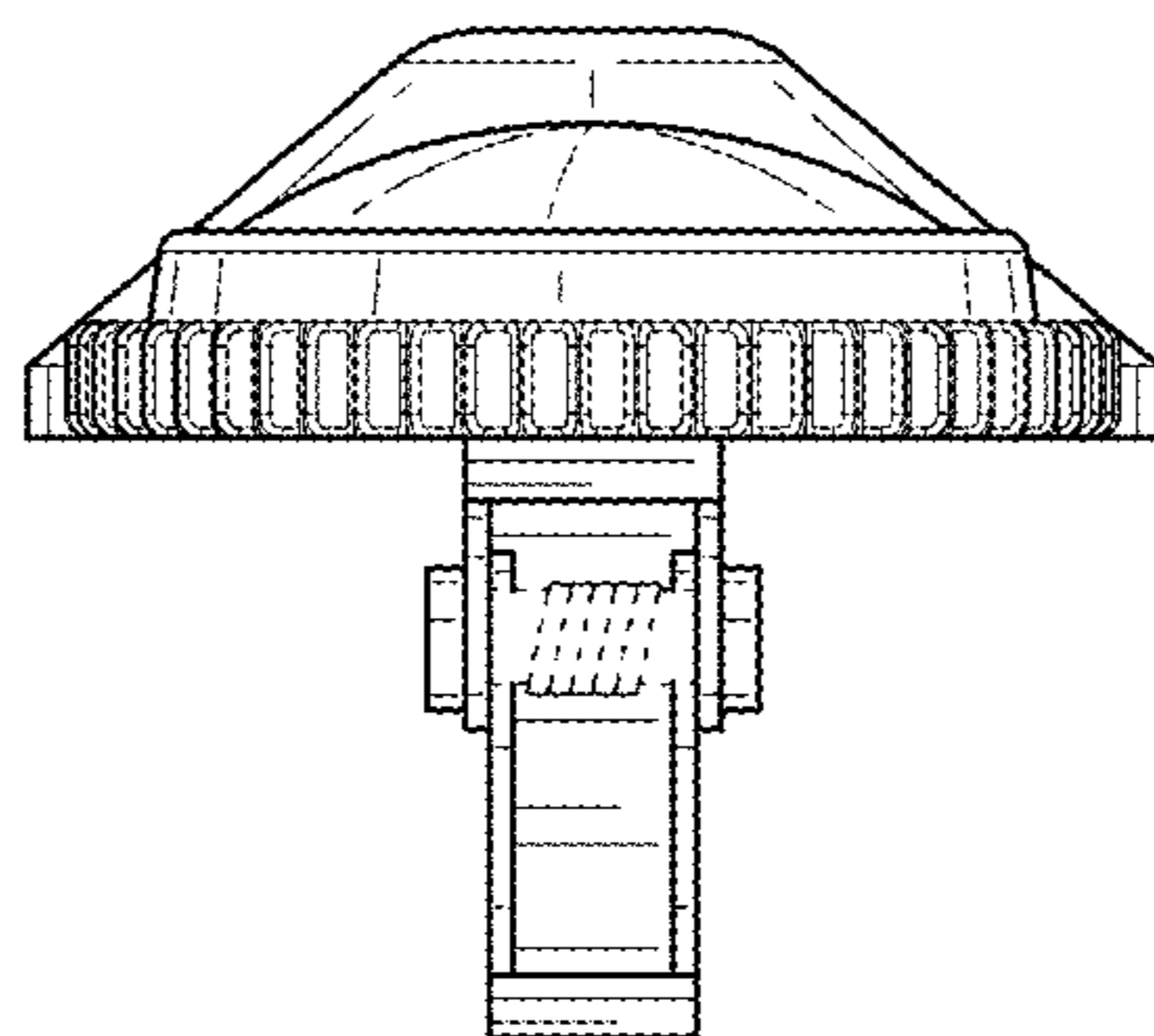


FIG. 3

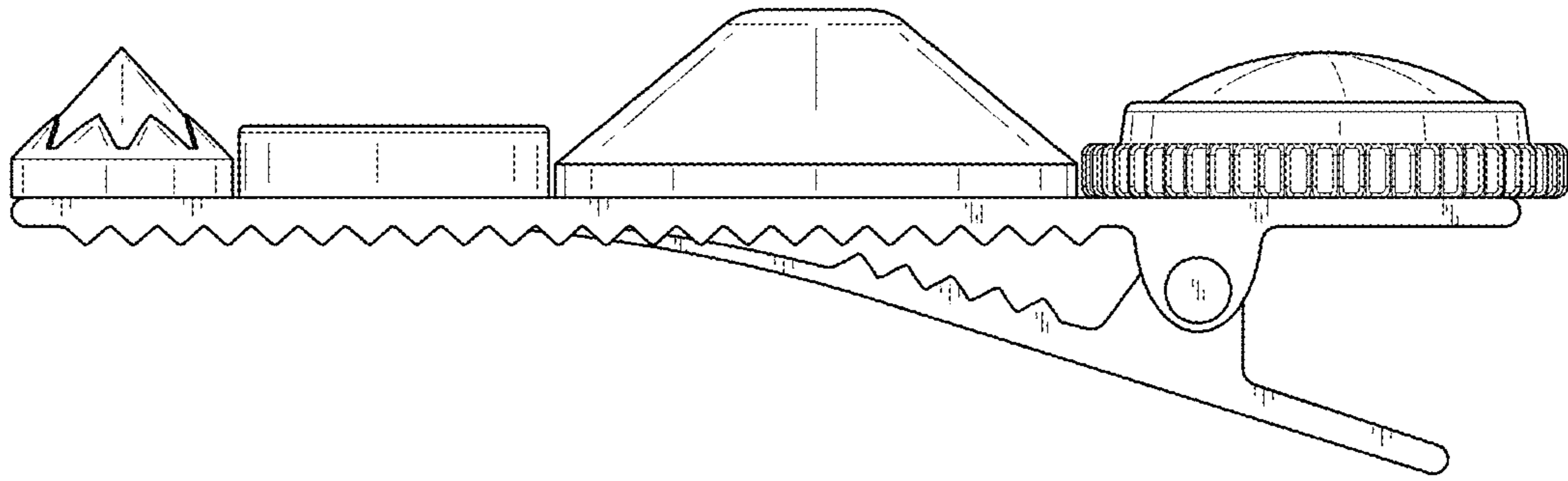


FIG. 4

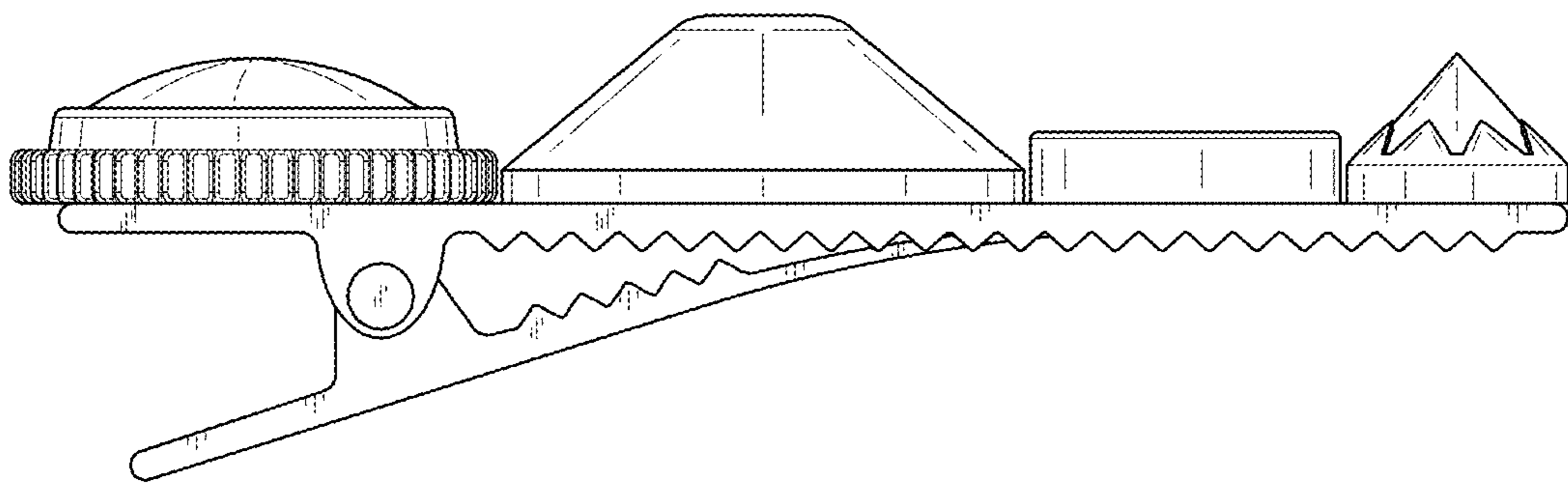


FIG. 5

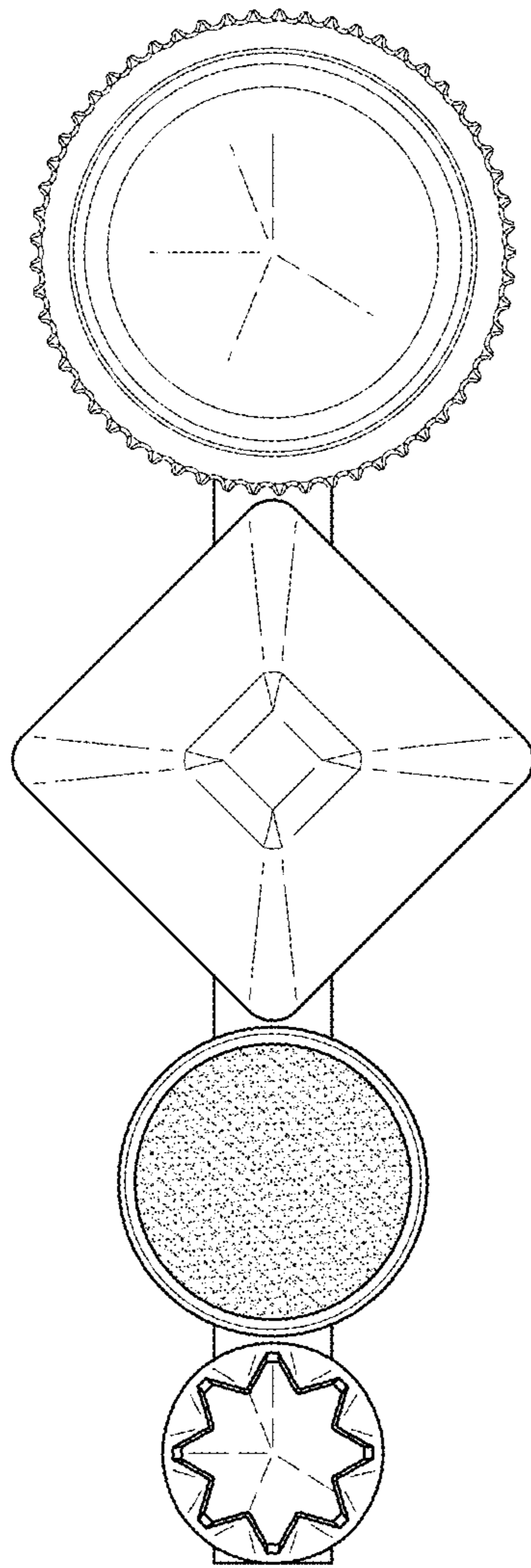


FIG. 6

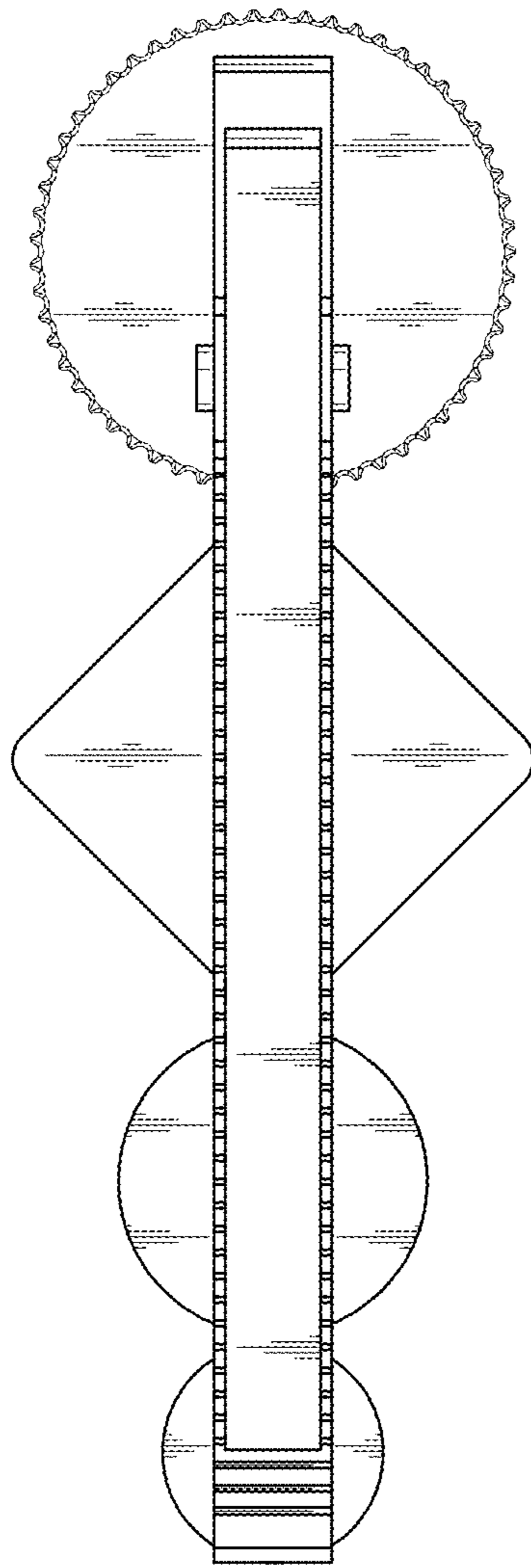


FIG. 7