



US00D885668S

(12) **United States Design Patent**
Gu

(10) **Patent No.:** **US D885,668 S**

(45) **Date of Patent:** **** May 26, 2020**

(54) **HAIR CLIP**

(71) Applicant: **Zhengyong Gu**, Binhai (CN)

(72) Inventor: **Zhengyong Gu**, Binhai (CN)

(**) Term: **15 Years**

(21) Appl. No.: **29/723,164**

(22) Filed: **Feb. 5, 2020**

(51) **LOC (12) Cl.** **28-03**

(52) **U.S. Cl.**
USPC **D28/42**

(58) **Field of Classification Search**
USPC D28/21-34, 39-43; D8/395
CPC ... A45D 8/00; A45D 8/26; A45D 8/28; A45D
8/30; A45D 8/32
See application file for complete search history.

(56) **References Cited**

U.S. PATENT DOCUMENTS

D142,476 S * 10/1945 Goldman D28/39
D276,274 S * 11/1984 Bezanson D28/42

5,388,598 A * 2/1995 Whitten A45D 8/00
132/200
5,771,908 A * 6/1998 Dorsey A45D 8/34
132/275
D412,221 S * 7/1999 Semrad-Drutz D28/42

* cited by examiner

Primary Examiner — Zenia I Bennett

(74) *Attorney, Agent, or Firm* — KA Filing LLC; Wayne V. Harper

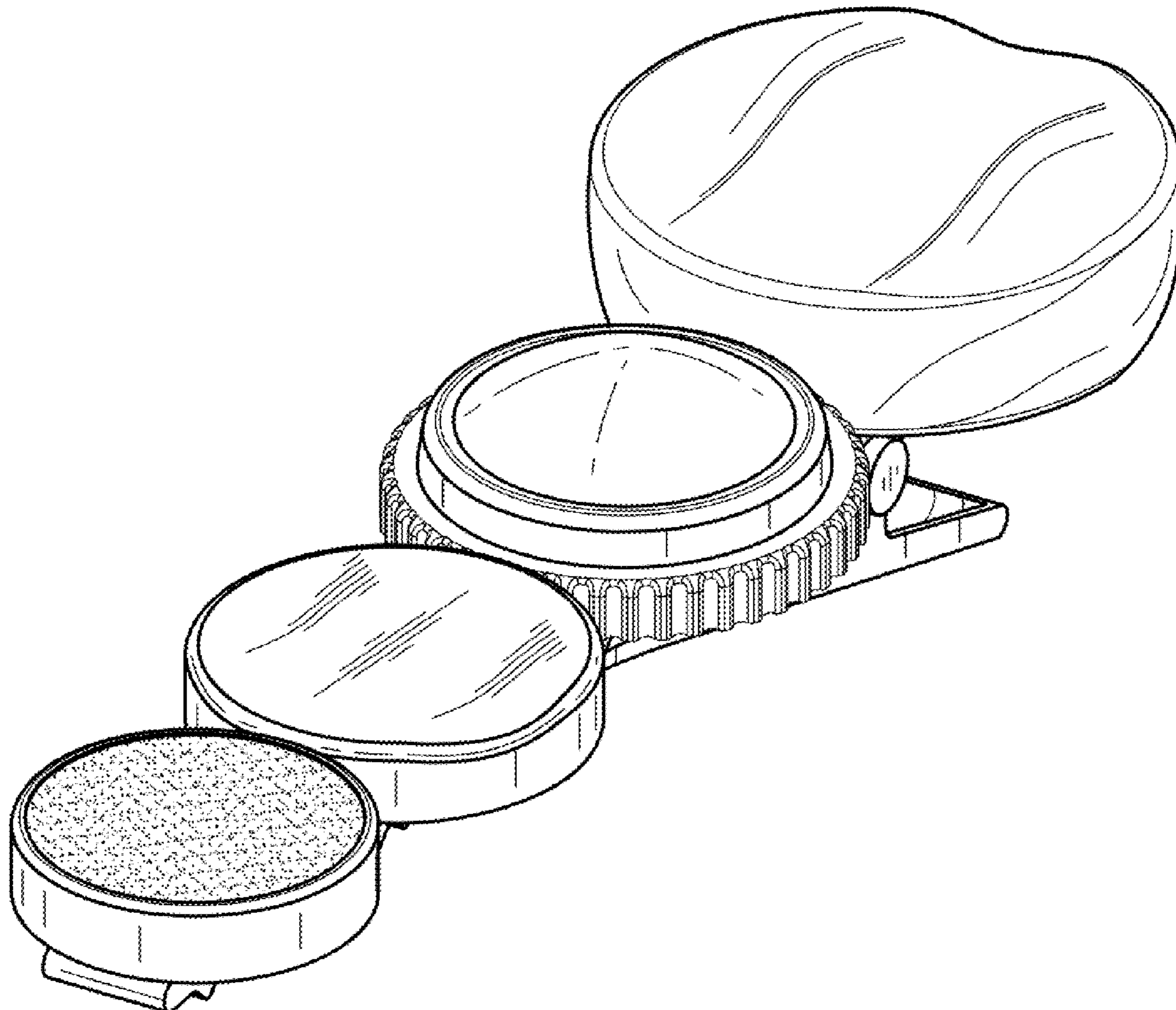
(57) **CLAIM**

I claim the ornamental design for a hair clip, as shown and described.

DESCRIPTION

FIG. 1 is a Perspective view of a hair clip showing my new design;
FIG. 2 is a Front view thereof;
FIG. 3 is a Back view thereof;
FIG. 4 is a Right-side view thereof;
FIG. 5 is a Left-side view thereof;
FIG. 6 is a Top view thereof; and,
FIG. 7 is a Bottom view thereof.

1 Claim, 5 Drawing Sheets



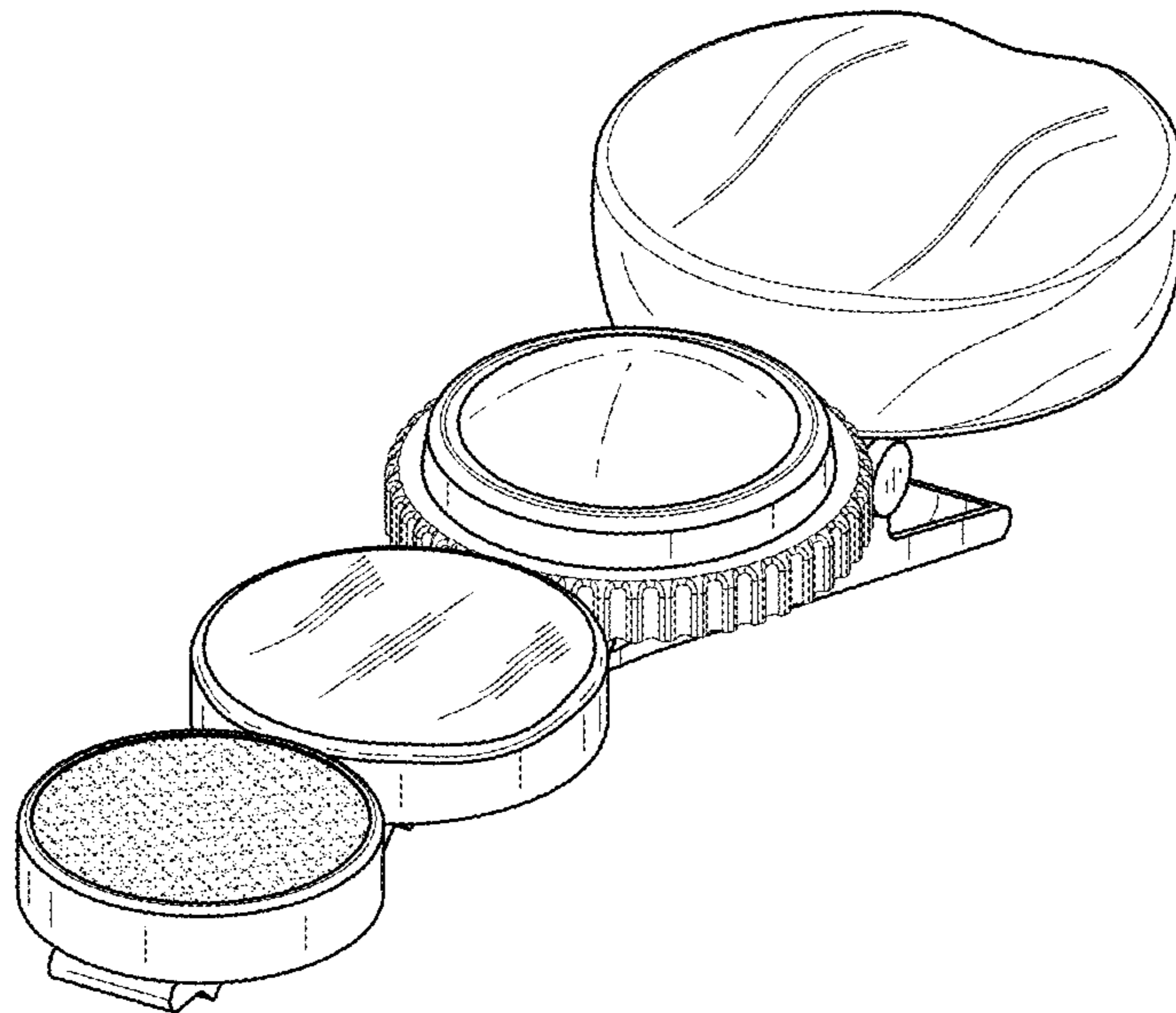


FIG. 1

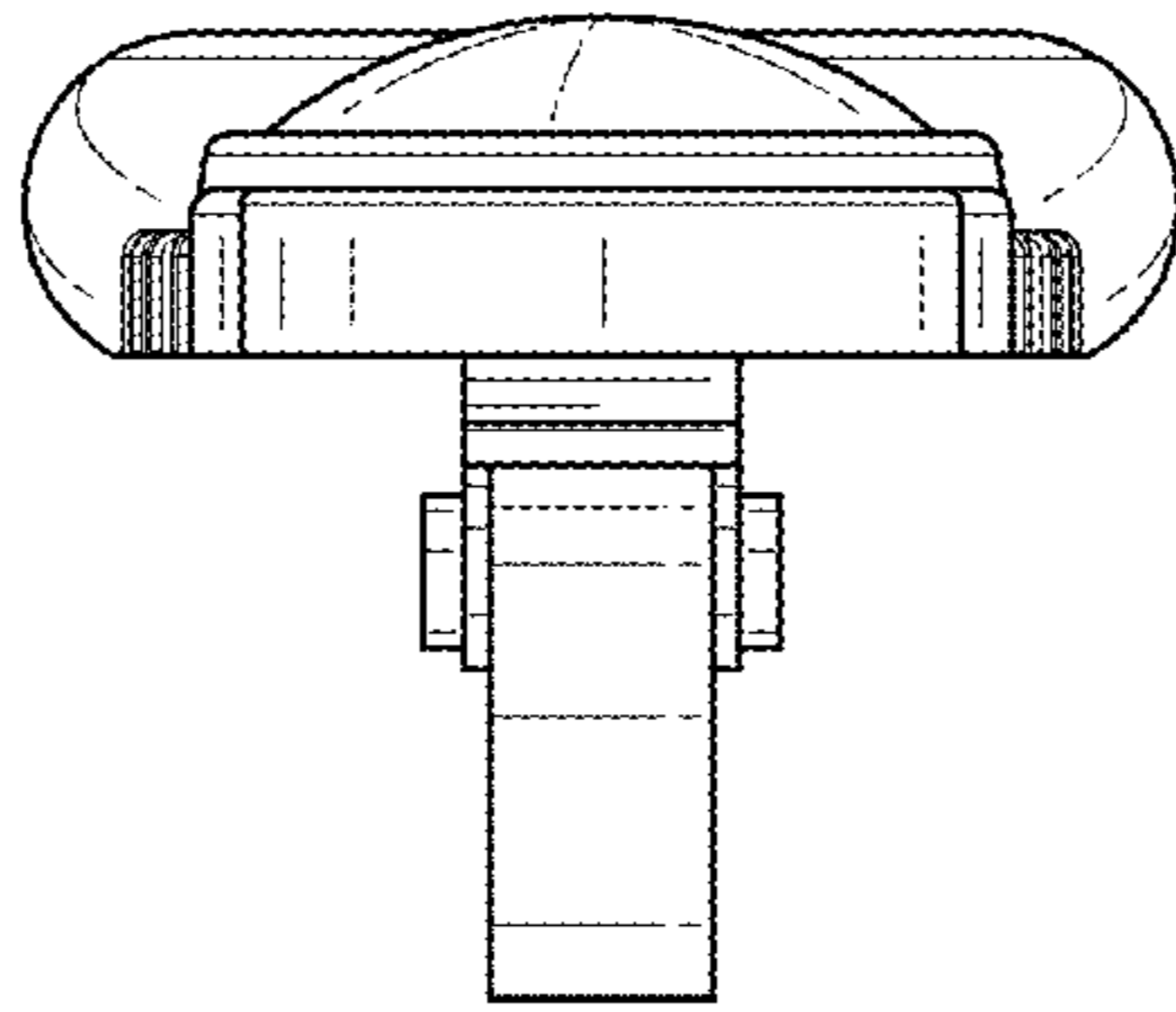


FIG. 2

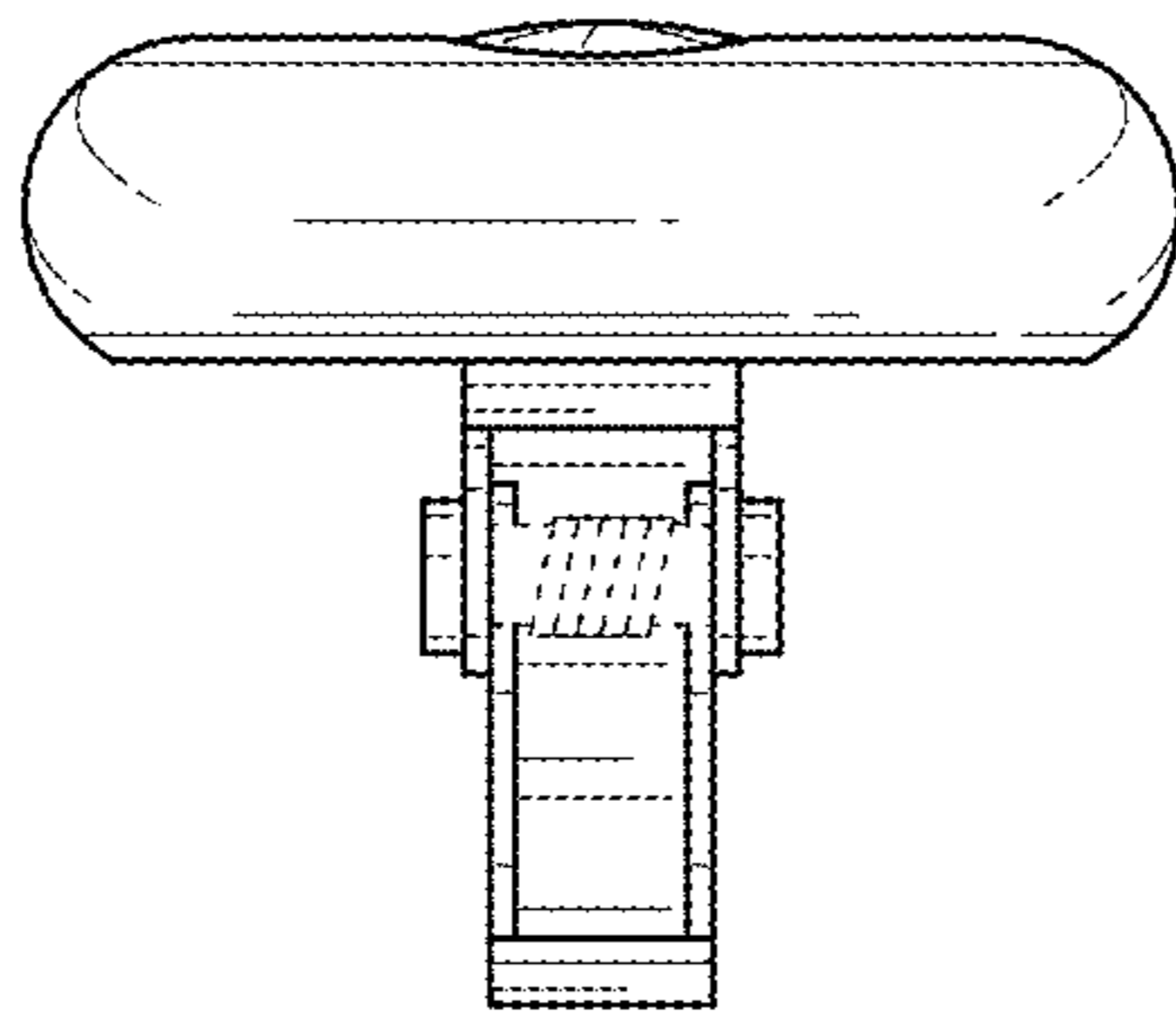


FIG. 3

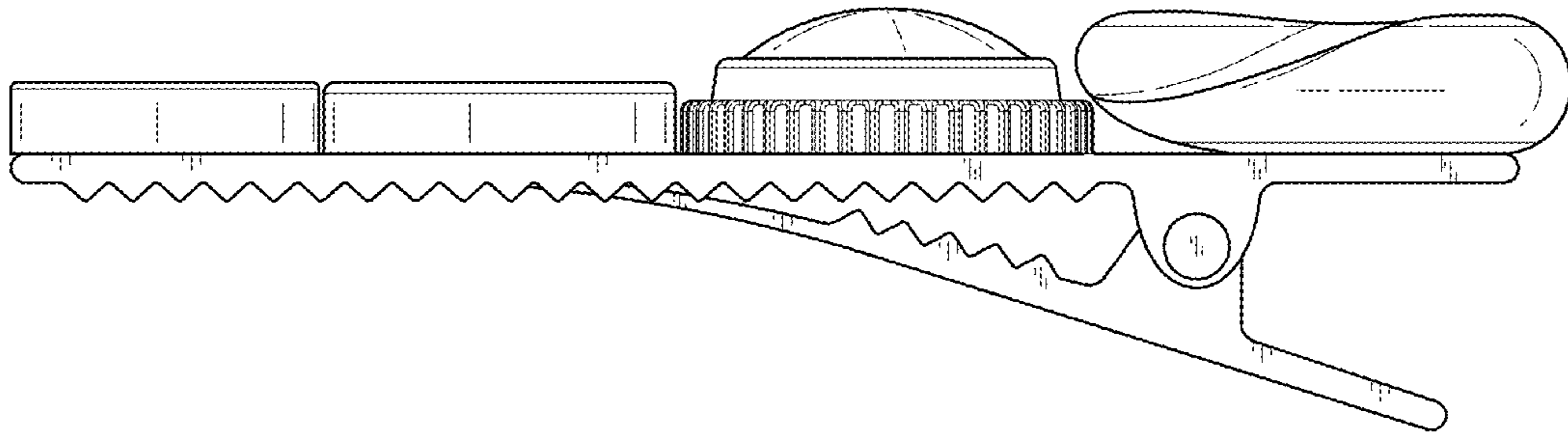


FIG. 4

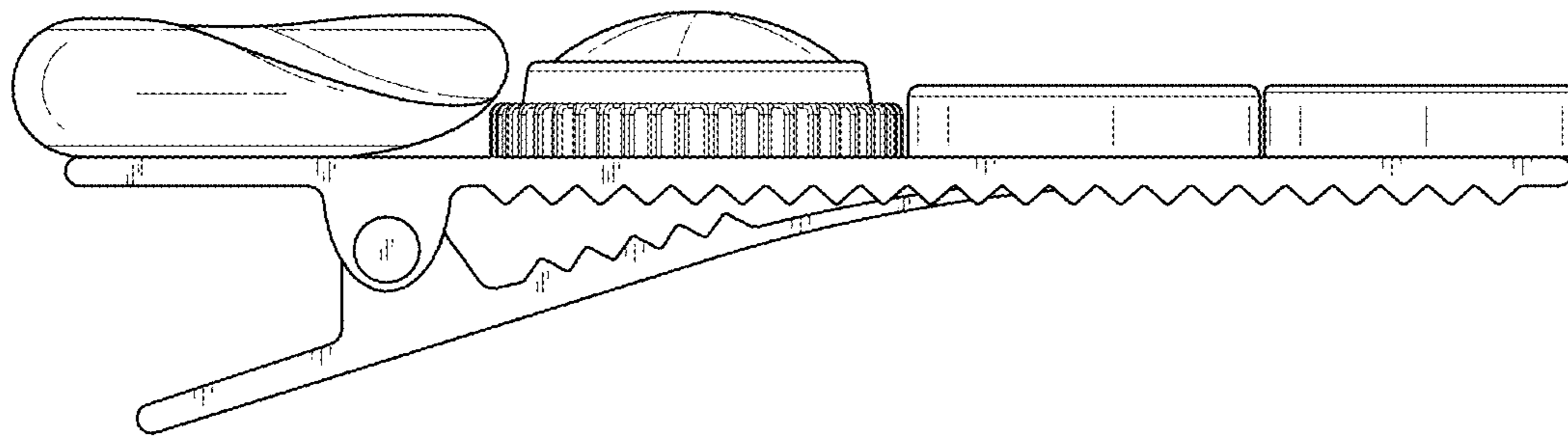


FIG. 5

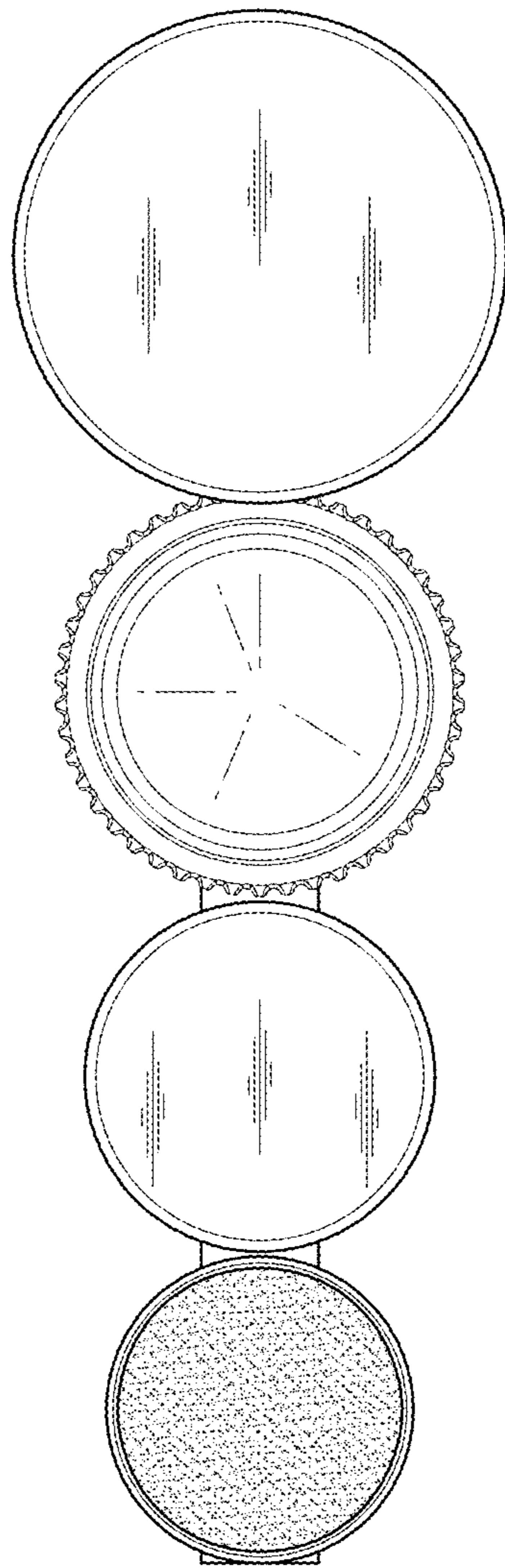


FIG. 6

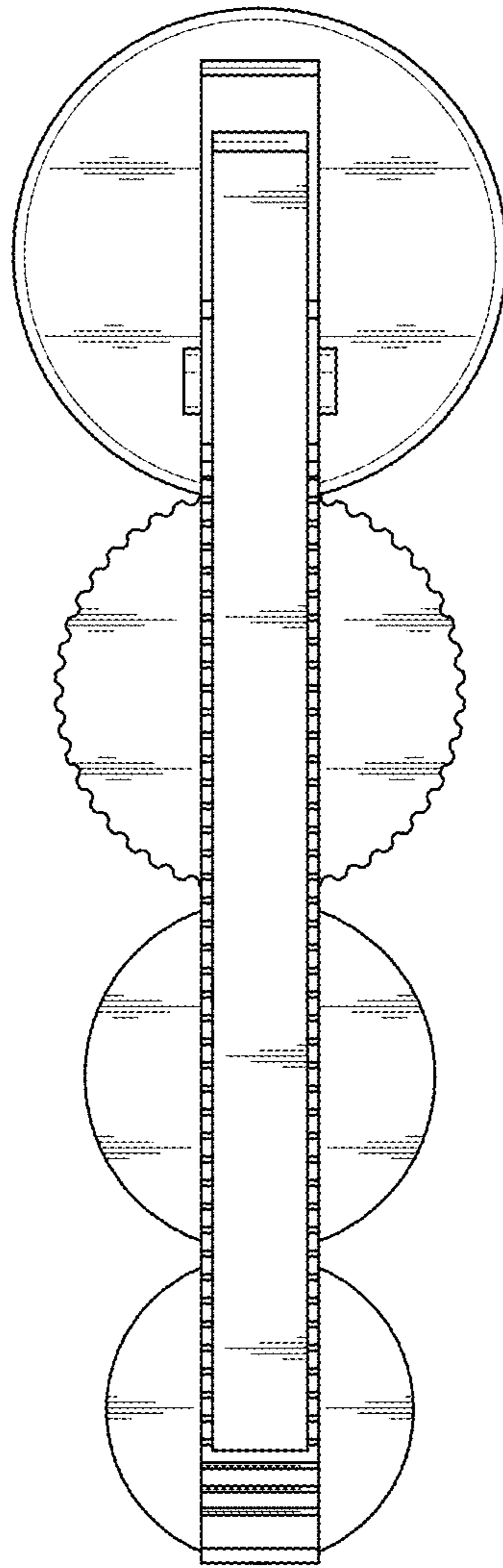


FIG. 7