



US00D885664S

(12) **United States Design Patent**
Dyson et al.

(10) **Patent No.:** **US D885,664 S**

(45) **Date of Patent:** **** May 26, 2020**

(54) **HAIR STYLING AND HAIR CARE APPARATUS**

(71) Applicant: **Dyson Technology Limited**, Wiltshire (GB)

(72) Inventors: **James Dyson**, Bristol (GB); **Andrew Drummond Flynn**, Bristol (GB); **Teik Sheng Ng**, Singapore (SG)

(73) Assignee: **Dyson Technology Limited**, Malmesbury, Wiltshire (GB)

(**) Term: **15 Years**

(21) Appl. No.: **29/685,289**

(22) Filed: **Mar. 27, 2019**

(30) **Foreign Application Priority Data**

Sep. 27, 2018 (EM) 005662731-0001

(51) **LOC (12) Cl.** **28-03**

(52) **U.S. Cl.**
USPC **D28/18**

(58) **Field of Classification Search**
USPC D28/12-19; D4/128, 133
CPC A45D 20/00; A45D 20/08; A45D 20/50;
A45D 20/52

See application file for complete search history.

(56) **References Cited**

U.S. PATENT DOCUMENTS

D476,443 S *	6/2003	Ohta	D28/18
D847,421 S *	4/2019	Tappenden	D28/18
D847,426 S *	4/2019	Tappenden	D28/18
D848,063 S *	5/2019	Tappenden	D28/18
D848,066 S *	5/2019	Coulton	D28/18

* cited by examiner

Primary Examiner — Zenia I Bennett

(74) *Attorney, Agent, or Firm* — Morrison & Foerster LLP

(57) **CLAIM**

We claim the ornamental design for a hair styling and hair care apparatus, as shown and described.

DESCRIPTION

FIG. 1 is a front perspective view of a hair styling and hair care apparatus showing our new design;

FIG. 2 is a front view thereof;

FIG. 3 is a rear view thereof;

FIG. 4 is a side view thereof;

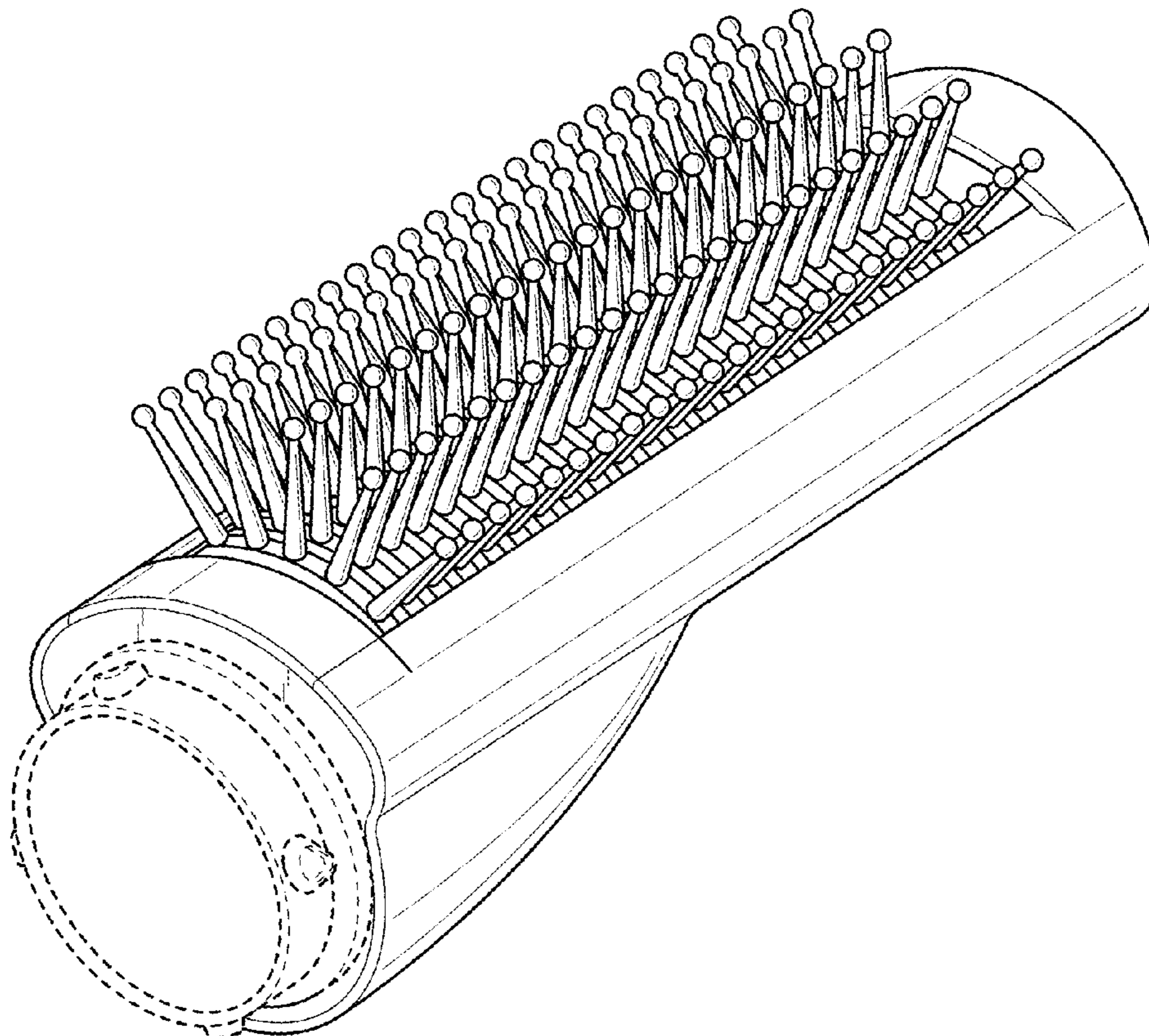
FIG. 5 is a side view of the opposite side of FIG. 4;

FIG. 6 is a top view thereof; and,

FIG. 7 is a bottom view thereof.

The broken lines shown in the drawings illustrate portions of a hair styling and hair care apparatus that form no part of the claimed design.

1 Claim, 7 Drawing Sheets



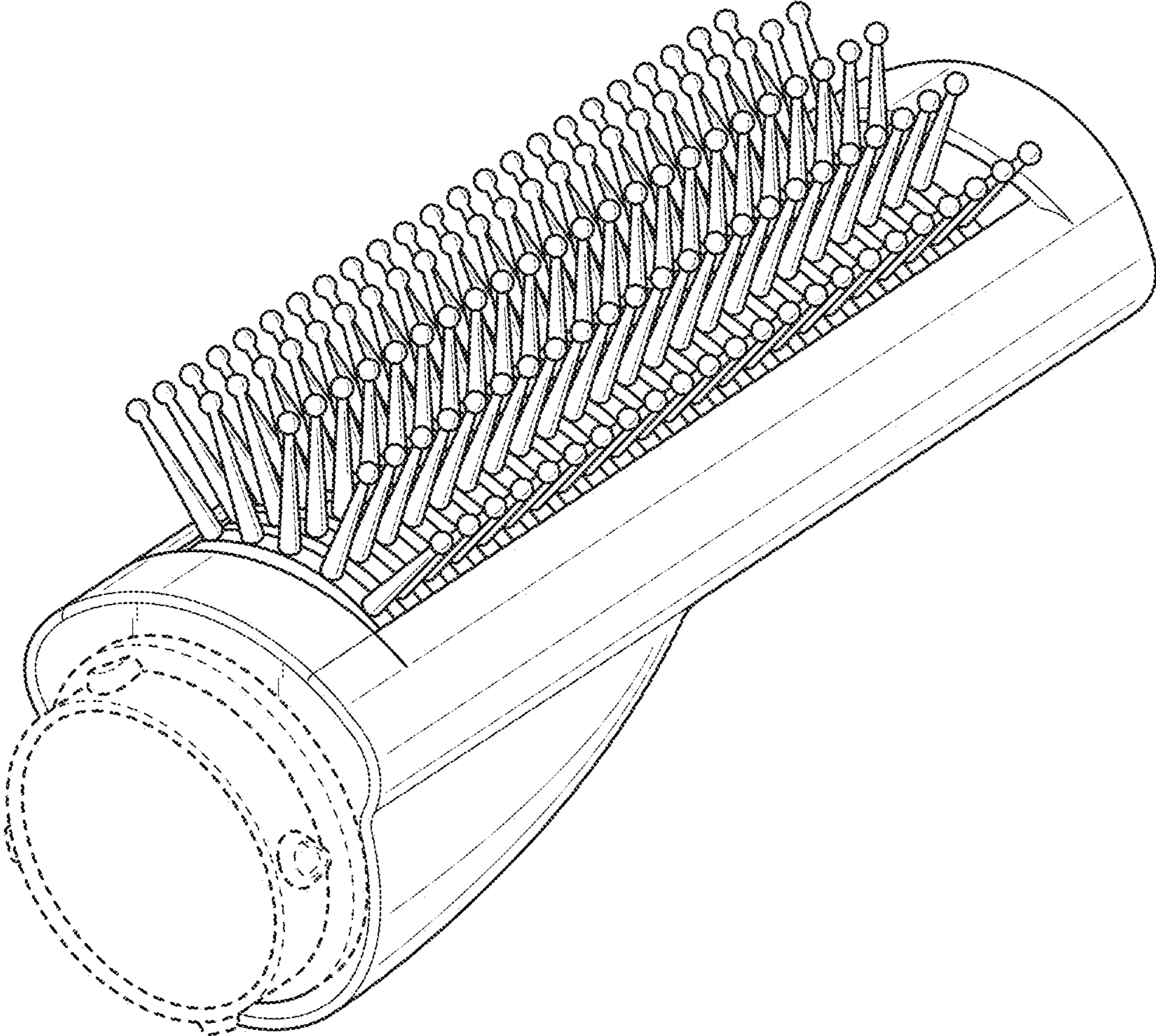


FIG. 1

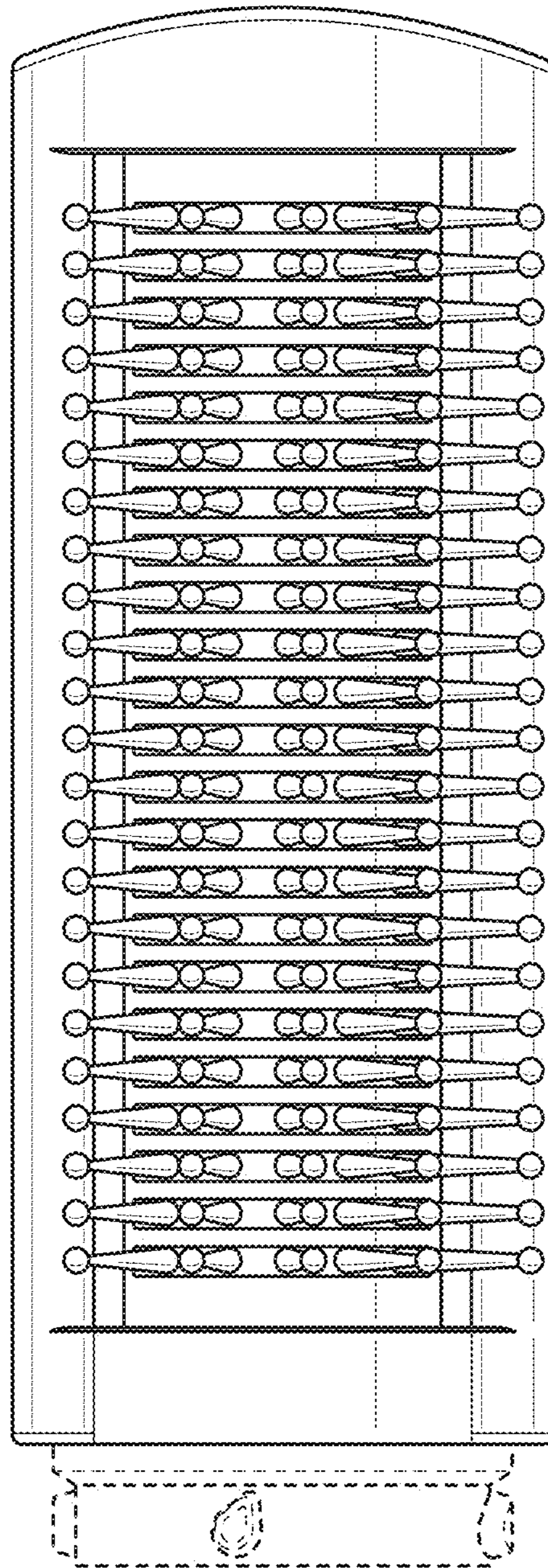


FIG. 2

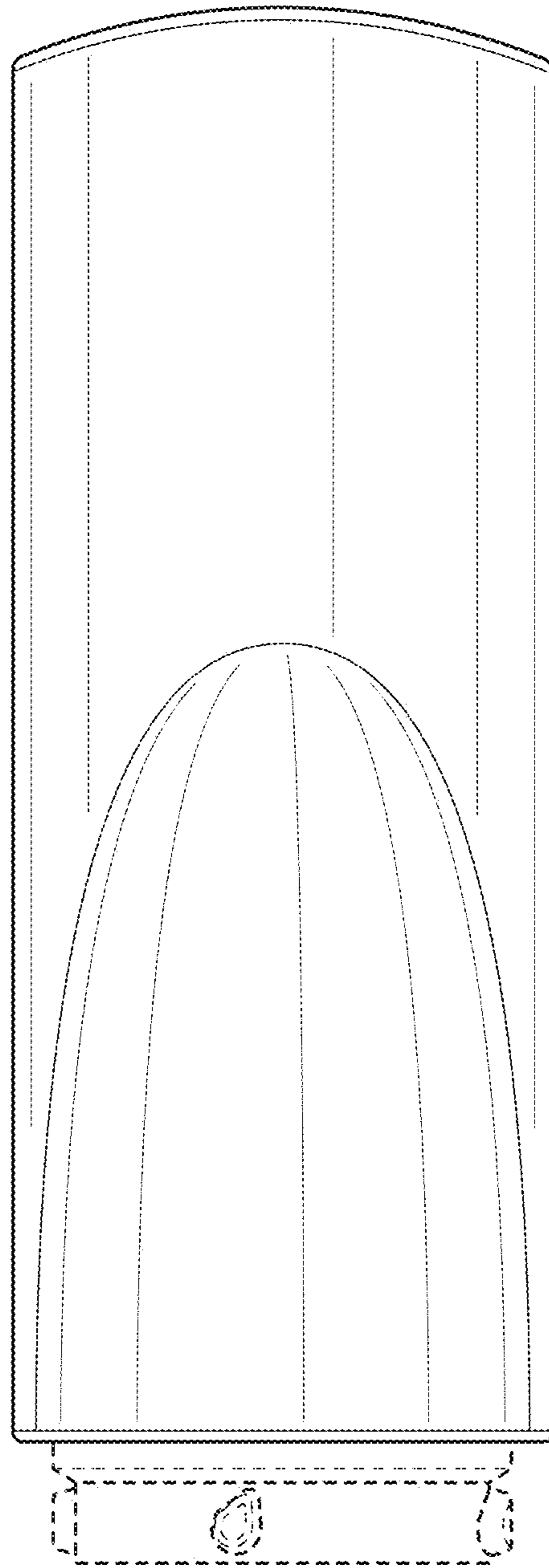


FIG. 3

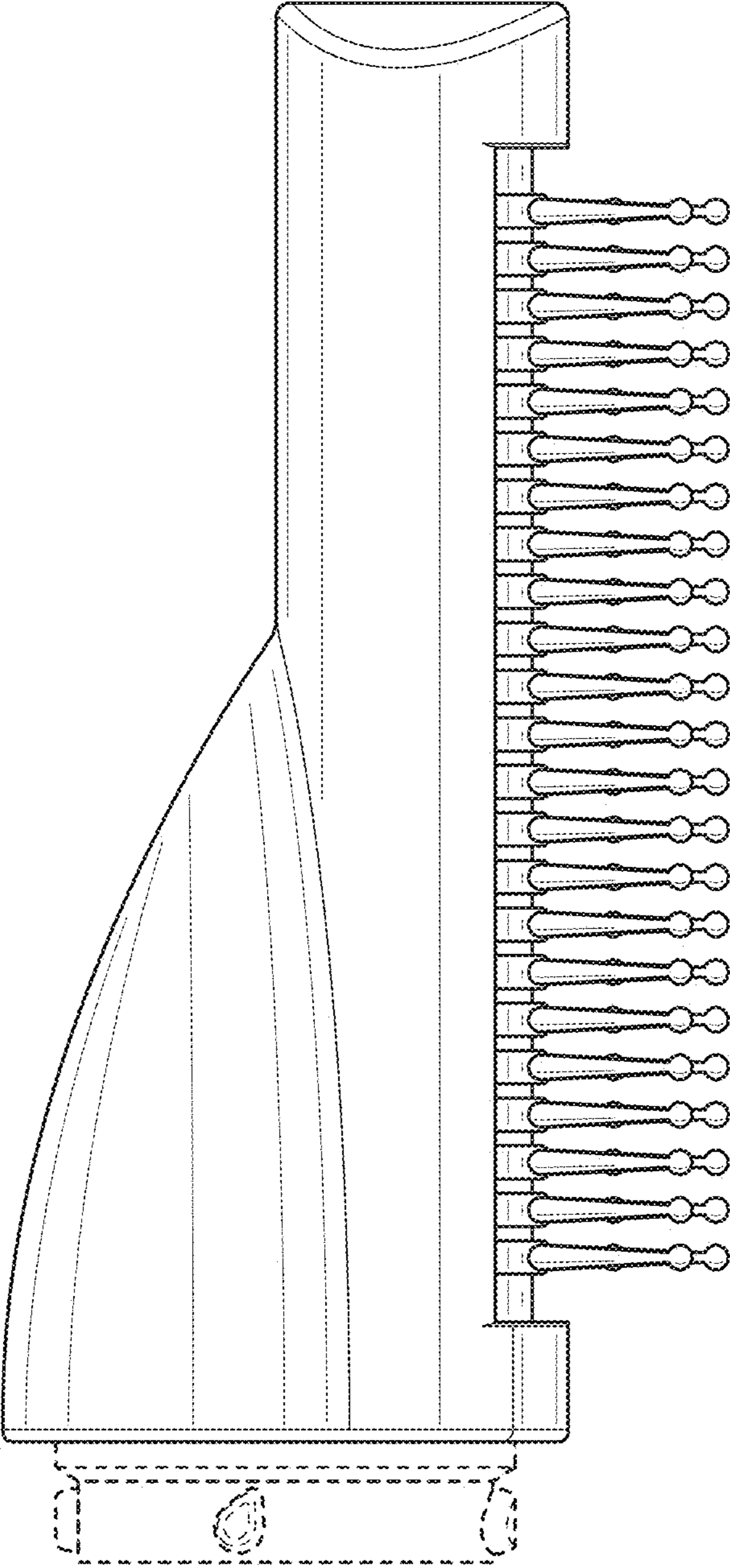


FIG. 4

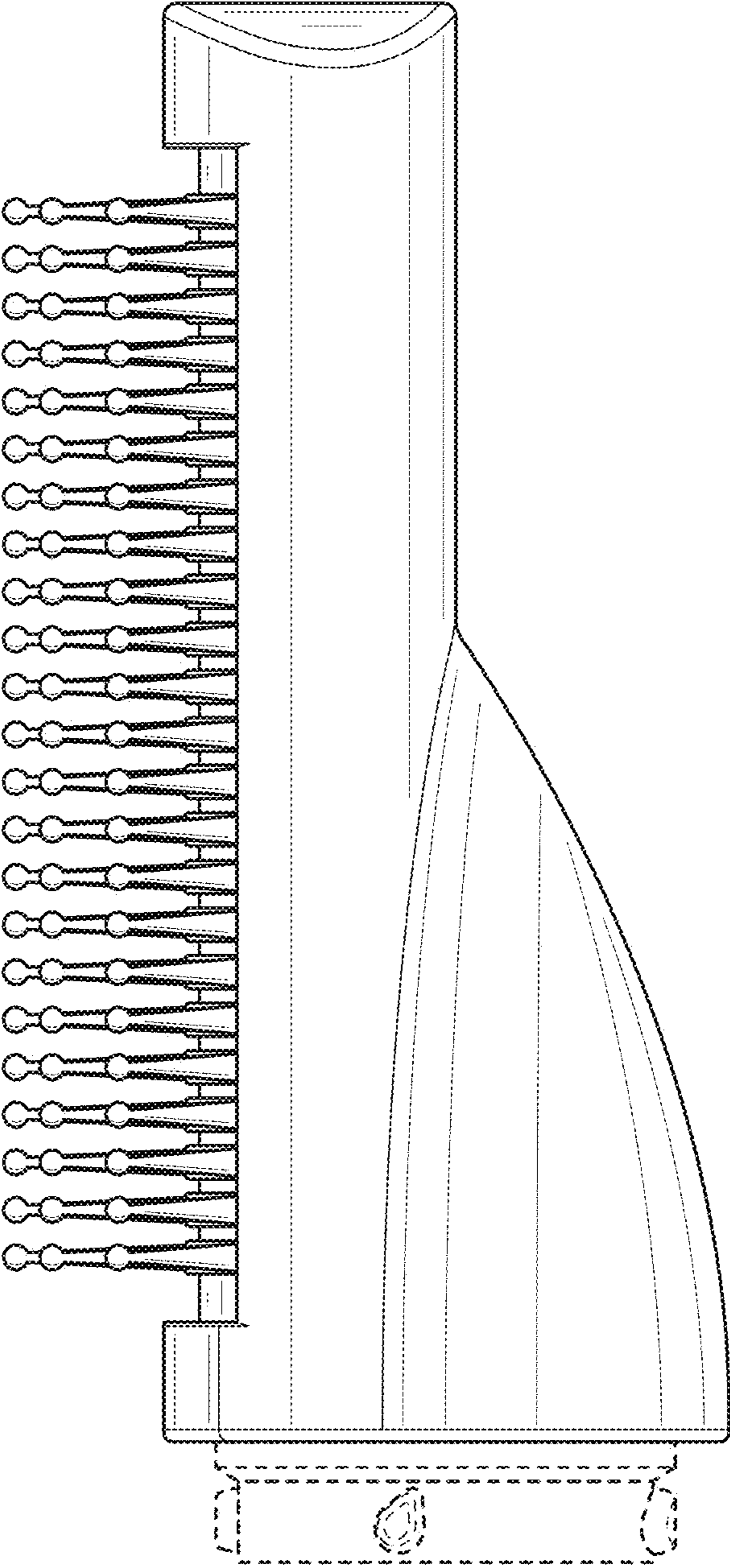


FIG. 5

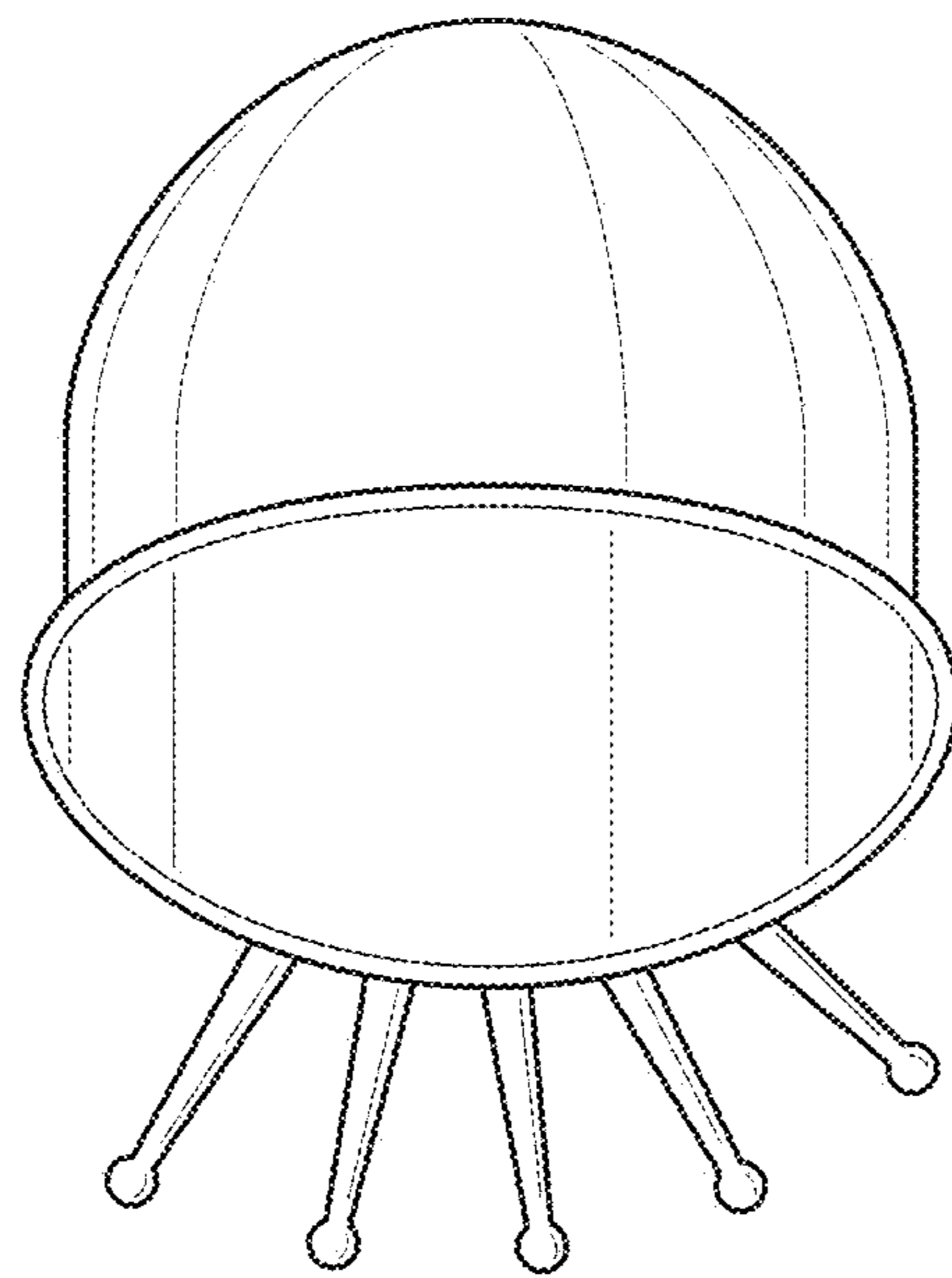


FIG. 6

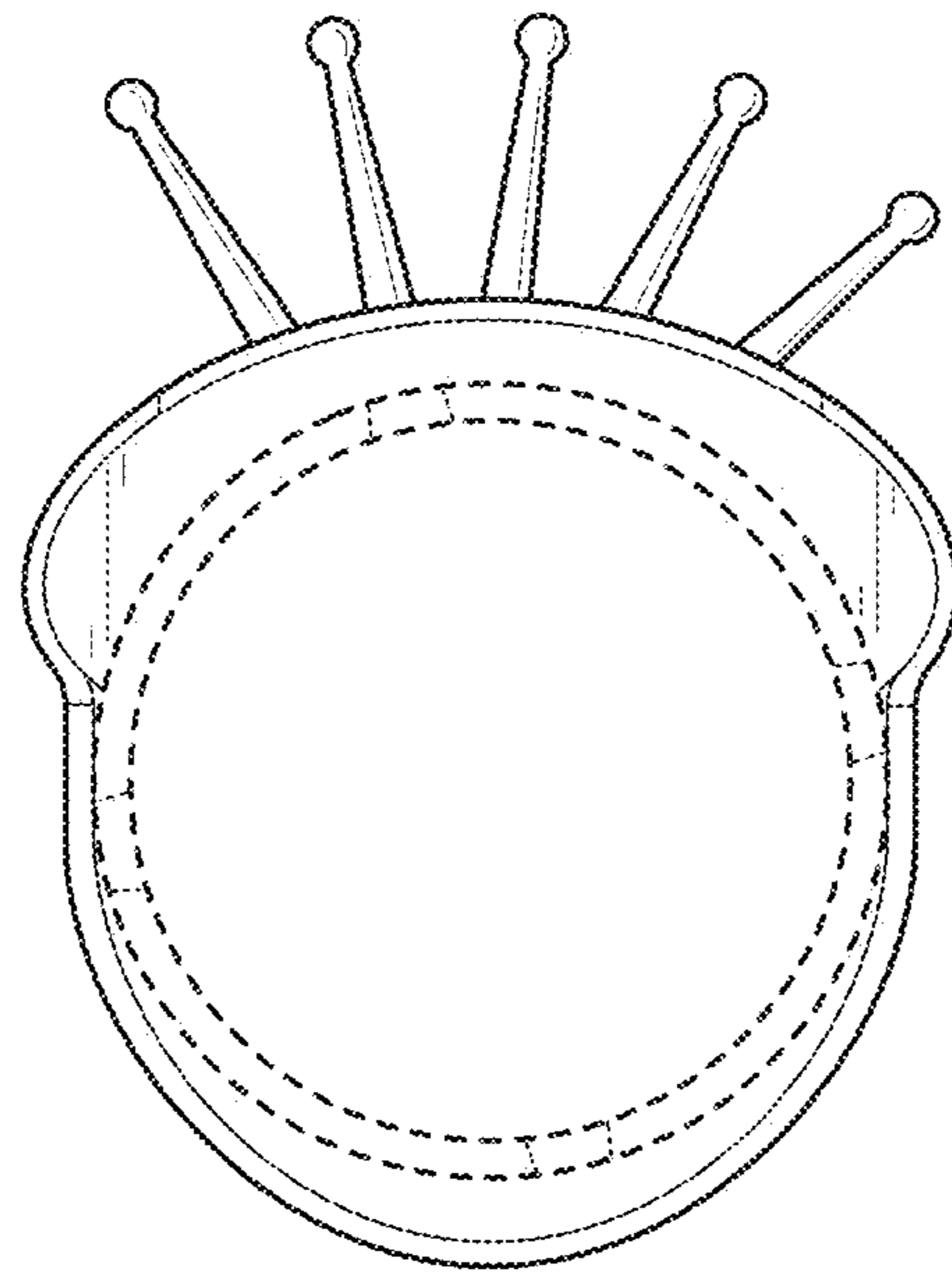


FIG. 7