



US00D885660S

(12) **United States Design Patent** (10) **Patent No.:** **US D885,660 S**
van Kampen et al. (45) **Date of Patent:** **** May 26, 2020**

(54) **SOAP**
(71) Applicant: **MMID PRODUCTS B.V.**, Delft (NL)
(72) Inventors: **Wilmer van Kampen**, Zoetermeer (NL); **Jiaji Zhao**, Delft (NL)
(73) Assignee: **MMID Products B.V.**, Delft (NL)
(**) Term: **15 Years**
(21) Appl. No.: **35/506,239**
(22) Filed: **Jun. 21, 2018**
(80) **Hague Agreement Data**
Int. Filing Date: **Jun. 21, 2018**
Int. Reg. No.: **DM/103134**
Int. Reg. Date: **Jun. 21, 2018**
Int. Reg. Pub. Date: **Dec. 21, 2018**
(30) **Foreign Application Priority Data**

D285,490 S * 9/1986 Tovey D24/101
D298,063 S * 10/1988 Bussell D28/8.1
D304,626 S * 11/1989 Contractor D24/102
5,250,210 A * 10/1993 Von Culin C11D 13/16
510/143
D397,507 S * 8/1998 Bern D28/8.1
D428,198 S * 7/2000 Beaujean D28/8.1
D429,542 S * 8/2000 Beaujean D28/8.1
D431,320 S * 9/2000 Beaujean D28/8.1
D436,226 S * 1/2001 Neergaard D24/101
D436,688 S * 1/2001 Beaujean D28/8.1
D442,332 S * 5/2001 Friesenhahn D28/8.1
D442,333 S * 5/2001 Friesenhahn D28/8.1
D442,334 S * 5/2001 Friesenhahn D28/8.1
D442,738 S * 5/2001 Friesenhahn D28/8.1
D442,739 S * 5/2001 Friesenhahn D28/8.1
D443,105 S * 5/2001 Friesenhahn D28/8.1
D443,107 S * 5/2001 Friesenhahn D28/8.1
D444,914 S * 7/2001 Friesenhahn D28/8.1
D445,955 S * 7/2001 Neergaard D24/101
D446,347 S * 8/2001 Beaujean D28/8.1
D446,348 S * 8/2001 Beaujean D28/8.1
D447,835 S * 9/2001 Whitaker D1/130
D447,836 S * 9/2001 Beaujean D28/8.1
D452,754 S * 1/2002 Neergaard D28/8.1

(Continued)

Dec. 21, 2017 (EM) 4559904-0001
(51) **LOC (12) Cl.** **28-02**
(52) **U.S. Cl.**
USPC **D28/8.1**
CPC **C11D 17/00** (2013.01)
(58) **Field of Classification Search**
USPC D28/8.1, 38, 56, 57, 58, 59, 61, 62,
D28/73-84
CPC . C11D 17/00; C11D 17/0017; C11D 17/0026;
C11D 17/0047-0095; C11D 13/16; C11D
13/18; C11D 13/20
See application file for complete search history.

Primary Examiner — Richard E Chilcot
(74) *Attorney, Agent, or Firm* — Moss & Barnett;
Michael A. Bondi

(57) **CLAIM**

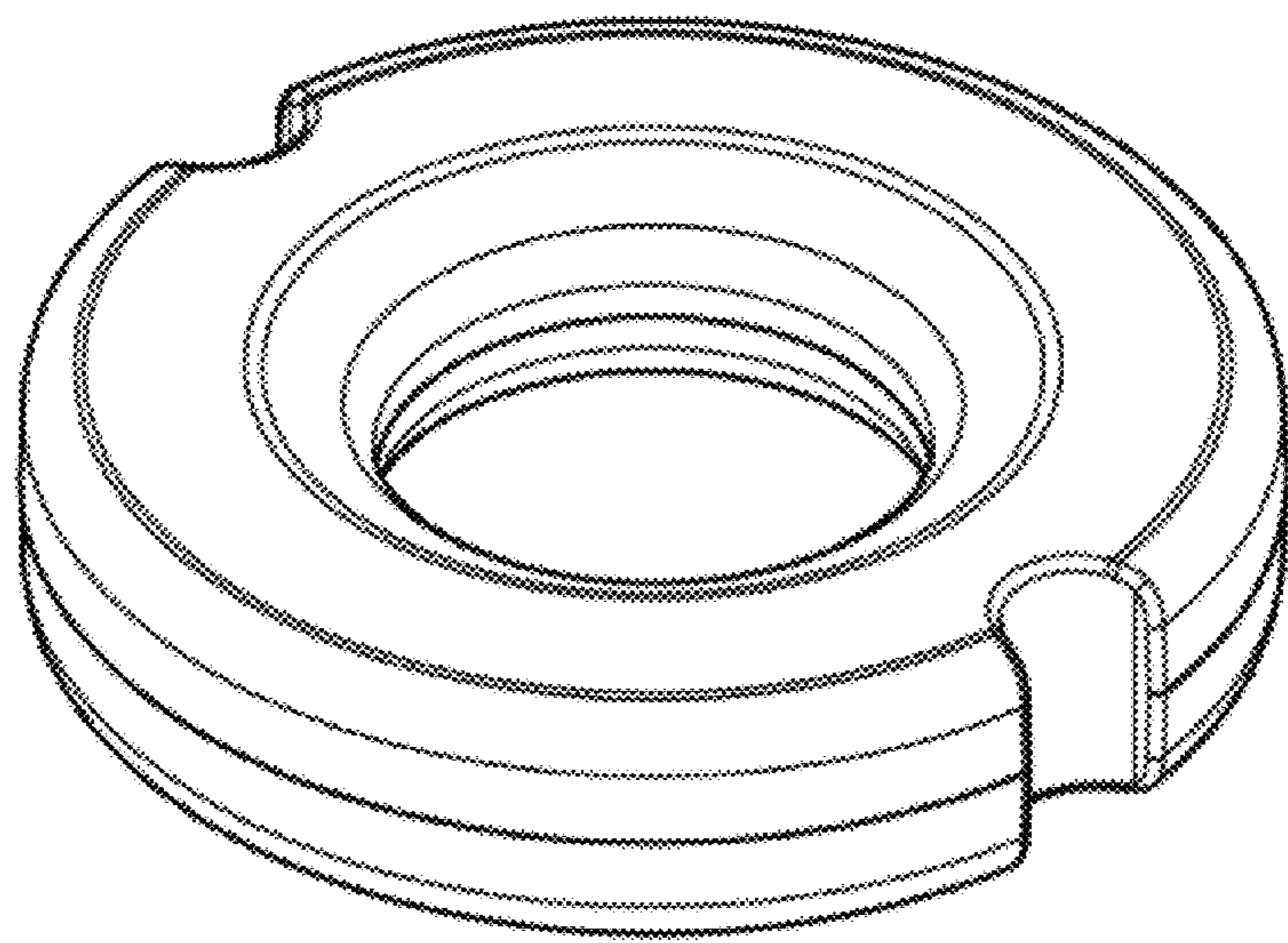
The ornamental design for soap, as shown and described.

DESCRIPTION

1. Soap
Fig. 1.1 is a perspective view of the soap.
Fig. 1.2 is a top view of the soap.
Fig. 1.3 is a bottom view of the soap.
Fig. 1.4 is a first side view of the soap.
Fig. 1.5 is a second side view of the soap.
Fig. 1.6 is a first end view of the soap.
Fig. 1.7 is a second end view of the soap.

1 Claim, 7 Drawing Sheets

(56) **References Cited**
U.S. PATENT DOCUMENTS
1,587,279 A * 6/1926 Burgher C11D 17/00
510/148
1,601,775 A * 10/1926 Scherieble C11D 13/08
264/245



(56)

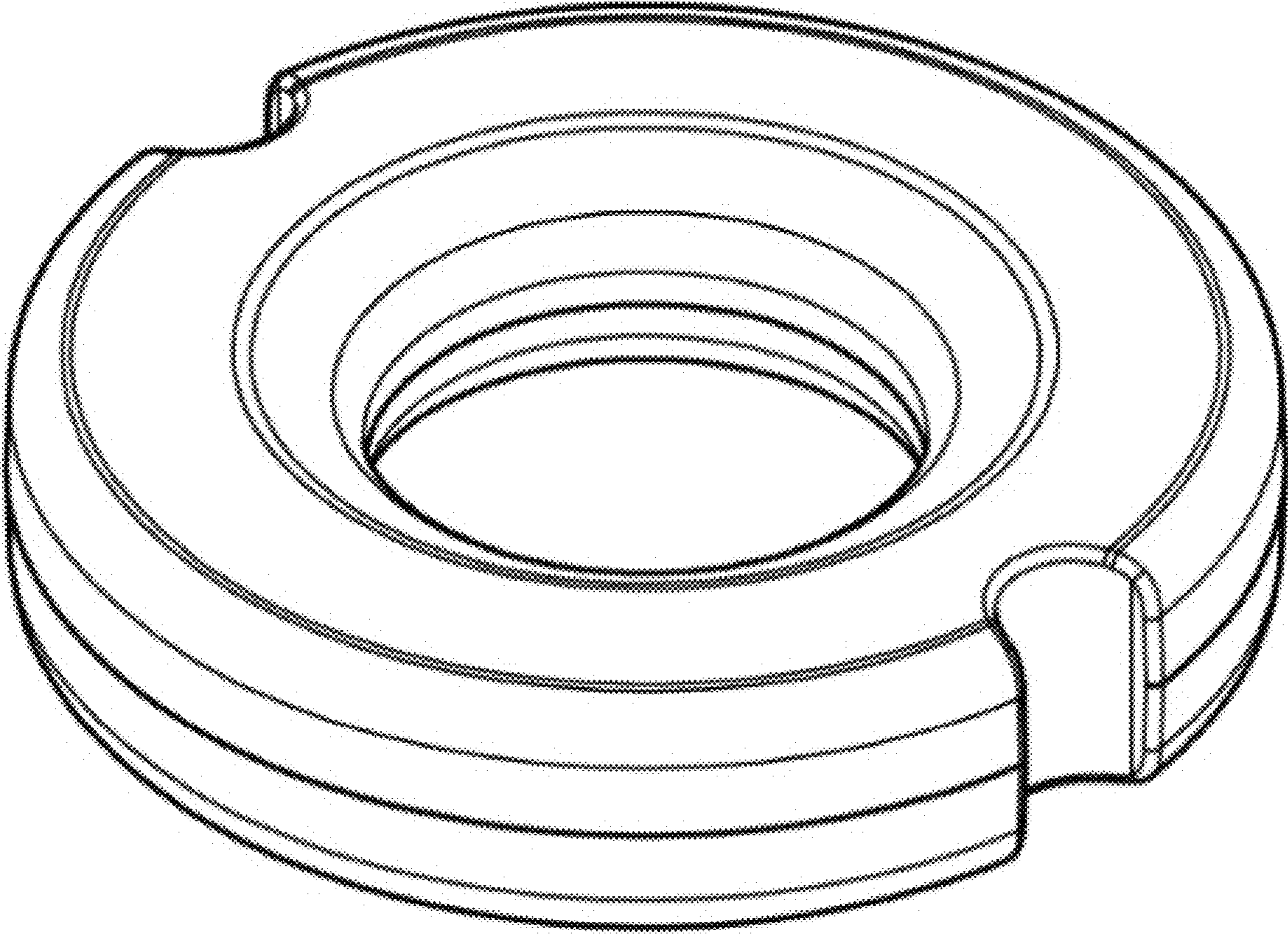
References Cited

U.S. PATENT DOCUMENTS

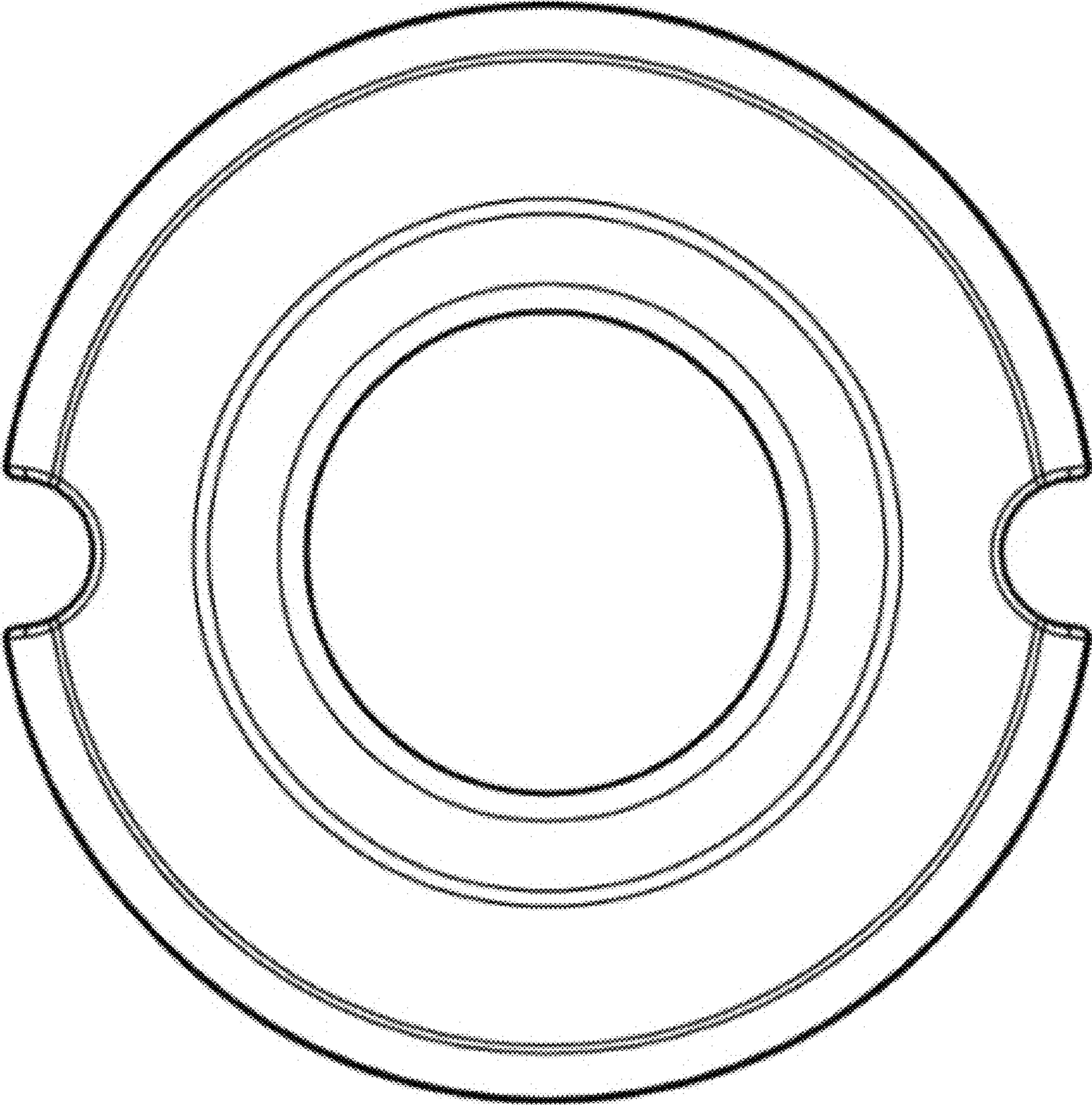
D452,933	S *	1/2002	Friesenhahn	D28/8.1
D465,303	S *	11/2002	Friesenhahn	D28/8.1
D485,943	S *	1/2004	Wong	D28/8.1
D557,797	S *	12/2007	Stawski	D24/101
D587,400	S *	2/2009	Yatsko	D28/8.1
D624,696	S *	9/2010	Hsiao	D24/125
D632,843	S *	2/2011	Wilson	D28/8.1
D650,523	S *	12/2011	Wilson	D28/8.1
D650,524	S *	12/2011	Wilson	D28/8.1
D659,283	S *	5/2012	Caboen	D28/8.1
D676,605	S *	2/2013	Marden	D28/59
D695,957	S *	12/2013	Faria	D28/8.1
D785,239	S *	4/2017	Janardhana, Sr.	D28/8.1
D791,426	S *	7/2017	Petersen	D1/127
D802,840	S *	11/2017	Donald	D28/8.1
D844,895	S *	4/2019	Macias Mejia	D28/8.1
2007/0270322	A1 *	11/2007	Pak	C11D 17/0047 510/141
2012/0071387	A1 *	3/2012	Aesch, Jr.	C11D 17/04 510/449

* cited by examiner

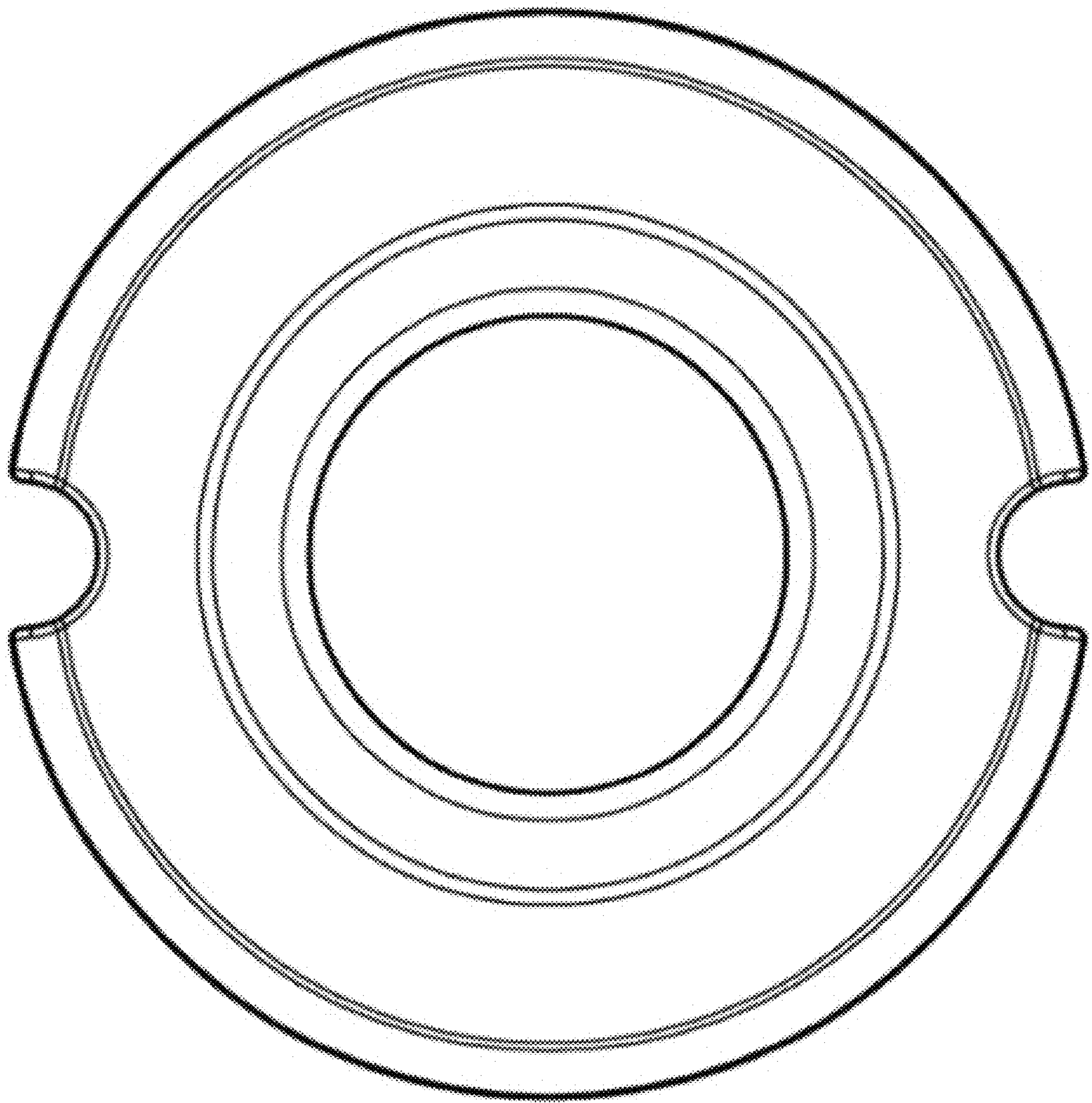
1.1



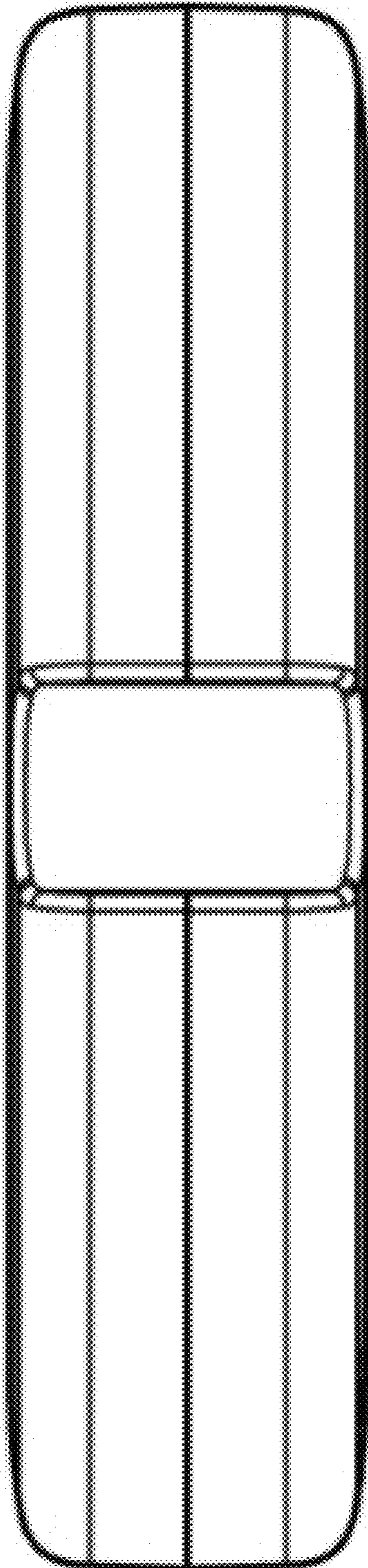
1.2



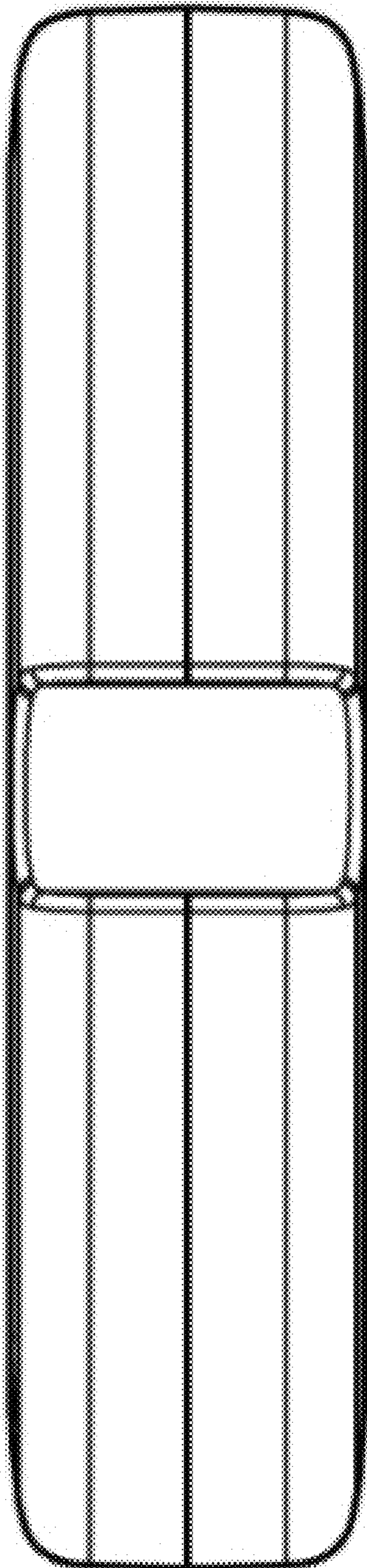
1.3



1.4



1.5



1.6



1.7

