



US00D885659S

(12) **United States Design Patent** (10) **Patent No.:** **US D885,659 S**  
**Star** (45) **Date of Patent:** **\*\* May 26, 2020**

(54) **LIP LINER APPLICATOR**

(71) Applicant: **JEFFREE STAR COSMETICS, INC.**,  
Chatsworth, CA (US)

(72) Inventor: **Jeffree Star**, Chatsworth, CA (US)

(73) Assignee: **Jeffree Star Cosmetics, Inc.**,  
Chatsworth, CA (US)

(\*\*) Term: **15 Years**

(21) Appl. No.: **29/684,497**

(22) Filed: **Mar. 21, 2019**

(51) **LOC (12) Cl.** ..... **28-03**

(52) **U.S. Cl.**  
USPC ..... **D28/7**

(58) **Field of Classification Search**  
USPC ..... D28/7, 8, 20, 76, 85, 99; D24/119;  
D19/163, 173, 186  
CPC ..... A45D 2200/10; A45D 2200/1018; A45D  
2200/1036; A61M 35/00; A61M 35/003  
See application file for complete search history.

(56) **References Cited**

**U.S. PATENT DOCUMENTS**

D370,088 S \* 5/1996 Burns ..... D19/117  
D499,841 S \* 12/2004 Angeletta ..... D24/200

D585,158 S \* 1/2009 Hartstock ..... D28/7  
D586,047 S \* 2/2009 Hartstock ..... D28/7  
D686,367 S \* 7/2013 Ruiz, Sr. .... D28/7  
D696,816 S \* 12/2013 Kordulla ..... D28/7  
D746,513 S \* 12/2015 Monical ..... D28/7  
D854,241 S \* 7/2019 Star ..... D28/7  
D870,966 S \* 12/2019 Choi ..... D28/7  
D879,373 S \* 3/2020 Hwang ..... D28/7

\* cited by examiner

*Primary Examiner* — Zenia I Bennett

(74) *Attorney, Agent, or Firm* — Millen, White, Zelano &  
Branigan, P.C.; William Nixon

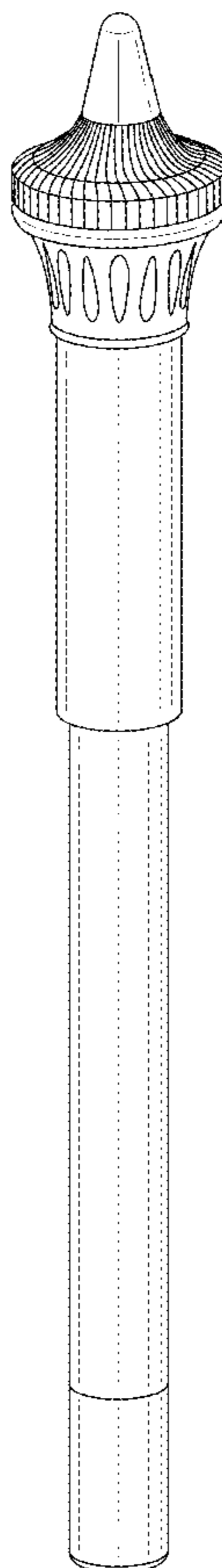
(57) **CLAIM**

The ornamental design for a lip liner applicator, as shown and described.

**DESCRIPTION**

FIG. 1 illustrates a front perspective view of the lip liner applicator having my claimed design;  
FIG. 2 illustrates a side elevational view thereof;  
FIG. 3 illustrates a top plan view thereof; and,  
FIG. 4 illustrates a bottom plan view thereof.

**1 Claim, 4 Drawing Sheets**



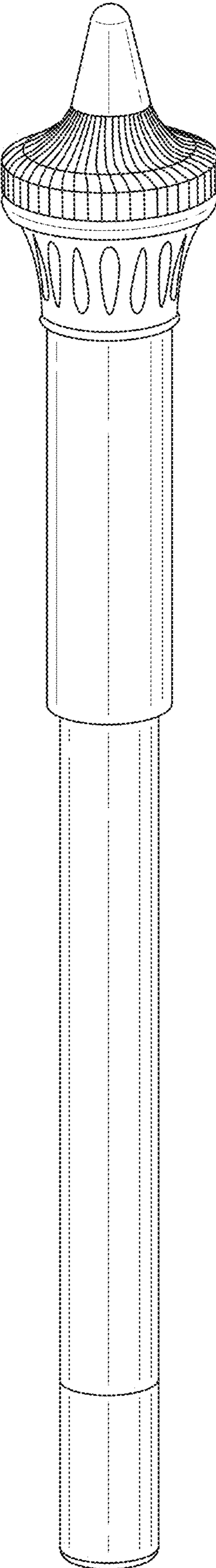


FIG. 1

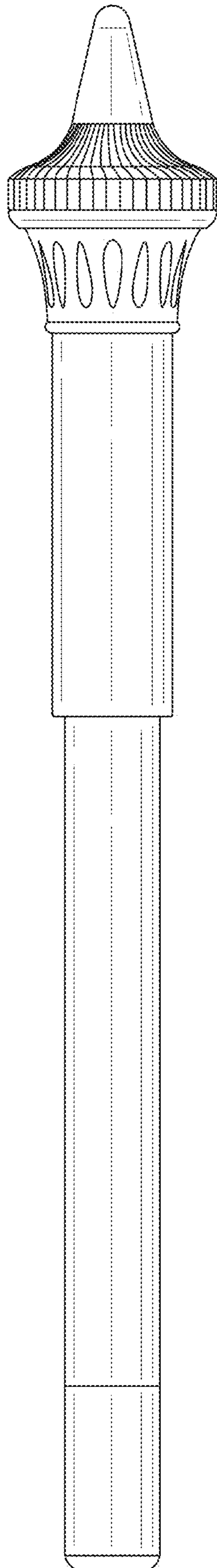


FIG. 2

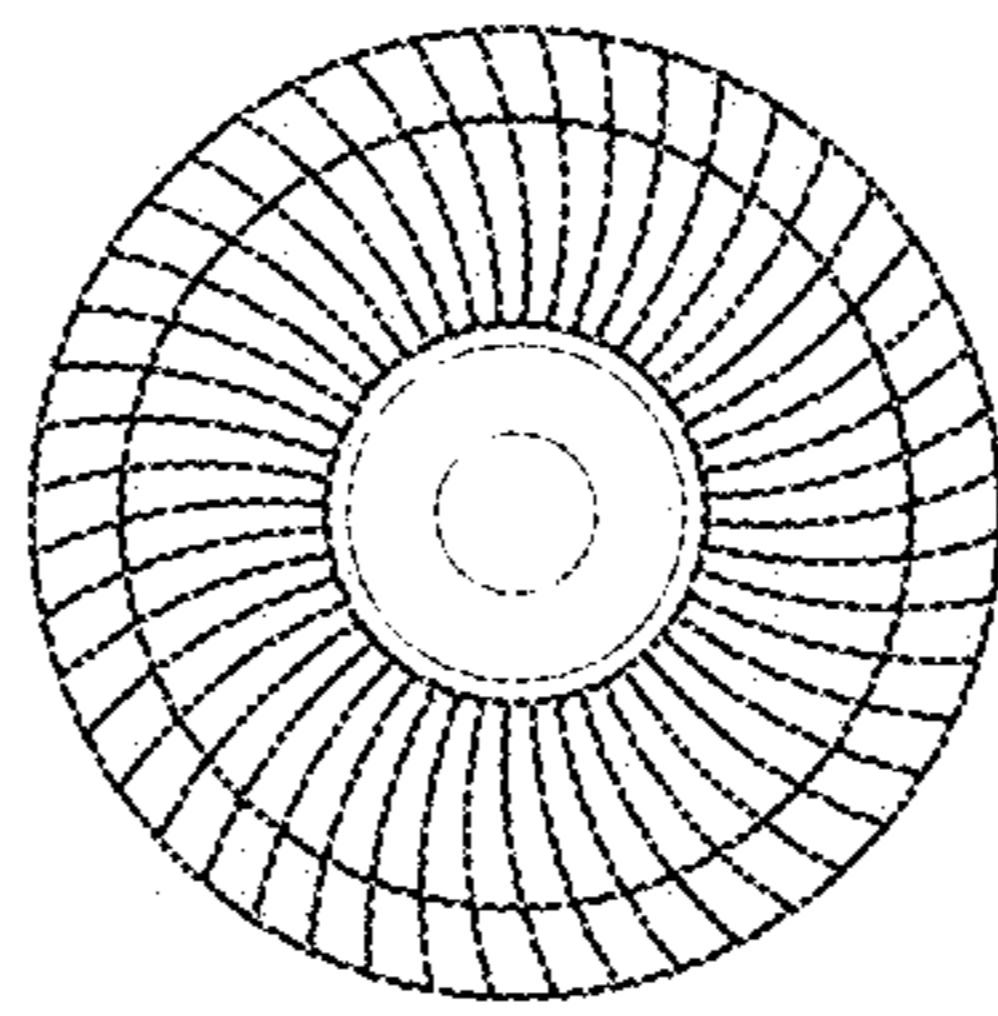


FIG. 3

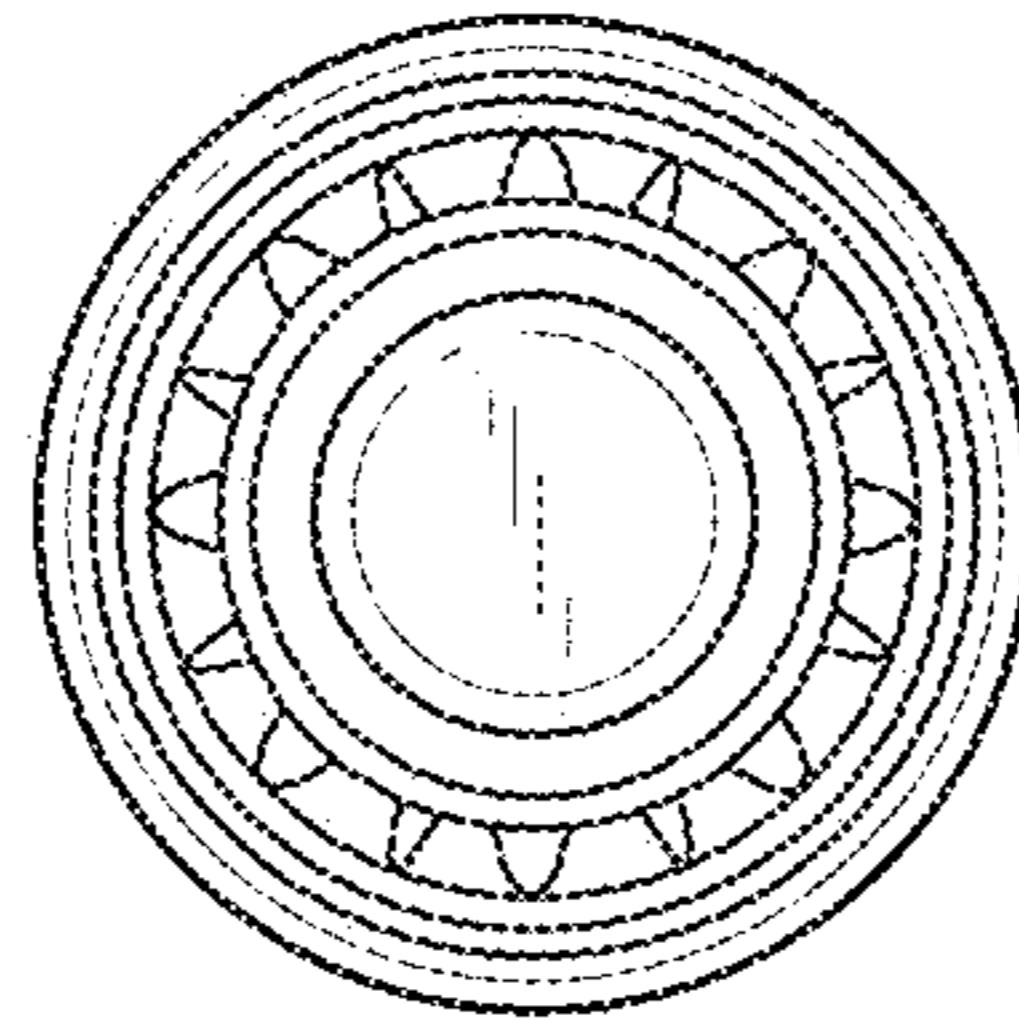


FIG. 4