



US00D885653S

(12) **United States Design Patent** (10) **Patent No.:** **US D885,653 S**
Ding et al. (45) **Date of Patent:** **** May 26, 2020**

(54) **ELECTRONIC CIGARETTE**
(71) Applicant: **ALD GROUP LIMITED**, Shenzhen, Guangdong Province (CN)
(72) Inventors: **Yi Ding**, Shenzhen (CN); **Caifeng Feng**, Shenzhen (CN)
(**) Term: **15 Years**
(21) Appl. No.: **29/670,960**
(22) Filed: **Nov. 21, 2018**
(51) **LOC (12) Cl.** **27-02**
(52) **U.S. Cl.**
USPC **D27/162**
(58) **Field of Classification Search**
USPC D27/162, 100, 101, 163–165, 172, D27/174–176, 183, 186–192, 194, 185; 128/202.21, 203.12; 131/191, 329, 330, 131/273, 270, 360–365
CPC A24F 9/00; A24F 47/002; A24F 47/004; A24F 47/006; A24F 47/008; A61M 15/00; A61M 15/06
See application file for complete search history.

2016/0007654 A1* 1/2016 Zhu A24F 47/008 131/328
2017/0013881 A1* 1/2017 Liu A24F 47/008
2018/0343923 A1* 12/2018 Chen A24F 47/008
2018/0360126 A1* 12/2018 Chen A24F 47/008

* cited by examiner
Primary Examiner — Marissa J Cash
Assistant Examiner — Rebecca Tsehaye
(74) *Attorney, Agent, or Firm* — HYIP

(57) **CLAIM**

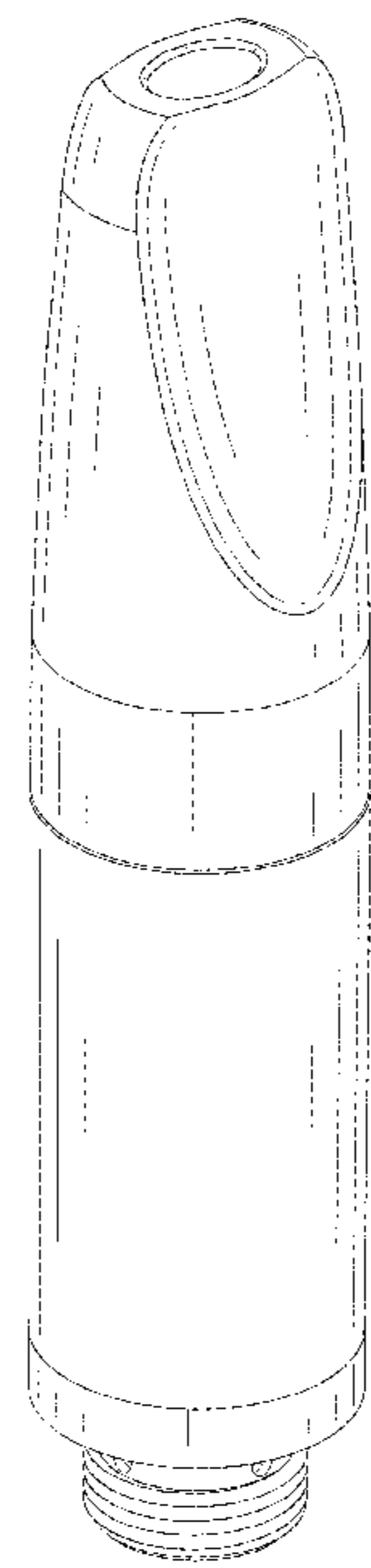
The ornamental design for an electronic cigarette, as shown and described.

DESCRIPTION

FIG. 1 is a front view of an electronic cigarette showing my new design;
FIG. 2 is a rear view thereof;
FIG. 3 is a left side view thereof;
FIG. 4 is a right side view thereof;
FIG. 5 is a top view thereof;
FIG. 6 is a bottom view thereof;
FIG. 7 is a perspective view thereof;
FIG. 8 is another perspective view thereof;
FIG. 9 is a front view of an electronic cigarette according to a second embodiment showing my new design;
FIG. 10 is a rear view thereof;
FIG. 11 is a left side view thereof;
FIG. 12 is a right side view thereof;
FIG. 13 is a top view thereof;
FIG. 14 is a bottom view thereof;
FIG. 15 is a perspective view thereof; and,
FIG. 16 is another perspective view thereof.
The broken lines depict portions of the electronic cigarette that form no part of the claimed design.

1 Claim, 16 Drawing Sheets

(56) **References Cited**
U.S. PATENT DOCUMENTS
D749,261 S * 2/2016 Chen D27/162
D771,307 S * 11/2016 Wu D27/101
D780,991 S * 3/2017 Liu D27/101
D784,610 S * 4/2017 Bosch D27/101
D806,943 S * 1/2018 Liu D27/101
D811,652 S * 2/2018 Liu D27/167
D817,544 S * 5/2018 Chen D27/167
9,968,127 B2 * 5/2018 Han A24F 1/28
D823,534 S * 7/2018 Chen D27/162
D849,317 S * 5/2019 Qiu D27/162
D853,635 S * 7/2019 Chen D27/194



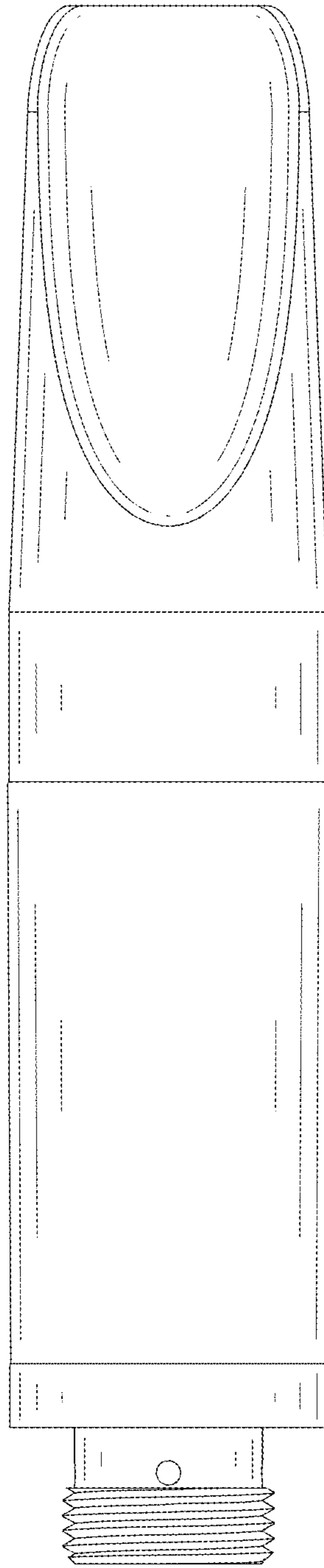


FIG.1

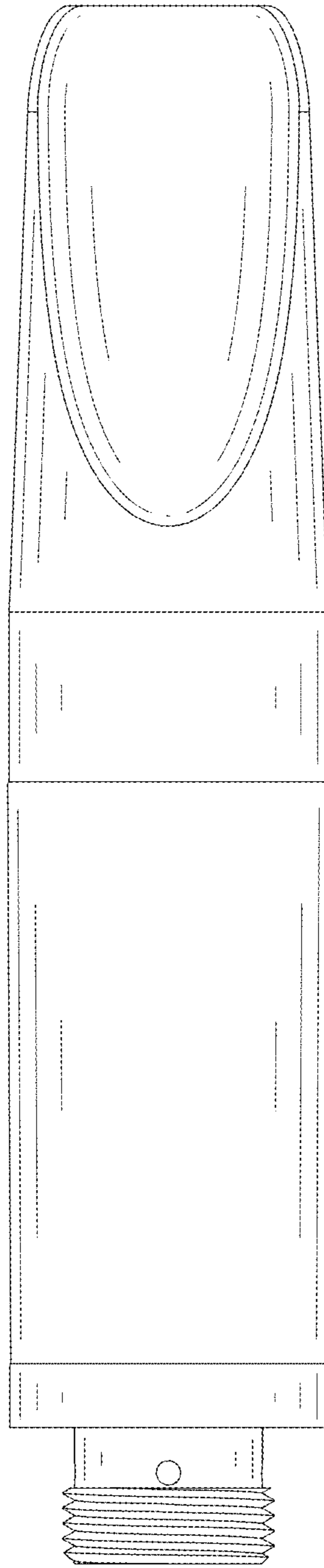


FIG.2

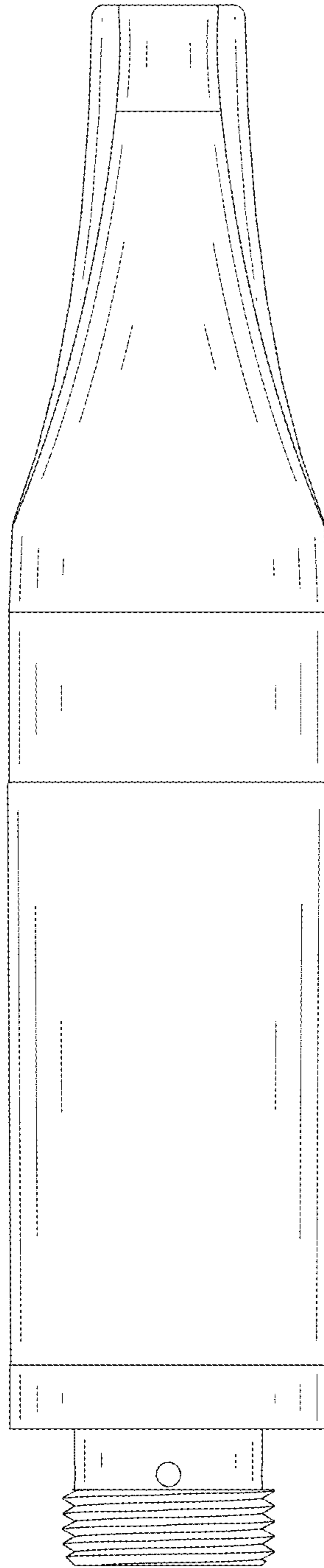


FIG.3

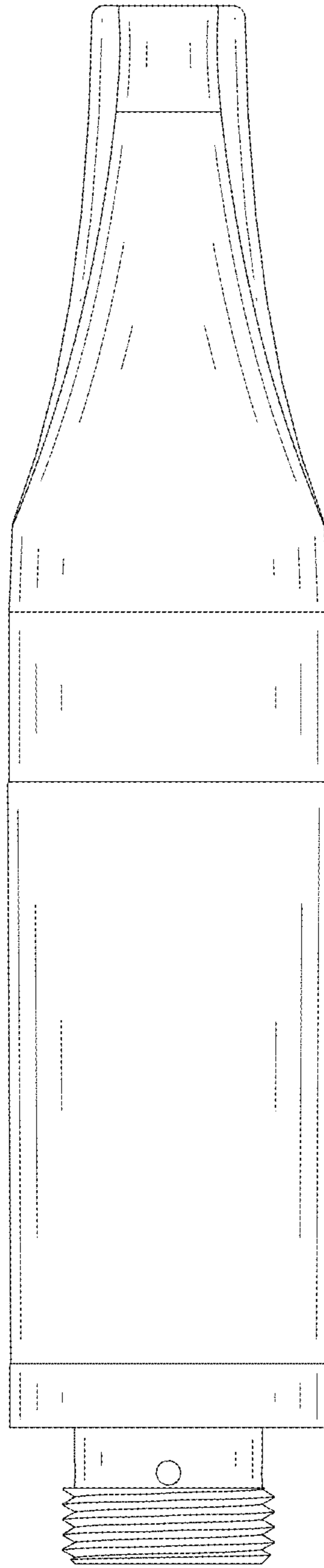


FIG.4

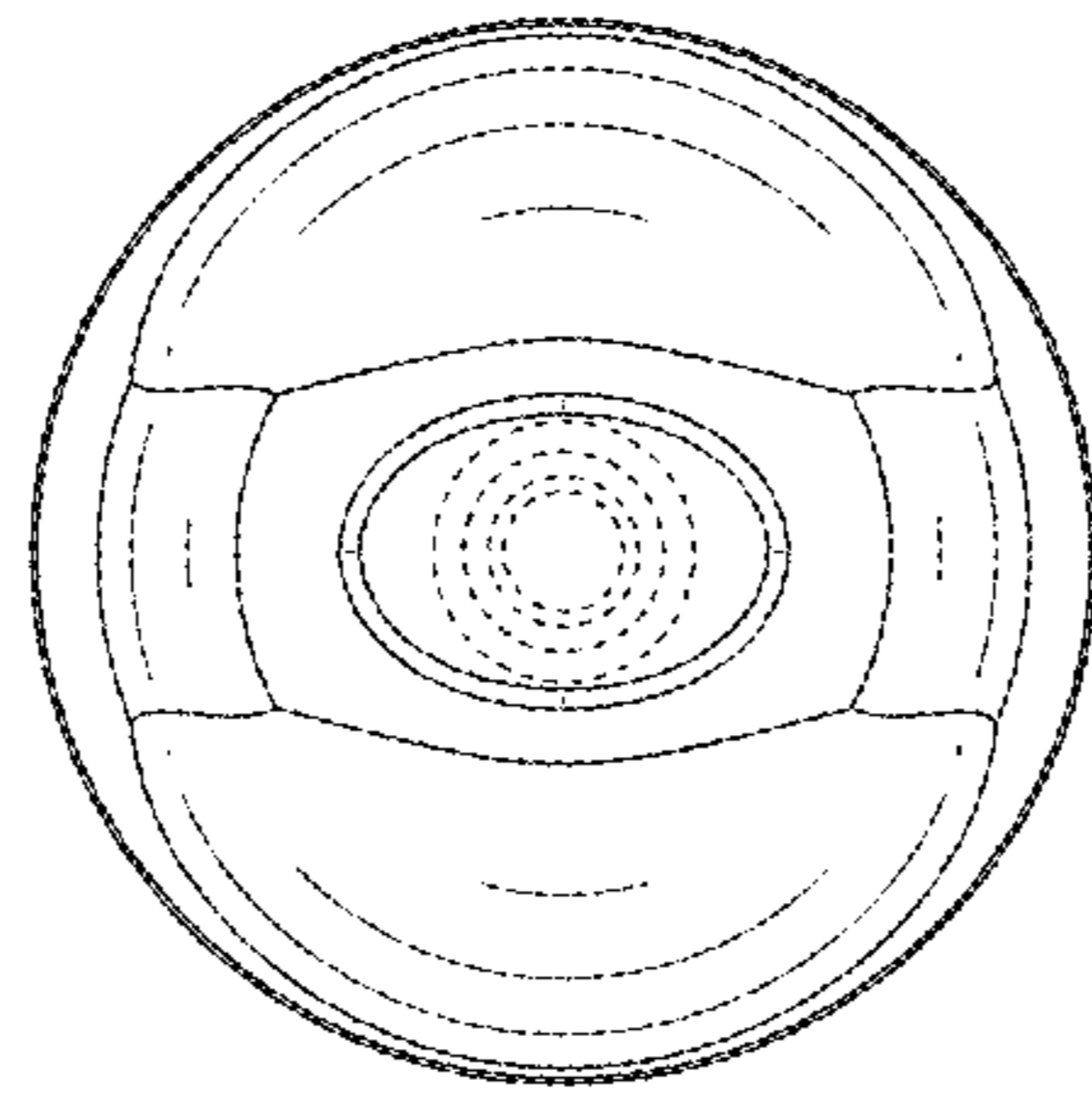


FIG.5

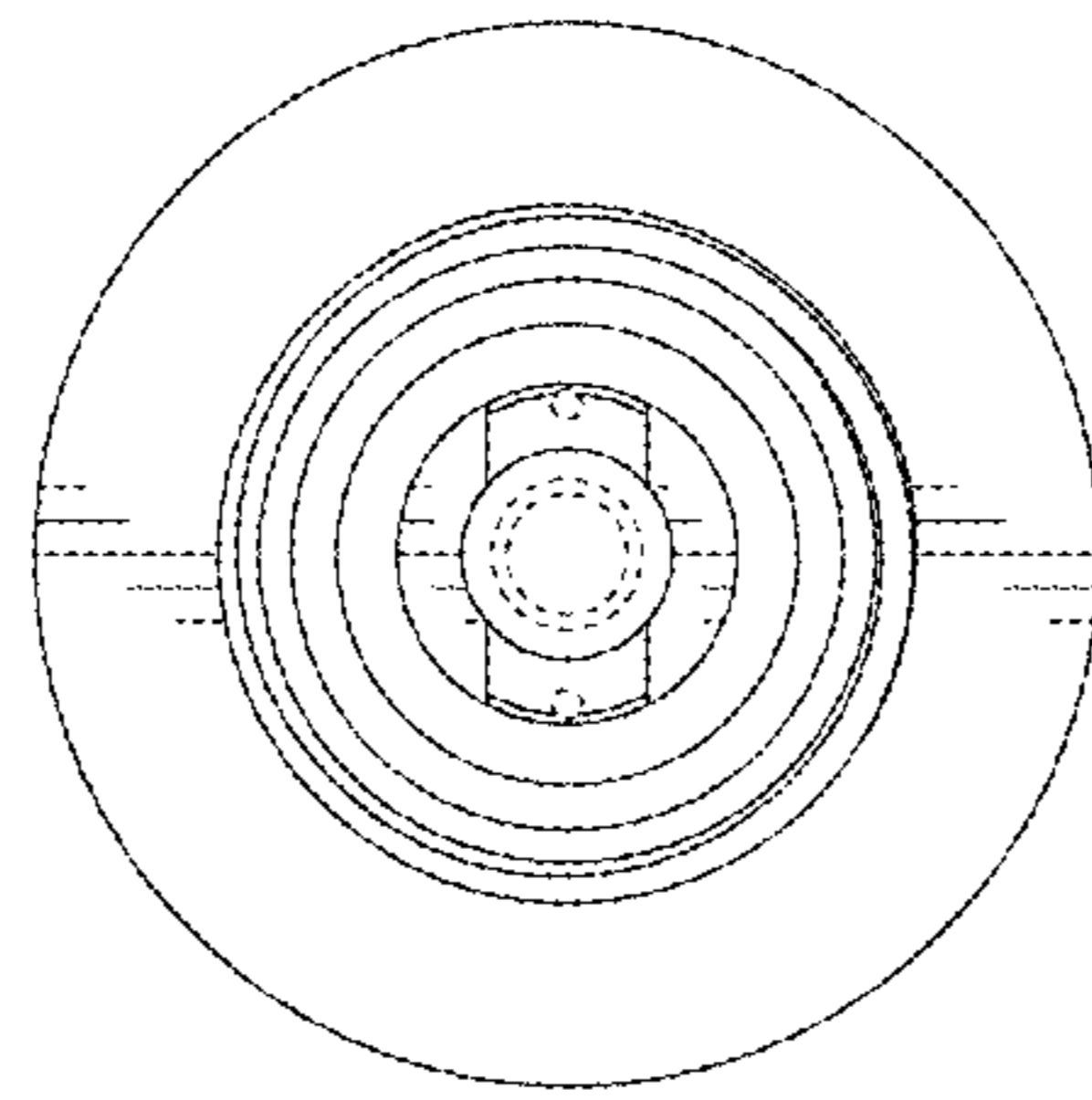


FIG.6

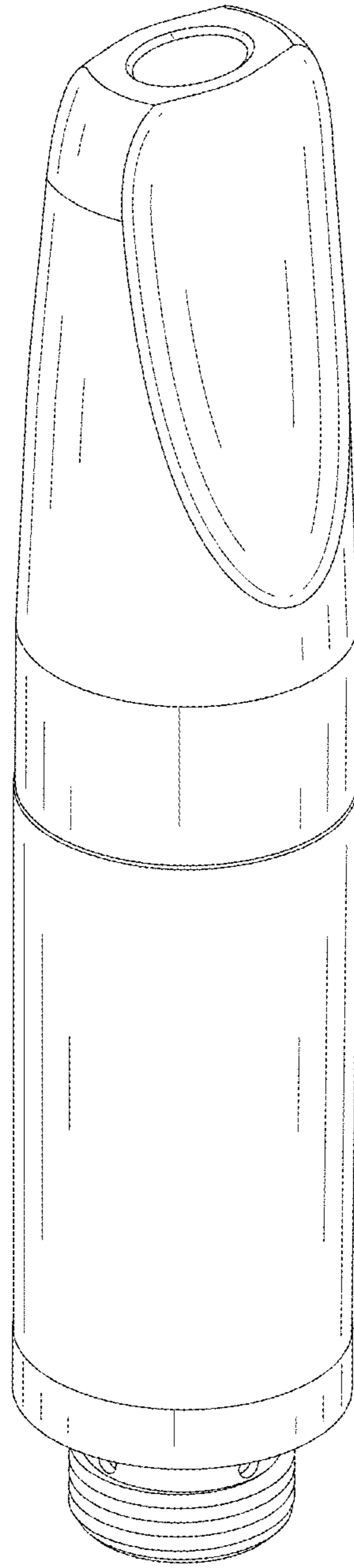


FIG.7

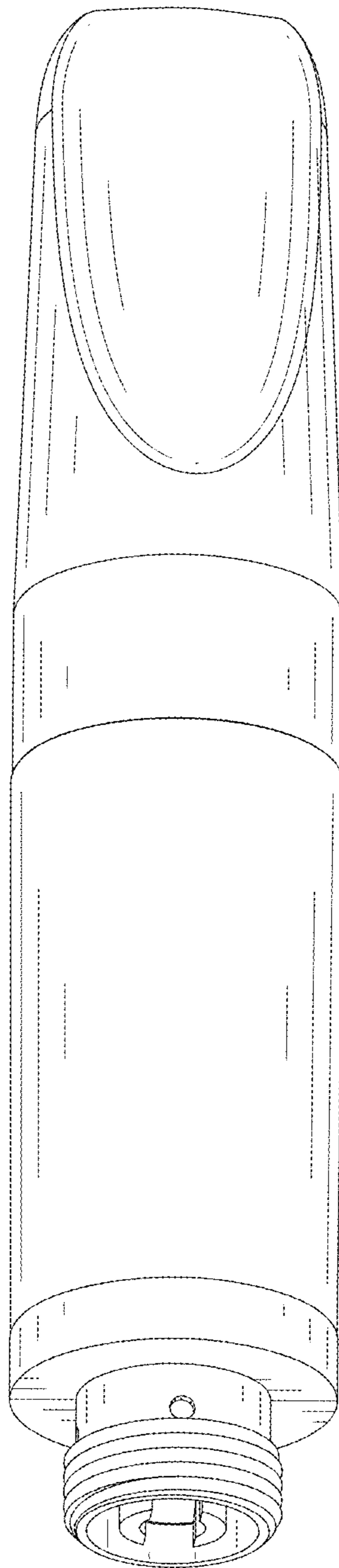


FIG. 8

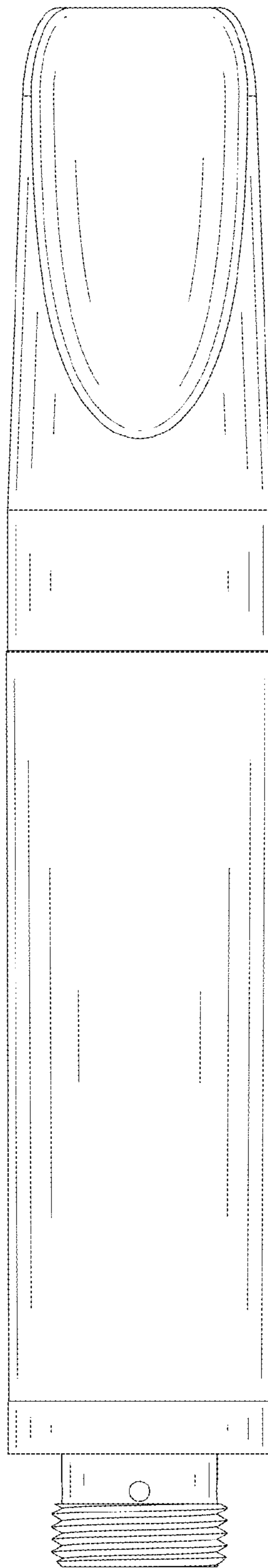


FIG.9

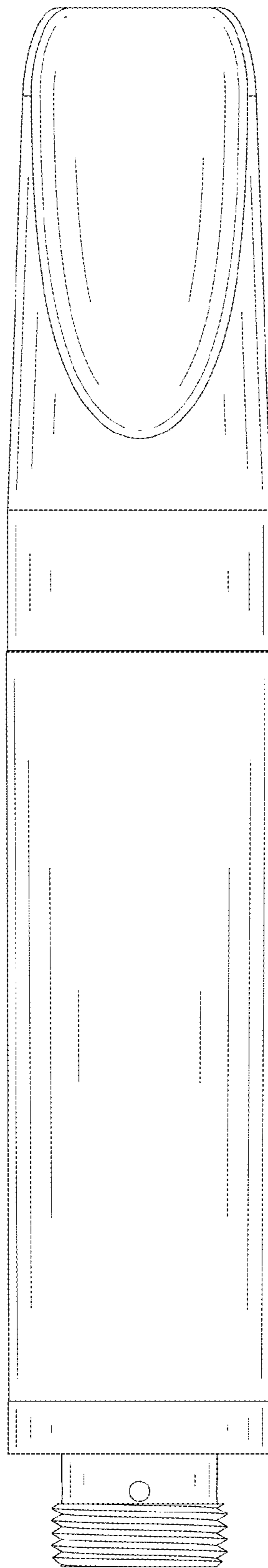


FIG.10

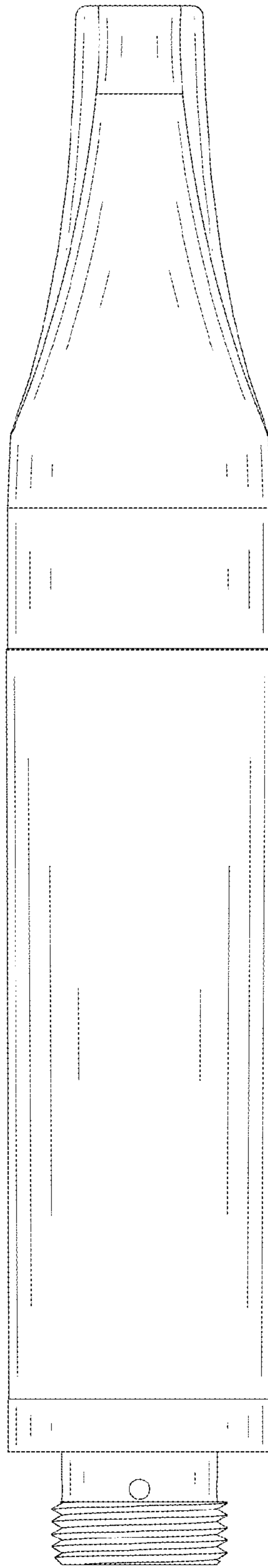


FIG.11

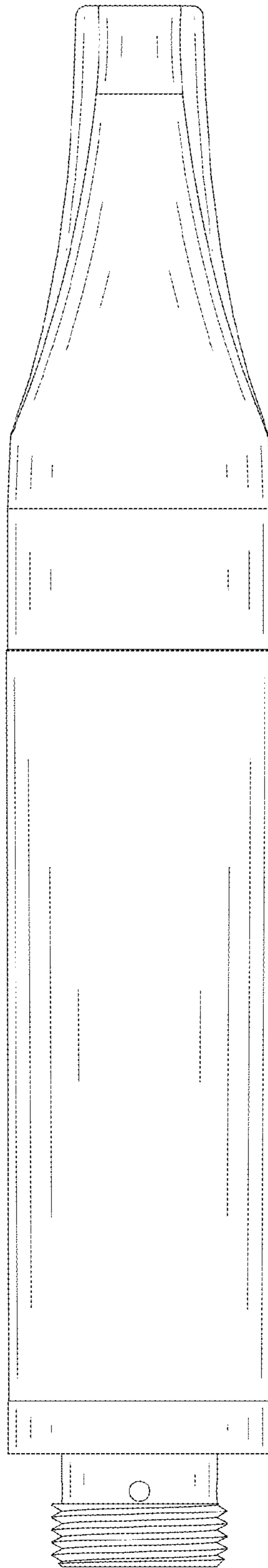


FIG.12

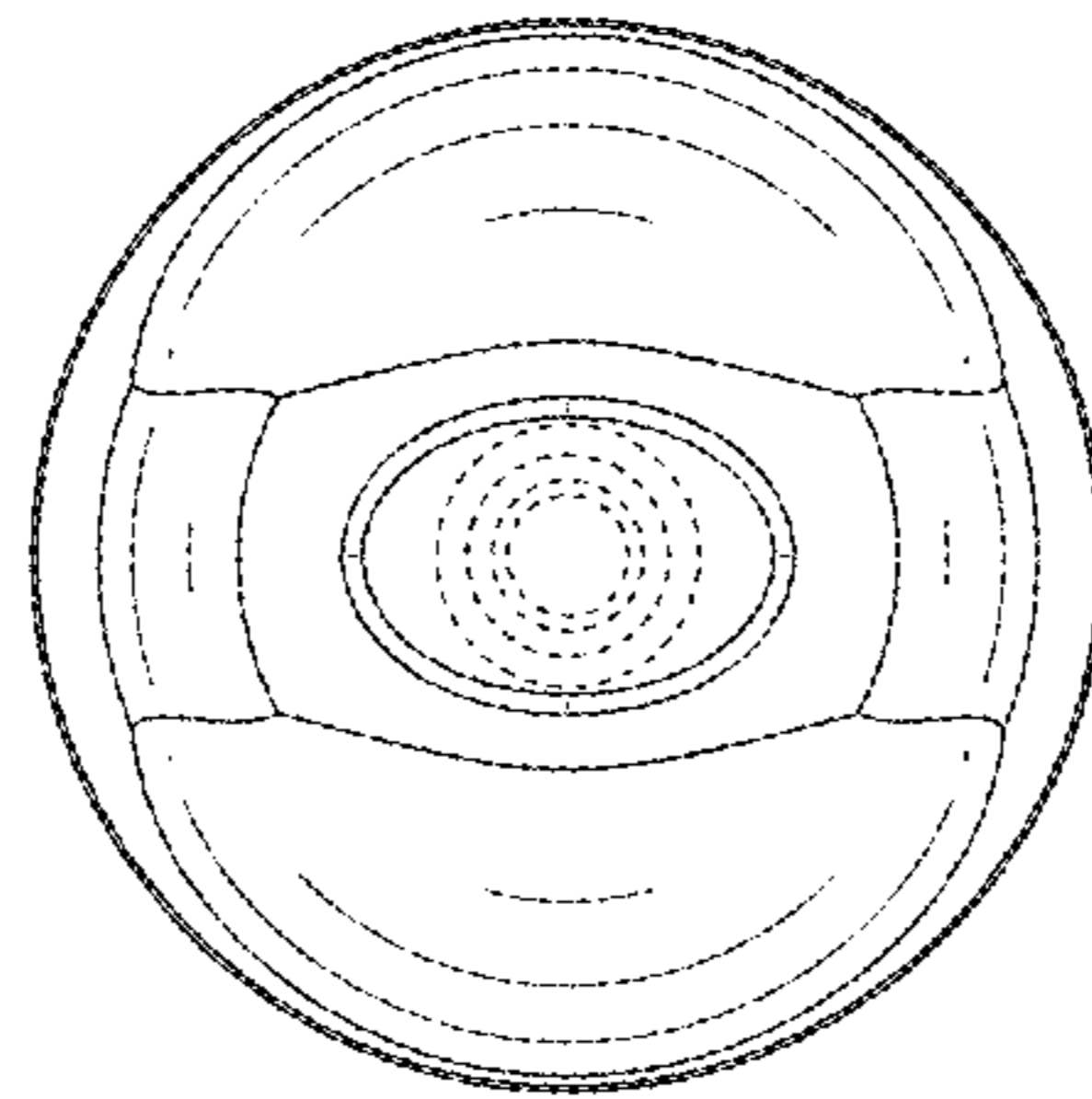


FIG.13

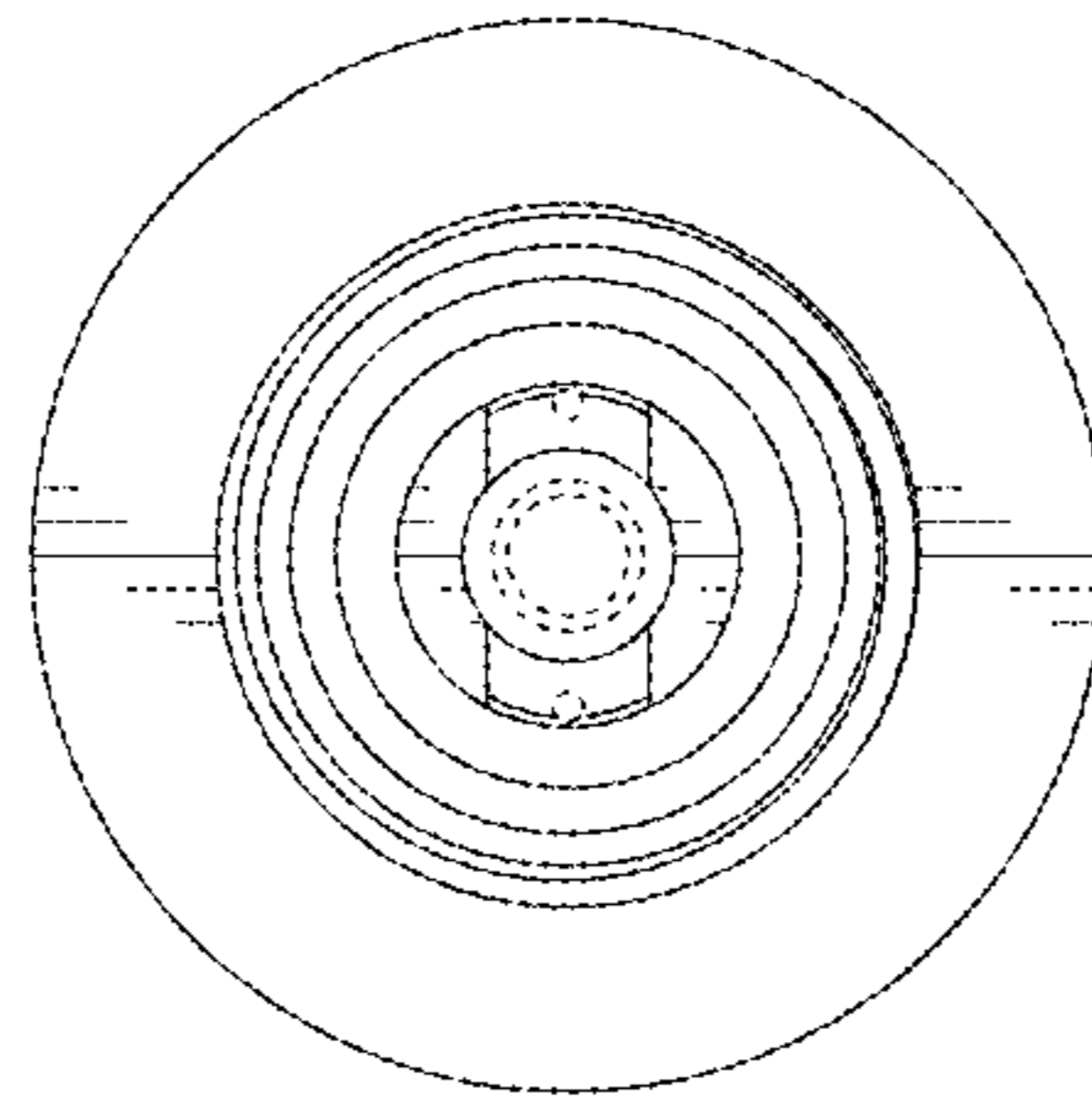


FIG.14

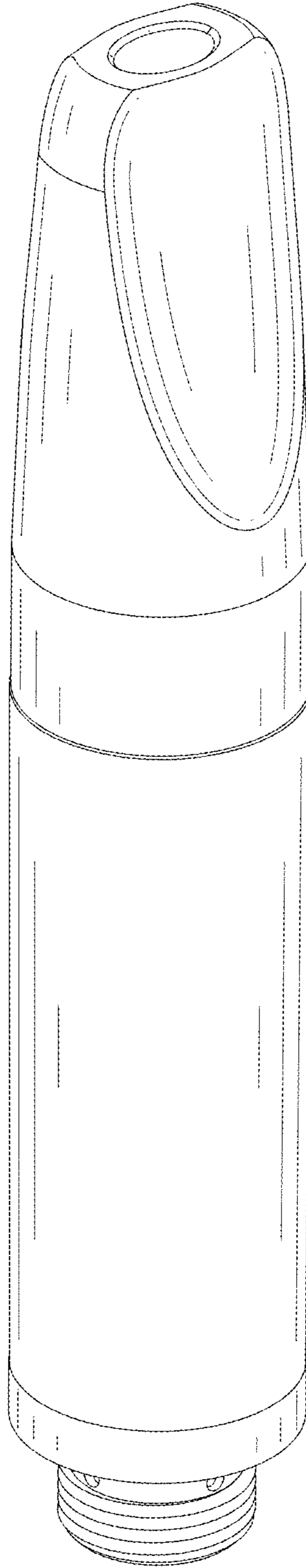


FIG.15

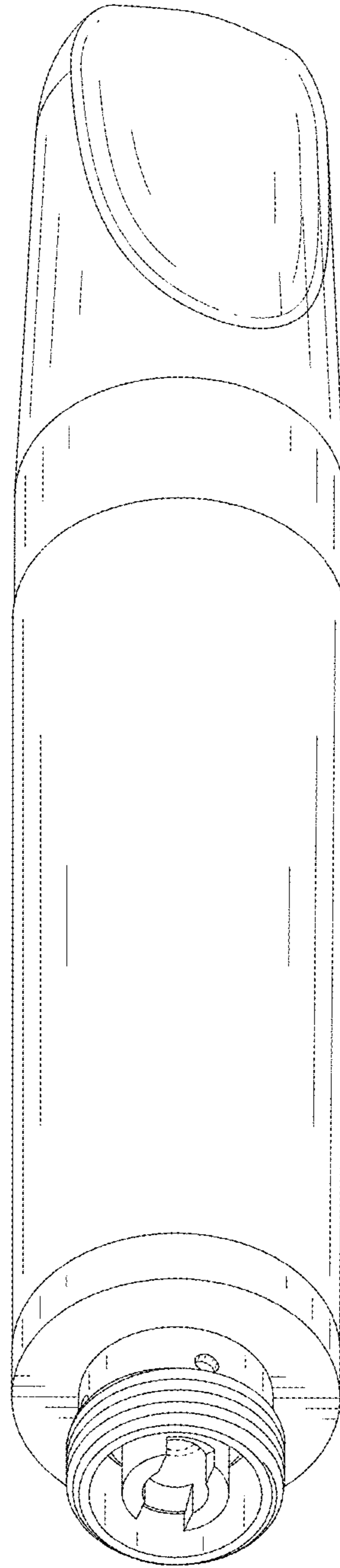


FIG.16