



US00D885650S

(12) **United States Design Patent** (10) **Patent No.:** **US D885,650 S**
McLaughlin, III et al. (45) **Date of Patent:** **** May 26, 2020**

(54) **LIGHTING FIXTURE**

(71) Applicant: **ARON Lighting LLC**, King of Prussia, PA (US)

(72) Inventors: **Robert Edwin McLaughlin, III**, Boston, MA (US); **Robert Norman Aronchick**, Villanova, PA (US); **Bryan Paul Aronchick**, Havertown, PA (US)

(73) Assignee: **Aron Lighting LLC**, King of Prussia, PA (US)

(**) Term: **15 Years**

(21) Appl. No.: **29/670,218**

(22) Filed: **Nov. 14, 2018**

(51) **LOC (12) Cl.** **26-05**

(52) **U.S. Cl.**
USPC **D26/138**

(58) **Field of Classification Search**
USPC D26/72, 74, 76, 78-83, 85, 86, 88, 90, D26/93, 111, 113, 118, 119, 120, 121, D26/122, 138, 139, 140, 141, 142, 152
(Continued)

(56) **References Cited**

U.S. PATENT DOCUMENTS

D304,620 S * 11/1989 Marcucci D26/24
D400,281 S * 10/1998 Kerr D26/74
(Continued)

Primary Examiner — Natasha Vujcic

(74) *Attorney, Agent, or Firm* — Duane Morris LLP

(57) **CLAIM**

We claim the ornamental design for a lighting fixture, as shown and described.

DESCRIPTION

FIG. 1 is a top perspective view of an embodiment of a lighting fixture according to the present invention.

FIG. 2 is a bottom perspective view of the lighting fixture of FIG. 1.

FIG. 3 is a top elevation view of the lighting fixture of FIG. 1.

FIG. 4 is a bottom elevation view of the lighting fixture of FIG. 1.

FIG. 5 is a front elevation view of the lighting fixture of FIG. 1.

FIG. 6 is a rear elevation view of the lighting fixture of FIG. 1.

FIG. 7 is a left side elevation view of the lighting fixture of FIG. 1.

FIG. 8 is a right side elevation view of the lighting fixture of FIG. 1.

FIG. 9 is a top perspective view of another embodiment of a lighting fixture according to the present invention.

FIG. 10 is a bottom perspective view of the lighting fixture of FIG. 9.

FIG. 11 is a top elevation view of the lighting fixture of FIG. 9.

FIG. 12 is a bottom elevation view of the lighting fixture of FIG. 9.

FIG. 13 is a front elevation view of the lighting fixture of FIG. 9.

FIG. 14 is a rear elevation view of the lighting fixture of FIG. 9.

FIG. 15 is a left side elevation view of the lighting fixture of FIG. 9.

FIG. 16 is a right side elevation view of the lighting fixture of FIG. 9.

FIG. 17 is a top perspective view of another embodiment of a lighting fixture according to the present invention.

FIG. 18 is a bottom perspective view of the lighting fixture of FIG. 17.

FIG. 19 is a top elevation view of the lighting fixture of FIG. 17.

FIG. 20 is a bottom elevation view of the lighting fixture of FIG. 17.

FIG. 21 is a front elevation view of the lighting fixture of FIG. 17.

FIG. 22 is a rear elevation view of the lighting fixture of FIG. 17.

FIG. 23 is a left side elevation view of the lighting fixture of FIG. 17.

FIG. 24 is a right side elevation view of the lighting fixture of FIG. 17.

(Continued)

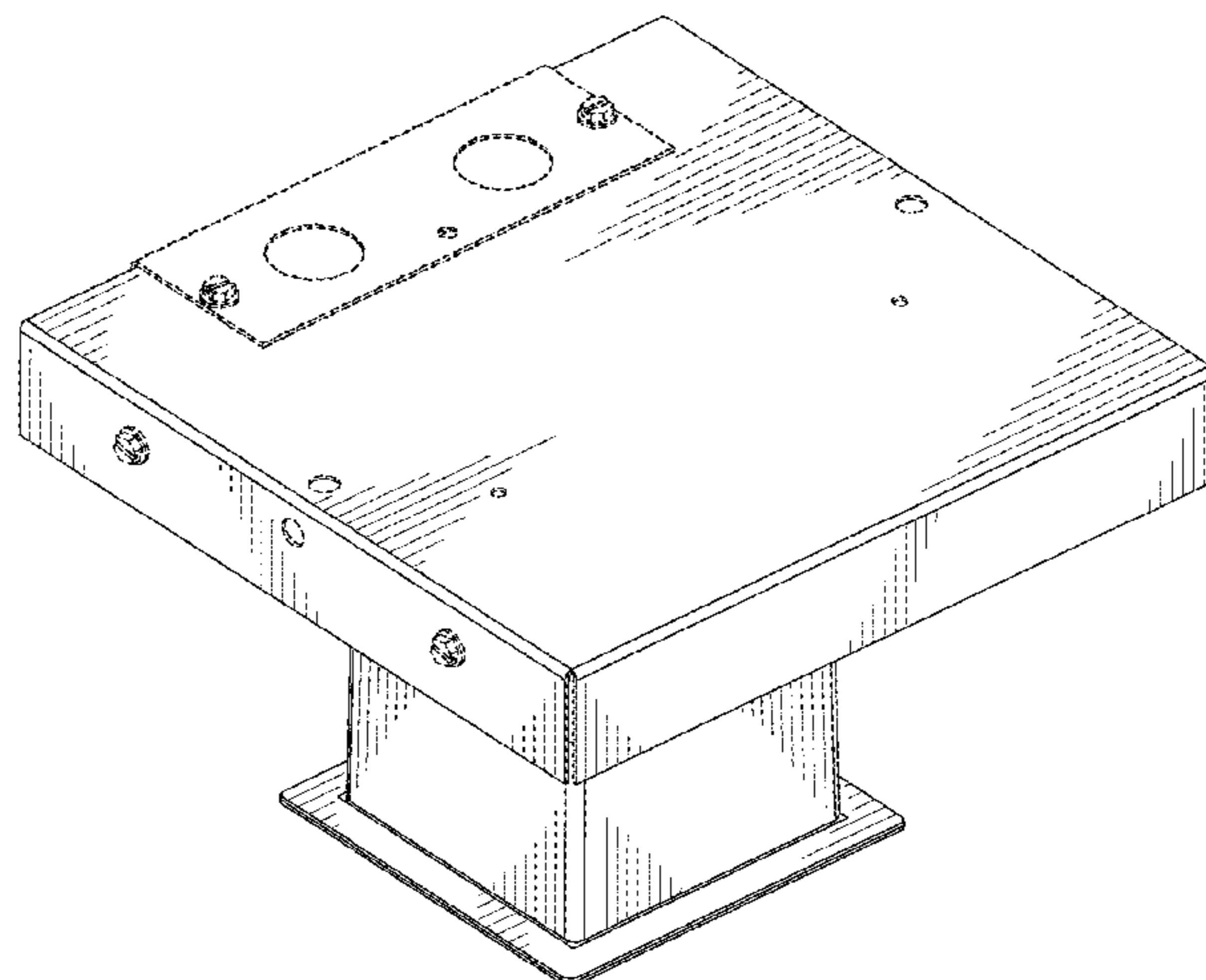


FIG. 25 is a top perspective view of another embodiment of a lighting fixture according to the present invention.

FIG. 26 is a bottom perspective view of the lighting fixture of FIG. 25.

FIG. 27 is a top elevation view of the lighting fixture of FIG. 25.

FIG. 28 is a bottom elevation view of the lighting fixture of FIG. 25.

FIG. 29 is a front elevation view of the lighting fixture of FIG. 25.

FIG. 30 is a rear elevation view of the lighting fixture of FIG. 25.

FIG. 31 is a left side elevation view of the lighting fixture of FIG. 25; and,

FIG. 32 is a right side elevation view of the lighting fixture of FIG. 25.

The broken lines shown are included for the purpose of illustrating portions of the lighting fixture that form no part of the claimed design.

1 Claim, 32 Drawing Sheets

(58) **Field of Classification Search**

CPC F21S 2/00; F21S 4/00; F21S 4/003; F21S

4/005; F21S 4/006; F21S 4/007; F21S 4/008; F21S 6/00; F21S 8/00; F21S 8/024; F21S 8/026; F21S 8/031; F21S 8/033; F21S 8/035-037; F21S 8/04; F21S 8/043; F21S 8/063

See application file for complete search history.

(56)

References Cited

U.S. PATENT DOCUMENTS

D477,104	S	*	7/2003	Wang	D26/72
D707,386	S	*	6/2014	McKenzie	D26/142
D748,842	S	*	2/2016	Sakurai	D26/89
D778,487	S	*	2/2017	Salomon	D26/138
D779,105	S	*	2/2017	Krueckeberg	D26/89
D794,243	S	*	8/2017	Bryant	D26/138
D799,103	S	*	10/2017	Gloor	D26/120
D829,953	S	*	10/2018	Botti	D26/74
D834,235	S	*	11/2018	Gambrel	D26/89
D834,519	S	*	11/2018	Faul	D13/137.2
D850,709	S	*	6/2019	Tian	D26/138
D855,244	S	*	7/2019	Sonneman	D26/113
D856,570	S	*	8/2019	Sonneman	D26/113
D857,289	S	*	8/2019	Behnke	H02G 3/20 D26/142

2017/0082253 A1 3/2017 Sorensen et al.

* cited by examiner

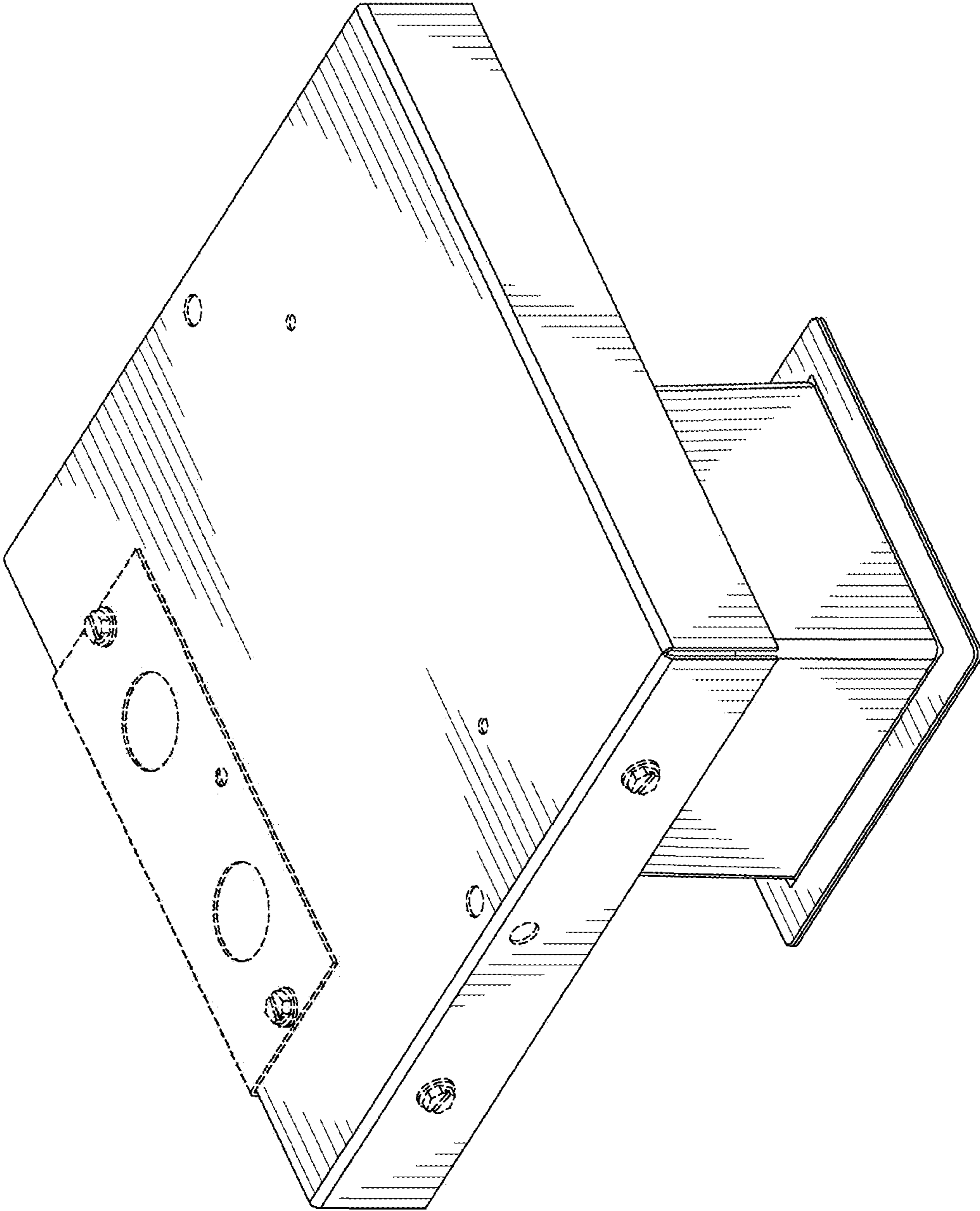


FIG. 1

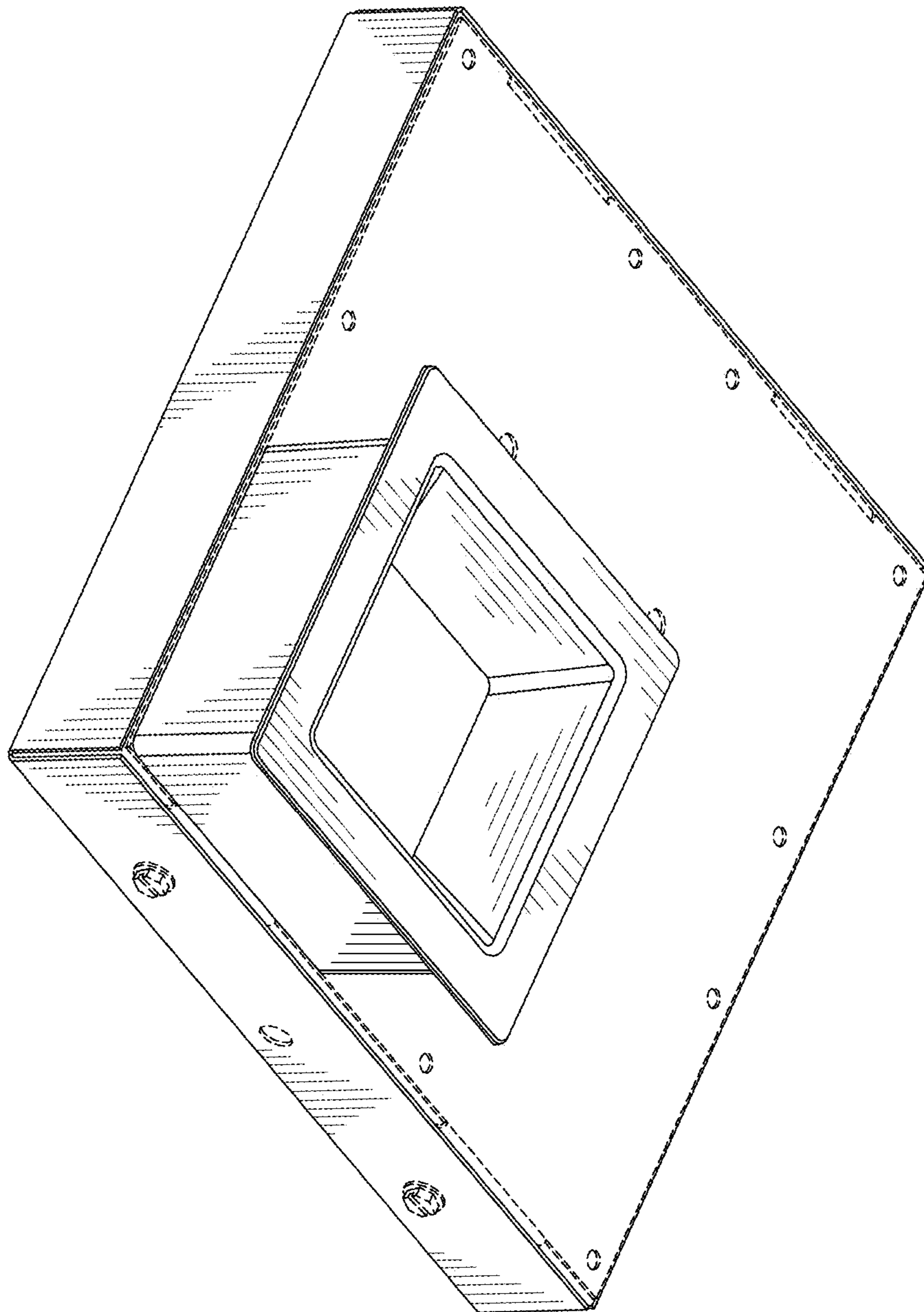


FIG. 2

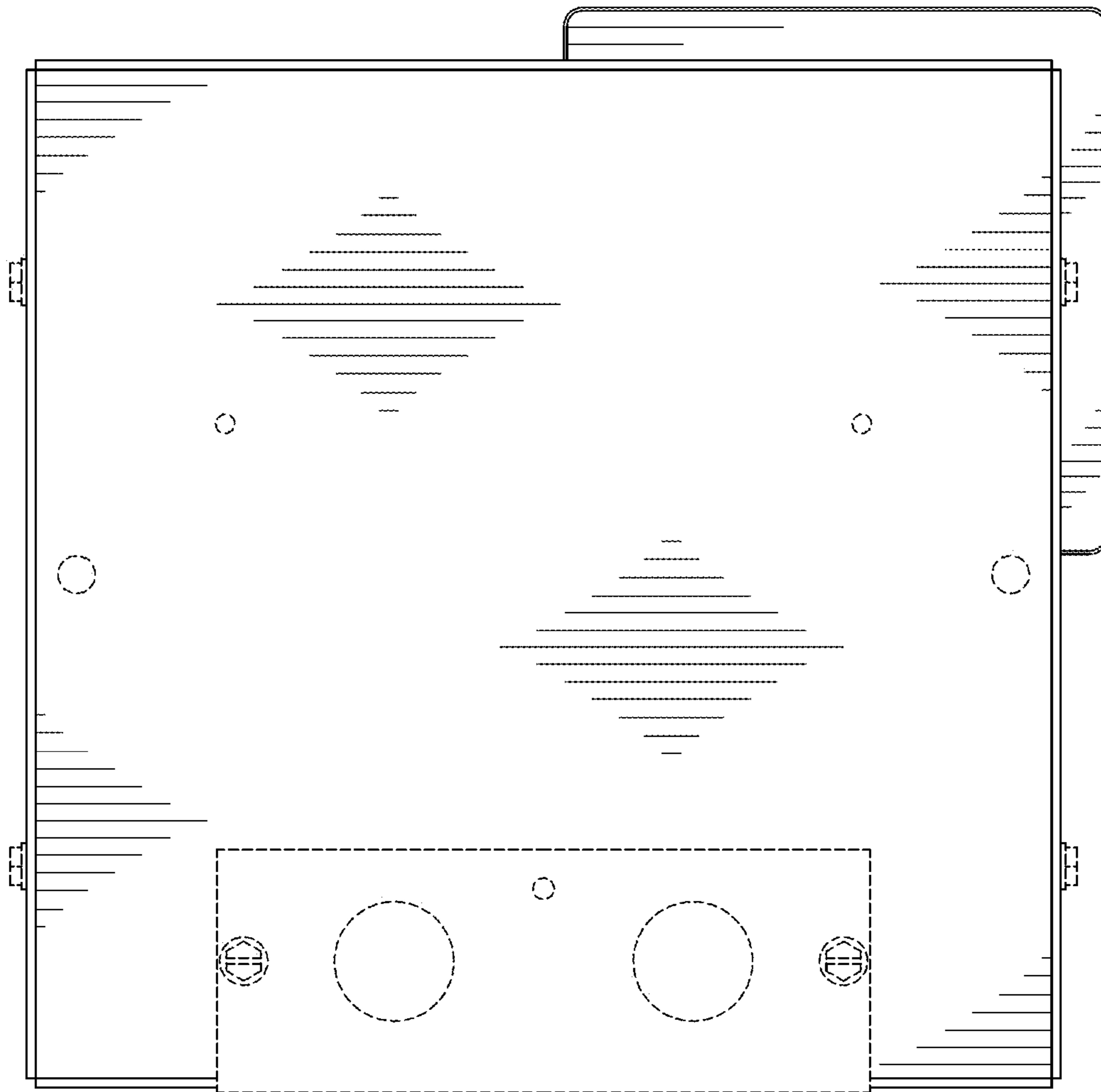


FIG. 3

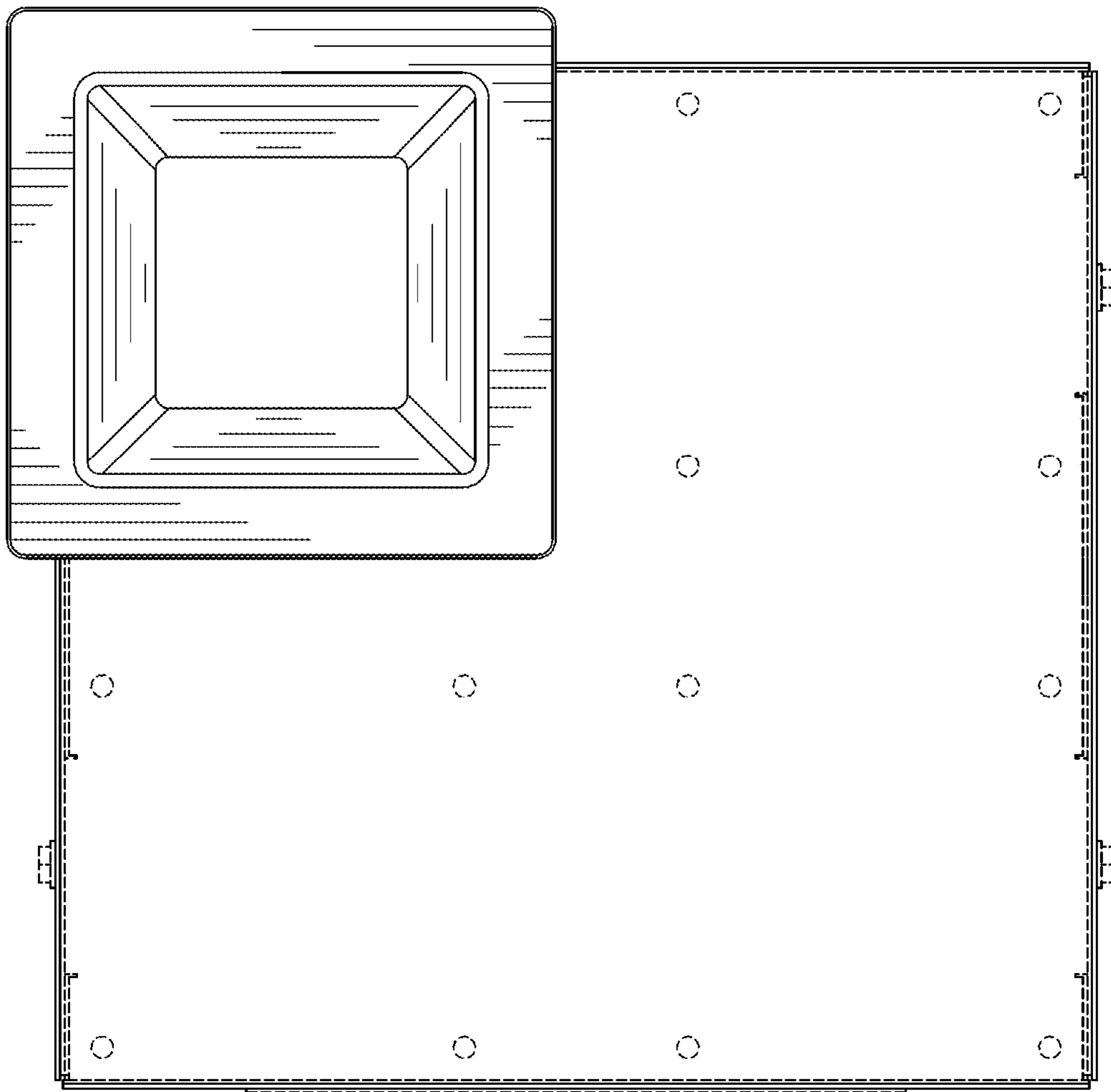


FIG. 4

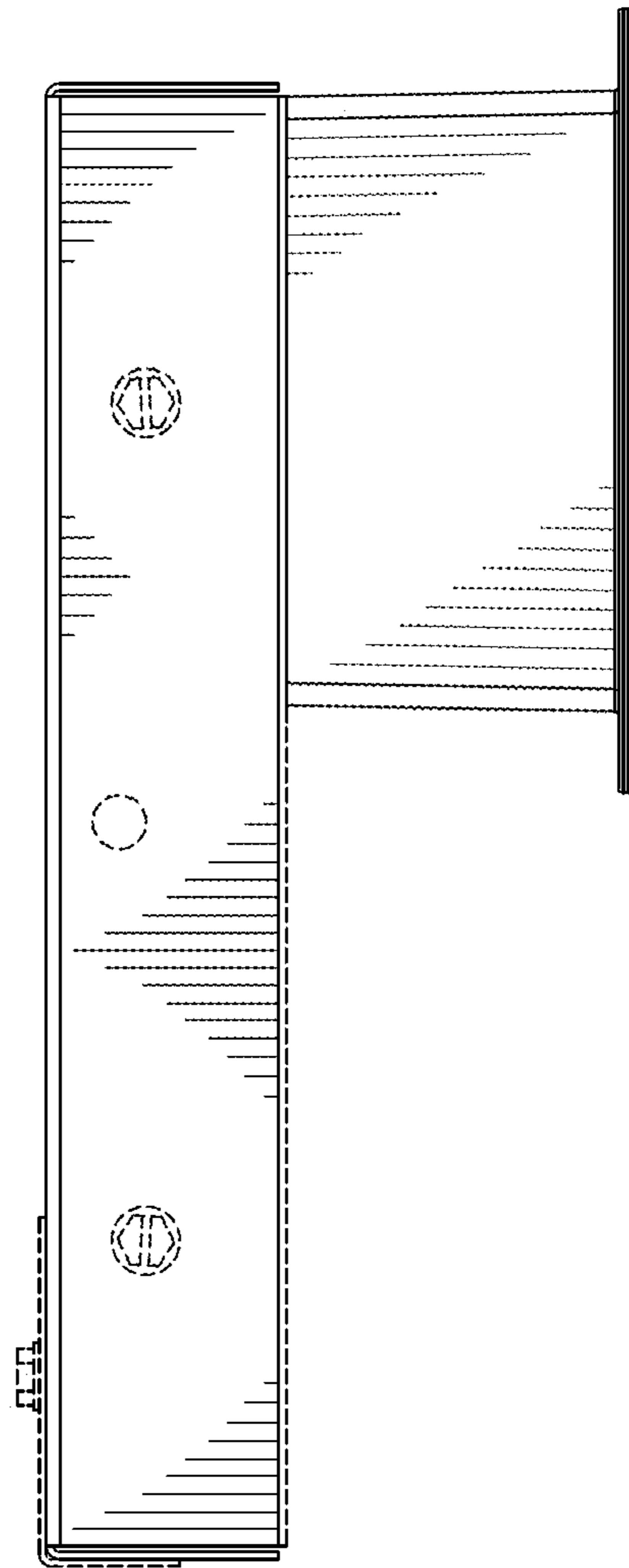


FIG. 5

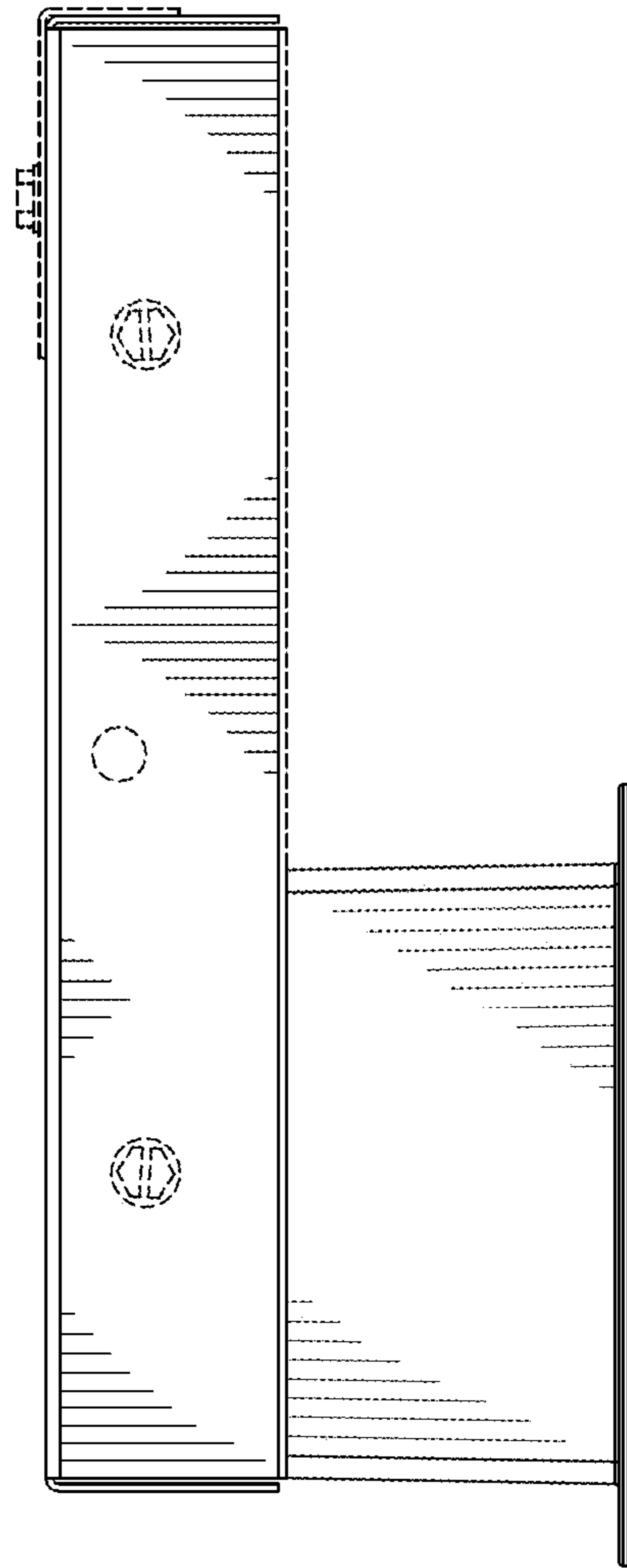


FIG. 6

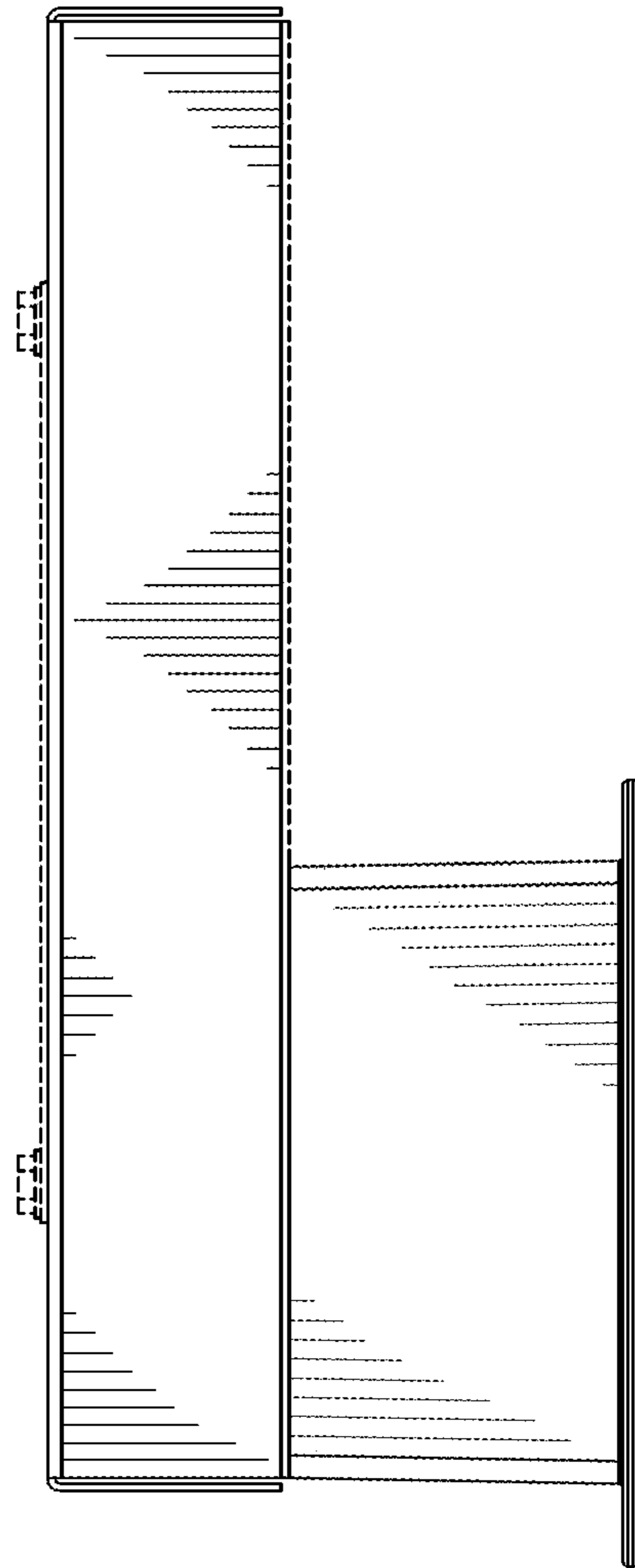


FIG. 7

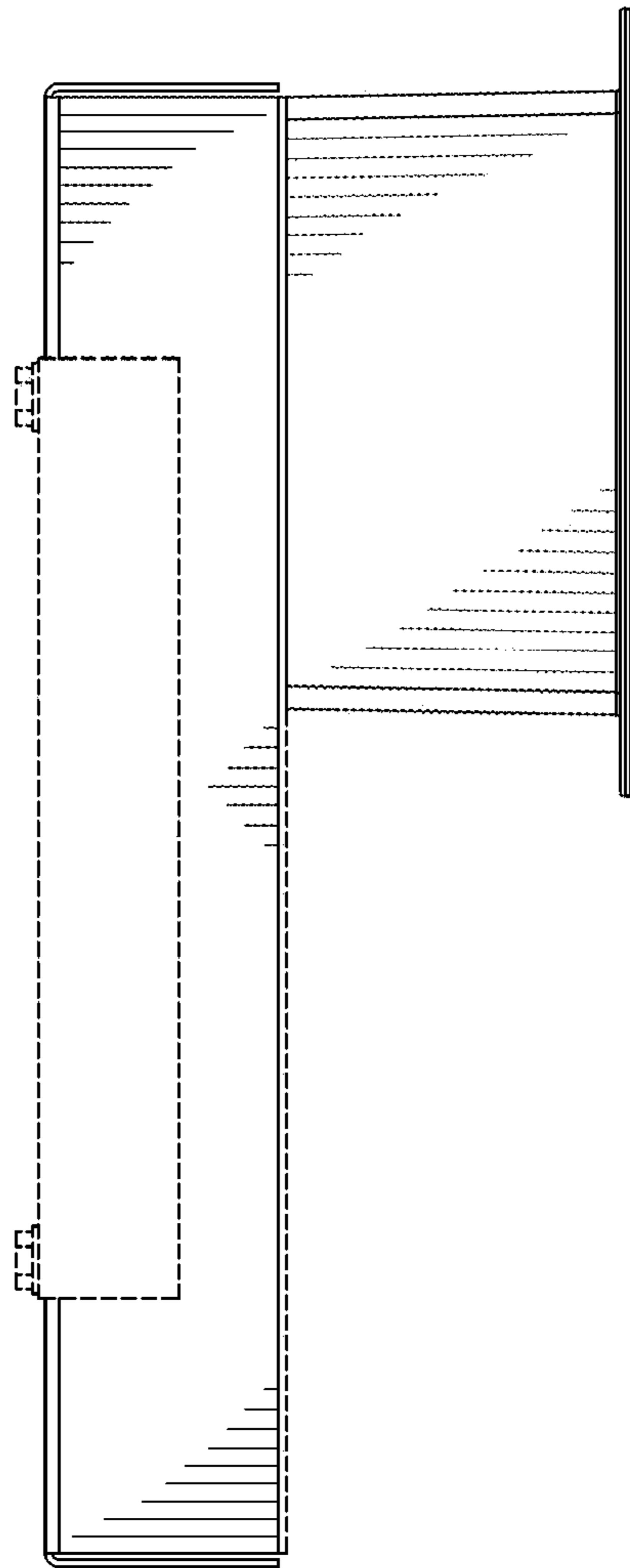


FIG. 8

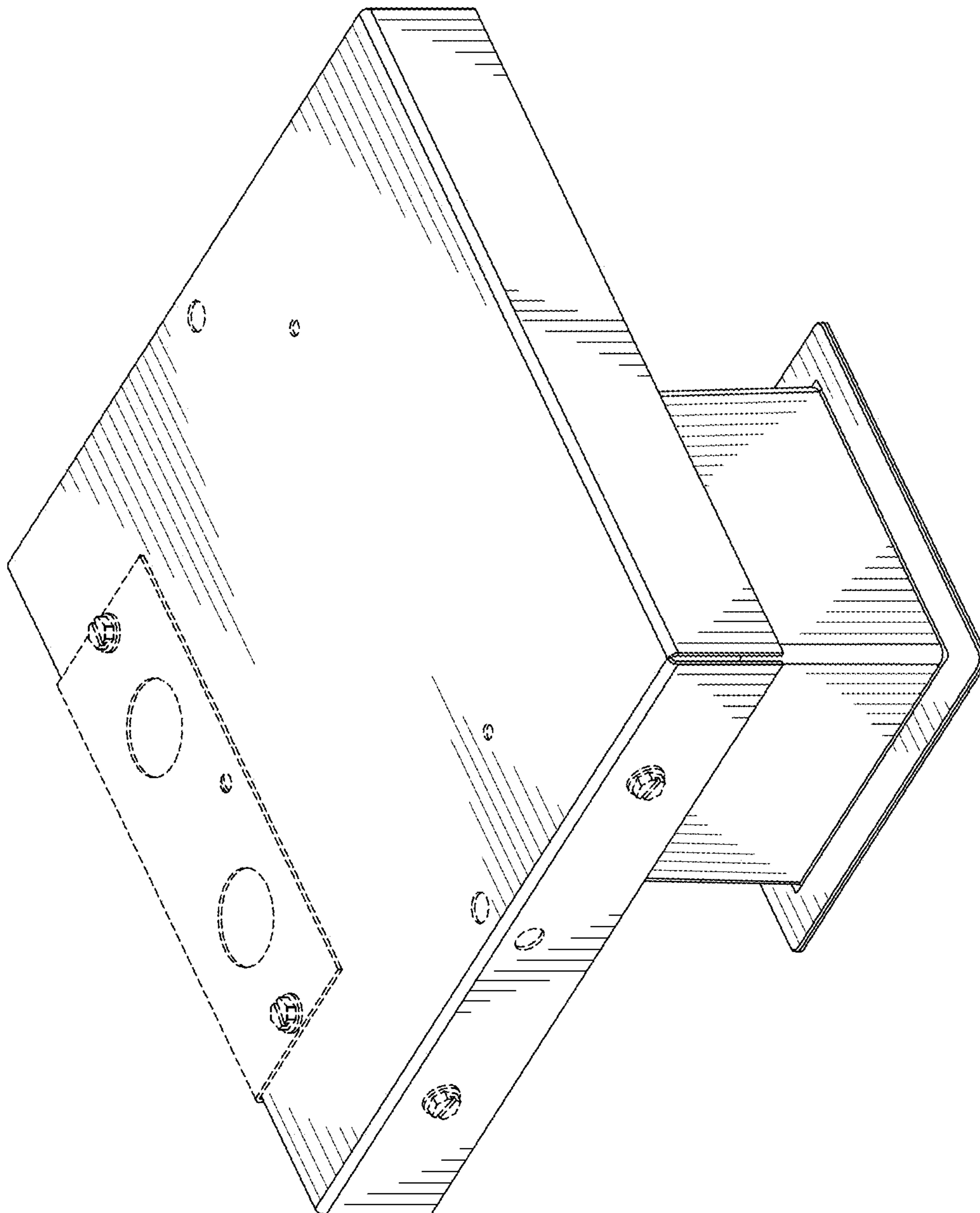


FIG. 9

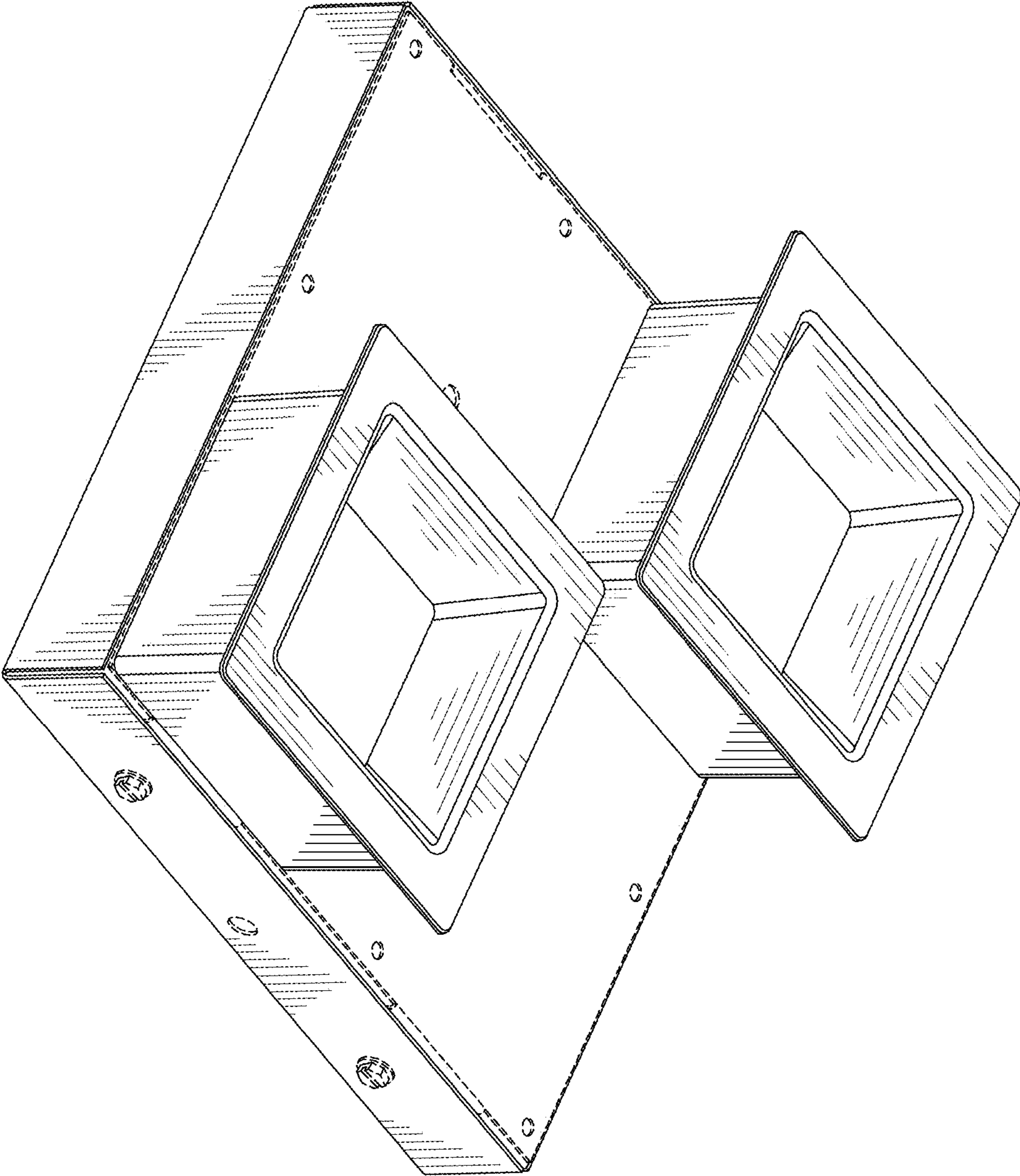


FIG. 10

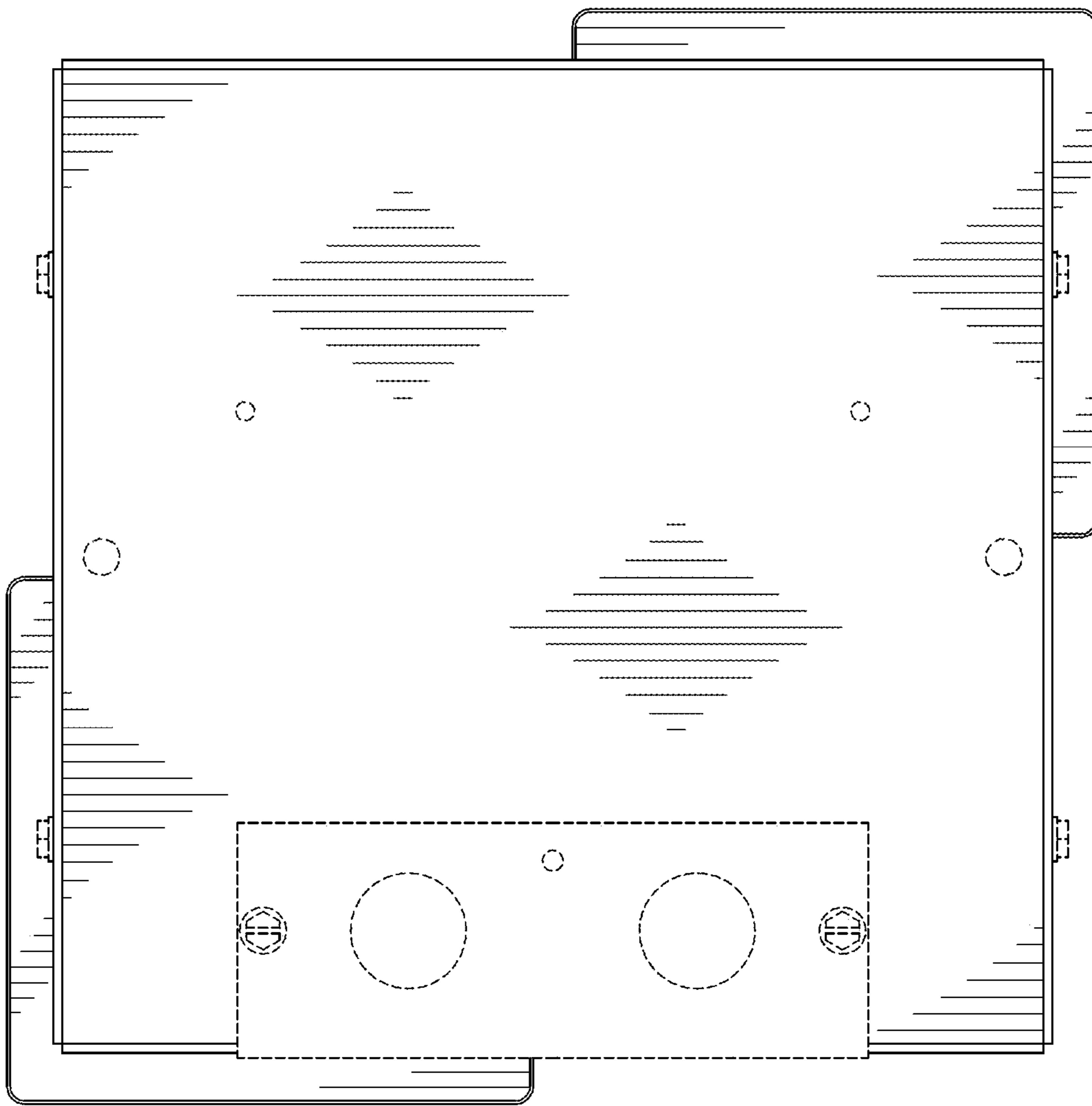


FIG. 11

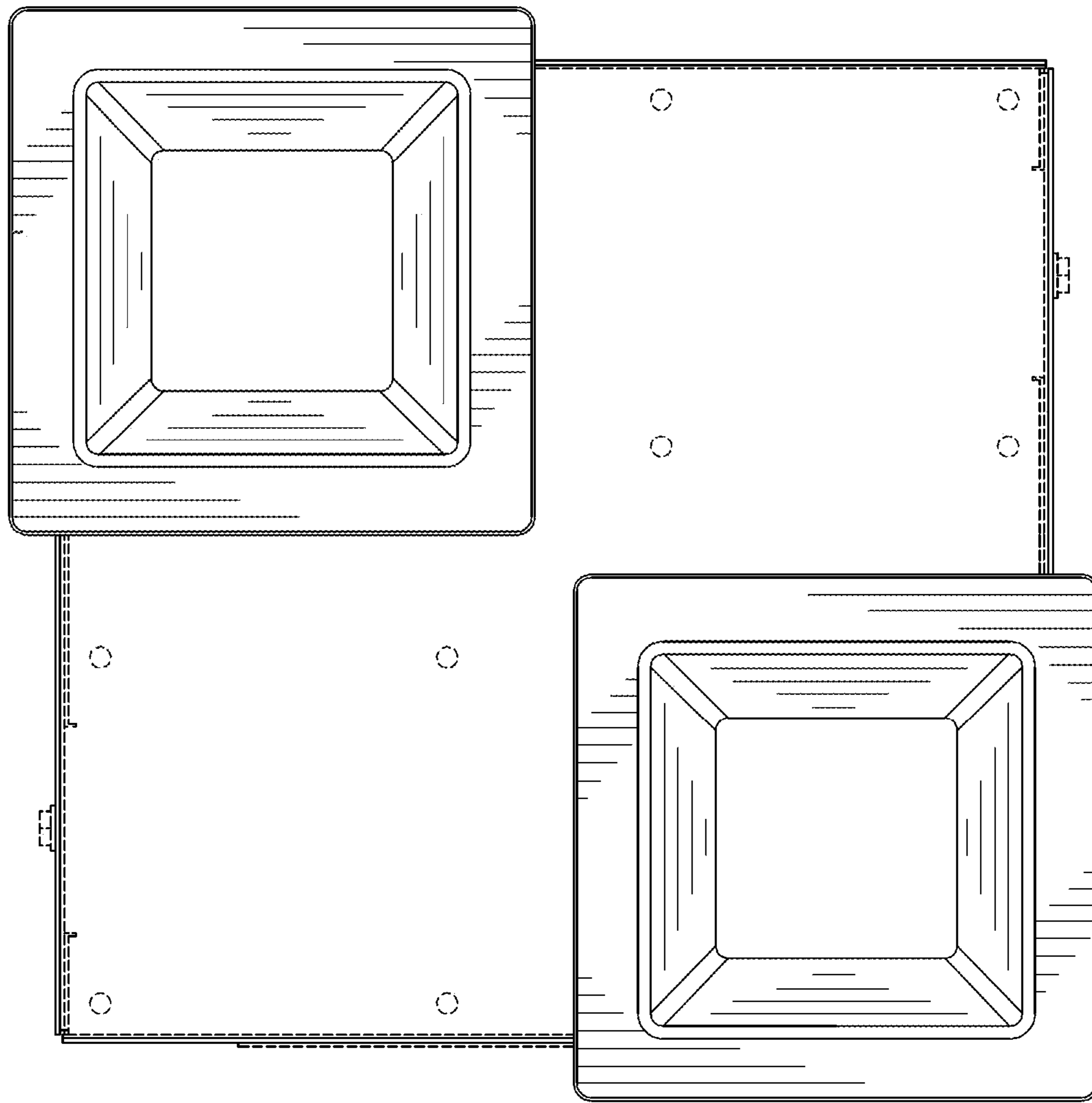


FIG. 12

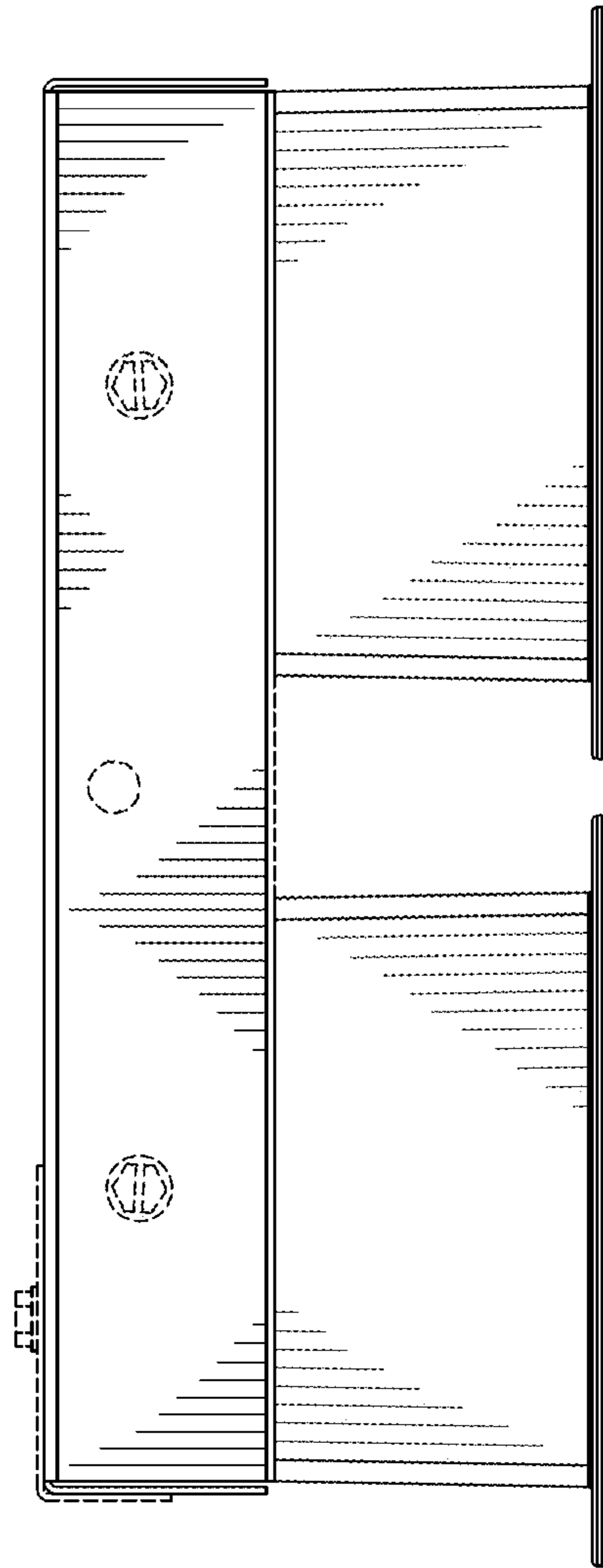


FIG. 13

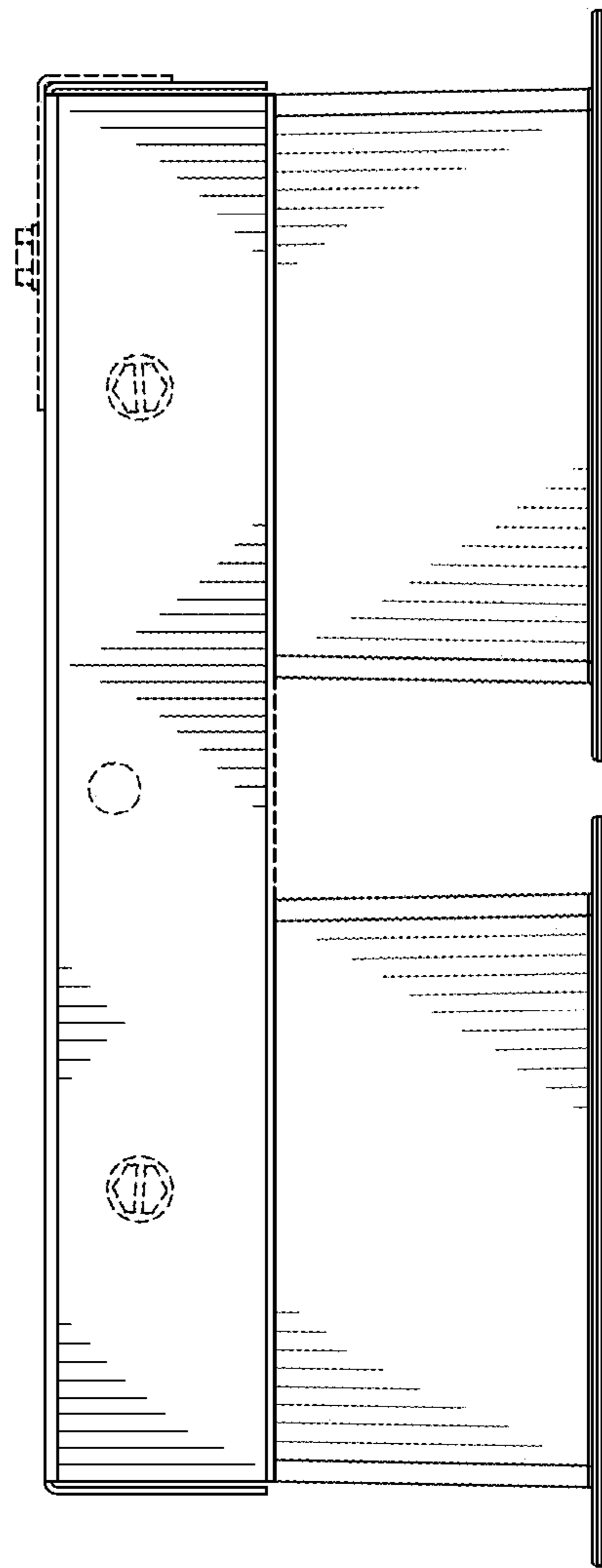


FIG. 14

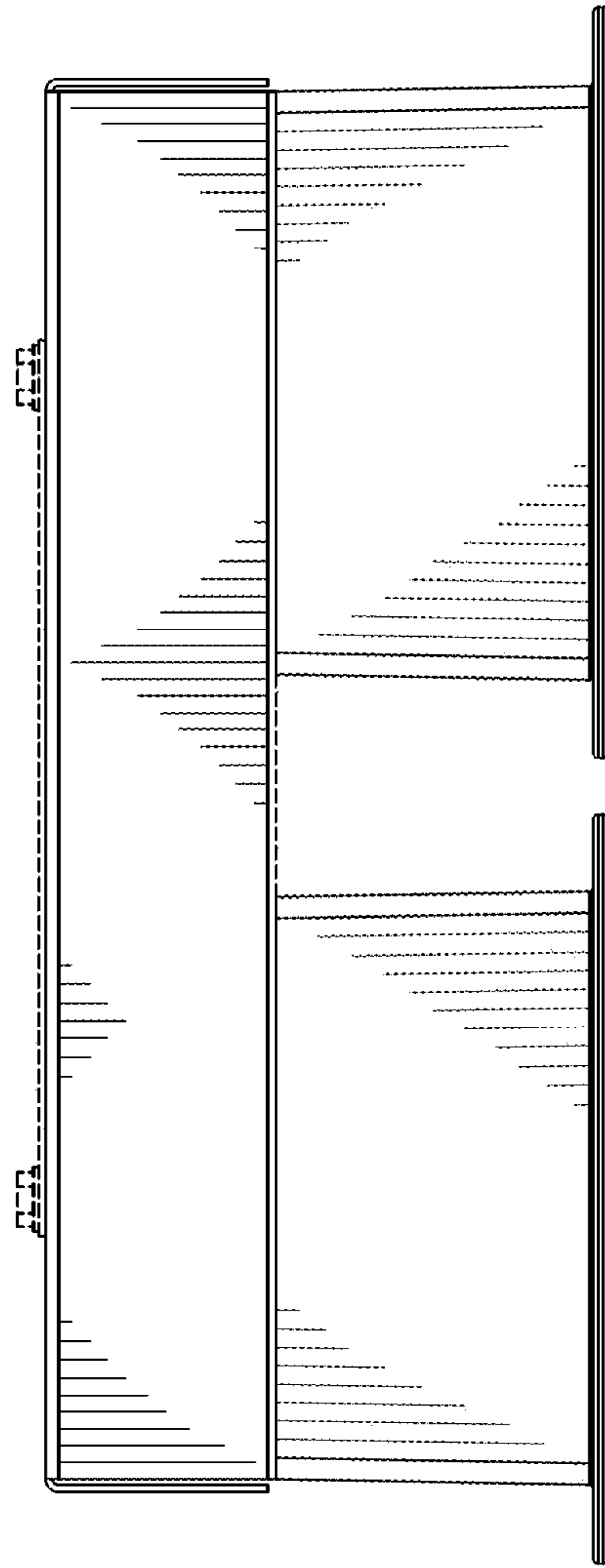


FIG. 15

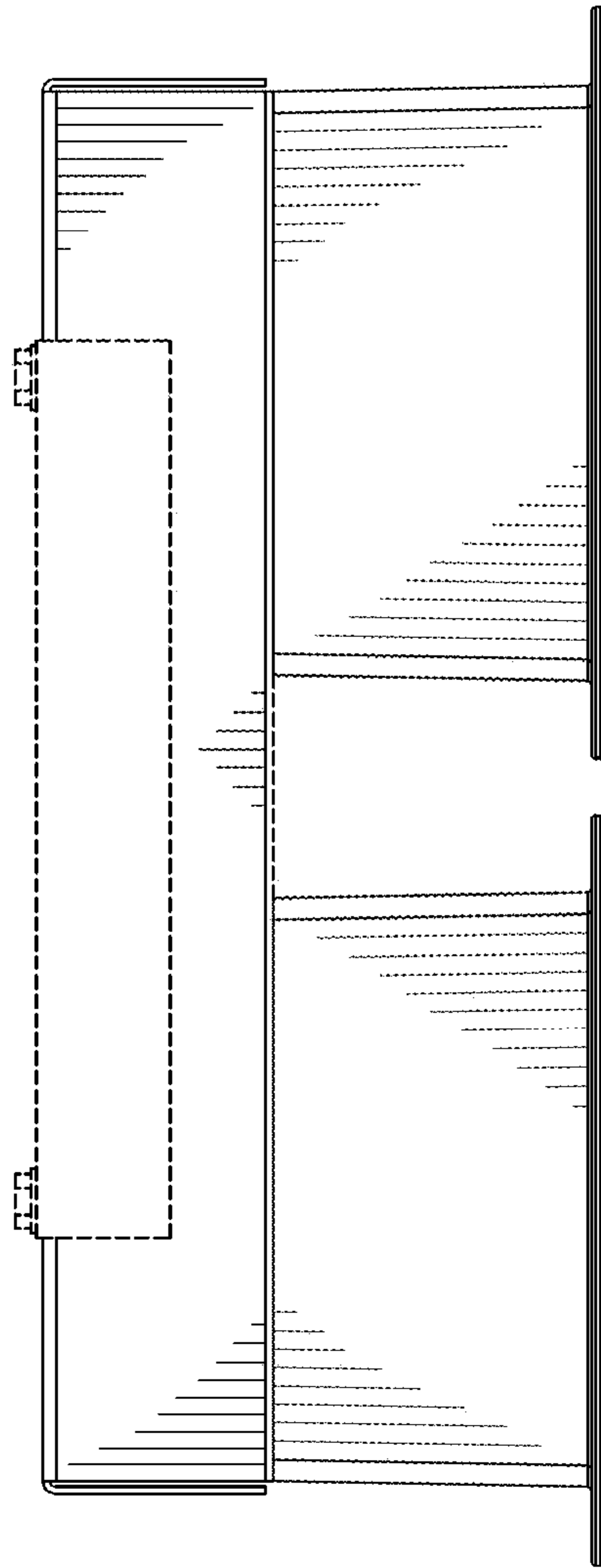


FIG. 16

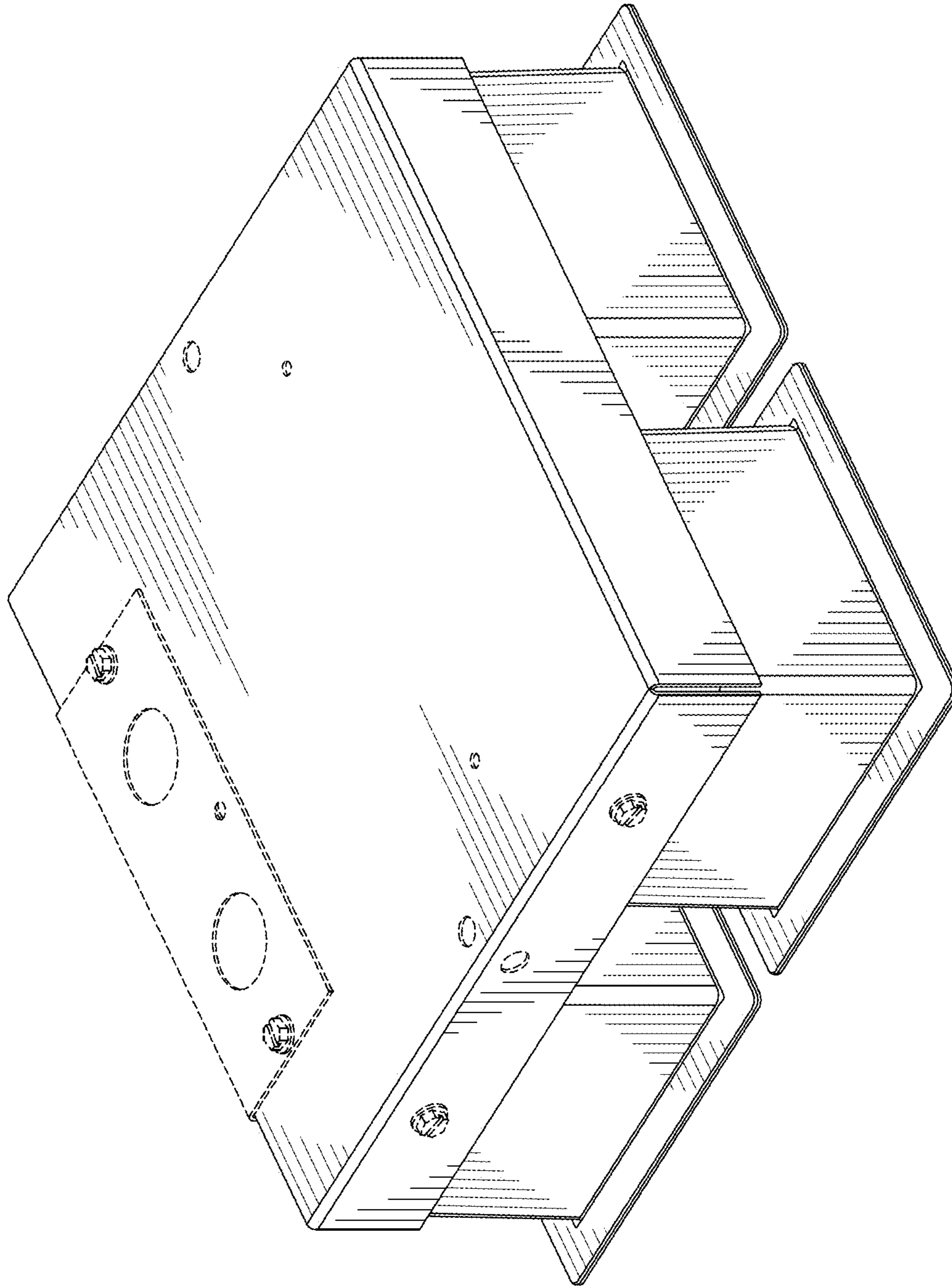


FIG. 17

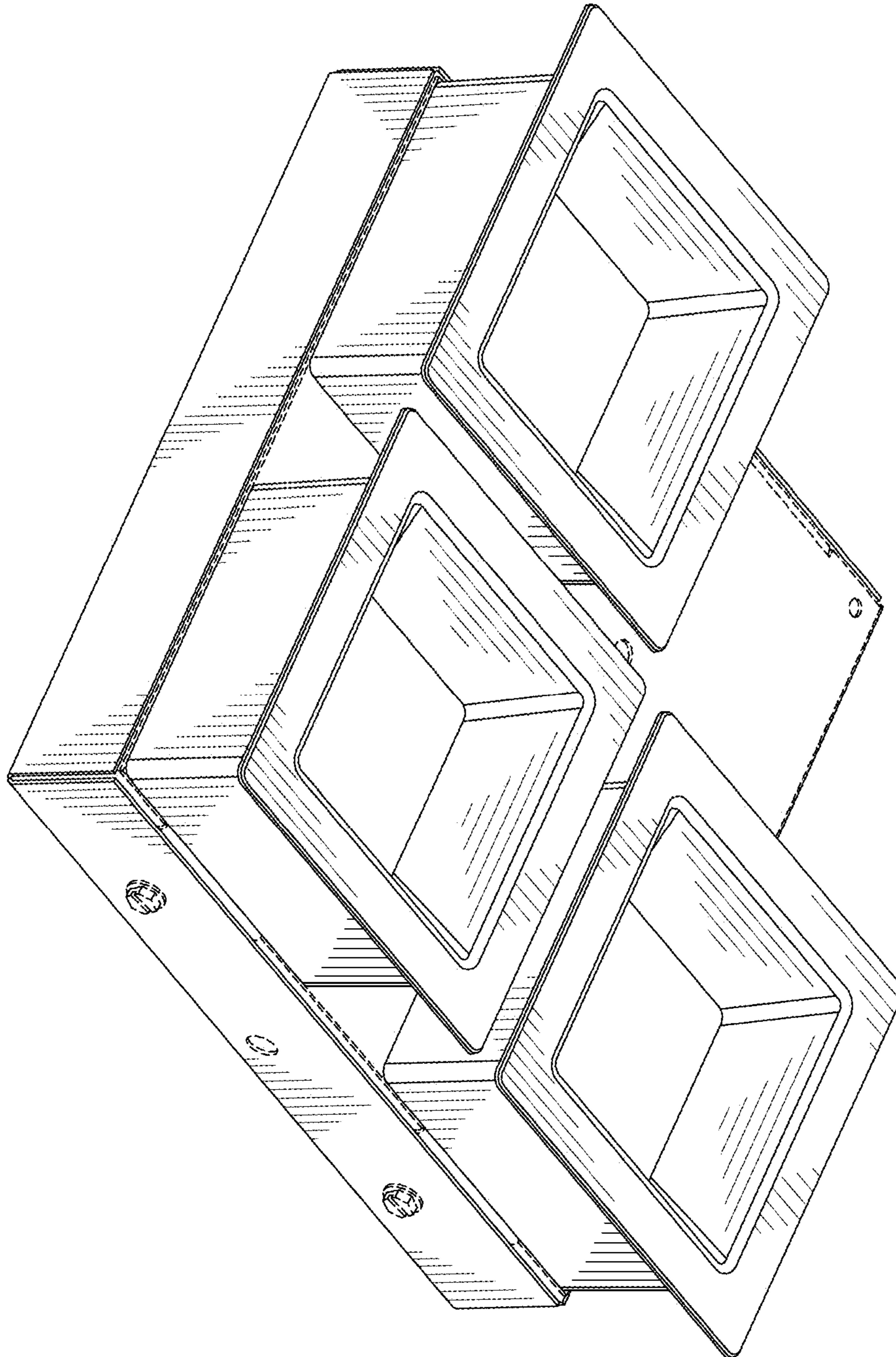


FIG. 18

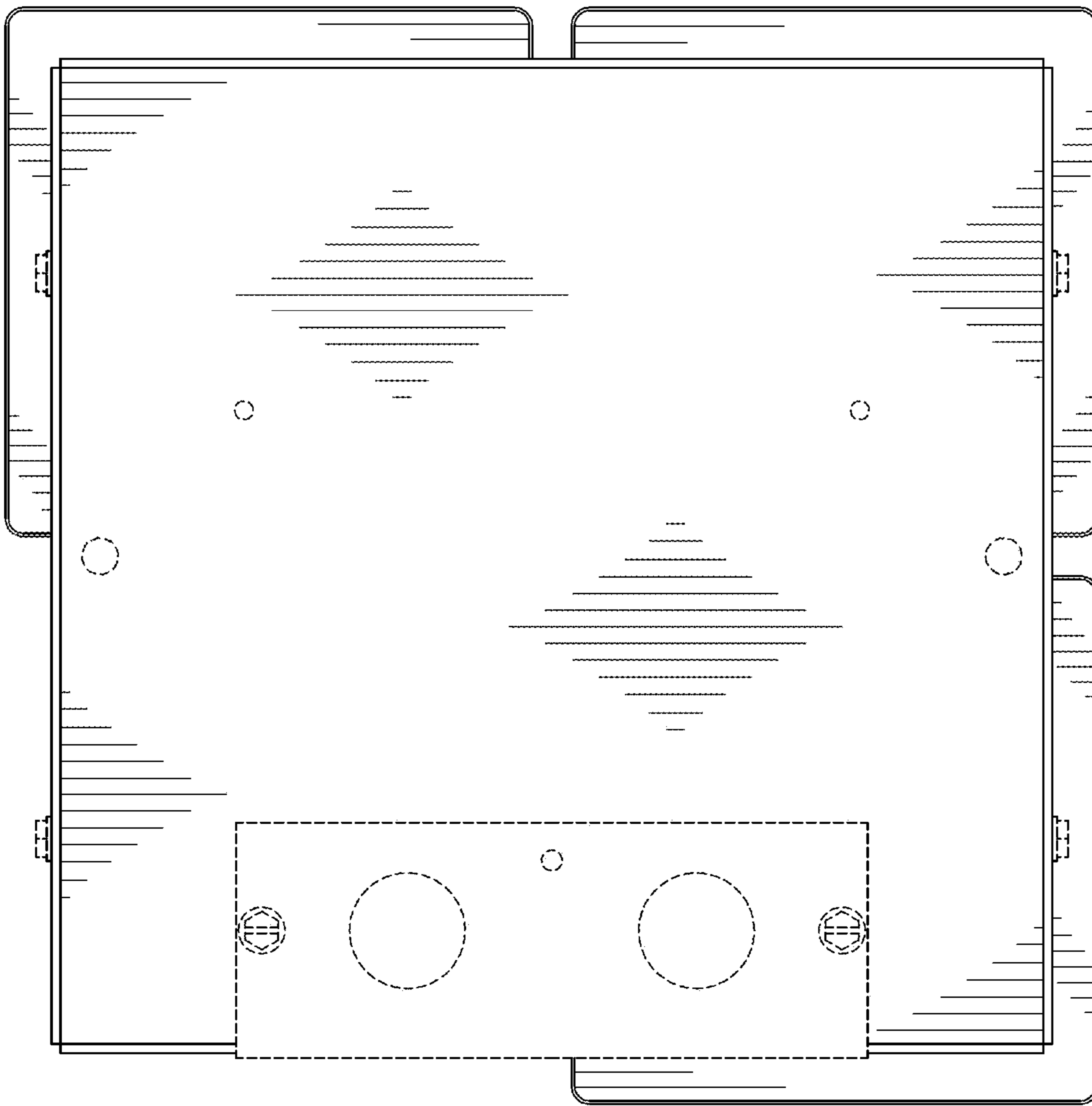


FIG. 19

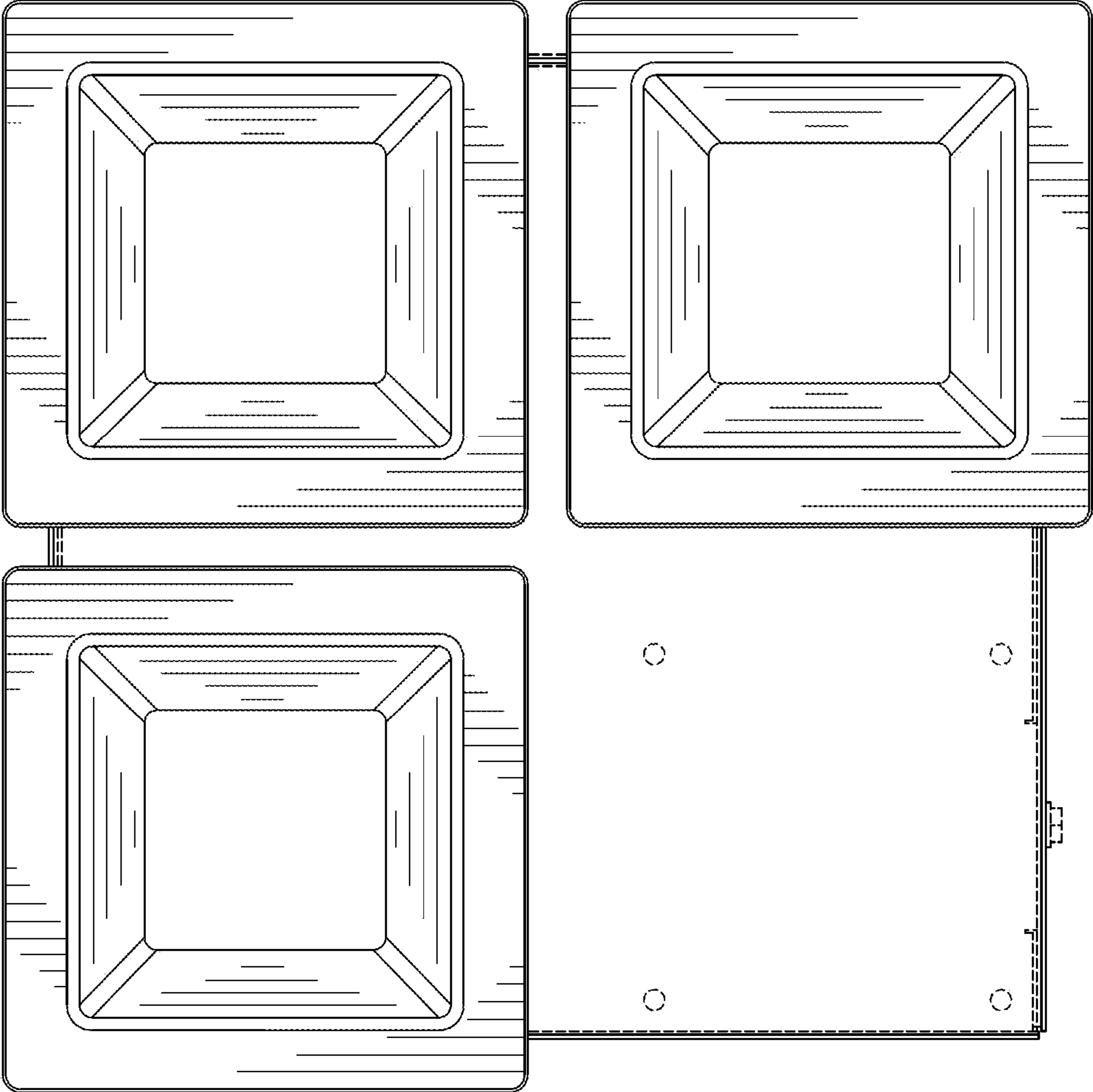


FIG. 20

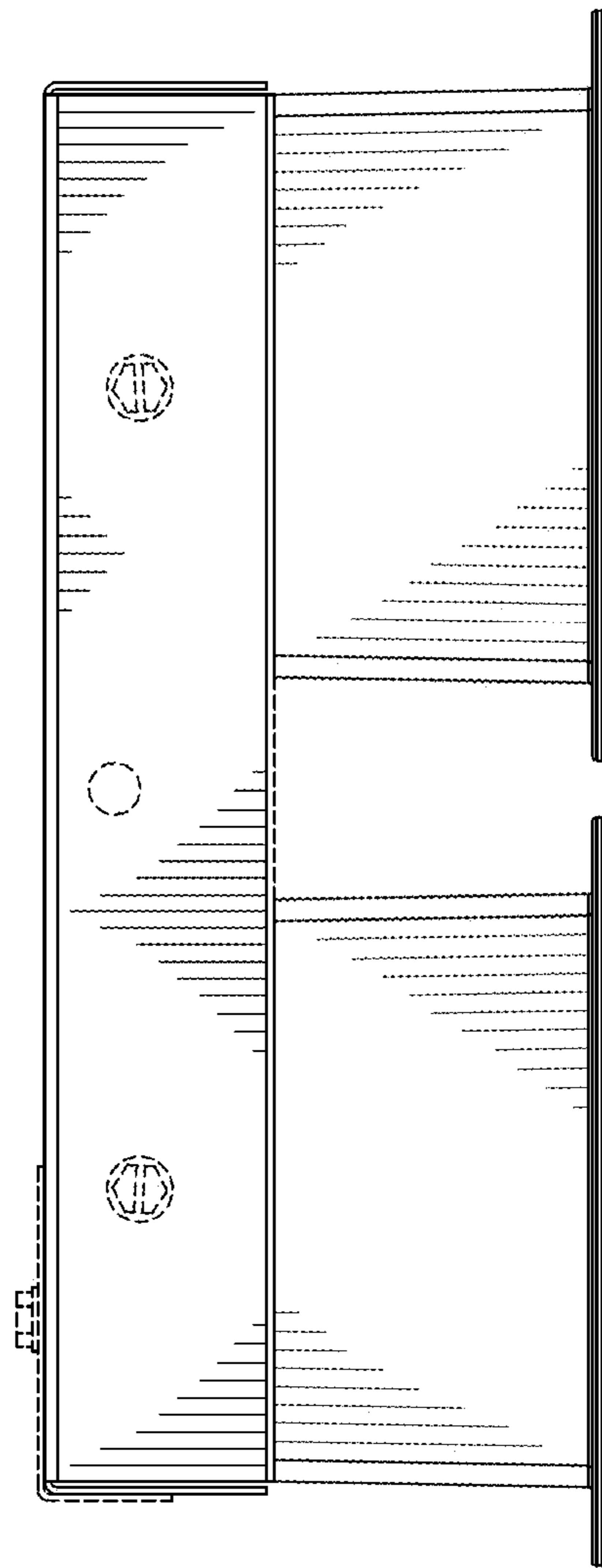


FIG. 21

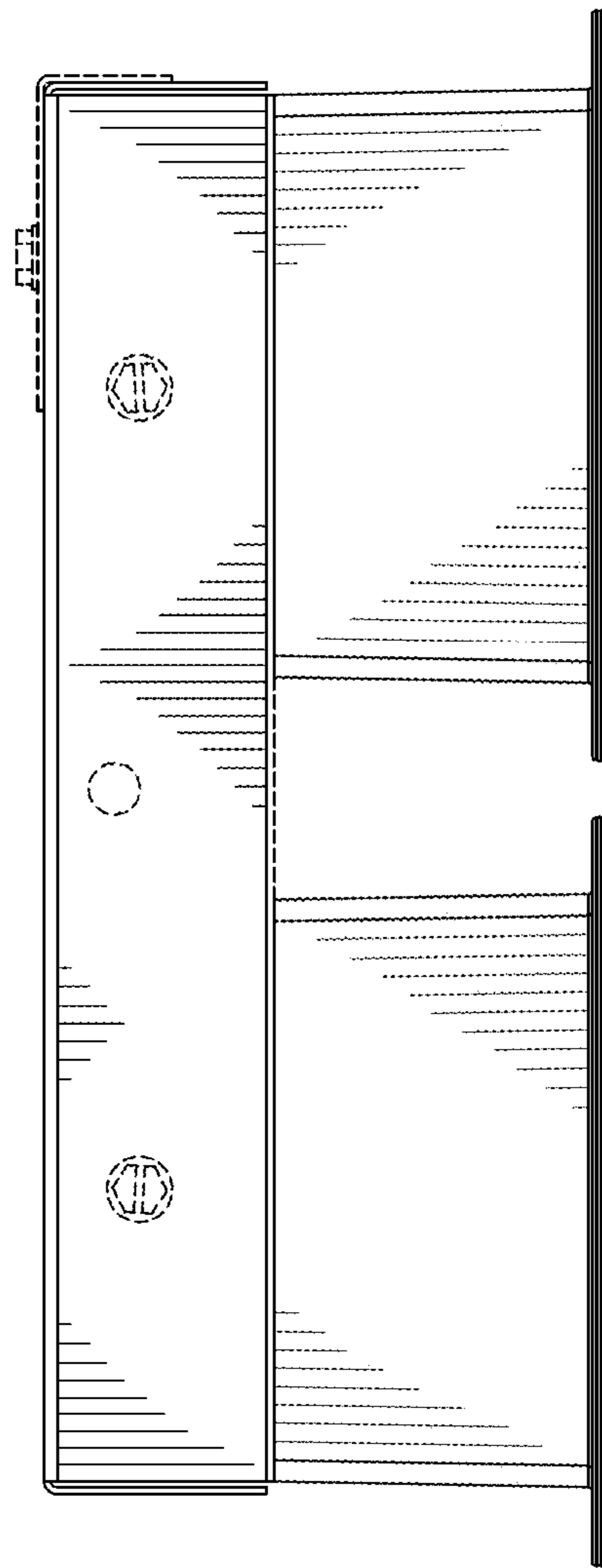


FIG. 22

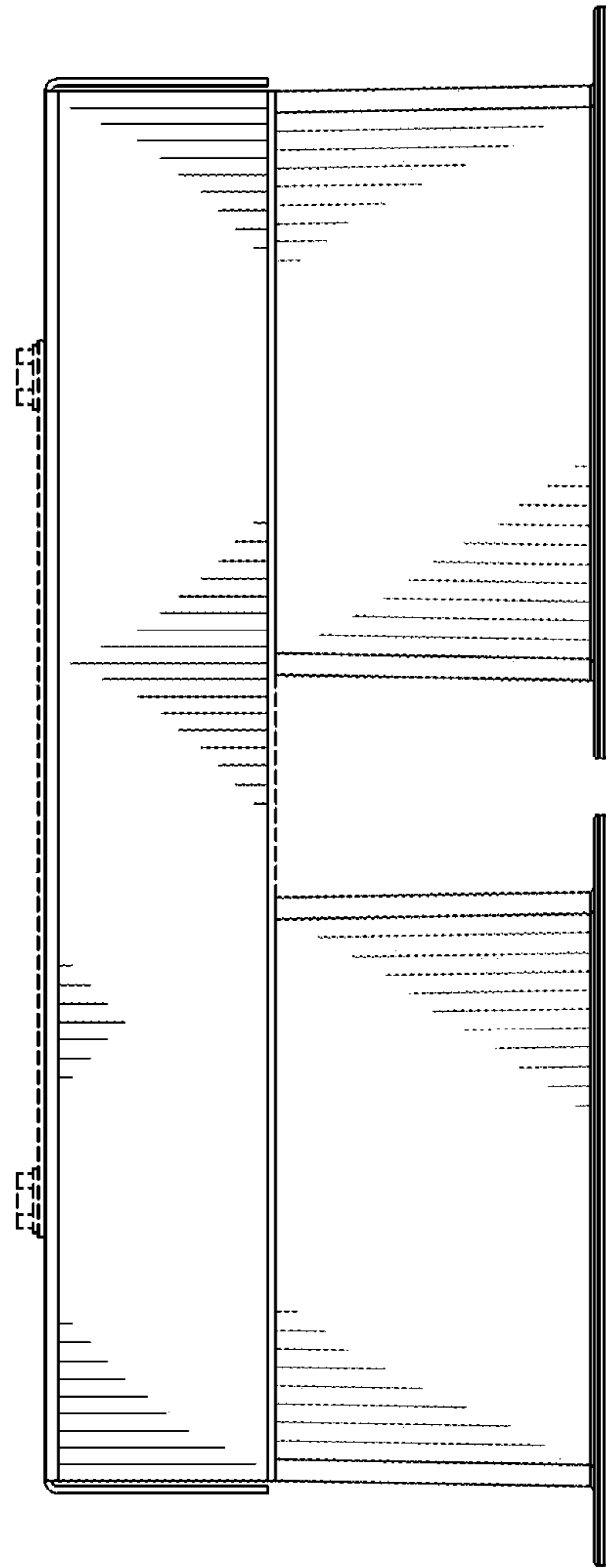


FIG. 23

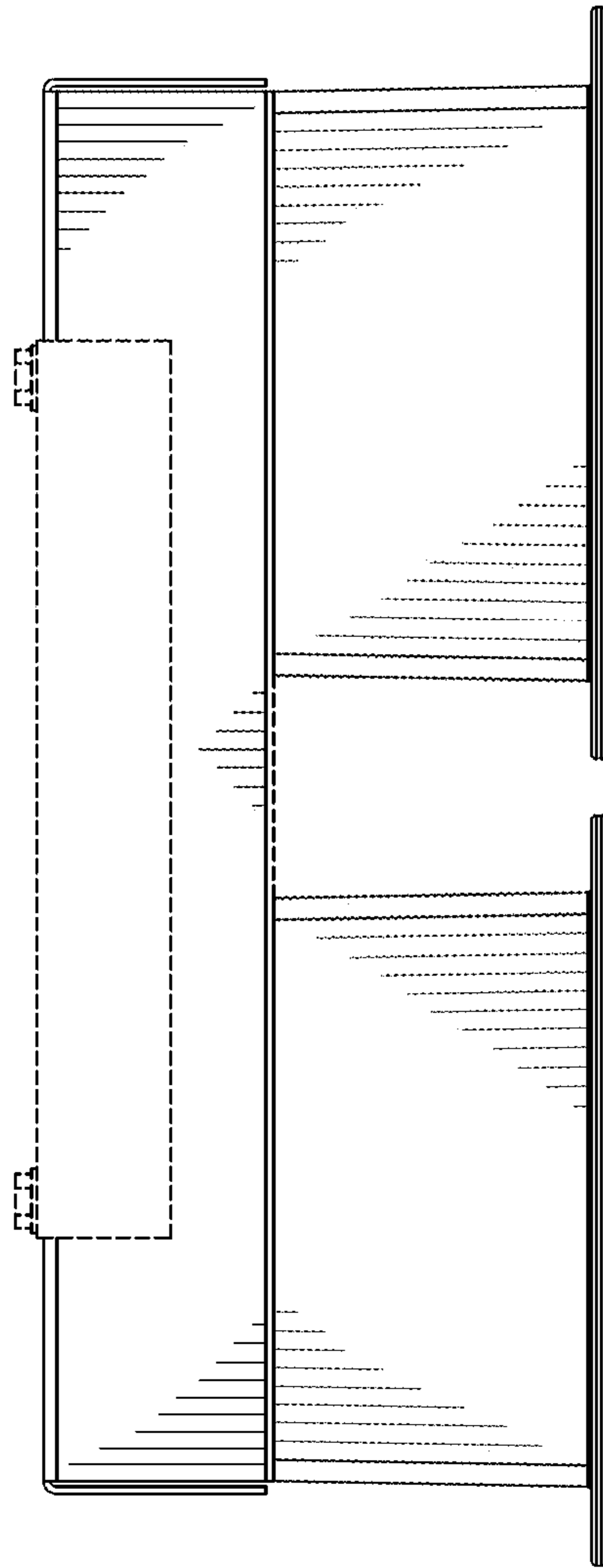


FIG. 24

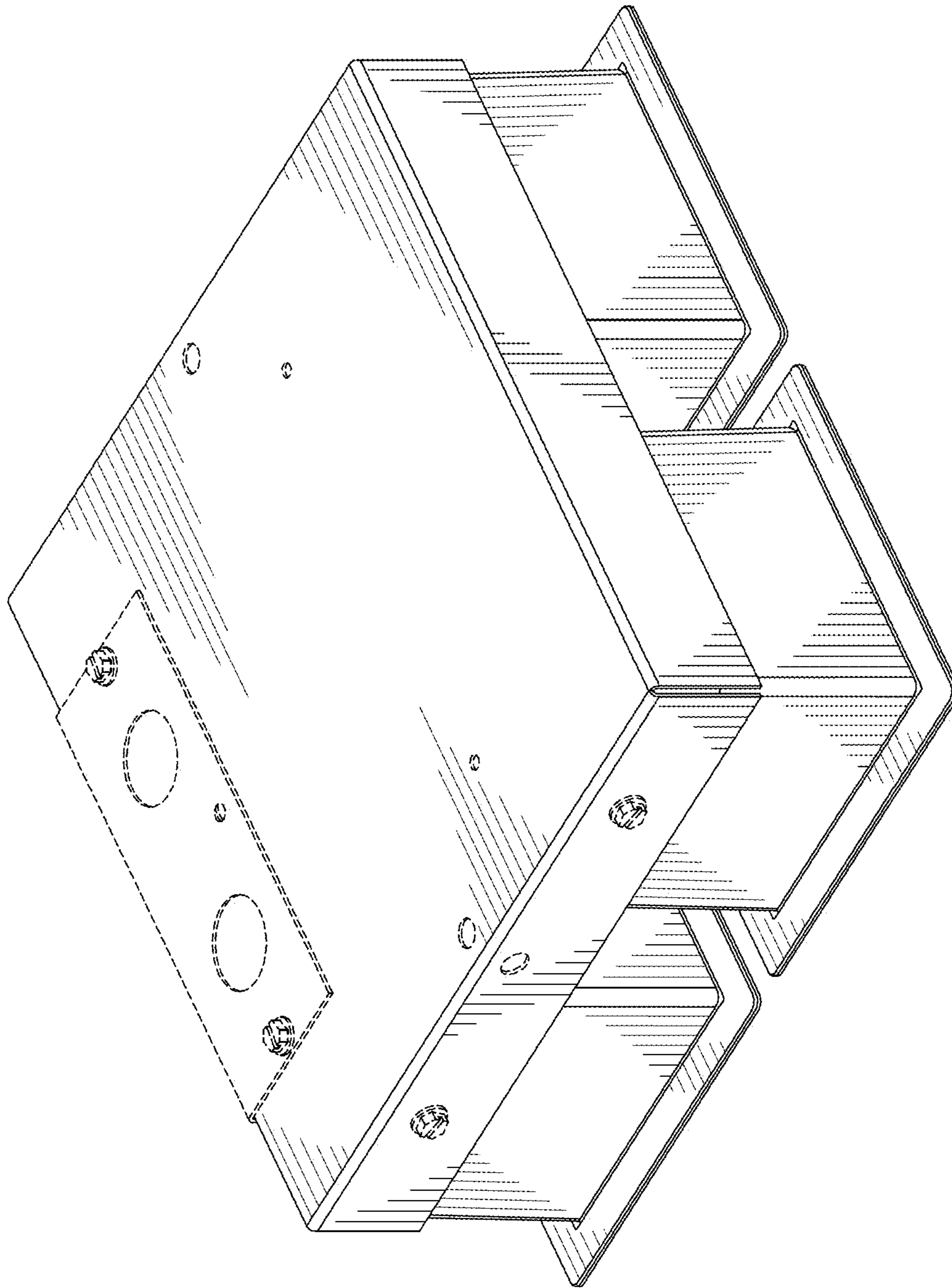


FIG. 25

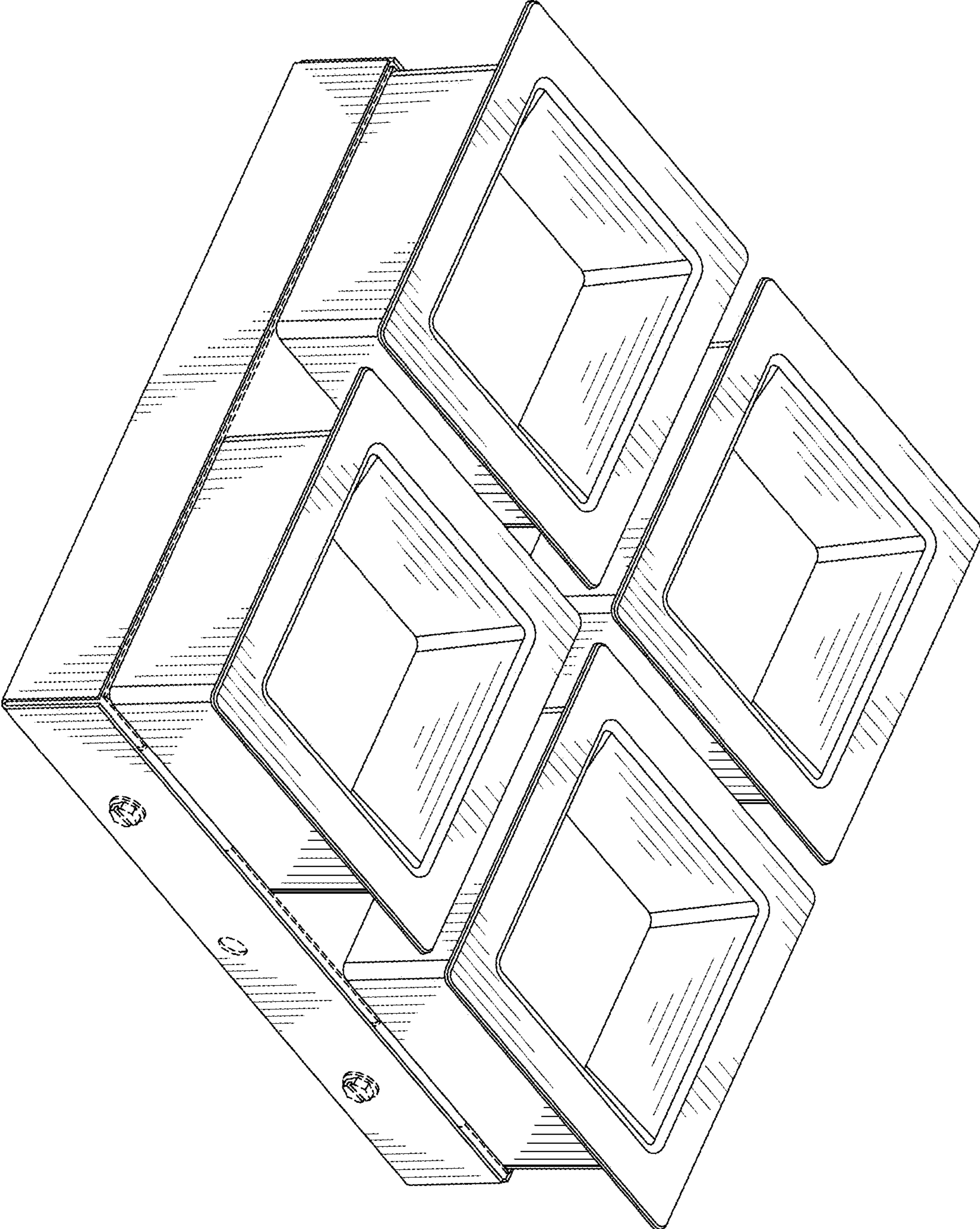


FIG. 26

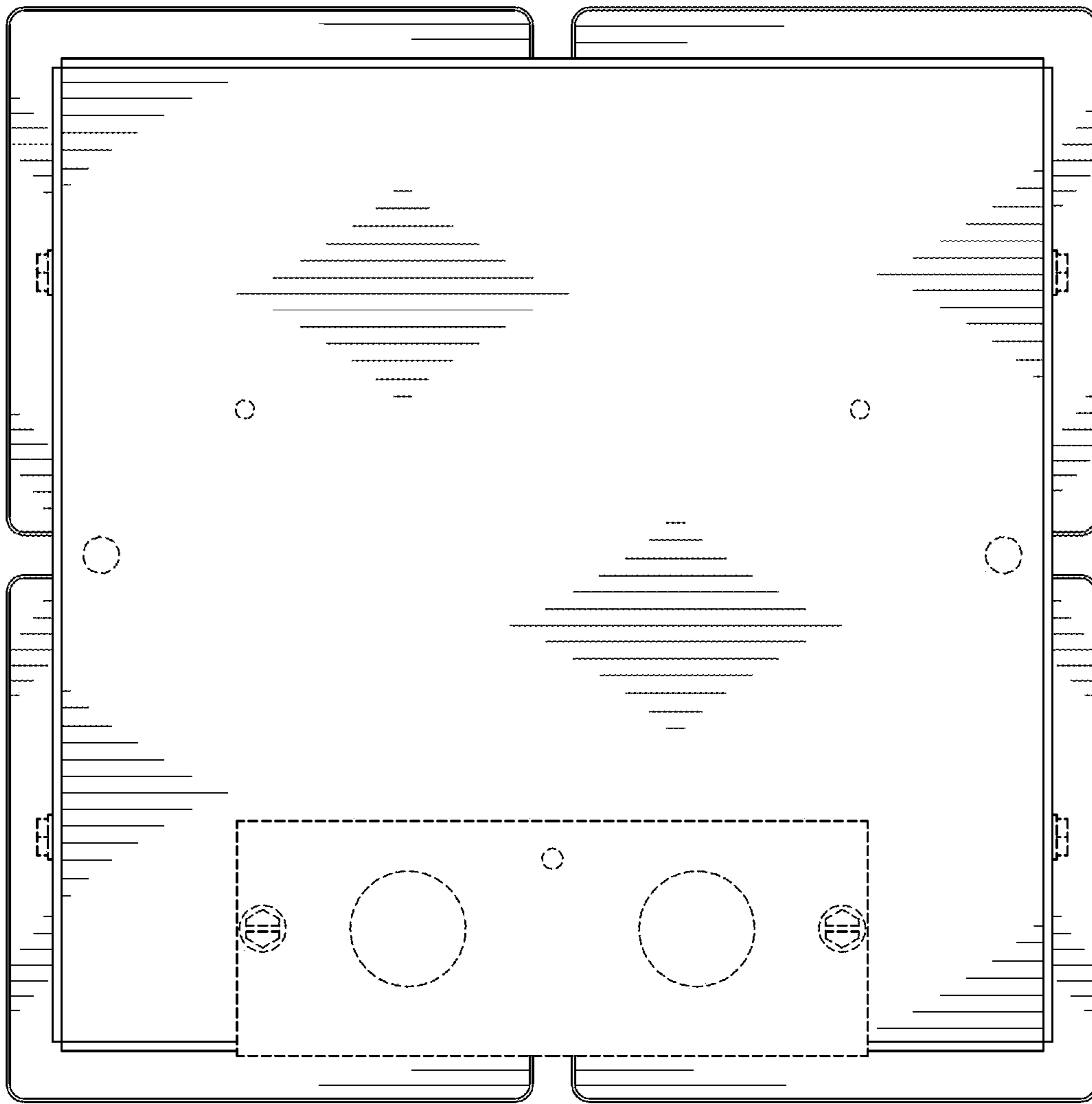


FIG. 27

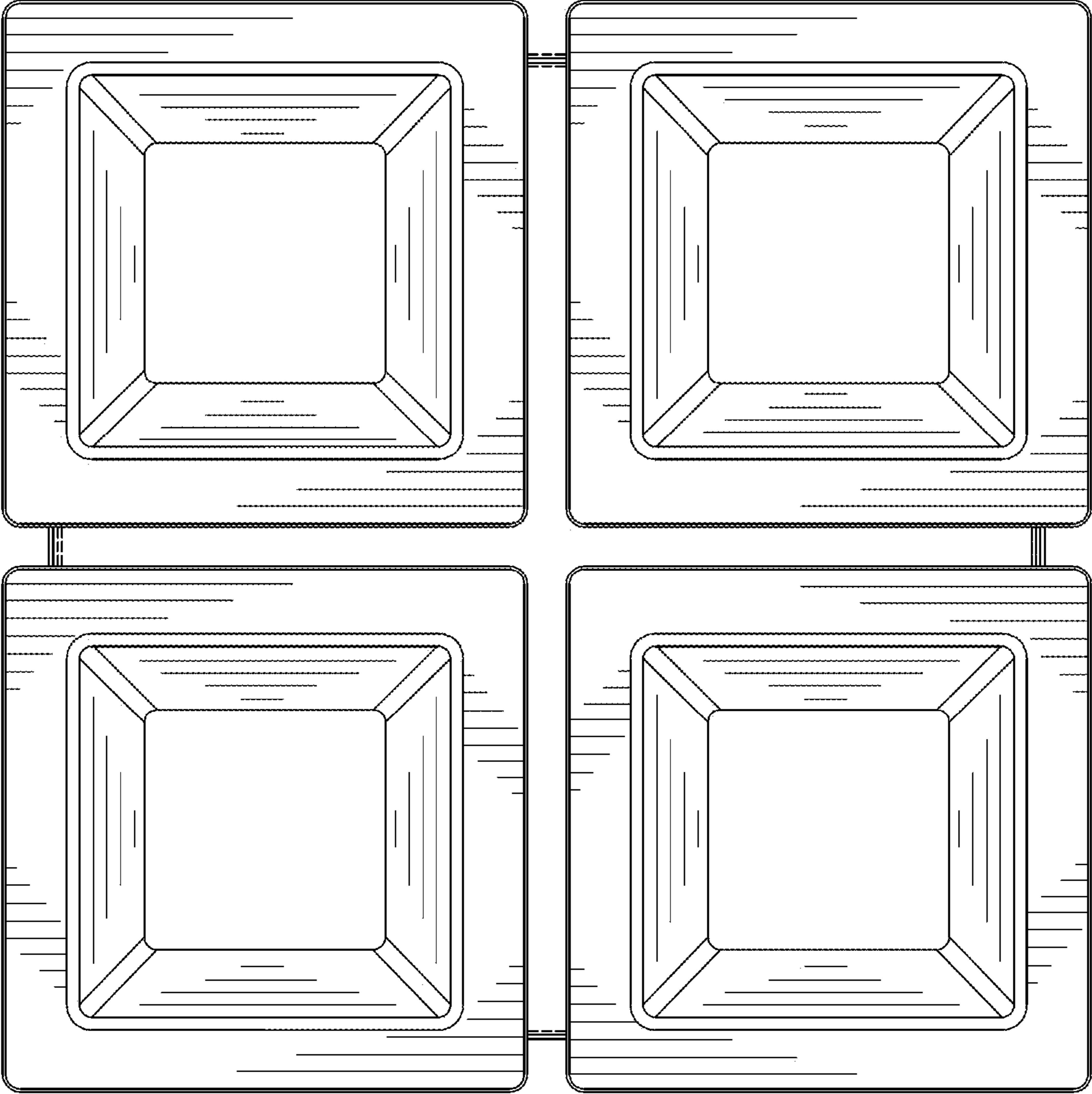


FIG. 28

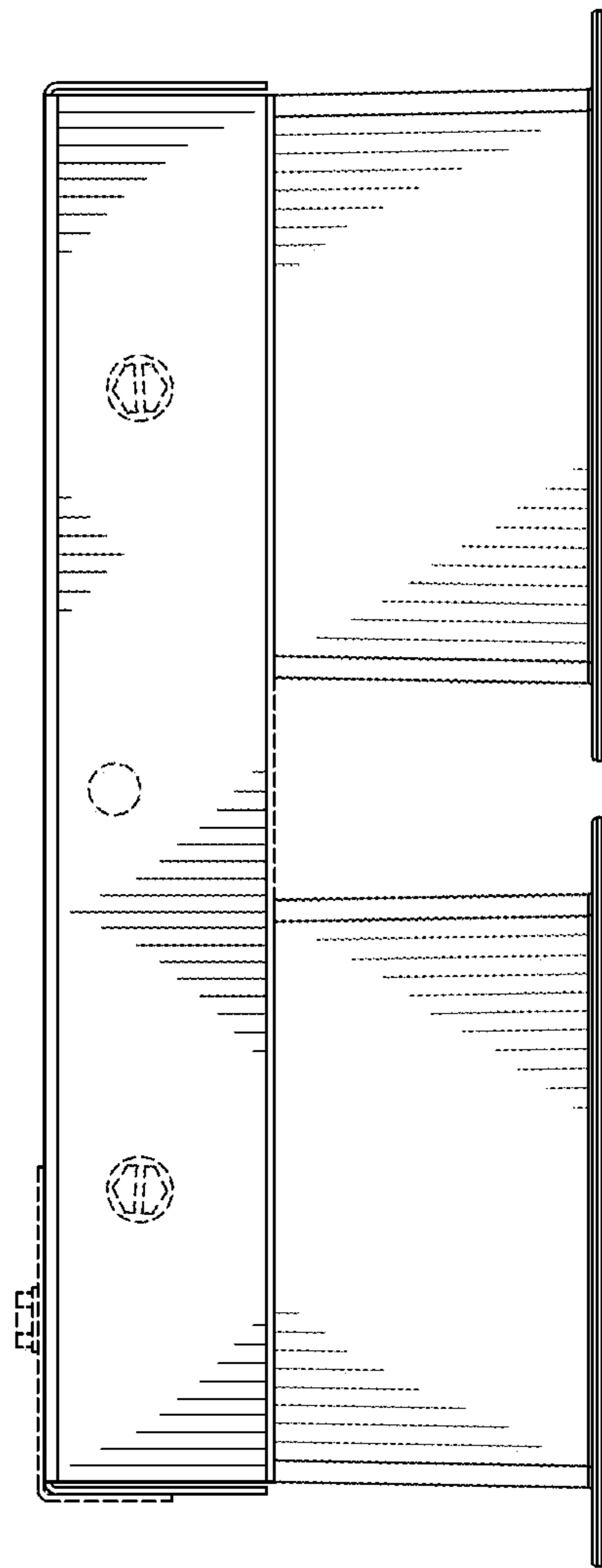


FIG. 29

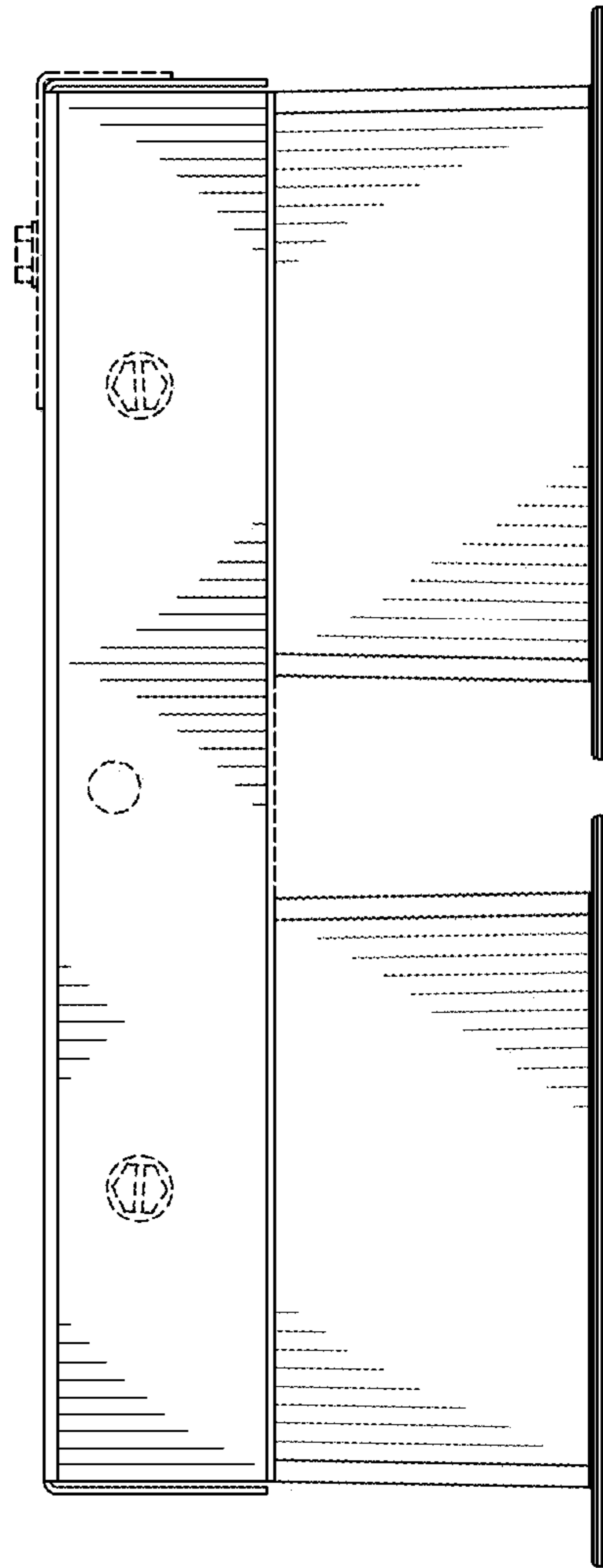


FIG. 30

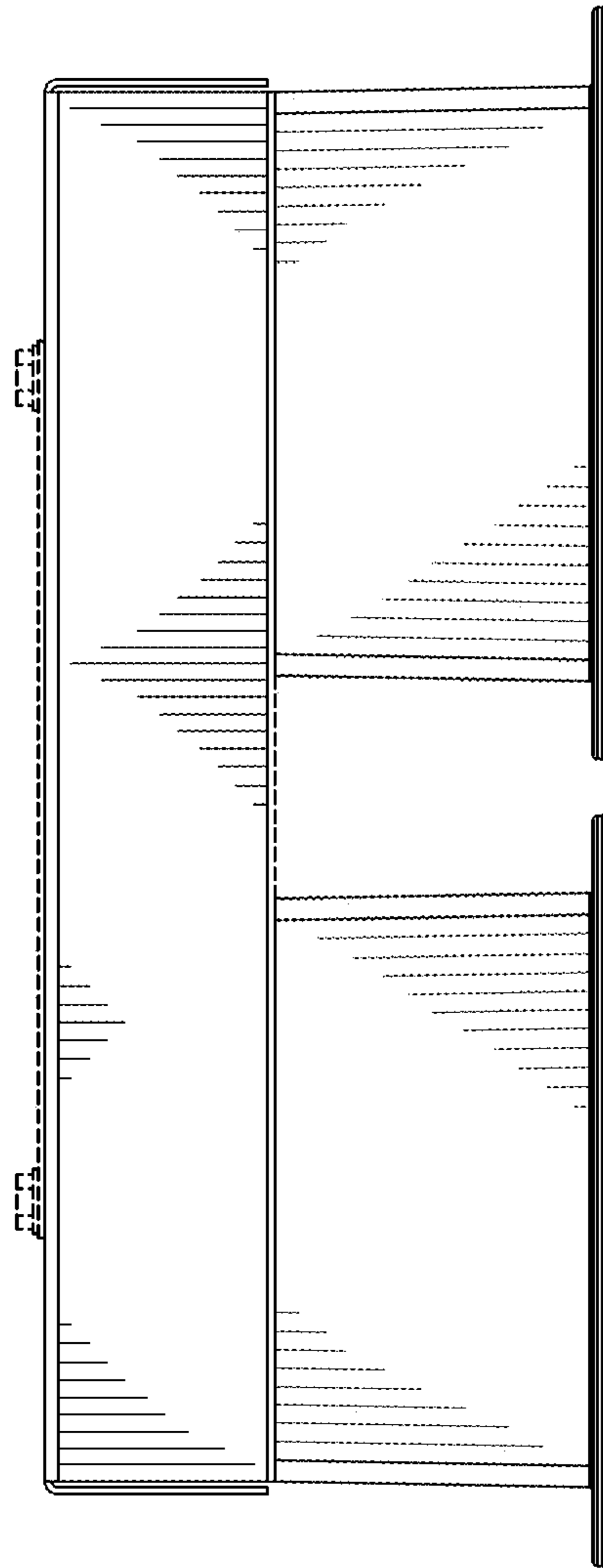


FIG. 31

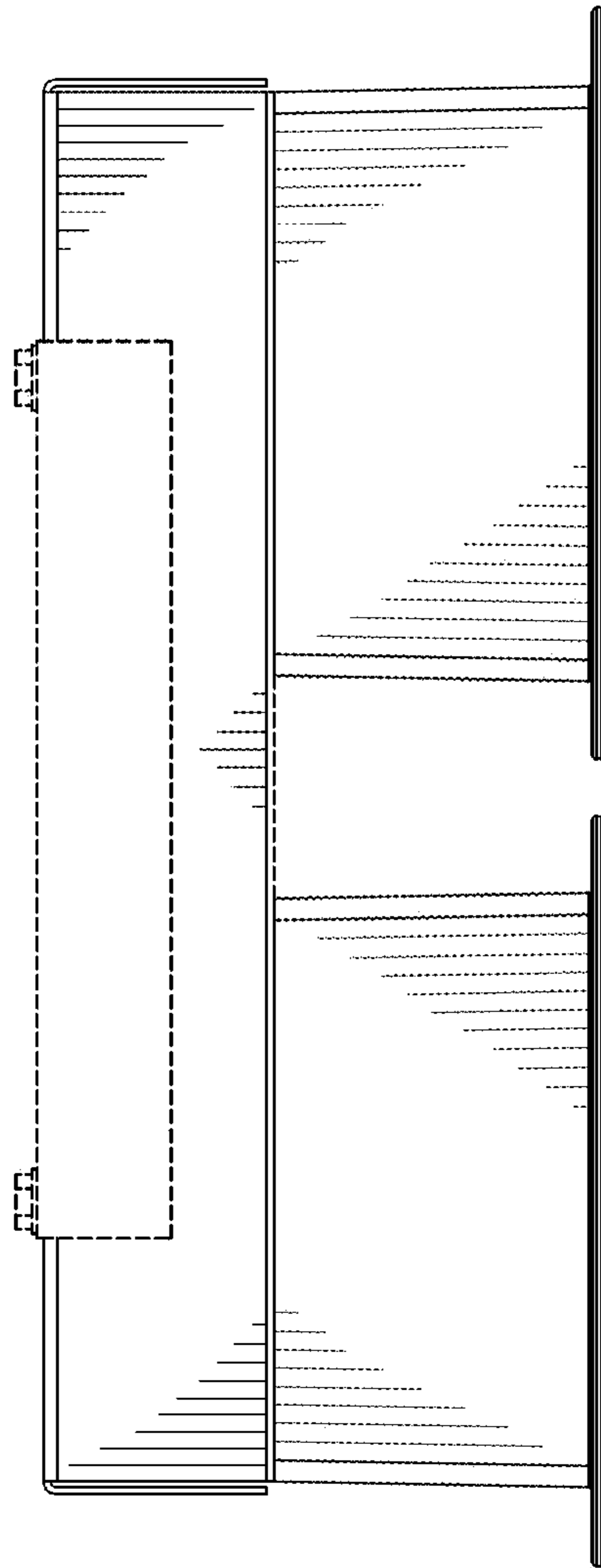


FIG. 32