



US00D885649S

(12) **United States Design Patent**  
**McLaughlin, III et al.**

(10) **Patent No.:** **US D885,649 S**  
(45) **Date of Patent:** **\*\* May 26, 2020**

(54) **LIGHTING FIXTURE**

(71) Applicant: **ARON Lighting LLC**, King of Prussia, PA (US)

(72) Inventors: **Robert Edwin McLaughlin, III**, Boston, MA (US); **Robert Norman Aronchick**, Villanova, PA (US); **Bryan Paul Aronchick**, Havertown, PA (US)

(73) Assignee: **Aron Lighting LLC**, King of Prussia, PA (US)

(\*\*) Term: **15 Years**

(21) Appl. No.: **29/670,185**

(22) Filed: **Nov. 14, 2018**

(51) **LOC (12) Cl.** ..... **26-05**

(52) **U.S. Cl.**  
USPC ..... **D26/138**

(58) **Field of Classification Search**  
USPC ..... D26/72, 74, 76, 78-83, 85, 86, 88, 90, D26/93, 111, 113, 118, 119, 120, 121, D26/122, 138, 139, 140, 141, 142, 152  
(Continued)

(56) **References Cited**

U.S. PATENT DOCUMENTS

D256,690 S \* 9/1980 Matumaru ..... D14/203  
D414,179 S \* 9/1999 Ashkenazi ..... D14/146  
(Continued)

*Primary Examiner* — Natasha Vujcic

(74) *Attorney, Agent, or Firm* — Duane Morris LLP

(57) **CLAIM**

We claim the ornamental design for a lighting fixture, as shown and described.

**DESCRIPTION**

FIG. 1 is a top perspective view of an embodiment of a lighting fixture according to the present invention.

FIG. 2 is a bottom perspective view of the lighting fixture of FIG. 1.

FIG. 3 is a top elevation view of the lighting fixture of FIG. 1.

FIG. 4 is a bottom elevation view of the lighting fixture of FIG. 1.

FIG. 5 is a front elevation view of the lighting fixture of FIG. 1.

FIG. 6 is a rear elevation view of the lighting fixture of FIG. 1.

FIG. 7 is a left side elevation view of the lighting fixture of FIG. 1.

FIG. 8 is a right side elevation view of the lighting fixture of FIG. 1.

FIG. 9 is a top perspective view of another embodiment of a lighting fixture according to the present invention.

FIG. 10 is a bottom perspective view of the lighting fixture of FIG. 9.

FIG. 11 is a top elevation view of the lighting fixture of FIG. 9.

FIG. 12 is a bottom elevation view of the lighting fixture of FIG. 9.

FIG. 13 is a front elevation view of the lighting fixture of FIG. 9.

FIG. 14 is a rear elevation view of the lighting fixture of FIG. 9.

FIG. 15 is a left side elevation view of the lighting fixture of FIG. 9.

FIG. 16 is a right side elevation view of the lighting fixture of FIG. 9.

FIG. 17 is a top perspective view of another embodiment of a lighting fixture according to the present invention.

FIG. 18 is a bottom perspective view of the lighting fixture of FIG. 17.

FIG. 19 is a top elevation view of the lighting fixture of FIG. 17.

FIG. 20 is a bottom elevation view of the lighting fixture of FIG. 17.

FIG. 21 is a front elevation view of the lighting fixture of FIG. 17.

FIG. 22 is a rear elevation view of the lighting fixture of FIG. 17.

(Continued)

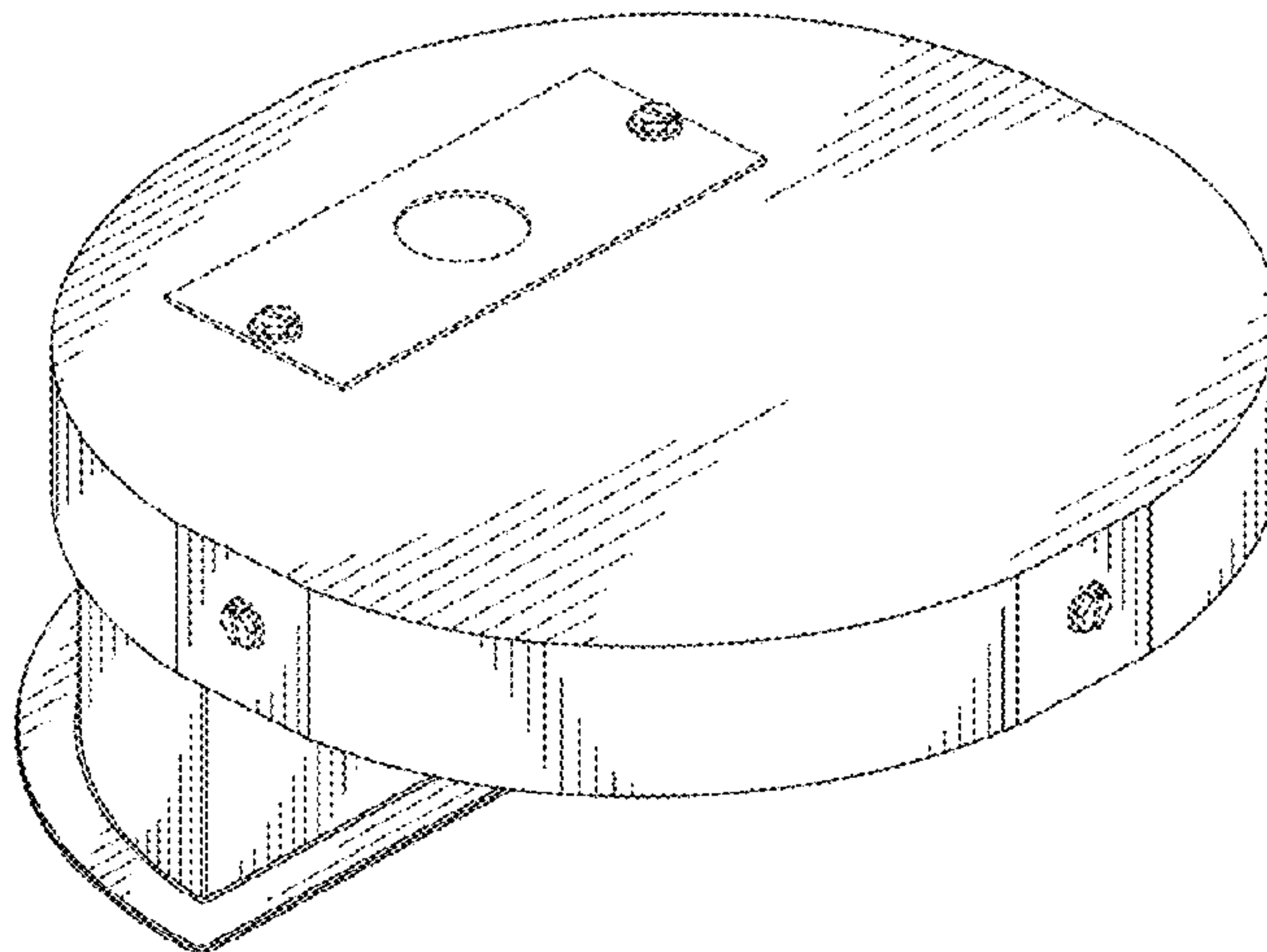


FIG. 23 is a left side elevation view of the lighting fixture of FIG. 17.

FIG. 24 is a right side elevation view of the lighting fixture of FIG. 17.

FIG. 25 is a top perspective view of another embodiment of a lighting fixture according to the present invention.

FIG. 26 is a bottom perspective view of the lighting fixture of FIG. 25.

FIG. 27 is a top elevation view of the lighting fixture of FIG. 25.

FIG. 28 is a bottom elevation view of the lighting fixture of FIG. 25.

FIG. 29 is a front elevation view of the lighting fixture of FIG. 25.

FIG. 30 is a rear elevation view of the lighting fixture of FIG. 25.

FIG. 31 is a left side elevation view of the lighting fixture of FIG. 25; and,

FIG. 32 is a right side elevation view of the lighting fixture of FIG. 25.

The broken lines shown are included for the purpose of illustrating portions of the lighting fixture that form no part of the claimed design.

**1 Claim, 32 Drawing Sheets**

(58) **Field of Classification Search**

CPC ..... F21S 2/00; F21S 4/00; F21S 4/003; F21S 4/005; F21S 4/006; F21S 4/007; F21S 4/008; F21S 6/00; F21S 8/00; F21S 8/024; F21S 8/026; F21S 8/031; F21S 8/033; F21S 8/035-037; F21S 8/04; F21S 8/043; F21S 8/063

See application file for complete search history.

(56) **References Cited**

U.S. PATENT DOCUMENTS

D465,061	S	*	10/2002	Guthrie .....	D26/138
D604,896	S	*	11/2009	Chen .....	D26/142
D620,191	S	*	7/2010	Feigenbaum .....	D26/142
D632,839	S	*	2/2011	Kim .....	D26/138
D700,737	S	*	3/2014	Campagna .....	D26/142
D728,842	S	*	5/2015	Arola Ferrer .....	D26/83
D735,933	S	*	8/2015	Campagna .....	D26/142
D770,084	S	*	10/2016	Salomon .....	D26/138
D770,673	S	*	11/2016	Hasan .....	D26/138
D785,852	S	*	5/2017	Rashidi Doust .....	D26/138
D818,185	S	*	5/2018	Wilson .....	D26/138
D843,642	S	*	3/2019	Mathews .....	D26/142
2017/0082253	A1		3/2017	Sorensen et al.	

\* cited by examiner

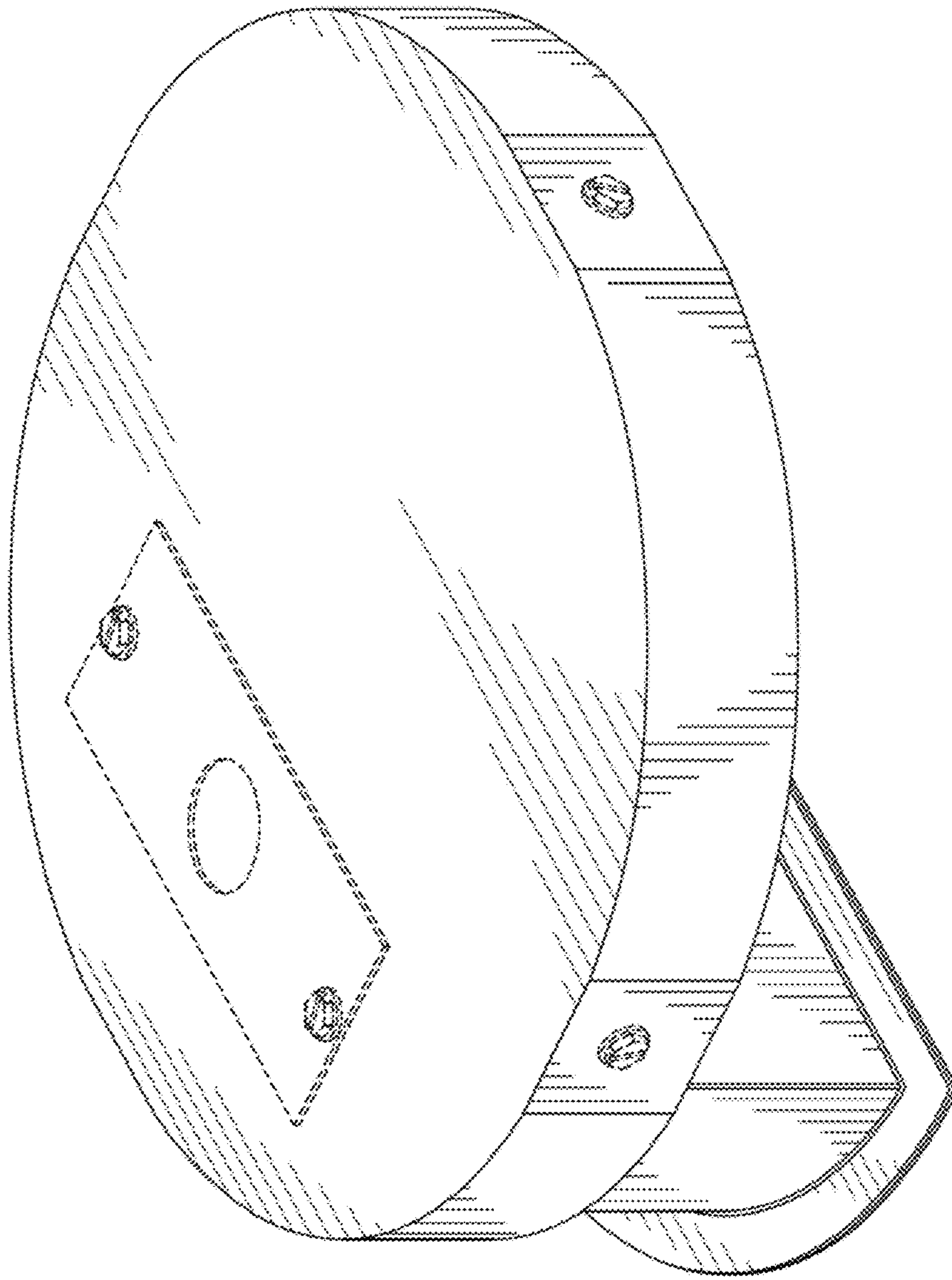


FIG. 1



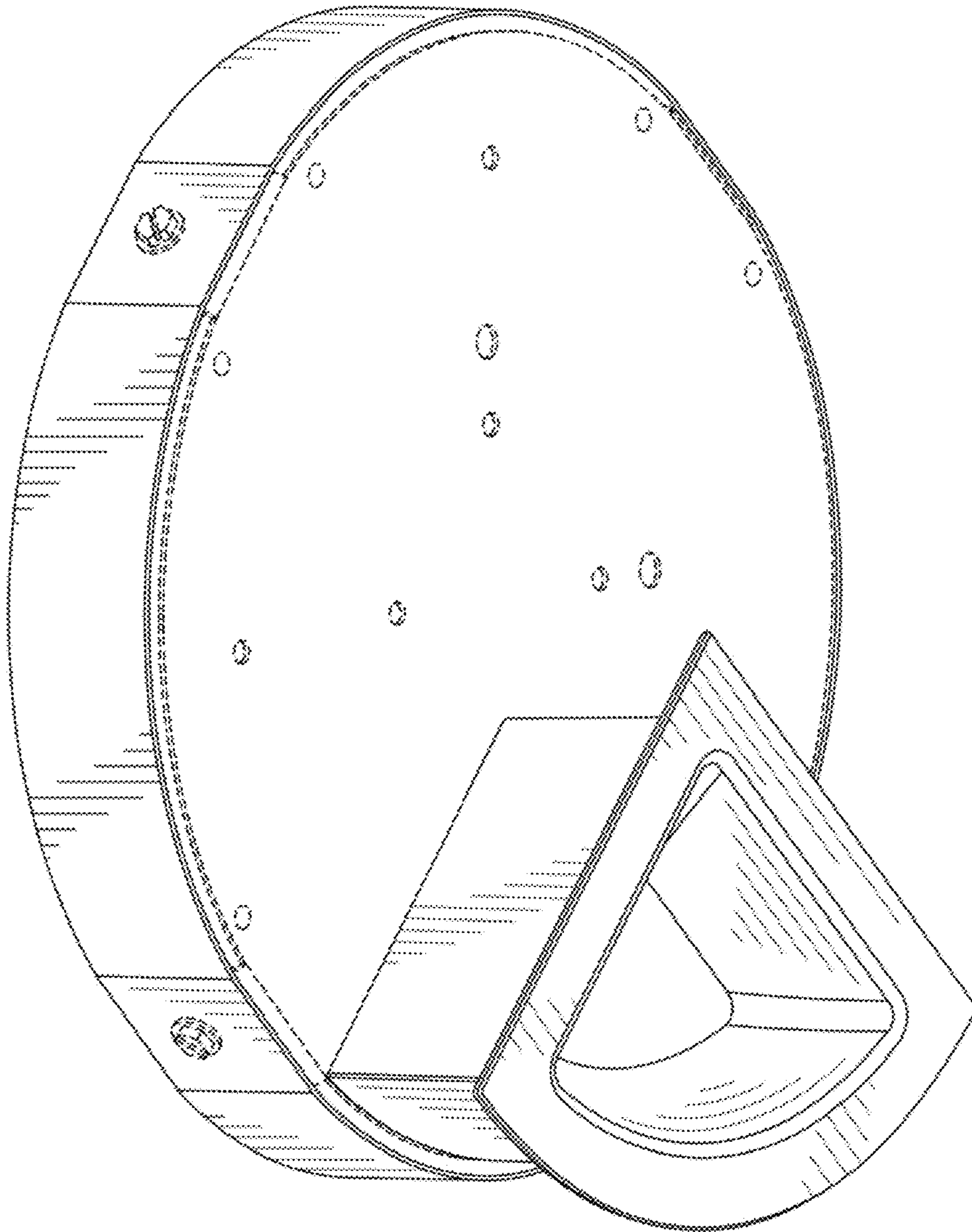


FIG. 2

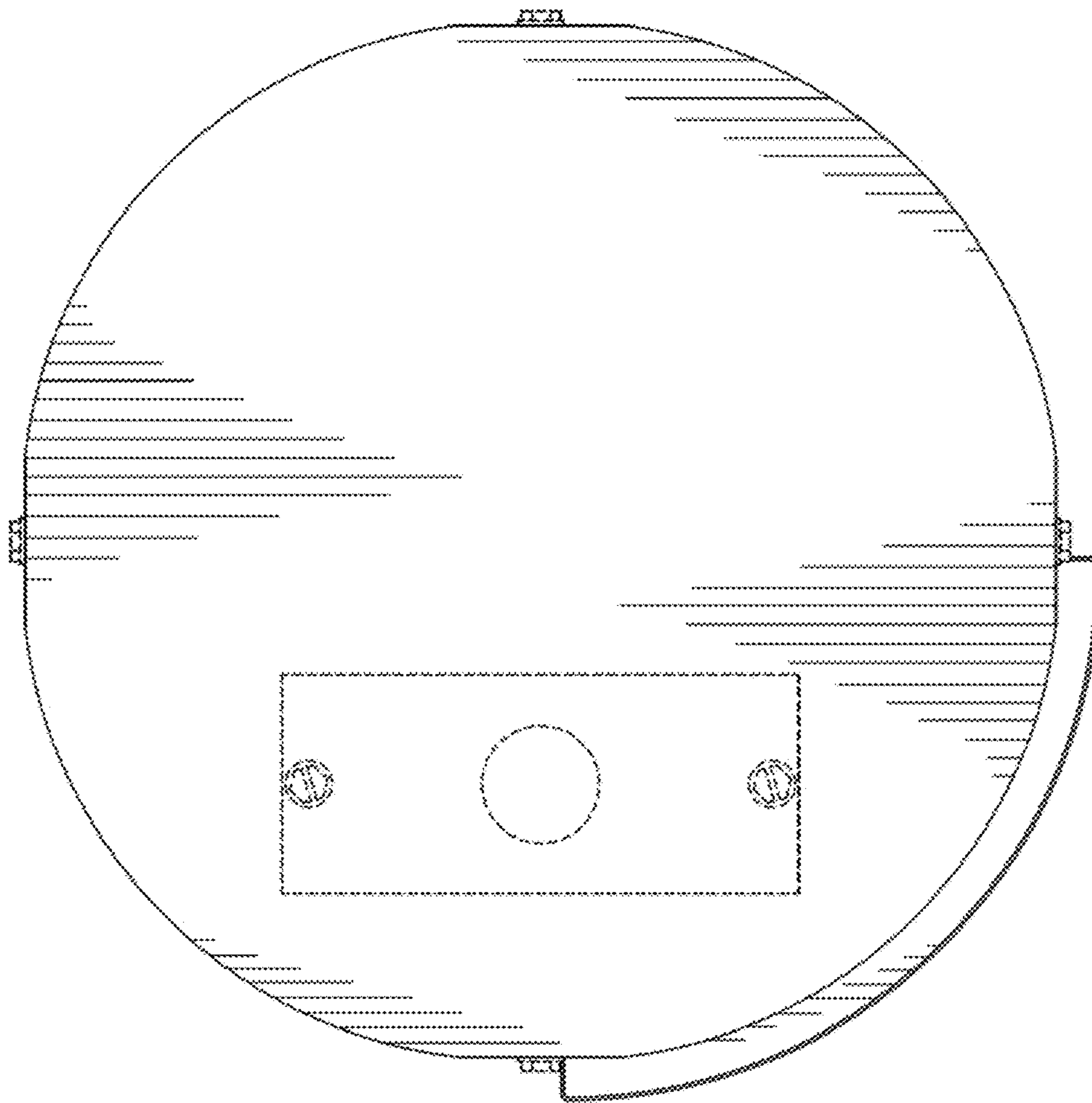


FIG. 3

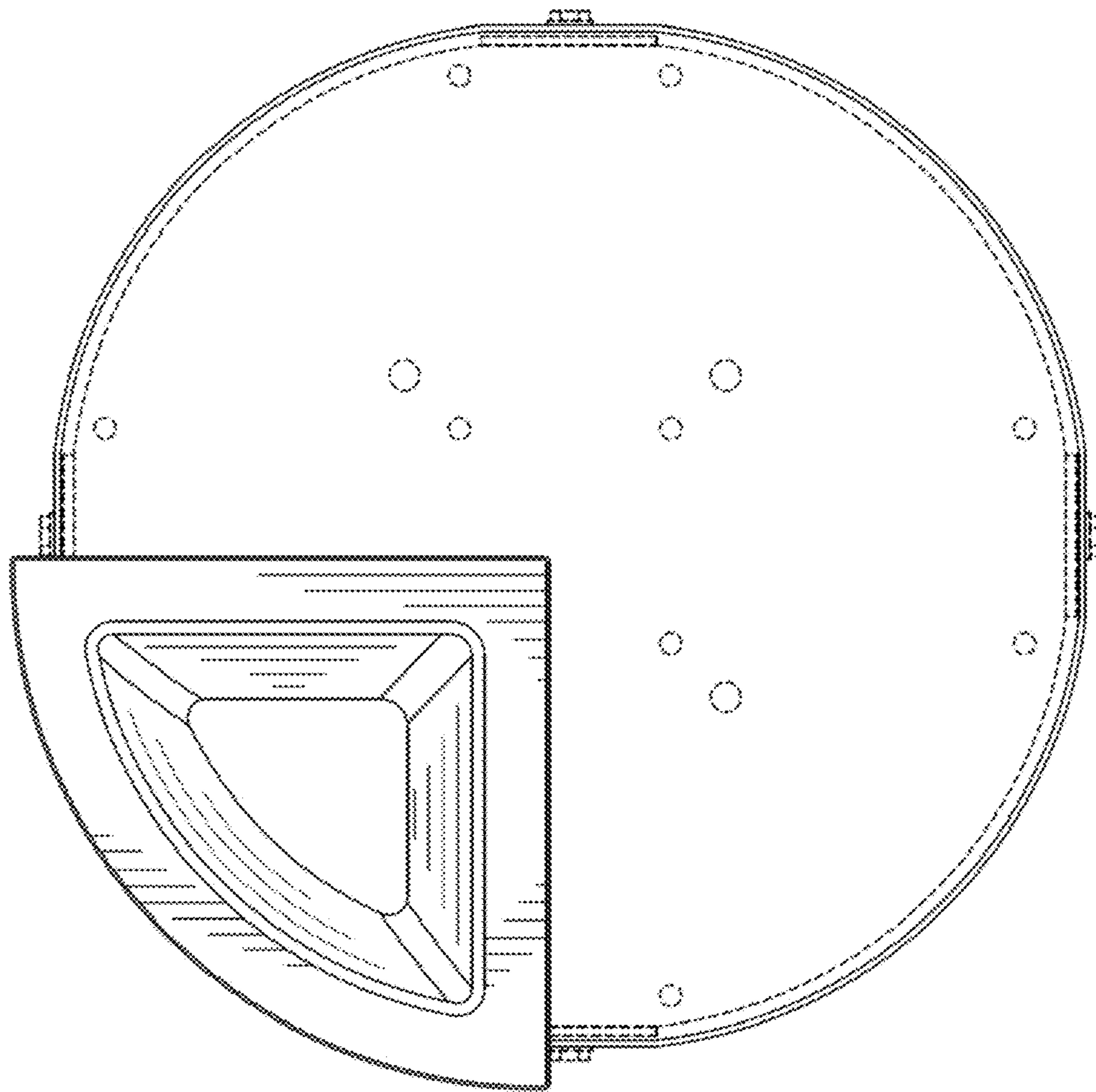


FIG. 4

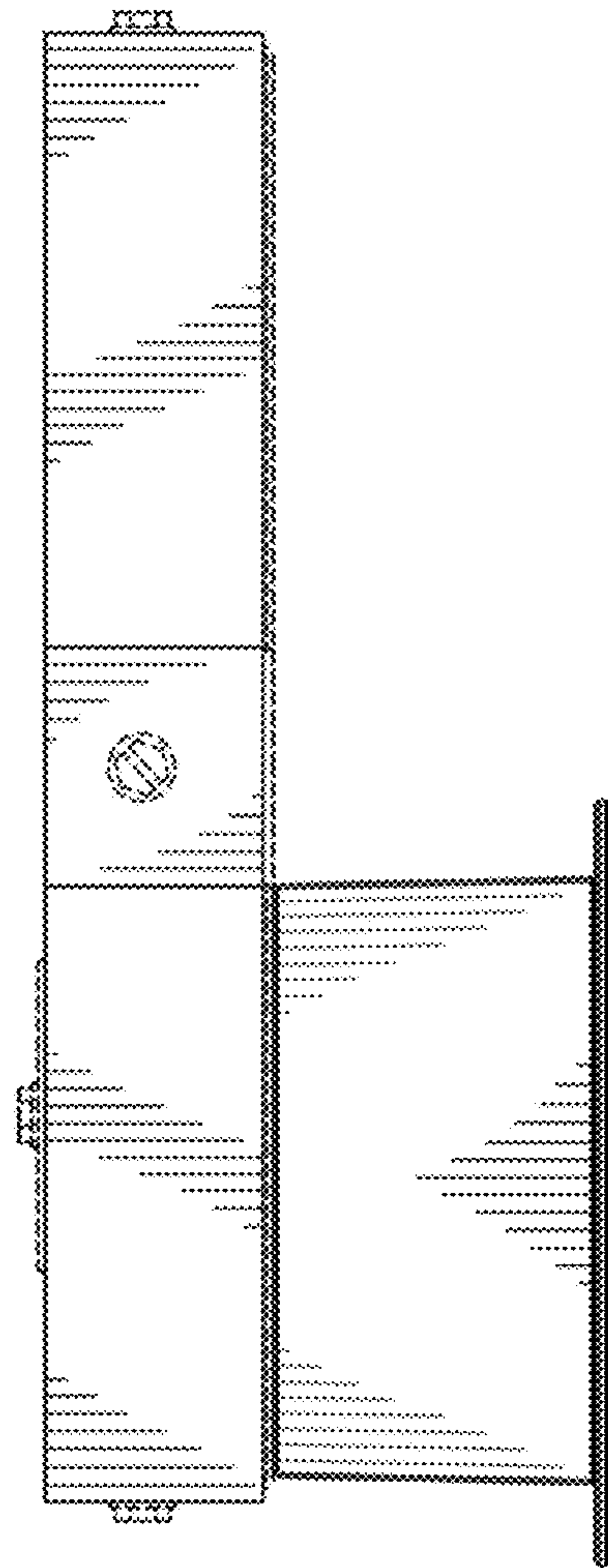


FIG. 5

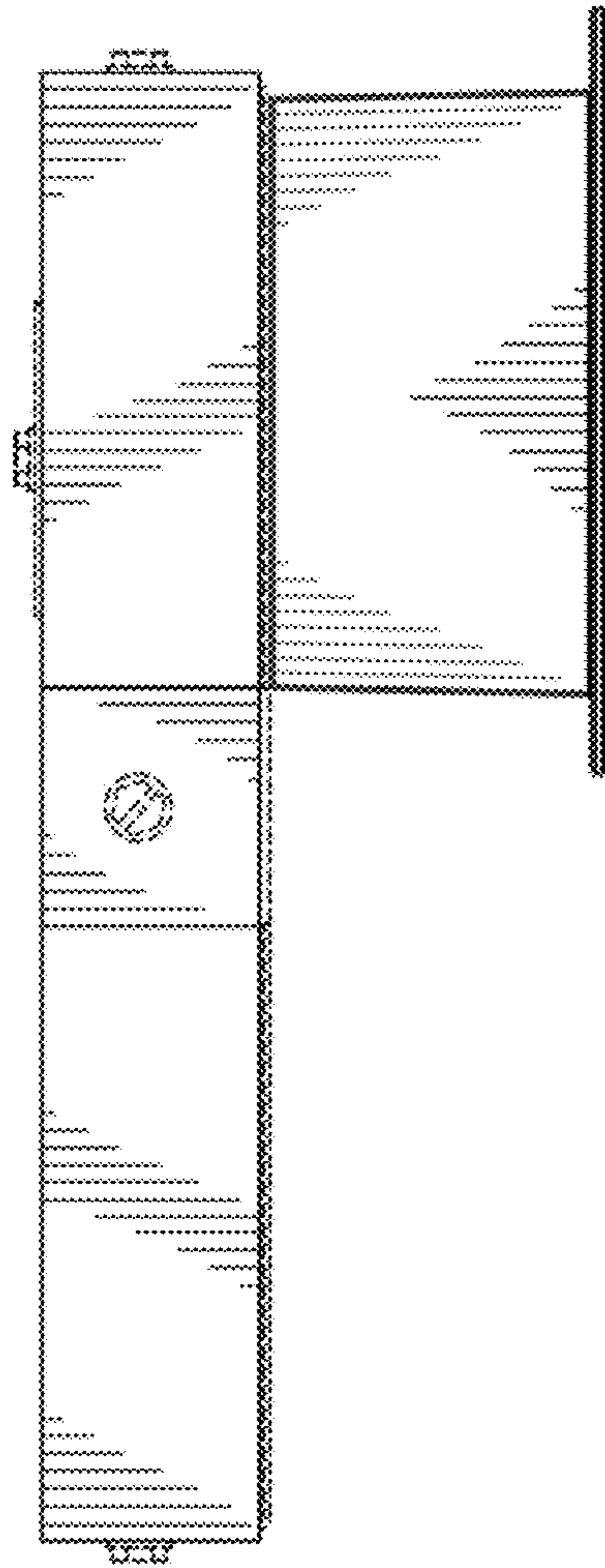


FIG. 6



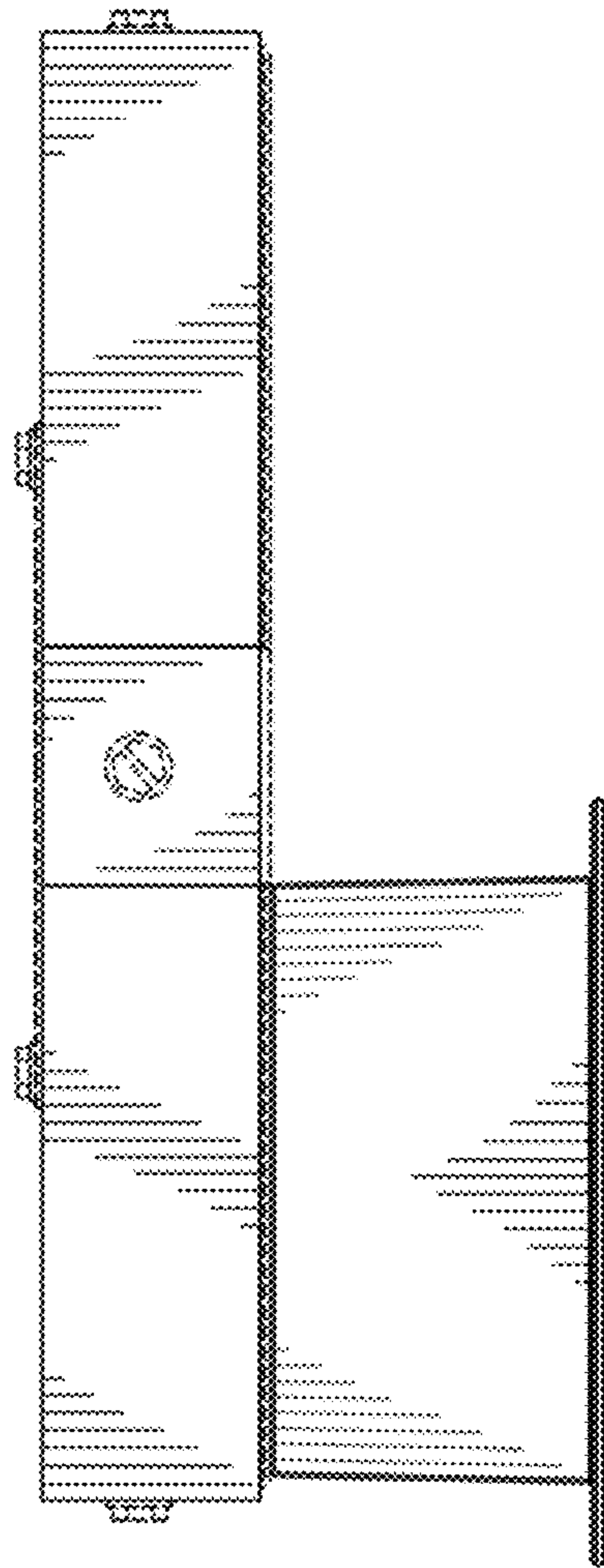


FIG. 7

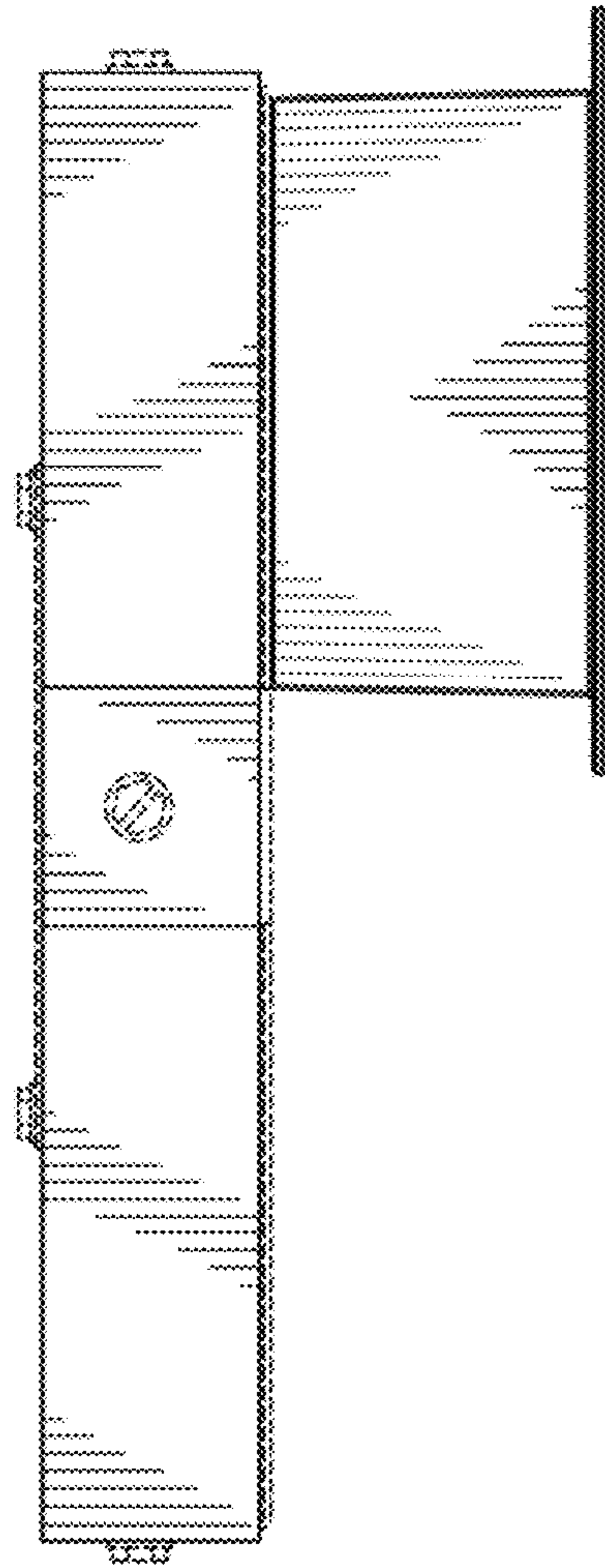


FIG. 8

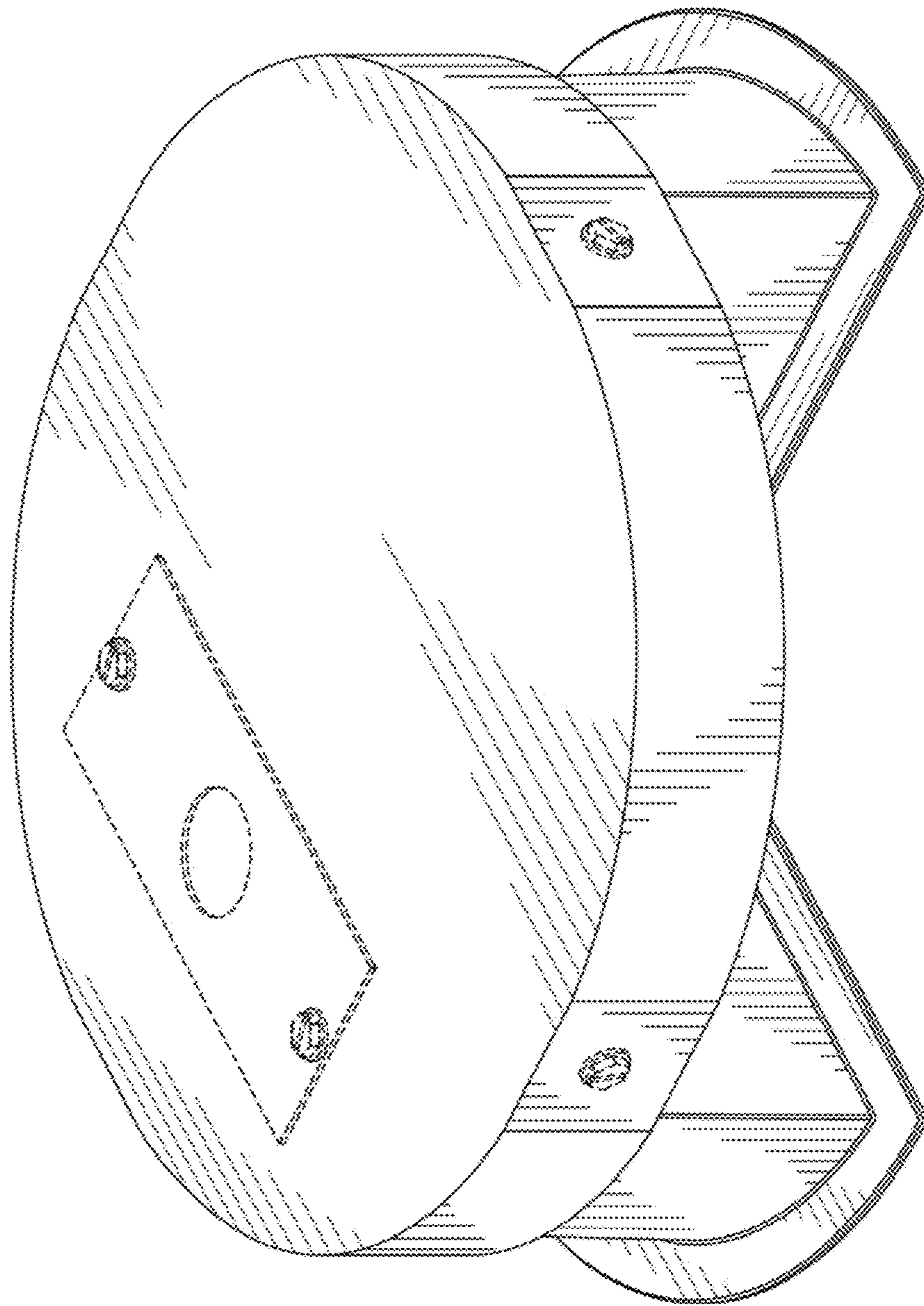


FIG. 9

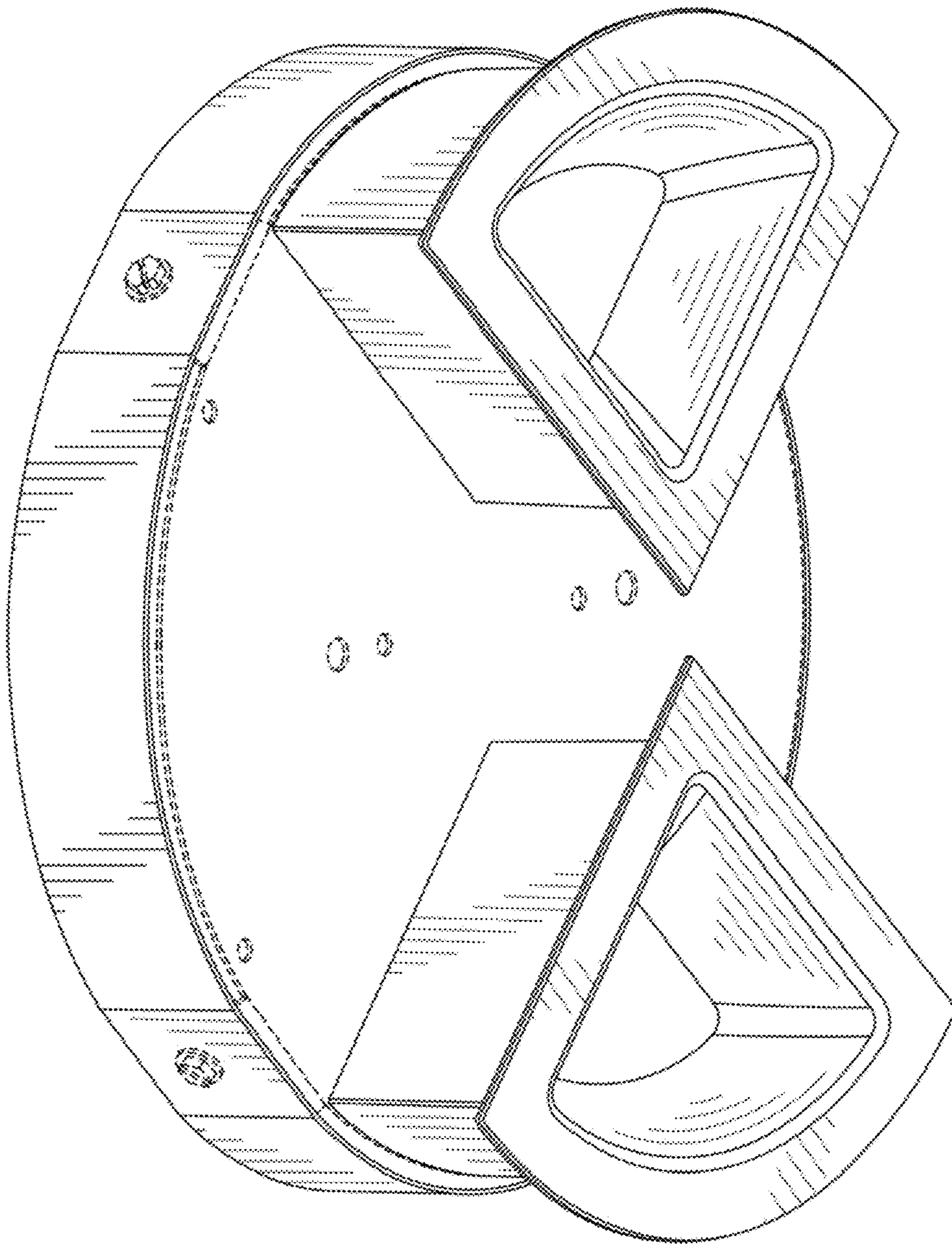


FIG. 10



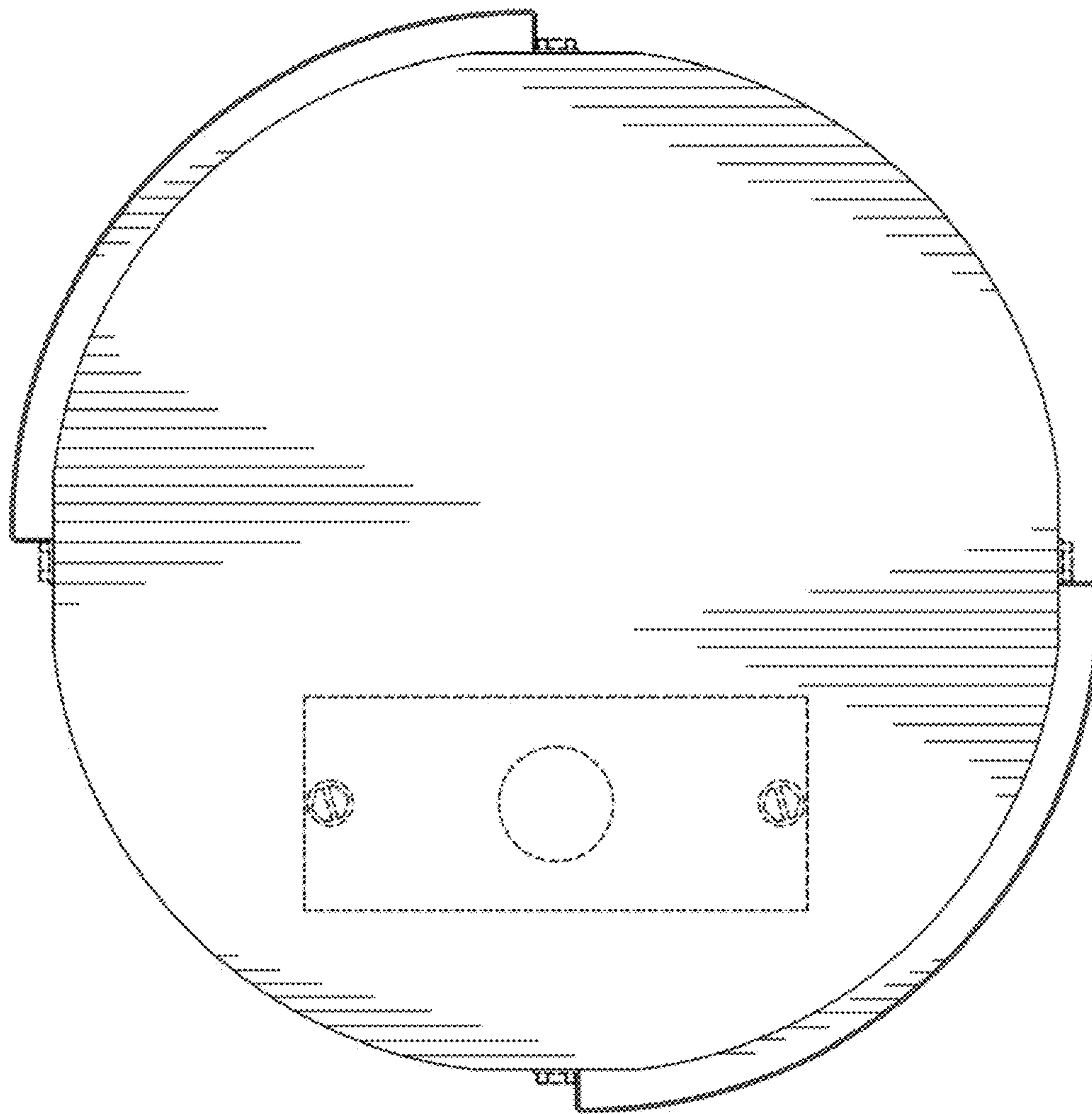


FIG. 11

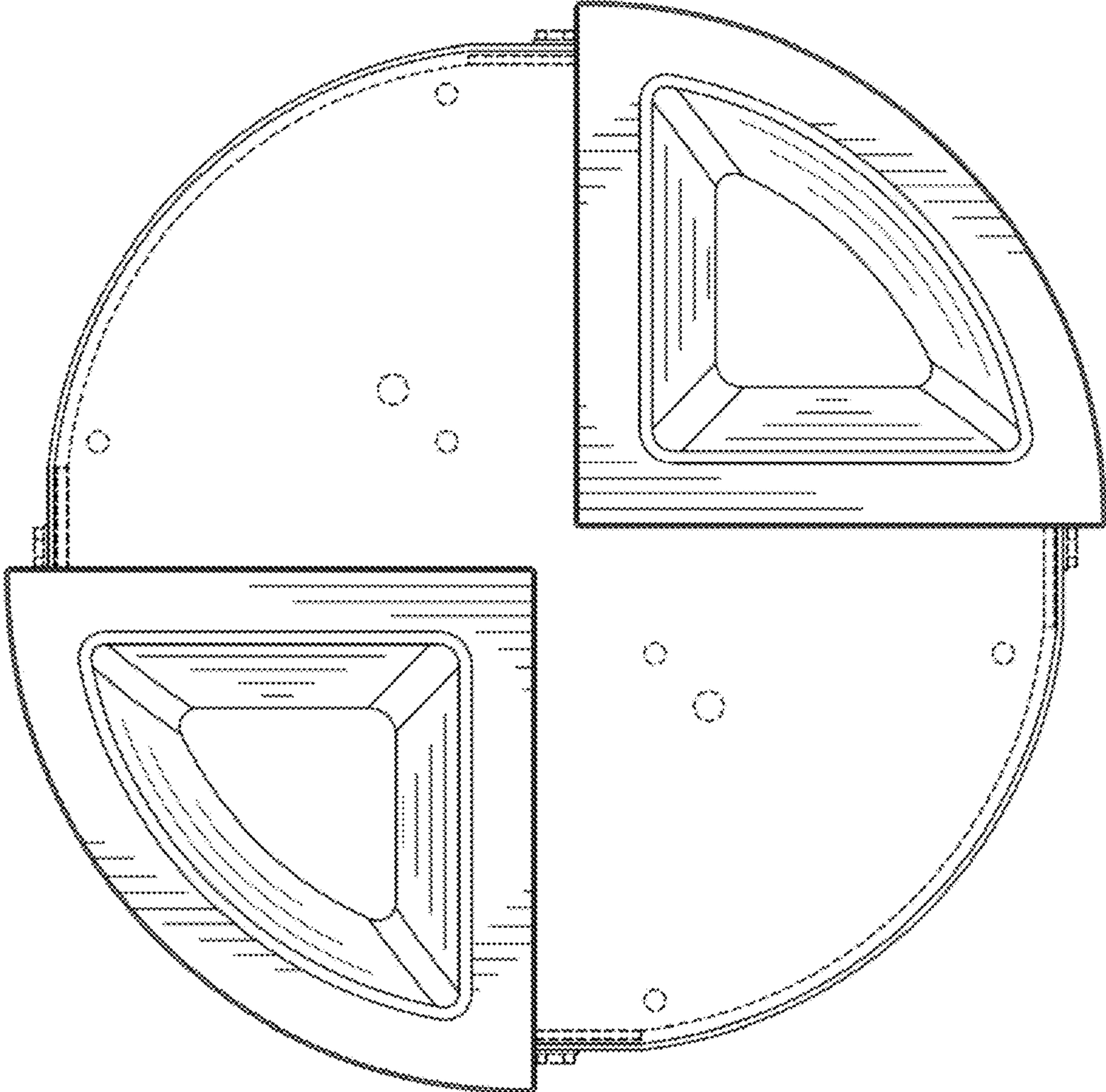


FIG. 12

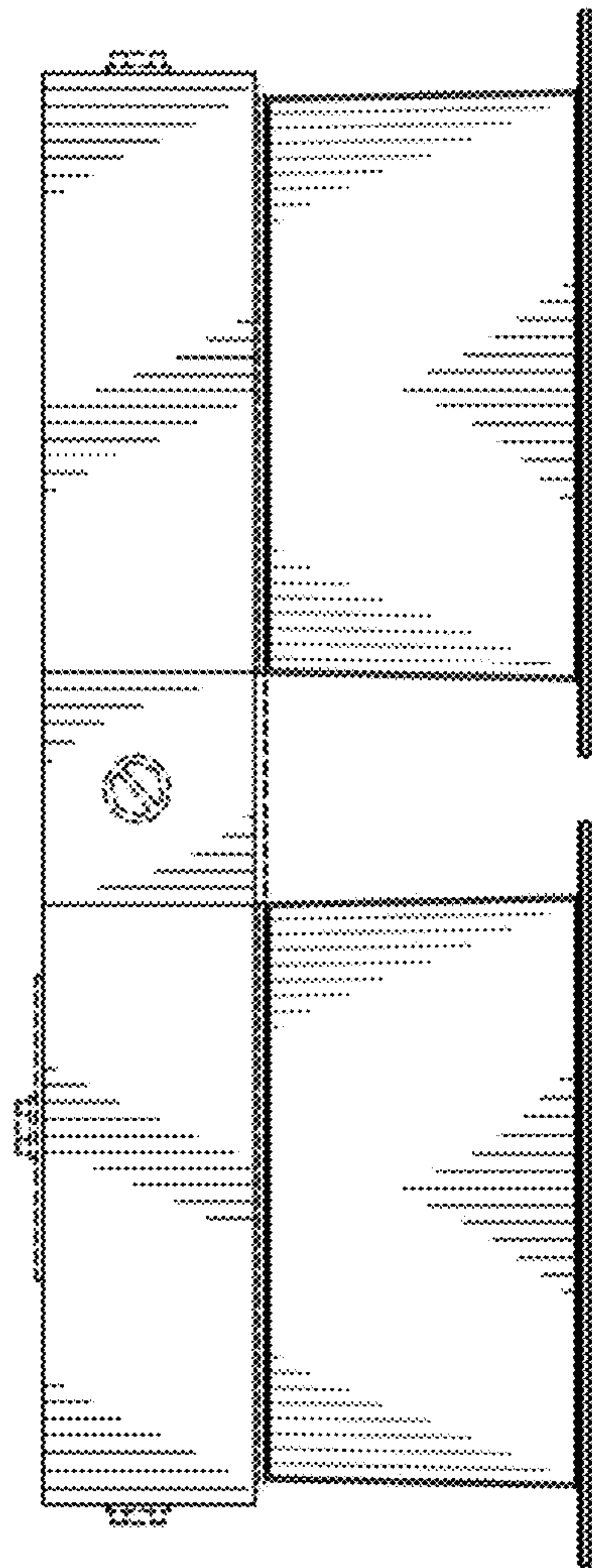


FIG. 13

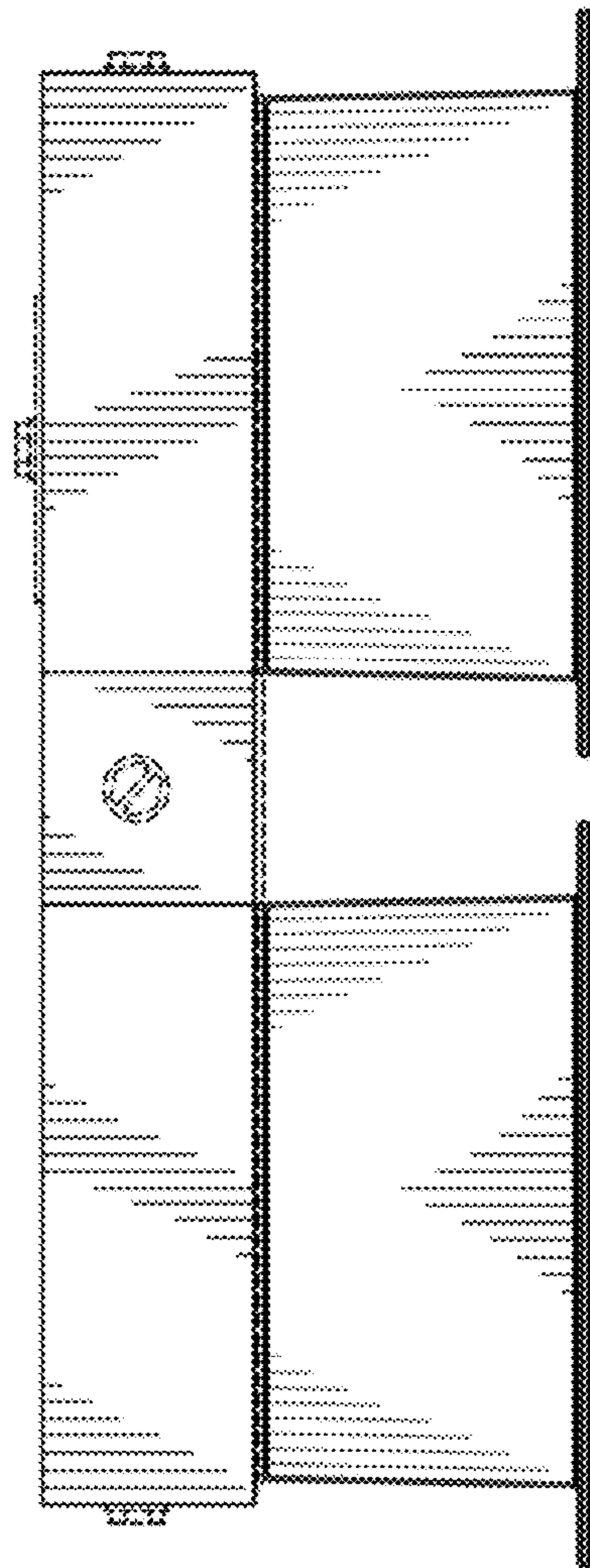


FIG. 14





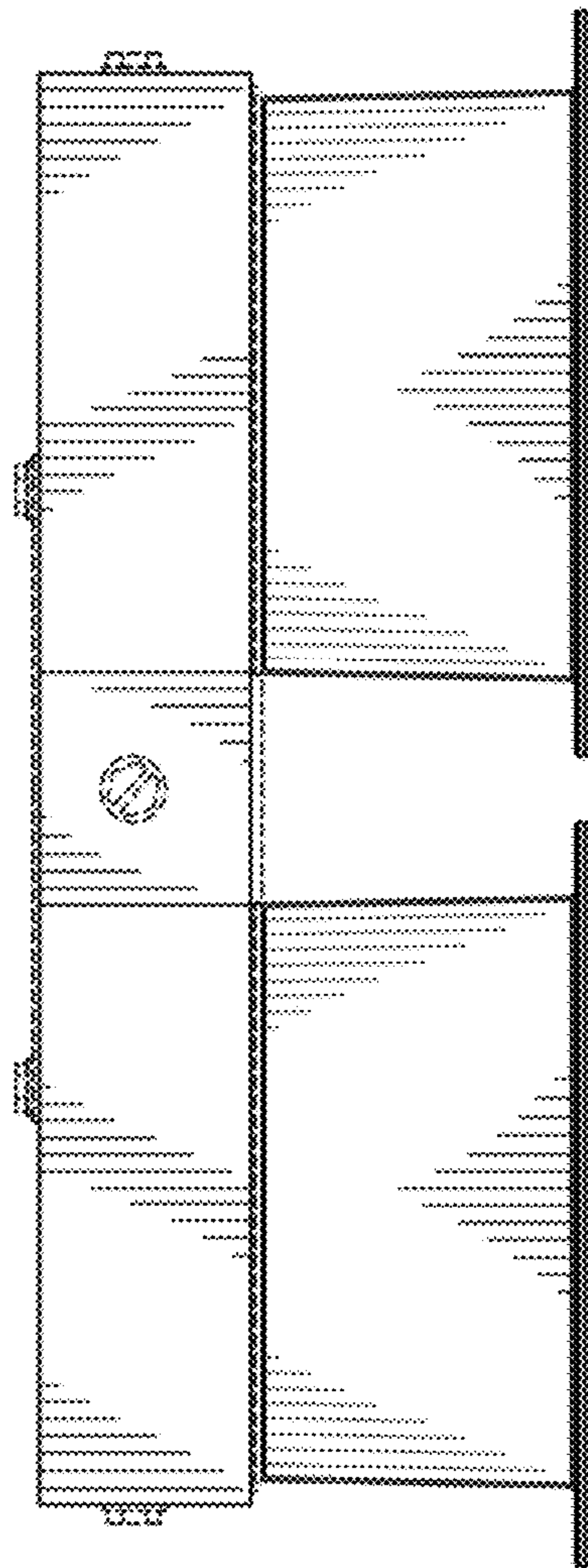


FIG. 16

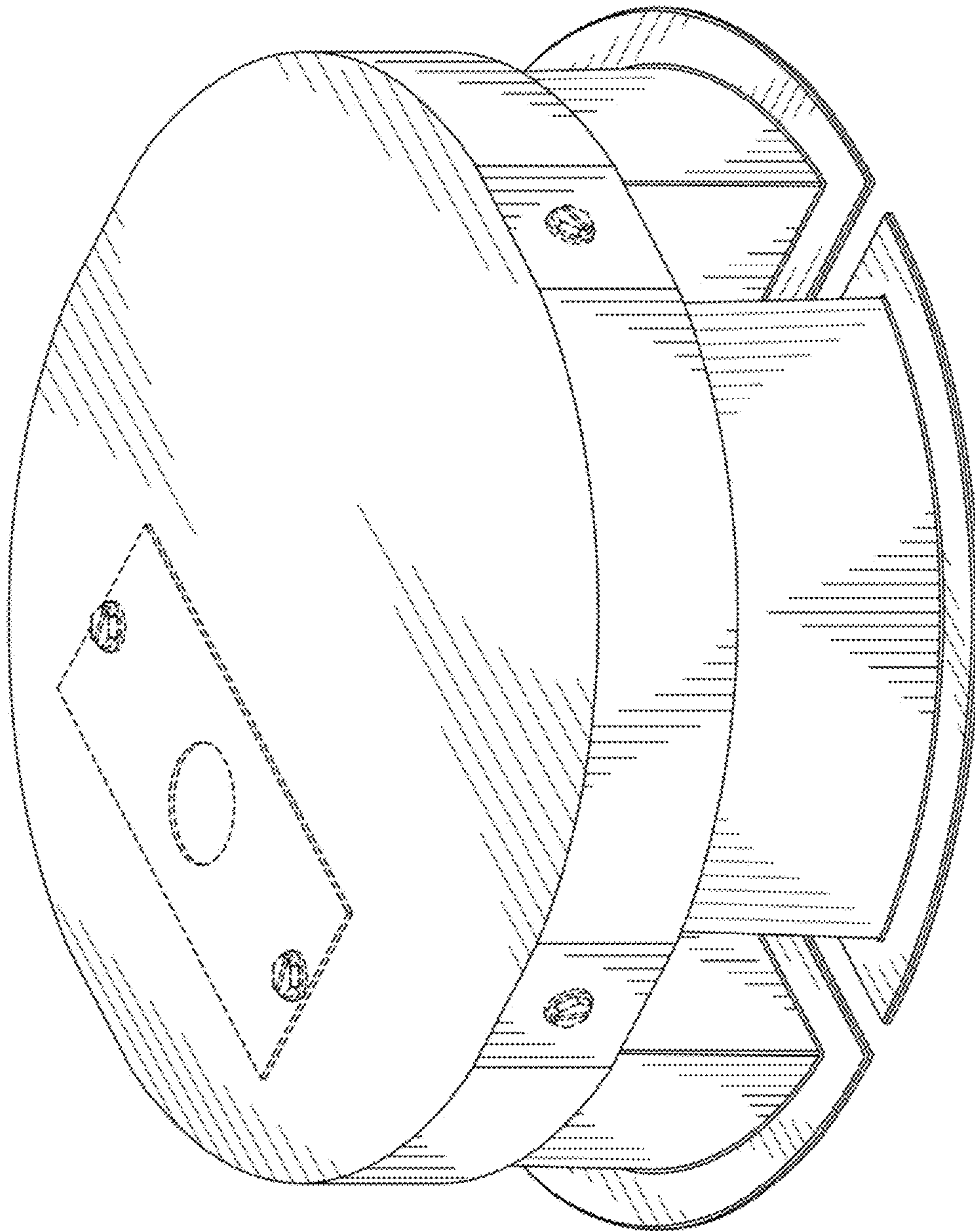


FIG. 17

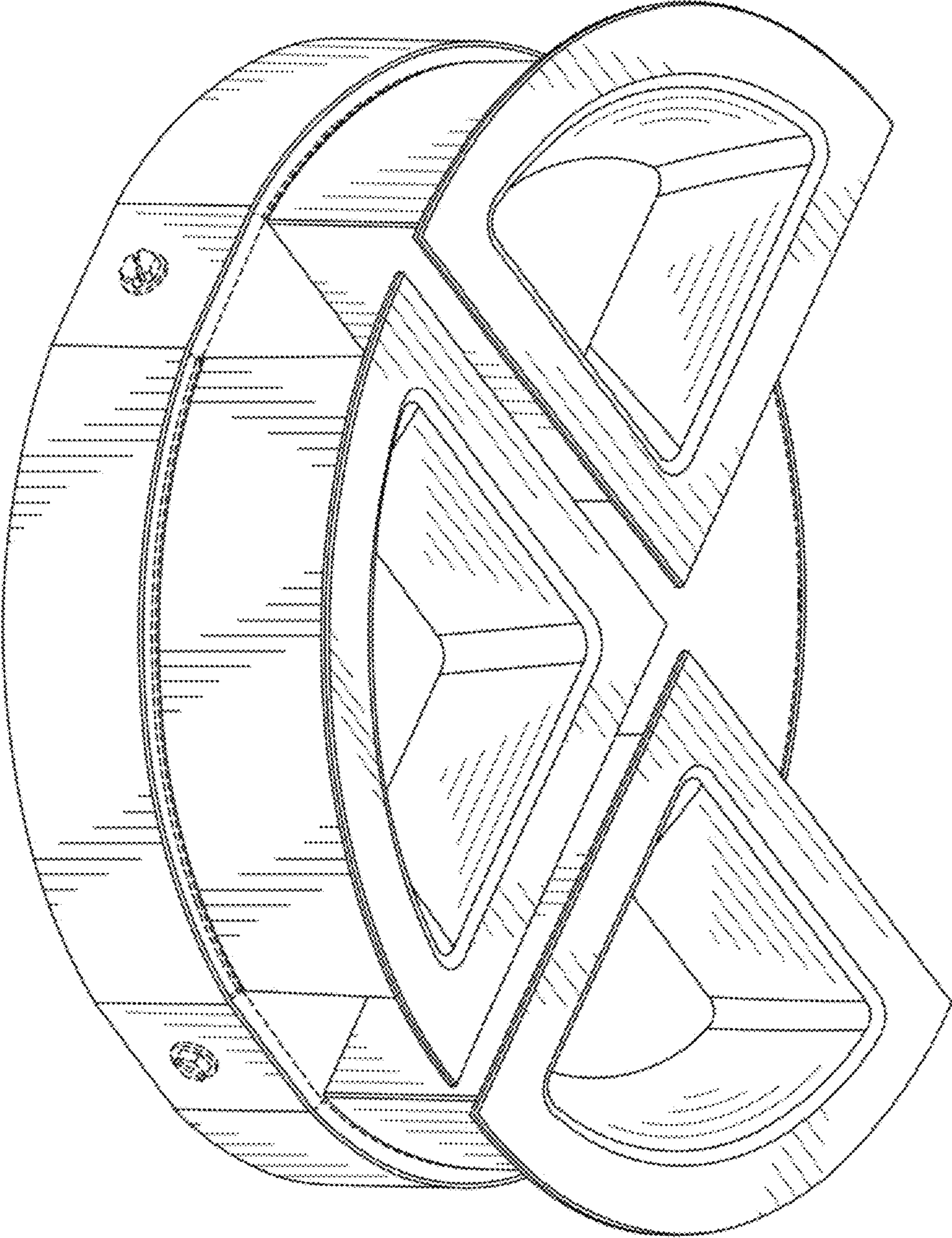


FIG. 18



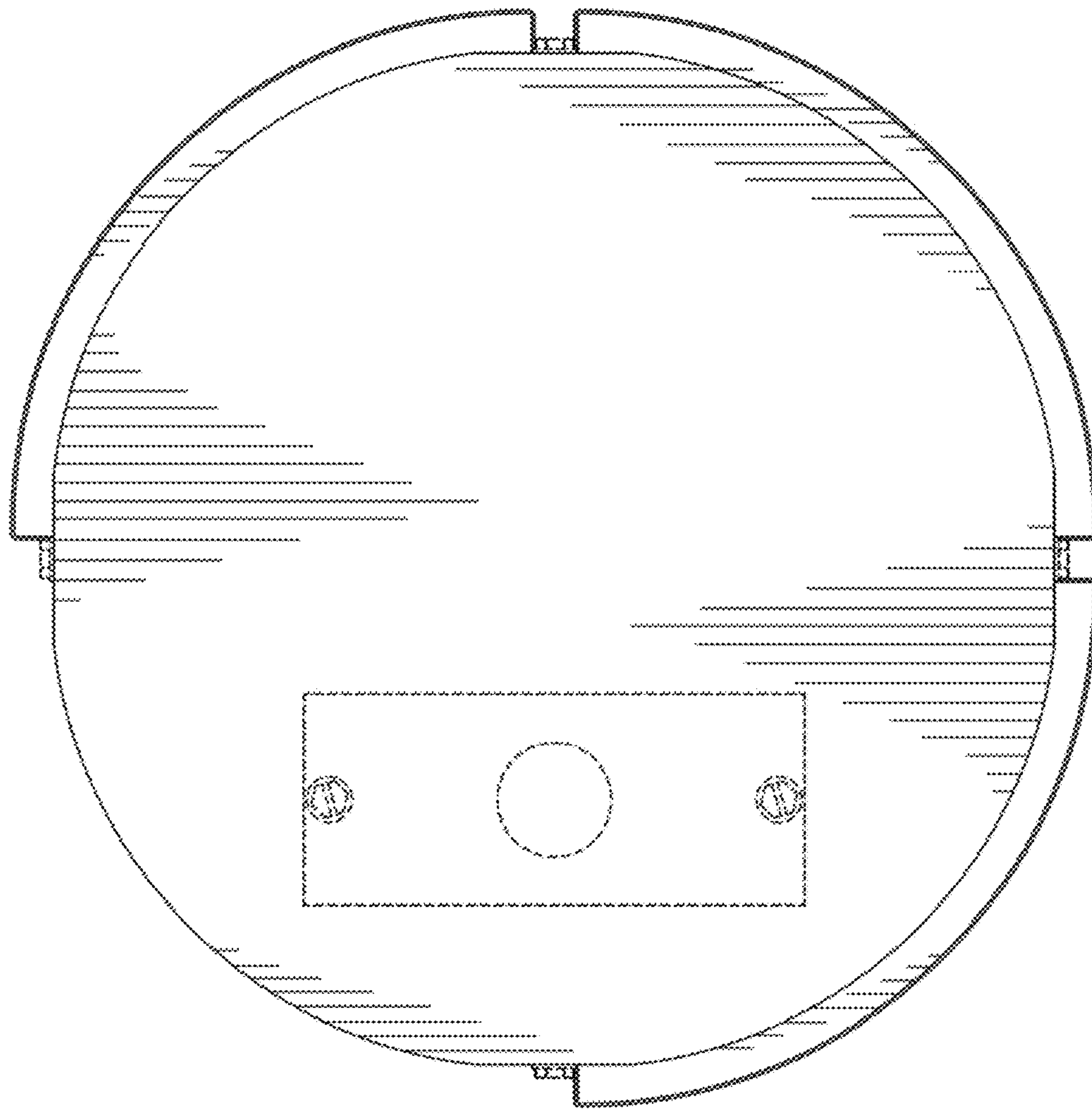


FIG. 19

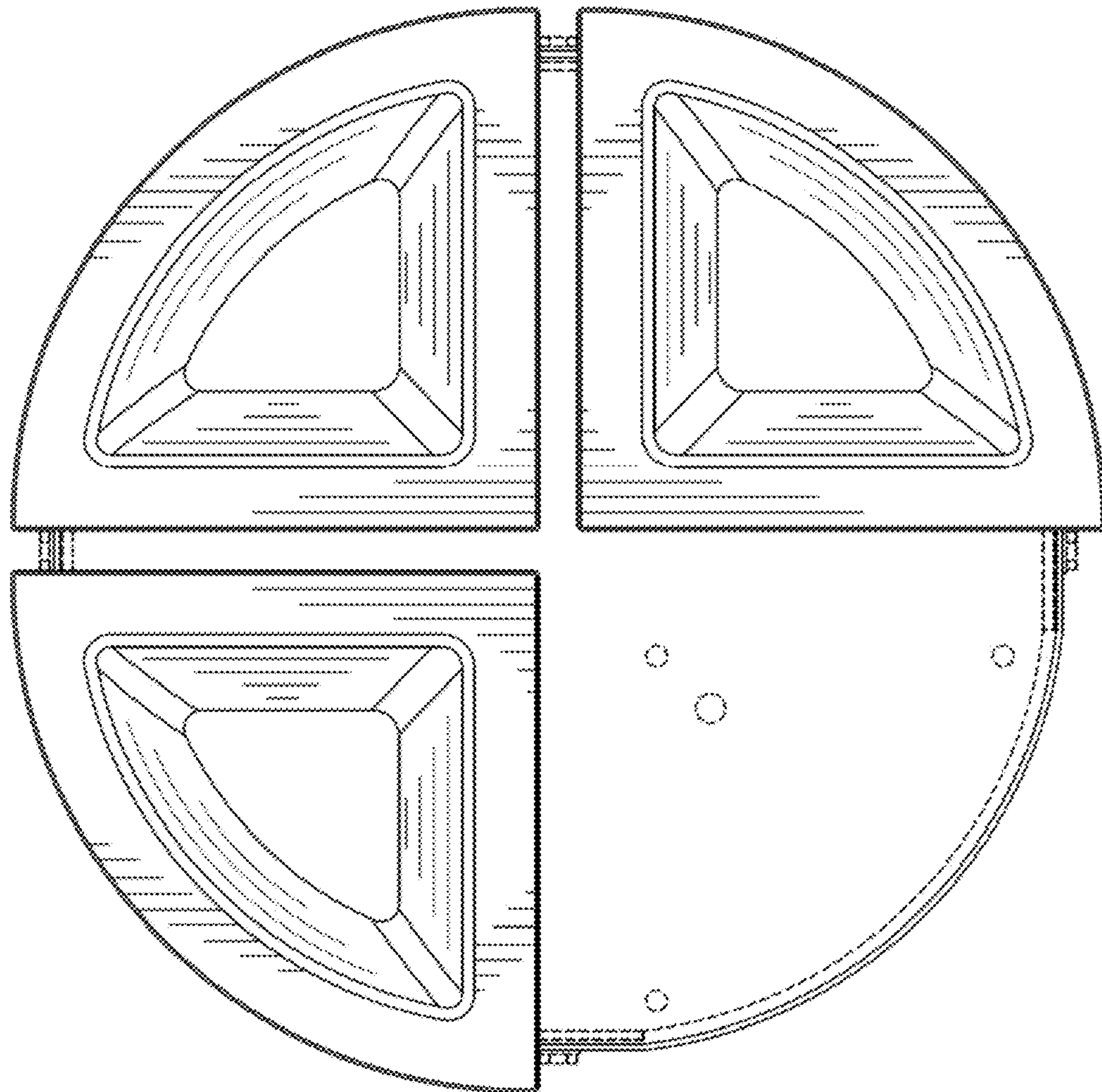


FIG. 20

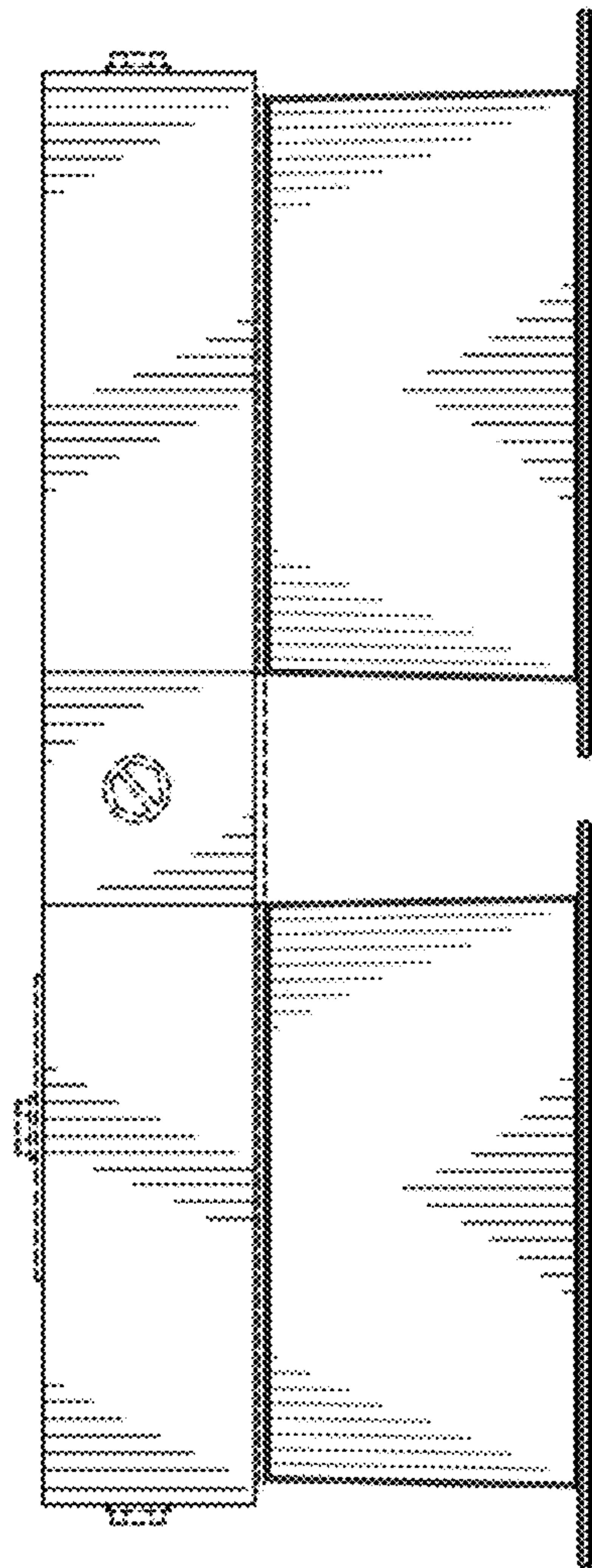


FIG. 21

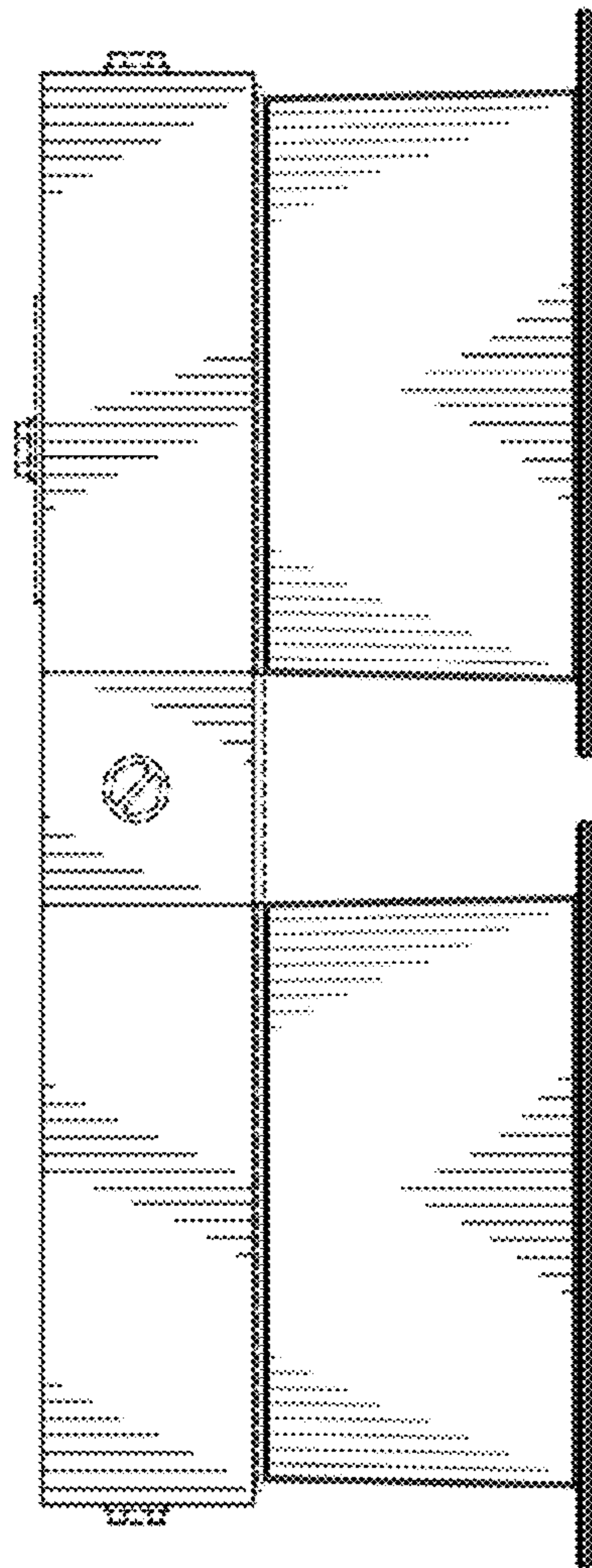


FIG. 22



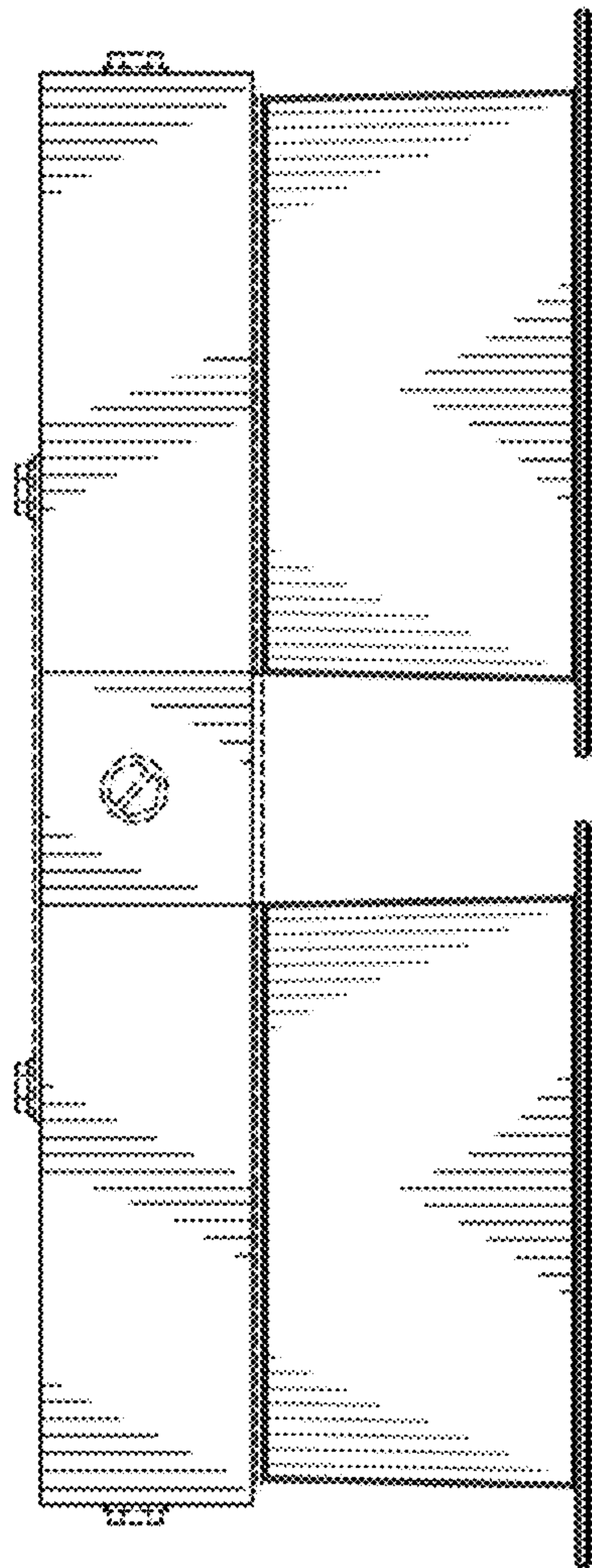


FIG. 23

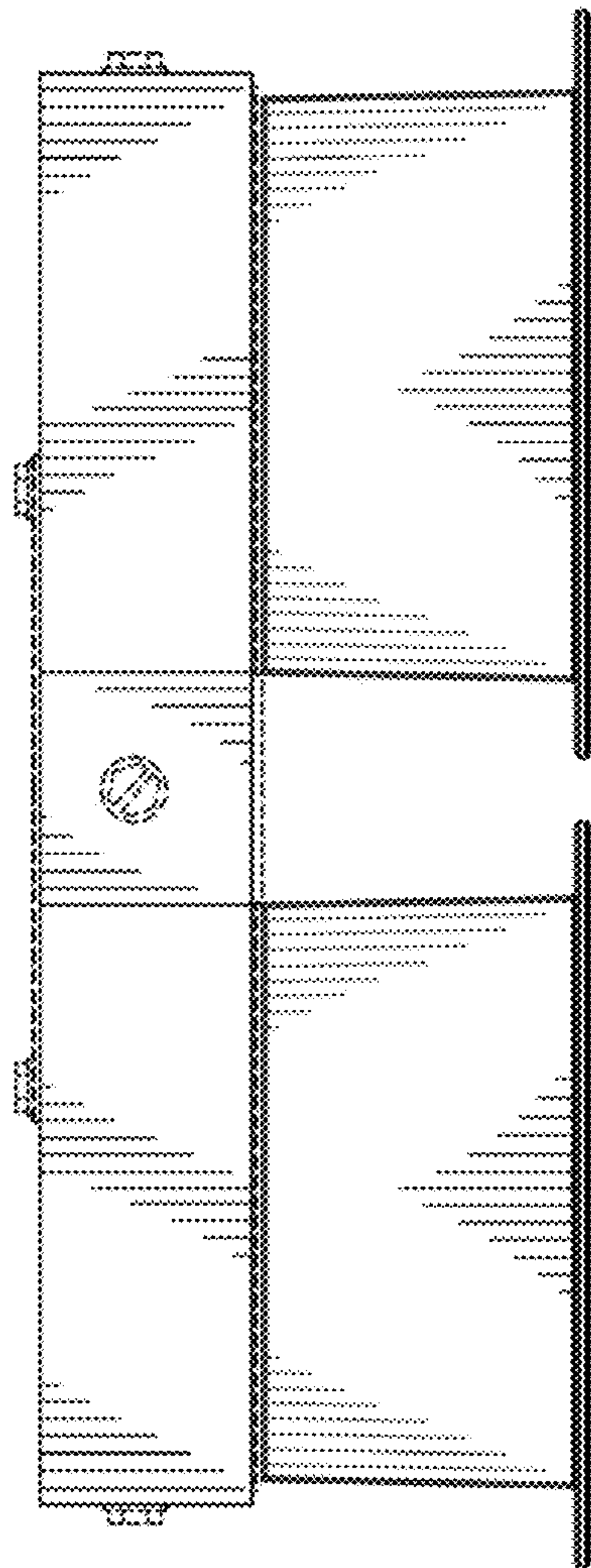


FIG. 24

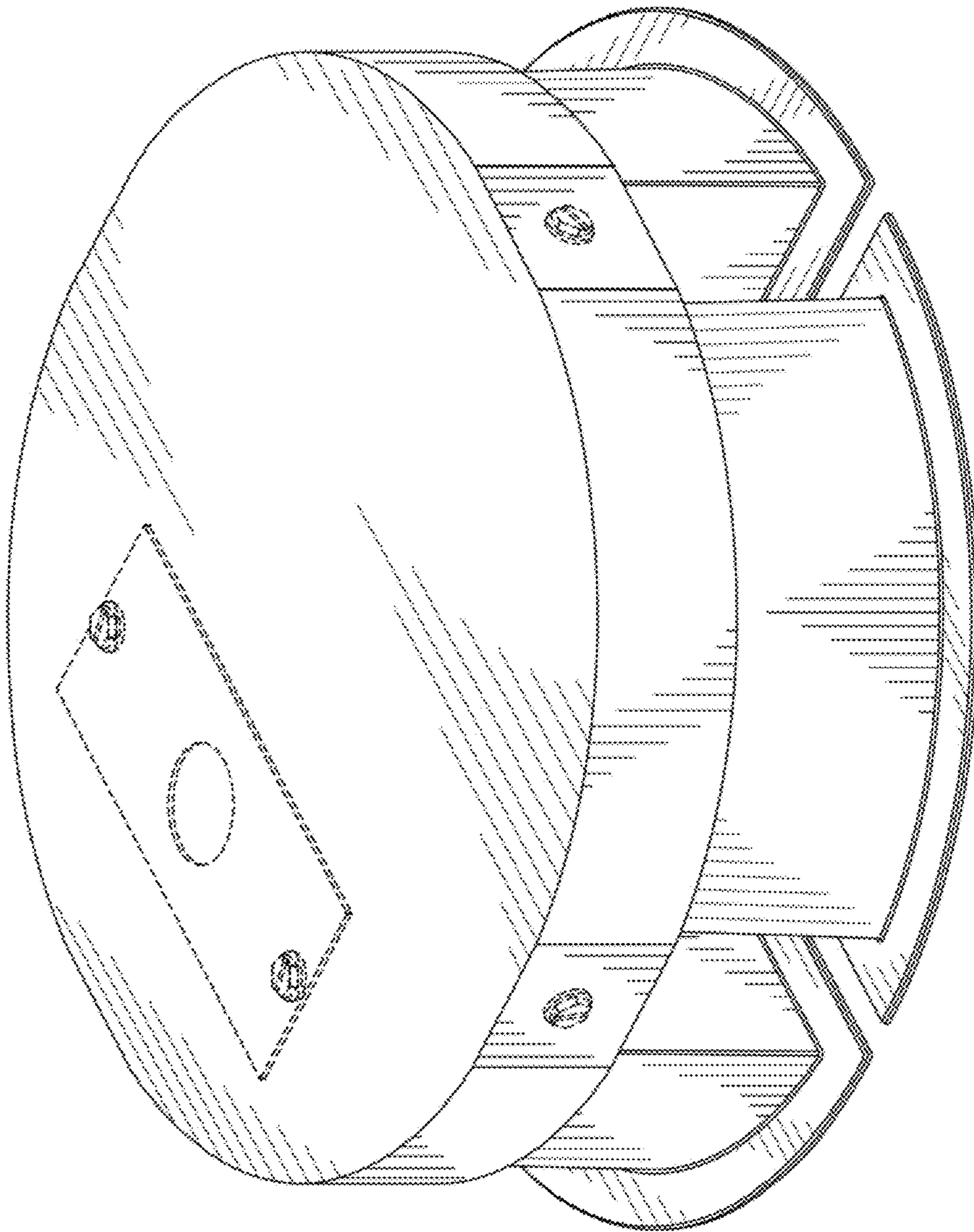


FIG. 25



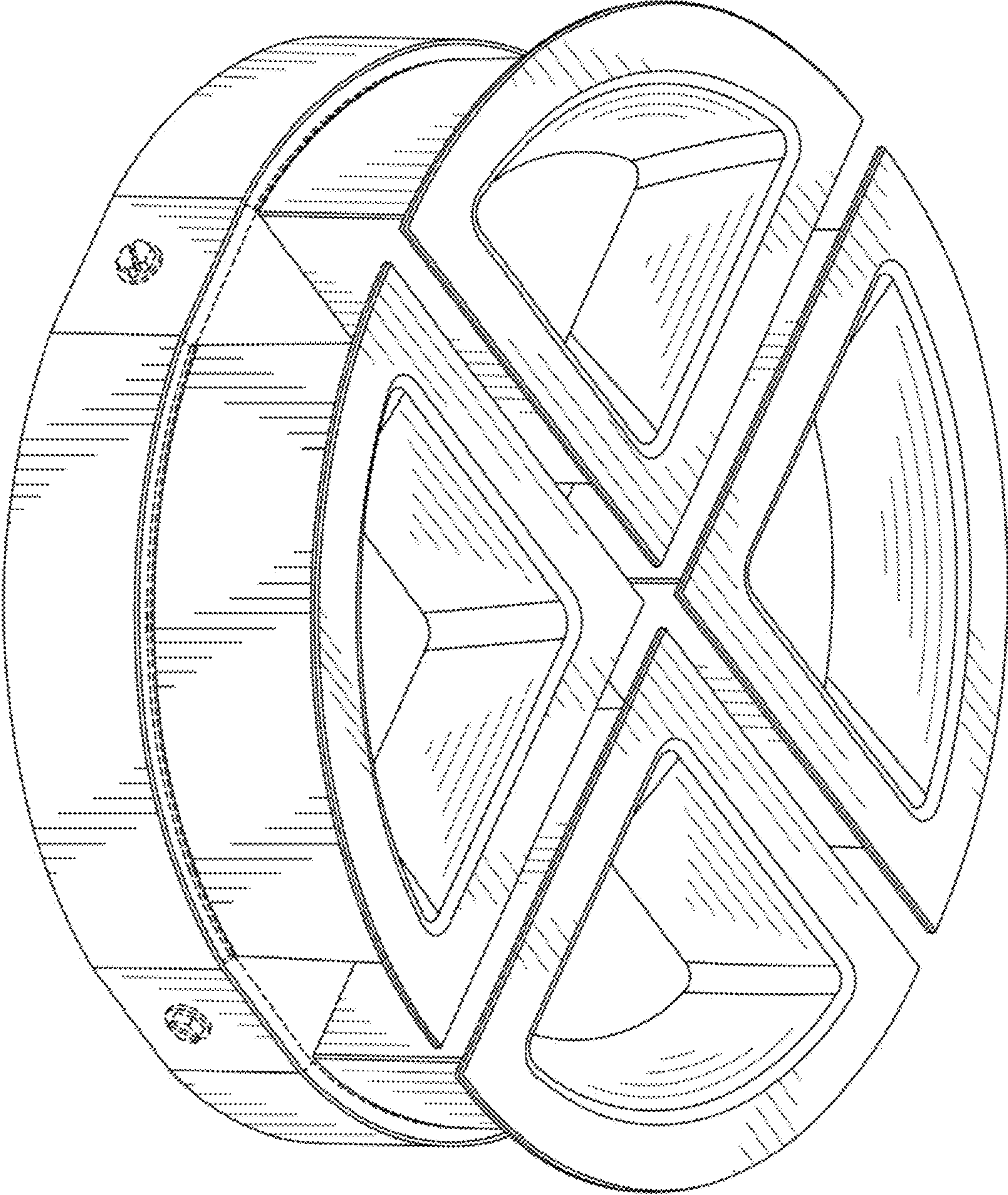


FIG. 26

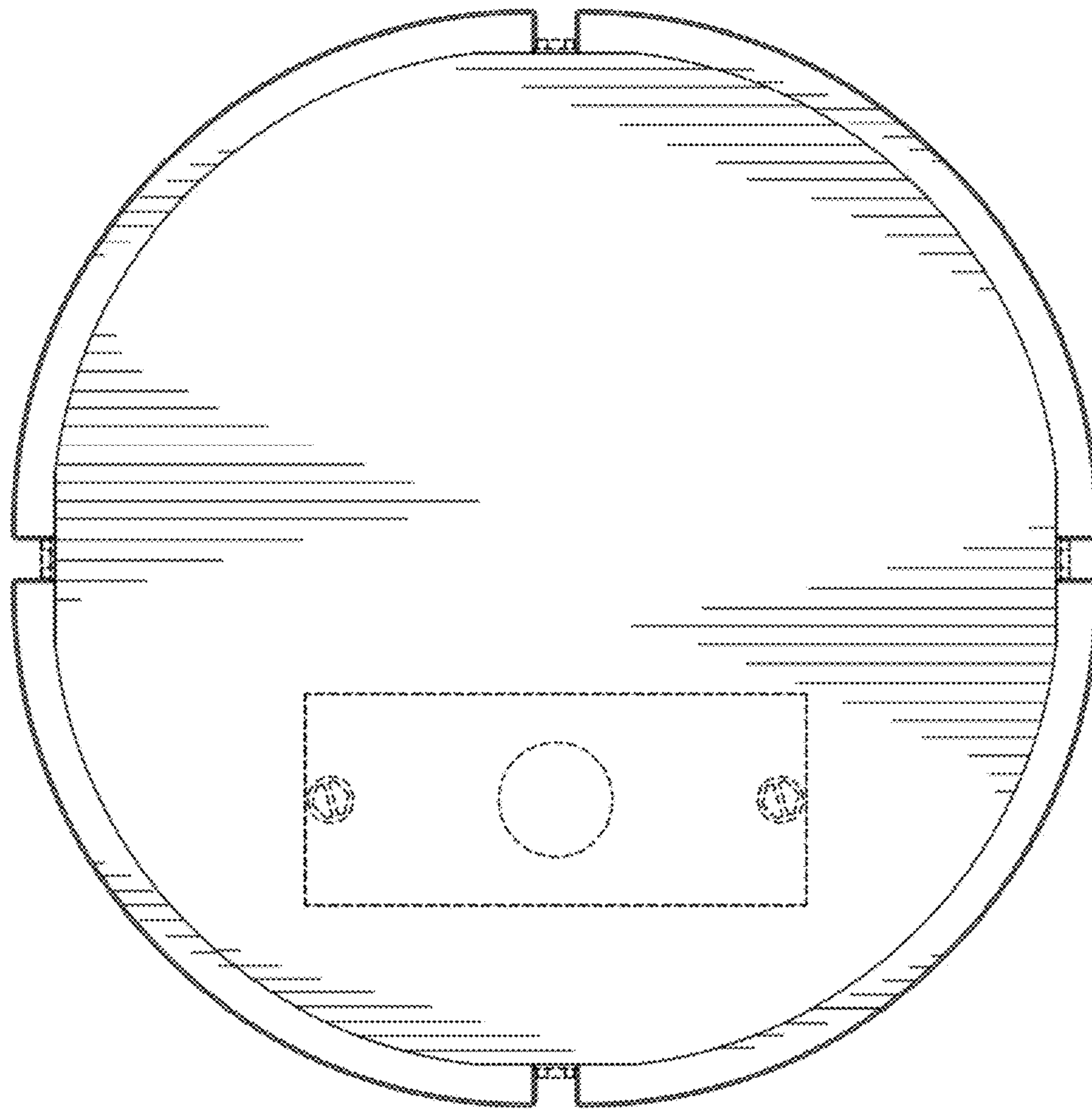


FIG. 27



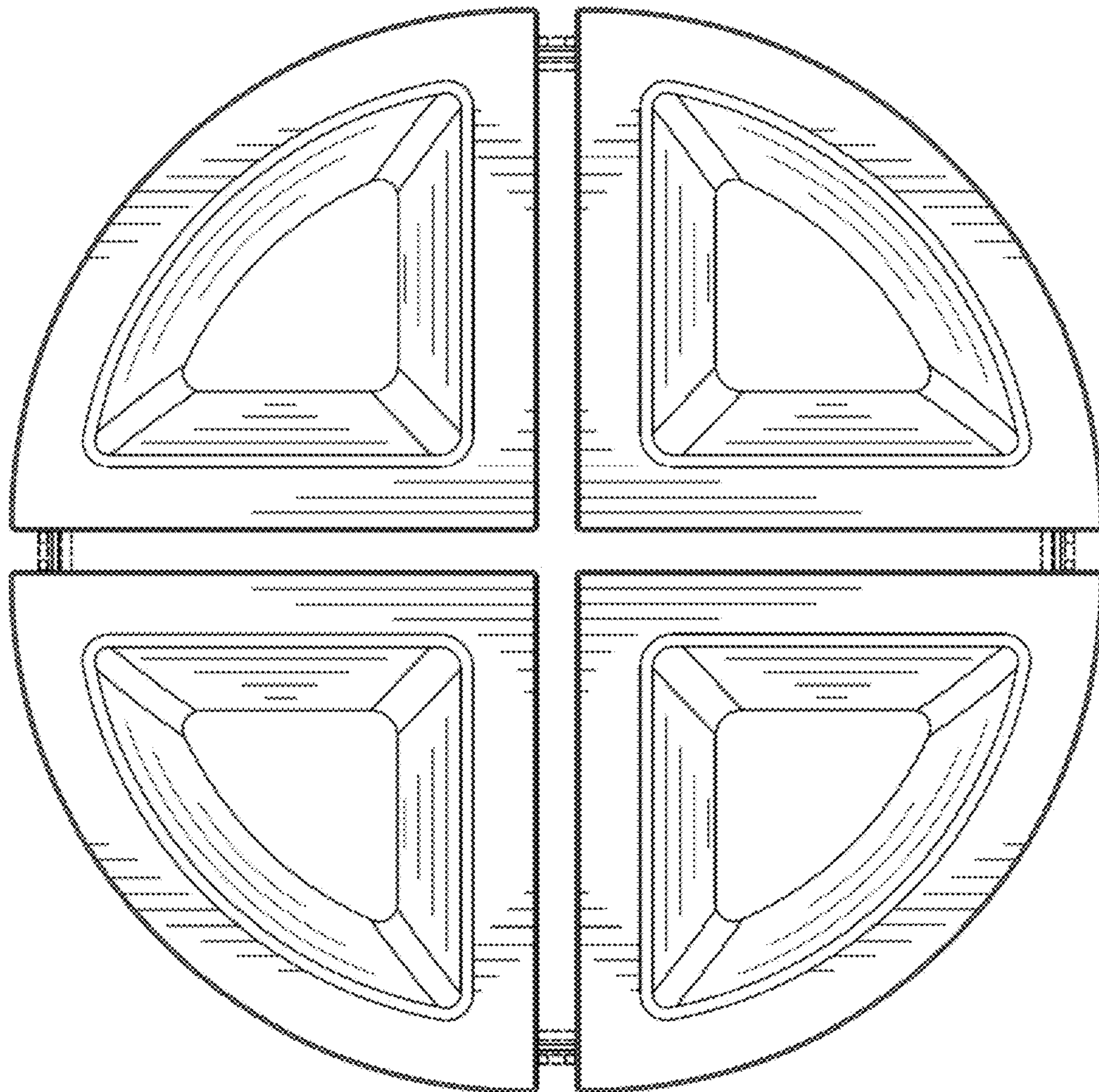


FIG. 28

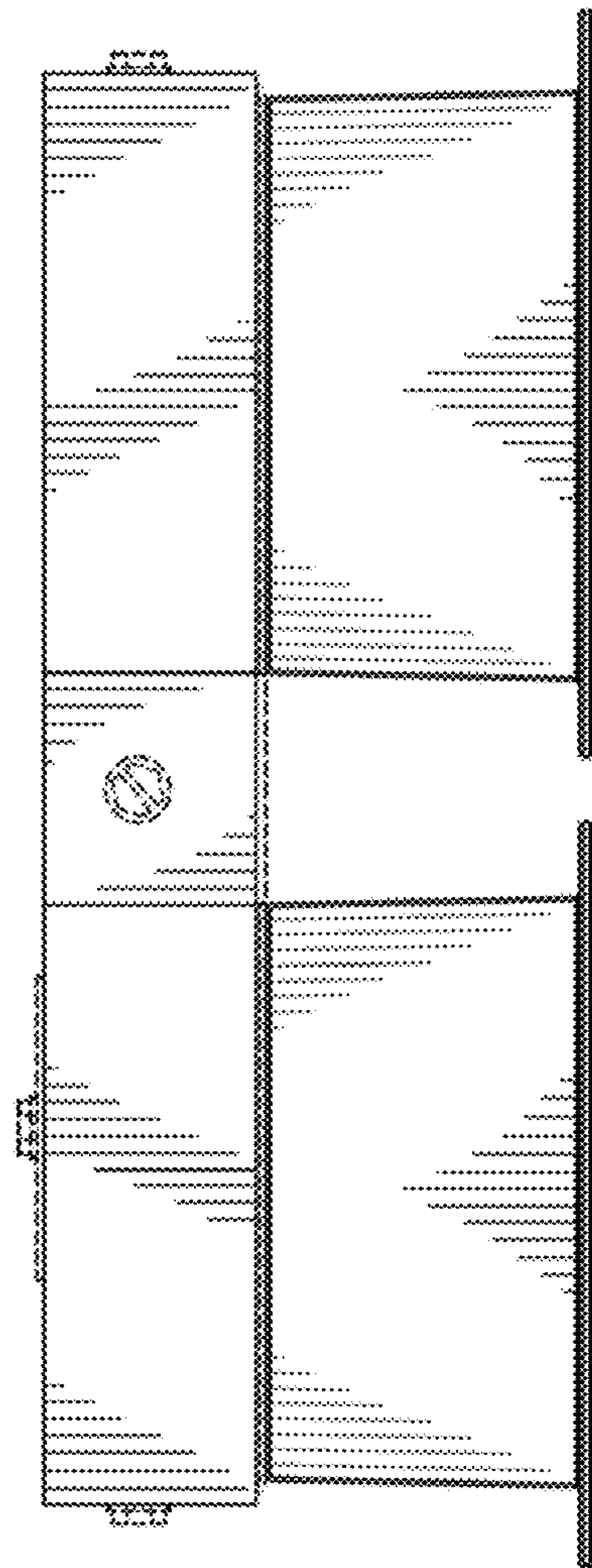


FIG. 29

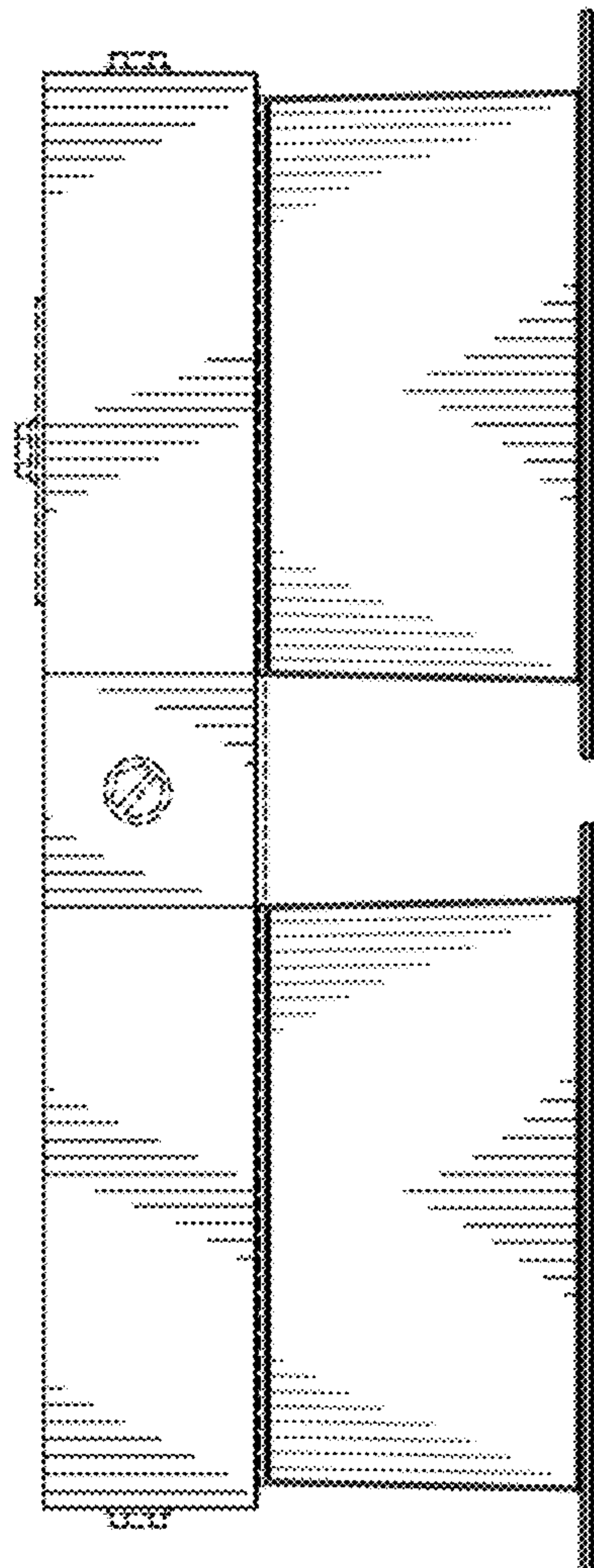


FIG. 30

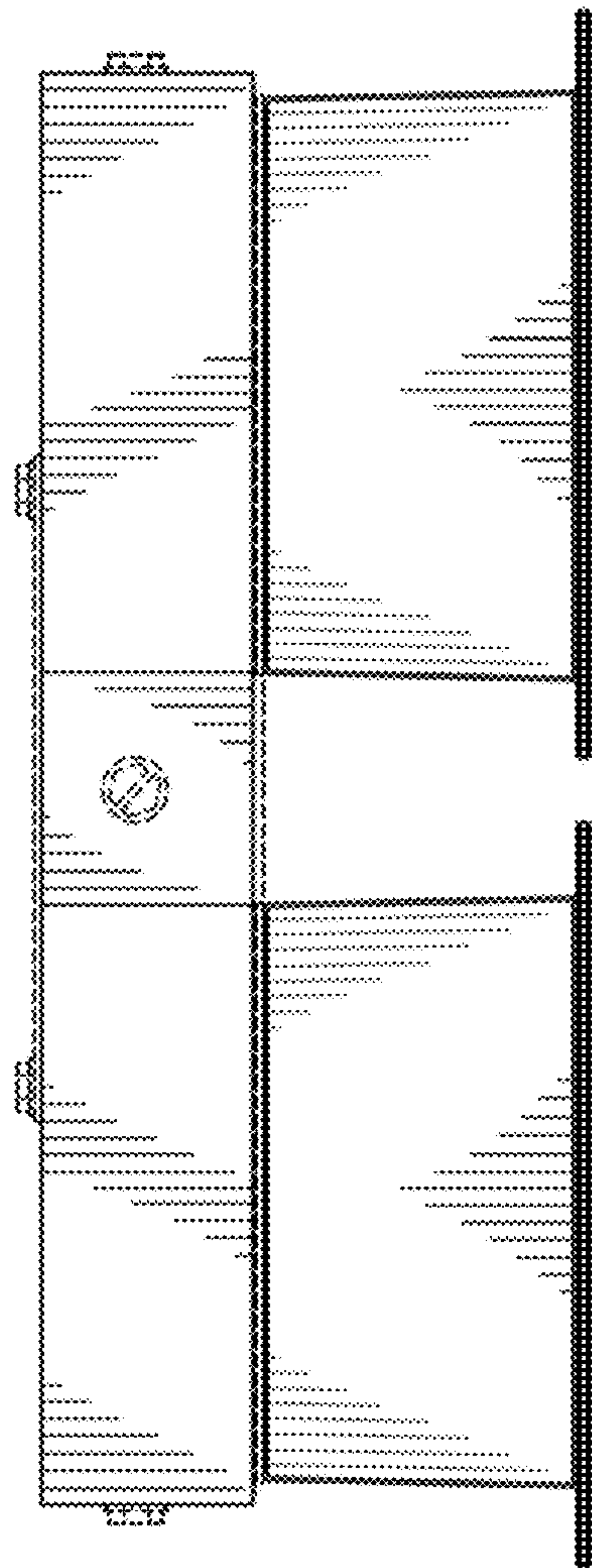


FIG. 31

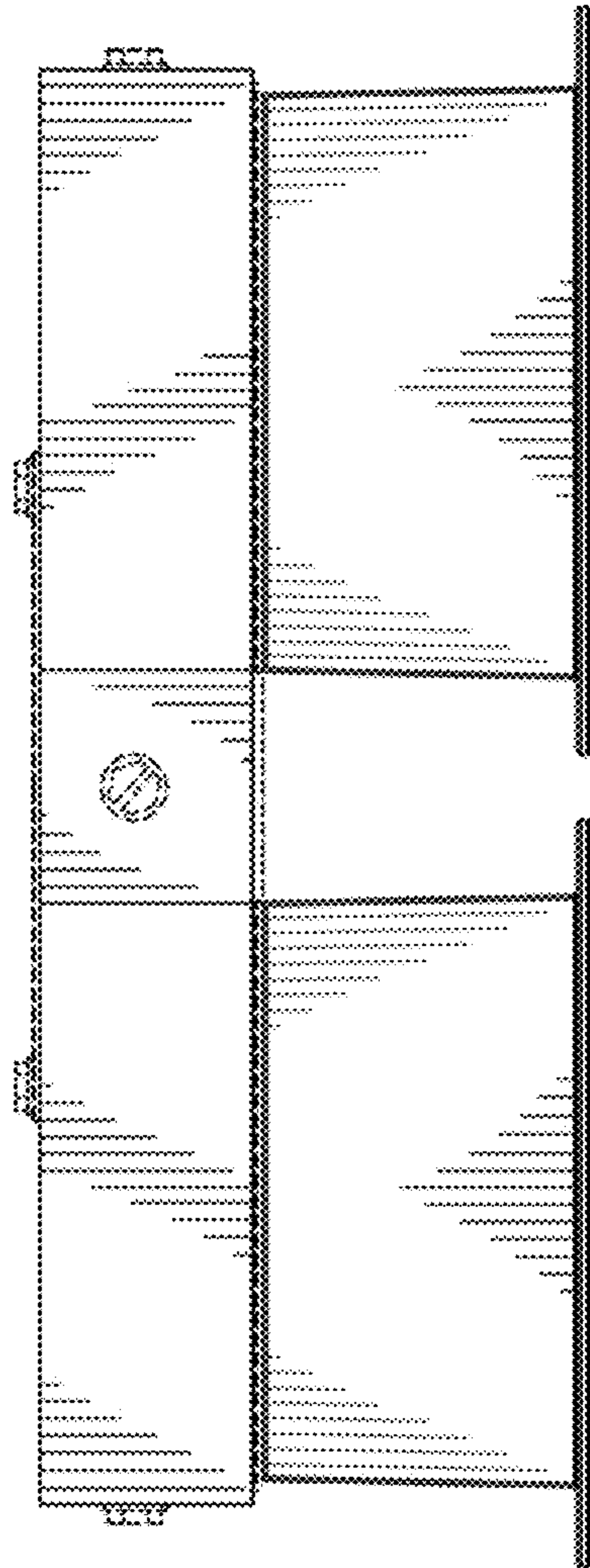


FIG. 32