



US00D885648S

(12) **United States Design Patent** (10) **Patent No.:** **US D885,648 S**  
**Zeng** (45) **Date of Patent:** **\*\* May 26, 2020**

(54) **LAMP FITTING ASSEMBLY**  
(71) Applicant: **Optosun LED Technology Company Limited, Zhongshan (CN)**  
(72) Inventor: **Xiaoqing Zeng, Zhongshan (CN)**  
(\*\*) Term: **15 Years**  
(21) Appl. No.: **29/663,070**  
(22) Filed: **Sep. 12, 2018**  
(51) **LOC (12) Cl.** ..... **26-05**  
(52) **U.S. Cl.**  
USPC ..... **D26/138**  
(58) **Field of Classification Search**  
USPC ..... D26/138, 28, 37-50, 35, 36.61, 62, 63,  
D26/64, 65, 66, 71, 72, 73, 74, 75, 87,  
D26/89, 76, 78, 79  
CPC ..... F21L 2003/00; F21L 4/00; F21L 4/005;  
F21L 4/02; F21L 4/025; F21L 4/027  
See application file for complete search history.

(56) **References Cited**  
**U.S. PATENT DOCUMENTS**  
D361,144 S \* 8/1995 Loiselet ..... D26/44  
D583,504 S \* 12/2008 Fujiwara ..... D26/138  
D632,839 S \* 2/2011 Kim ..... D26/138  
D634,885 S \* 3/2011 Kim ..... D26/138  
D634,886 S \* 3/2011 Kim ..... D26/138  
D636,116 S \* 4/2011 Kim ..... D26/138  
D636,118 S \* 4/2011 Kim ..... D26/138  
D648,061 S \* 11/2011 Yamamoto ..... D26/138  
D702,866 S \* 4/2014 Blincoe ..... D26/63  
D741,538 S \* 10/2015 Ghasabi ..... D26/138  
D785,852 S \* 5/2017 Rashidi Doust ..... D26/138  
D796,733 S \* 9/2017 LaDuca ..... D26/138  
D799,105 S \* 10/2017 Eder ..... D26/138  
D800,957 S \* 10/2017 Eder ..... D26/138

(Continued)

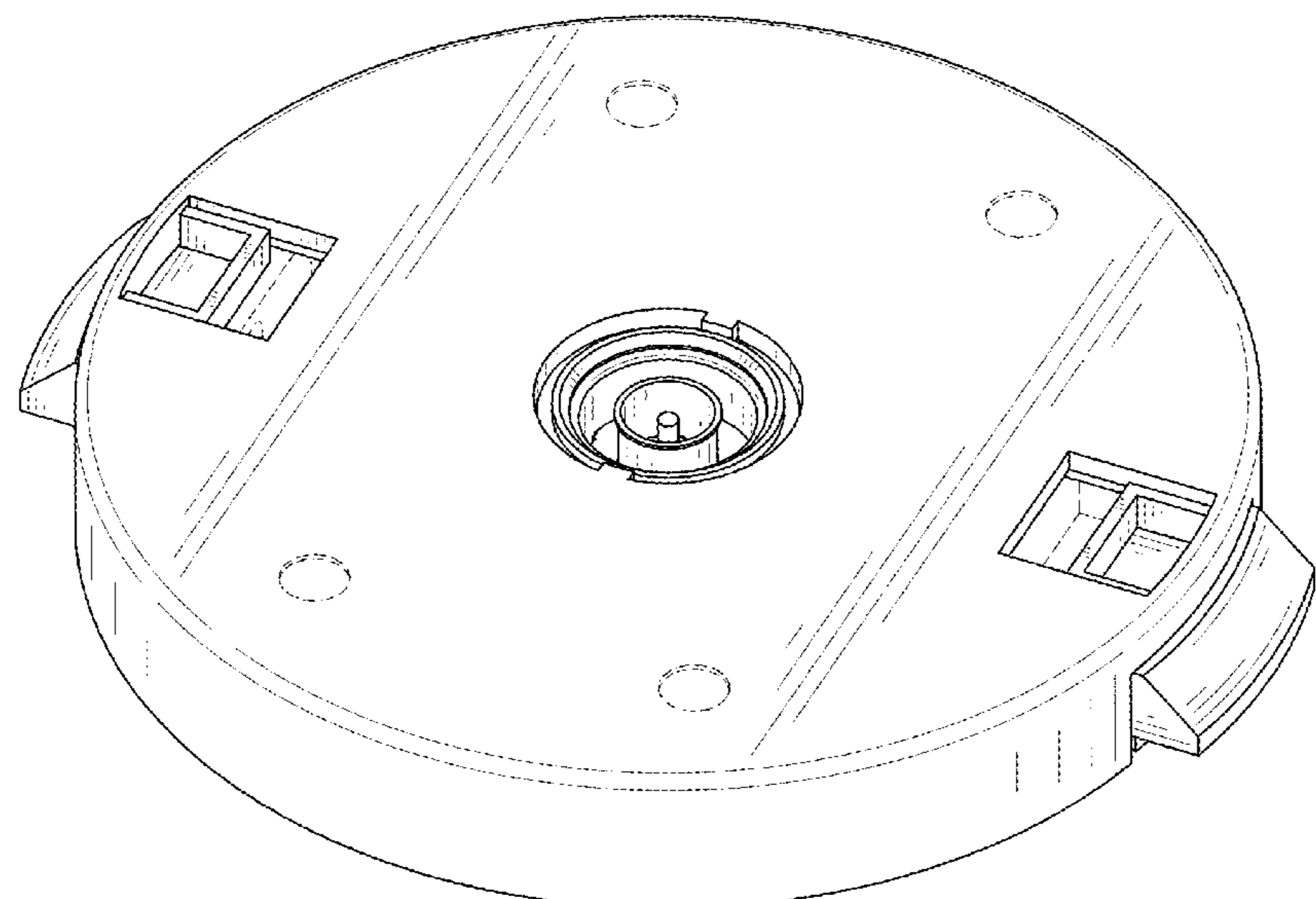
Primary Examiner — Mark A Goodwin

Assistant Examiner — Benjamin M Weeks  
(74) Attorney, Agent, or Firm — HYIP  
(57) **CLAIM**  
The ornamental design for a lamp fitting assembly, as shown and described.

**DESCRIPTION**

FIG. 1 is a first perspective view showing a first part of the lamp fitting assembly showing my new design;  
FIG. 2 is a second perspective view of the first part of the lamp fitting assembly;  
FIG. 3 is a front view of the first part of the lamp fitting assembly;  
FIG. 4 is a left side view of the first part of the lamp fitting assembly;  
FIG. 5 is a top plan view of the first part of the lamp fitting assembly;  
FIG. 6 is a bottom plan view of the first part of the lamp fitting assembly;  
FIG. 7 is a first perspective view showing a second part of the lamp fitting assembly showing my new design;  
FIG. 8 is a second perspective view showing a second part of the lamp fitting assembly showing my new design;  
FIG. 9 is a front view of the second part of the lamp fitting assembly;  
FIG. 10 is a left side view of the second part of the lamp fitting assembly;  
FIG. 11 is a right side view of the second part of the lamp fitting assembly;  
FIG. 12 is a bottom plan view of the second part of the lamp fitting assembly;  
FIG. 13 is a top plan view of the second part of the lamp fitting assembly;  
FIG. 14 is a first perspective view showing the first part coupling with the second part of the lamp fitting assembly; and,  
FIG. 15 is a second perspective view showing the first part coupling with the second part of the lamp fitting assembly.

**1 Claim, 15 Drawing Sheets**



(56)

**References Cited**

U.S. PATENT DOCUMENTS

D824,089	S	*	7/2018	Dupras	.....	D26/138
D827,915	S	*	9/2018	Wilson	.....	D26/138
D840,072	S	*	2/2019	Yuan	.....	D26/37
D847,414	S	*	4/2019	Danesh	.....	F21S 8/026
						D26/138
D851,795	S	*	6/2019	Van Egmond	.....	D26/37
10,443,792	B2	*	10/2019	Miller	.....	F21L 4/005

\* cited by examiner

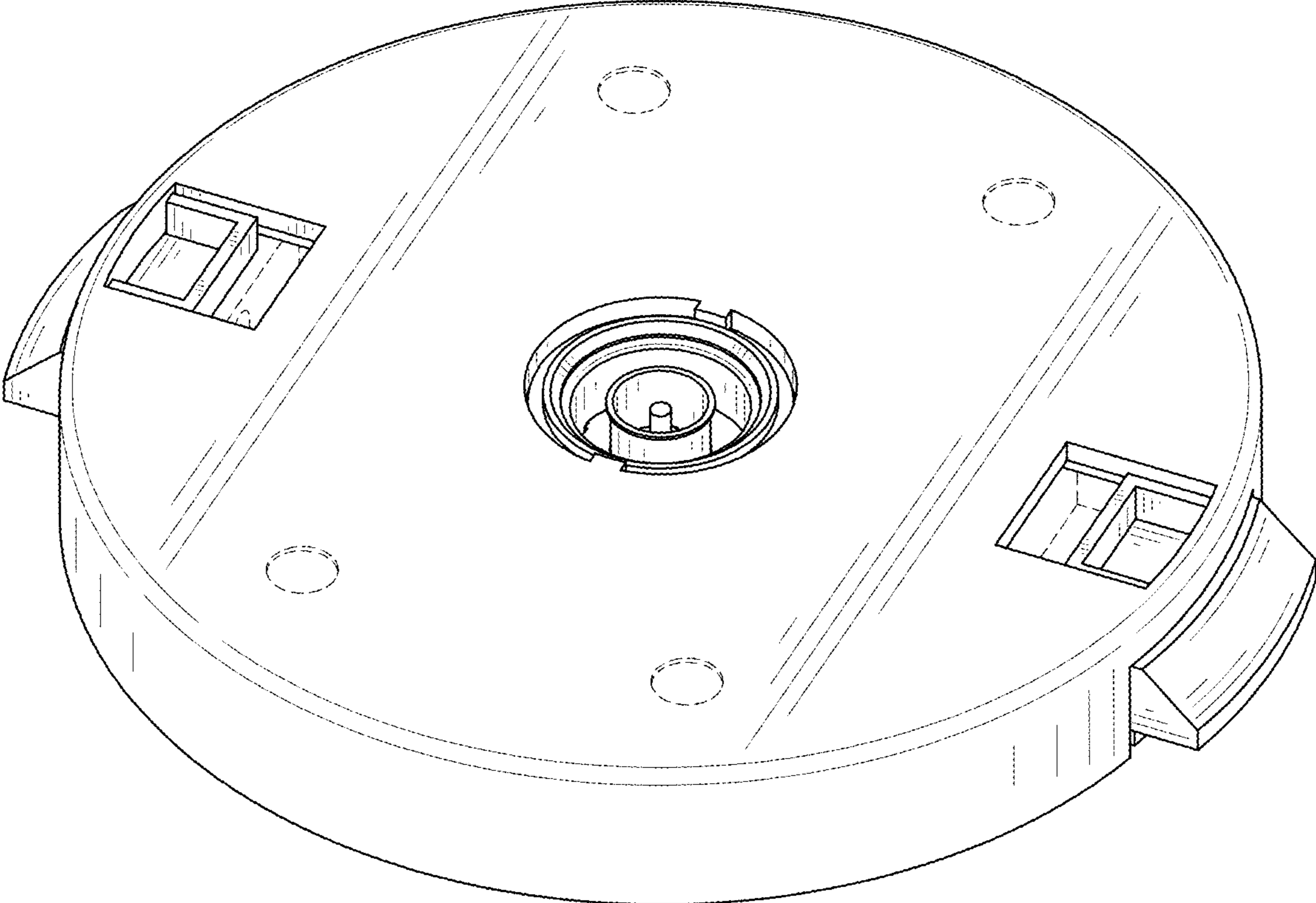


FIG. 1

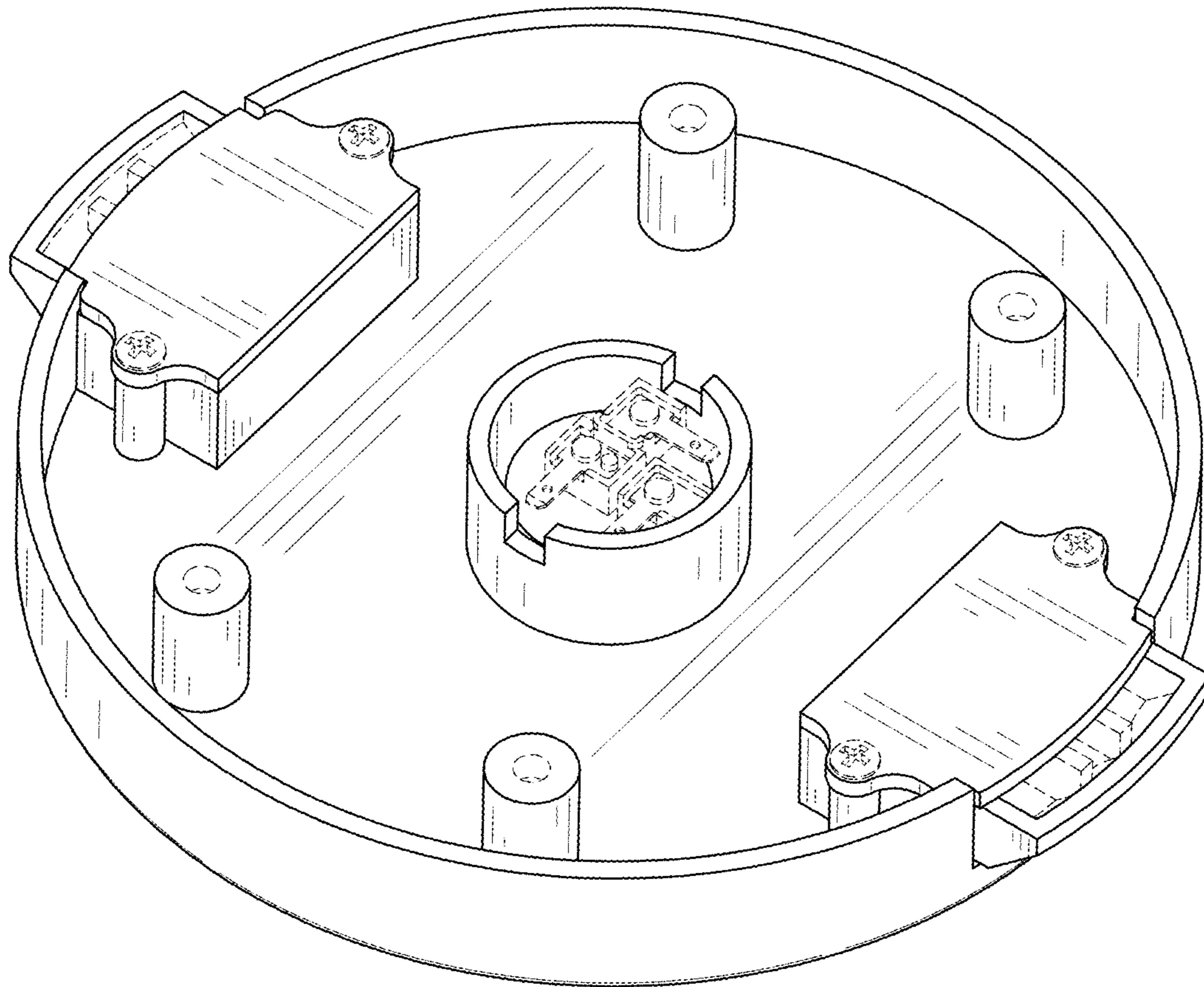


FIG. 2

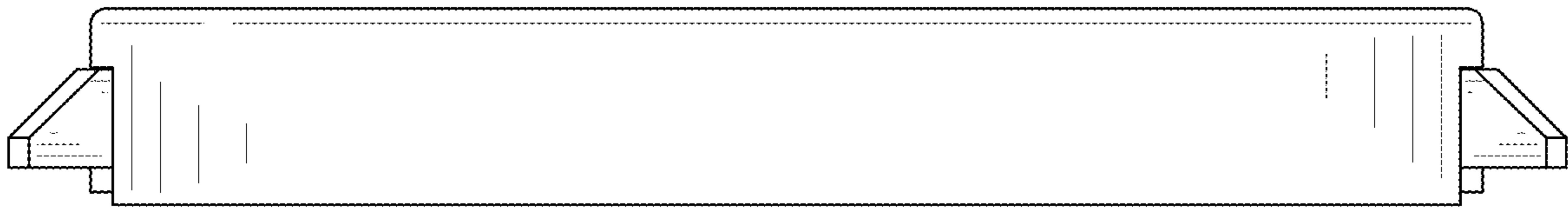


FIG. 3

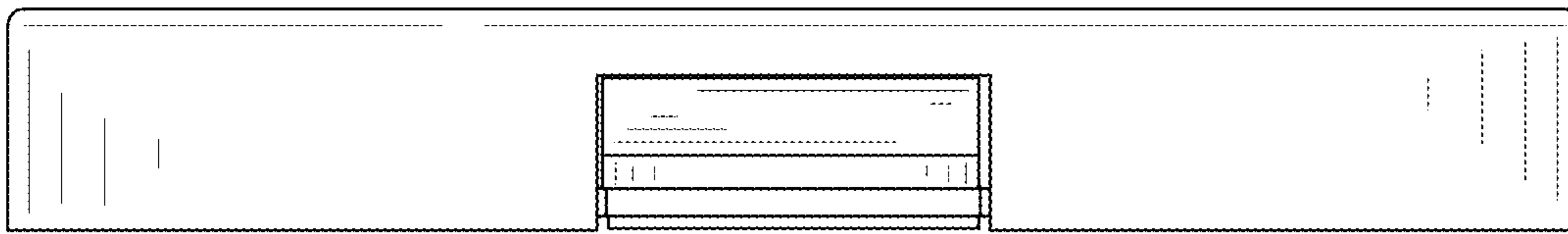


FIG. 4

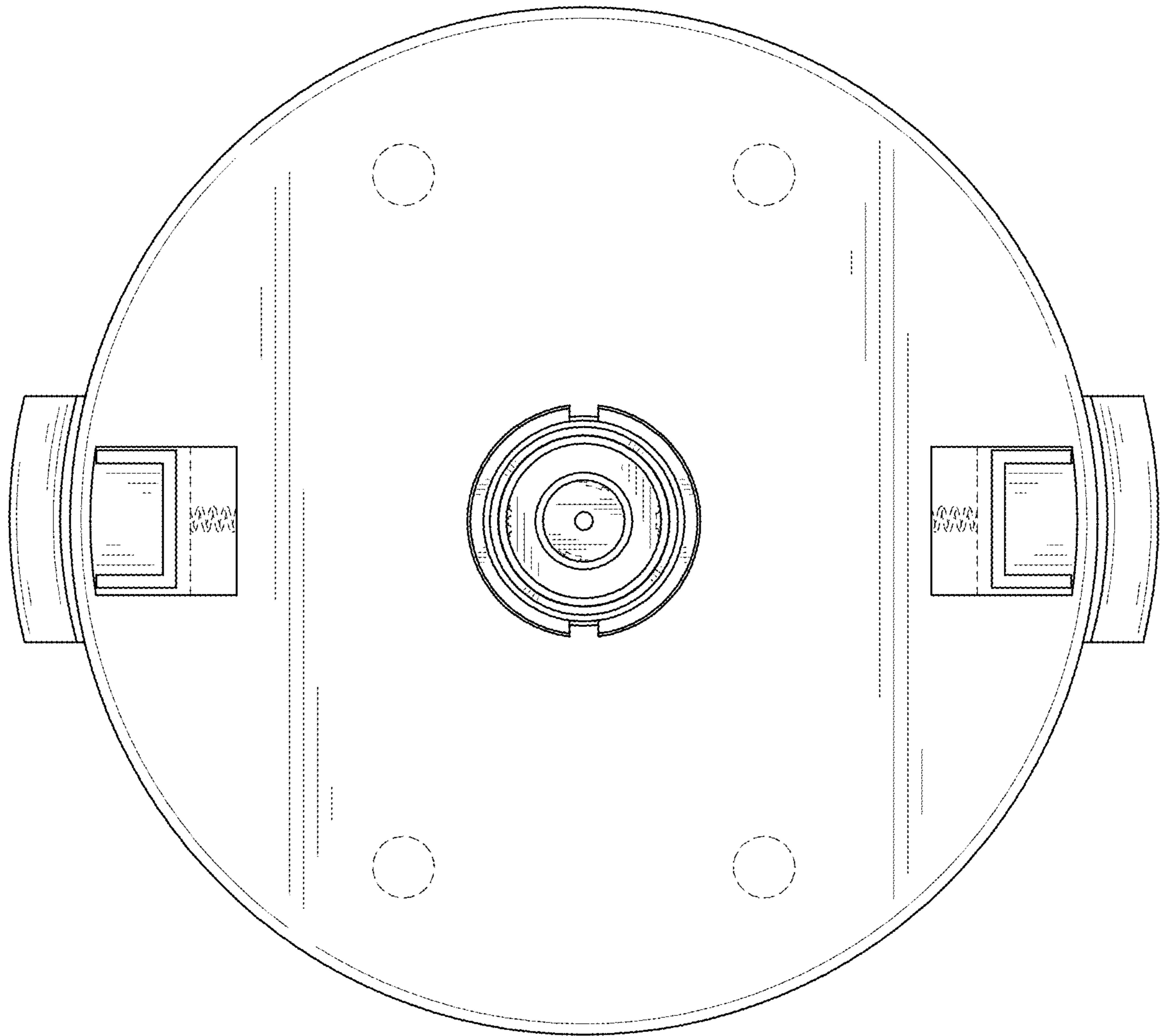


FIG. 5

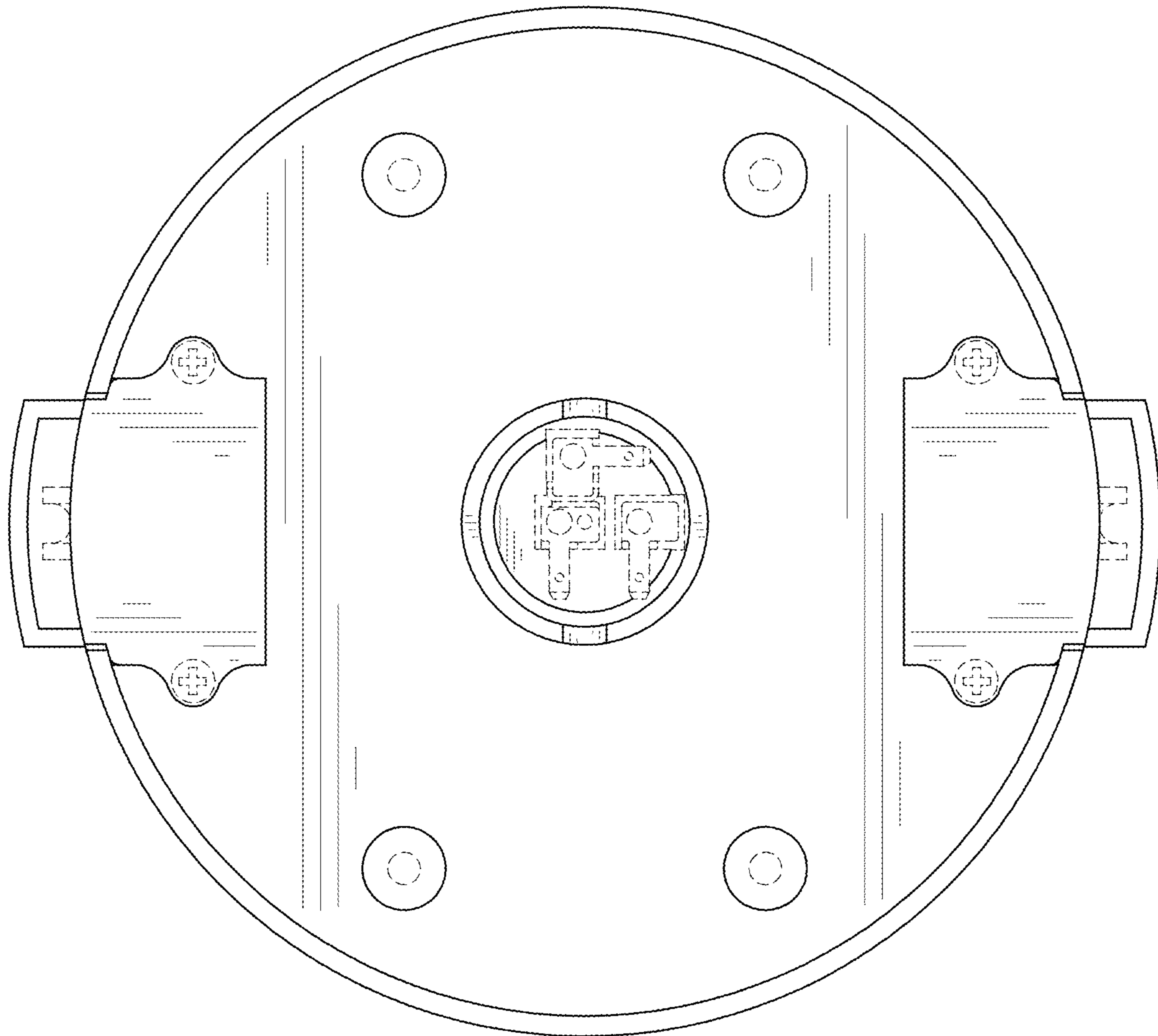


FIG. 6



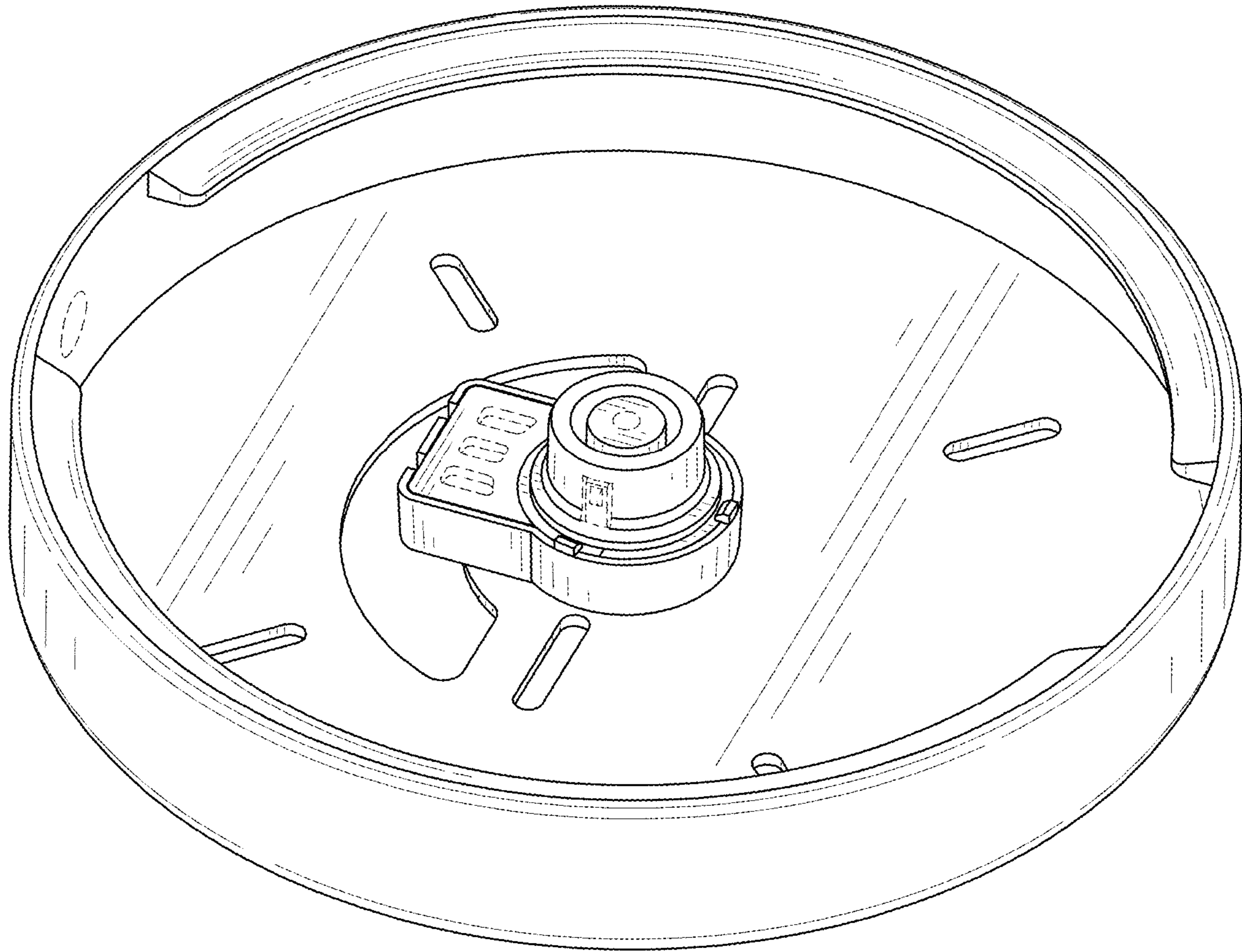


FIG. 7

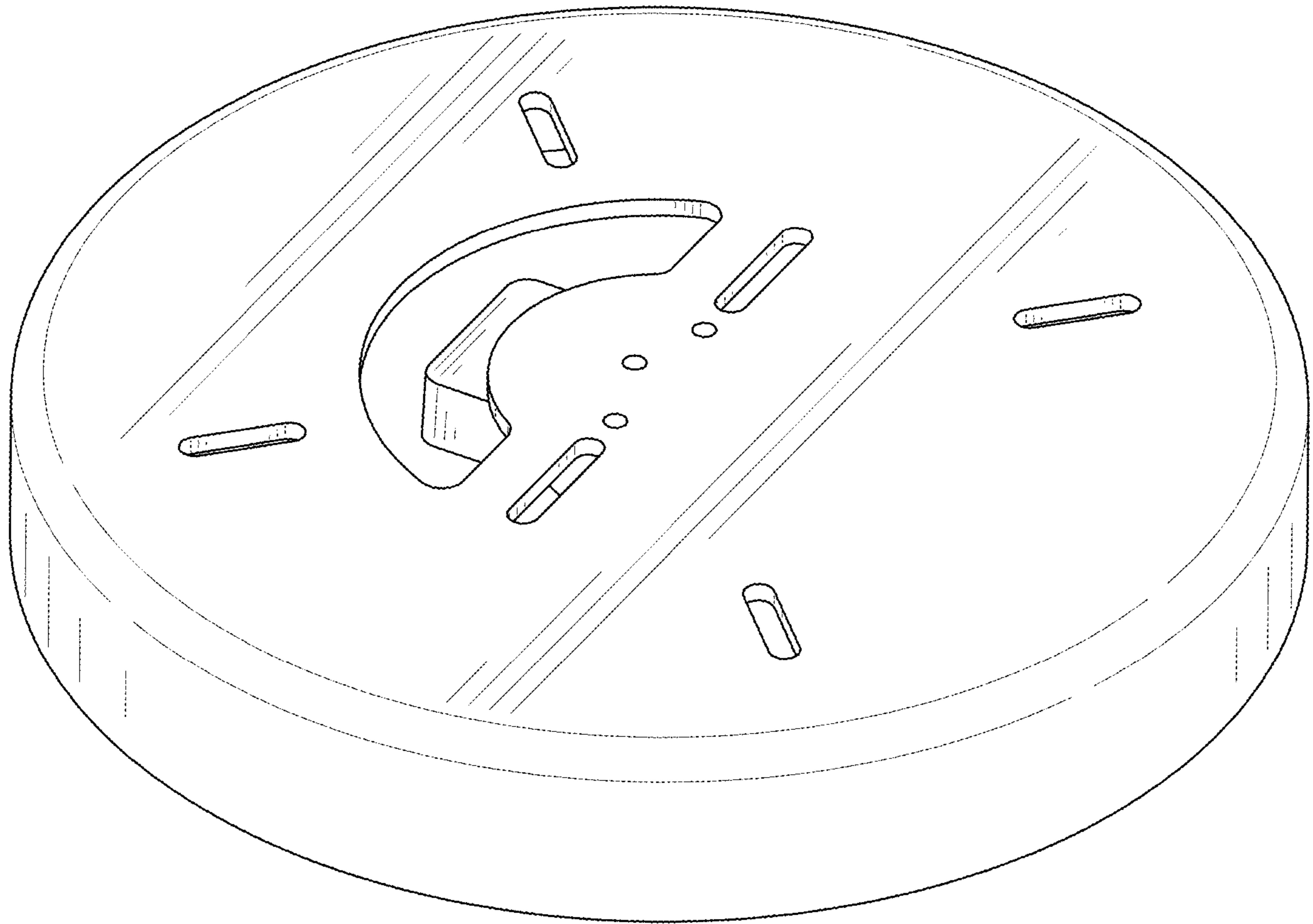


FIG. 8

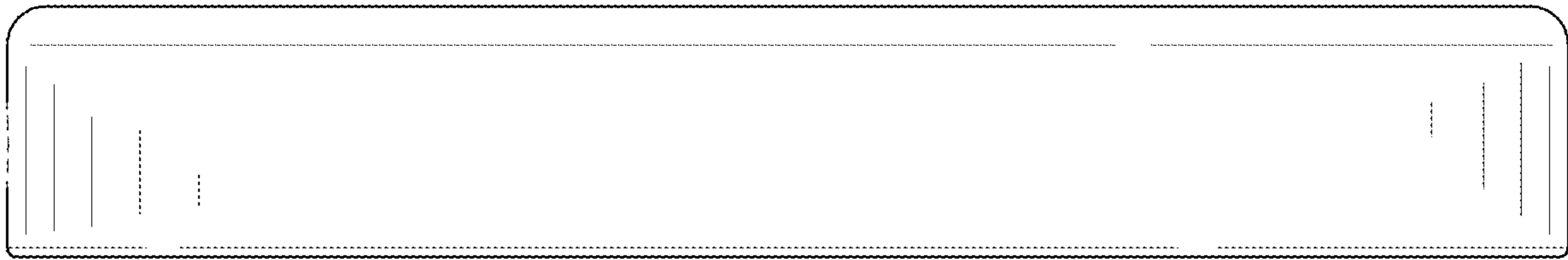


FIG. 9

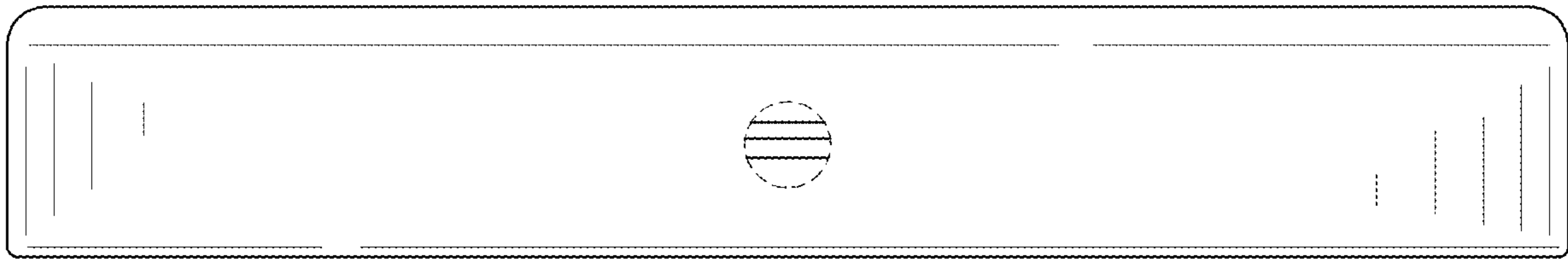


FIG. 10

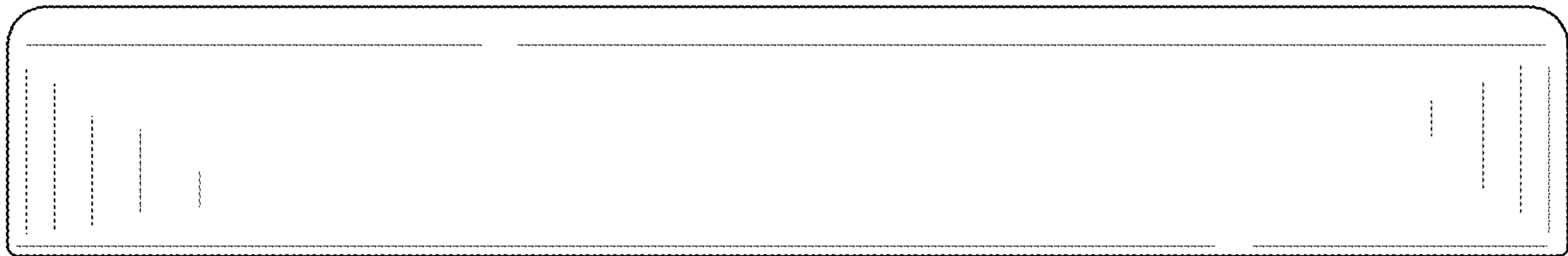


FIG. 11

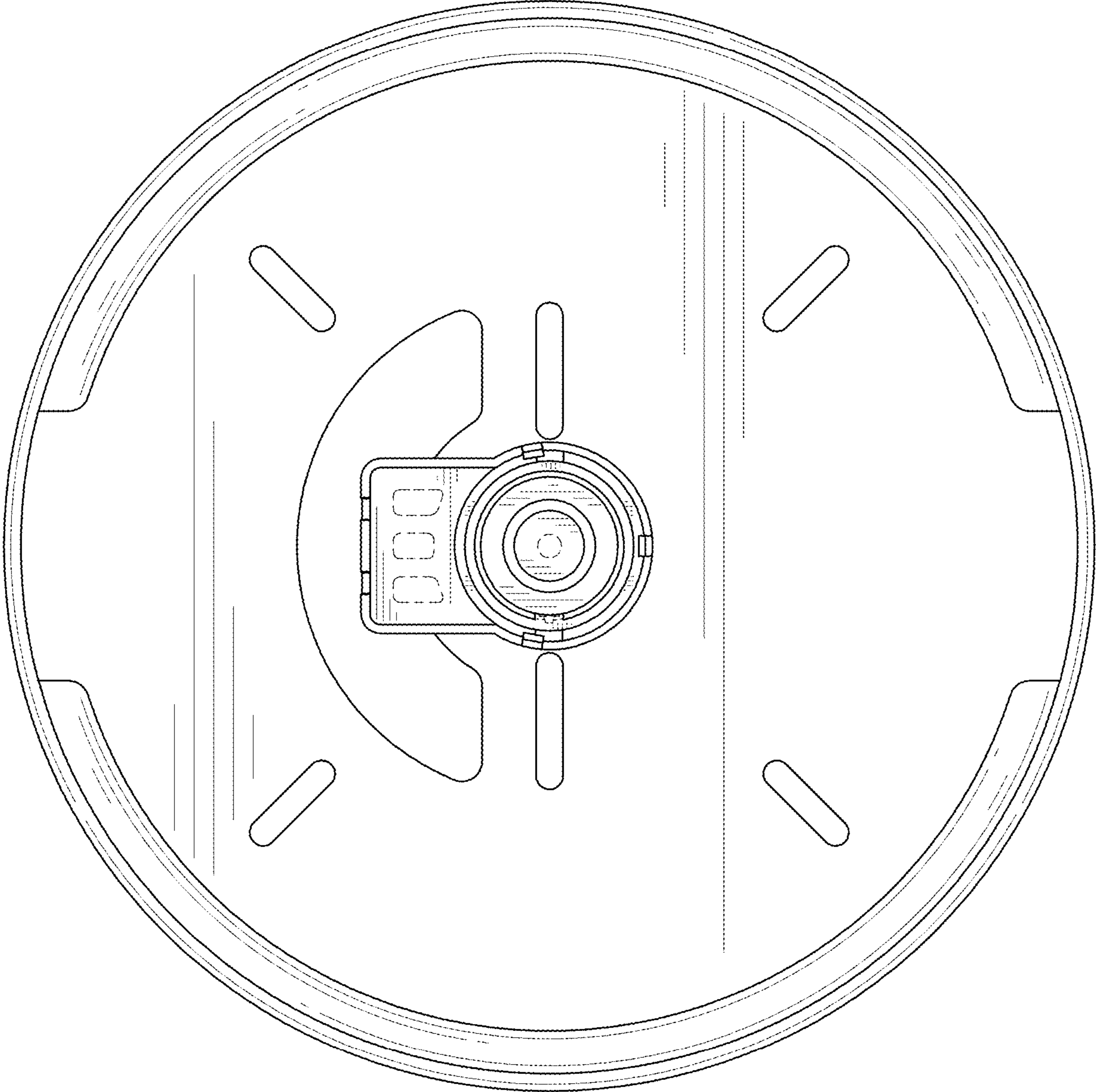


FIG. 12

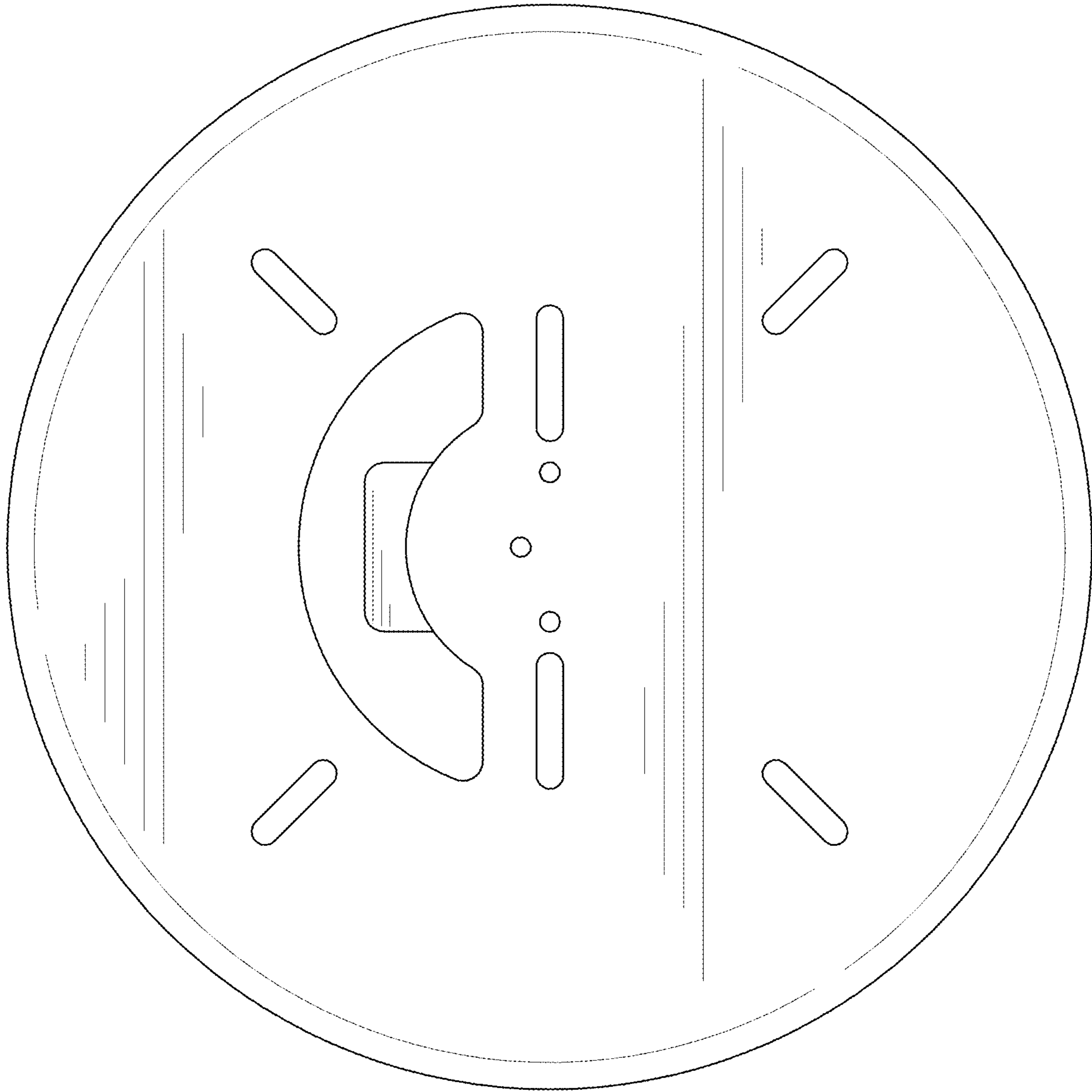


FIG. 13

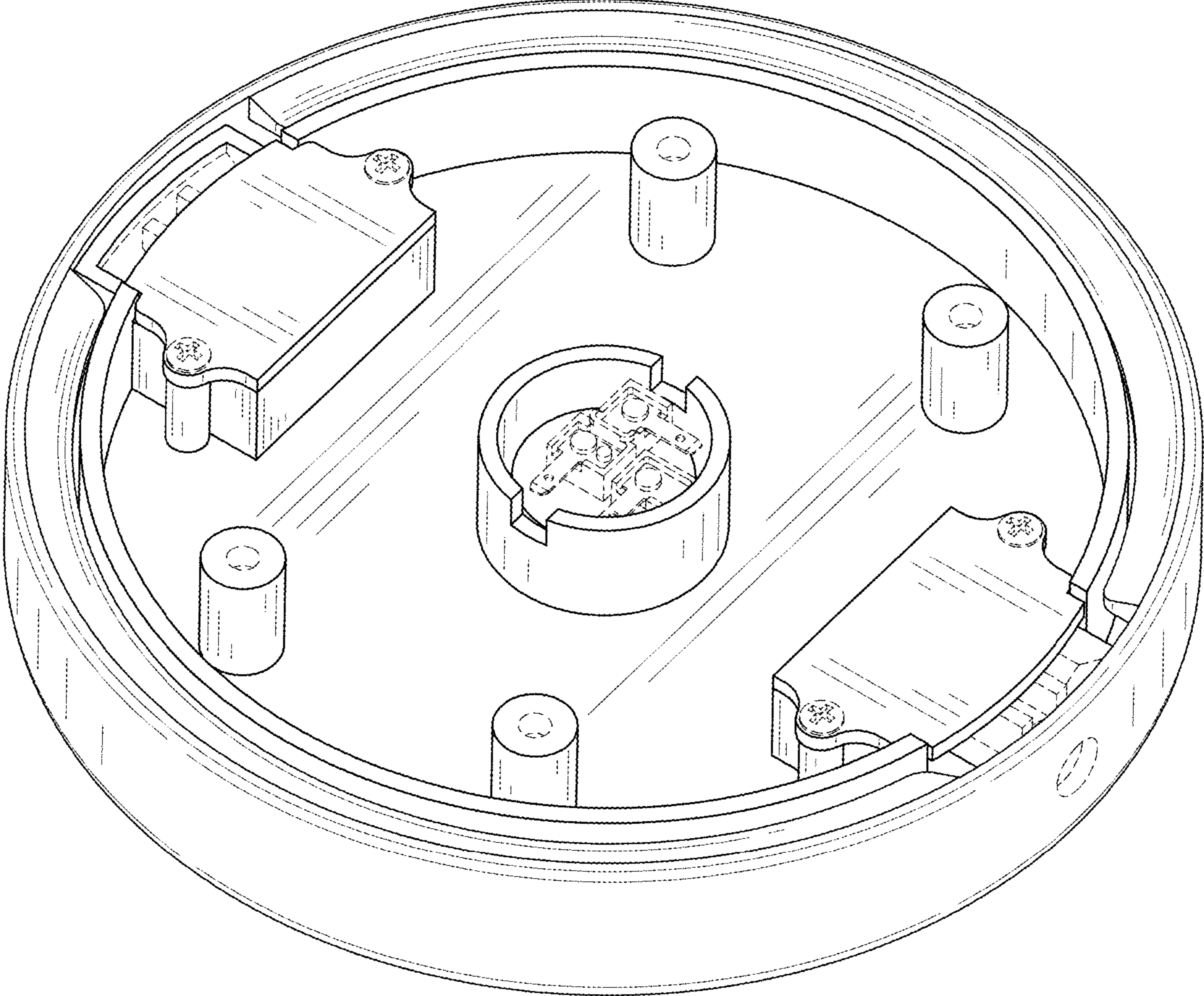


FIG. 14



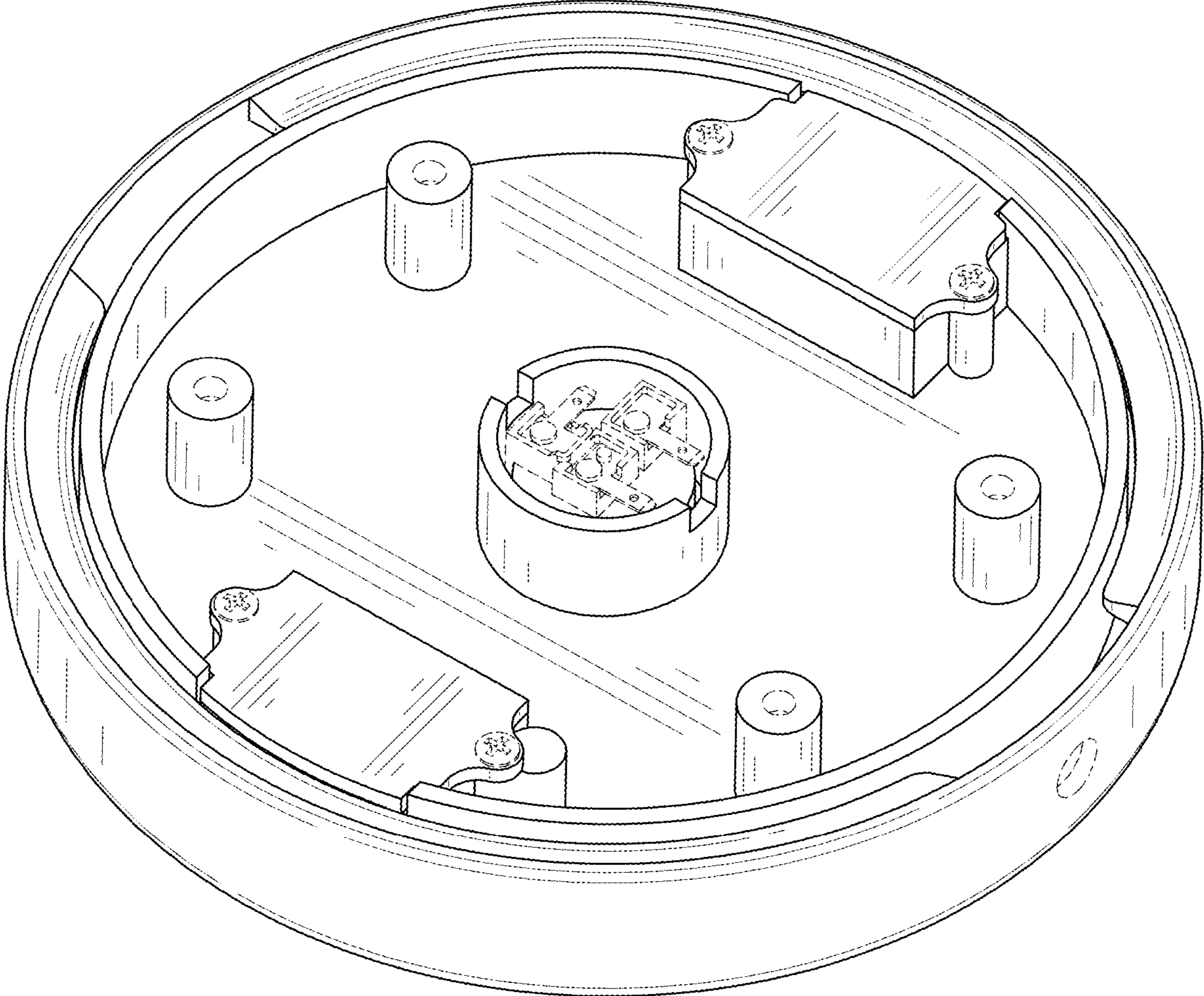


FIG. 15