



US00D885647S

(12) **United States Design Patent** (10) **Patent No.:** **US D885,647 S**
Haggar (45) **Date of Patent:** **** May 26, 2020**

(54) **CEILING FAN LIGHT CAGE** 3,838,269 A 9/1974 Bogdanovs
D300,373 S * 3/1989 Galipeau D26/67
(71) Applicant: **HUNTER FAN COMPANY,** D392,769 S 3/1998 Dolan
Memphis, TN (US) D428,982 S 8/2000 Oldenburg
D465,277 S 11/2002 Sonneman
(72) Inventor: **Alexander Jonathan Haggar,** D485,930 S * 1/2004 Chen D26/67
Memphis, TN (US) (Continued)

(73) Assignee: **Hunter Fan Company,** Memphis, TN (US)

(**) Term: **15 Years**

(21) Appl. No.: **29/695,709**

(22) Filed: **Jun. 21, 2019**

Related U.S. Application Data

(63) Continuation of application No. 29/641,197, filed on Mar. 20, 2018, now Pat. No. Des. 856,572.

(51) **LOC (12) Cl.** **26-05**

(52) **U.S. Cl.**
USPC **D26/119**

(58) **Field of Classification Search**
USPC D26/24, 59, 67, 105, 113, 118, 119, 120,
D26/123, 124, 128, 137, 138; D30/101,
D30/102, 104; D8/300, 301, 310;
362/185, 186, 235, 317, 351; D23/377,
D23/385, 411
CPC F21V 15/01; F21V 15/02; F21V 15/012;
F21V 3/00; F21V 3/02; F21V 3/049;
F21V 3/061; F21V 29/20; F21V 29/506;
F21V 29/507
See application file for complete search history.

(56) **References Cited**

U.S. PATENT DOCUMENTS

1,369,929 A 3/1921 Lumley
2,739,222 A * 3/1956 Gard B64F 1/20
362/410
3,723,724 A * 3/1973 Appleton F21V 25/12
362/394

OTHER PUBLICATIONS

<https://www.craftmade.com/exterior-lighting/fairmont>, Craftmade Fairmount Light Pendant, Model No. Z5821-88, accessed Sep. 21, 2017.

(Continued)

Primary Examiner — Wan Laymon
Assistant Examiner — Clint A Samuel
(74) *Attorney, Agent, or Firm* — McGarry Bair PC

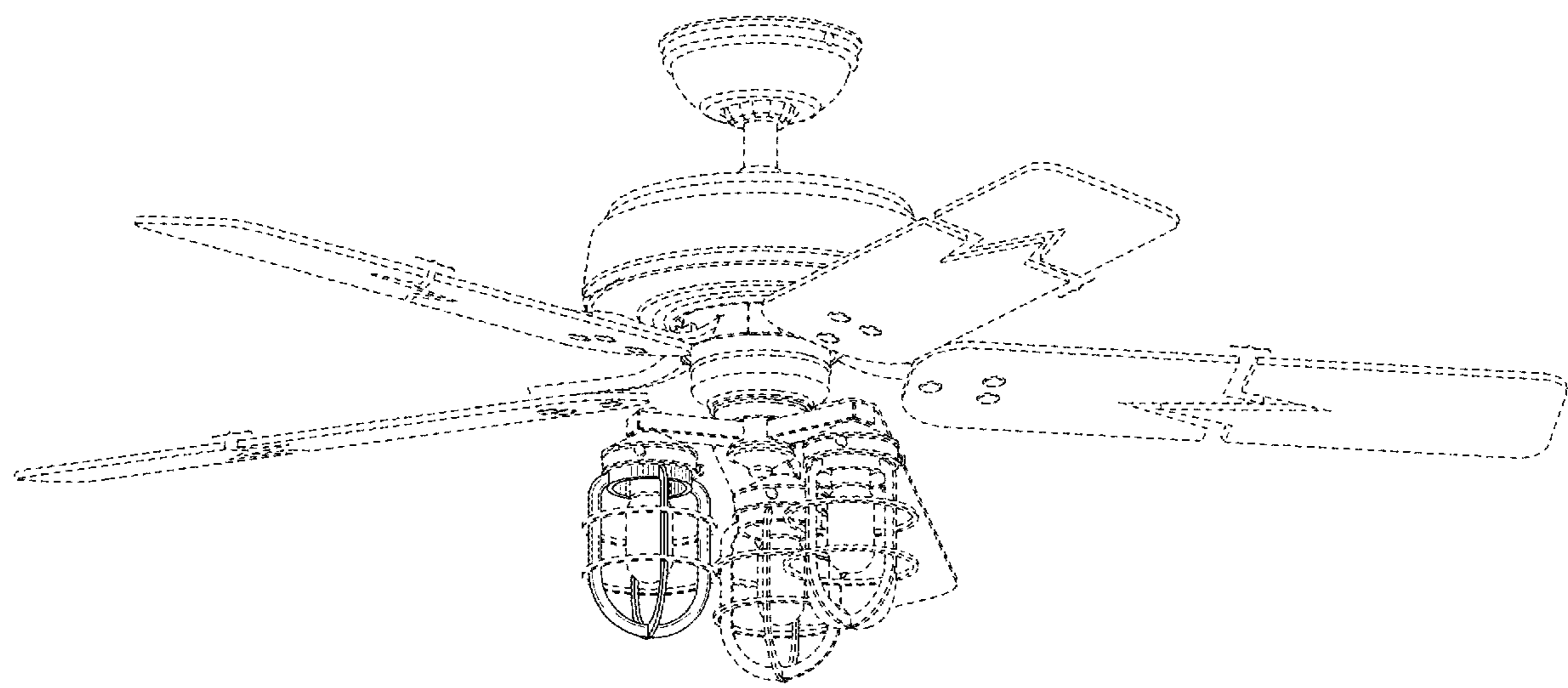
(57) **CLAIM**

The ornamental design for a ceiling fan light cage, as shown and described.

DESCRIPTION

FIG. 1 is a bottom perspective view of a ceiling fan light cage in the environment of a ceiling fan, showing my new design;
FIG. 2 is a top perspective view of the ceiling fan light cage without the ceiling fan environment;
FIG. 3 is a top view thereof;
FIG. 4 is a bottom view thereof;
FIG. 5 is a right side view thereof;
FIG. 6 is a left side view thereof;
FIG. 7 is a front view thereof; and,
FIG. 8 is a rear view thereof.
Portions of the ceiling fan light cage and the ceiling fan environment are shown in broken lines. Portions of the ceiling fan light cage and ceiling fan environment shown in broken lines form no part of the claimed design.

1 Claim, 8 Drawing Sheets



(56)

References Cited

U.S. PATENT DOCUMENTS

D510,622	S	10/2005	Tai	
D516,200	S	2/2006	Pickett	
D517,197	S	3/2006	Pickett	
7,011,425	B2	3/2006	Micele, Jr. et al.	
7,036,949	B2	5/2006	Srass et al.	
D541,973	S *	5/2007	Dolan	D26/87
D585,585	S	1/2009	Hidalgo	
7,988,327	B1	8/2011	Knoble et al.	
D653,795	S	2/2012	Guercio et al.	
D673,319	S	12/2012	Guercio et al.	
8,348,476	B2	1/2013	Fletcher et al.	
D699,339	S	2/2014	Wang	
D732,157	S	6/2015	Lin et al.	
D808,002	S	1/2018	Holmes	
D821,017	S	6/2018	Brannon	
D834,172	S	11/2018	Guthrie	
D834,698	S	11/2018	Hidalgo	
D840,017	S	2/2019	Holmes	
D851,809	S *	6/2019	Brannon	D26/87
D855,872	S *	8/2019	Lan	D26/119
D856,572	S *	8/2019	Hagggar	D26/119
D858,863	S *	9/2019	Deng	D26/119
2014/0340903	A1	11/2014	Mahr	
2017/0292693	A1	10/2017	Ohai	
2019/0212005	A1 *	7/2019	Lan	F21V 29/75

OTHER PUBLICATIONS

<http://www.homedepot.com/p/Sawyer-48-in-Brushed-Nickel-Ceiling-Fan-with-5-Reversible-Blades-and-Clear-Glass-CF48SAW5BN/205113867>, Sawyer 48 in. Brushed Nickel Ceiling Fan with 5-Reversible Blades and Clear Glass, Model No. CF48SAW5BN, accessed Sep. 21, 2017.

<http://www.kichler.com/products/product/3-light-industrial-fan-kit-dbk-dbk-370041dbk.aspx>, Kichler 3 Light Industrial Fan Kit in Distressed Black, Model No. 370041DBK, accessed Sep. 21, 2017.

<http://ceilingfans.emerson.com/en/shop/fan/fans-s-fan-lighting/boardwalk-cage-light-kit-fan-p-lk40>, Emerson Boardwalk Cage Ceiling Fan Light Fixture in Oil Rubbed Bronze, Model No. P-LK40, accessed Sep. 21, 2017.

<http://www.minkagroup.net/sites/default/files/styles/highres/public/products/minka-image-import/2250-647-1377124667.jpg?itok=KXTut642>, Minka 1 Light Pendant in Copper Patina Bronze Finish with Metal Shade, Model No. 2250-647, accessed Sep. 21, 2017.

<http://www.hunterfan.com/ceiling-fans/ronan>, Hunter Fan, Ronan 52" Ceiling Fan, Model No. 59239 in Matte Black Finish, accessed Sep. 21, 2017.

<http://www.hunterfan.com/Ceiling-Fans/Crown-Canyon?ModelNumber=53331>, Hunter Fan , Crown Canyon 52" Ceiling Fan, Model No. 53331 in Regal Bronze Finish, accessed Sep. 21, 2017.

<http://ceilingfans.emerson.com/en/shop/fan/fan-s-all/fans-s-browse-all/maui-bay-fan-p-cf2000>, Emerson Baui Bay 52" Ceiling Fan, Model No. CF2000ORB in Oil-Rubbed Bronze, accessed Mar. 20, 2018.

<http://www.homedepot.com/p/Hampton-Bay-Metro-54-in-Rustic-Copper-Indoor-Outdoor-Ceiling-Fan-34342/202075572>, Hampton Bay Metro 54" Rustic Copper Indoor/Outdoor Ceiling Fan, Model No. 34342, accessed Sep. 21, 2017.

<http://www.minkagroup.net/all-collections?keys=Alva>, Minka Alva 56" 5-Blades Ceiling Fan with LED Light in Brushed Nickel Finish with Seashore Grey Blades, Model No. F852L-BN, accessed Sep. 21, 2017.

<http://minka.com/all-collections?keys=rainman>, Minka Rainman 52" 5 Blades in Oil Rubbed Bronze Finish with Taupe Blades Integrated Light with Vintage Amber Glass, Model No. 582-ORB, accessed Sep. 21, 2017.

* cited by examiner

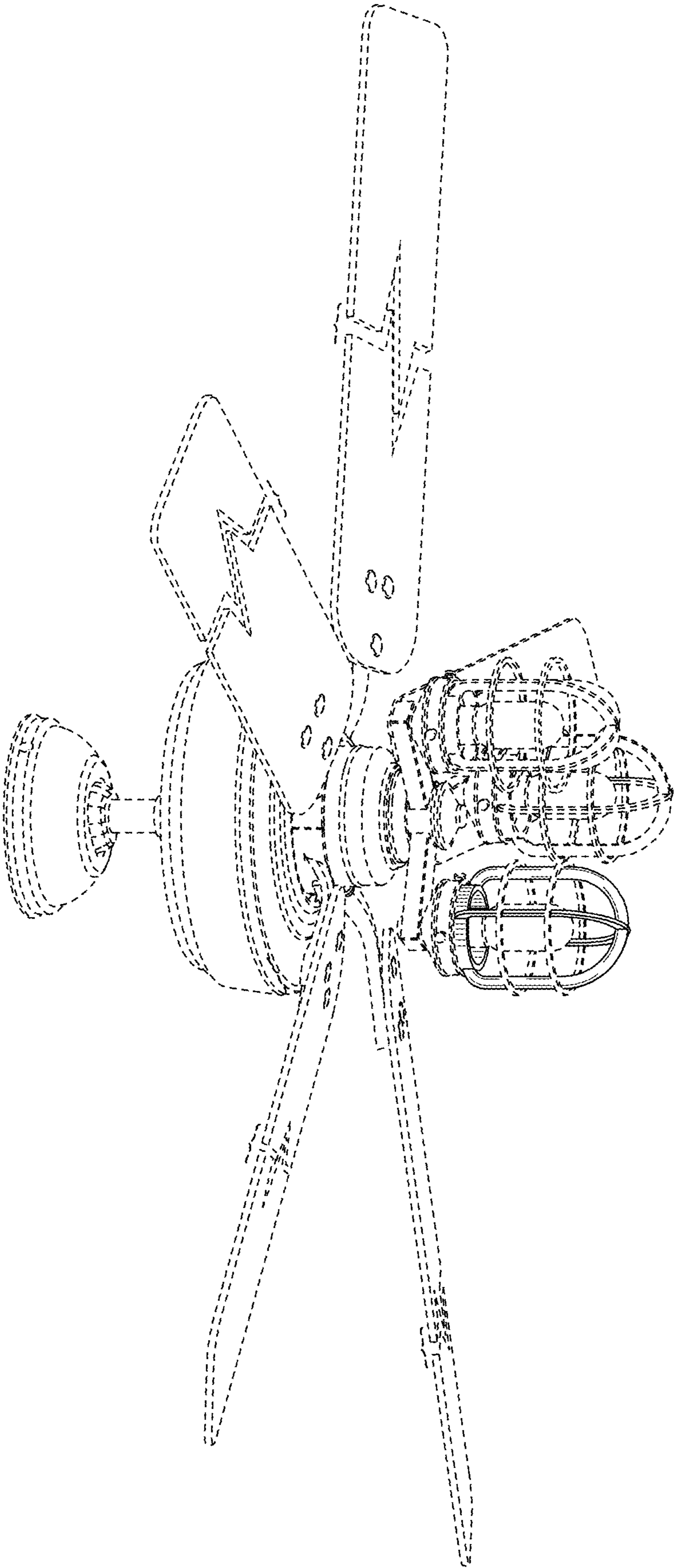


FIG. 1

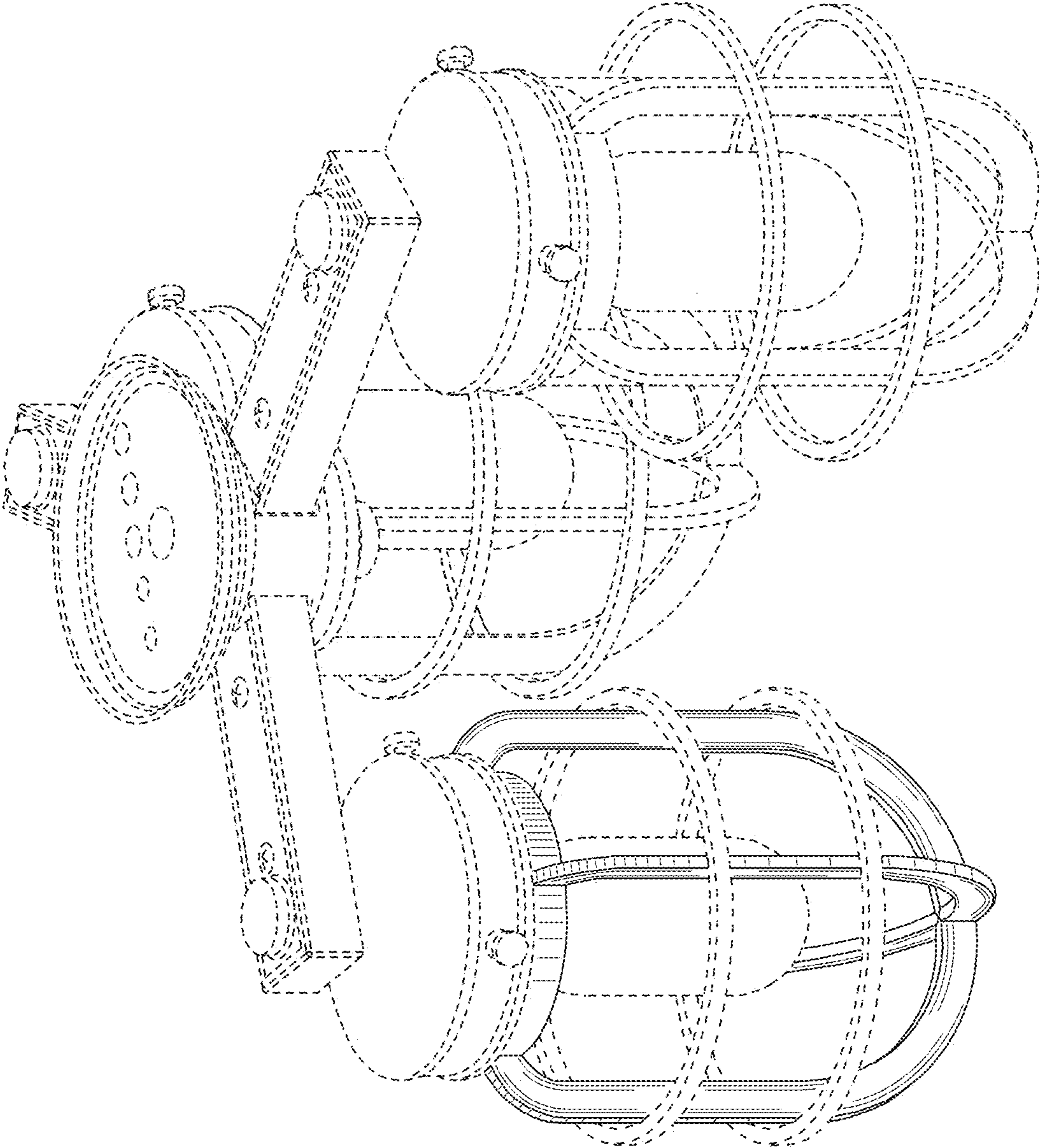


FIG. 2

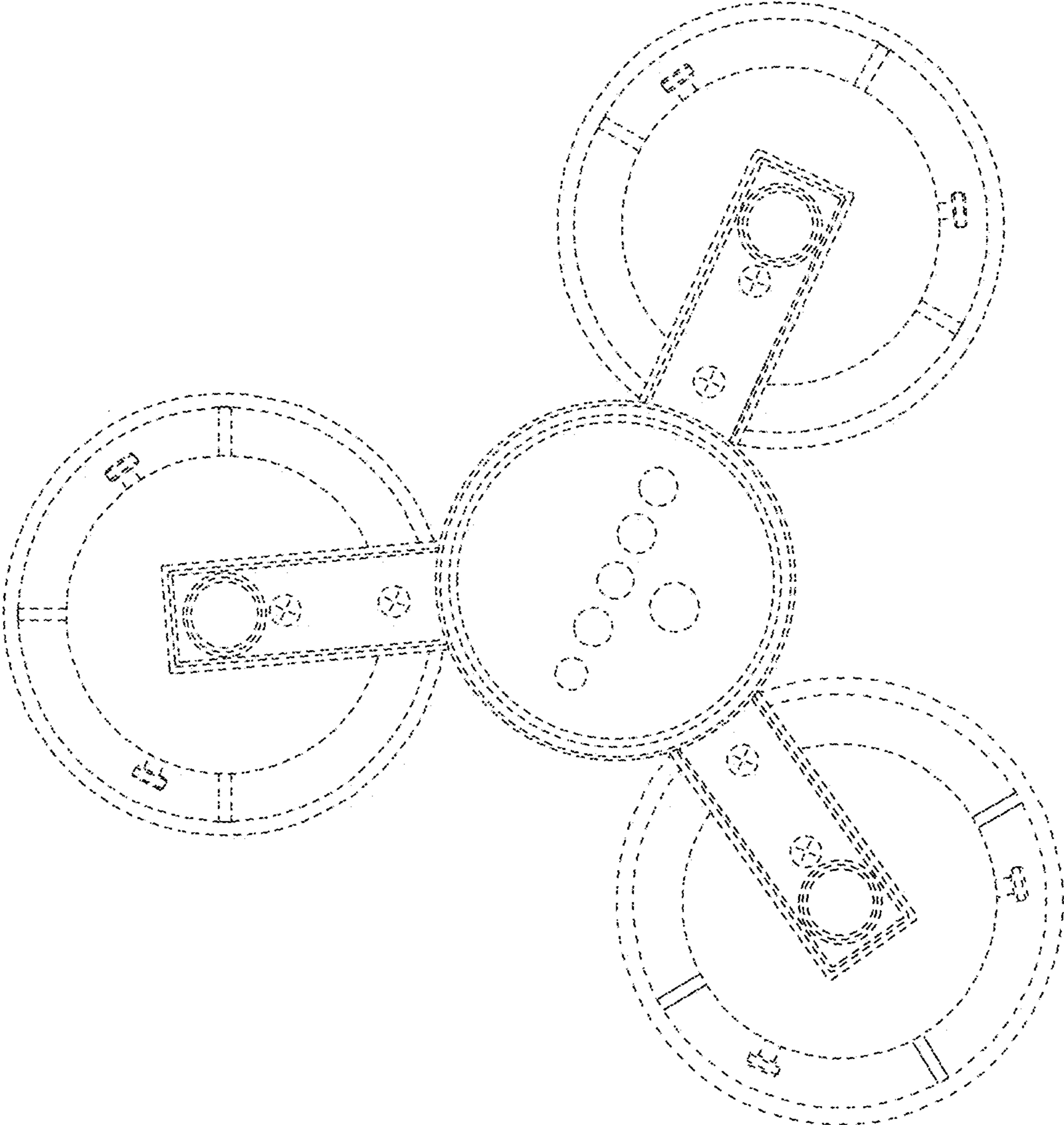


FIG. 3

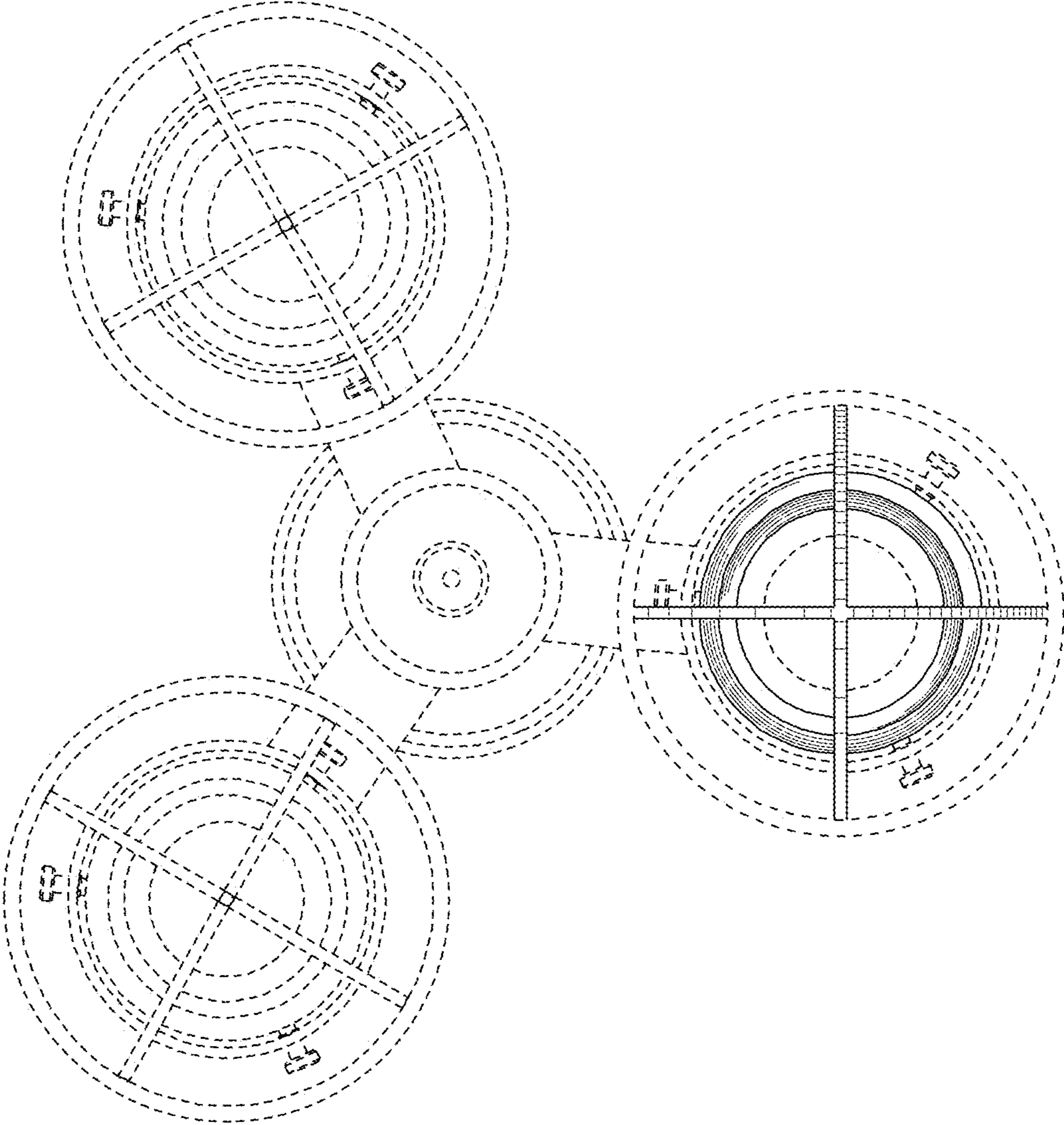


FIG. 4

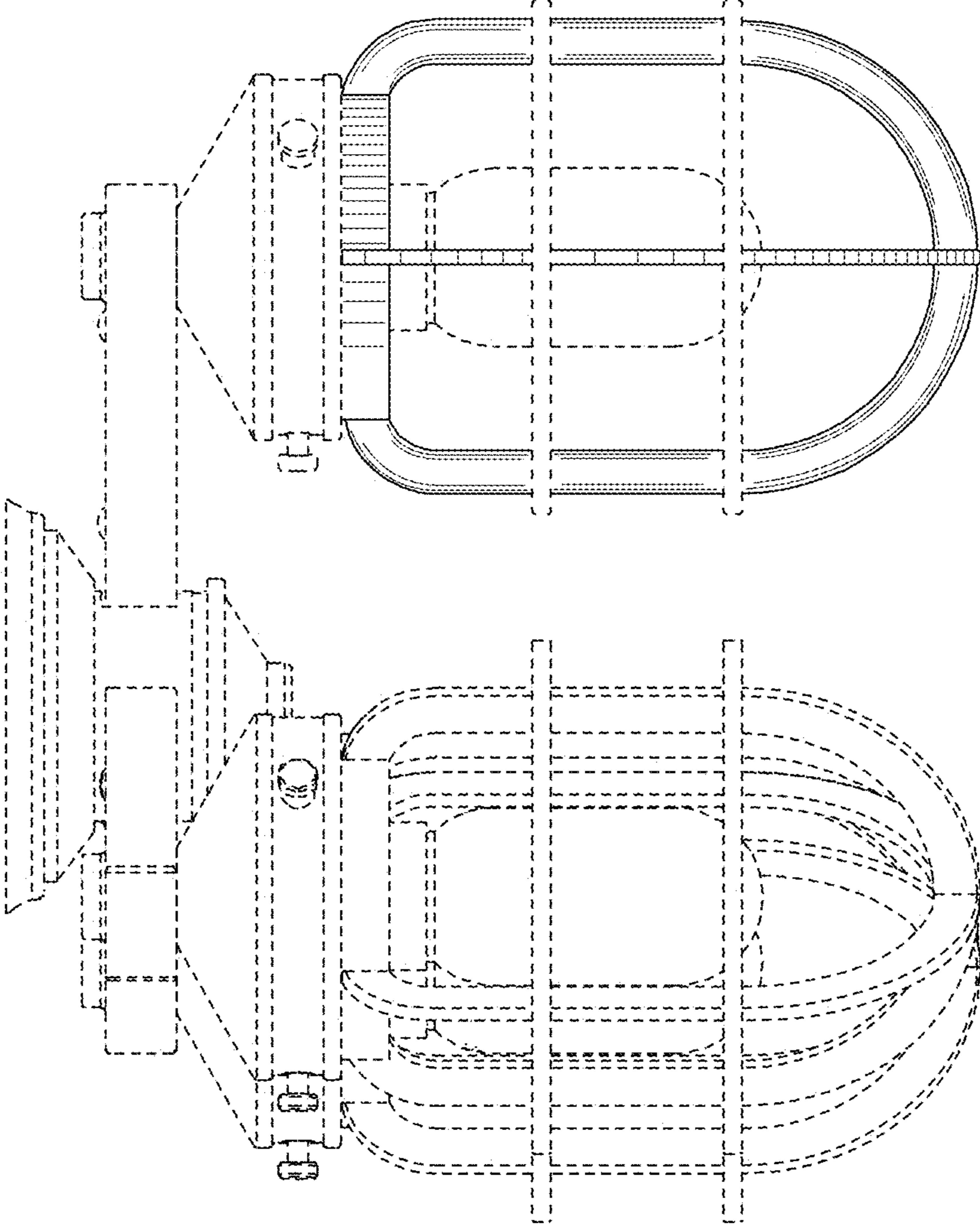


FIG. 5

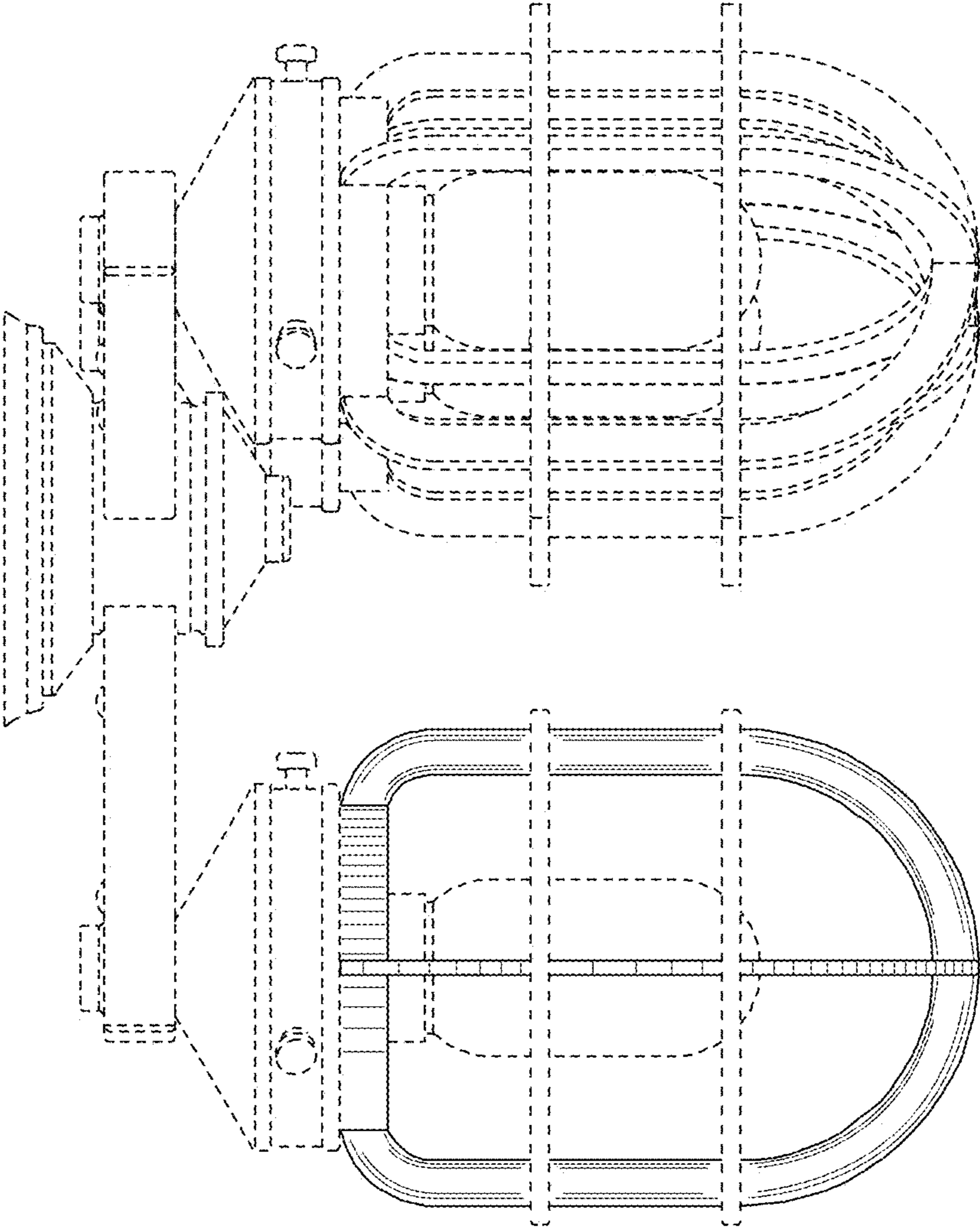


FIG. 6

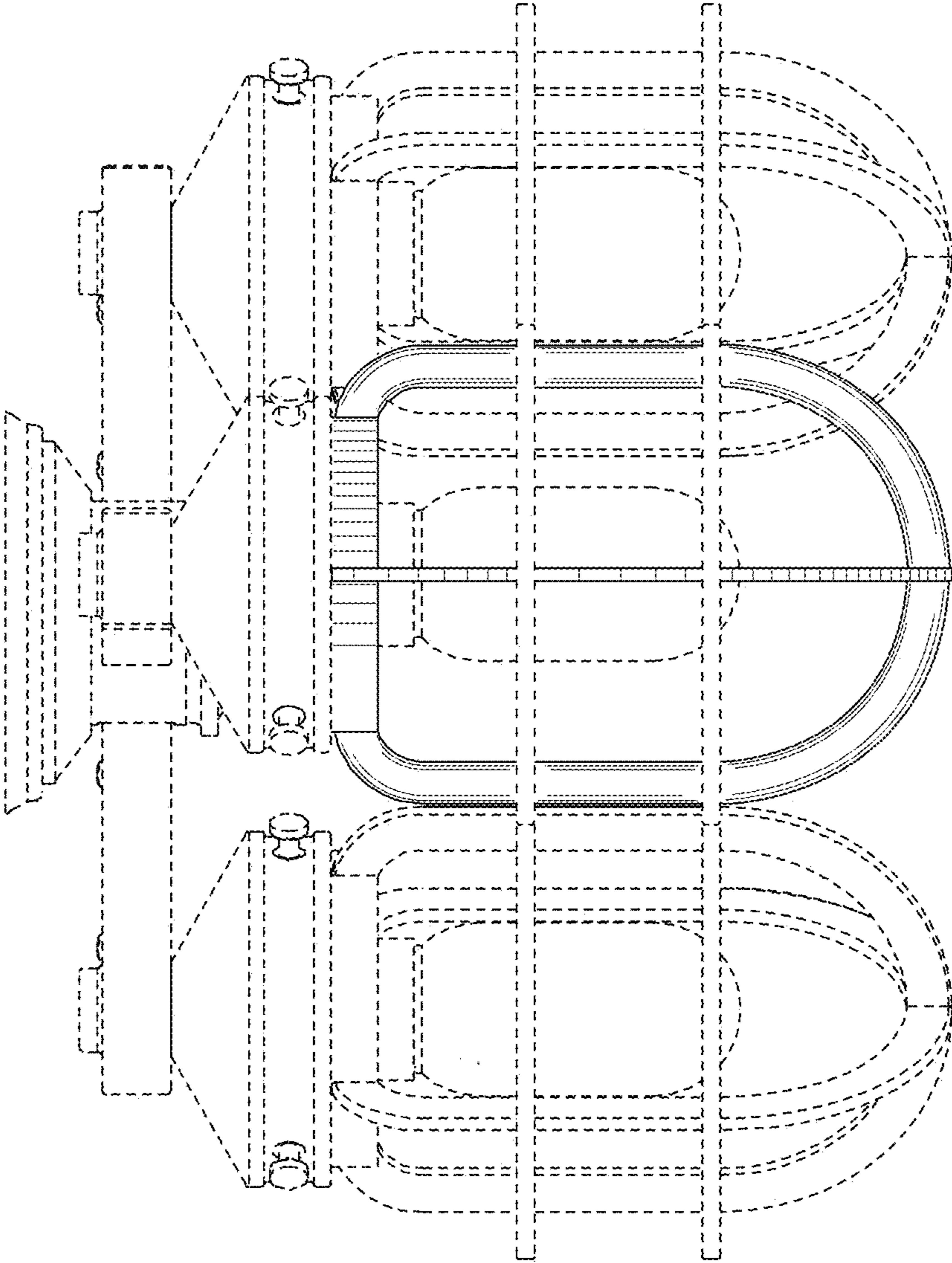


FIG. 7

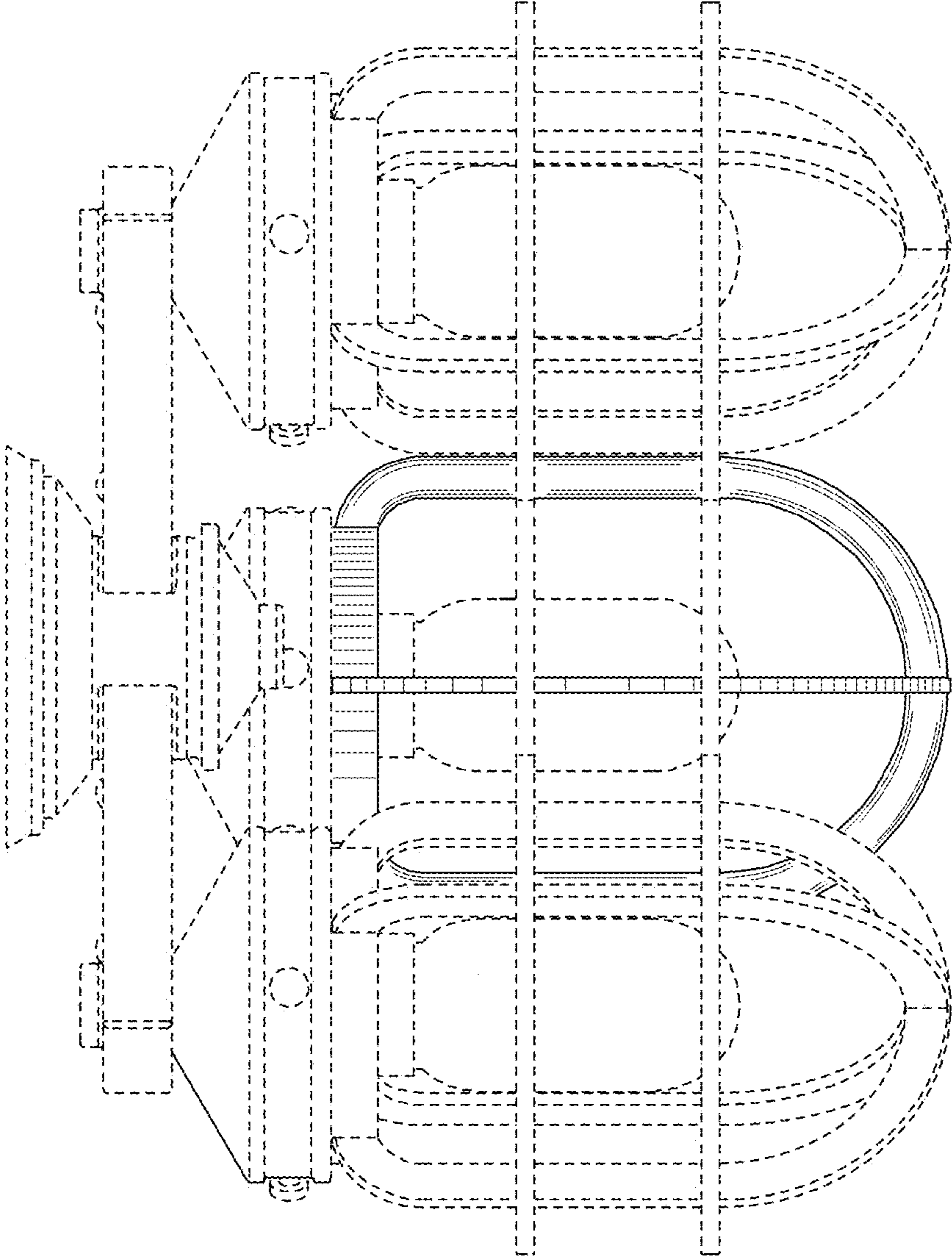


FIG. 8