



US00D885644S

(12) **United States Design Patent**
Adelman

(10) **Patent No.:** **US D885,644 S**

(45) **Date of Patent:** **** May 26, 2020**

(54) **LIGHTING ELEMENT**

(71) Applicant: **LINDSEY ADELMAN STUDIO LLC**,
New York, NY (US)

(72) Inventor: **Lindsey Adelman**, New York, NY (US)

(73) Assignee: **Lindsey Adelman Studio LLC**, New
York, NY (US)

(**) Term: **15 Years**

(21) Appl. No.: **29/650,899**

(22) Filed: **Jun. 11, 2018**

(51) **LOC (12) Cl.** **26-99**

(52) **U.S. Cl.**
USPC **D26/113**

(58) **Field of Classification Search**
USPC ... D26/72, 73, 81, 84, 88, 90, 118, 127-137
CPC F21S 8/03; F21S 8/033; F21S 8/036; F21S
8/04; F21S 8/043; F21S 8/046; F21S
8/06; F21S 8/061; F21S 8/063; F21S
8/065; F21V 1/04; F21V 1/06; F21V
3/02; F21V 3/023; F21V 5/06
See application file for complete search history.

(56) **References Cited**

U.S. PATENT DOCUMENTS

D635,709 S * 4/2011 Federico D26/84
D655,852 S * 3/2012 Sabernig D26/88

D719,697 S * 12/2014 Wanders D26/81
D719,698 S * 12/2014 Mollaghaffari D26/81
D720,491 S * 12/2014 Anastassiades D26/88
D721,453 S * 1/2015 Anastassiades D26/88
D773,101 S * 11/2016 Sonneman D26/88
D780,979 S * 3/2017 Urquiola D26/88
D826,451 S * 8/2018 Sonneman D26/80
D826,452 S * 8/2018 Sonneman D26/80
D826,453 S * 8/2018 Sonneman D26/80
D826,454 S * 8/2018 Sonneman D26/81
D829,954 S * 10/2018 Sonneman D26/80

* cited by examiner

Primary Examiner — Zenia I Bennett

(74) *Attorney, Agent, or Firm* — Amster, Rothstein &
Ebenstein LLP

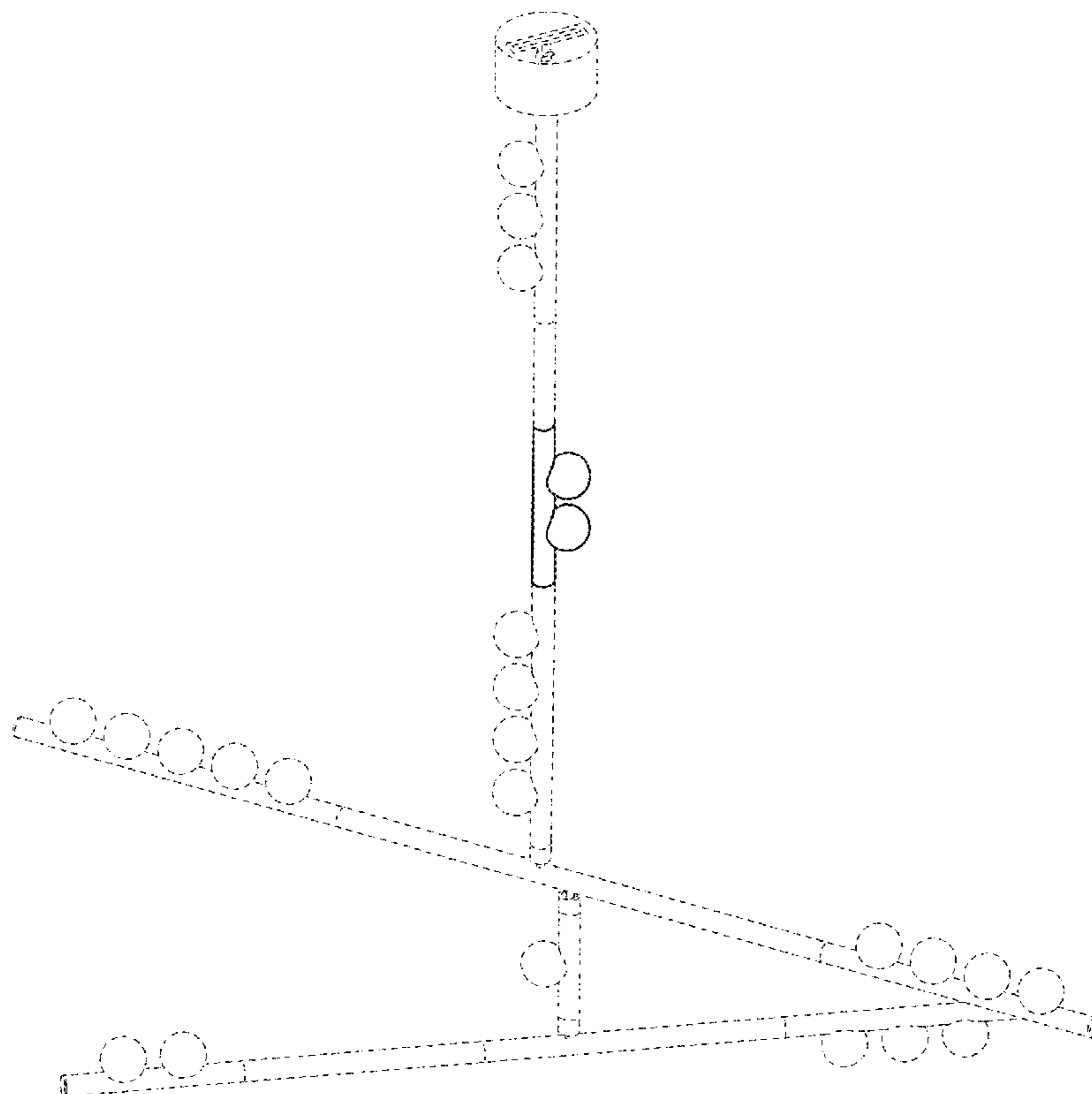
(57) **CLAIM**

The ornamental design for a lighting element, as shown and
described.

DESCRIPTION

FIG. 1 is a perspective view of a lighting element showing
my new design;
FIG. 2 is a side view thereof;
FIG. 3 is a front view thereof;
FIG. 4 is an opposite side view thereof;
FIG. 5 is a rear view thereof;
FIG. 6 is a bottom view thereof; and,
FIG. 7 is a top view thereof.
The broken lines in FIGS. 1-7 represent environmental
structure which forms no part of the claimed design.

1 Claim, 7 Drawing Sheets



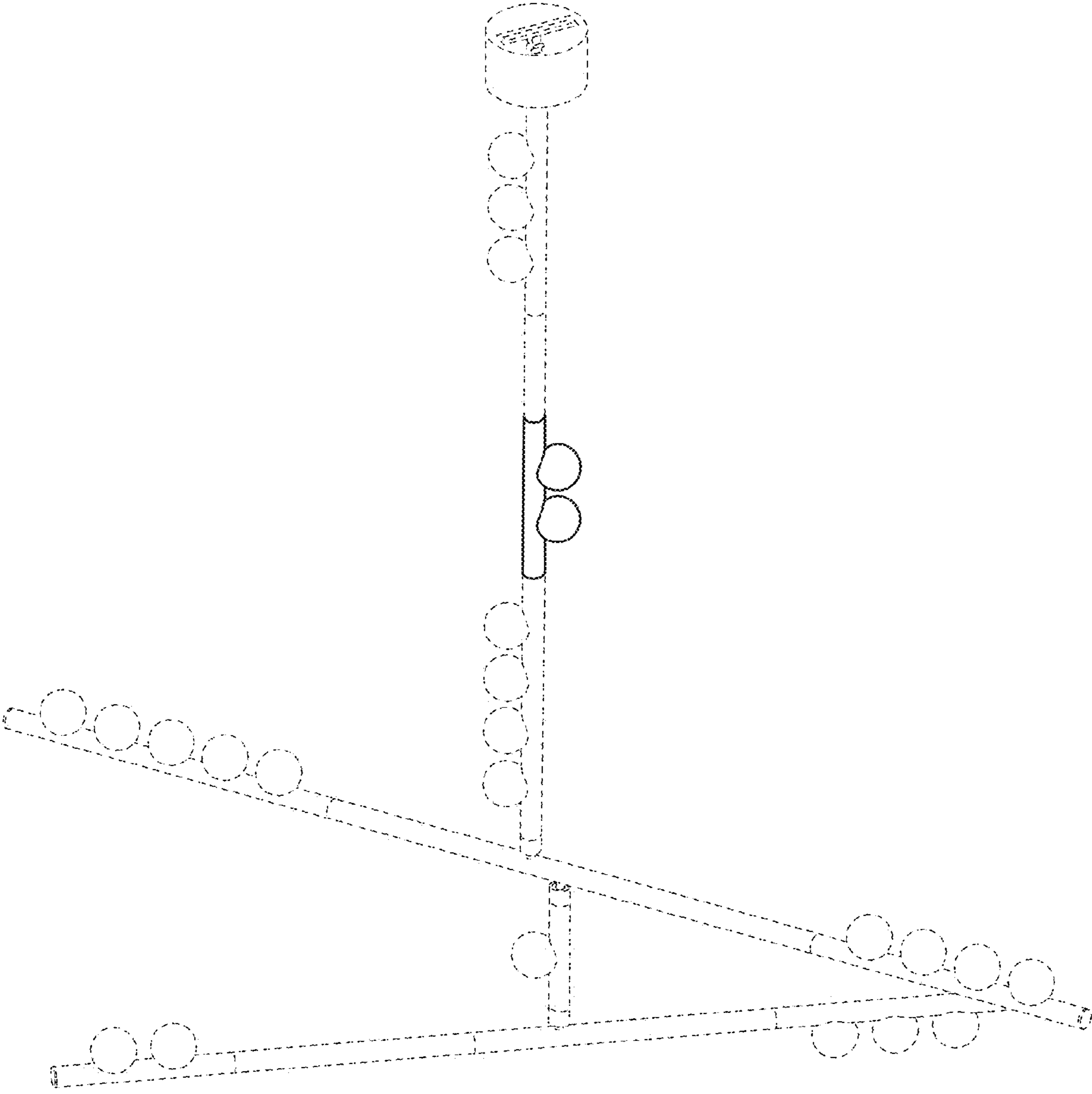


FIG. 1

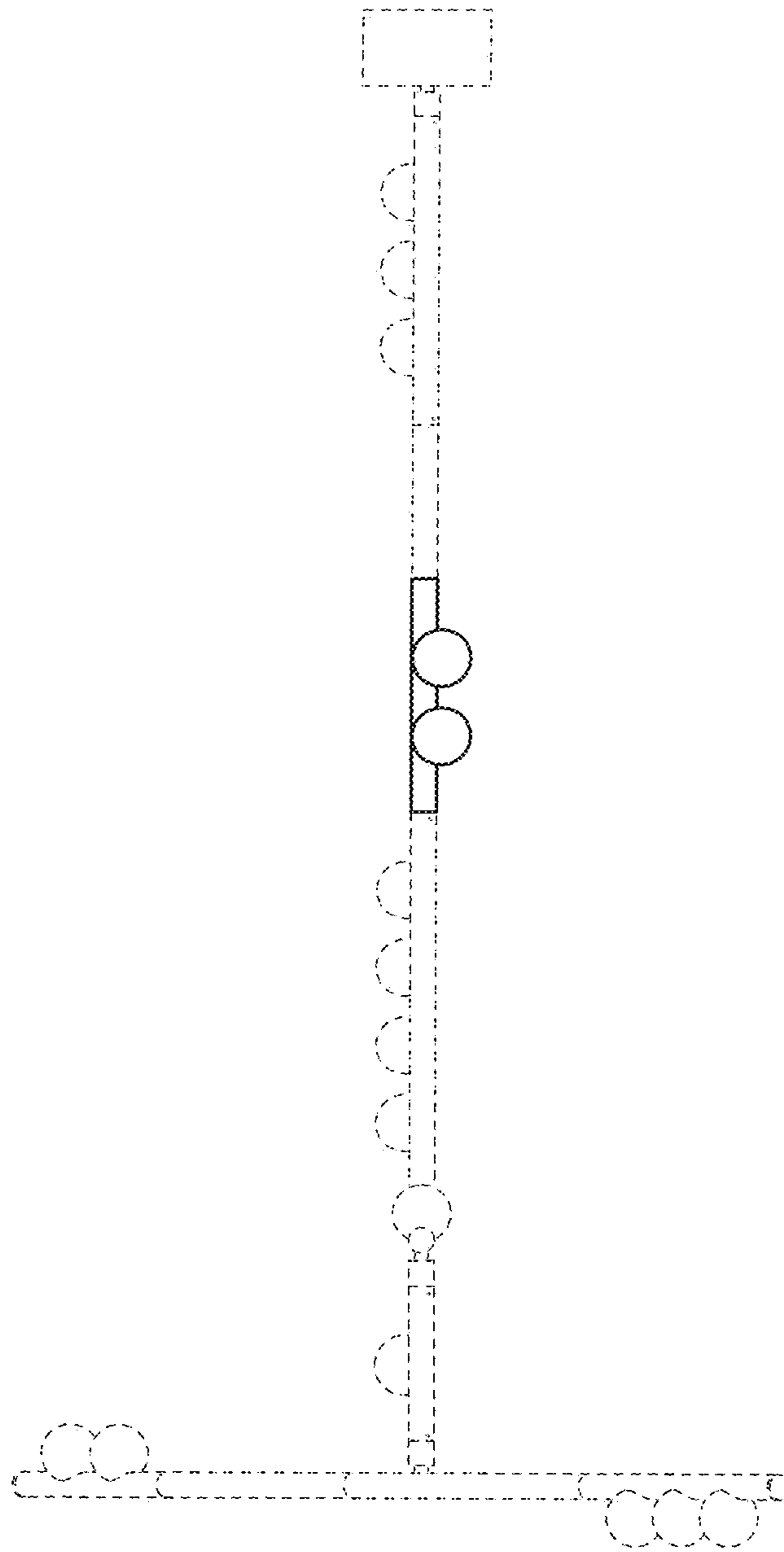


FIG. 2

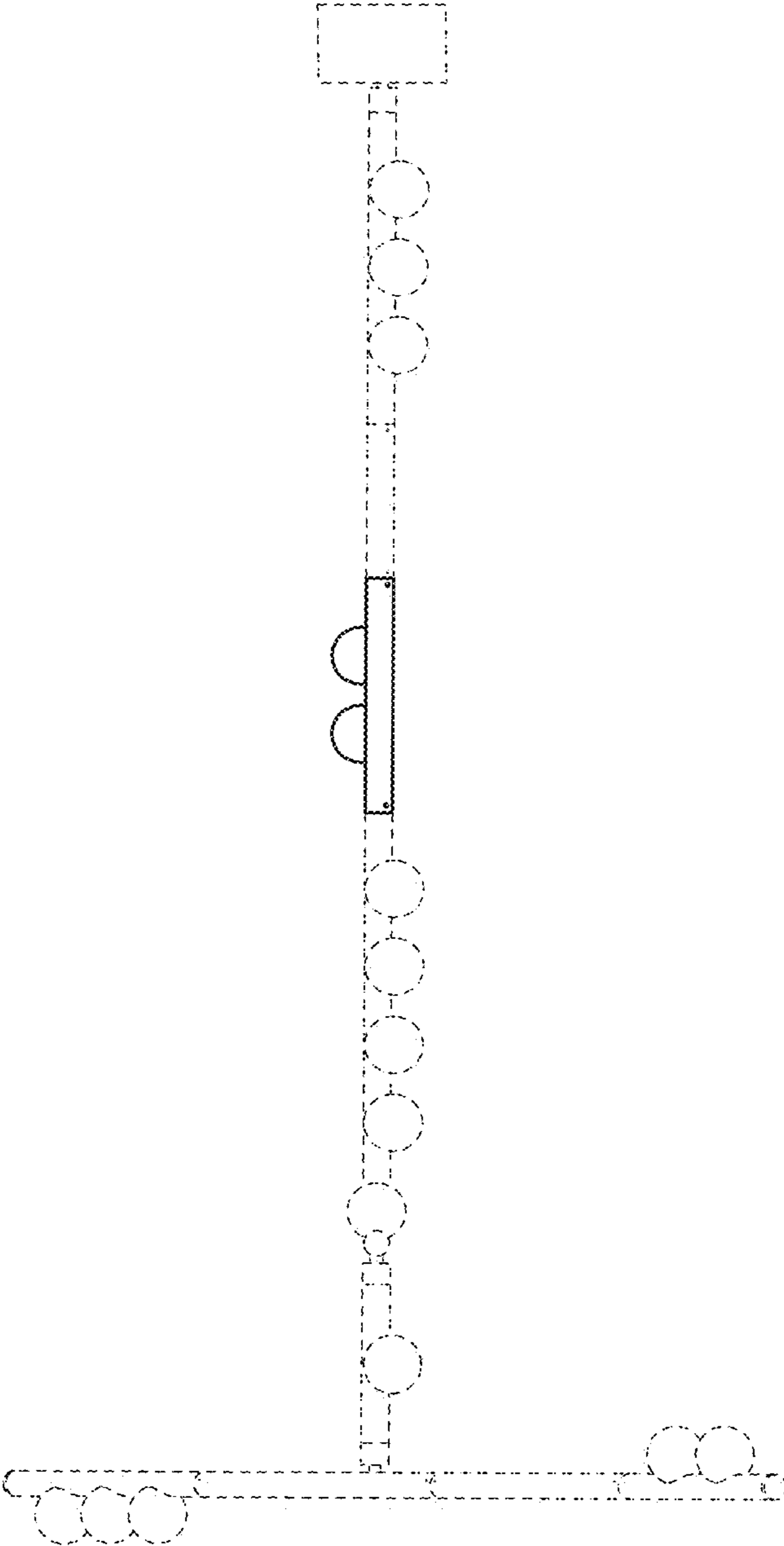


FIG. 3

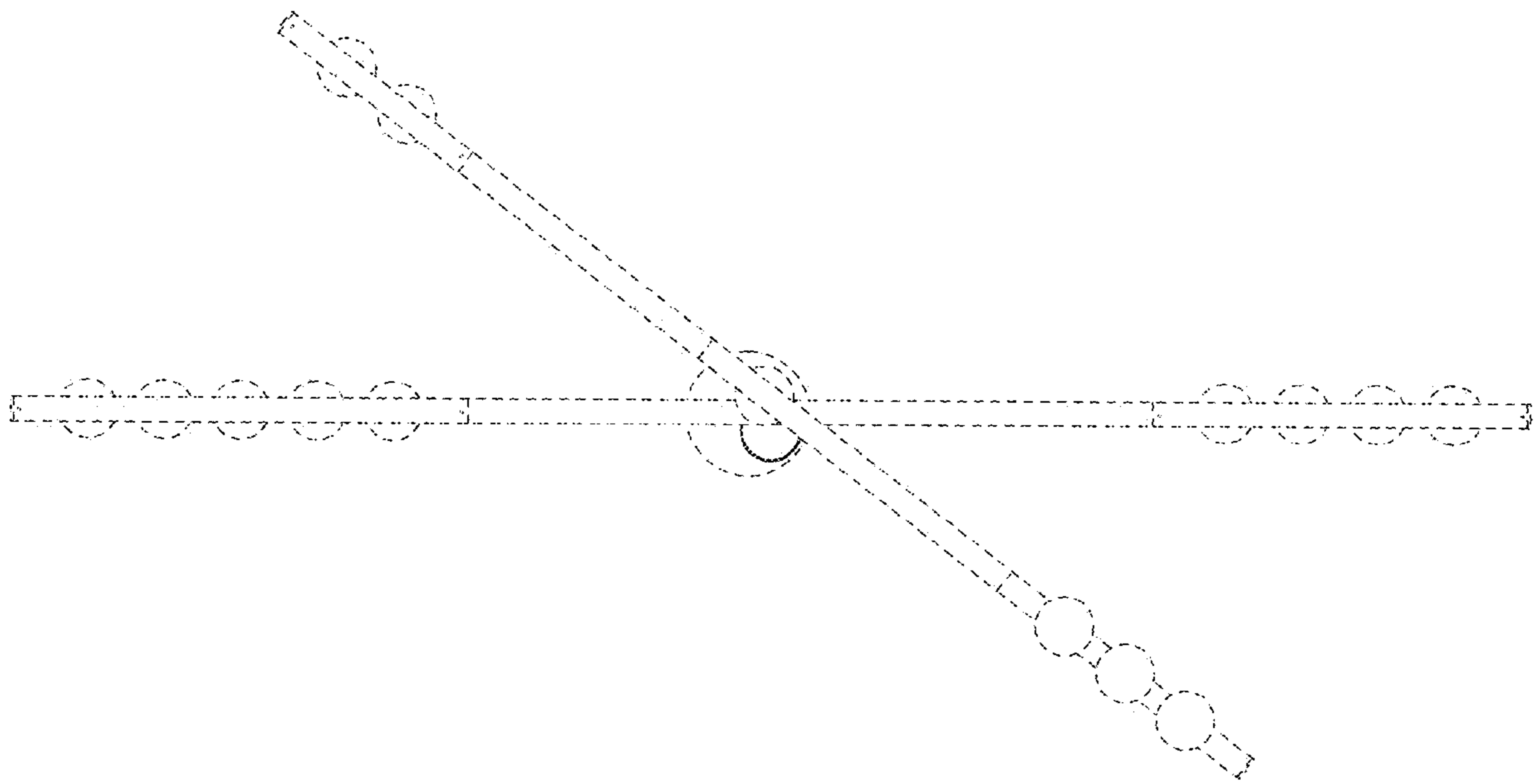


FIG. 4

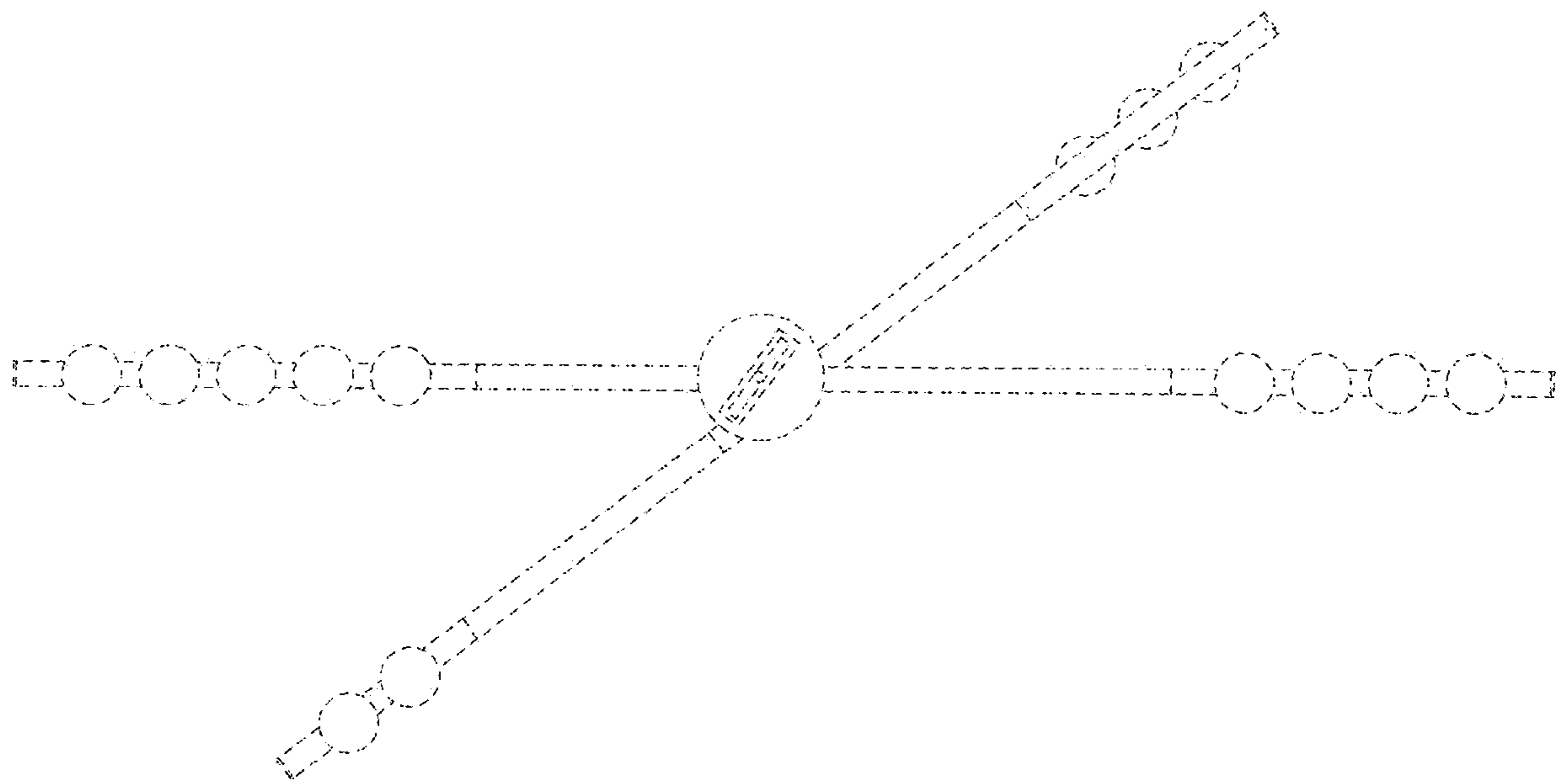


FIG. 5

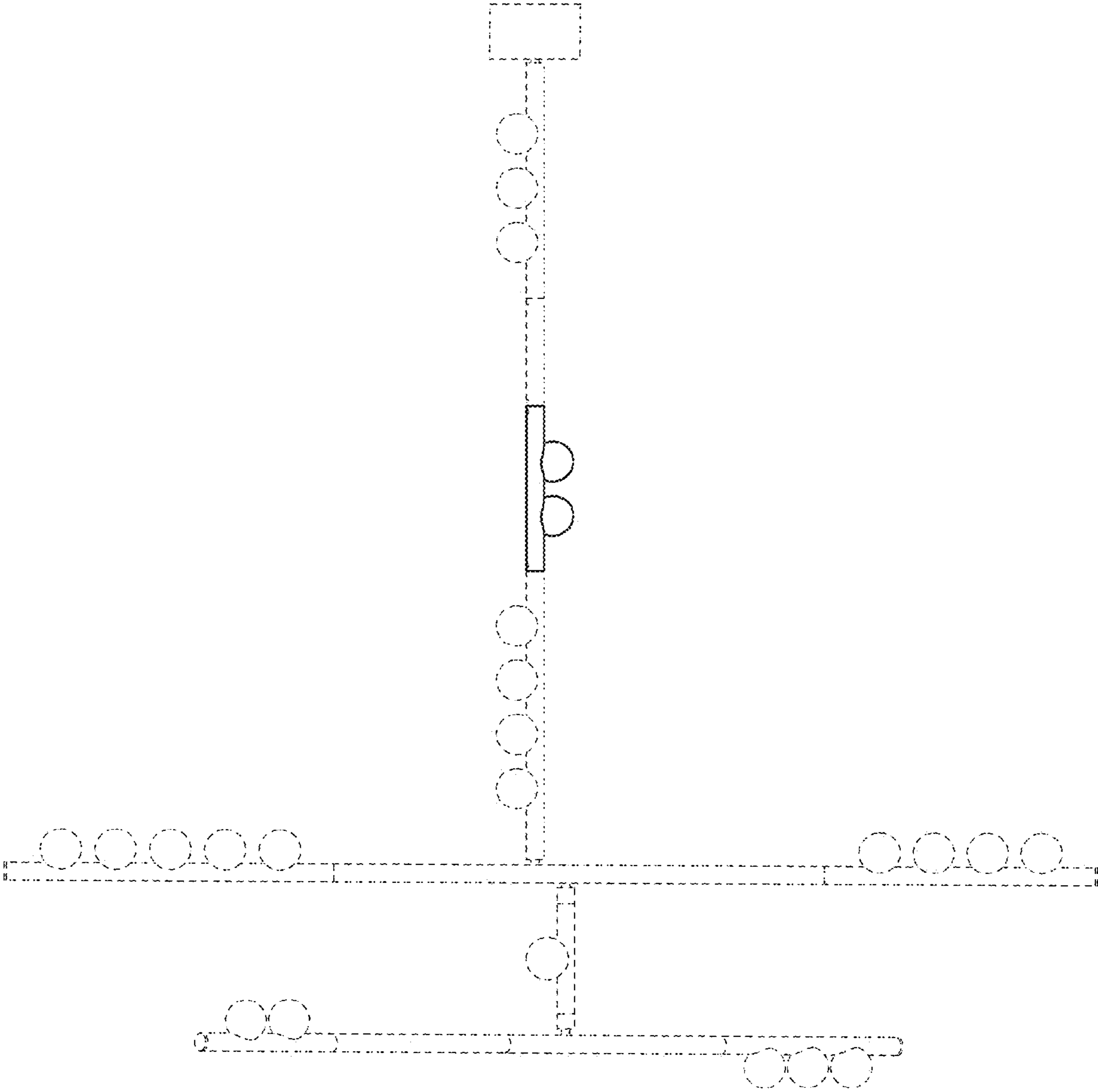


FIG. 6

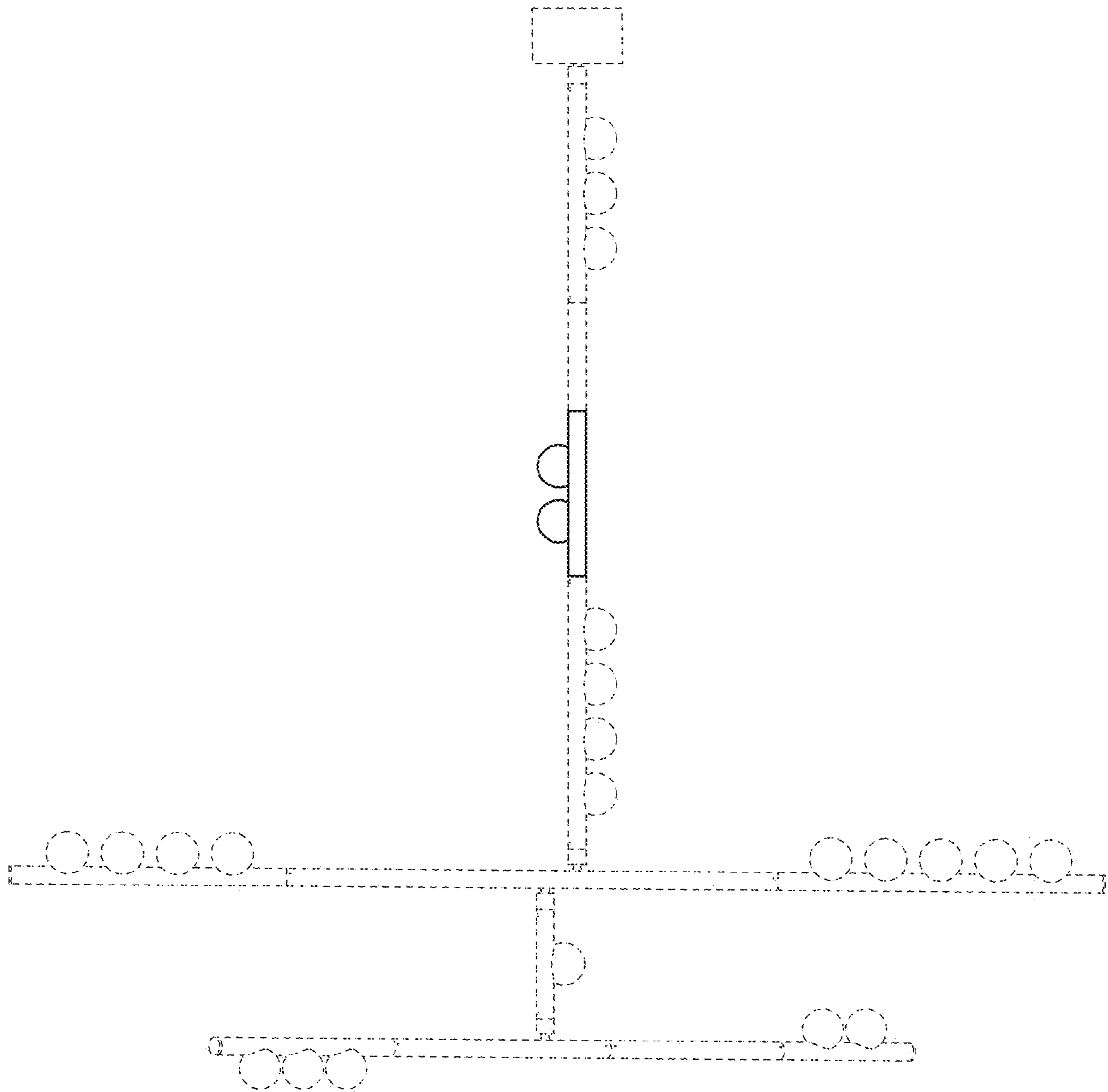


FIG. 7