



US00D885641S

(12) **United States Design Patent** (10) **Patent No.:** **US D885,641 S**
Lanneskog (45) **Date of Patent:** **** May 26, 2020**

(54) **LAMP**

(56) **References Cited**

(71) Applicant: **Inter IKEA Systems B.V.**, LN Delft (NL)

U.S. PATENT DOCUMENTS

(72) Inventor: **Stina Lanneskog**, Stockholm (SE)

3,995,397	A *	12/1976	Despard, III	A01G 9/02 47/81
D270,376	S *	8/1983	Tendick, Sr.	D26/104
D489,840	S *	5/2004	Liao	D26/104
D773,705	S *	12/2016	Zhou	D26/41
D793,614	S *	8/2017	Patton	D26/96
D812,285	S *	3/2018	Patton	D26/96
D844,215	S *	3/2019	Chen	D26/96
D857,281	S *	8/2019	Zhong	D26/96
D861,229	S *	9/2019	Wu	D26/96
2014/0268669	A1 *	9/2014	Yang	F21S 8/035 362/101

(73) Assignee: **Inter IKEA Systems B.V.**, LN Delft (NL)

(**) Term: **15 Years**

(21) Appl. No.: **29/671,922**

(22) Filed: **Nov. 30, 2018**

(30) **Foreign Application Priority Data**

Jun. 5, 2018 (EM) 005298098

(51) **LOC (12) Cl.** **26-05**

(52) **U.S. Cl.**
USPC **D26/105**

(58) **Field of Classification Search**

USPC D26/1, 24, 40, 88, 93, 96, 104, 105, 106,
D26/107, 108, 109, 110, 128; D14/172,
D14/188, 496, 509
CPC F21S 6/00; F21S 6/002; F21S 6/003; F21S
6/004; F21S 6/005; F21S 6/006; F21S
6/007; F21S 8/035; F21S 8/063; F21V
15/01; F21V 15/012; F21V 21/06; F21V
21/08; F21V 33/00; F21V 33/0024; F21V
33/0048; F21V 33/0056; F21W 2131/30;
F21W 2131/40; F21W 2131/301

See application file for complete search history.

* cited by examiner

Primary Examiner — Wan Laymon

Assistant Examiner — Clint A Samuel

(74) *Attorney, Agent, or Firm* — Tucker Ellis LLP

(57) **CLAIM**

The ornamental design for a lamp, as shown and described.

DESCRIPTION

FIG. 1 is a perspective view of a lamp showing my new design;

FIG. 2 is a front view thereof;

FIG. 3 is a rear view thereof;

FIG. 4 is a right side view thereof;

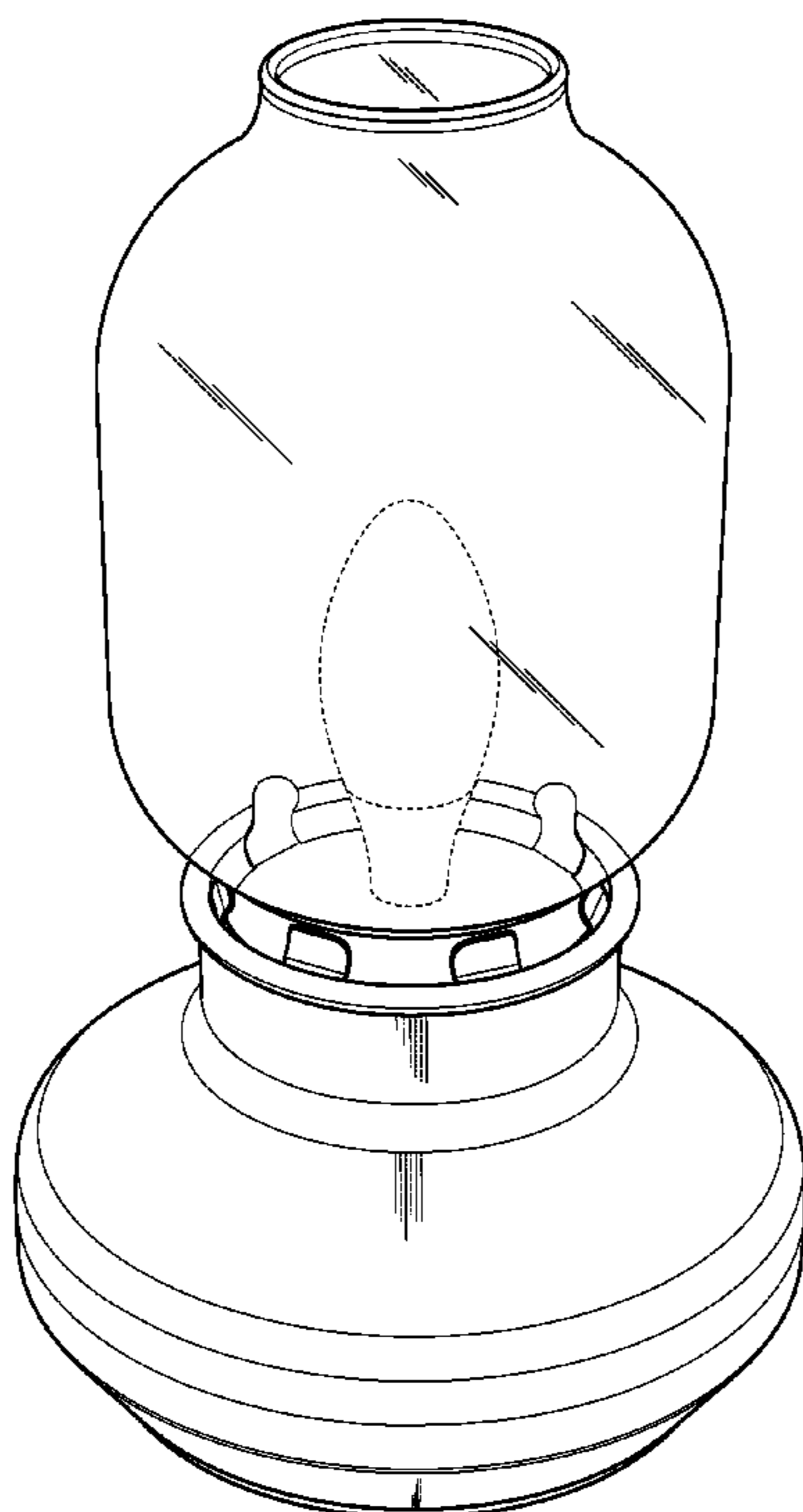
FIG. 5 is a left side view thereof;

FIG. 6 is a top view thereof; and,

FIG. 7 is a bottom view thereof.

The broken lines are for the purpose of illustrating portions of the lamp and form no part of the claimed design.

1 Claim, 7 Drawing Sheets



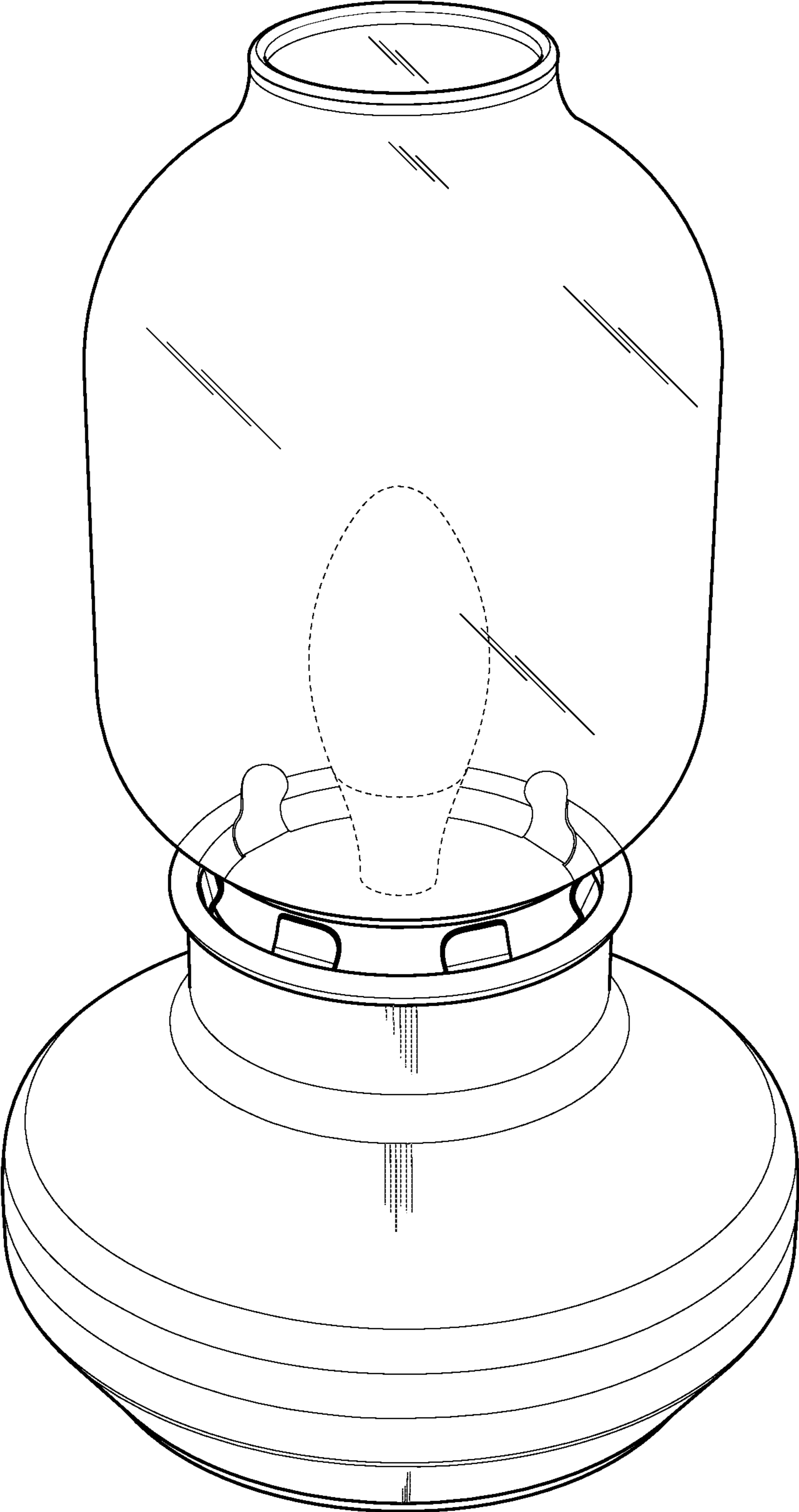


FIG. 1

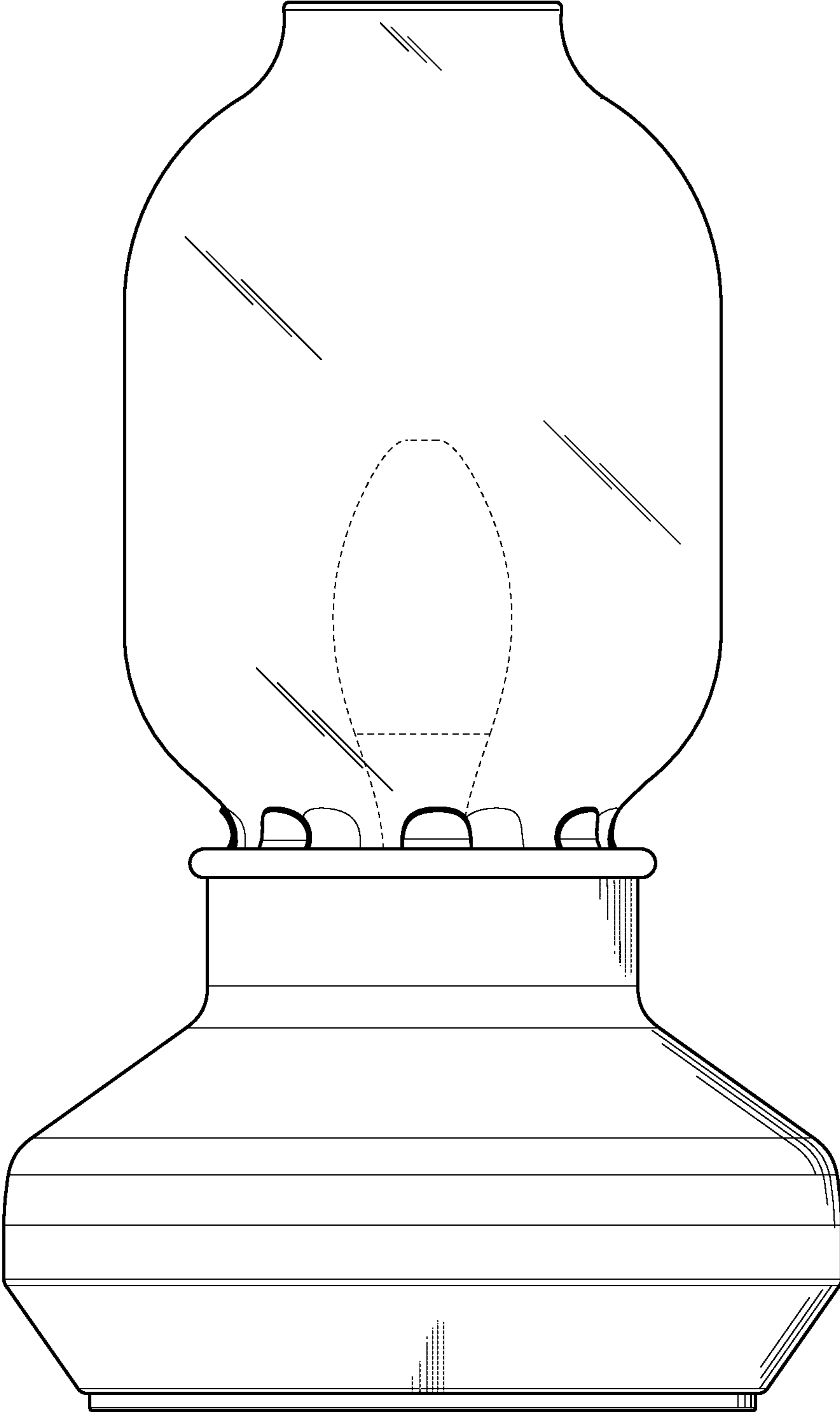


FIG. 2

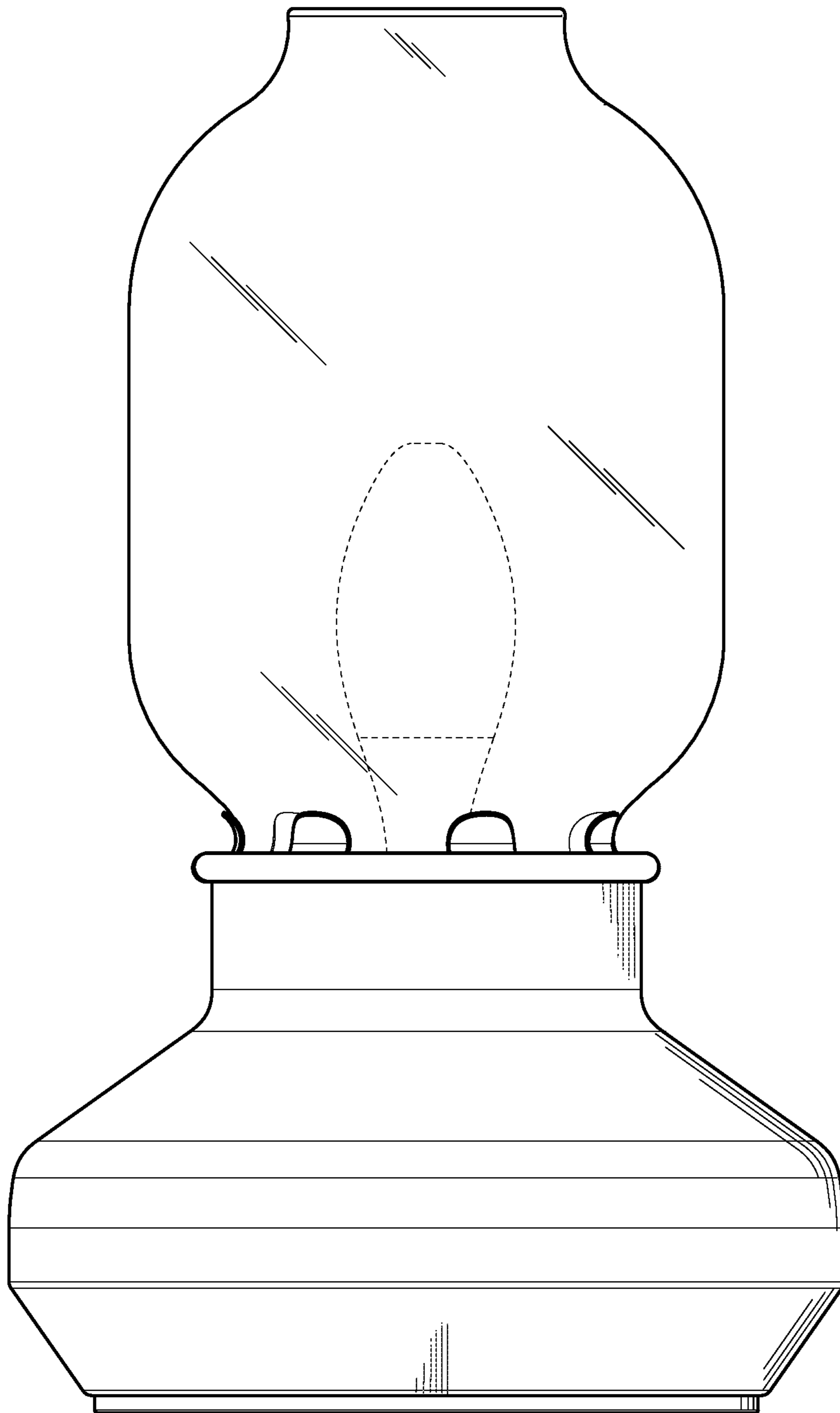


FIG. 3

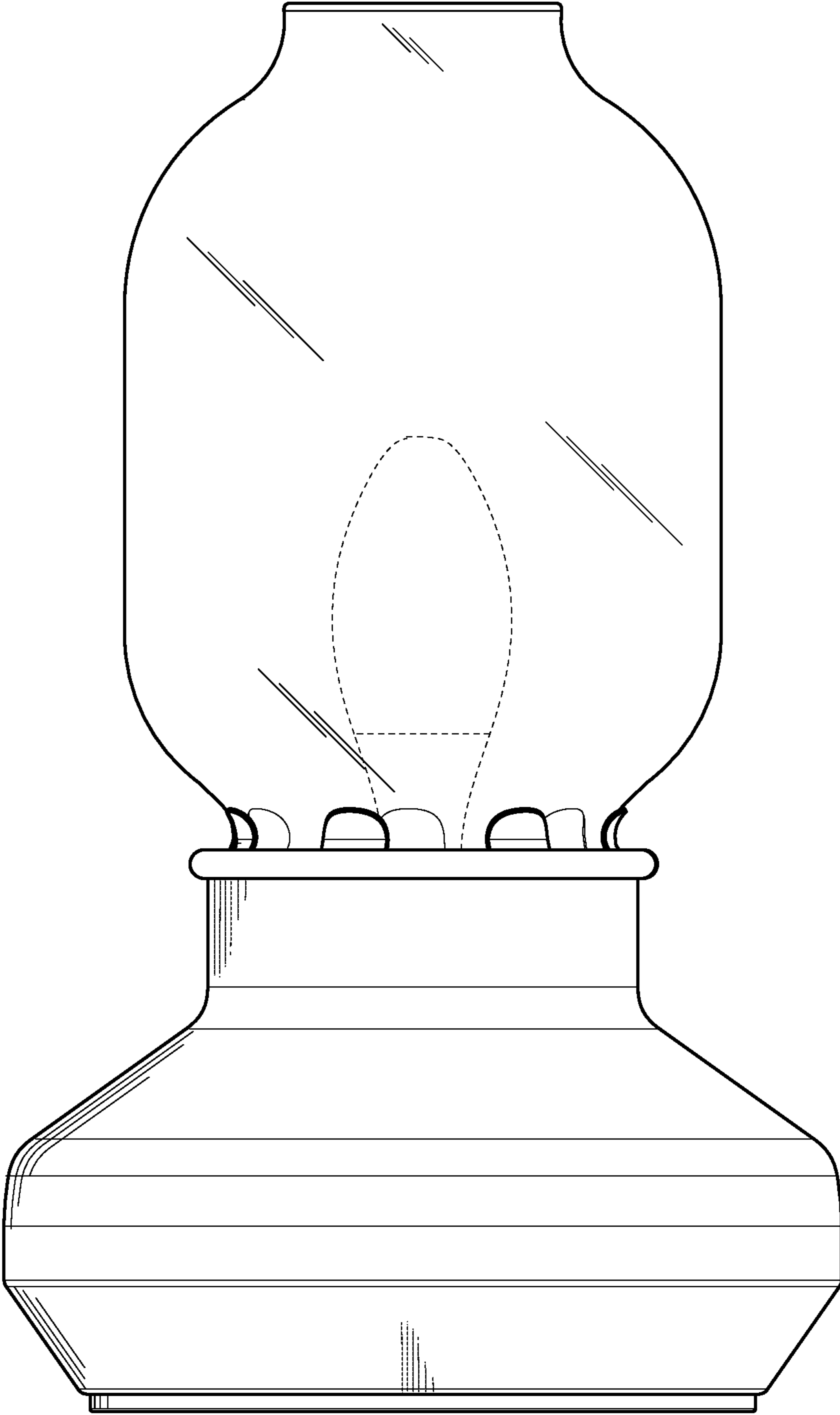


FIG. 4

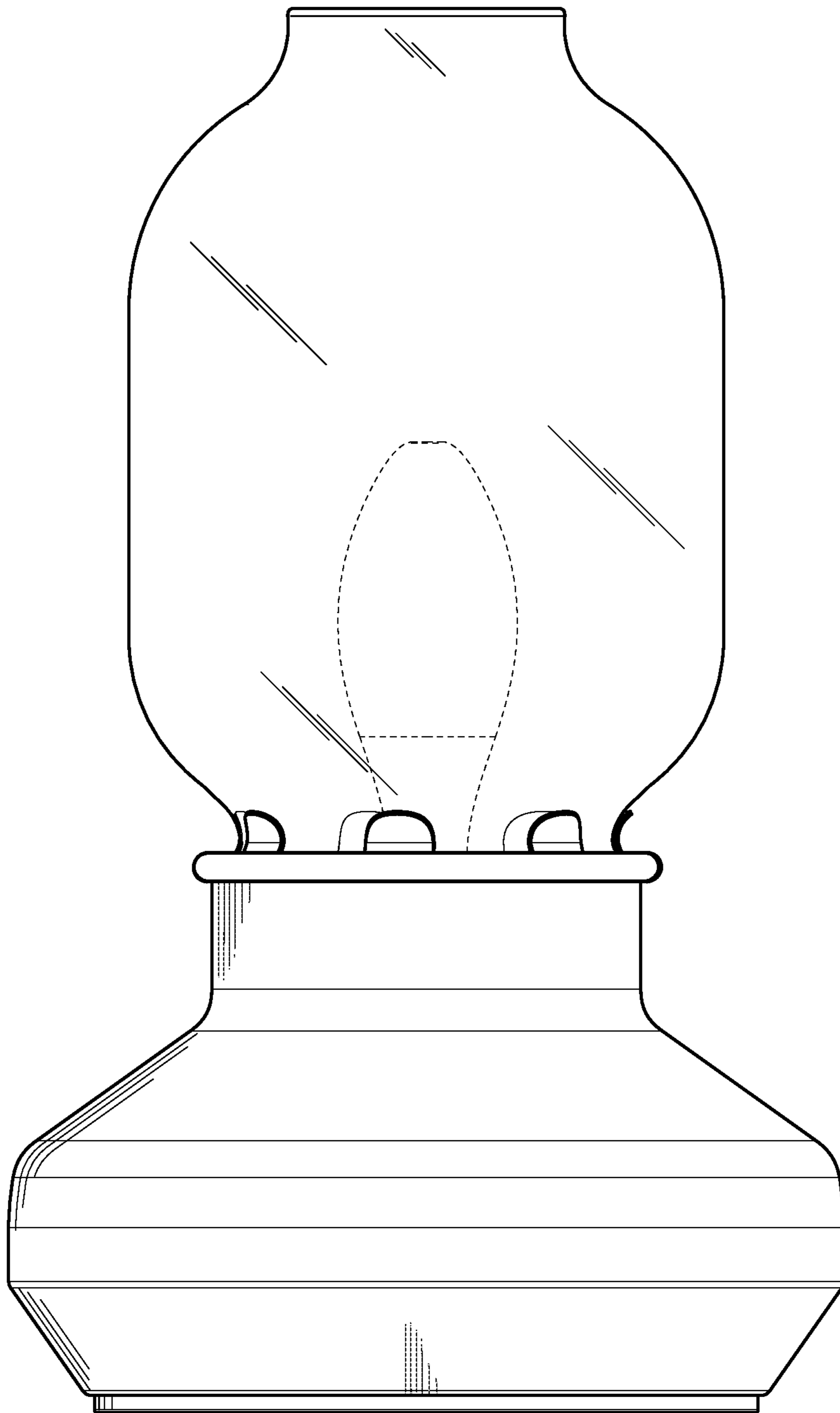


FIG. 5

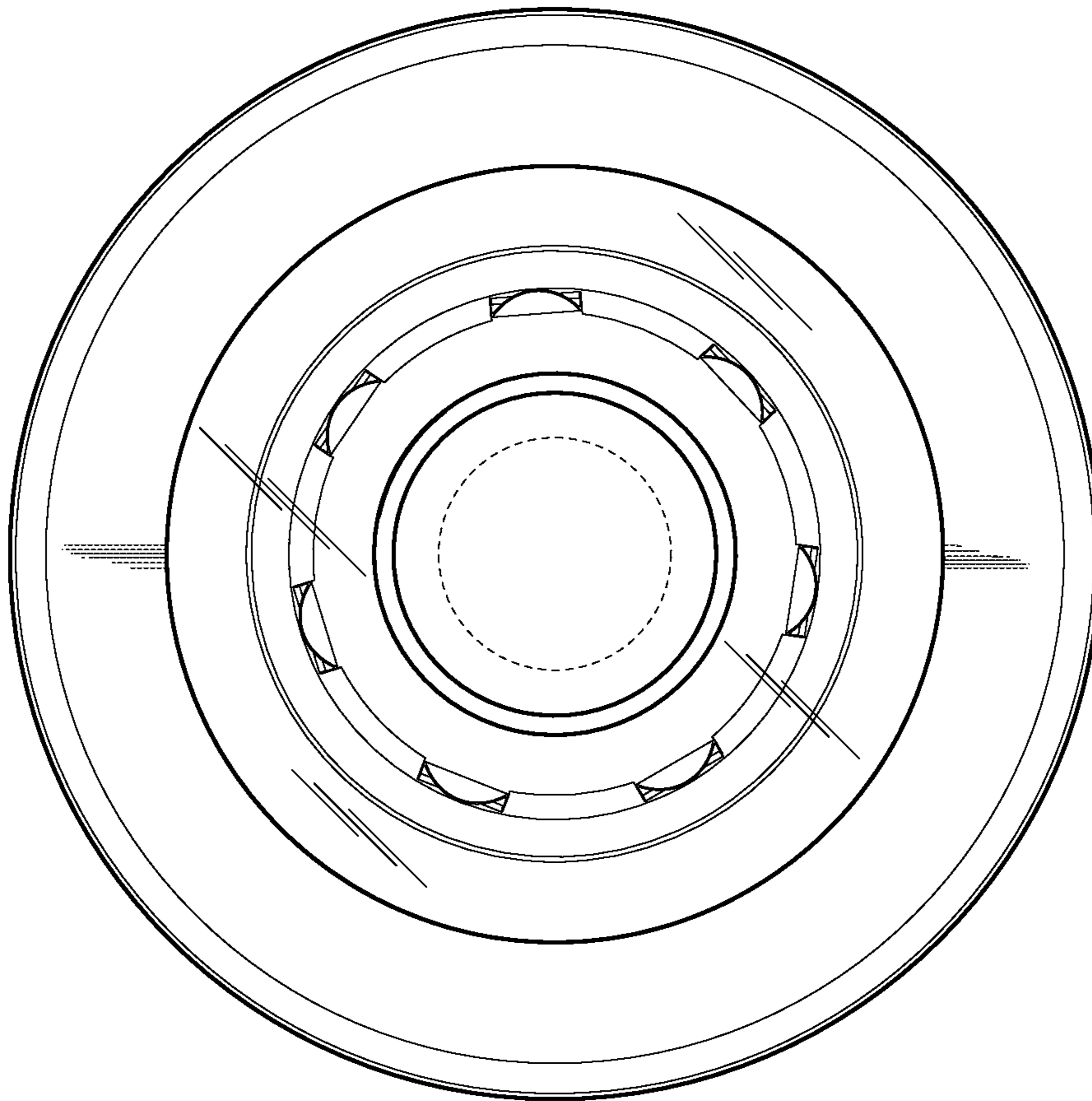


FIG. 6

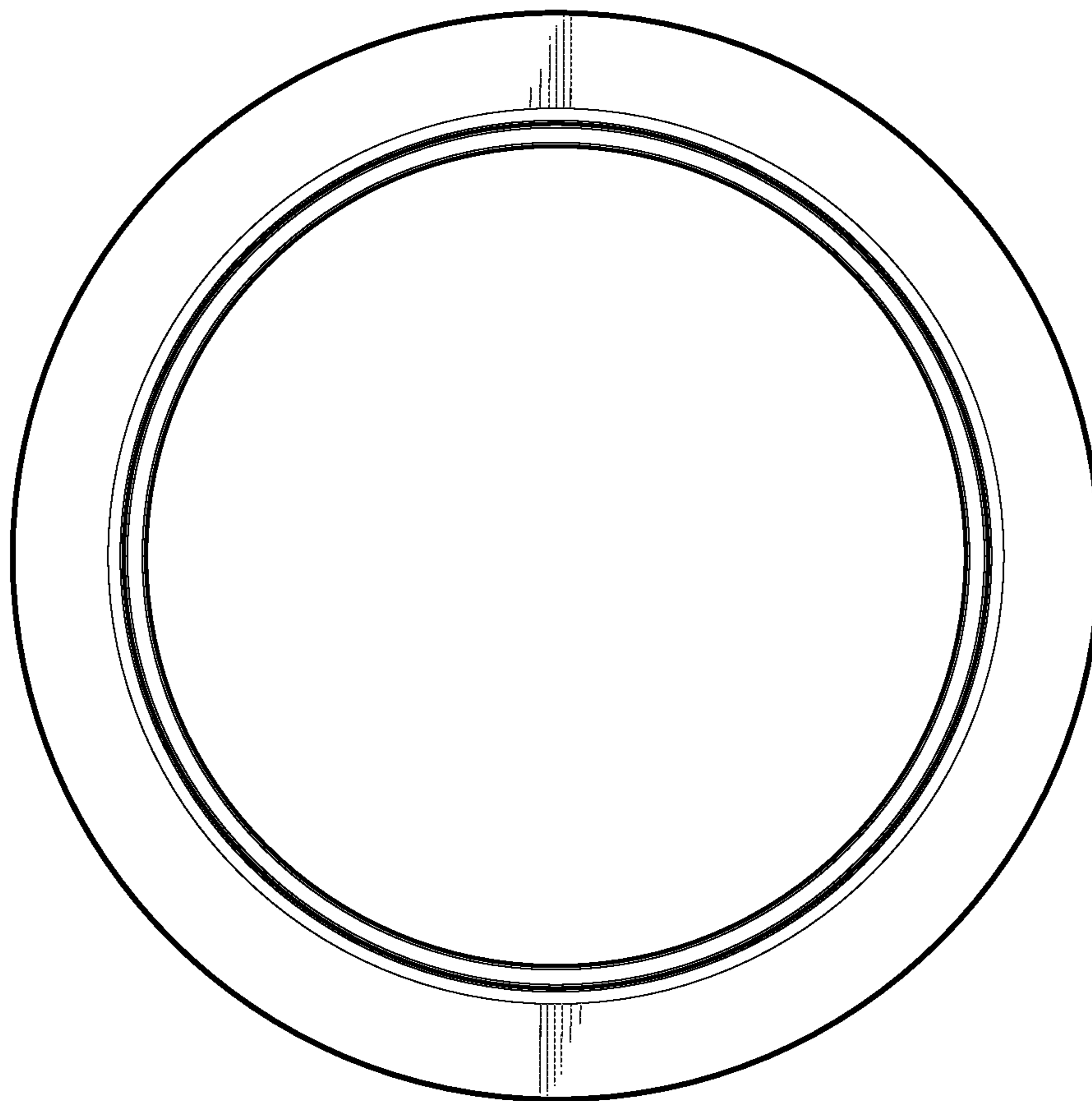


FIG. 7