



US00D885640S

(12) **United States Design Patent**
Civelekoglu et al.

(10) **Patent No.:** **US D885,640 S**
(45) **Date of Patent:** **** May 26, 2020**

(54) **LAMP ASSEMBLY**

(71) Applicant: **Casper Sleep Inc.**, New York, NY (US)

(72) Inventors: **Defne Civelekoglu**, San Francisco, CA (US); **Gen Suzuki**, Kanagawa (JP); **Jordan Lay**, San Francisco, CA (US); **Shail Shah**, Oakland, CA (US)

(73) Assignee: **Casper Sleep Inc.**, New York, NY (US)

(**) Term: **15 Years**

(21) Appl. No.: **29/667,664**

(22) Filed: **Oct. 23, 2018**

(51) **LOC (12) Cl.** **26-05**

(52) **U.S. Cl.**
USPC **D26/104**

(58) **Field of Classification Search**
USPC D26/1, 24, 40, 88, 93, 96, 104, 105, 106,
D26/107, 108, 109, 110, 128; D14/172,
D14/188, 496, 509

(Continued)

(56) **References Cited**

U.S. PATENT DOCUMENTS

1,893,548 A 1/1933 Hardy
D107,880 S 1/1938 Marsack

(Continued)

FOREIGN PATENT DOCUMENTS

CN 102822224 12/2012
CN 203328338 12/2013

(Continued)

OTHER PUBLICATIONS

International Search Report, Written Opinion of ISA and Search History, PCT/US2015/026564, dated Aug. 31, 2015. (19 pages).

(Continued)

Primary Examiner — Wan Laymon

Assistant Examiner — Clint A Samuel

(74) *Attorney, Agent, or Firm* — Koffsky Schwalb LLC; Mark I. Koffsky

(57) **CLAIM**

The ornamental design for a lamp assembly, as shown and described.

DESCRIPTION

FIG. 1 is a perspective view of a lamp assembly in accordance with the present invention, shown without its lamp base for ease of illustration

FIG. 2 is a top view thereof.

FIG. 3 is a bottom view thereof.

FIG. 4 is a front view thereof.

FIG. 5 is a rear view thereof.

FIG. 6 is a left view thereof.

FIG. 7 is a right view thereof.

FIG. 8 is a perspective view of a lamp assembly in accordance with the present invention, shown without its lamp for ease of illustration.

FIG. 9 is a top view thereof.

FIG. 10 is a bottom view thereof.

FIG. 11 is a front view thereof.

FIG. 12 is a rear view thereof.

FIG. 13 is a left view thereof.

FIG. 14 is a right view thereof.

FIG. 15 is a perspective view of a lamp assembly in accordance with the present invention.

FIG. 16 is a top view thereof.

FIG. 17 is a bottom view thereof.

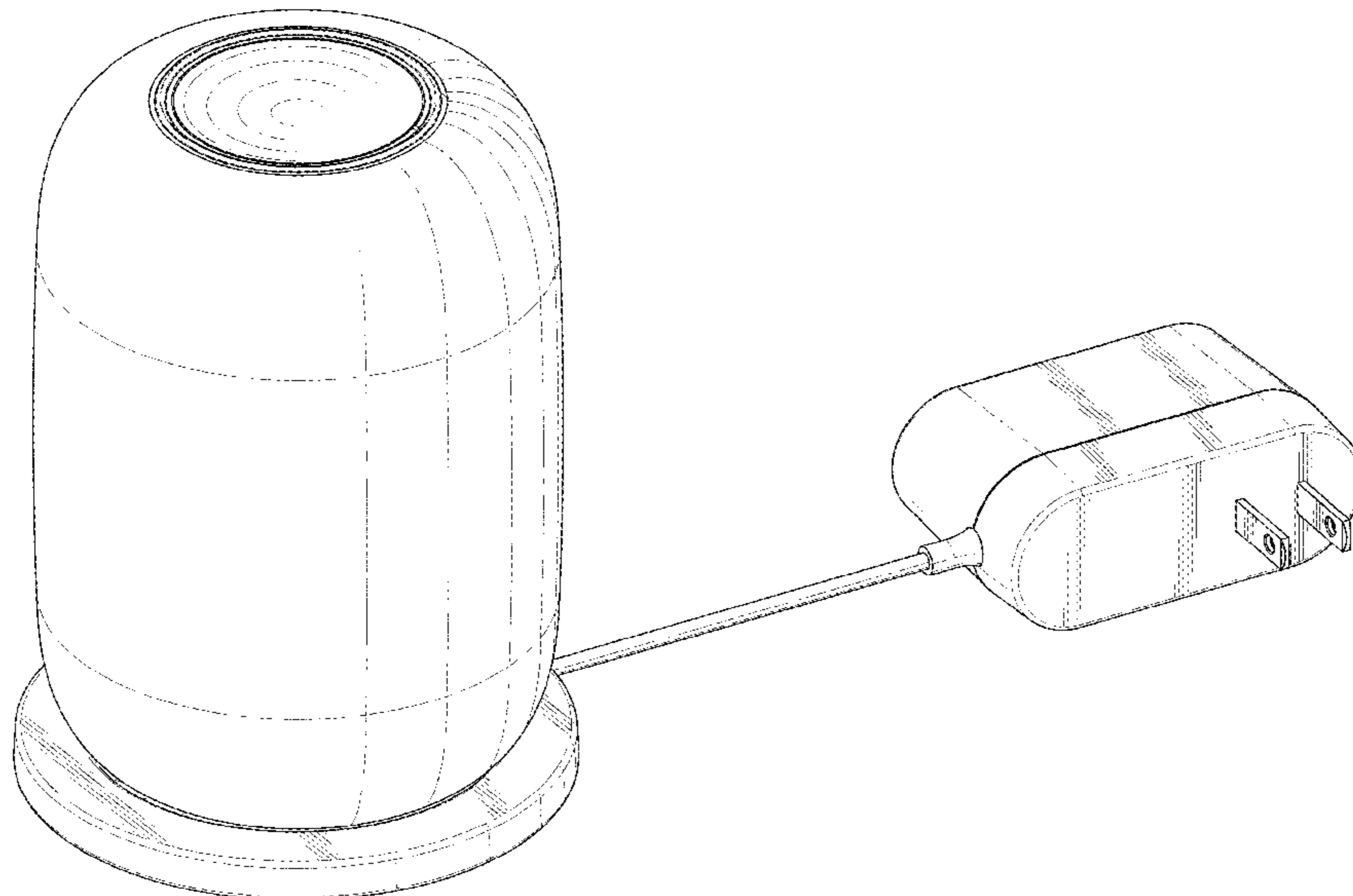
FIG. 18 is a front view thereof.

FIG. 19 is a rear view thereof.

FIG. 20 is a left view thereof; and,

FIG. 21 is a right view thereof.

1 Claim, 18 Drawing Sheets



(58) **Field of Classification Search**

CPC F21S 6/00; F21S 6/002; F21S 6/003; F21S 6/004; F21S 6/005; F21S 6/006; F21S 6/007; F21S 8/035; F21S 8/063; F21V 15/01; F21V 15/012; F21V 21/06; F21V 21/08; F21V 33/00; F21V 33/0024; F21V 33/0048; F21V 33/0056; F21W 2131/30; F21W 2131/40; F21W 2131/301

See application file for complete search history.

(56) **References Cited**

U.S. PATENT DOCUMENTS

2,399,235	A	4/1946	Leslie	
2,399,625	A	4/1946	Leslie	
3,400,413	A	9/1968	La Grossa	
D256,734	S	9/1980	Riley	
5,023,970	A	6/1991	Tesch	
5,219,307	A	6/1993	Morrison	
5,291,625	A	3/1994	Leslie	
5,294,181	A	3/1994	Rose	
5,561,876	A	10/1996	Petruzella	
6,175,890	B1	1/2001	Yamaura	
6,175,980	B1	1/2001	Gaither	
6,301,730	B1	10/2001	Delfs	
6,305,317	B1	10/2001	Spiegel	
D486,877	S	2/2004	Peterson	
D487,207	S	3/2004	Manuel	
6,983,500	B2	1/2006	Wootten	
D525,740	S *	7/2006	Parker	D26/104
D551,704	S	9/2007	Nakamura	
D581,713	S	12/2008	Berke	
7,530,127	B2	5/2009	Leifermann	
7,614,362	B2	11/2009	Dunn	
D605,337	S *	12/2009	Zhang	D26/93
7,788,750	B2	9/2010	Norstrem	
D629,150	S *	12/2010	Douloubakas	D26/93
D639,492	S *	6/2011	Lee	D26/93
8,051,514	B2	11/2011	Yarmer	
D664,303	S	7/2012	Chauncey	
8,245,339	B2	8/2012	Murray	
D674,644	S	1/2013	Stewart	
D675,855	S	2/2013	Reeves	
D679,870	S	4/2013	Williams	
D694,746	S *	12/2013	Akana	D14/314
D696,044	S	12/2013	Robilotto	
D702,971	S	4/2014	Mitchell	
D702,972	S	4/2014	Busch	
D722,239	S	2/2015	Russell	
8,959,683	B2	2/2015	Rochlin	
D723,304	S	3/2015	Chang	
D724,254	S *	3/2015	Sun	D26/101
D725,832	S	3/2015	Coulter	
D731,209	S	6/2015	Fux	
9,085,125	B2	7/2015	Gesquière	
D747,899	S	1/2016	Klein	
D770,672	S *	11/2016	Ju	D26/128
D773,209	S	12/2016	Jaigobin	
D776,960	S	1/2017	Suzuki	
D779,856	S	2/2017	Rich	
D785,370	S	5/2017	Randall	
D791,494	S	7/2017	Bosch	
D796,725	S *	9/2017	Recker	D26/104
D798,077	S	9/2017	Schmitt	
D802,324	S	11/2017	Bucove	
D812,643	S *	3/2018	Akana	D14/496
D815,335	S *	4/2018	Lin	D26/110
D843,418	S *	3/2019	Demin	D14/496
D848,051	S *	5/2019	Huang	D26/104
D850,682	S *	6/2019	DeBrunner	D26/40
D860,257	S *	9/2019	Akana	D14/496
D861,227	S *	9/2019	Sonneman	D26/88
D861,964	S *	10/2019	Lin	D26/110
D863,356	S *	10/2019	Akana	D14/496
2003/0181538	A1	9/2003	Martel	
2003/0233706	A1	12/2003	Birch	

2004/0154101	A1	8/2004	Digirolamo	
2005/0210595	A1	9/2005	Di Stasio	
2006/0046024	A1	3/2006	Huntley	
2006/0272582	A1	12/2006	Dunn	
2007/0040424	A1	2/2007	Neustat	
2007/0226911	A1	10/2007	Gladney	
2007/0273539	A1	11/2007	Gananathan	
2008/0010751	A1	1/2008	Kemper	
2008/0127897	A1	6/2008	Flannery	
2009/0089933	A1	4/2009	Letton	
2009/0106894	A1	4/2009	Yeo	
2009/0151072	A1	6/2009	Jones, III	
2009/0172881	A1	7/2009	Peterson	
2010/0058541	A1	3/2010	Kemper	
2010/0087561	A1	4/2010	Abraham	
2010/0160473	A1	6/2010	Neff	
2010/0205738	A1	8/2010	Pollack	
2010/0269262	A1	10/2010	Warren	
2011/0061168	A1	3/2011	Farley	
2011/0067183	A1	3/2011	Hawkins	
2011/0154576	A1	6/2011	Warren	
2011/0252572	A1	10/2011	Morrison	
2011/0290834	A1	12/2011	Pelz	
2012/0001548	A1	1/2012	Recker	
2013/0247828	A1	9/2013	Tedaldi	
2013/0263377	A1	10/2013	Wootten, Jr.	
2013/0263386	A1	10/2013	Romero	
2014/0039082	A1	2/2014	Peterson	
2014/0059765	A1	3/2014	Harris	
2014/0082846	A1	3/2014	Blazar	
2014/0099468	A1	4/2014	Cai	
2014/0130255	A1	5/2014	Montano, Jr.	
2014/0189955	A1	7/2014	Alletto, Jr.	
2014/0208517	A1	7/2014	Gross	
2014/0227552	A1	8/2014	Lau	
2014/0230735	A1	8/2014	Coulter	
2014/0250596	A1	9/2014	De La Place	
2014/0283303	A1	9/2014	Rochlin	
2015/0000042	A1	1/2015	Randall	
2015/0074911	A1	3/2015	Dungan	
2015/0135435	A1	5/2015	Ueda	
2015/0296995	A1	10/2015	Krim	
2016/0169490	A1	6/2016	Kijima	
2016/0224750	A1	8/2016	Kethman	
2017/0172240	A1	6/2017	Massey	
2019/0230434	A1 *	7/2019	Stanley	H04R 7/127

FOREIGN PATENT DOCUMENTS

DE	10311434	9/2004
GB	1572763	8/1980
GB	2369569	6/2002
WO	2013157534	10/2013
WO	2014105687	7/2014
WO	2019089830	A1 5/2019

OTHER PUBLICATIONS

Communication from Thomas Petr received in PCT/US2015/026564, dated Feb. 27, 2016. (1 page).

Supplementary Partial European Search Report for EP 15 78 3835 dated Nov. 14, 2017 (14 pages).

Dormia Website Existing at Least as Early as Jun. 14, 2008. (2 pages).

Specification and Build Sheet for Dormia Radiance Mattress dated Jun. 14, 2007. (2 pages).

Correspondence Regarding Distribution of Dormia Radiance Mattress, Authored by Classic Brands, LLC, dated Nov. 1, 2007. (1 pg).

Casper Pillow review. Sleepopolis. Published on Jan. 22, 2016. Website found at: <https://www.youtube.com/watch?v=h4AhiXbEO3U>. (15 pages).

Third-Party Submission Under 37 CFR 1.290 dated Jun. 14, 2016 in U.S. Appl. No. 14/689,945. (15 pages).

Third-Party Submission Under 37 CFR 1.290 dated Jun. 27, 2016 in U.S. Appl. No. 14/689,945. (11 pages).

(56)

References Cited

OTHER PUBLICATIONS

Third-Party Submission under 37 CFR 1.290 mailed on Jun. 10, 2016 in U.S. Appl. No. 14/689,945. (9 pages).

Chewy Casper Memory Foam Dog Bed Aug. 28, 2017 [site visited Jan. 23, 2018] Available from Internet URL: <<https://www.chewy.com/casper-memory-foam-dog-bed-medium/dp/155149>>—(7 pages).

Groupon Water-Resistant Orthopedic Foam Pet Crate Mats, announced 2018 [online], [site visited Jan. 22, 2018] Available from Internet URL: <<https://www.groupon.com/latest-deals/gg-waterresistant-orthopedic-foam-pet-crate-mats>>. (2 pages).

Unboxing and Setting Up a Casper Dog Bed, announced Sep. 14, 2016 [online], [site visited Jan. 23, 2018] Available from Internet URL: <<https://www.youtube.com/watch?v=fAEKTatzCTA>> at approximately 0:48. (1 page).

The Casper Dog Mattress In-depth Review Demo, announced Feb. 15, 2017 [online], [site visited Jan. 23, 2018] Available from Internet URL: <https://www.youtube.com/watch?v=jRqVxs_M35g> at approximately 2:39. (1 page).

EZ Wash Fleece Lounger Poly-Filled Dog Bed, [site visited Jan. 23, 2018] Available from Internet URL: <<https://www.wayfair.com/pet/pdp/3-dog-pet-supply-ez-wash-fleecelounger-poly-filled-dog-bed-dpsp1004.html?piid=18825537>>. (3 pages).

Luca Crate Cuddler, announced Jul. 15, 2016 [online], [site visited Jan. 23, 2018] Available from Internet URL: <<https://www.youtube.com/watch?v=4HeVQP2Z86E>> at approximately 0:05. (1 page).

AmazonBasics Padded Pet Bolster Bed, accessed Sep. 16, 2016. (https://www.amazon.com/AmazonBasics-Padded-Pet-Bolster-Bed/dp/B00QHC06UO-?ie=UTF8&keywords=dog%20bed&qid=1459134598&ref=sr_1_11&refinements=p_n_feature_keywords_two_browse-bin%3A8002501011%7C8002502011%7C8002503011&s=pets-supplies&sr=1-11) (6 pages).

PetCo Sweet Dreams Rectangular Bolster Dog Bed, accessed Sep. 16, 2016 (<http://www.petco.com/shop/en/petcostore/dog/dog-beds-and-bedding/dog-bed-s/sweet-dreams-rectangular-bolster-dog-bed>) (2 pages).

Round Orvis Dog's Nest, accessed Sep. 16, 2016, (<http://www.orvis.com/p/round-orvis-dogs-nest/1h0I>) (2 pages).

Frontgate Huggy Nest Pet Bed, accessed Sep. 16, 2016 (<http://www.frontgate.com/huggy-nest-pet-bed/pet-products/pet-bedsblankets-throws/bolster-pet-beds/802099>), (2 pages).

Petsmart K&H Classy Lounger Pet Bed, accessed Sep. 16, 2016. (http://www.petsmart.com/dog/beds/k-h-classy-lounger-petbed-zid36-26968/-cat-36-catid-100063?var_id=36-26968), (1 page).

Browsers Super Loft Rectangle Avalon, accessed Sep. 16, 2016 (<http://www.browsers.com/pet-beds/super-loft-rectangle/superloft-rectangle-avalon.html>) (1 page).

Petco K&H Deluxe Ortho Bolster Sleeper Dog Bed, accessed Sep. 16, 2016 (<http://www.petco.com/shop/en/petcostore/dog/dog-beds-and-bedding/dog-bed-s/kandh-deluxe-ortho-bolster-sleeper-dog-bed-in-eggplant-withpaw-prints#>) (2 pages).

L.L.Bean Premium Denim Dog Bed Set, Rectangular, accessed Sep. 16, 2016 (<http://www.llbean.com/llb/shop/44560?feat=507408-GN2&page=premium-denim-dog-bed-set-rectangular>) (3 pages).

Amazon Stainmaster Comfy Couch Pet Bed, accessed Sep. 16, 2016 (https://www.amazon.com/STAINMASTER-Comfy-Couch-Large-Olive/dp/B00LQZ18XQ?ie=UTF8&keywords=dog%20bed&qid=1459135646&ref=sr_1_426&refinements=p_n_feature_keywords_two_browse-bin%3A8002501011%7C8002502011%7C8002503011&s=pets-supplies&sr=1^26) (8 pages).

Jax & Bones Donut Bed, accessed Sep. 16, 2016 (<https://www.jaxandbones.com/products/bedding/donut/licorice-donut-bed>) (3 pages).

Petsmart Carolina Pet Orthopedic Comfort Couch, accessed Sep. 16, 2016. http://www.petsmart.com/dog/beds/carolina-petorthopedic-comfort-couch-personalized-pet-bed-zid36-5591/cat-36-catid-100063?var_id=36-5591) (2 pages).

Lux Premium Dog Bed, accessed Sep. 16, 2016 (<http://godogbeds.com/product/sample-product-2/>) (1 page).

Frontgate Urban Denim Lounger Pet Bed, accessed Sep. 16, 2016 (<http://www.frontgate.com/urban-denim-lounger-pet-bed/pet-products/pet-beds-blankets-throws/bolster-beds/451775>) (3 pages).

Browsers Donut Bed, accessed Sep. 16, 2016 (<http://www.browsers.com/pet-beds/donut-beds/donut-bed-nickel-weave.html>) (1 page).

L.L.Bean Premium Dog Couch, accessed Sep. 16, 2016 (<http://www.llbean.com/llb/shop/66388?feat=507408-GN2&page=premium-dog-couch>) (3 pages).

Jax & Bones Sleeper Bed, accessed Sep. 16, 2016 (<https://www.jaxandbones.com/products/bedding/sleeper/tweed-cremesleeper-bed>), (2 pages).

Orvis ToughChew Dog Bed with Polyester Fill, accessed Sep. 16, 2016 (<http://www.orvis.com/p/toughchew-rectangle-dogbed/0h4c>) (2 pages).

Orvis Wraparound Fleece Dog Bed with Memory Foam, accessed Sep. 16, 2016 (<http://www.orvis.com/p/wraparound-fleecedog-bed/2es4>) (2 pages).

Orvis Deep Dish Dog Bed with Memory Foam, accessed Sep. 16, 2016 (<http://www.orvis.com/p/deep-dish-dog-bed/2c9b>) (2 pages).

Browsers Urban Lounger, accessed Sep. 16, 2016 (<http://www.browsers.com/pet-beds/urban-lounger/urban-loungereverest.html>) (1 page).

Doca pet Zz Bed, accessed Sep. 16, 2016 (<https://www.docapet.com/product/zz-bed/>) (2 pages).

Jax & Bones Memory Foam Bed, accessed Sep. 16, 2016 (<https://www.jaxandbones.com/products/bedding/memory-foam/juniper-memory-foam-pillow>) (2 pages).

Orvis Tempur-Pedic.RTM. Deep Dish Dog Bed, accessed Sep. 16, 2016. (<http://www.orvis.com/p/orvis-tempur-pedic-deepdish-dog-bed/2gr6>) (2 pages).

World of Angus Dog Bed, accessed Sep. 16, 2016, (<http://worldofangus.com/collections/the-dog-bed-collection/products/the-dog-bed>) (4 pages).

Howlspot My Territory, accessed Sep. 16, 2016. (http://www.howlspot.com/product/detail.html?product_no=30&cate_no=1&display_group=2) (9 pages).

Love Thy Beast Flip Stitch Bed, accessed Sep. 16, 2016 (<http://www.lovethebeast.com/collections/sleep/products/flip-stitchbed-grey-blacblack>) (7 pages).

Shinola Dolostone Dog Bed, accessed Sep. 16, 2016 (<http://www.shinola.com/shop/pet-accessories/dolostone-dogbed.html#color=Ashen%220Gray>) (2 pages).

Ruffler Urban Sprawl, accessed Sep. 16, 2016 (<http://www.ruffwear.com/Urban-Sprawl-Plush-Dog-Bed?sc=2&category=17>) (2 pages).

Marlon Pilvi Cushion http://en.marlonshop.com/product/Pilvi-Cushion/50/?cate_no=1&display_group=2), accessed Sep. 16, 2016 (13 pages).

Downlite Downlite Dream Naturally 300 Thread Count Wool Down Comforter, accessed Jul. 13, 2017 (www.sears.com/downlite-dream-naturally-300-thread-countwool/)-

0000000000000020571000000000000362141P?plpSellerId=

Overstock.com&prdNo=12&blockNo=12&blockType=G 12) (4 pages).

Organic Wool Toddler Pillow, All Natural & 100% GOTS Certified Pure Organic, Wool 'Pearls' accessed Jul. 13, 2017 (<https://www.amazon.com/Organic-Certified-Antibacterial-Hypoallergenic-Toddlers/dp/B00P6SKT7K>) (2 pages).

700 Fill Power Temperature Regulating Down Comforter accessed Jul. 13, 2017 (<https://www.cuddledown.com/itemdy00.aspx?ID=70,3276&T1=Z1087+100+10+01>) (12 pages).

HobbsWL90 Count Batting Heirloom Wool, 90"×108" accessed Jul. 13, 2017 (https://www.amazon.com/Hobbs-WL90-Count-Batting-Heirloom/dp/B0063G013G/ref=sr_1_9?e=UTF8&qid=1497374885&sr=8-9&keywords=wool+batting) (1 page).

10" Sewn—Thru Boxstitch PrimaSera Down Alternative DUVET INSERT, Tc 230 accessed Jul. 13, 2017 (<http://hotelsuppliesdepot.com/10-Sewn-Thm-Boxstitch-PrimaSera-Down-Alternative-DUVET-INSERTTc-230-j 409.html>) (1 page).

Badenia 3649730149 Bettcomfort Steppbett, 4-Jahreszeiten, Micro Thermo, 155×220 cm, weiB accessed Jul. 13, 2017 (https://www.amazon.de/Badenia-Bettcomfort-03649730149^-Jahreszeiten-Steppbett-Thermo/dp/B00261BFN0/ef=sr_1_5?kitchen&ie=UTF8&qid=1460493398&sr=1-5) (1 page).

Office Action and Search Report for China Patent Application No. 201580019495.5 dated May 3, 2018 (12 pages).

How to set up your dog mattress, no date available (1 page).

Amazon Basics Padded Pet Bolster Bed (https://www.amazon.com/AmazonBasics-Padded-Pet-Bolster-Bed/dp/B00QHC06UO-?ie=UTF8&keywords=dog%20bed&qid=1459134598&ref=sr_1_11&refinements=

(56)

References Cited

OTHER PUBLICATIONS

pn feature keywords two browse-bin%3A8002501011%7C8002502011%7C8002503011 &s=pets-supplies&sr=1 -11), accessed Sep. 16, 2016 (6 pages).

PetCo Sweet Dreams Rectangular Bolster Dog Bed [http://www.petco.com/shop/en/pet\(X\)store/dog/dog-beds-an/log-bed](http://www.petco.com/shop/en/pet(X)store/dog/dog-beds-an/log-bed), accessed Sep. 16, 2016 (2 pages).

Browsers Urban Lounger (<http://www.browsers.com/pet-beds/urban-lounger/urban-lounger-everest.html>), accessed Sep. 16, 2016 (1 page).

Howlspot My Territory (http://www.howlspot.com/product/detail.html?product_no=30&cate_no=1&display_group=2), accessed Sep. 16, 2016 (9 pages).

Ruffler Urban Sprawl <http://www.rufiwear.com/Urban-Sprawl-Plush-Dog-Bed?sc=2&category=17>), accessed Sep. 16, 2016 (2 pages).

Design Within Reach, Min Bed, http://www.dwr.com/bedroom-beds/min-bed/6348.html?lang=en_US (accessed May 23, 2018) (19 pages).

Extended European Search Report issued in EP18192998.5, dated Nov. 20, 2018, 8 pages.

International Search Report and Written Opinion for PCT/US18/46573 dated Oct. 22, 2016, 23 pages.

Office Action dated Mar. 20, 2019 for U.S. Appl. No. 15/611,902 (pp. 1-16).

Japanese Office Action (with English language translation) for Application No. 2017-507687, dated Apr. 2, 2019, 9 pages.

International Search Report and Written Opinion for PCT/US19/12582, dated Apr. 25, 2019, 14 pages.

Dodow "Product Guide" purchased 2018 (13 pages).

Fivefive S.A.S. "HOLI The Little Book to Sleep and Wake Up Bright" purchased in 2018 (6 pages).

Fivefive S.A.S. "Manual Multilanguage v2.1" Copyright 2013 (7 pages).

General Electric Company "C-Sleep" product packaging Purchase date unknown (2 pages).

General Electric Company Product Guide for GE Sol Lamp purchased 2018 (9 pages).

International Search Report, Written Opinion of ISA, PCT/US2019/12582 dated Apr. 25, 2019 (14 pages).

Koninklijke Philips N.V. "Philips HealWell White paper" 2014 (12 pages).

Koninklijke Philips N.V. "Philips Lighting University—Connecting LEDs A Quick Reference Guide" 2014 (77 pages).

Lighting Science "Awake & Alert Biological lights" LED-product packaging Purchase date unknown (3 pages).

NOX "User Manual for Smart Sleep Light Sleepace" (12 pages).

Pablo Design "UMA Setup Guide & Owners Manual" purchased 2017 (8 pages).

Philips "Hue Personal Wireless Lighting Get started with Philips Hue" brochure purchased 2017 (6 pages).

Philips "Hue Personal Wireless Lighting" pamphlet Purchased 2017 (2 pages).

Philips "Wake-up Light" product packaging Purchase date unknown (1 page).

Philips Lighting Holding B.V. "Hue Personal Wireless Lighting" product packaging 2016 (2 pages).

Philips Lighting Holding B.V. "User manual" Jan. 30, 2017 (2 pages).

Twist Product Guide purchased 2017 (2 pages).

Up Light Corp. "Smart Wake Up Light" product packaging Purchase date unknown (2 pages).

Wout van Bommel, et al., Koninklijke Philips Electronics N.V. "Lighting Hardware" Copyright 2011 (107 pages).

* cited by examiner

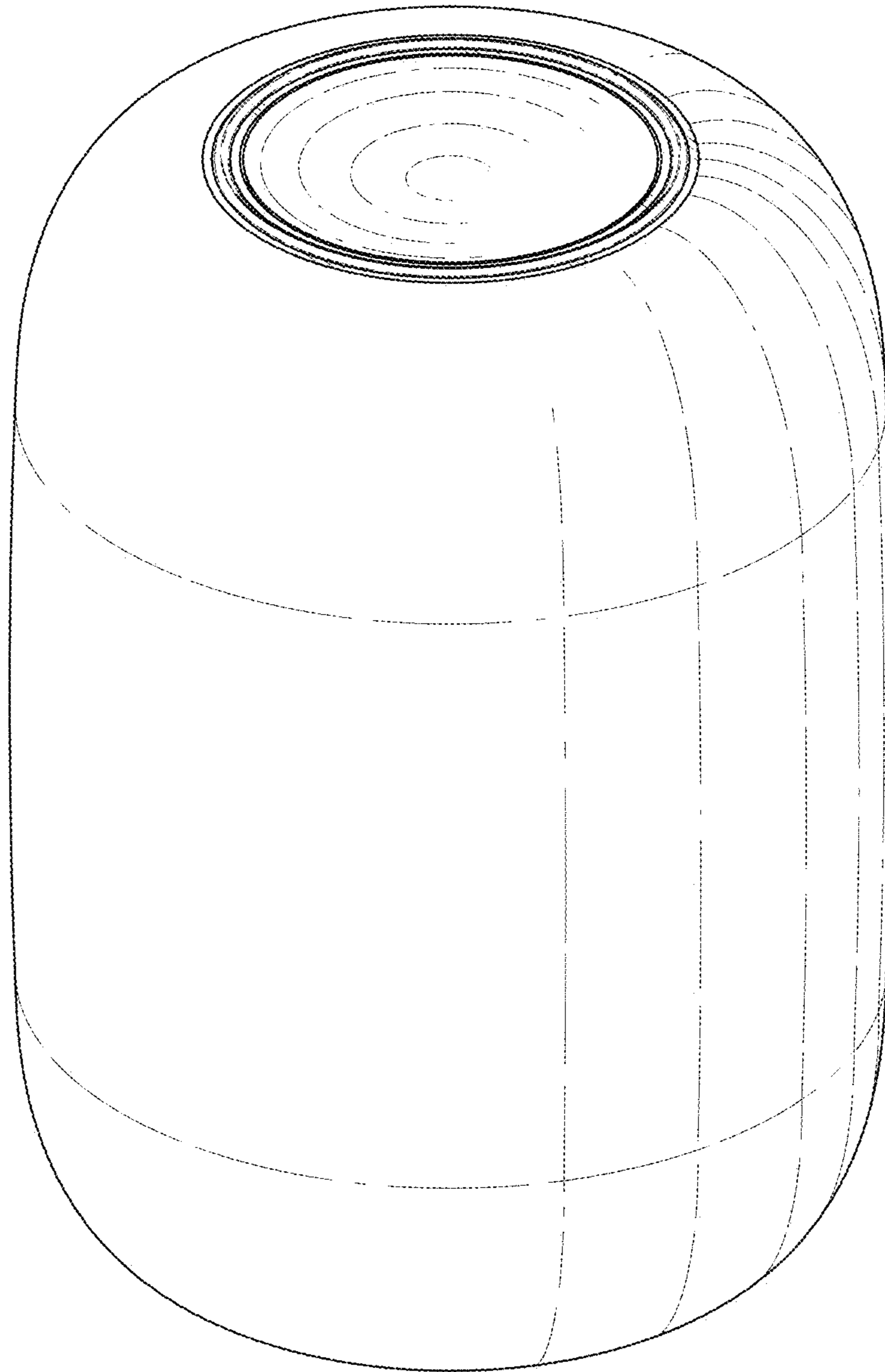


FIG. 1

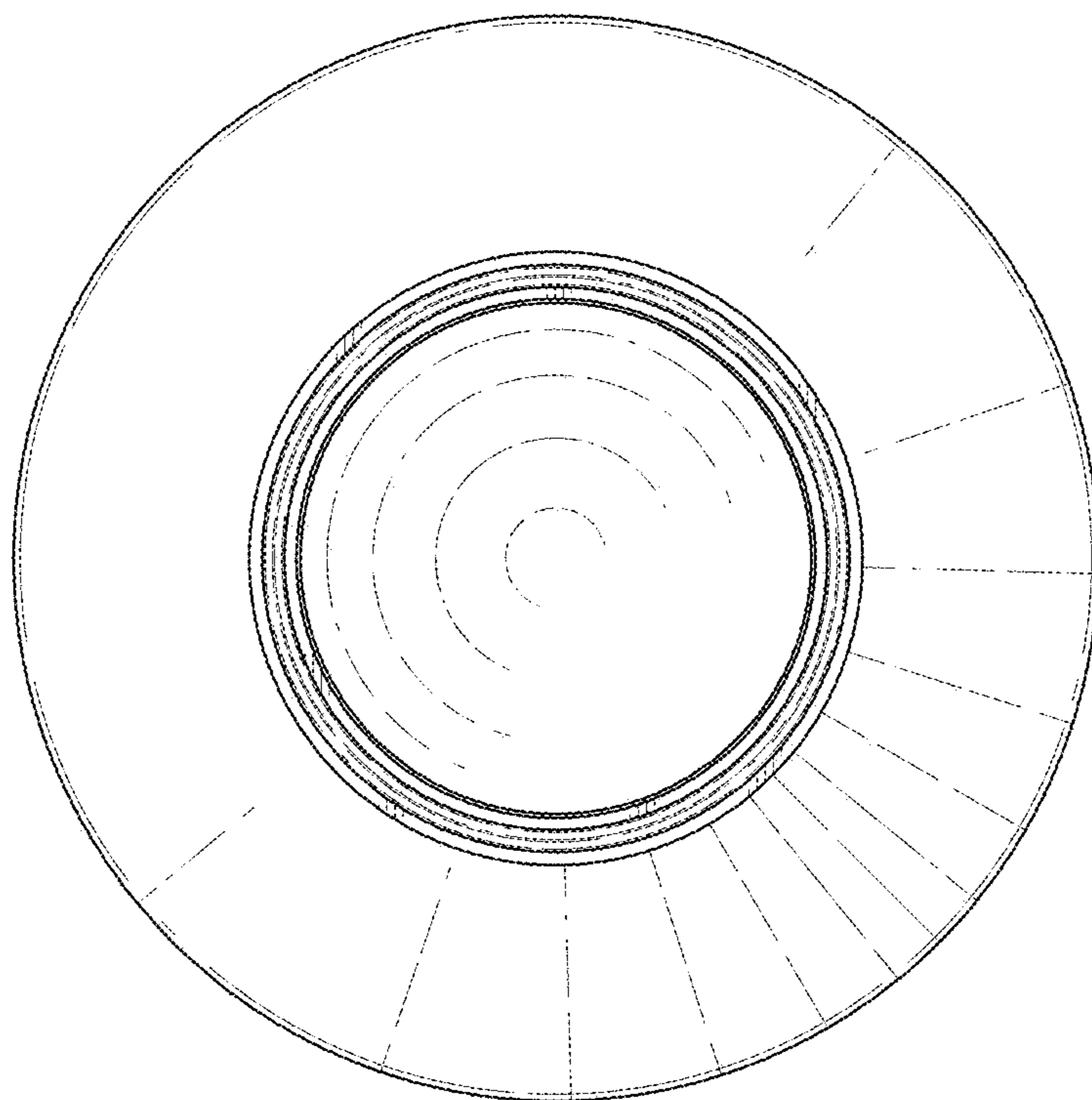


FIG. 2

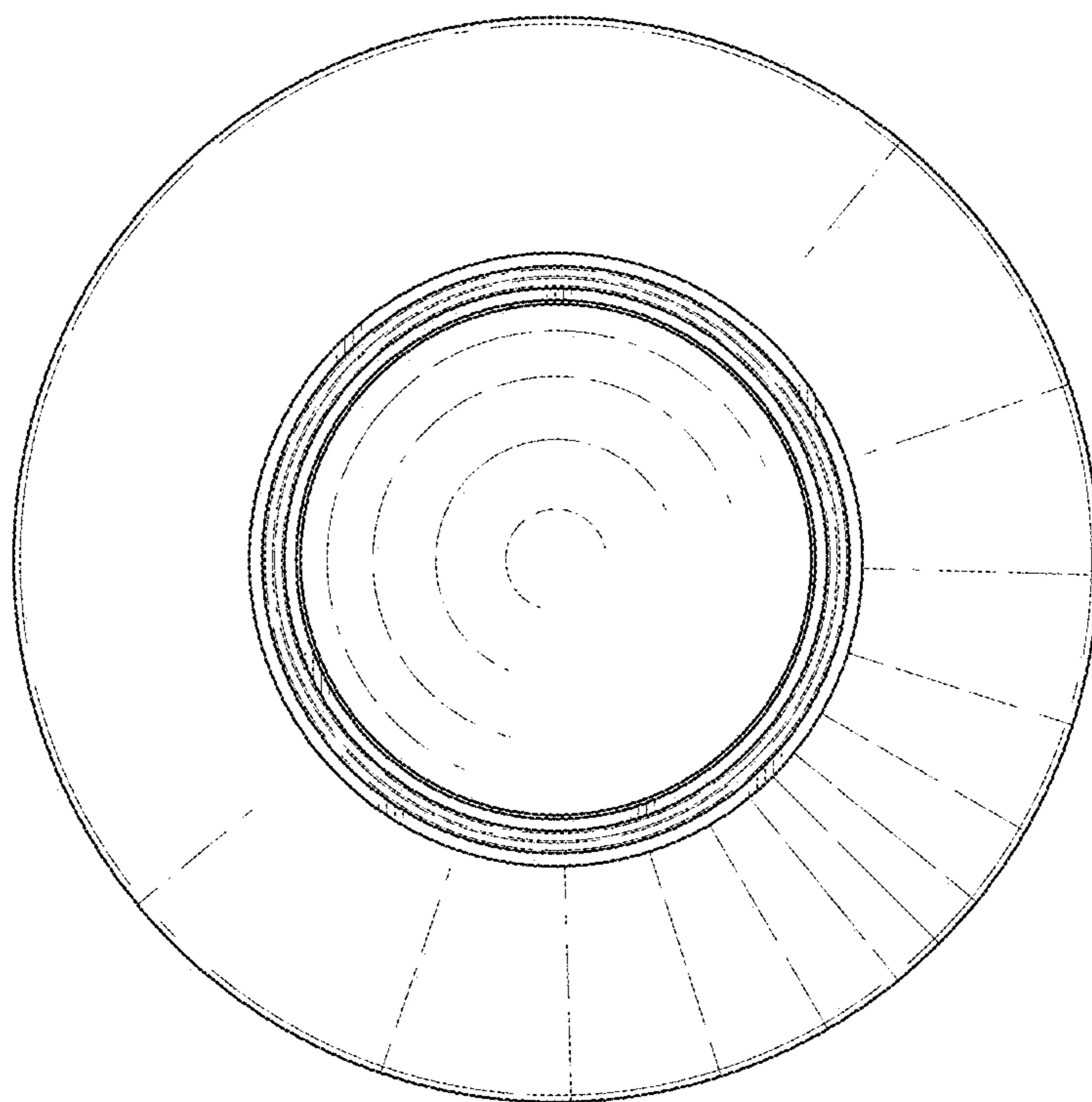


FIG. 3

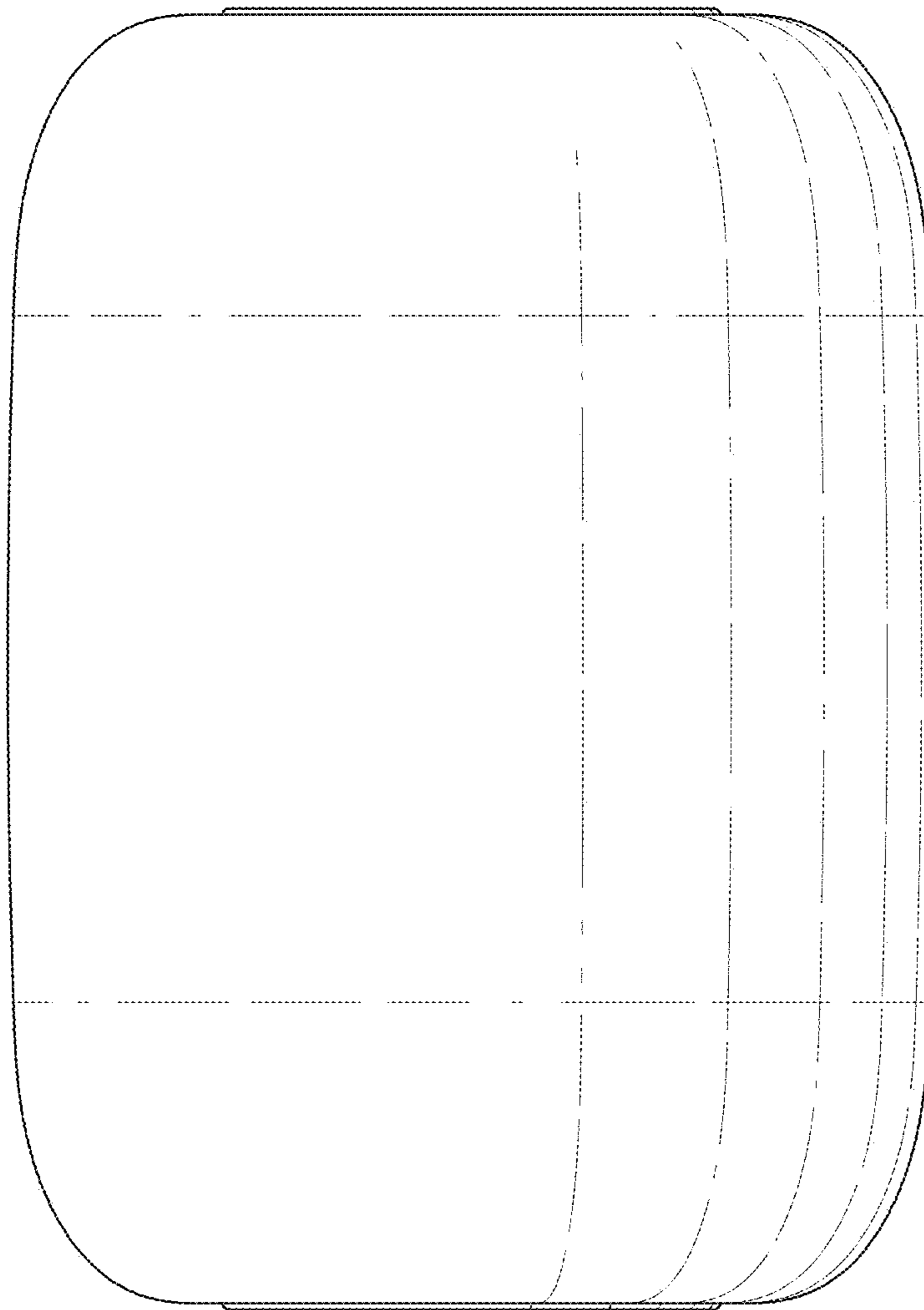


FIG. 4

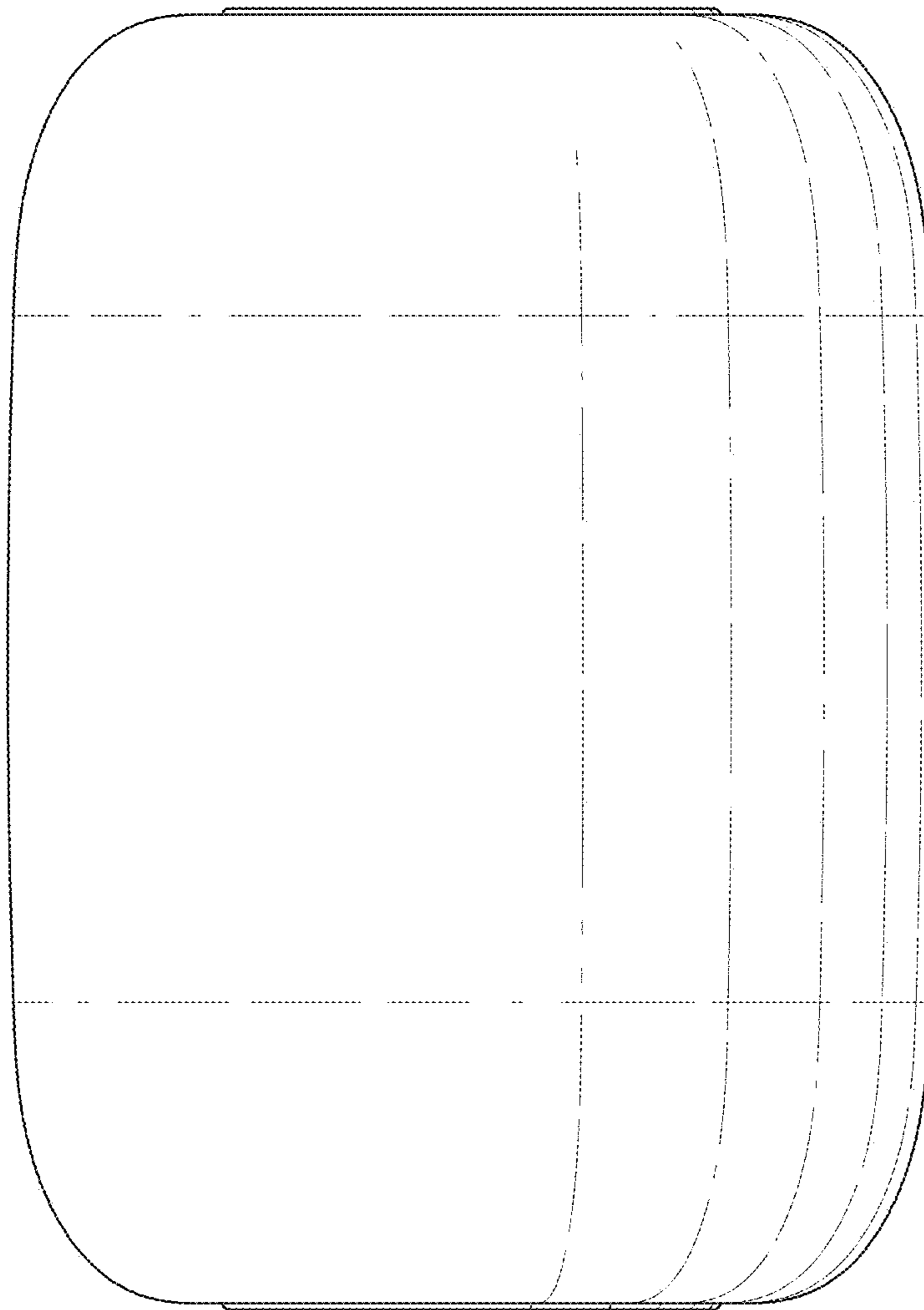


FIG. 5

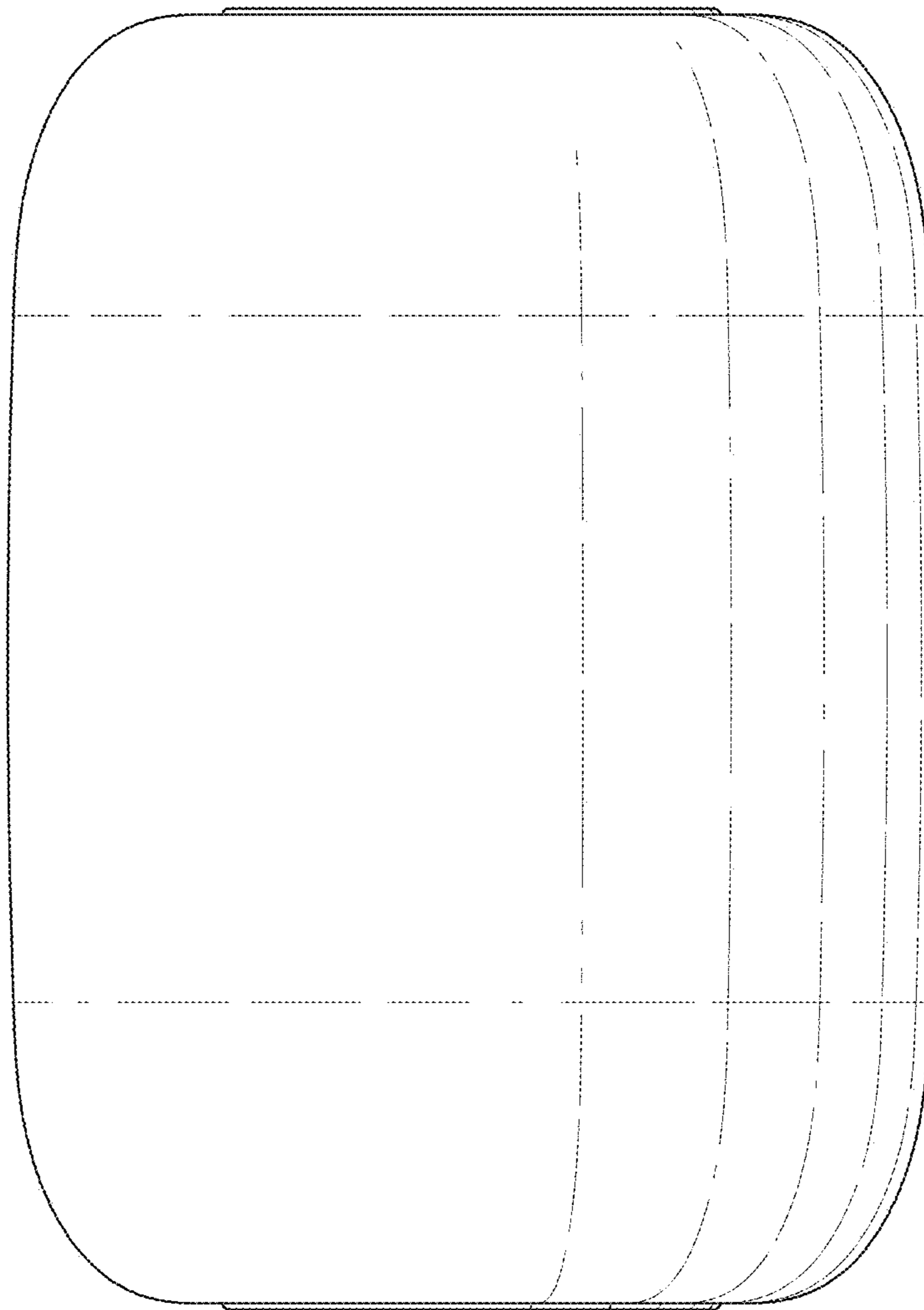


FIG. 6

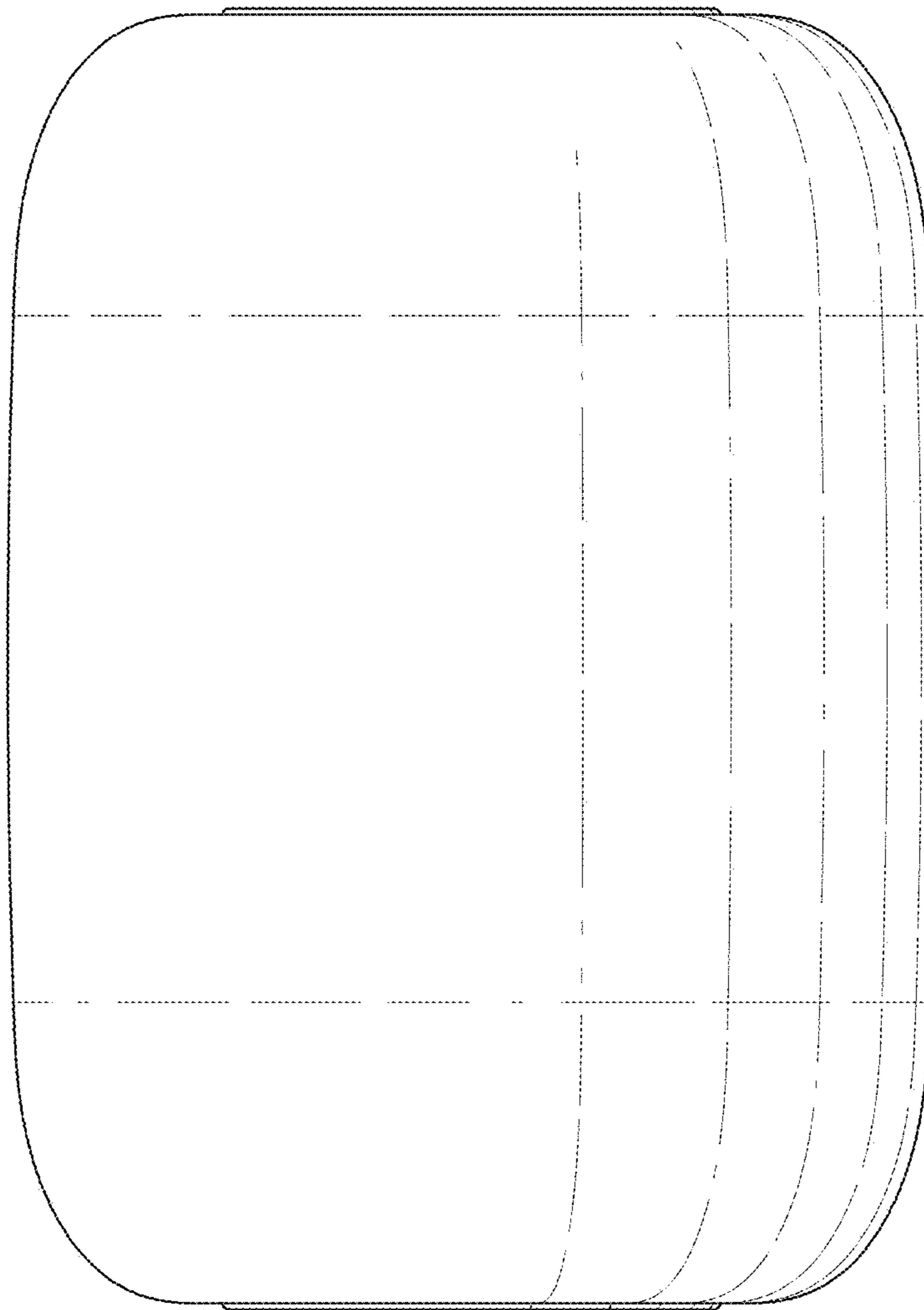


FIG. 7

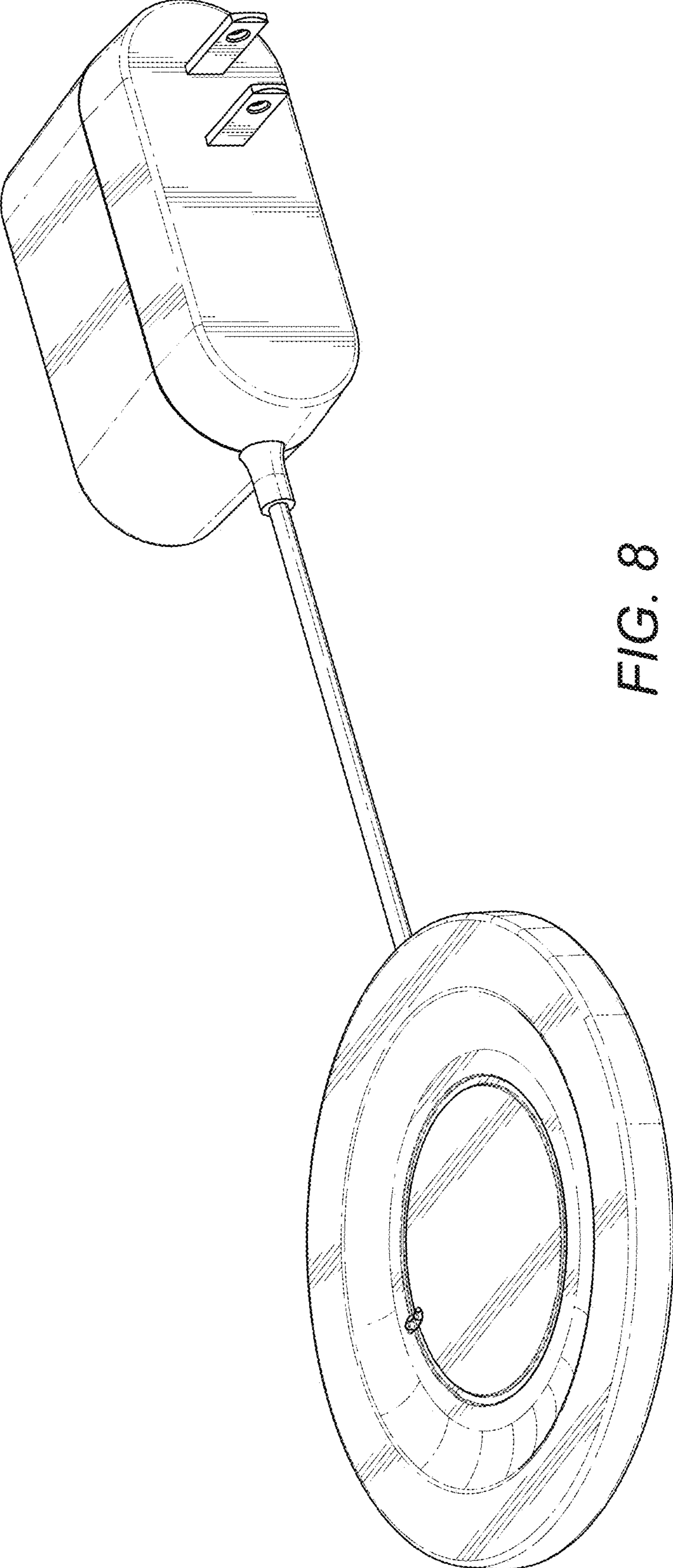


FIG. 8

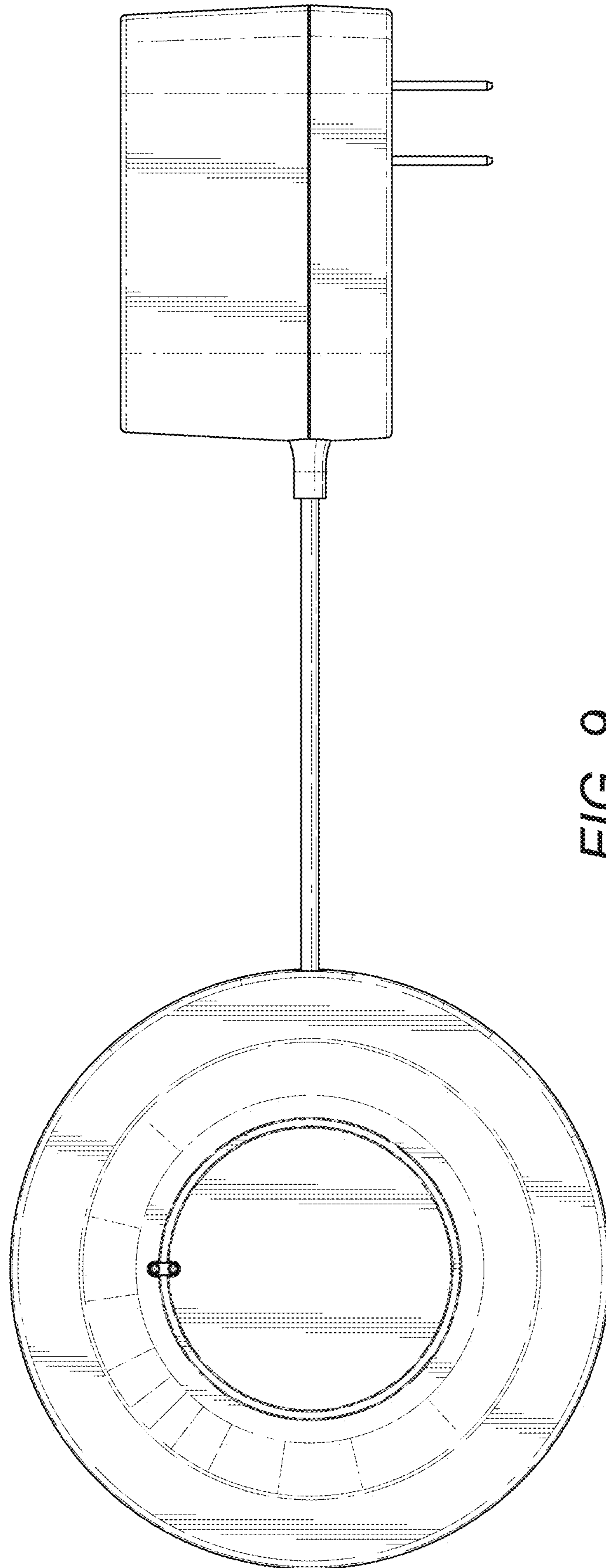


FIG. 9

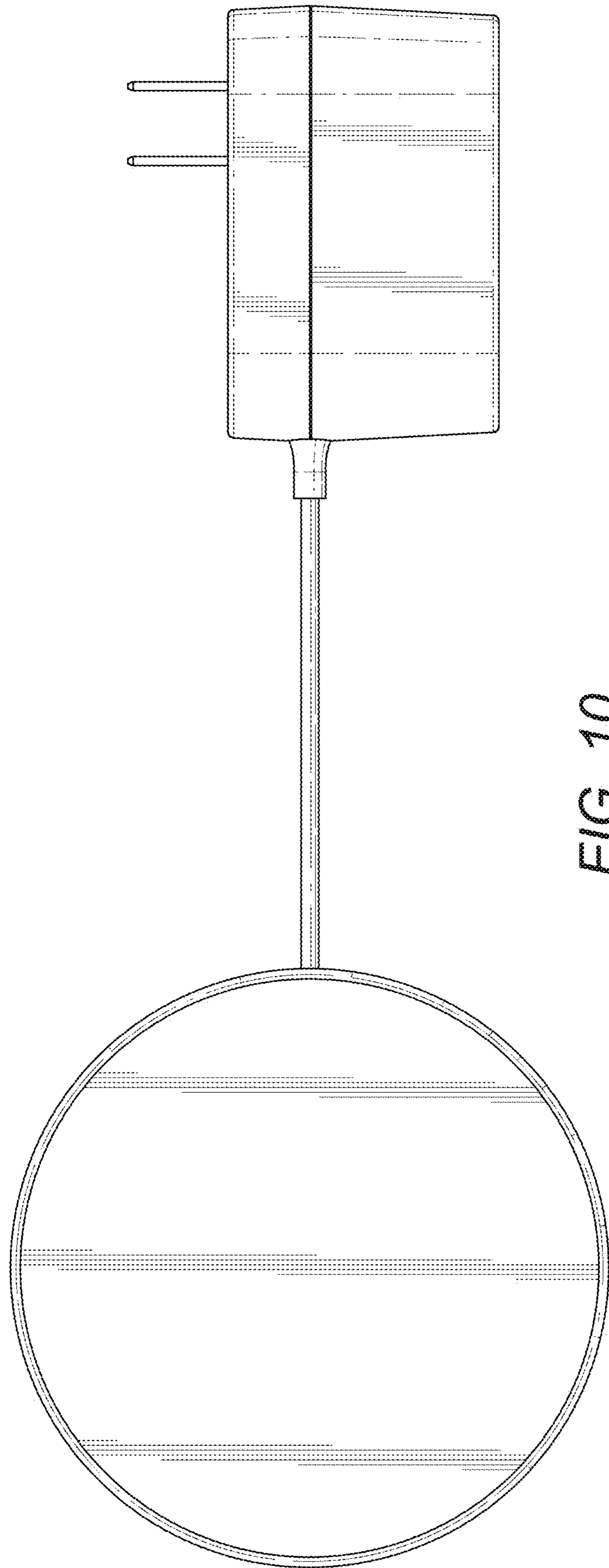


FIG. 10

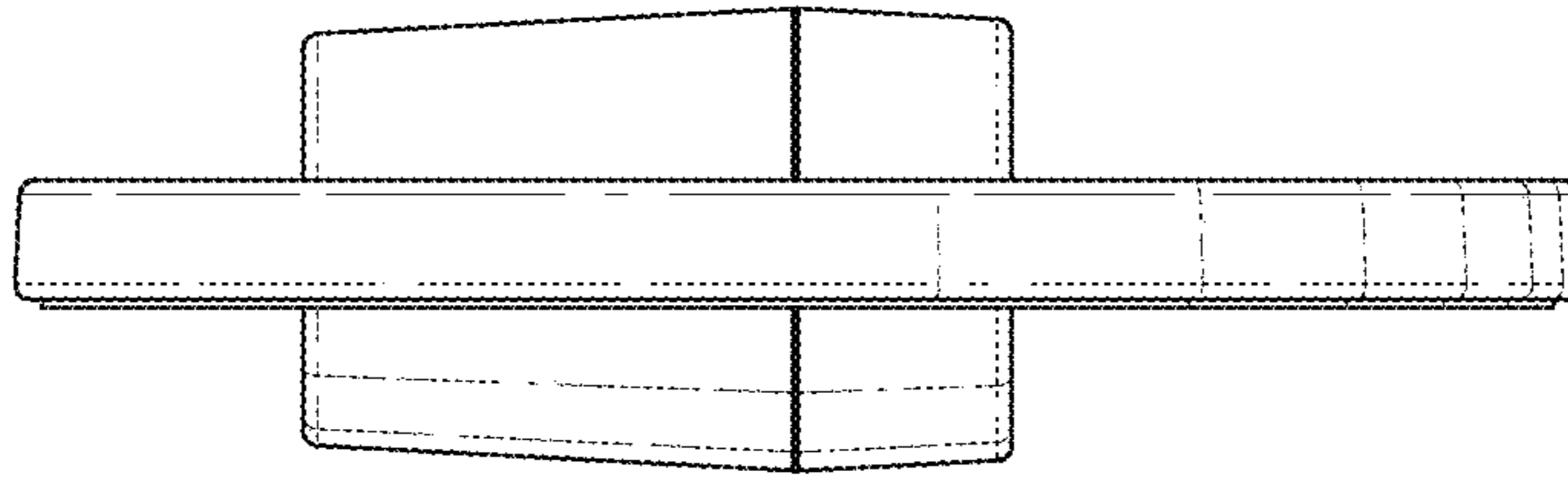


FIG. 11

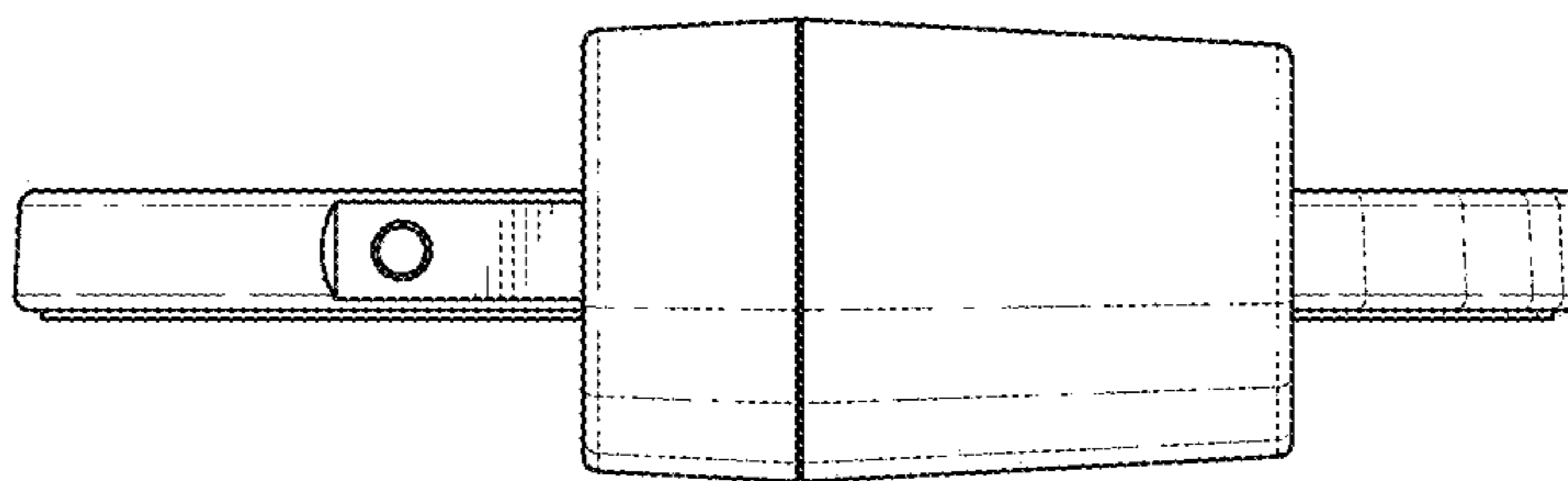


FIG. 12

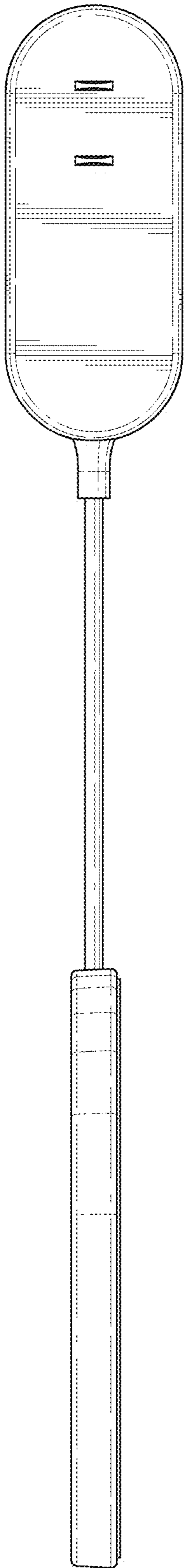


FIG. 13

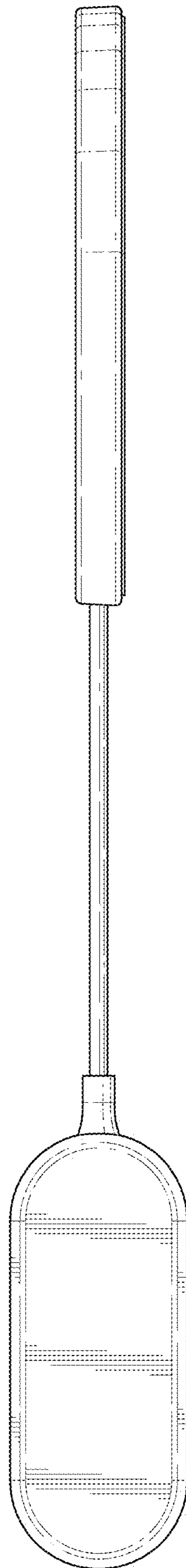


FIG. 14

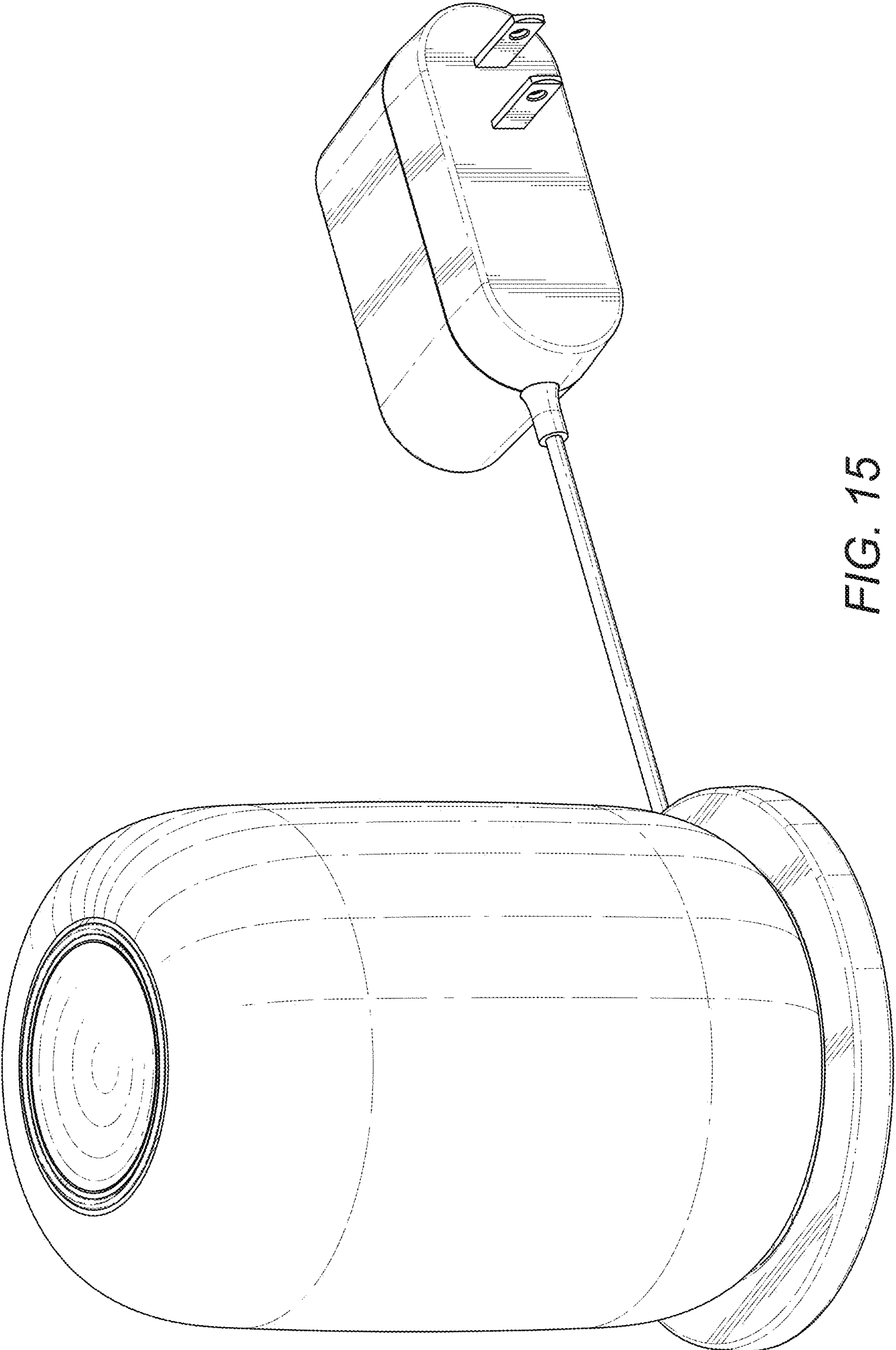


FIG. 15

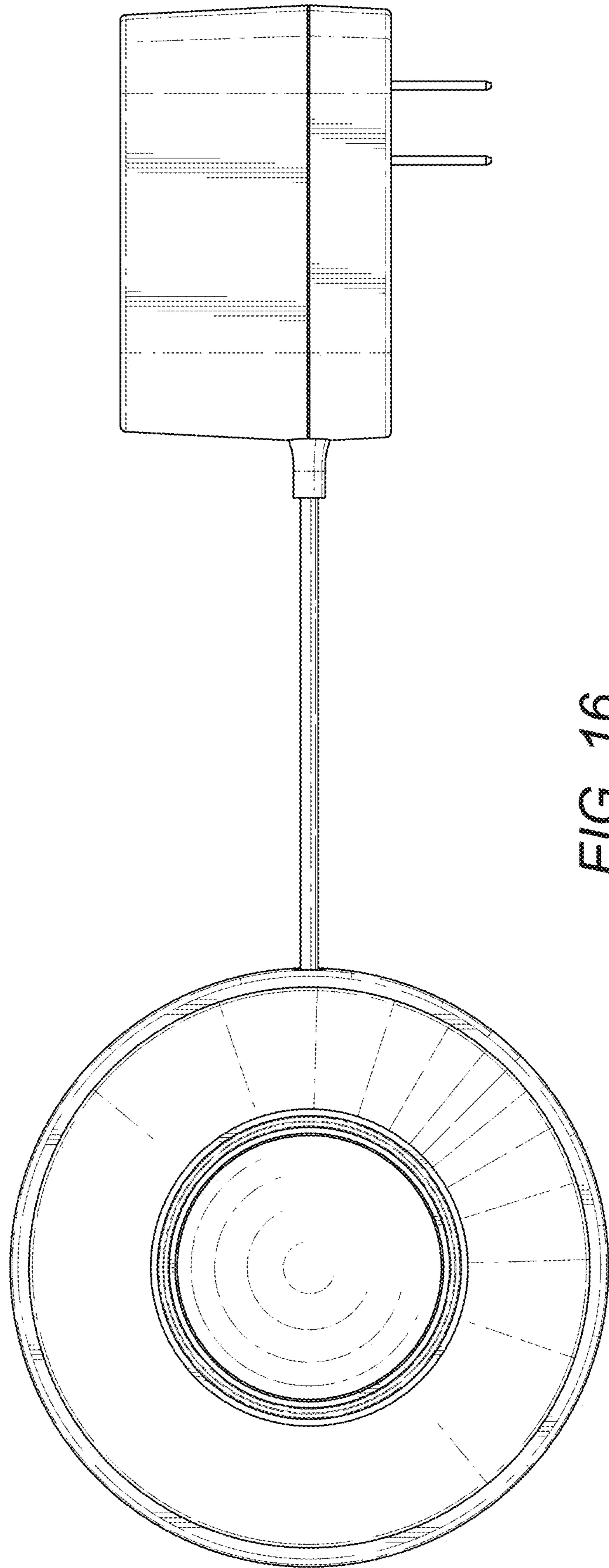


FIG. 16

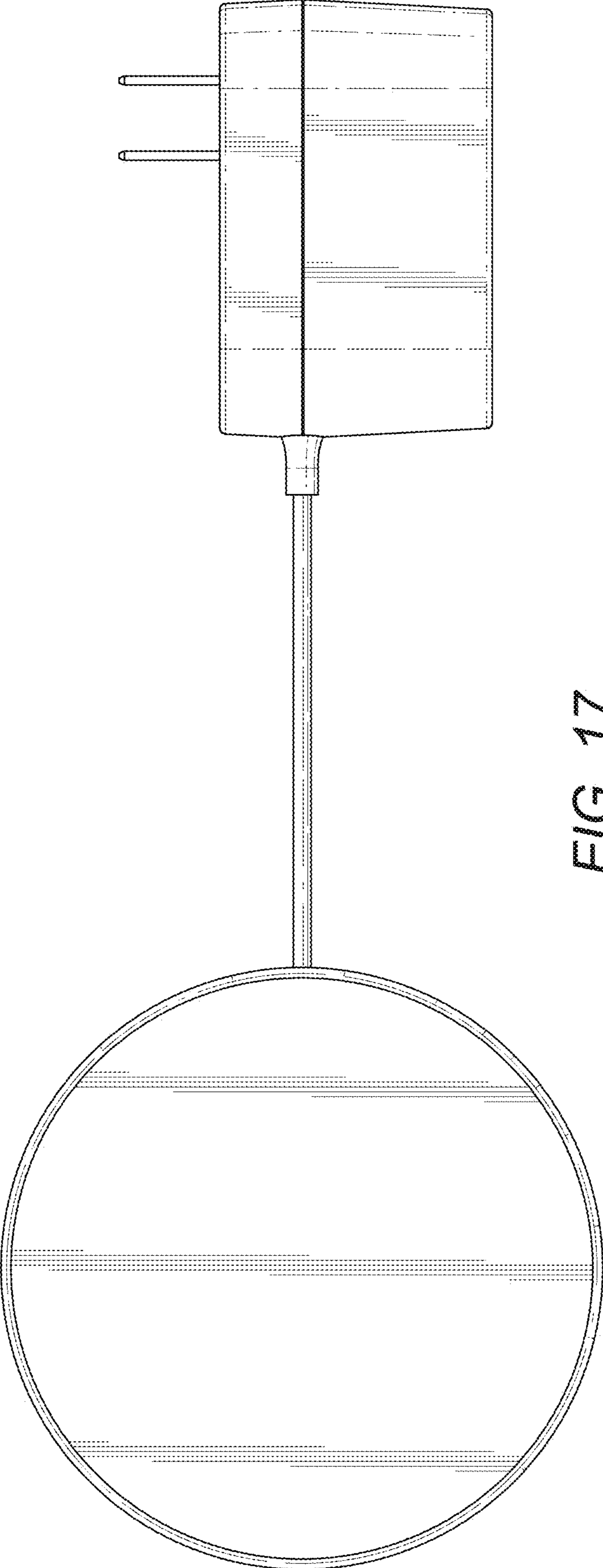


FIG. 17

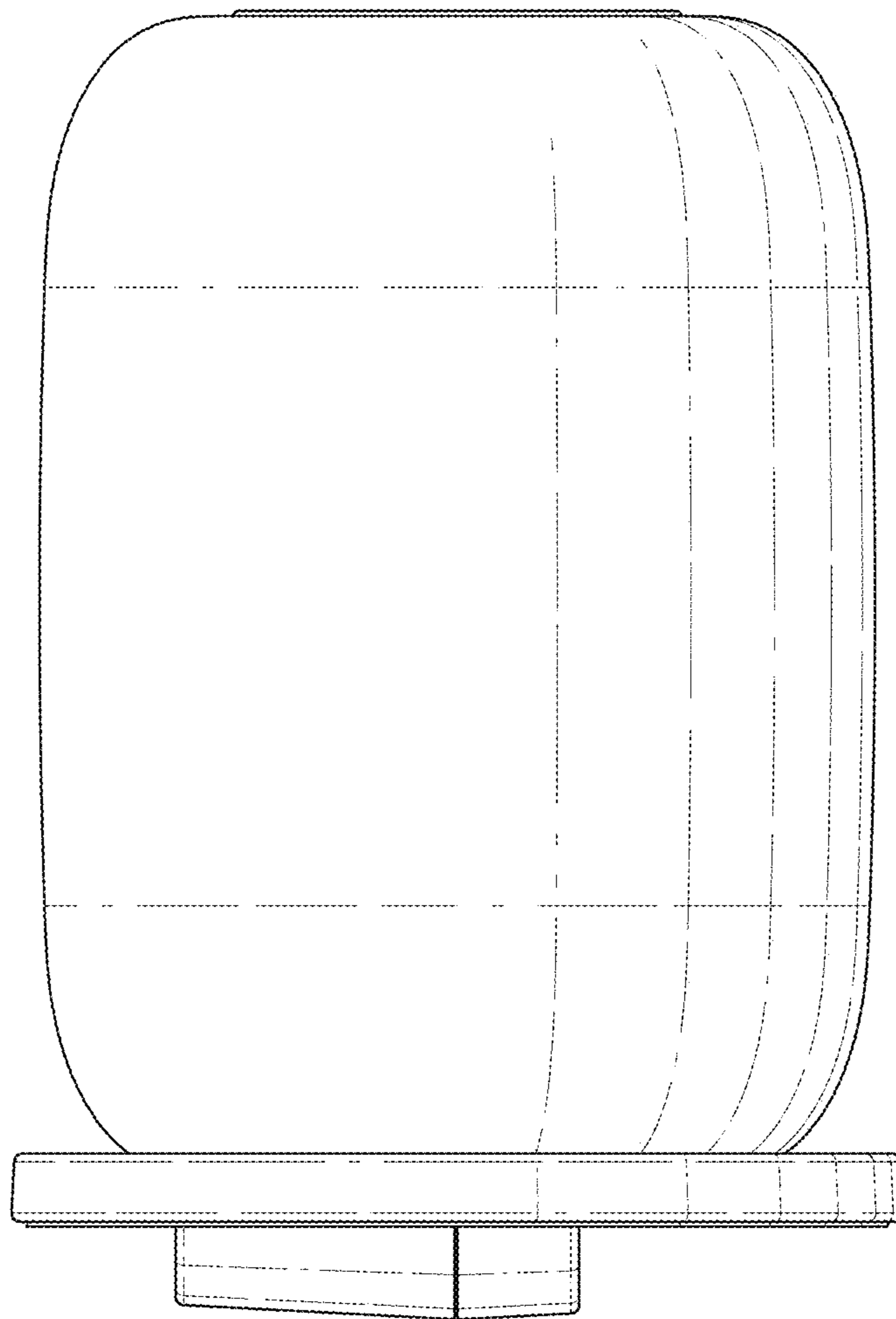


FIG. 18

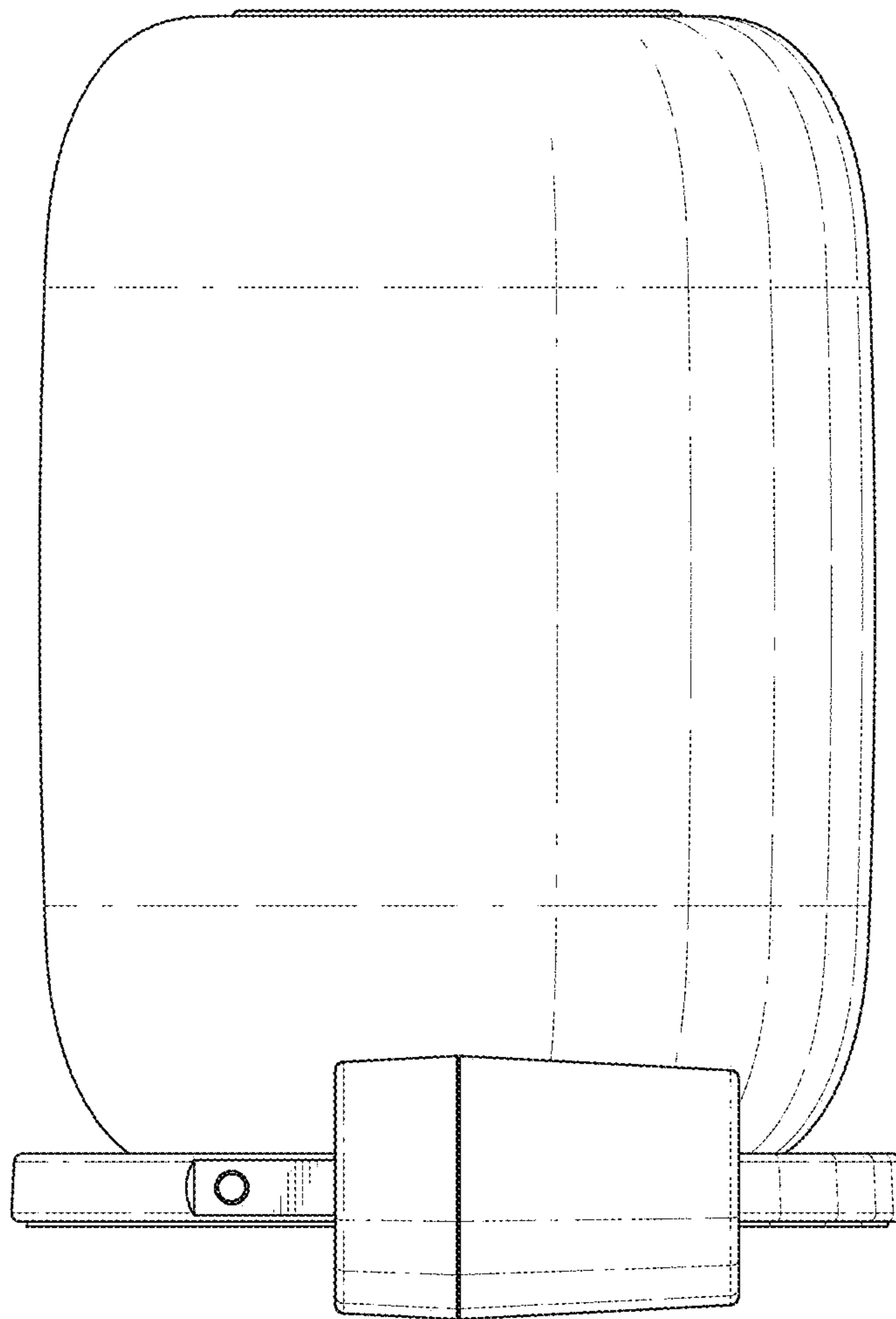


FIG. 19

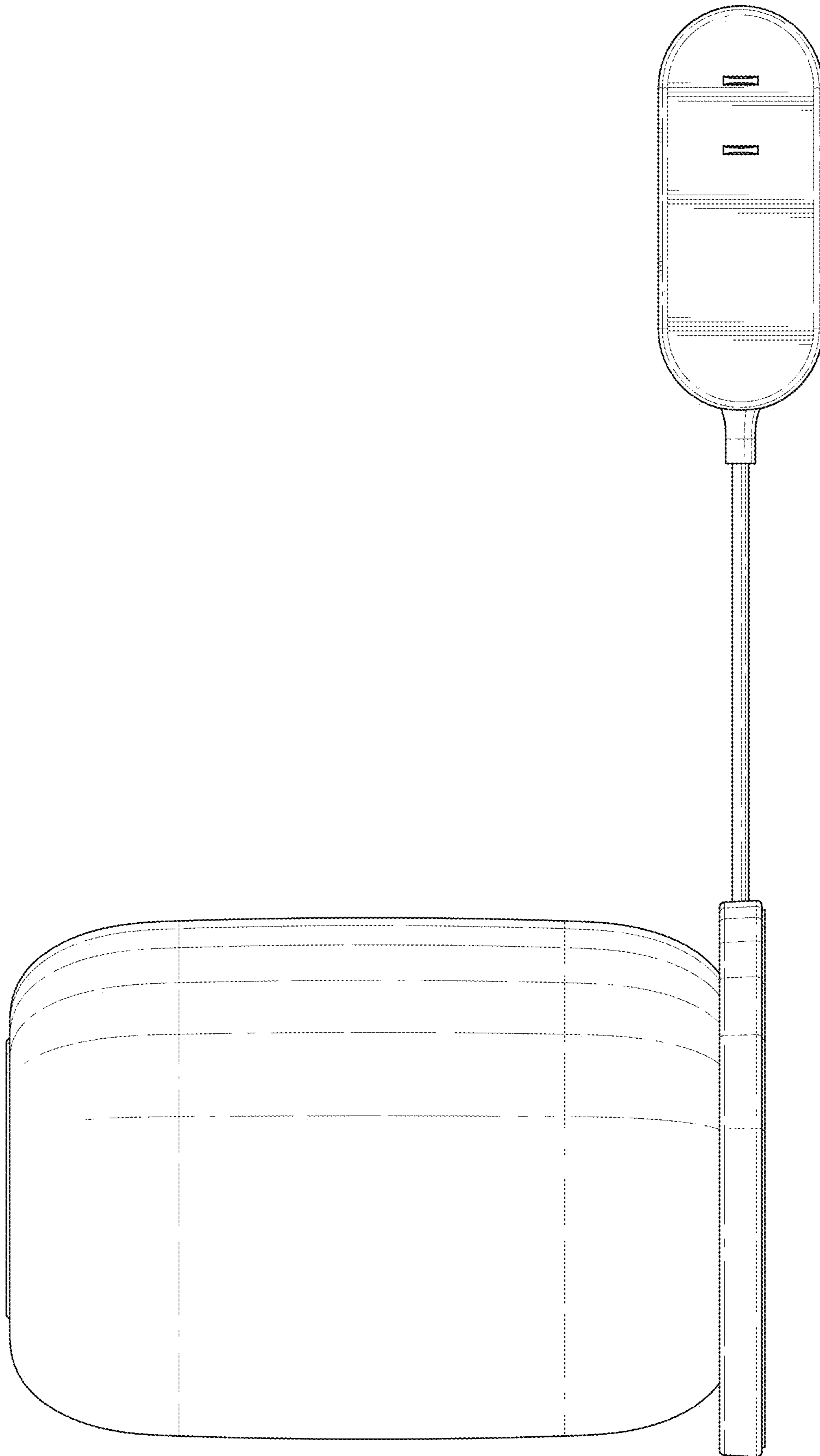


FIG. 20

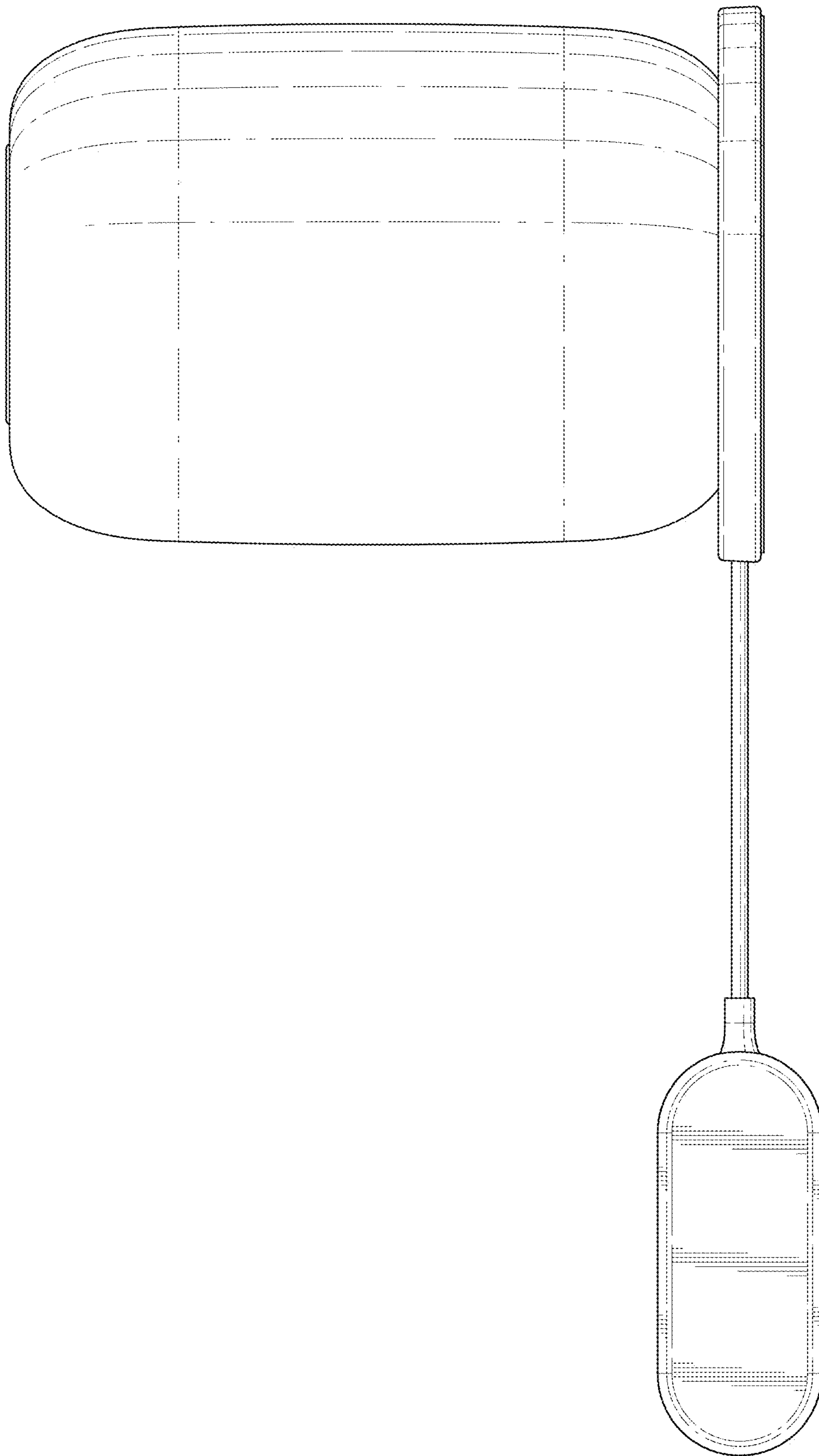


FIG. 21