



US00D885639S

(12) **United States Design Patent** (10) **Patent No.:** **US D885,639 S**  
**Sun** (45) **Date of Patent:** **\*\* May 26, 2020**

(54) **CUPLIKE LED LAMP**  
(71) Applicant: **Xuebin Sun**, Ganzhou (CN)  
(72) Inventor: **Xuebin Sun**, Ganzhou (CN)  
(\*\*) Term: **15 Years**  
(21) Appl. No.: **29/654,398**  
(22) Filed: **Jun. 23, 2018**  
(51) **LOC (12) Cl.** ..... **26-03**  
(52) **U.S. Cl.**  
USPC ..... **D26/94**  
(58) **Field of Classification Search**  
USPC ..... D26/24, 67, 94; D7/507, 509, 510,  
D7/300.2, 305  
CPC ..... F21S 6/00; F21S 6/002; F21S 8/00; F21S  
6/08; F21V 3/00; F21V 21/02; F21W  
2131/10; F21W 2131/30; A47G 19/2266;  
B24B 19/12; A63F 7/02; A63H 33/40;  
B23C 3/00  
See application file for complete search history.

D330,993 S \* 11/1992 Robbins, III ..... D7/510  
D475,155 S \* 5/2003 Chen ..... D26/94  
D502,782 S \* 3/2005 Tang ..... D26/94  
D508,743 S \* 8/2005 Brady ..... D26/94  
D731,698 S \* 6/2015 Johnson ..... D26/94  
D732,232 S \* 6/2015 Fissell ..... D26/94  
D755,013 S \* 5/2016 Khubani ..... D7/507  
D866,839 S \* 11/2019 Yan ..... D26/67

\* cited by examiner

*Primary Examiner* — Brian N. Vinson  
(74) *Attorney, Agent, or Firm* — Erson IP (Nelson IP)

(57) **CLAIM**

The ornamental design for a cuplike LED lamp, as shown and described.

**DESCRIPTION**

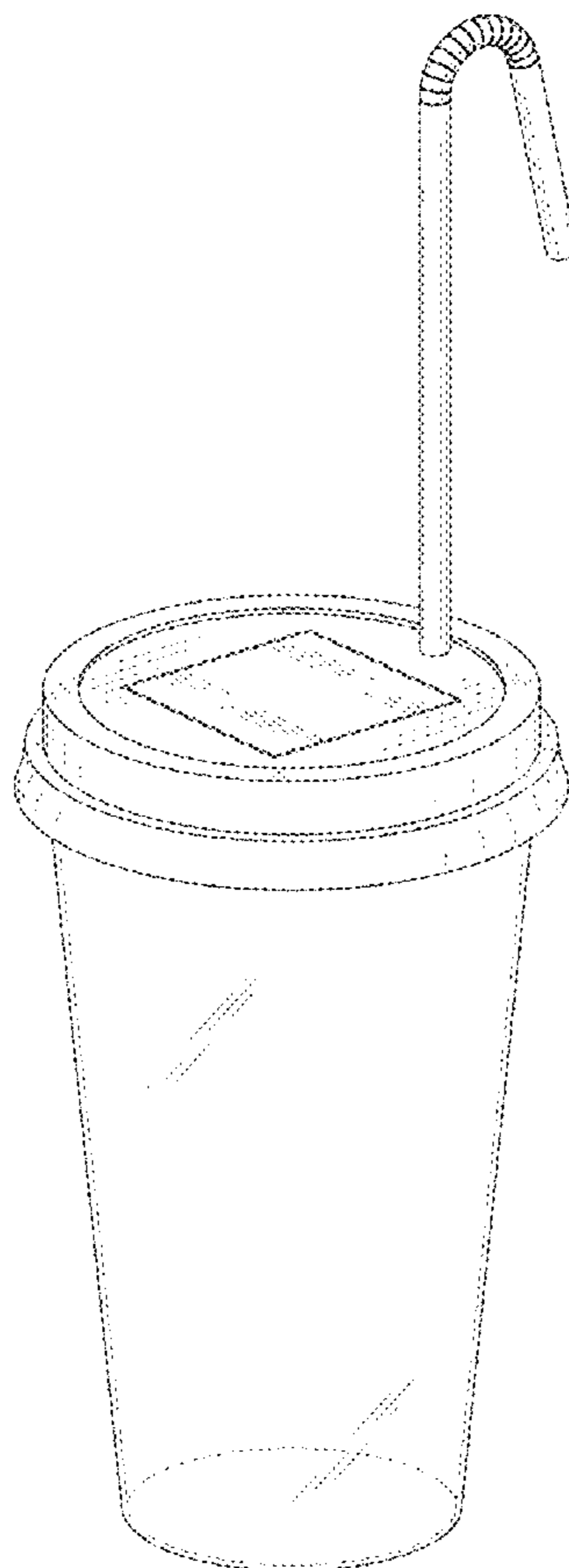
FIG. 1 is a perspective view of a cuplike LED lamp showing my new design;  
FIG. 2 is a front view thereof;  
FIG. 3 is a rear view thereof;  
FIG. 4 is a left side view thereof;  
FIG. 5 is a right side view thereof;  
FIG. 6 is a top plan view thereof; and,  
FIG. 7 is a bottom plan view thereof.  
The broken lines are for the purposes of illustrating portions of the cuplike LED lamp and form no part of the claimed design.

(56) **References Cited**

U.S. PATENT DOCUMENTS

4,121,385 A \* 10/1978 Asano ..... B24B 19/12  
451/239  
4,494,668 A \* 1/1985 Lottick ..... A47G 19/2266  
215/229

**1 Claim, 7 Drawing Sheets**



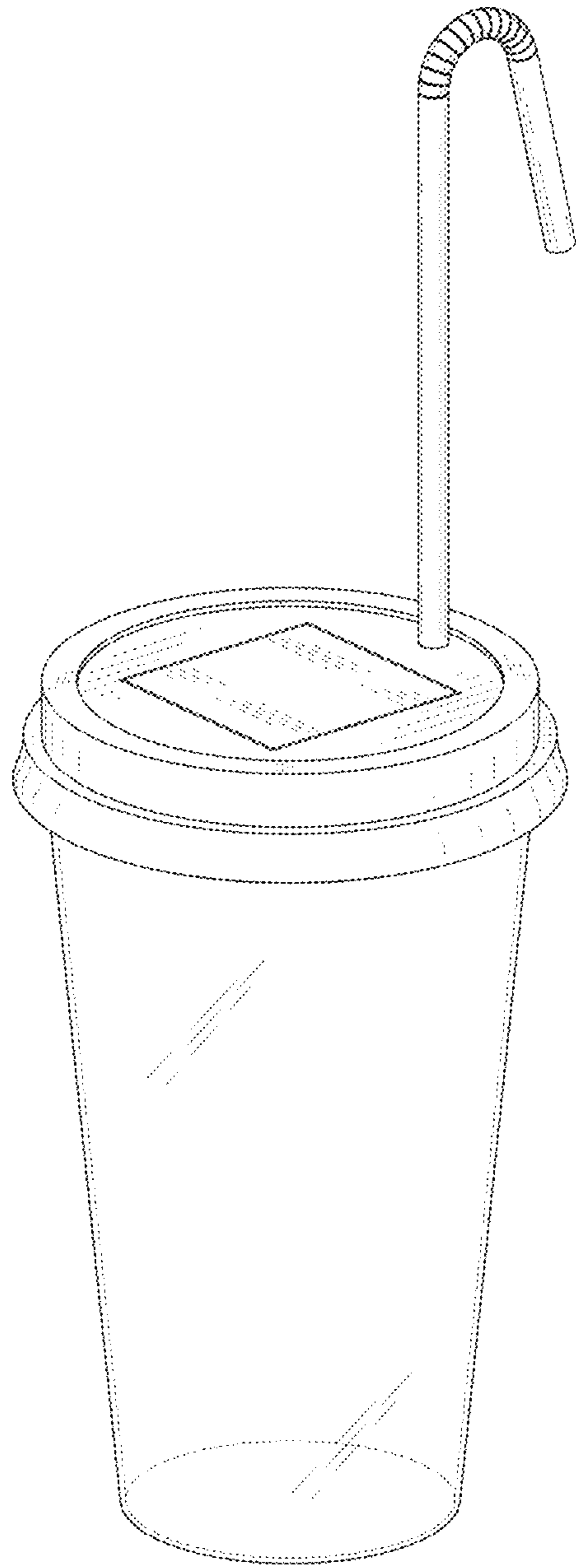


Fig. 1

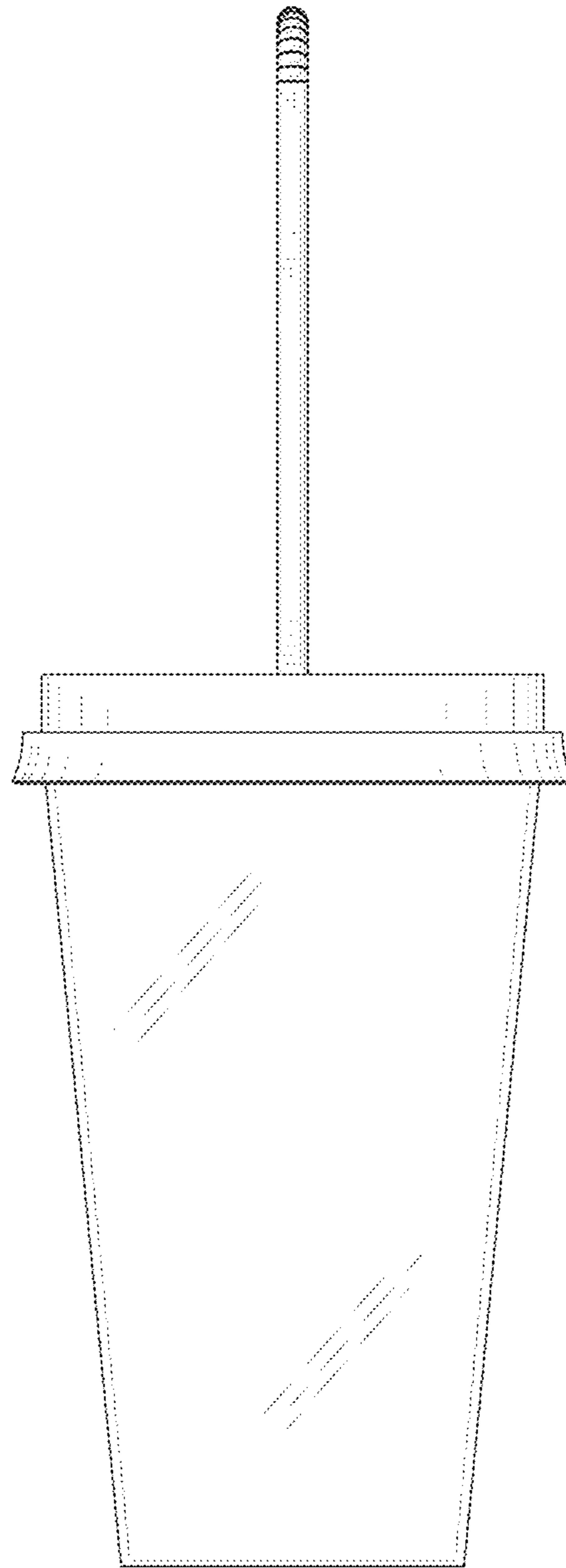


Fig. 2

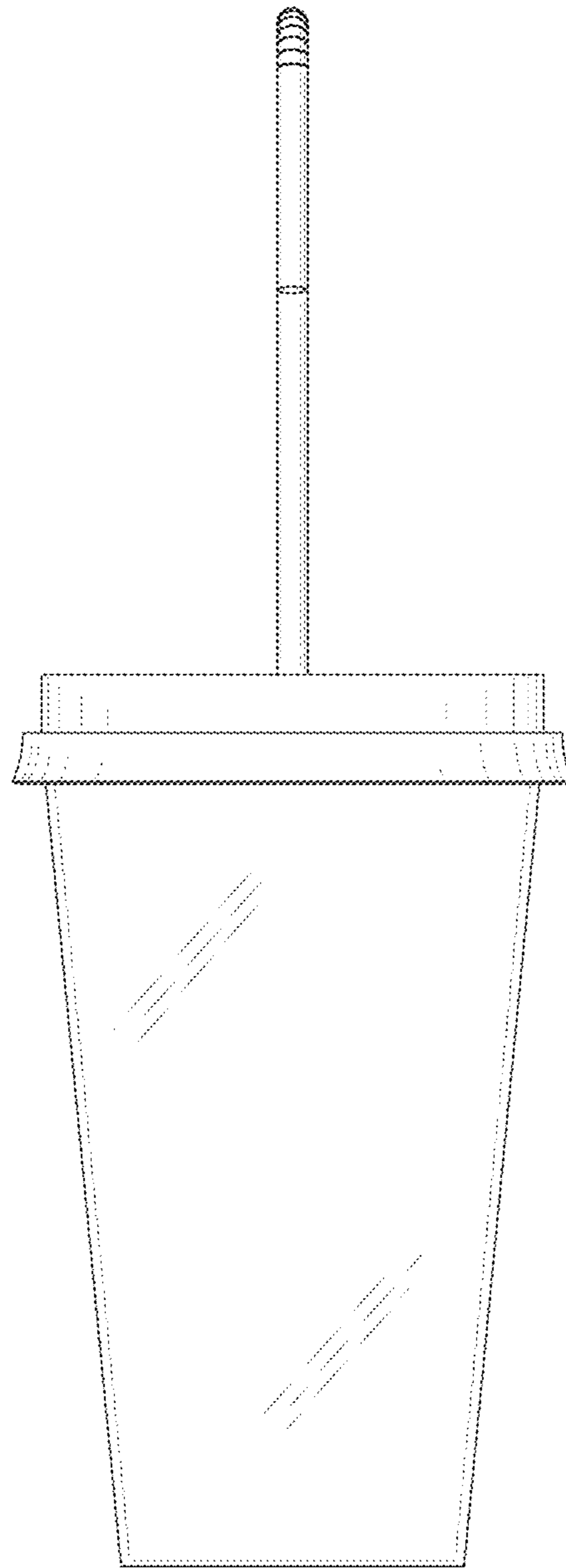


Fig. 3

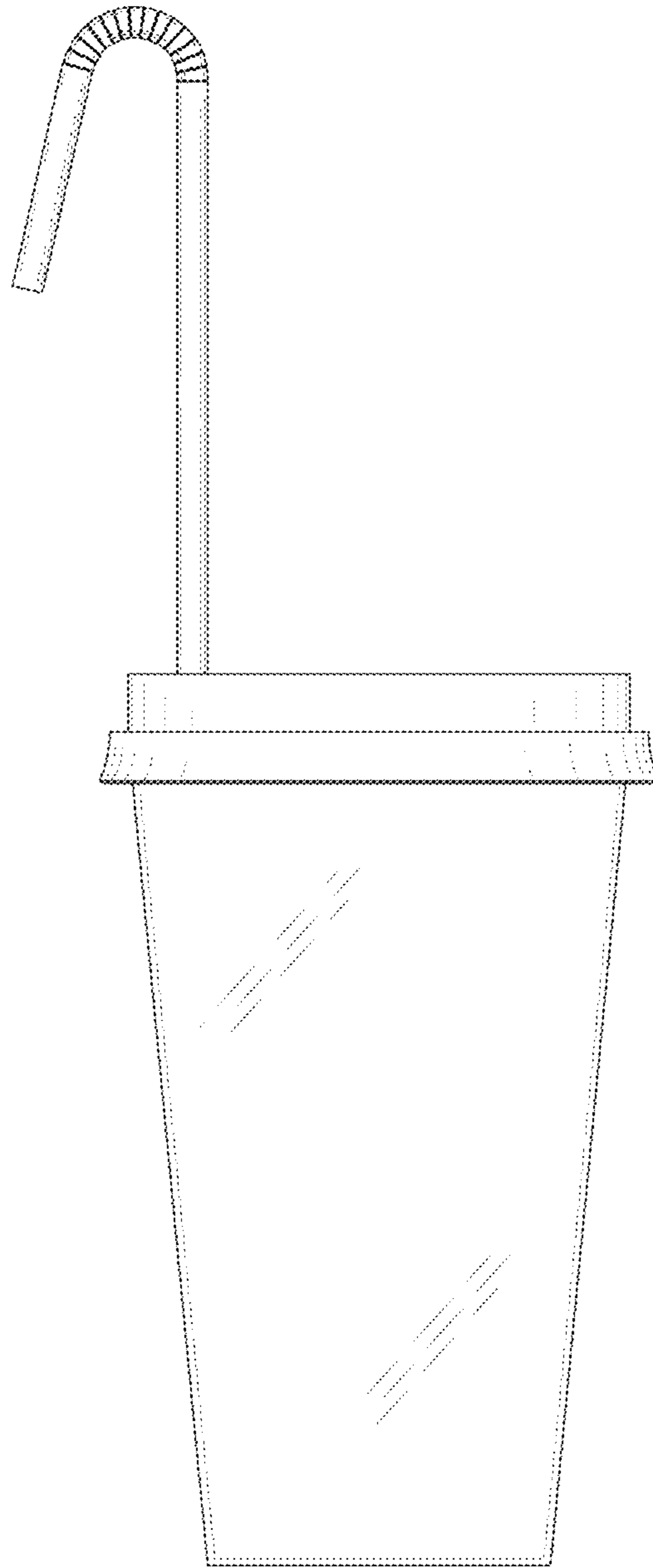


Fig. 4

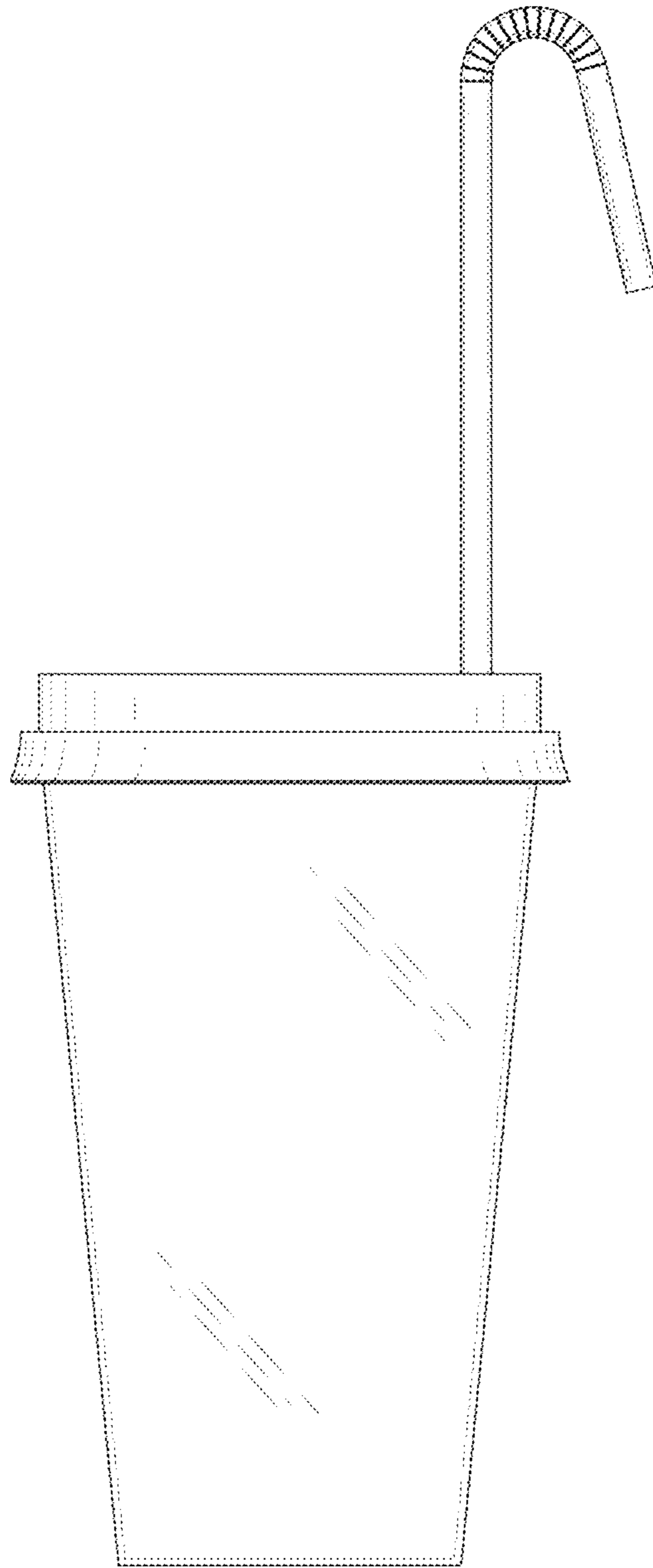
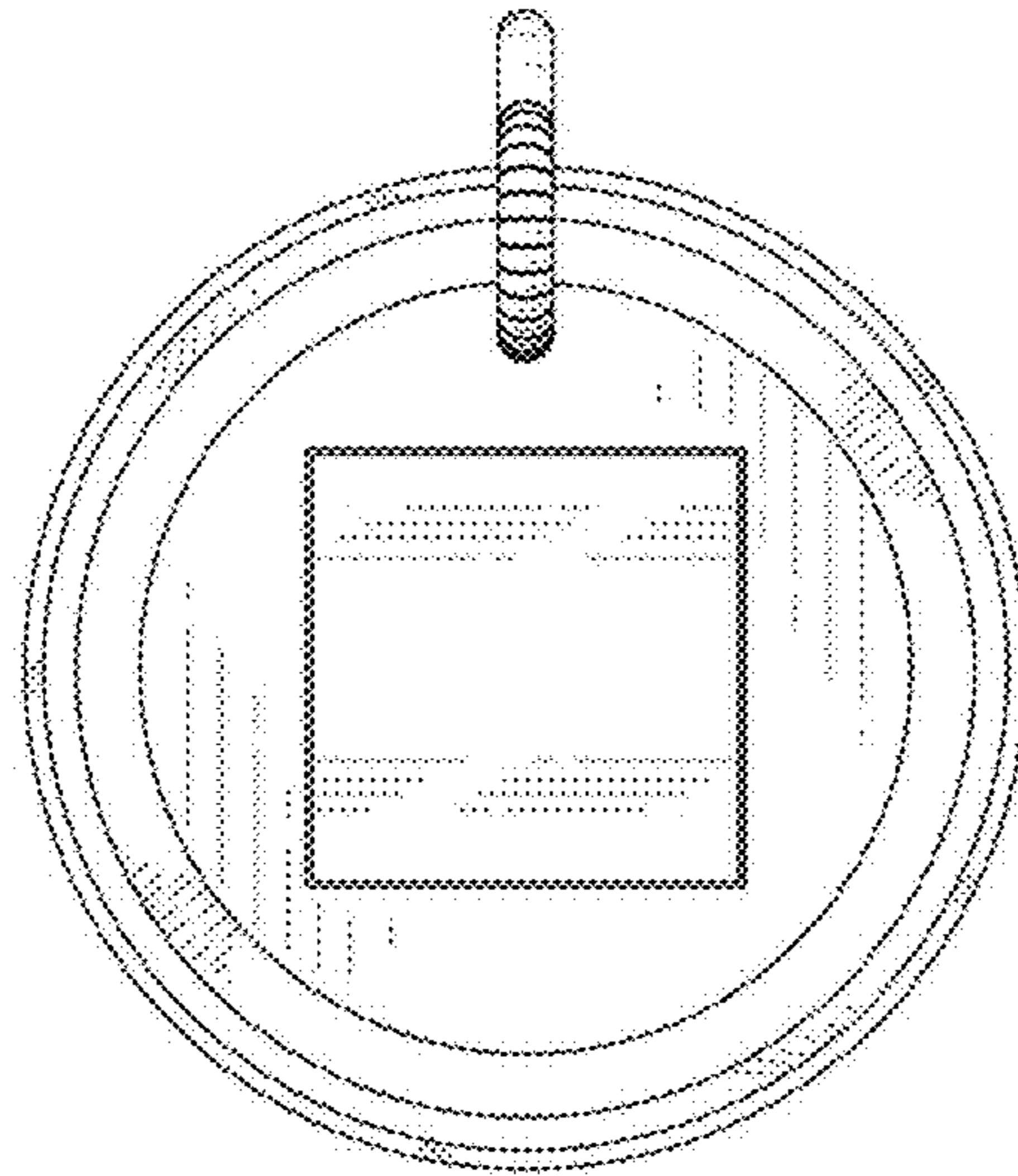


Fig. 5



**Fig. 6**

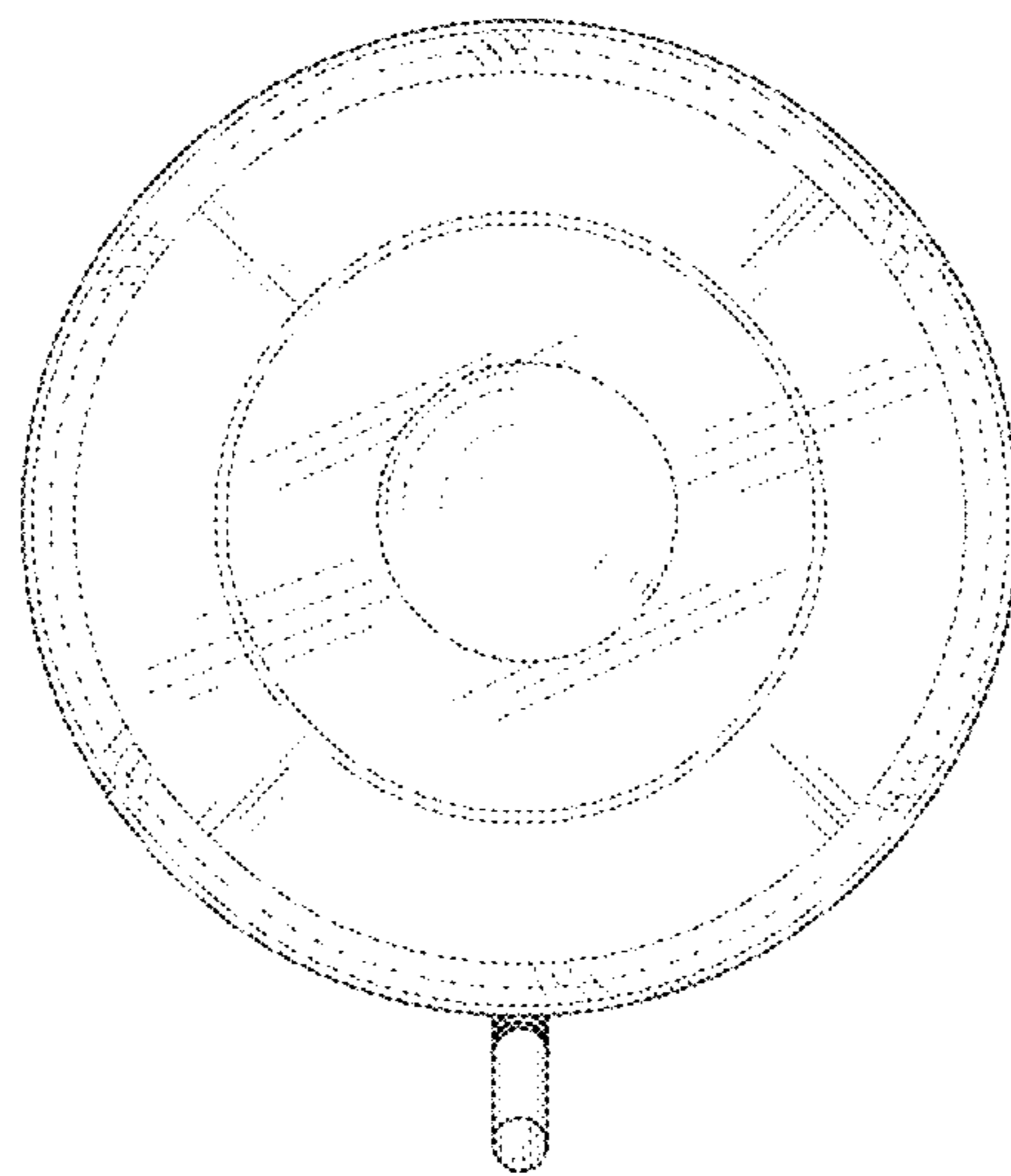


Fig. 7