



US00D885638S

(12) **United States Design Patent**
Guo

(10) **Patent No.:** **US D885,638 S**

(45) **Date of Patent:** **** May 26, 2020**

(54) **CEILING LIGHT**

(71) Applicant: **Shenzhen Ouyixin Technology Co., Ltd., Shenzhen (CN)**

(72) Inventor: **Liping Guo, Shenzhen (CN)**

(73) Assignee: **Shenzhen Ouyixin Technology Co., Ltd., Shenzhen (CN)**

(**) Term: **15 Years**

(21) Appl. No.: **29/718,488**

(22) Filed: **Dec. 24, 2019**

(51) **LOC (12) Cl.** **26-03**

(52) **U.S. Cl.**
USPC **D26/89**

(58) **Field of Classification Search**
USPC D26/72, 74, 80, 83, 85, 88, 89, 90, 91
CPC F21S 8/03; F21S 8/04; F21S 8/043; F21S 8/046; F21V 21/02; F21V 21/03; F21V 21/047; F21V 21/049
See application file for complete search history.

(56) **References Cited**

U.S. PATENT DOCUMENTS

- 3,836,766 A * 9/1974 Auerbach F21S 8/033
362/311.14
- 3,840,735 A * 10/1974 Chan F21V 17/14
362/267
- 4,234,916 A * 11/1980 Goralnik F21S 8/04
248/343
- D490,183 S * 5/2004 Benensohn D26/79
- D501,573 S * 2/2005 Benensohn D26/89
- D532,142 S 11/2006 Matsui et al.
- D628,316 S 11/2010 Yamamoto et al.
- D631,573 S 1/2011 Yamamoto et al.
- D634,055 S * 3/2011 Hokazono D26/89
- D662,621 S 6/2012 Yamamoto et al.
- D765,903 S * 9/2016 Zhang D26/89

- D779,106 S * 2/2017 Krueckeberg D26/89
- D824,575 S * 7/2018 Boulanger D26/89
- D841,869 S * 2/2019 Mou D26/89
- D852,402 S 6/2019 Zhu
- D857,970 S * 8/2019 Yang D26/89
- D861,959 S * 10/2019 Guo D26/89
- 2019/0234593 A1 * 8/2019 Stevens H01R 13/73

OTHER PUBLICATIONS

- Nuvo Lighting 62/459 Pi Single Light 11" Wide Integrated LED Flush Mount Drum Ceiling Fixture available at amazon.com Jun. 28, 2019. (Year: 2019).*
- WAC Lighting FM-4115-30-BN 15in 3000K Soft White in Brushed Nickel, available at amazon.com Mar. 9, 2016. (Year: 2016).*
- 4000K Ceiling Light by Airand available at amazon.com Jun. 4, 2018. (Year: 2018).*
- LE Flush Mount Ceiling Light Fixture, Waterproof IP54 LED Ceiling Light sold by Lighting Ever available at amazon.com May 14, 2017. (Year: 2017).*

* cited by examiner

Primary Examiner — Clare E Heflin

(74) *Attorney, Agent, or Firm* — ScienBiziP, P.C.

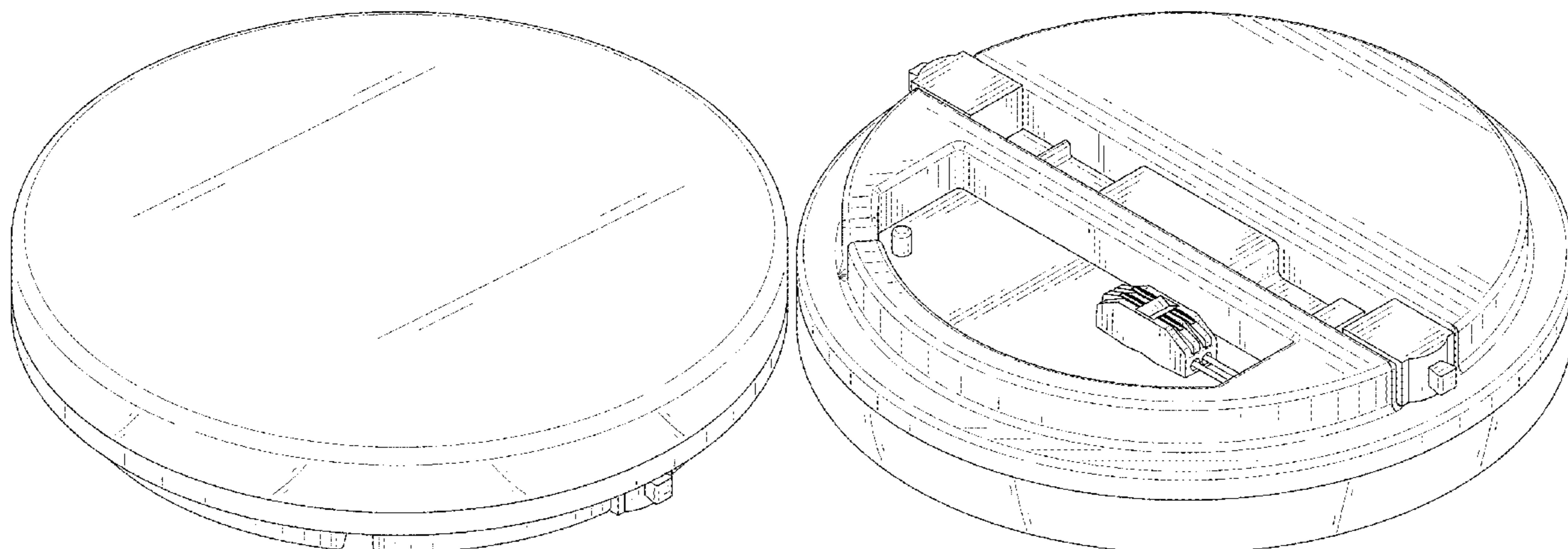
(57) **CLAIM**

The ornamental design for a ceiling light, as shown and described.

DESCRIPTION

FIG. 1 is a front perspective view of a ceiling light, showing my design.
 FIG. 2 is a rear perspective view thereof.
 FIG. 3 is a front elevation view thereof.
 FIG. 4 is a rear elevation view thereof.
 FIG. 5 is a left side elevation view thereof.
 FIG. 6 is a right side elevation view thereof.
 FIG. 7 is a top plan view thereof; and,
 FIG. 8 is a bottom plan view thereof.

1 Claim, 8 Drawing Sheets



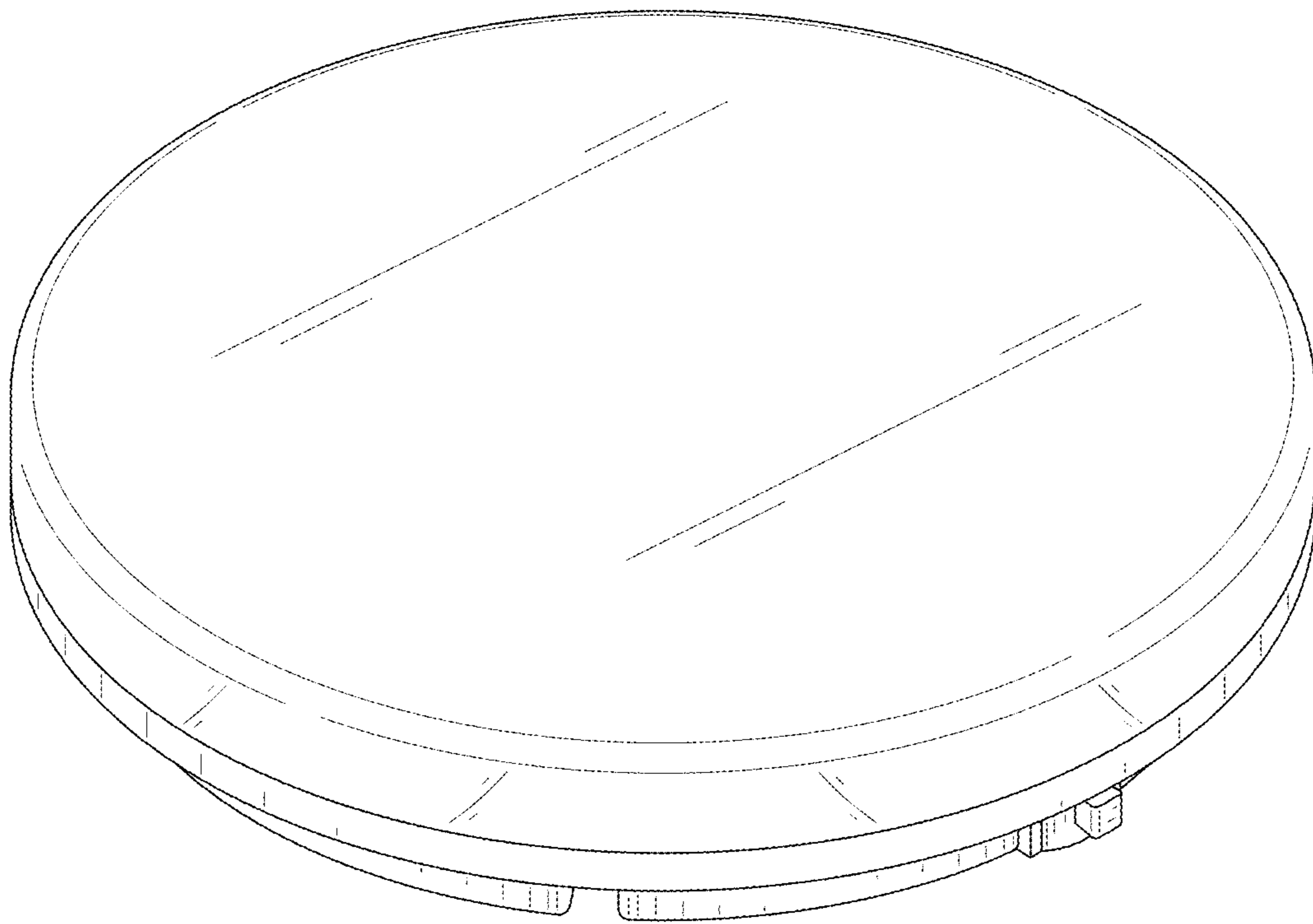


FIG. 1

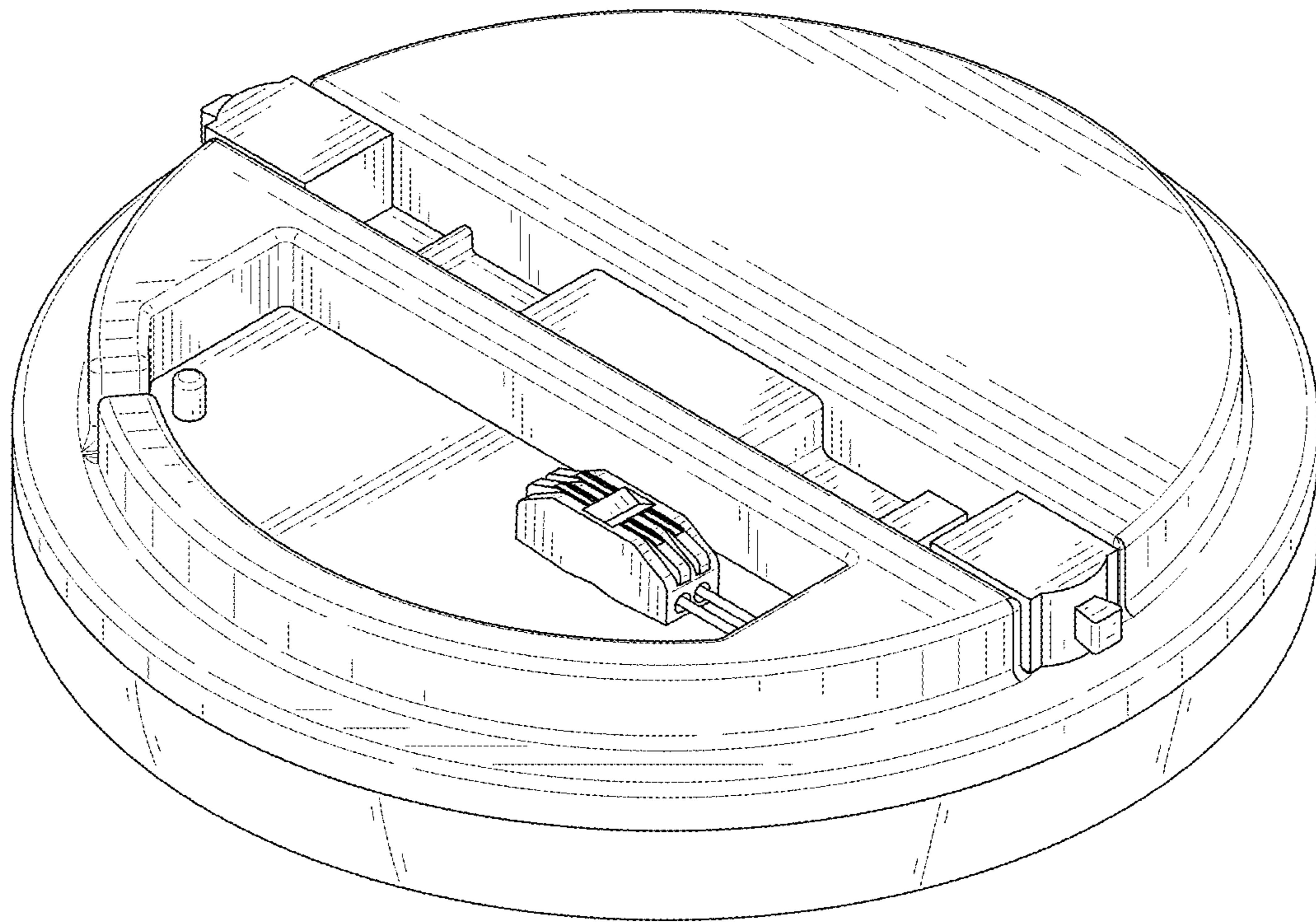


FIG. 2

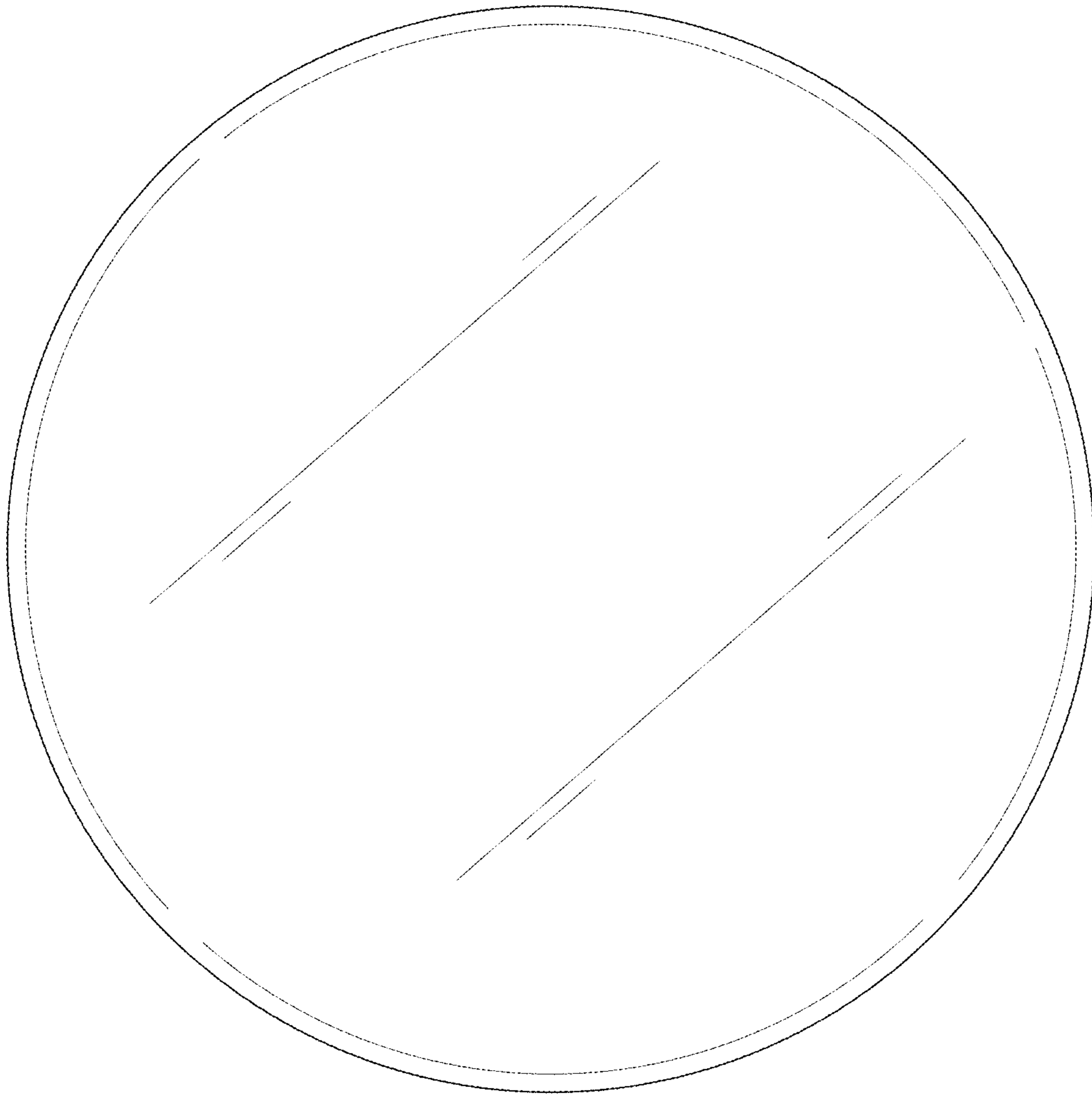


FIG. 3

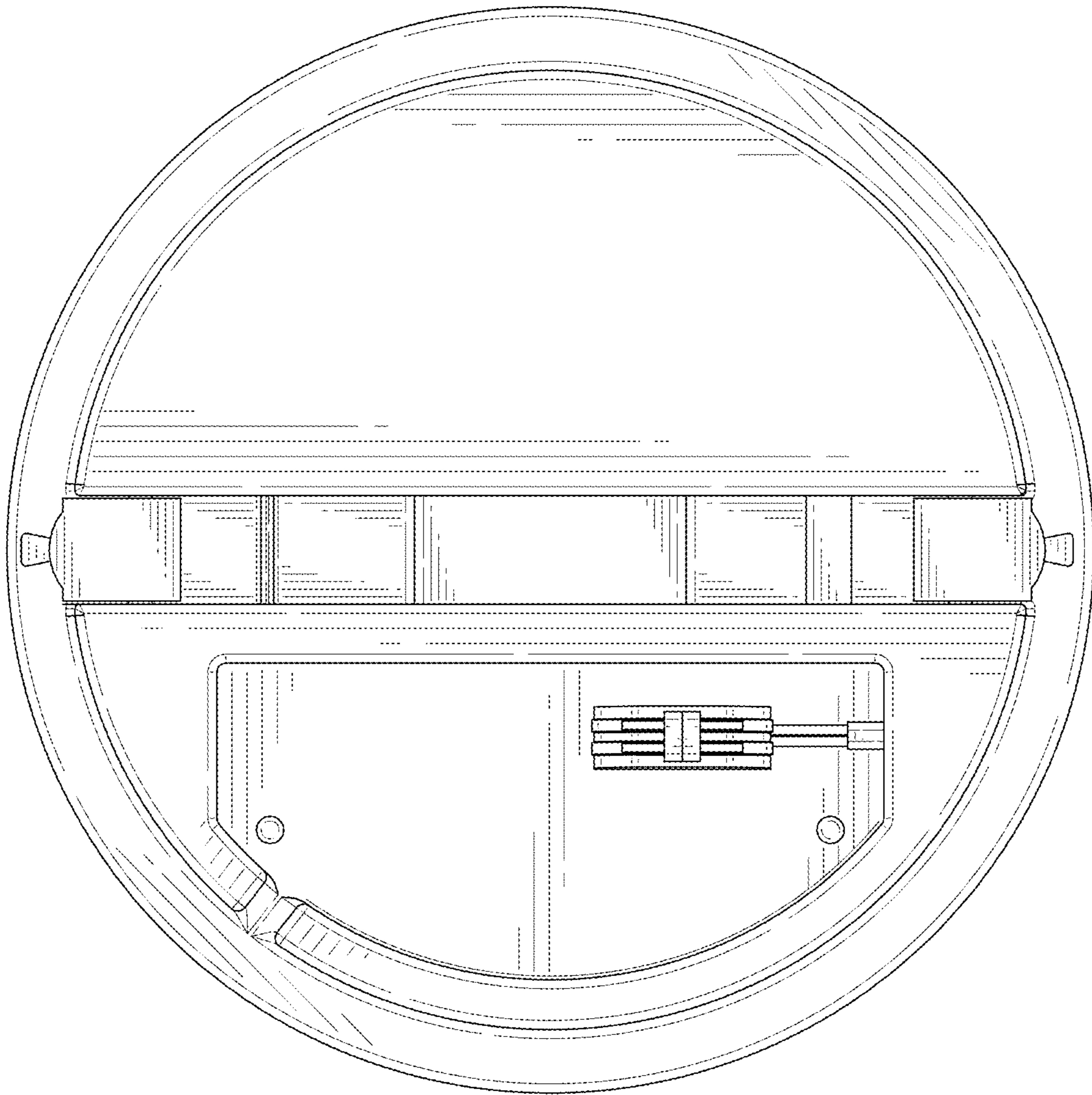


FIG. 4

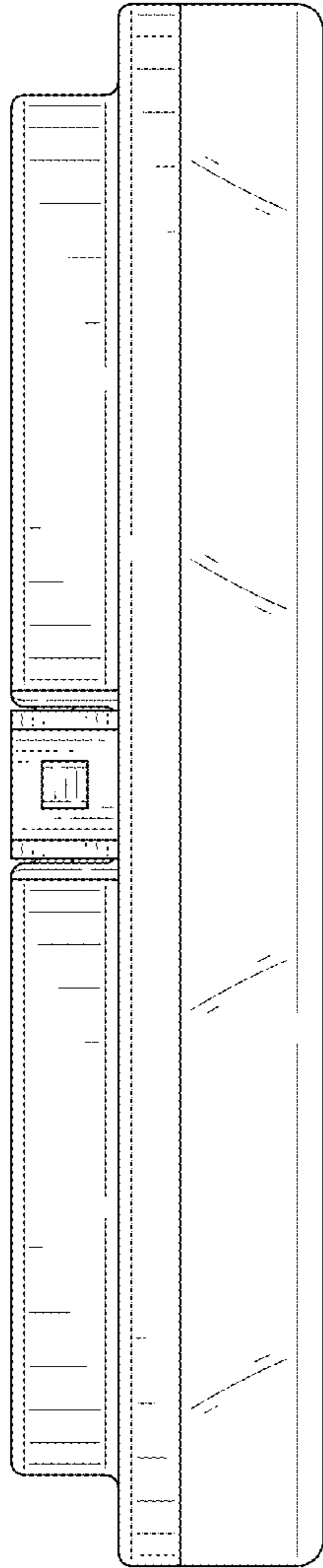


FIG. 5

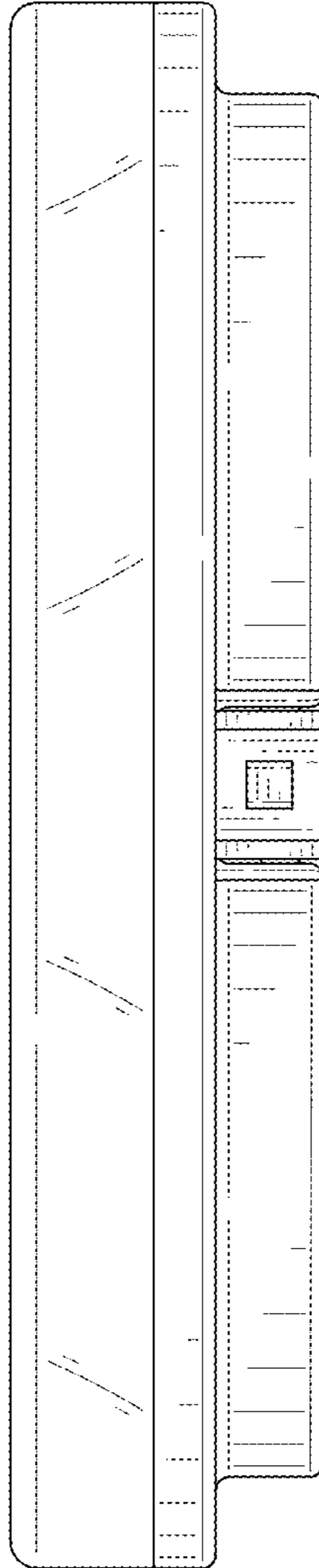


FIG. 6

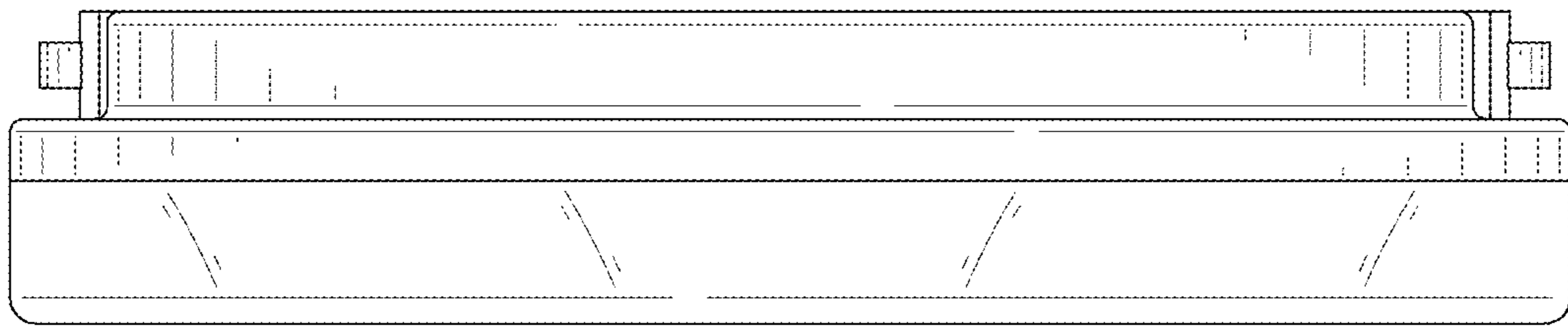


FIG. 7

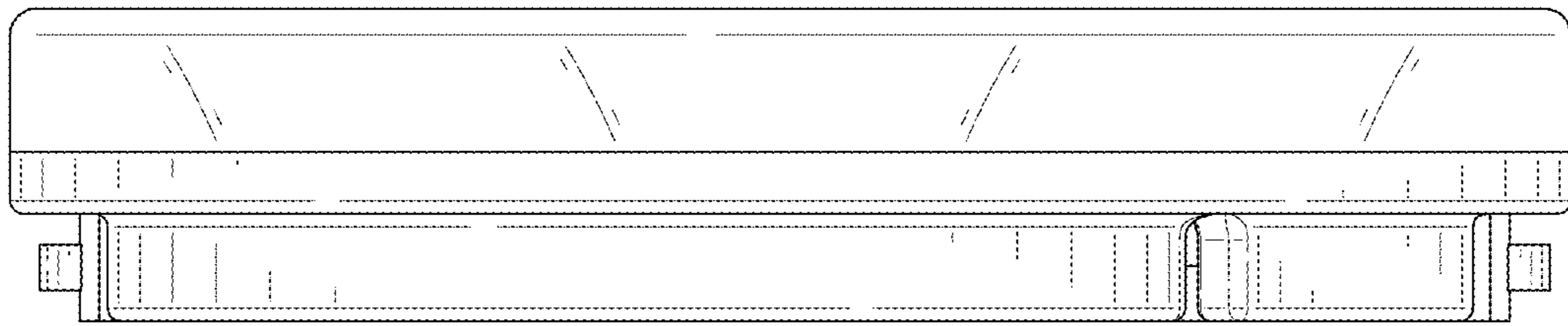


FIG. 8