



US00D885634S

(12) **United States Design Patent** (10) **Patent No.:** **US D885,634 S**  
**Bhavanbhai Patel** (45) **Date of Patent:** **\*\* May 26, 2020**

(54) **LIGHTING FIXTURE**  
(71) Applicant: **Jitendra Bhavanbhai Patel**, Rolling Hills Estates, CA (US)  
(72) Inventor: **Jitendra Bhavanbhai Patel**, Rolling Hills Estates, CA (US)  
(\*\*) Term: **15 Years**  
(21) Appl. No.: **29/723,312**  
(22) Filed: **Feb. 5, 2020**  
(51) **LOC (12) Cl.** ..... **26-04**  
(52) **U.S. Cl.**  
USPC ..... **D26/76**  
(58) **Field of Classification Search**  
USPC ..... D26/72, 74, 76, 78-83, 85, 86, 88, 90, D26/93, 111, 113, 118, 119, 120, 121, D26/122, 138, 139, 140, 141, 142, 152  
CPC ..... F21S 2/00; F21S 4/00; F21S 4/003; F21S 4/005; F21S 4/006; F21S 4/007; F21S 4/008; F21S 6/00; F21S 8/00; F21S 8/024; F21S 8/026; F21S 8/031; F21S 8/033; F21S 8/035-037; F21S 8/04; F21S 8/043; F21S 8/063  
See application file for complete search history.

D543,652 S 5/2007 Hargreaves  
D543,654 S 5/2007 Hargreaves  
D544,139 S 6/2007 Hargreaves  
D544,626 S 6/2007 Hargreaves  
D544,983 S 6/2007 Hargreaves  
D544,985 S 6/2007 Hargreaves  
D544,987 S 6/2007 Hargreaves  
D579,142 S 10/2008 Lee  
D617,935 S 6/2010 Miletich et al.  
D617,937 S 6/2010 Farmer et al.  
D632,419 S 2/2011 Ng et al.  
D633,640 S 3/2011 Wauters  
(Continued)

**OTHER PUBLICATIONS**

Alcon Lighting 12126 Tee Beam Architectural LED Linear Suspended Pendant Mount Indirect JP Light Fixture, Alcon, <https://www.alconlighting.com/12126-tee-beam-pendant.html> (all pages).  
(Continued)

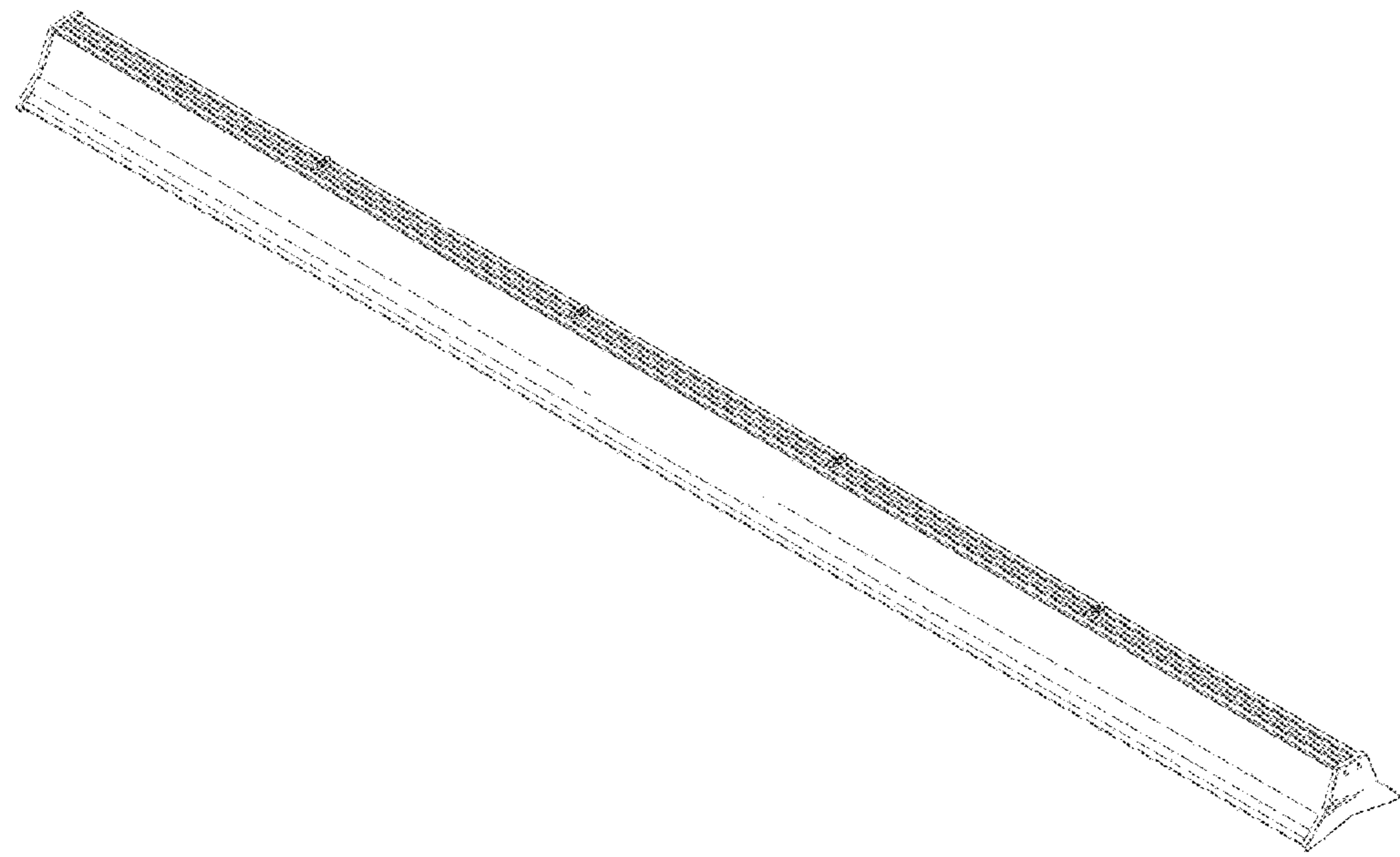
*Primary Examiner* — Natasha Vujcic  
(74) *Attorney, Agent, or Firm* — Anatoly S. Weiser, Esq.; IPLCounsel.com

(57) **CLAIM**  
The ornamental designs for a lighting fixture, as shown and described.

(56) **References Cited**  
**U.S. PATENT DOCUMENTS**  
D255,106 S 5/1980 Bodenrader et al.  
D315,694 S 3/1991 Thorp et al.  
D318,931 S 8/1991 Michael  
D379,545 S 5/1997 Houghton et al.  
D430,688 S 9/2000 Plunk  
D476,753 S \* 7/2003 Chelf ..... D26/3  
D483,510 S 12/2003 Fritze et al.  
D521,675 S 5/2006 Chen  
D532,143 S 11/2006 Woertler  
D535,431 S 1/2007 Roland

**DESCRIPTION**  
FIG. 1 is a perspective view of a design of a lighting fixture; FIG. 2 is a first end view of the design of the lighting fixture, wherein the second end view is a mirror image thereof; FIG. 3 is a top view of the design of the lighting fixture; FIG. 4 is a bottom view of the design of the lighting fixture; and, FIG. 5 is a first side view of the design of the lighting fixture, wherein the second side view is a mirror image thereof.

**1 Claim, 2 Drawing Sheets**



(56)

References Cited

U.S. PATENT DOCUMENTS

D639,479 S 6/2011 Cortes et al.  
 D641,910 S 7/2011 Kong et al.  
 D642,725 S \* 8/2011 Kong ..... D26/76  
 D647,241 S \* 10/2011 Takahashi ..... D26/72  
 D655,442 S \* 3/2012 Sabernig ..... D26/88  
 D663,065 S \* 7/2012 Beghelli ..... D26/76  
 D670,851 S 11/2012 Tsai  
 D693,047 S \* 11/2013 Haumann ..... D26/76  
 D701,990 S 4/2014 Rodgers et al.  
 D704,374 S 5/2014 Notaney et al.  
 D709,636 S \* 7/2014 Murata ..... D26/72  
 D732,233 S 6/2015 Reynolds  
 D732,235 S 6/2015 Reynolds  
 D735,392 S \* 7/2015 Ng ..... D26/76  
 D738,563 S 9/2015 Martins et al.  
 D739,595 S 9/2015 Reynolds  
 D745,993 S 12/2015 Reynolds  
 D747,825 S 1/2016 Reynolds  
 D750,312 S 2/2016 Reynolds  
 D774,235 S 12/2016 Wilke et al.  
 D780,985 S 3/2017 Stanley  
 D786,471 S 5/2017 Snell et al.  
 D786,477 S 5/2017 Lauderdale et al.  
 D787,732 S \* 5/2017 Parker ..... D26/76  
 D792,635 S 7/2017 Reynolds  
 D794,240 S \* 8/2017 Hartman ..... D26/76  
 D802,820 S 11/2017 Stromberg  
 D804,706 S 12/2017 Stanley  
 D819,250 S 5/2018 Ji  
 D822,873 S 7/2018 Bobel  
 D824,569 S 7/2018 Bobel  
 D824,570 S 7/2018 Bobel  
 D825,827 S 8/2018 Stanley  
 D825,828 S 8/2018 Reynolds  
 D826,449 S \* 8/2018 Sonneman ..... D26/76  
 D829,359 S 9/2018 Zhang  
 D833,664 S 11/2018 Verfuether et al.  
 D833,665 S 11/2018 Lewis, Jr. et al.  
 D833,669 S 11/2018 Silvonon

D836,815 S \* 12/2018 Patterson ..... D26/76  
 D855,862 S \* 8/2019 Verfuether ..... D26/76  
 D856,567 S \* 8/2019 Verfuether ..... D26/76  
 D861,947 S 10/2019 Ma  
 D863,657 S 10/2019 Zaderej et al.

OTHER PUBLICATIONS

t5 28w double tube light fitting, Haining Xinguangyuan Lighting Technology Co., Ltd., [https://www.alibaba.com/product-detail/t5-28w-double-tube-light-fitting\\_630342464.html?spm=a2700.details.deiletai6.7.31847dd3PnQp3m](https://www.alibaba.com/product-detail/t5-28w-double-tube-light-fitting_630342464.html?spm=a2700.details.deiletai6.7.31847dd3PnQp3m) (all pages).  
 Residential Lighting T5 Twin Tube Light Fluorescent Ceiling Light Fixture with Aluminum Mirror Reflector, Haining Xinguangyuan Lighting Technology Co., Ltd., [https://www.alibaba.com/product-detail/Residential-Lighting-T5-Twin-Tube-Light\\_60186593745.html](https://www.alibaba.com/product-detail/Residential-Lighting-T5-Twin-Tube-Light_60186593745.html) (all pages).  
 4 ft. 96-Watt Equivalent Integrated LED Black Brushed Nickel Shop Light 4000K High Output 5500 Lumens Linkable, Commercial Electric, <https://www.homedepot.com/p/Commercial-Electric-4-ft-96-Watt-Equivalent-Integrated-LED-Black-Brushed-Nickel-Shop-Light-4000K-High-Output-5500-Lumens-Linkable-54591142/305993226?MERCH=REC--bipsem--305059320--305993226--N> (all pages).  
 Double Tube T5 (5ft) Reflector, Batten Range, <https://www.mr-resistor.co.uk/item.aspx?i=16499> (all pages).  
 Conjuntos de 50X2 M/lote nueva llegada de aluminio led perfil carcasa trapezoidal forma led canal de aluminio para techo en las lámparas, EWILED light Store, <https://es.aliexpress.com/item/32920145781.html> (all pages).  
 2-Light 4 ft. White 4000K LED Shop Light (LED Tubes Included), Toggled, <https://www.homedepot.com/p/toggled-2-Light-4-ft-White-4000K-LED-Shop-Light-LED-Tubes-Included-FH420DE-E1640/302854378> (all pages).  
 CoreLine Trunking, Philips, <https://www.lighting.philips.com/main/prof/indoor-luminaires/light-line-systems/basic-light-line-system/coreline-trunking> (all pages).  
 36" De Metal Halide Pendant, Reef Brite, <https://www.bulkreefsupply.com/36-de-metal-halide-pendant-reef-brite.html> (all pages).

\* cited by examiner

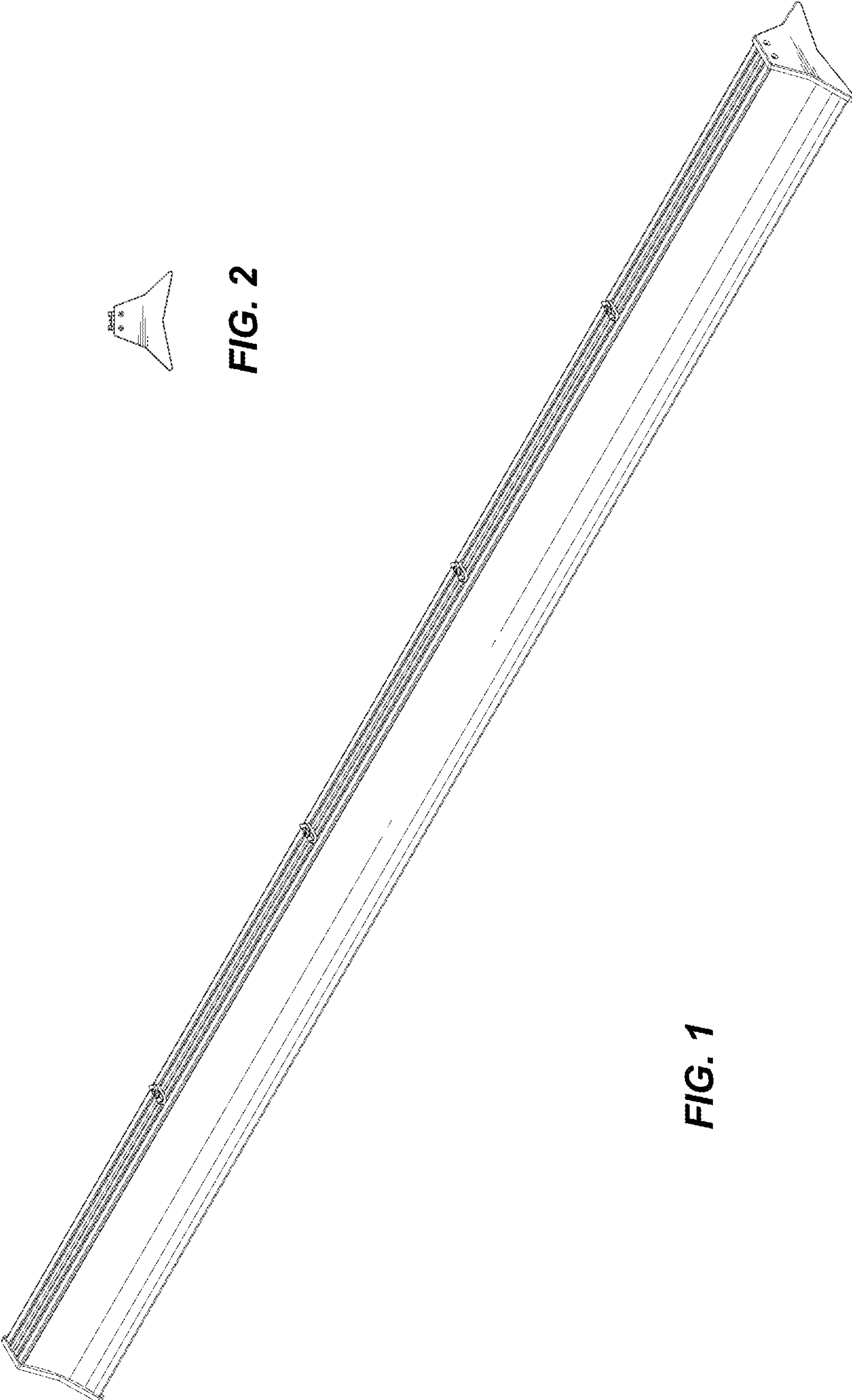


FIG. 1

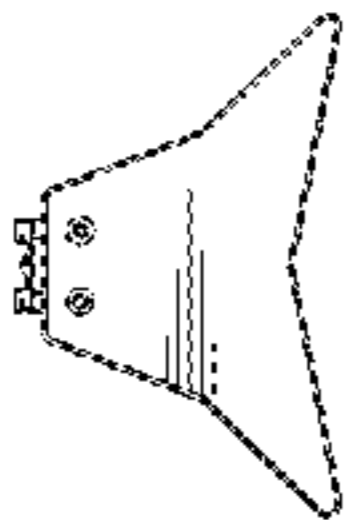
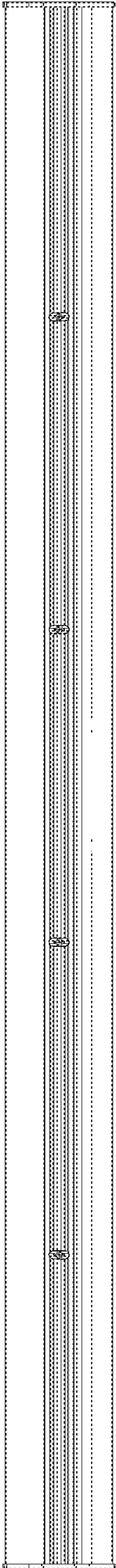
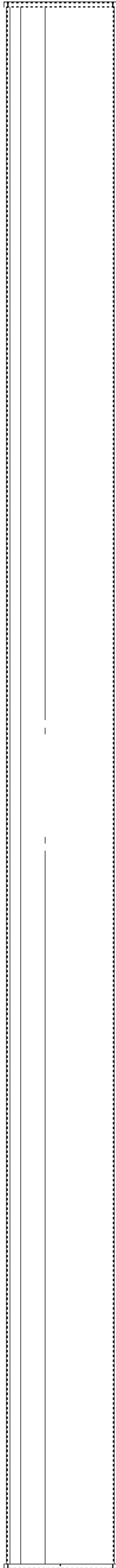


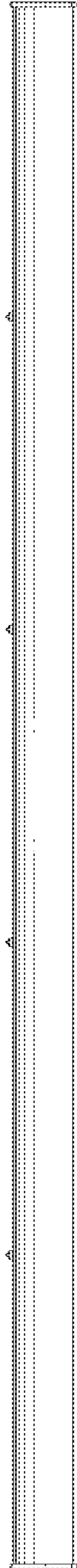
FIG. 2



**FIG. 3**



**FIG. 4**



**FIG. 5**