



US00D885632S

(12) **United States Design Patent**
Chen

(10) **Patent No.:** **US D885,632 S**

(45) **Date of Patent:** **** May 26, 2020**

(54) **SOLAR LIGHT**

(71) Applicant: **Yi Chen, Ji'an (CN)**

(72) Inventor: **Yi Chen, Ji'an (CN)**

(**) Term: **15 Years**

(21) Appl. No.: **29/678,231**

(22) Filed: **Jan. 27, 2019**

(51) **LOC (12) Cl.** **26-05**

(52) **U.S. Cl.**
USPC **D26/67**

(58) **Field of Classification Search**
USPC D26/67-71, 63
CPC F21S 8/08; F21S 8/081; F21S 8/083; F21S
8/088; F21S 9/03; F21S 9/037; F21V
21/0824; F21W 2111/02; F21W 2131/109
See application file for complete search history.

(56) **References Cited**

U.S. PATENT DOCUMENTS

- 4,870,548 A * 9/1989 Beachy F21S 8/081
362/145
- 5,386,356 A * 1/1995 Davis, Jr. F21S 8/081
362/267
- D399,583 S * 10/1998 Giese D26/63
- D424,731 S * 5/2000 Landefeld D26/63

- D567,979 S * 4/2008 Starck D26/63
- D574,532 S * 8/2008 Lee D26/63
- D637,332 S * 5/2011 Lee D26/63
- D797,342 S * 9/2017 Rousseau D26/63
- D797,973 S * 9/2017 Rousseau D26/63
- D825,808 S * 8/2018 Hsu D26/68
- 2010/0265715 A1 * 10/2010 Winstanley F21S 2/00
362/277
- 2016/0238221 A1 * 8/2016 Lentine G02B 7/006
- 2016/0341379 A1 * 11/2016 Hoffman F21V 17/007

* cited by examiner

Primary Examiner — Clare E Heflin

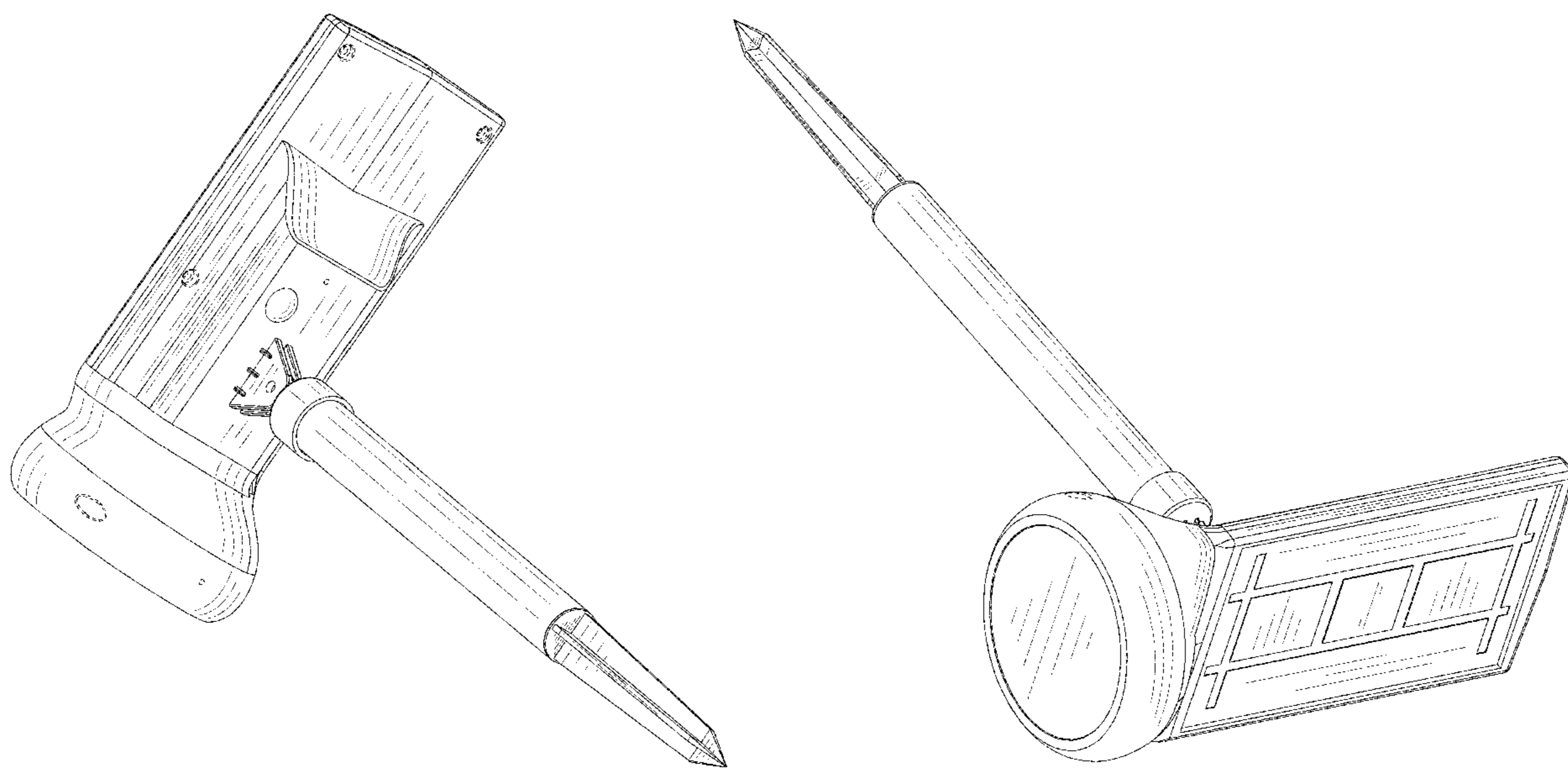
(57) **CLAIM**

The ornamental design for a solar light, as shown and described.

DESCRIPTION

FIG. 1 is a bottom, rear perspective view of the solar light showing my new design;
 FIG. 2 is a top, front perspective view thereof;
 FIG. 3 is a front elevational view thereof;
 FIG. 4 is a rear elevational view thereof;
 FIG. 5 is a left side elevational view thereof;
 FIG. 6 is a right side elevational view thereof;
 FIG. 7 is a top plan view thereof; and,
 FIG. 8 is a bottom plan view thereof.
 The broken lines depict the portions that form no part of the claimed design.

1 Claim, 7 Drawing Sheets



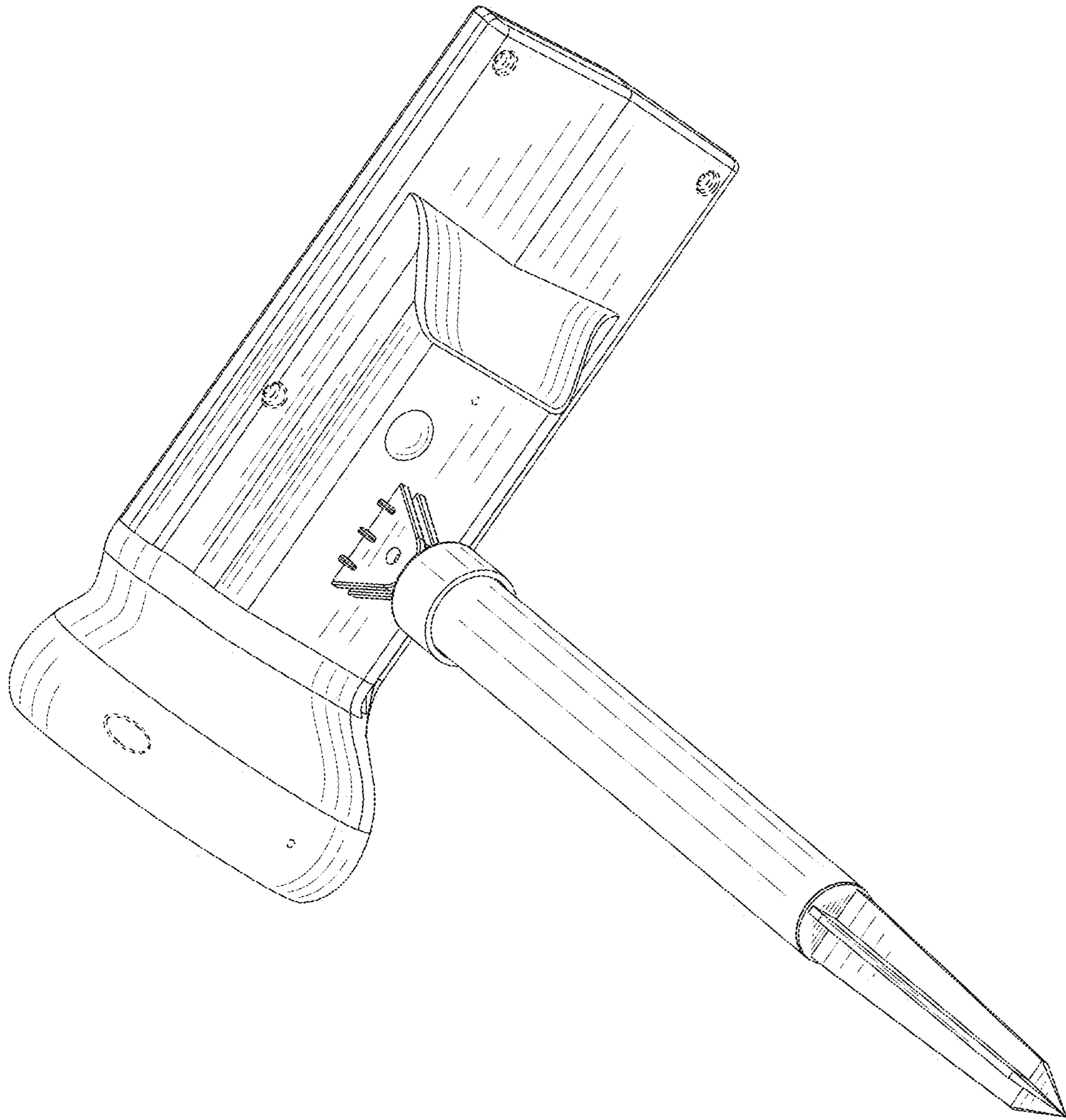


FIG. 1

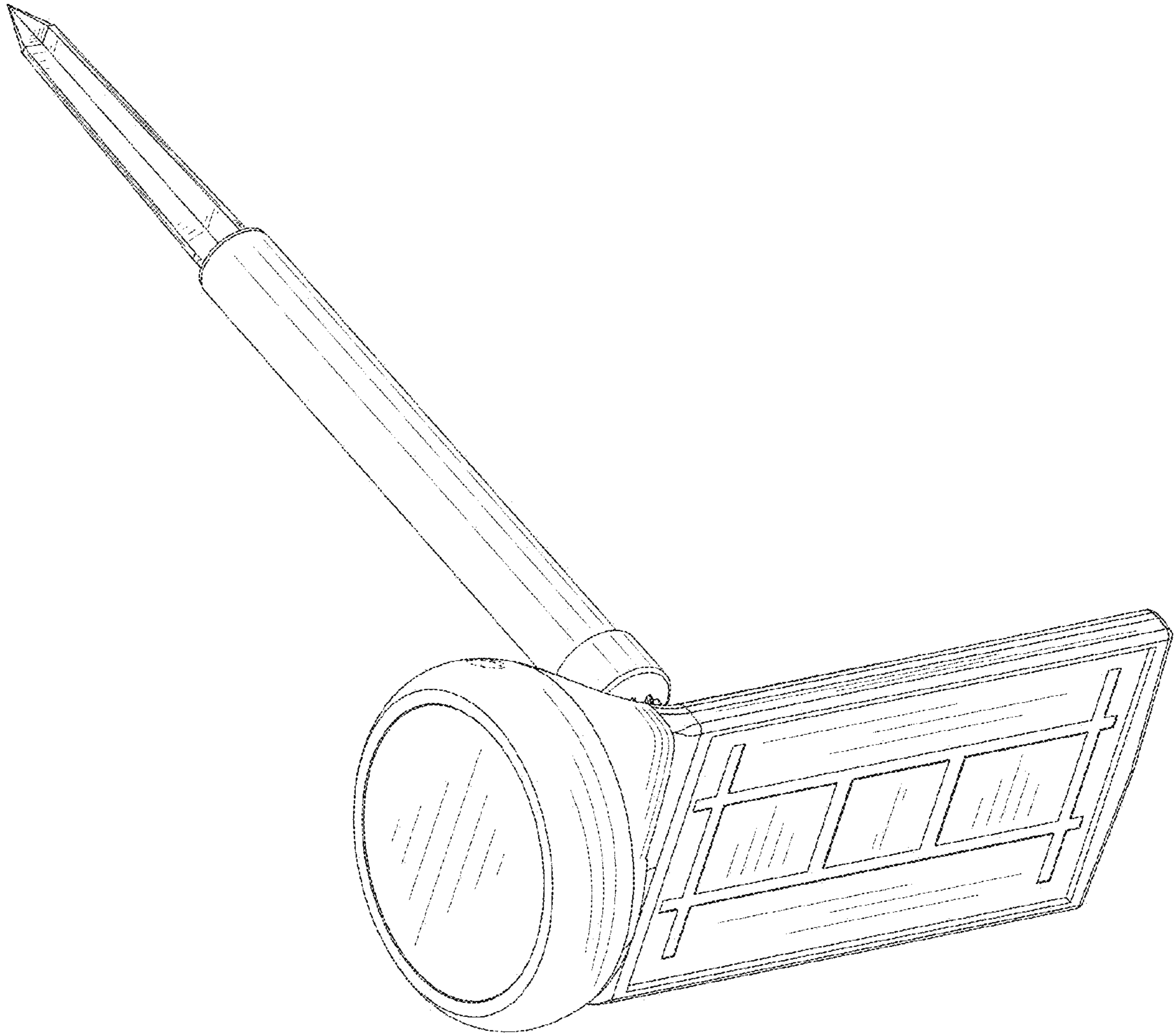


FIG. 2

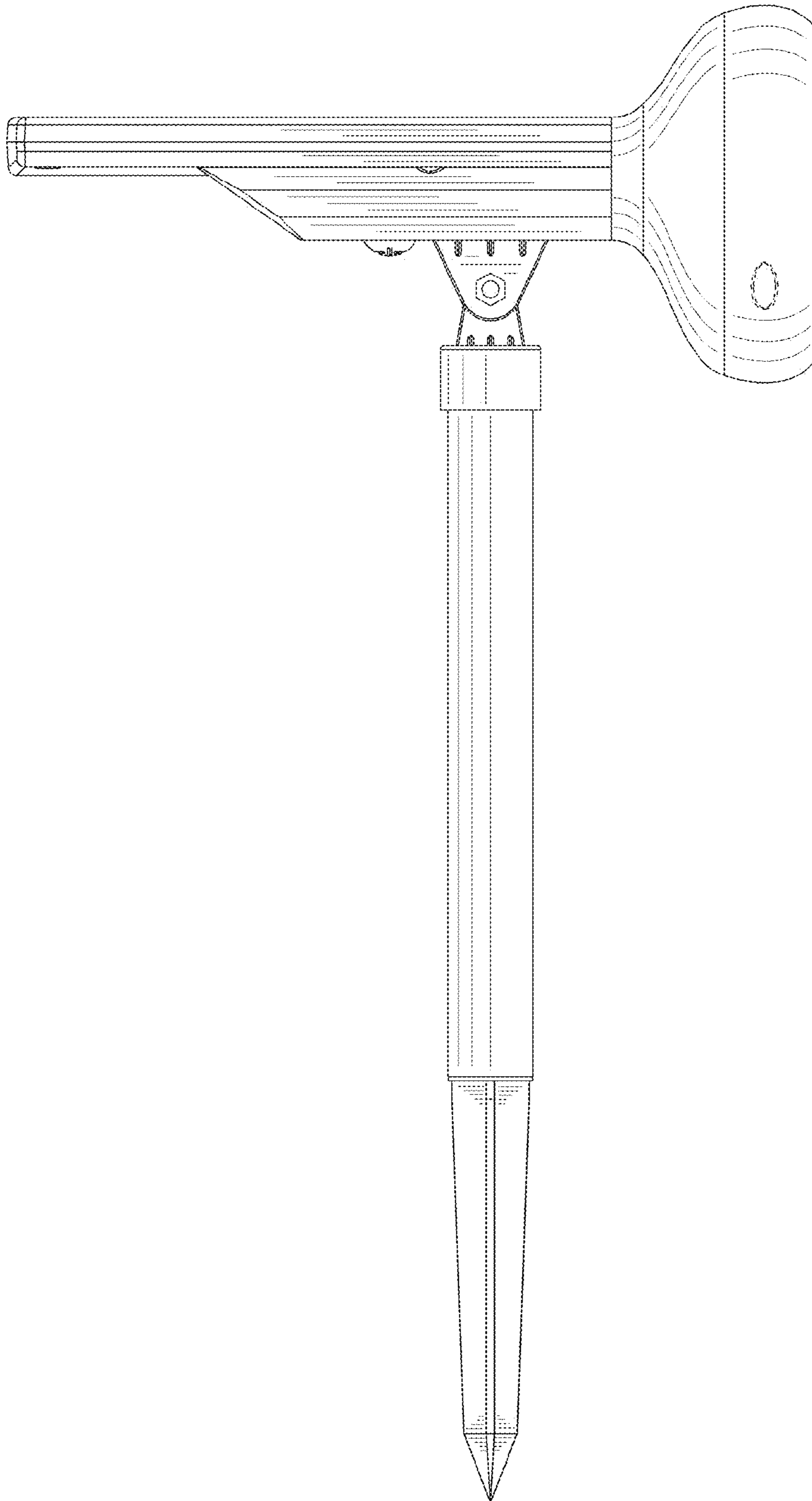


FIG. 3

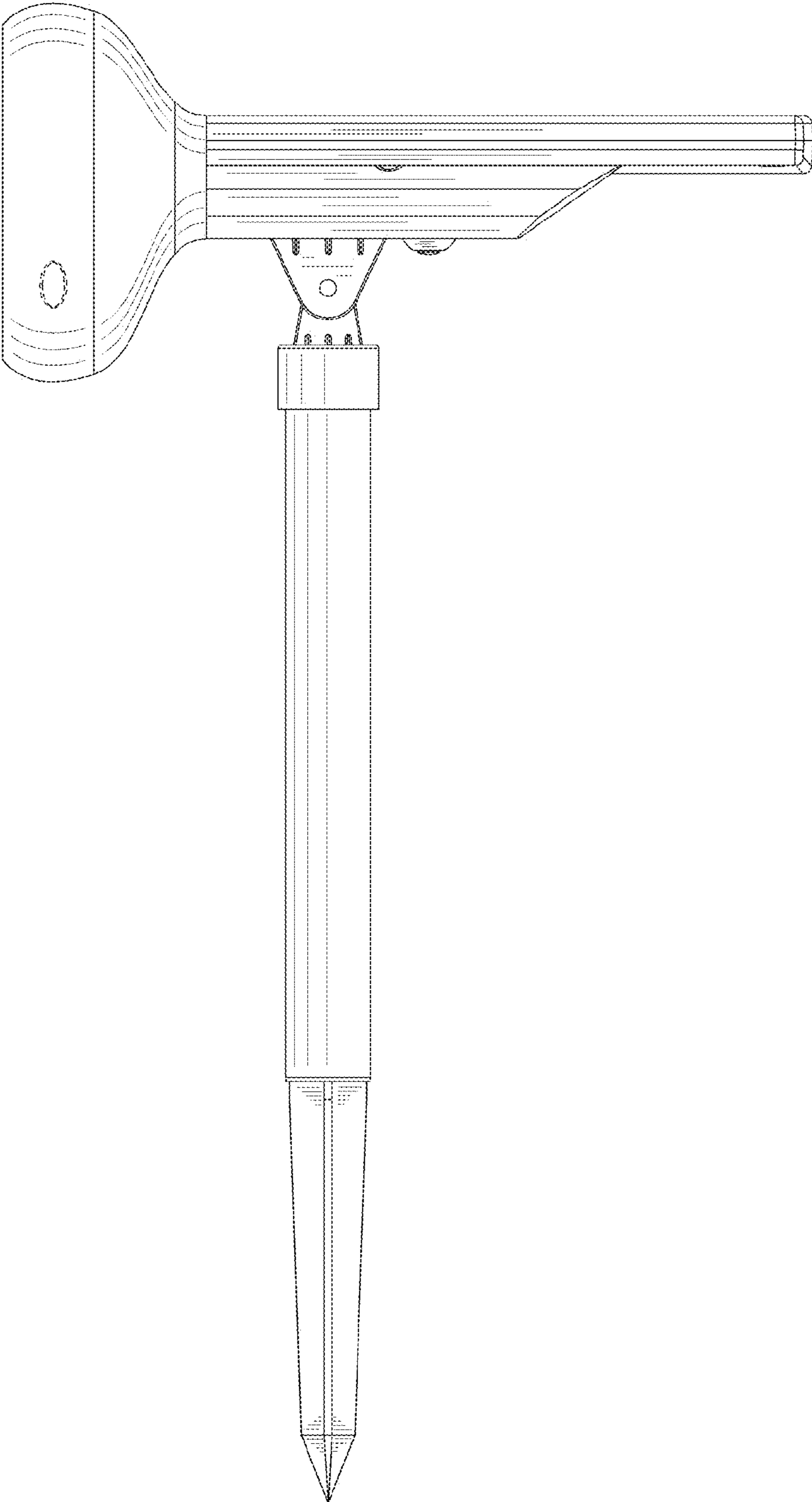


FIG.4

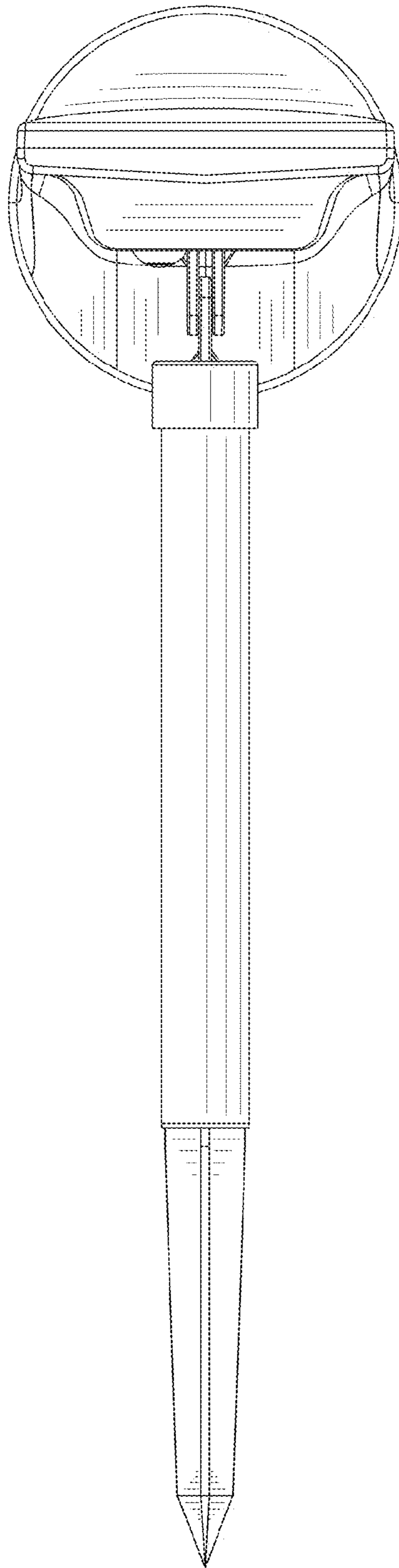


FIG. 5

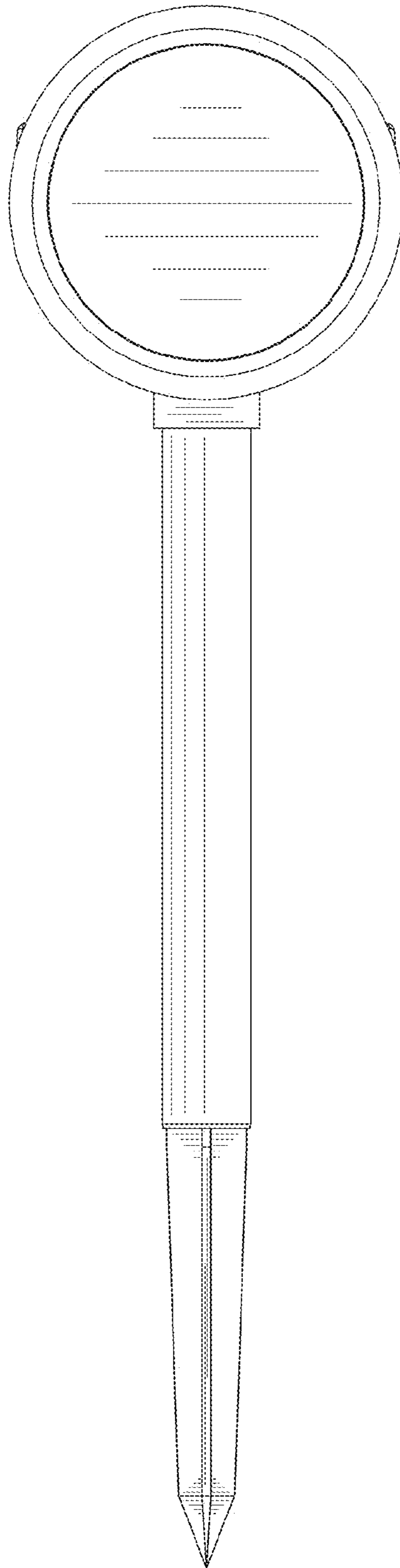


FIG.6

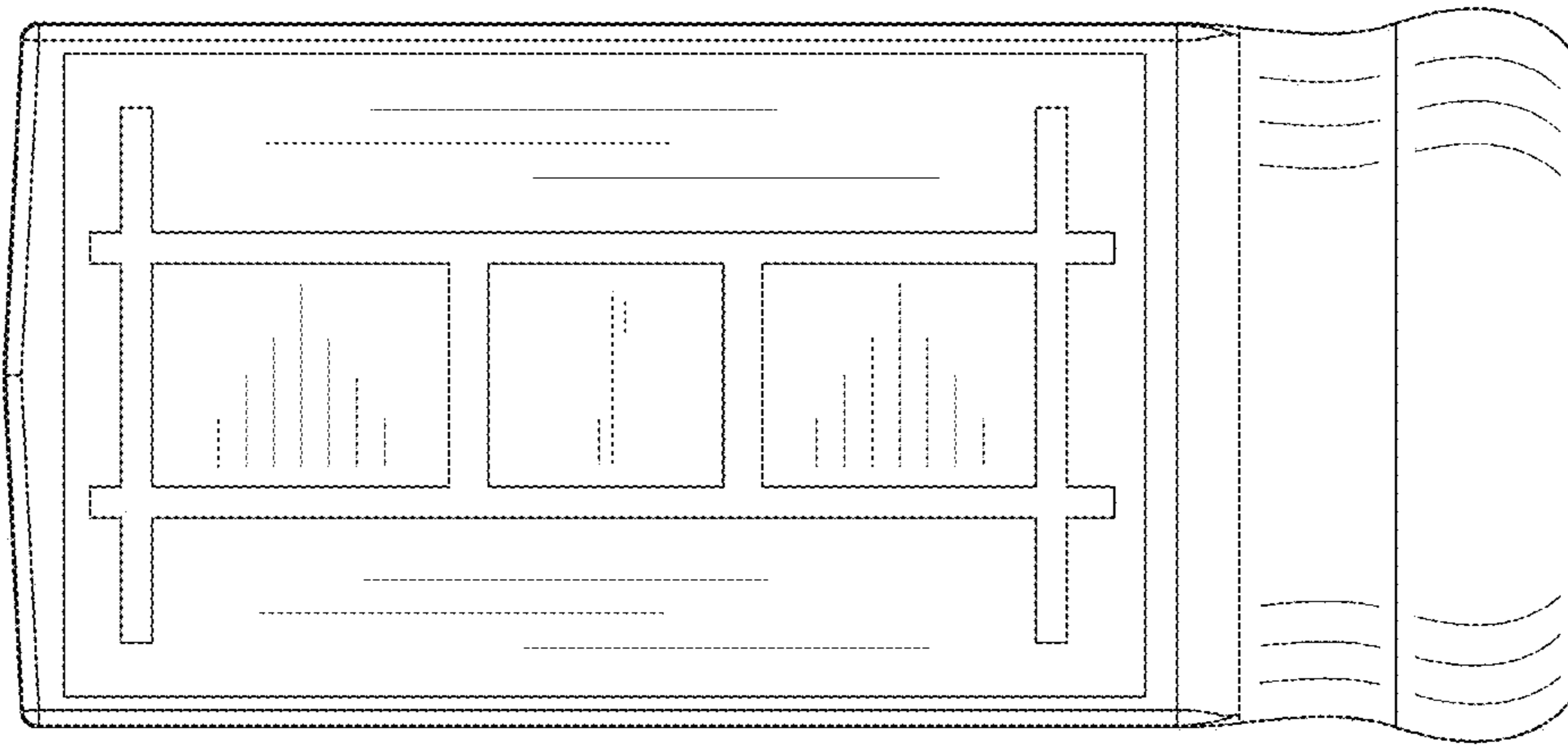


FIG. 7

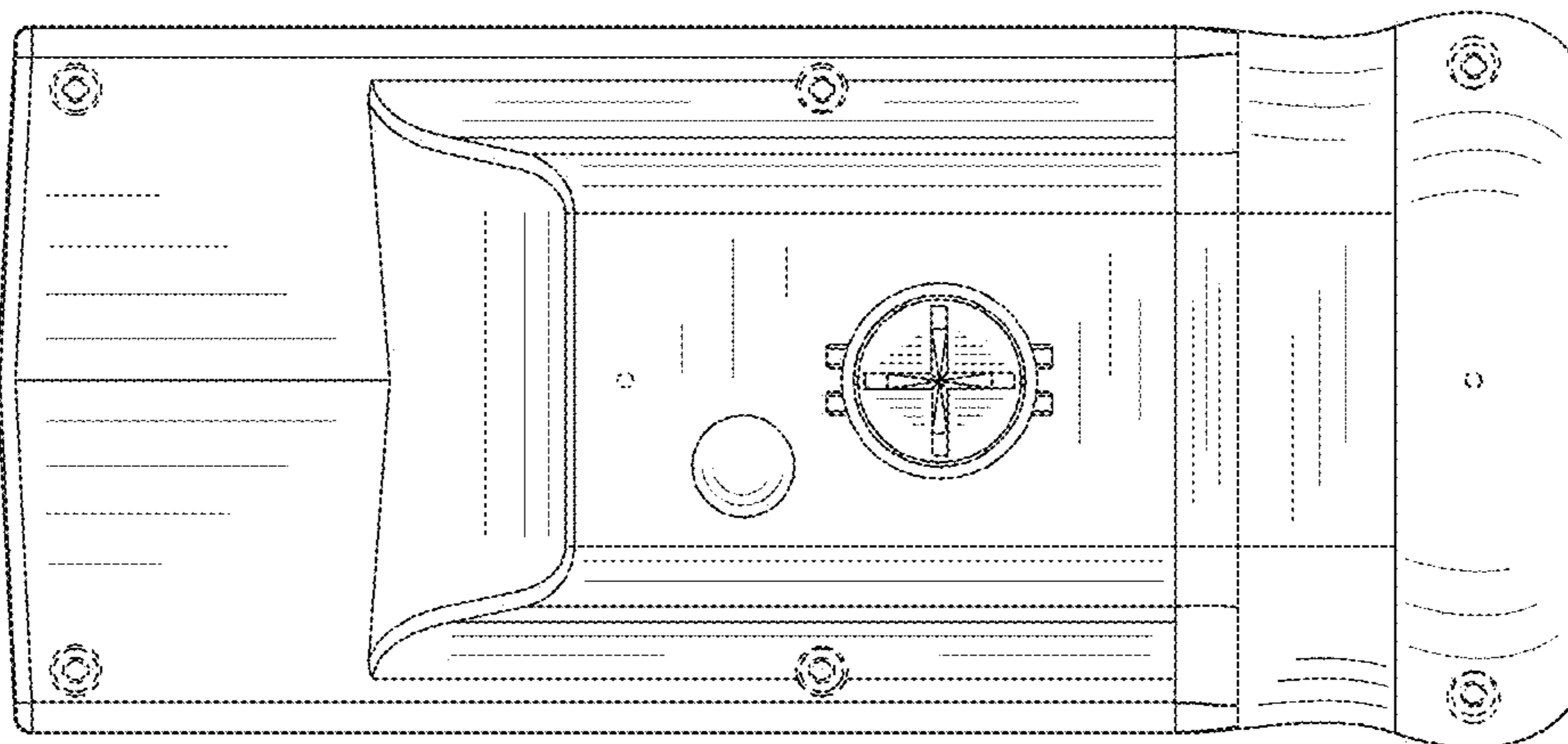


FIG. 8