



US00D885630S

(12) **United States Design Patent**
Lin

(10) **Patent No.:** **US D885,630 S**

(45) **Date of Patent:** **** May 26, 2020**

(54) **GARAGE LIGHT**

(71) Applicant: **Xiuyan Lin**, Puning (CN)

(72) Inventor: **Xiuyan Lin**, Puning (CN)

(**) Term: **15 Years**

(21) Appl. No.: **29/726,357**

(22) Filed: **Mar. 3, 2020**

(51) **LOC (12) Cl.** **26-03**

(52) **U.S. Cl.**
USPC **D26/63; D26/2**

(58) **Field of Classification Search**
USPC D26/2, 24, 61, 63, 65, 72, 81, 83, 92
CPC .. F21S 8/036; F21S 8/038; F21S 8/043; F21S
8/081; F21S 8/083; F21S 8/085; F21S
8/086; F21S 8/088; F21S 13/10; F21S
9/03; F21S 9/035; F21S 9/037; F21S
10/063; F21S 6/003

See application file for complete search history.

(56) **References Cited**

U.S. PATENT DOCUMENTS

4,528,618 A *	7/1985	Bitsch	F21S 6/003 362/220
D357,993 S *	5/1995	Yuen	D26/65
D578,696 S *	10/2008	Wang	D26/63
D650,937 S *	12/2011	Horsley	D26/65
D690,859 S *	10/2013	Mollaghaffari	D26/63

D745,201 S	12/2015	Lee	
D770,657 S *	11/2016	Fang	D26/63
D822,868 S *	7/2018	Liu	D26/63
D861,926 S *	10/2019	Lin	D26/2
D870,943 S *	12/2019	Kuang	D26/65

* cited by examiner

Primary Examiner — Brian N. Vinson

(74) *Attorney, Agent, or Firm* — ZANIP

(57) **CLAIM**

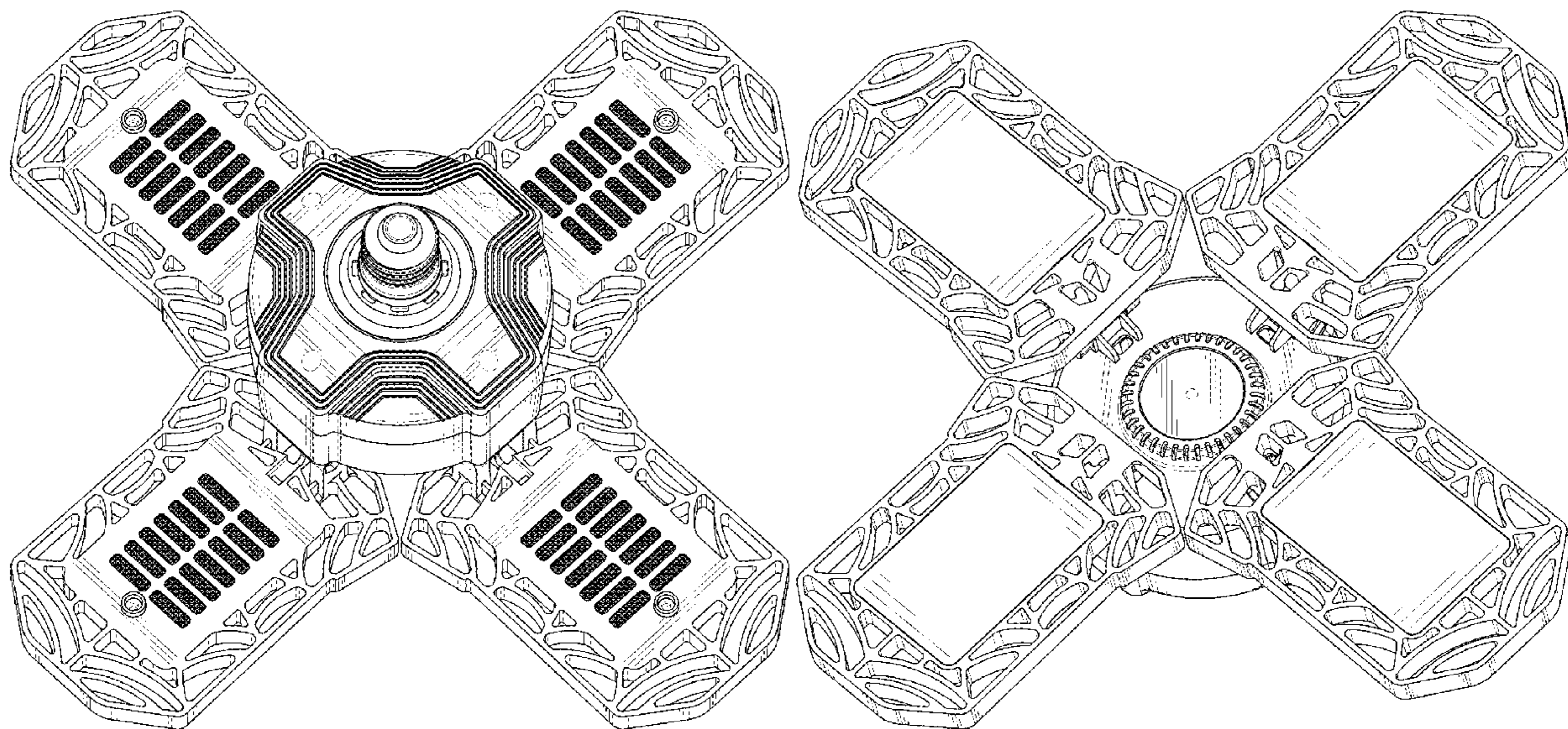
The ornamental design for a garage light, as shown and described.

DESCRIPTION

FIG. 1 is a front and top perspective view of a garage light, showing my new design;
FIG. 2 is a rear and bottom perspective view thereof;
FIG. 3 is a front elevational view thereof;
FIG. 4 is a rear elevational view thereof;
FIG. 5 is a left side elevational view thereof;
FIG. 6 is a right side elevational view thereof;
FIG. 7 is a top plan view thereof;
FIG. 8 is a bottom plan view thereof; and,
FIG. 9 is an enlarge view of a portion in FIG. 1.

The broken lines in the figures illustrate portions of the garage light that form no part of the claimed design. The dash dot dash lines in FIG. 9 are for the purpose of depicting the cut line of the enlarged view and form no part of the claim.

1 Claim, 9 Drawing Sheets



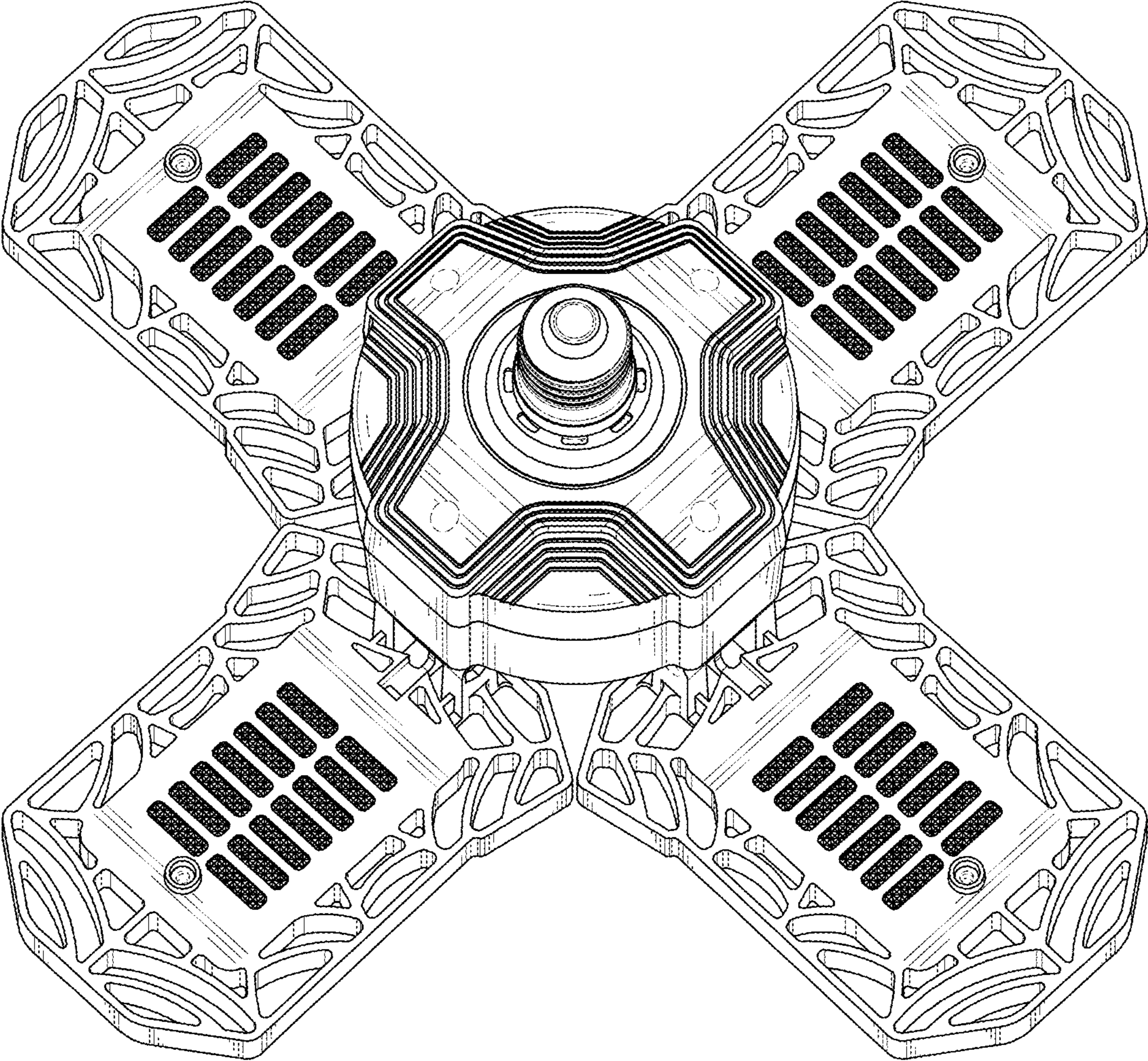


FIG. 1

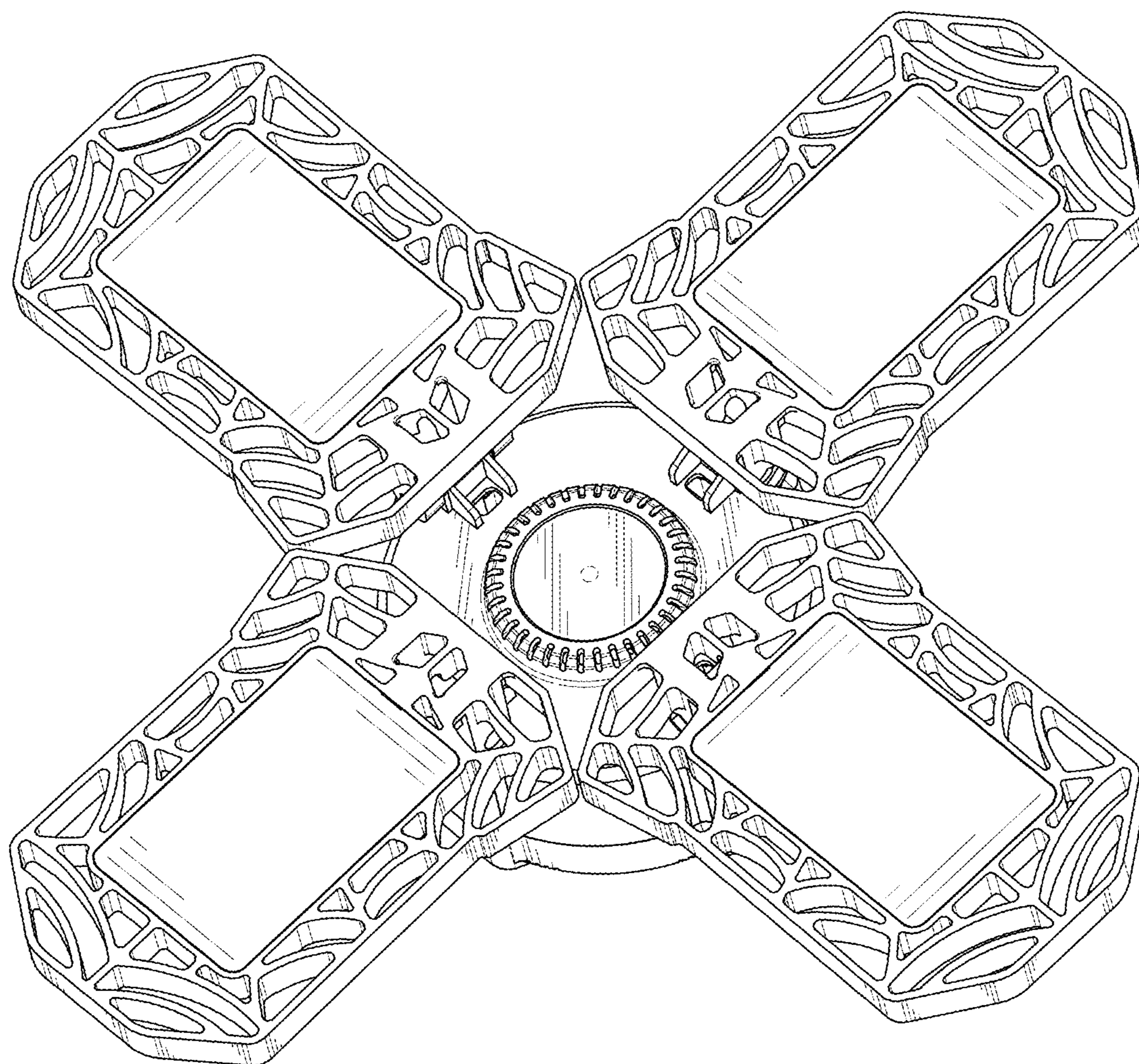


FIG. 2

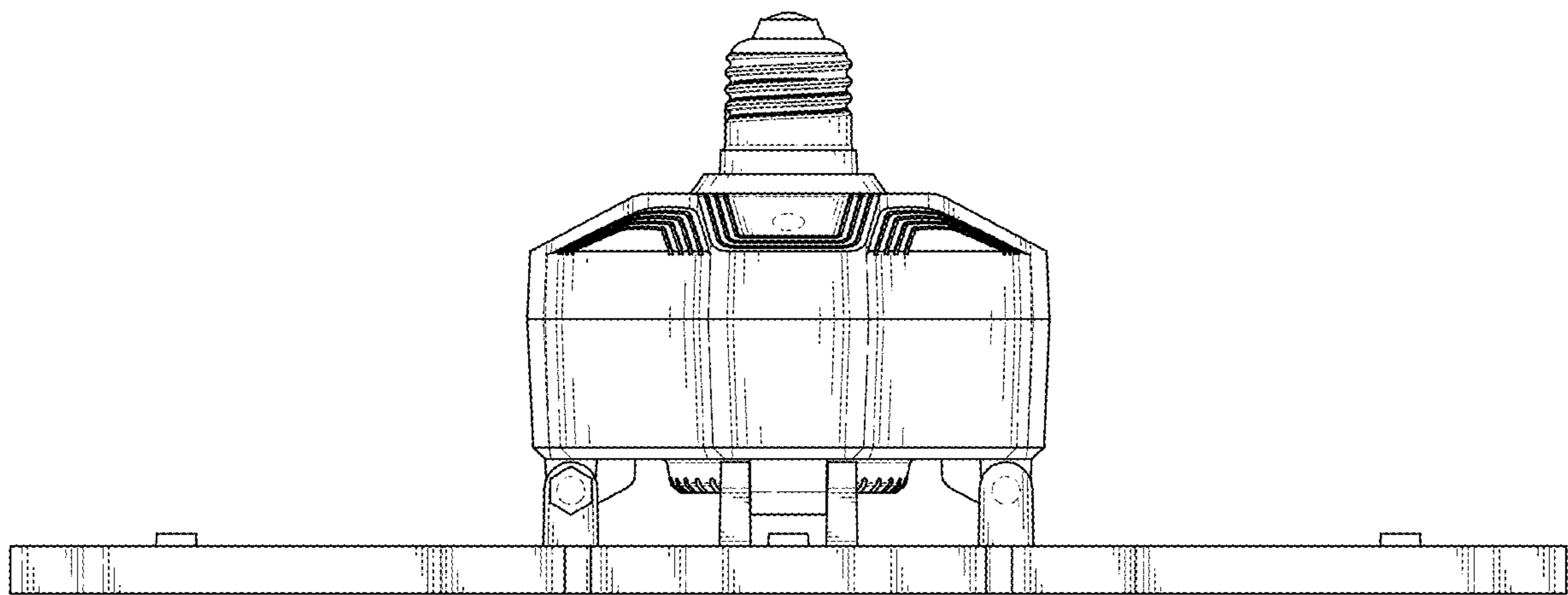


FIG. 3

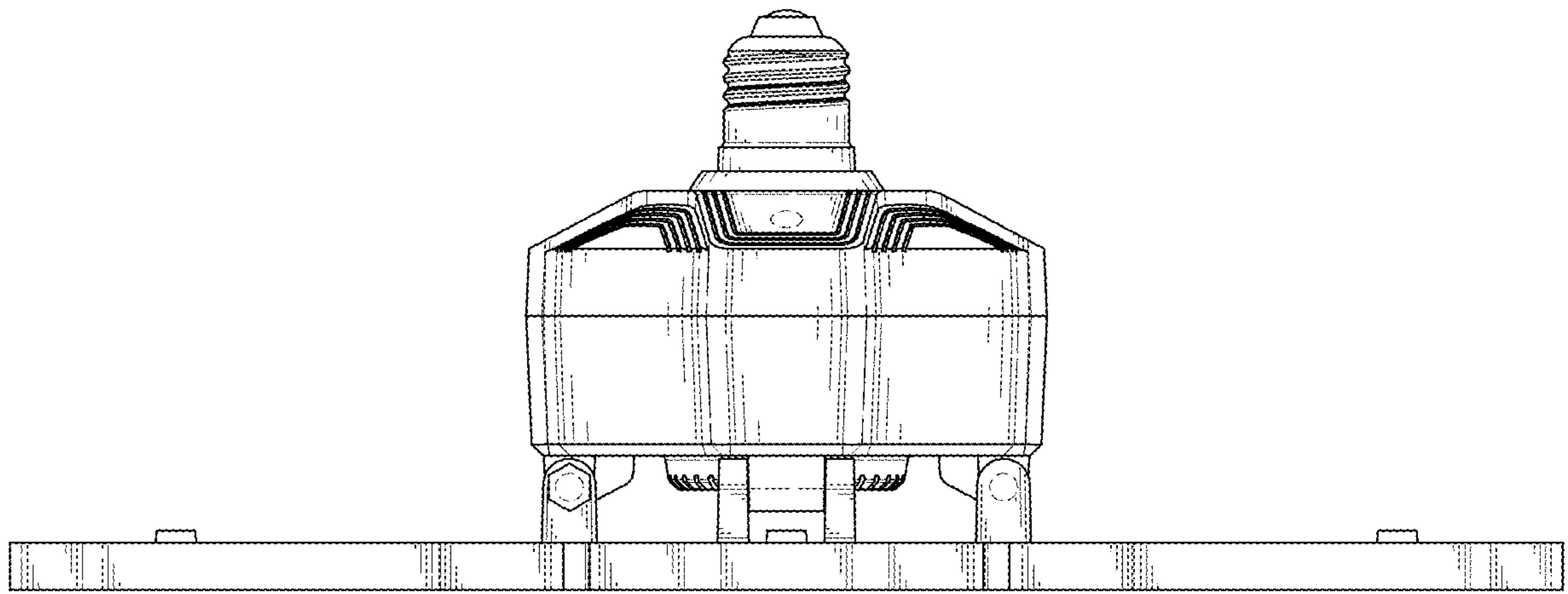


FIG. 4

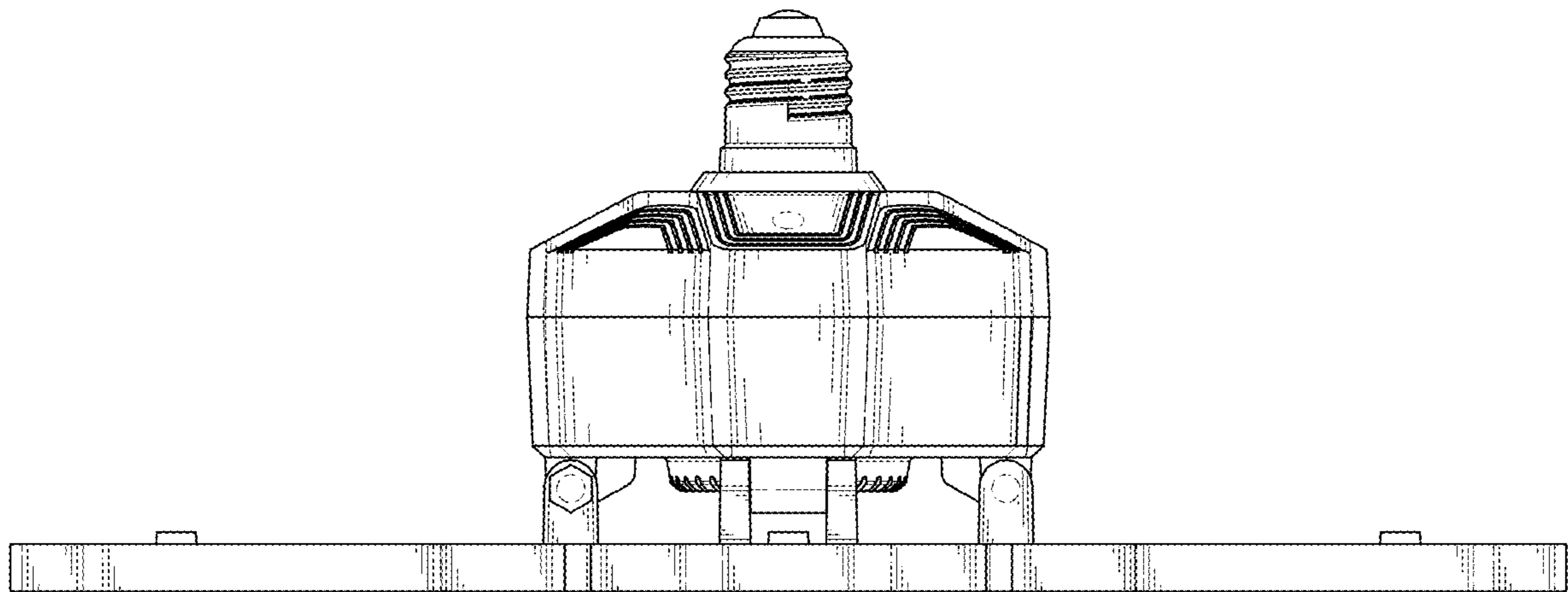


FIG. 5

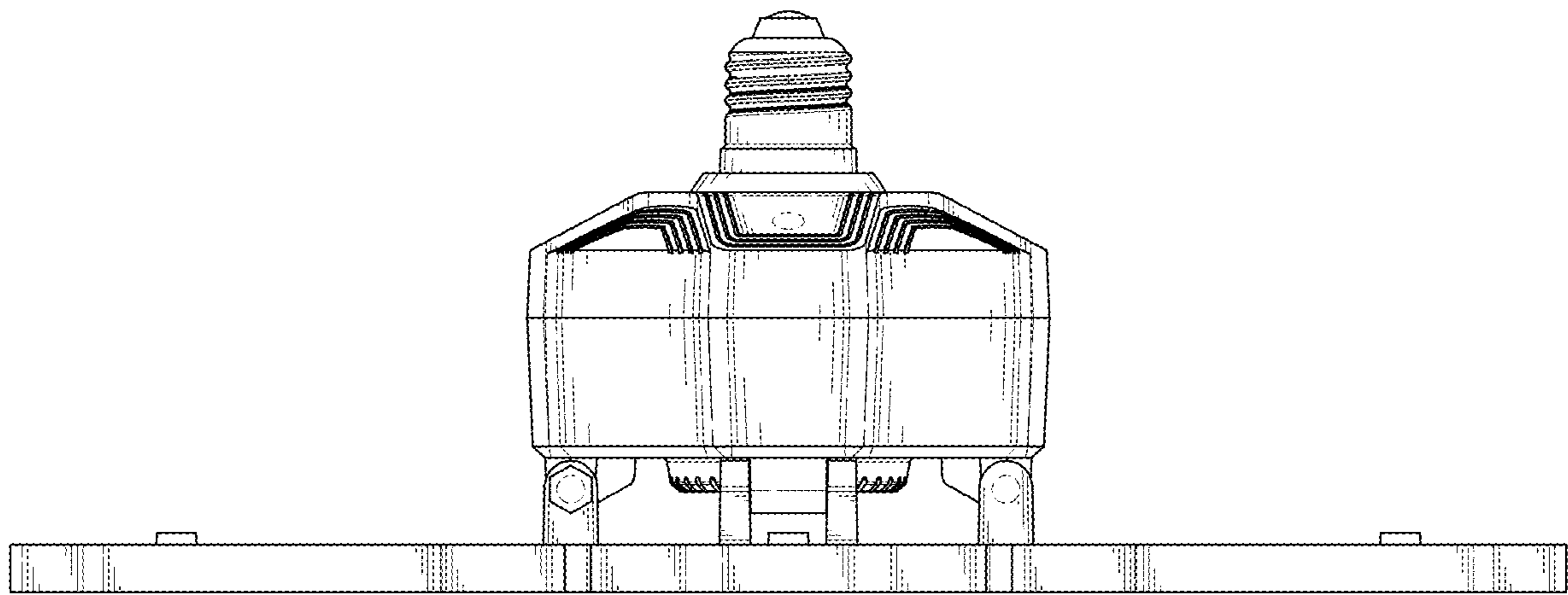


FIG. 6

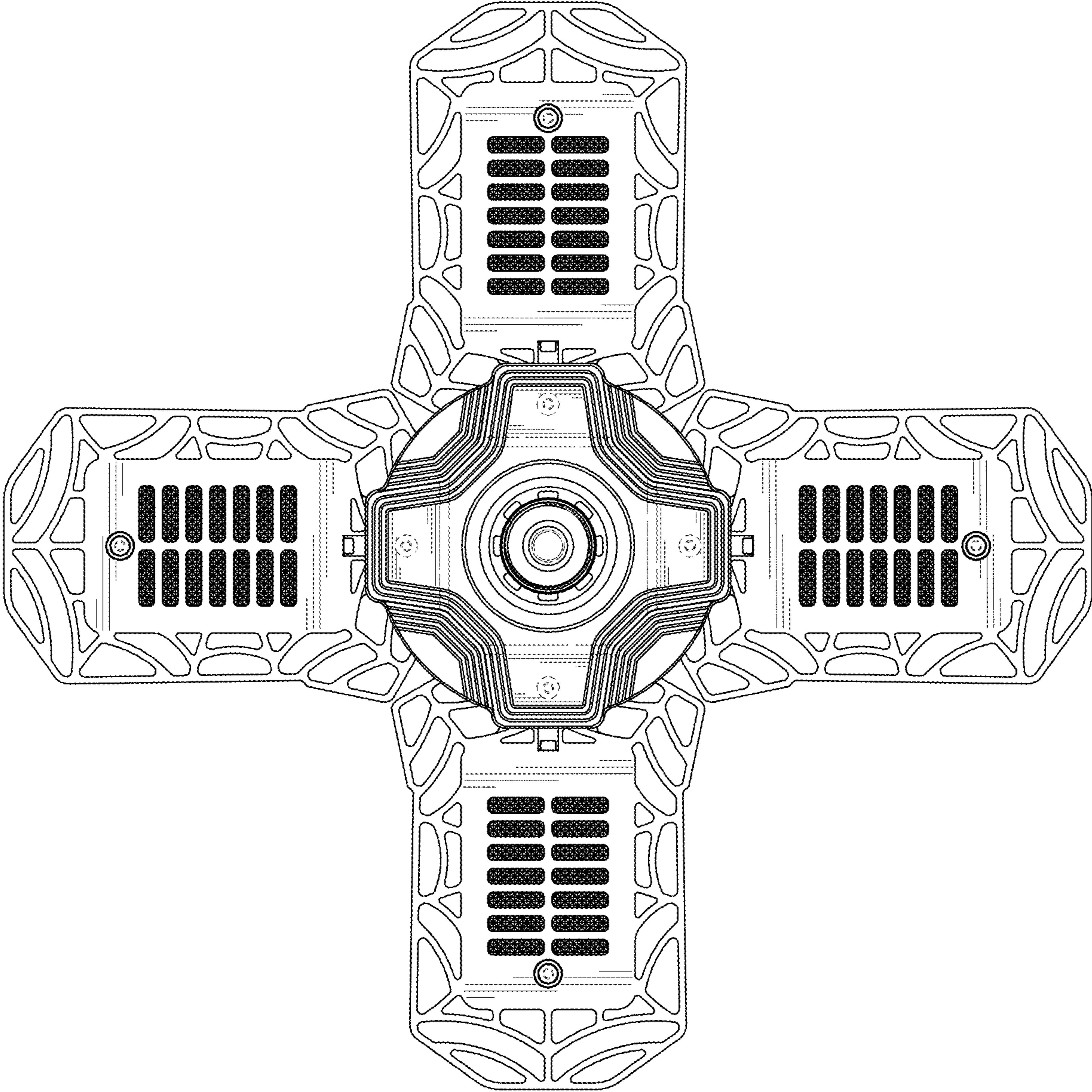


FIG. 7

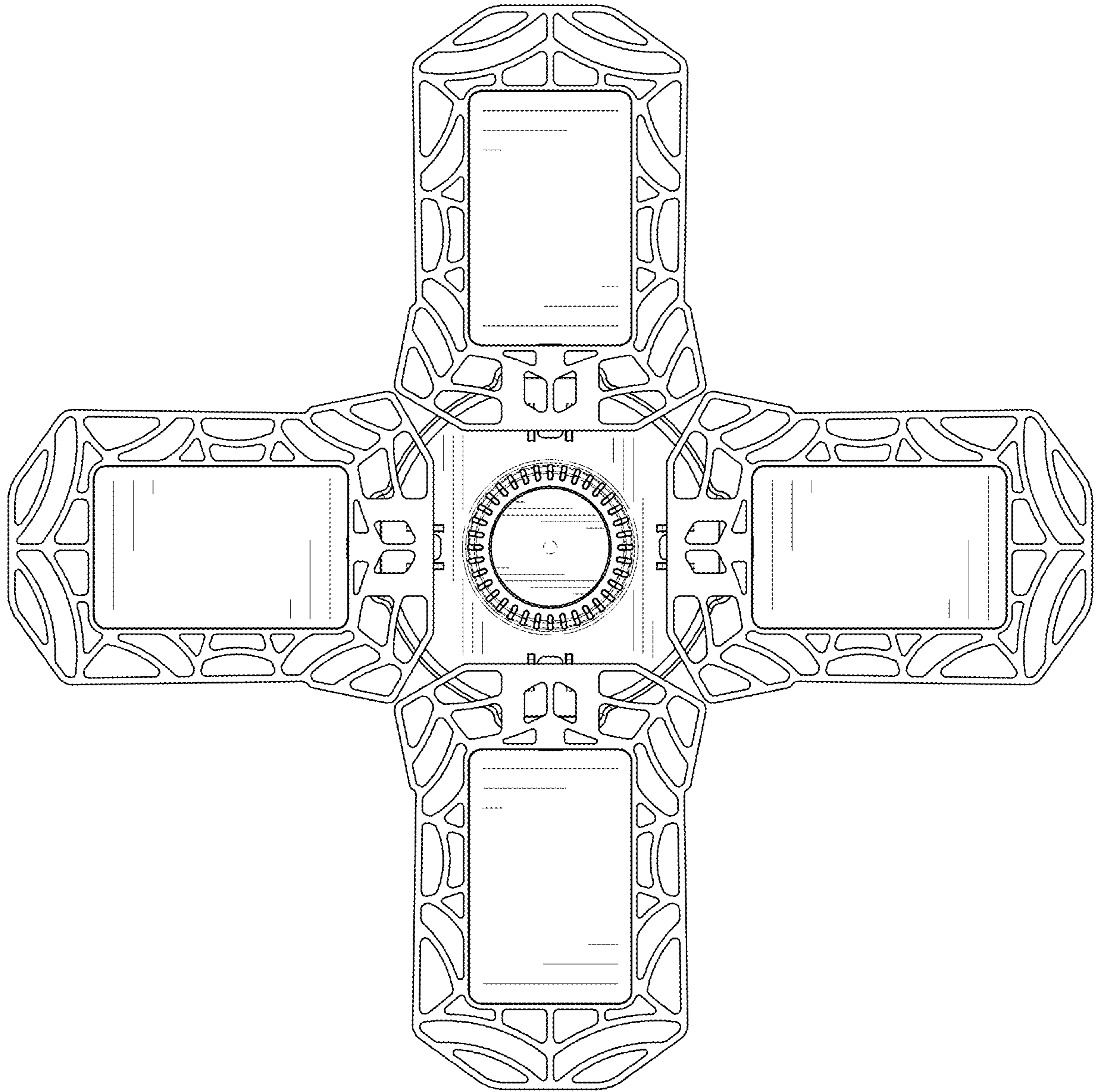


FIG. 8

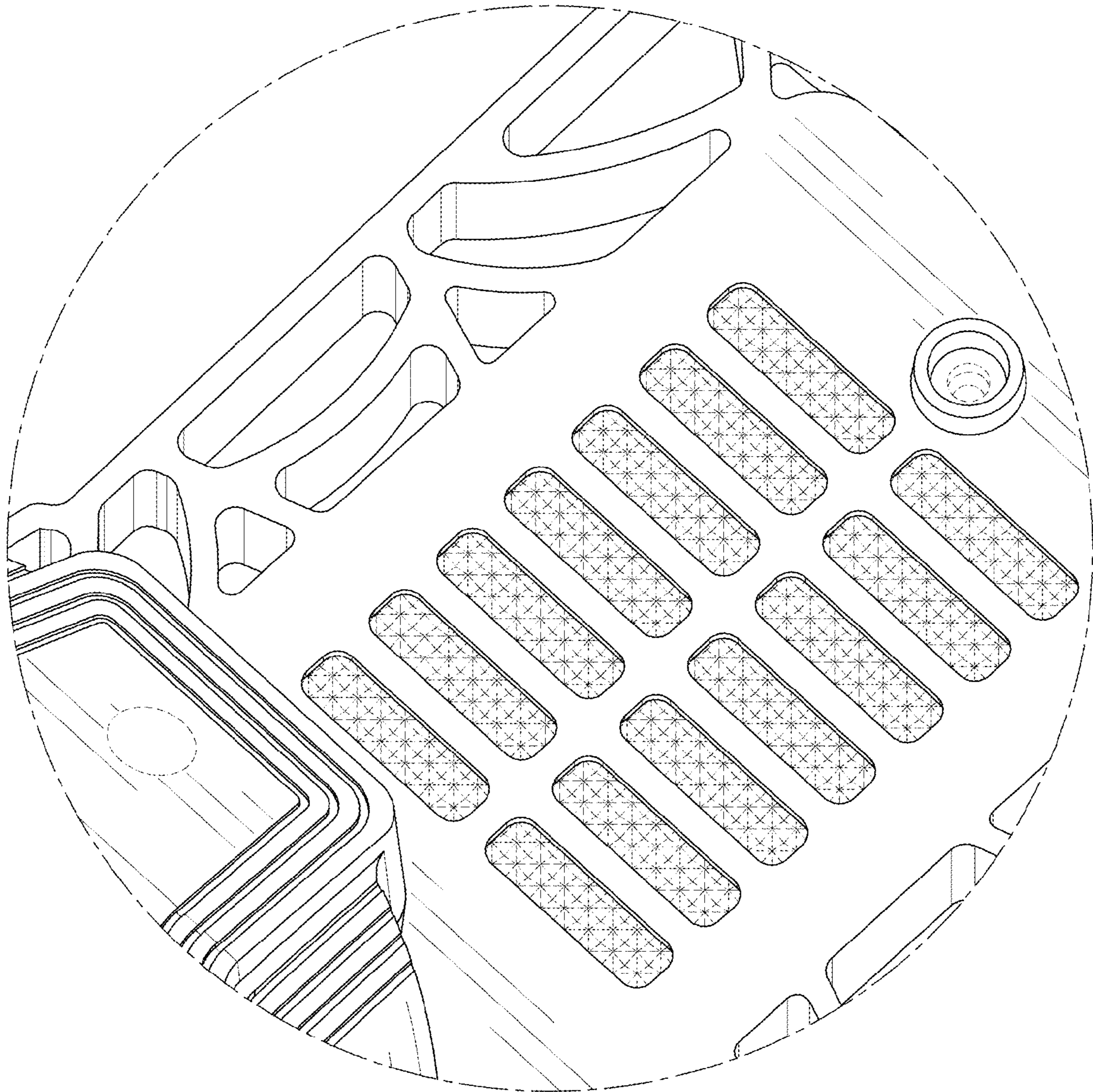


FIG. 9