



US00D885629S

(12) **United States Design Patent**  
**Liu**

(10) **Patent No.:** **US D885,629 S**  
(45) **Date of Patent:** **\*\* May 26, 2020**

(54) **GARAGE LIGHT**

(71) Applicant: **SHENZHEN ZHONGHE NETWORK TECHNOLOGY CO., LTD**, Shenzhen (CN)

(72) Inventor: **Peng Liu**, Shenzhen (CN)

(73) Assignee: **SHENZHEN ZHONGHE NETWORK TECHNOLOGY CO., LTD**, Shenzhen (CN)

(\*\*) Term: **15 Years**

(21) Appl. No.: **29/723,000**

(22) Filed: **Feb. 4, 2020**

(51) **LOC (12) Cl.** ..... **26-03**

(52) **U.S. Cl.**  
USPC ..... **D26/63; D26/2**

(58) **Field of Classification Search**  
USPC ..... D26/2, 24, 61, 63, 65, 72, 81, 83, 92  
CPC .. F21S 8/036; F21S 8/038; F21S 8/043; F21S 8/081; F21S 8/083; F21S 8/085; F21S 8/086; F21S 8/088; F21S 13/10; F21S 9/03; F21S 9/035; F21S 9/037; F21S 10/063; F21S 6/003

See application file for complete search history.

(56) **References Cited**

**U.S. PATENT DOCUMENTS**

4,528,618 A \* 7/1985 Bitsch ..... F21S 6/003  
362/220  
D357,993 S \* 5/1995 Yuen ..... D26/65

D578,696 S \* 10/2008 Wang ..... D26/63  
D650,937 S \* 12/2011 Horsley ..... D26/65  
D687,585 S 8/2013 Kim et al.  
D690,859 S \* 10/2013 Mollaghaffari ..... D26/63  
D702,867 S 4/2014 Kim et al.  
D770,657 S \* 11/2016 Fang ..... D26/63  
D822,868 S \* 7/2018 Liu ..... D26/63  
D861,926 S \* 10/2019 Lin ..... D26/2  
D870,943 S \* 12/2019 Kuang ..... D26/65

\* cited by examiner

*Primary Examiner* — Brian N. Vinson

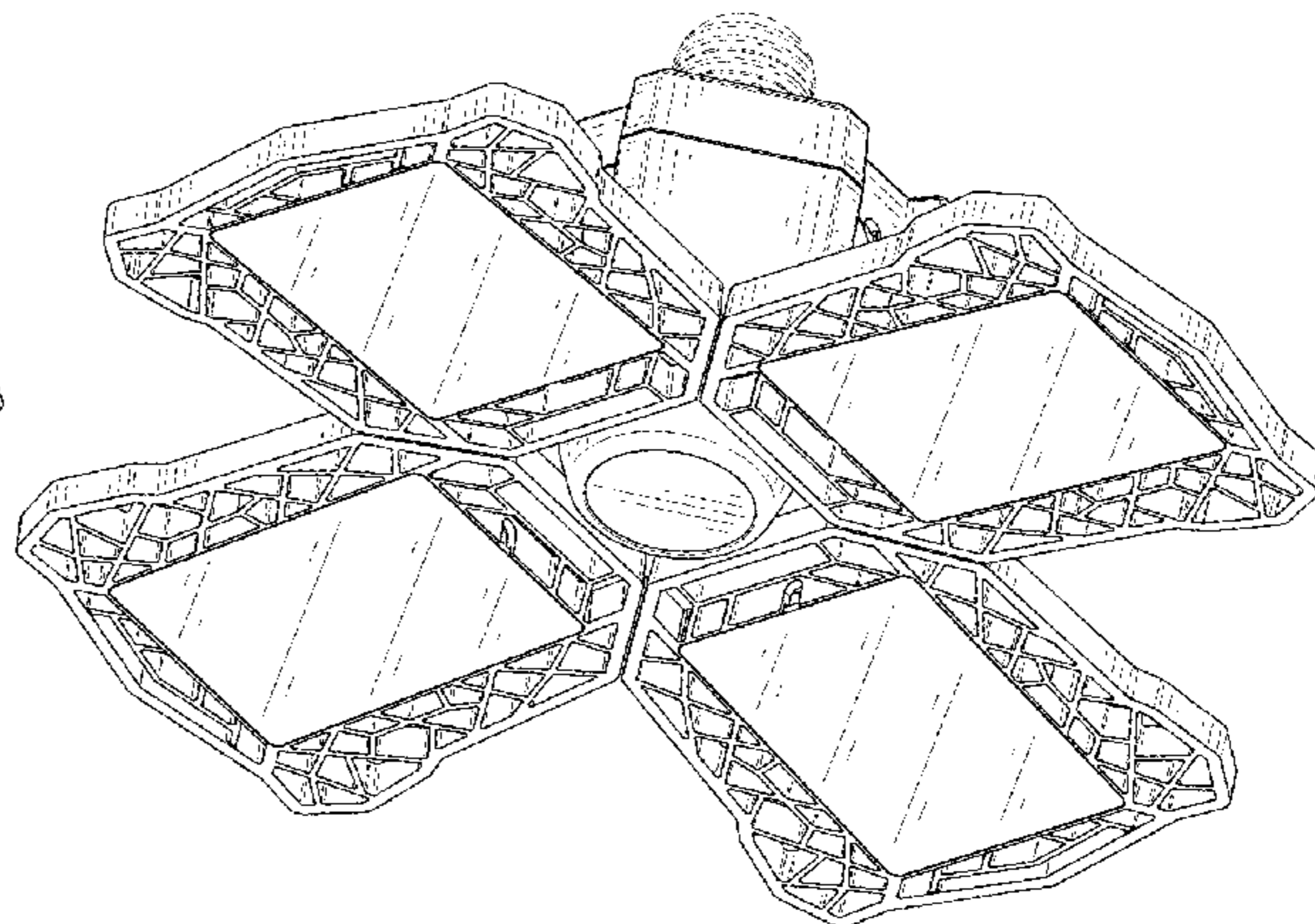
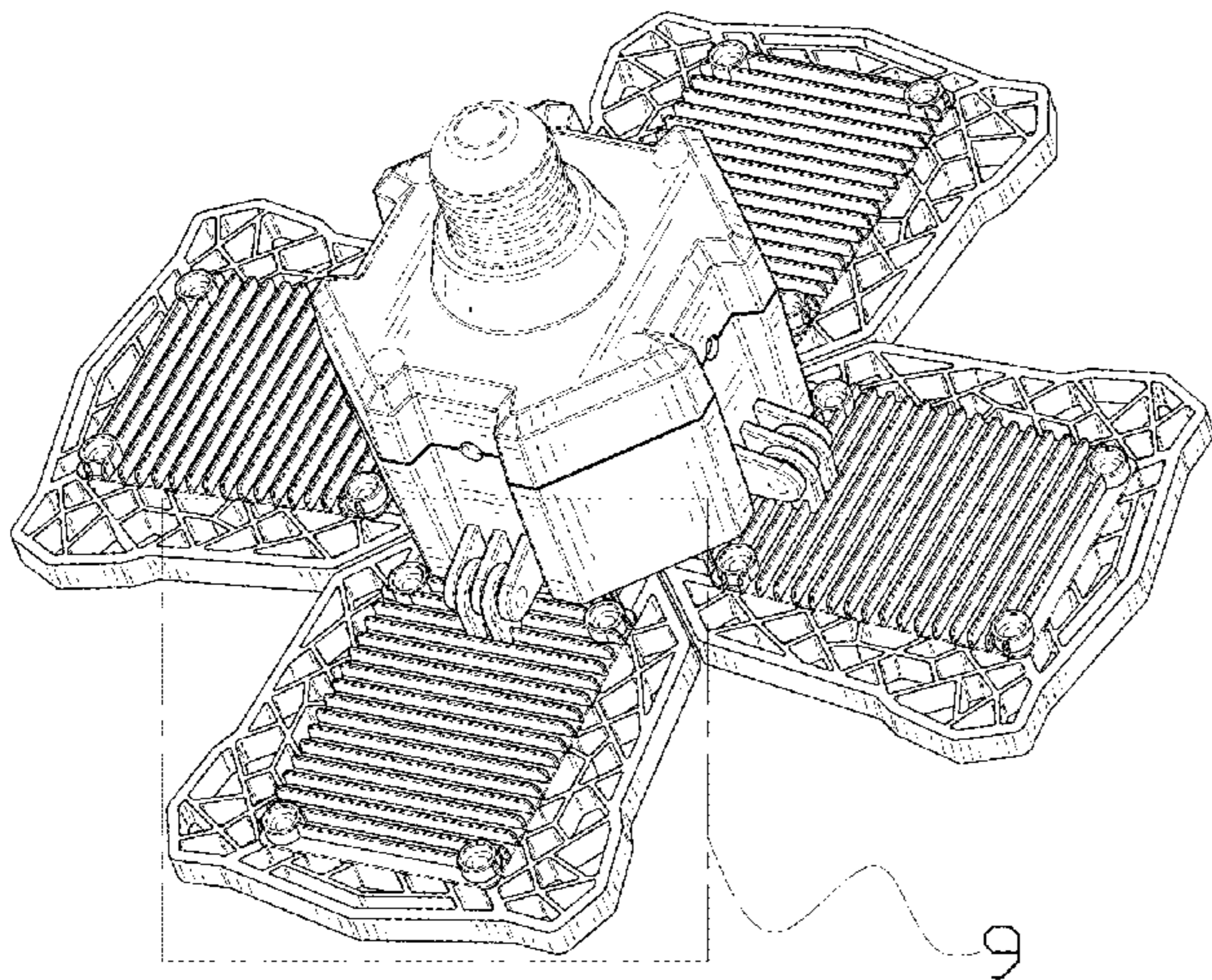
(57) **CLAIM**

The ornamental design for a garage light, as shown and described.

**DESCRIPTION**

FIG. 1 is a perspective view of a garage light showing my new design;  
FIG. 2 is another perspective view thereof;  
FIG. 3 is a front elevational view thereof;  
FIG. 4 is a rear elevational view thereof;  
FIG. 5 is a left side elevational view thereof;  
FIG. 6 is a right side elevational view thereof;  
FIG. 7 is a top plan view thereof;  
FIG. 8 is a bottom plan view thereof; and,  
FIG. 9 is an enlarged view of portion 9 shown in FIG. 1.  
The broken lines in the drawings depict portions of the garage light that form no part of the claimed design.

**1 Claim, 9 Drawing Sheets**



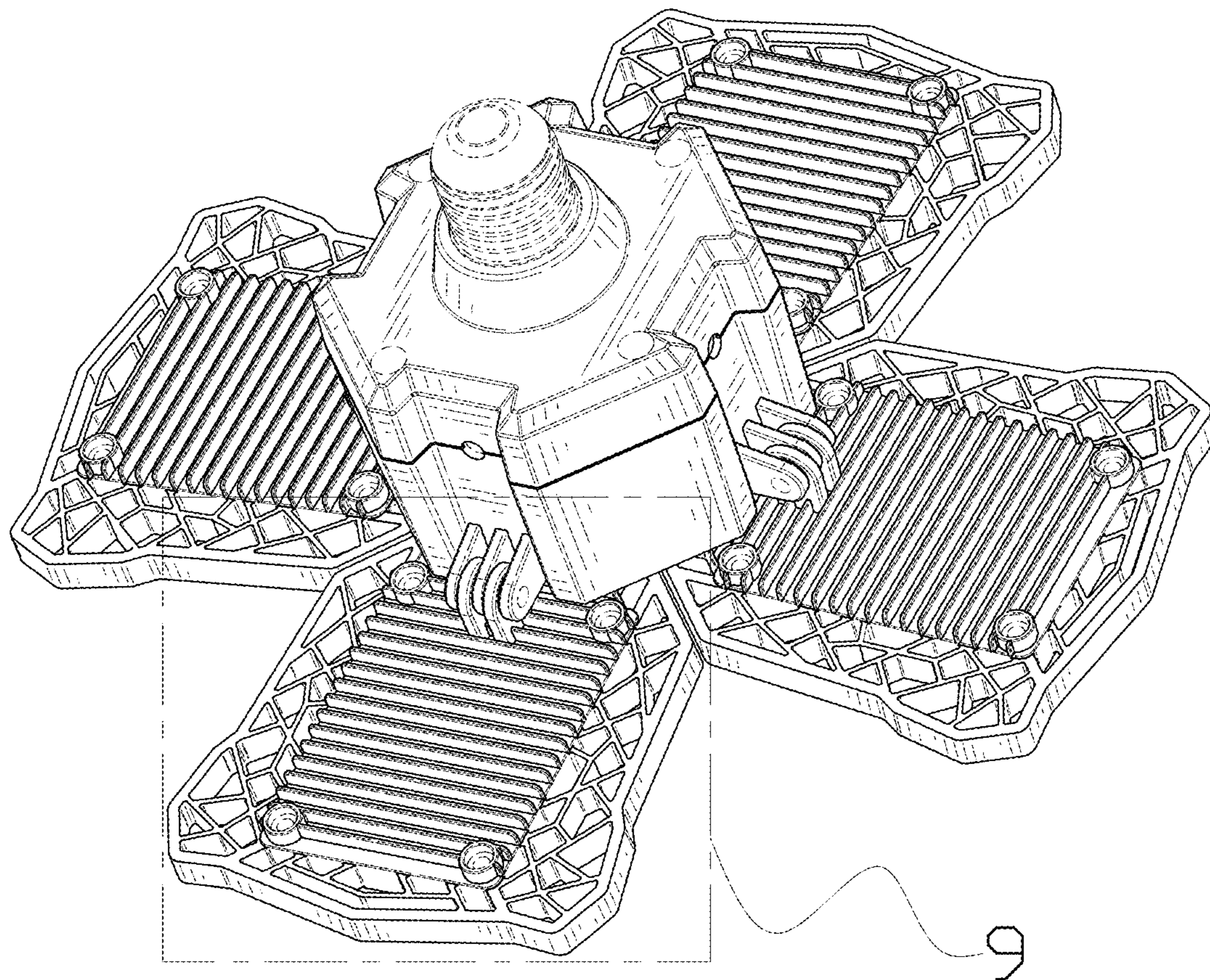


FIG. 1

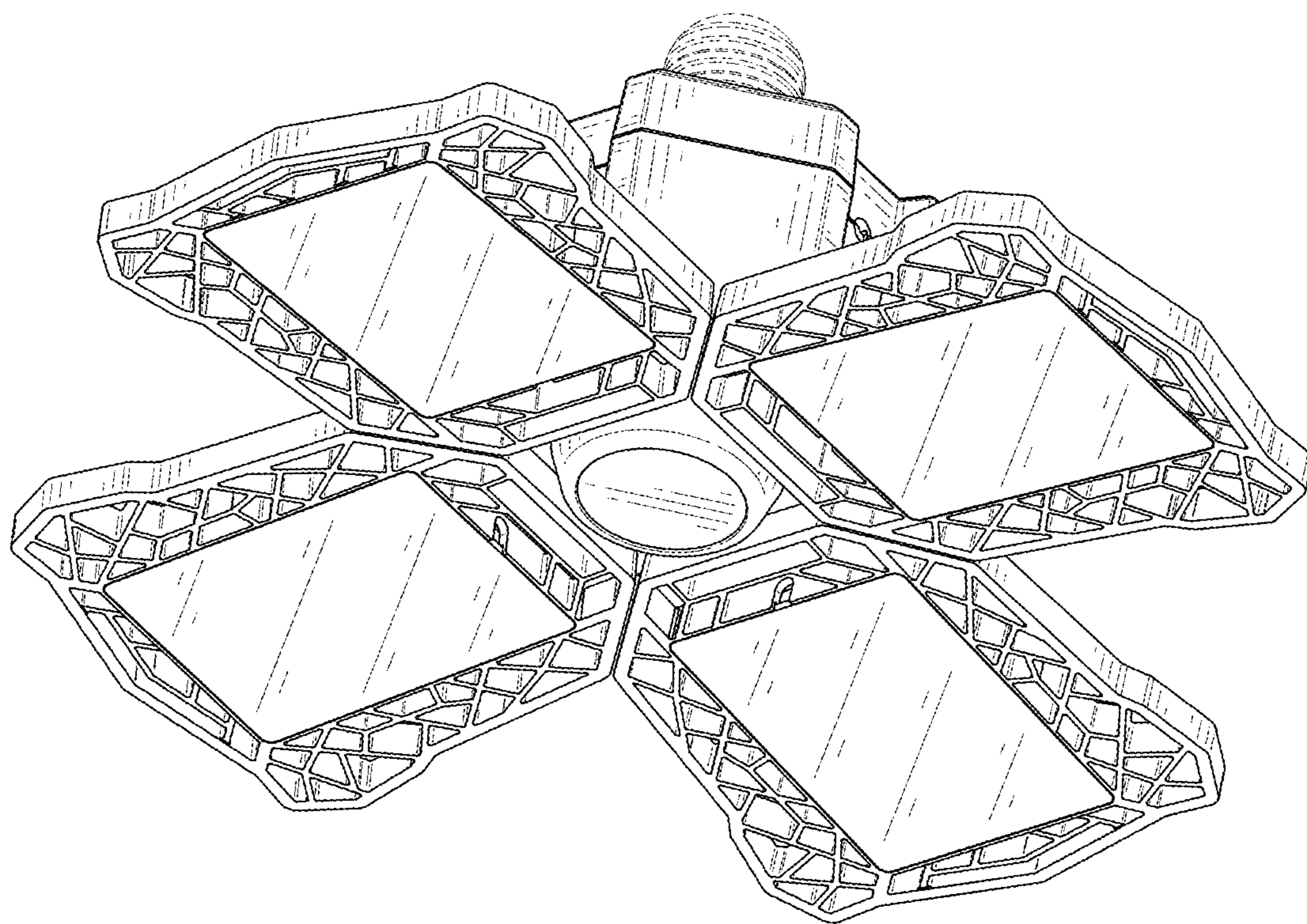


FIG. 2

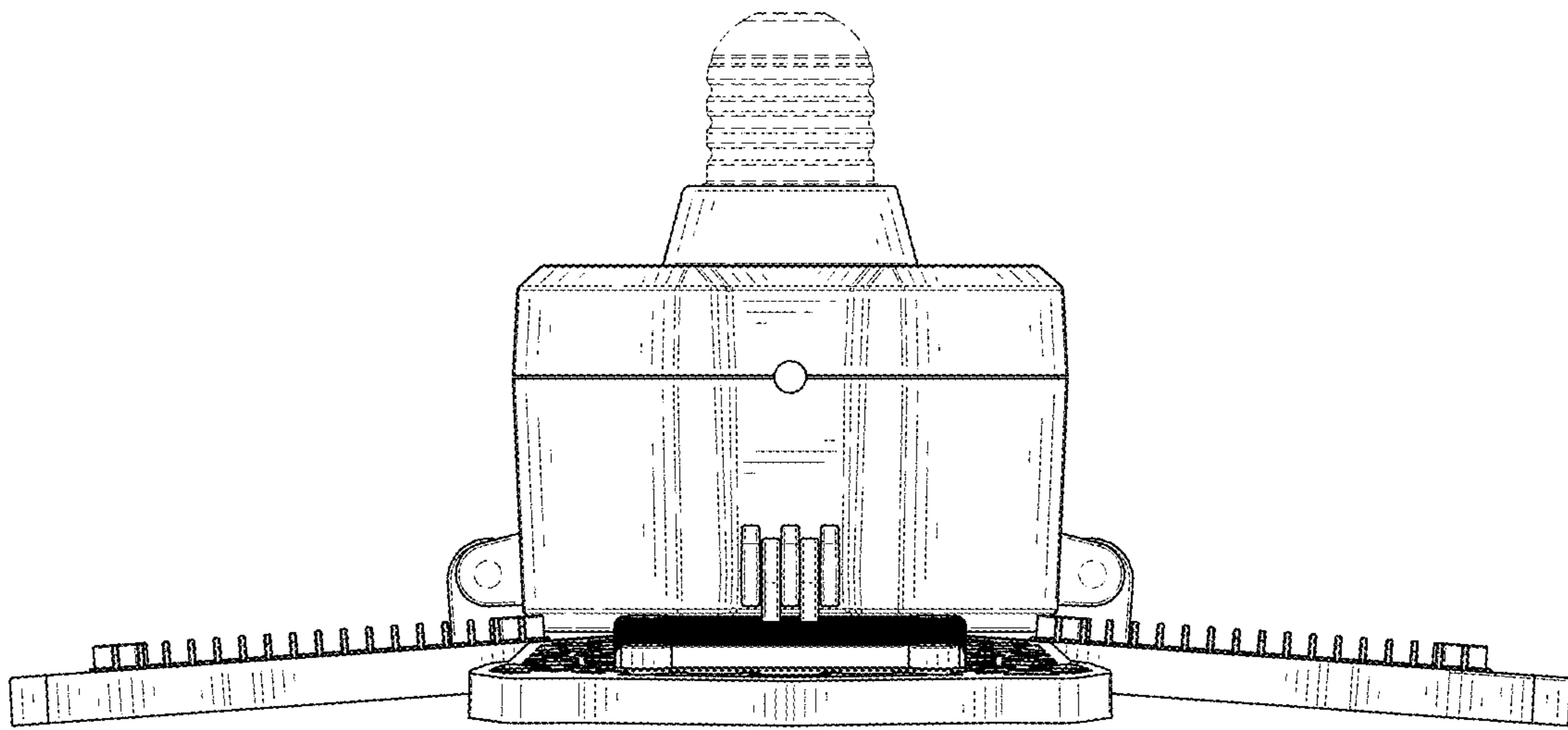


FIG. 3

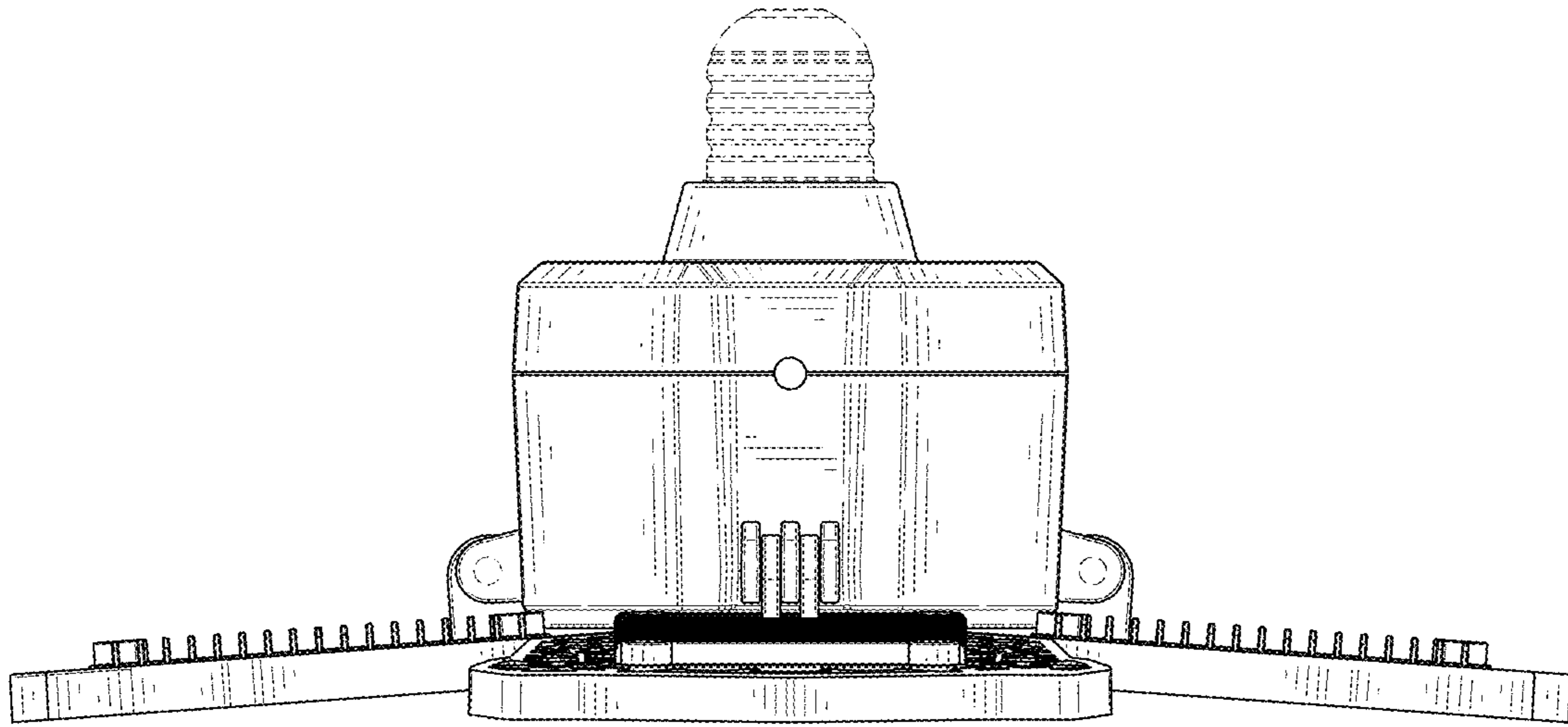


FIG. 4

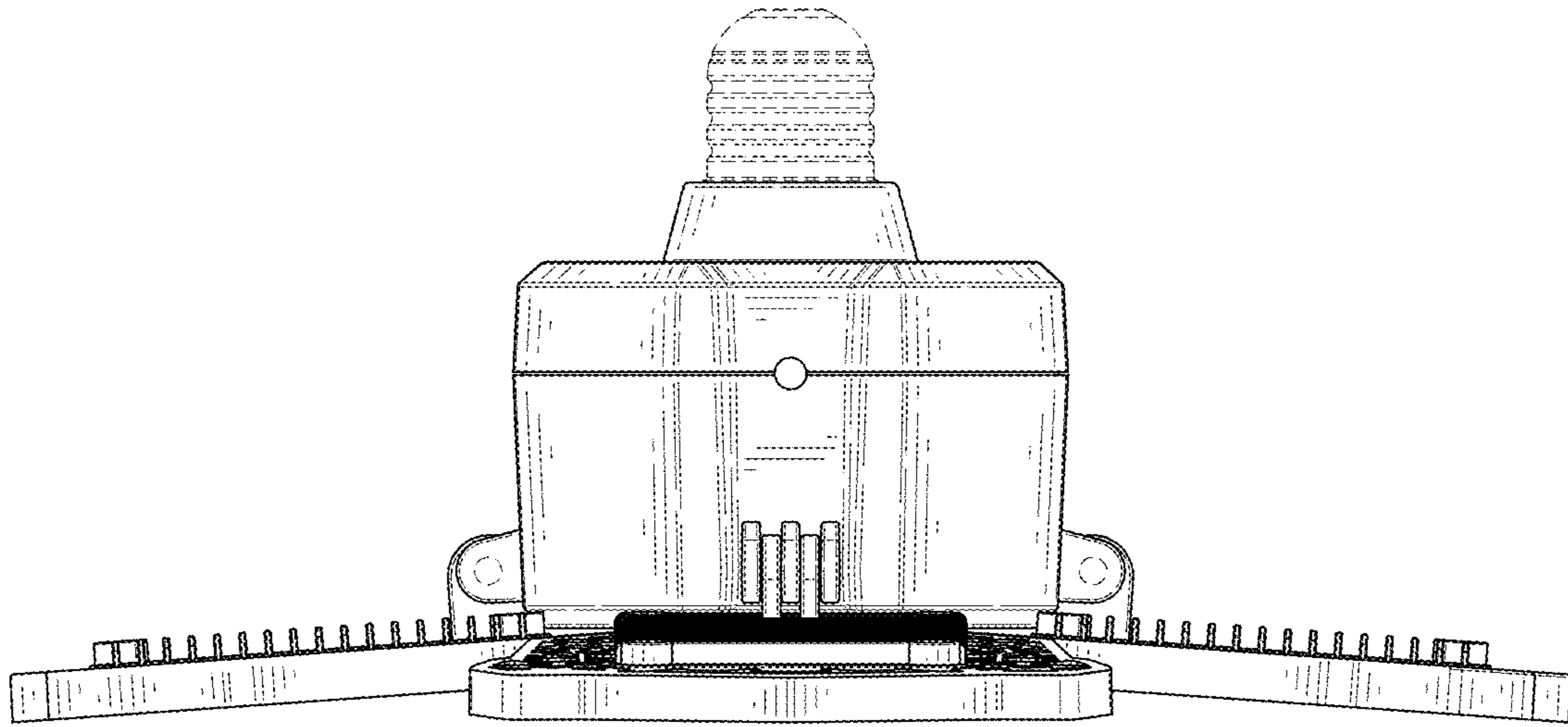


FIG. 5

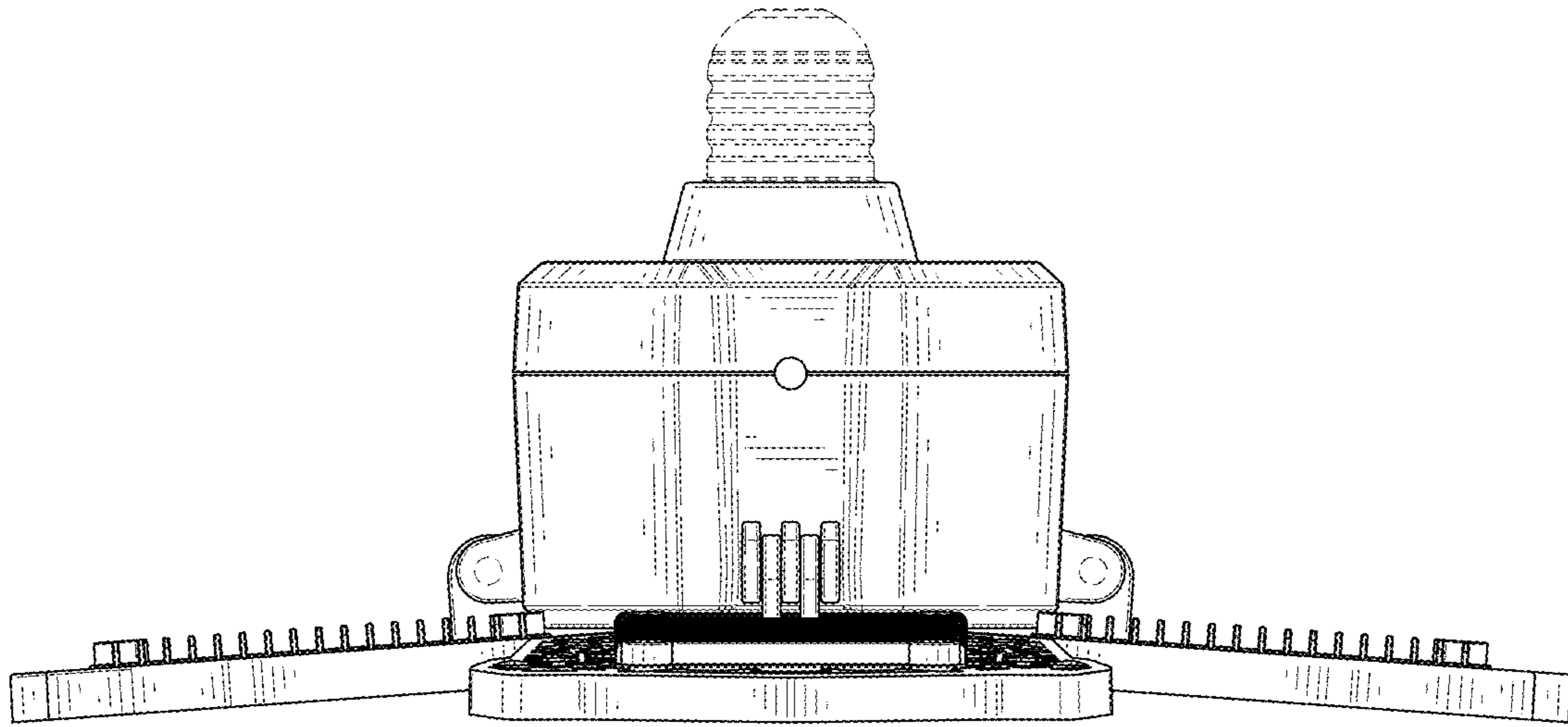


FIG. 6

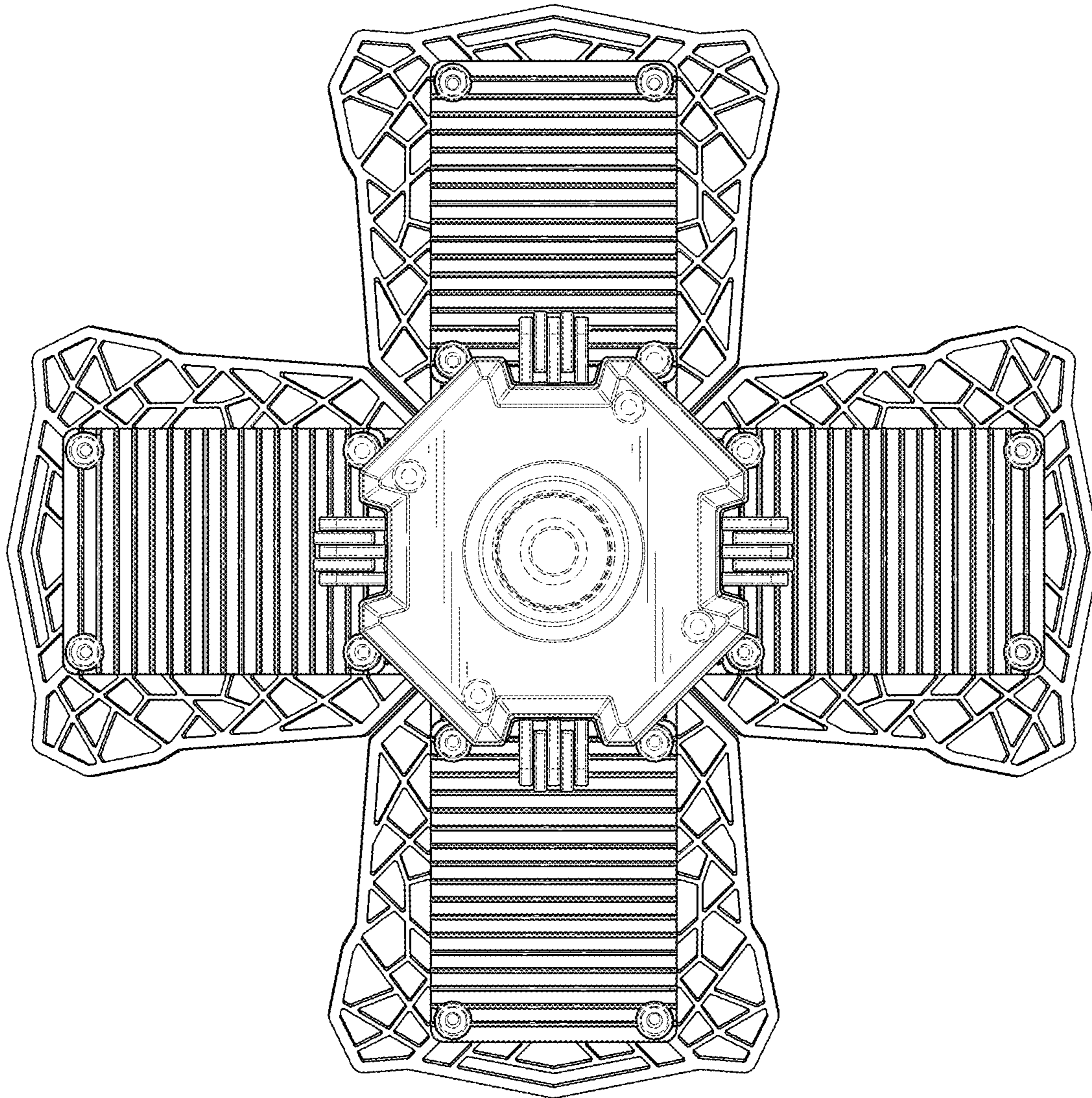


FIG. 7



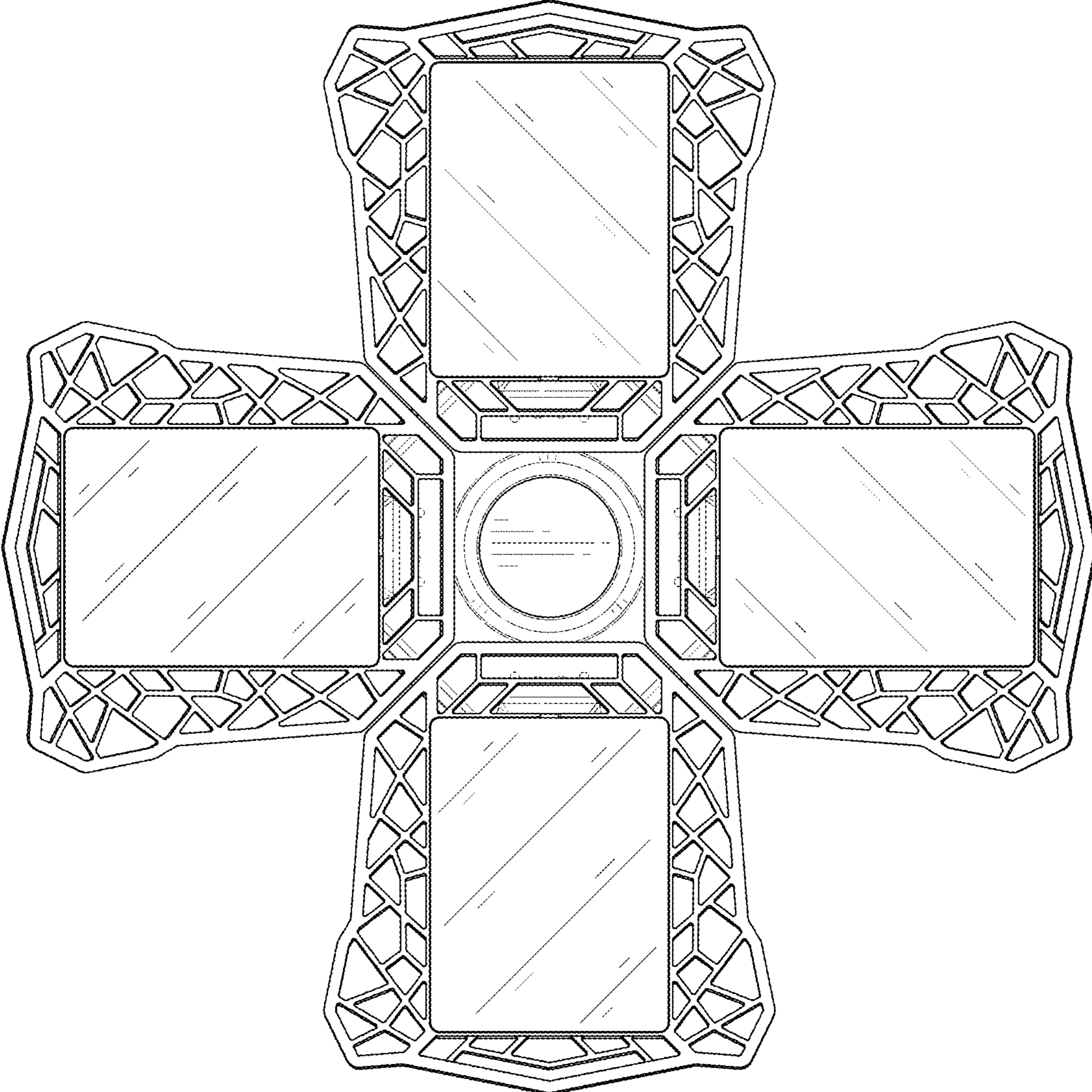


FIG. 8

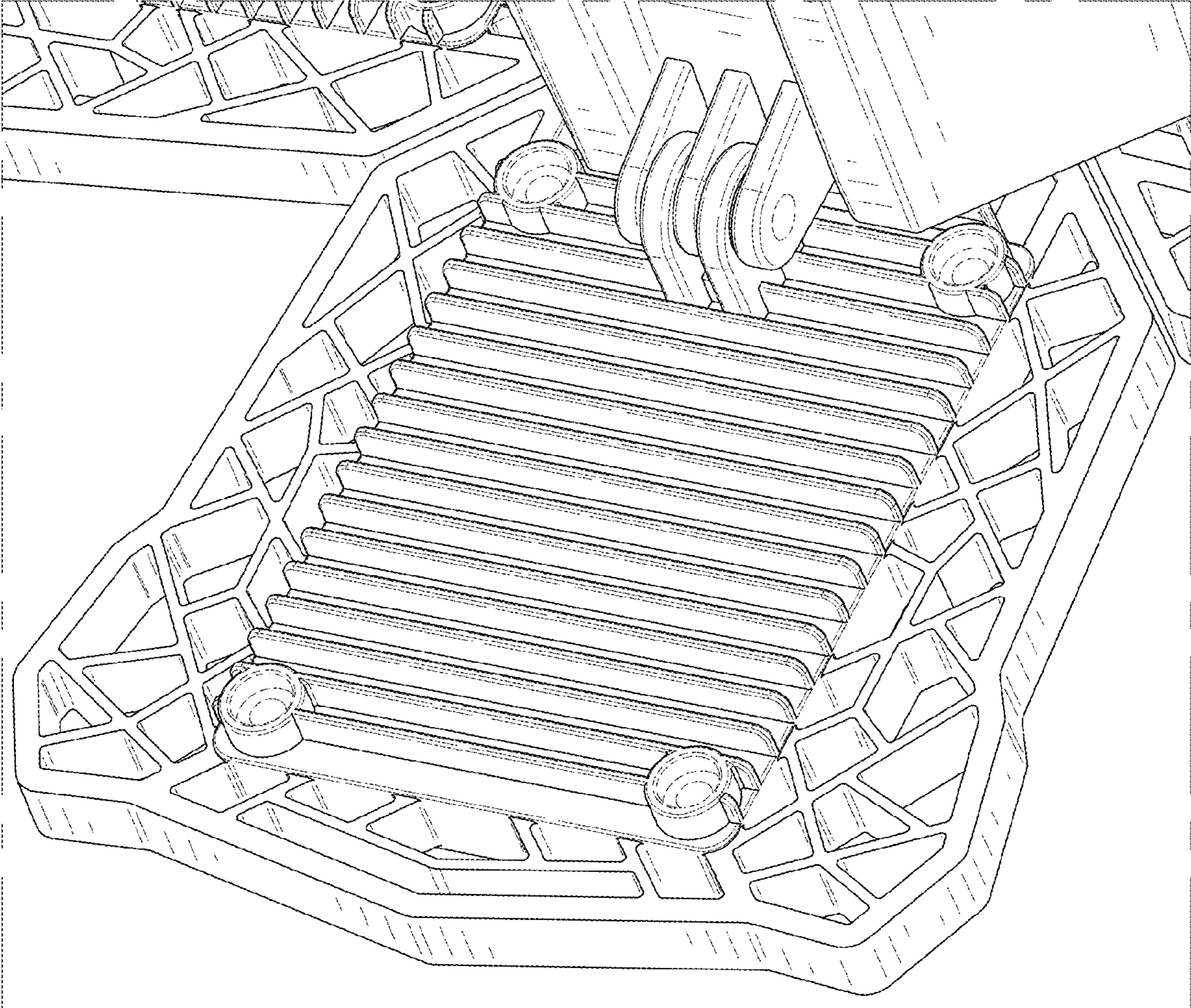


FIG. 9