



US00D885625S

(12) **United States Design Patent**
Green et al.

(10) **Patent No.:** **US D885,625 S**

(45) **Date of Patent:** **** *May 26, 2020**

(54) **FLASHLIGHT**

(71) Applicant: **HOME DEPOT PRODUCT AUTHORITY, LLC**, Atlanta, GA (US)

(72) Inventors: **Adam R. Green**, Marietta, GA (US);
Darryl W. Ticken, Woodstock, GA (US)

(73) Assignee: **Home Depot Product Authority, LLC**, Atlanta, GA (US)

(*) Notice: This patent is subject to a terminal disclaimer.

(**) Term: **15 Years**

(21) Appl. No.: **29/544,142**

(22) Filed: **Oct. 30, 2015**

(51) **LOC (12) Cl.** **26-02**

(52) **U.S. Cl.**
USPC **D26/49**

(58) **Field of Classification Search**
USPC D26/37, 38, 44, 42, 43, 46, 48, 49, 51
CPC F21L 2003/00; F21L 4/00; F21L 4/005;
F21L 4/02; F21L 4/025; F21L 4/027;
F21L 4/04; F21L 4/08; F21L 2005/00;
F21L 7/00;

(Continued)

(56) **References Cited**

U.S. PATENT DOCUMENTS

D197,082 S 12/1963 Oakley
D452,025 S * 12/2001 Poon D26/49
(Continued)

OTHER PUBLICATIONS

Office Action received in counterpart Canadian Application No. 168,275 dated Aug. 23, 2016 (2 pages).

(Continued)

Primary Examiner — Shannon W Morgan

Assistant Examiner — Carissa C Fitts

(74) *Attorney, Agent, or Firm* — Greenberg Traurig, LLP

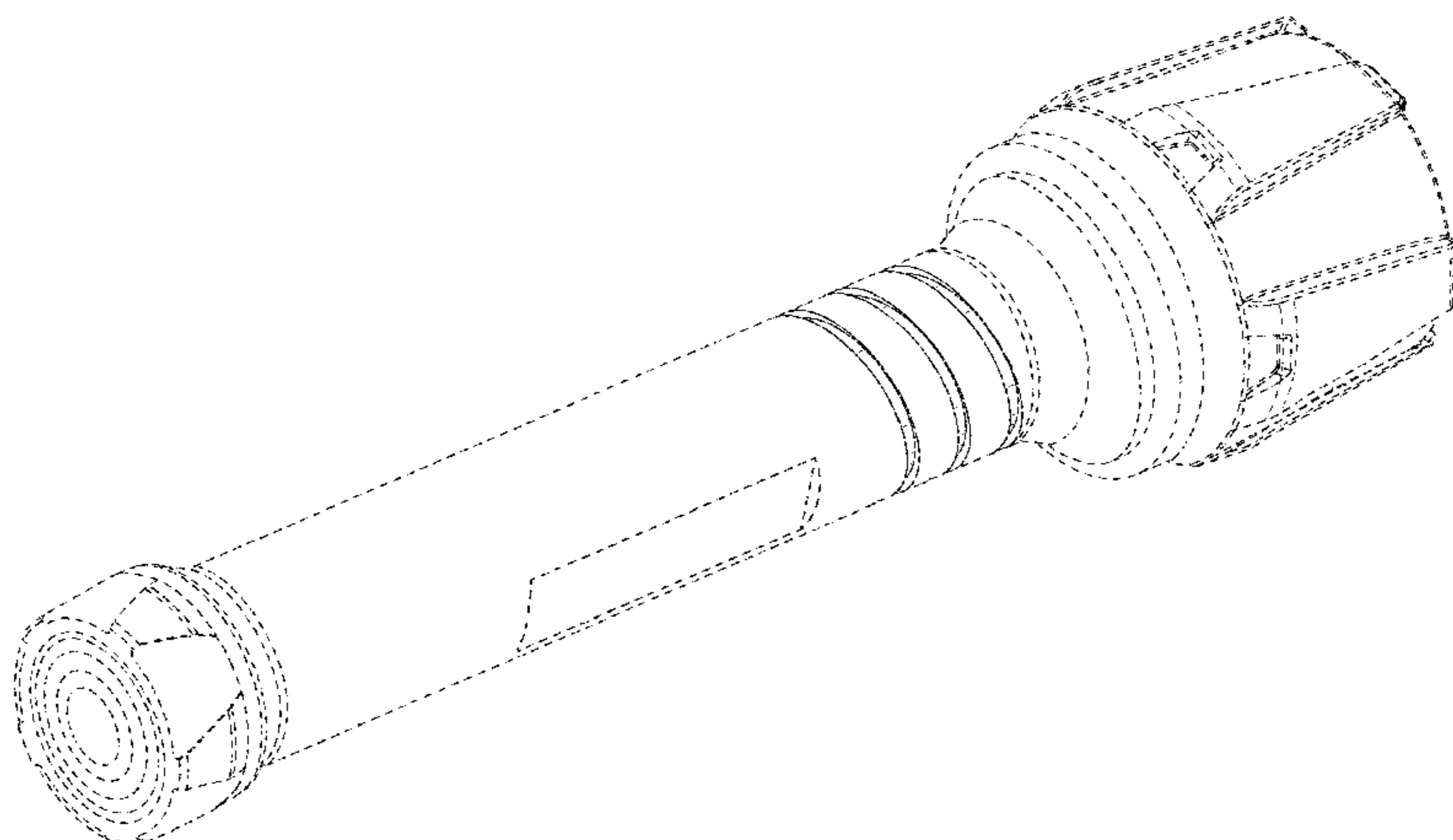
(57) **CLAIM**

The ornamental design for a flashlight, as shown and described.

DESCRIPTION

FIG. 1 is a perspective view of a first embodiment of our design;
FIG. 2 is a front view thereof;
FIG. 3 is a back view thereof;
FIG. 4 is a left side view thereof;
FIG. 5 is a right side view thereof;
FIG. 6 is a perspective view of a second embodiment of our design;
FIG. 7 is a front view thereof;
FIG. 8 is a back view thereof;
FIG. 9 is a left side view thereof;
FIG. 10 is a right side view thereof;
FIG. 11 is a perspective view of a third embodiment of our design;
FIG. 12 is a front view thereof;
FIG. 13 is a back view thereof;
FIG. 14 is a left side view thereof;
FIG. 15 is a right side view thereof;
FIG. 16 is a perspective view of a fourth embodiment of our design;
FIG. 17 is a front view thereof;
FIG. 18 is a back view thereof;
FIG. 19 is a left side view thereof;
FIG. 20 is a right side view thereof;
FIG. 21 is a perspective view of a fifth embodiment of our design;
FIG. 22 is a front view thereof;
FIG. 23 is a back view thereof;
FIG. 24 is a left side view thereof; and,
FIG. 25 is a right side view thereof.
The dashed lines in the figures form no part of the claimed design.

1 Claim, 15 Drawing Sheets



(58) **Field of Classification Search**
 CPC F21L 11/00; F21L 13/00; F21L 13/04;
 F21L 13/08; F21L 14/02; F21L 17/00;
 F21L 19/00
 See application file for complete search history.

(56) **References Cited**

U.S. PATENT DOCUMENTS

D481,147 S	10/2003	Yang	
D481,482 S	* 10/2003	Mah	D26/37
D486,937 S	2/2004	Shiu	
D488,877 S	4/2004	Shin	
D495,442 S	8/2004	Packard	
D512,525 S	12/2005	Yang	
D527,476 S	8/2006	Craft	
D565,769 S	4/2008	Shiu	
D566,314 S	* 4/2008	Jen	D26/49
D574,982 S	8/2008	Lau	
D574,984 S	8/2008	Hesse	
D579,135 S	10/2008	Shiu	
D579,594 S	10/2008	Hesse	
D589,635 S	3/2009	Rugendyke et al.	
D604,437 S	11/2009	Yang	
D608,033 S	1/2010	Hesse	
D608,034 S	1/2010	Hesse	
D617,022 S	6/2010	Kung	
D629,544 S	12/2010	Deguglimo	
D629,938 S	* 12/2010	Yuen	D26/45
D640,400 S	6/2011	Huang	

D645,592 S	9/2011	Brands	
D656,261 S	3/2012	Lee	
D659,270 S	5/2012	Nguyen	
D659,272 S	5/2012	Nguyen	
D671,249 S	11/2012	Sheikh	
D689,225 S	* 9/2013	Yeh	D26/46
D689,226 S	* 9/2013	Yeh	D26/46
D709,231 S	7/2014	Nguyen	
D710,526 S	8/2014	Lee	
D734,519 S	7/2015	Shen	
D745,987 S	* 12/2015	Nawaz	D22/117
D748,837 S	2/2016	Cacciabeve	
D750,306 S	2/2016	Windom et al.	
D769,495 S	10/2016	Bertken	
D769,496 S	10/2016	Inskeep	

OTHER PUBLICATIONS

U.S. Appl. No. 29/500,242, filed Aug. 2014, Green.
 U.S. Appl. No. 29/500,257, filed Aug. 2014, Green.
 U.S. Appl. No. 29/544,154, filed Oct. 2015, Green et al.
 U.S. Appl. No. 29/544,146, filed Oct. 2015, Green et al.
 U.S. Appl. No. 29/544,147, filed Oct. 2015, Green et al.
 Office Action received in Chinese Counterpart Application
 201630153654.8 dated Aug. 12, 2016 (3 pages).
 United States Patent and Trademark Office, Office Action issued on
 U.S. Appl. No. 29/544,146, Notification Date dated Apr. 5, 2017, 9
 pgs.

* cited by examiner

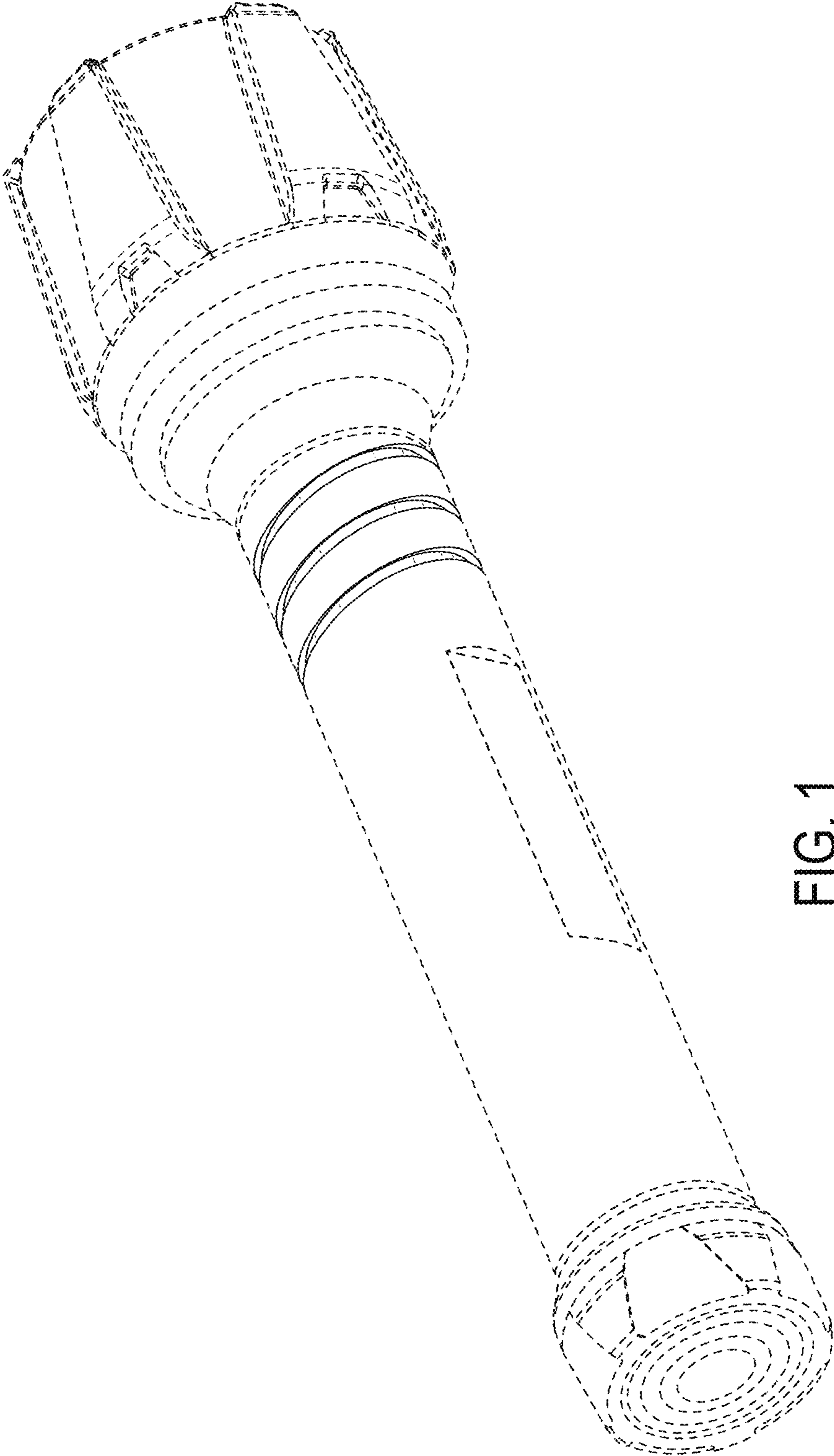


FIG. 1

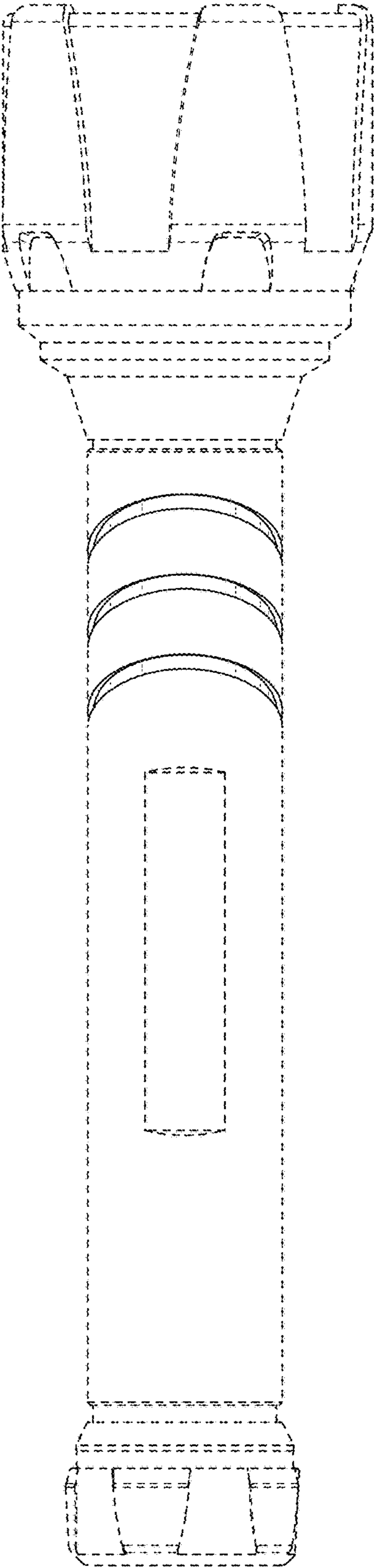


FIG. 2

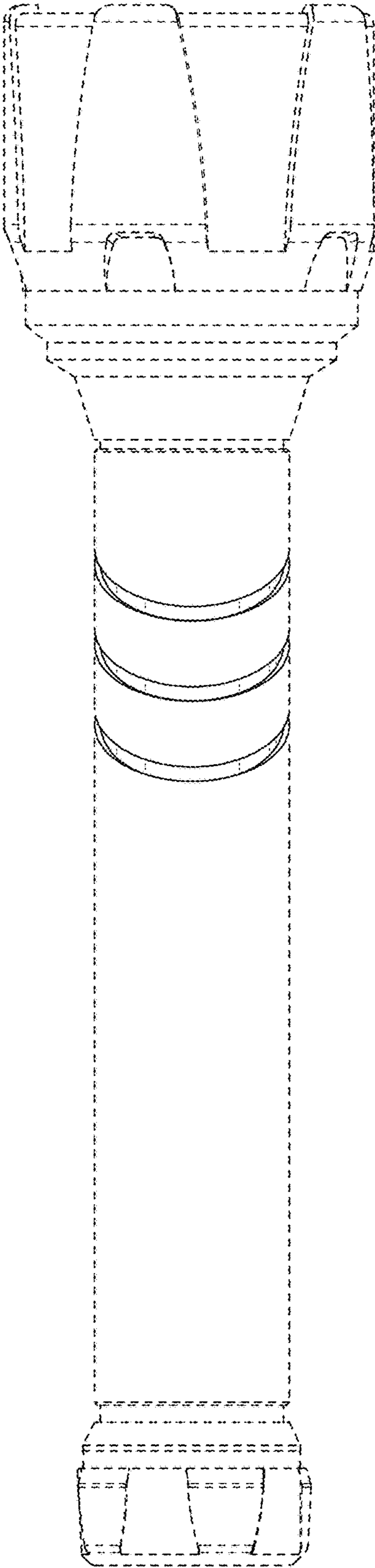


FIG. 3

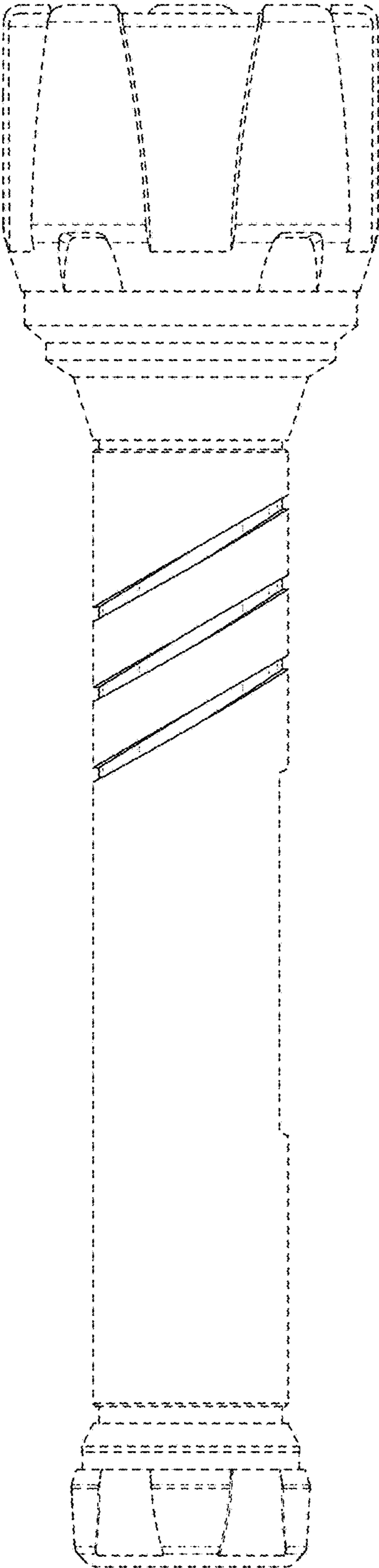


FIG. 4

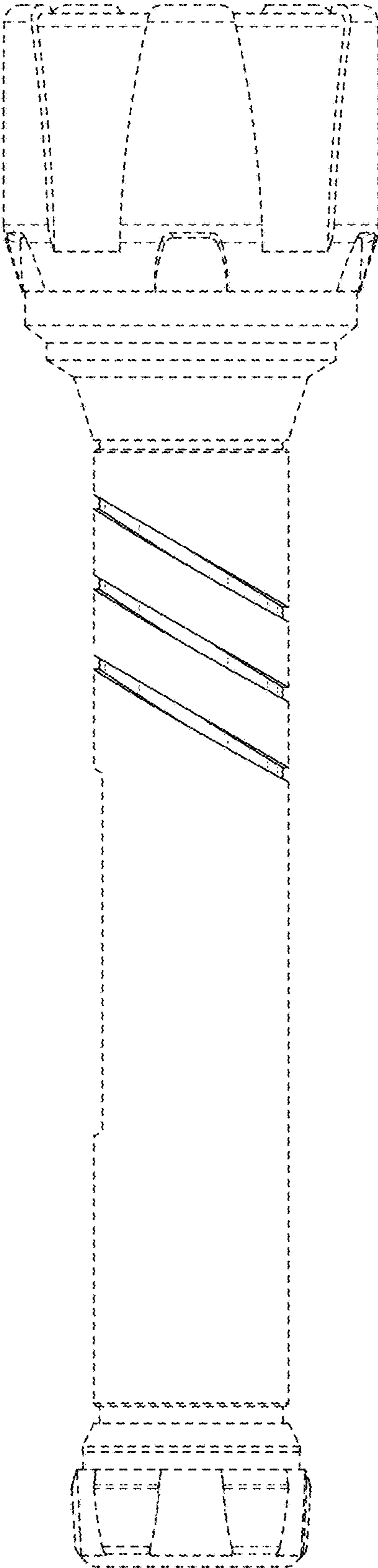


FIG. 5

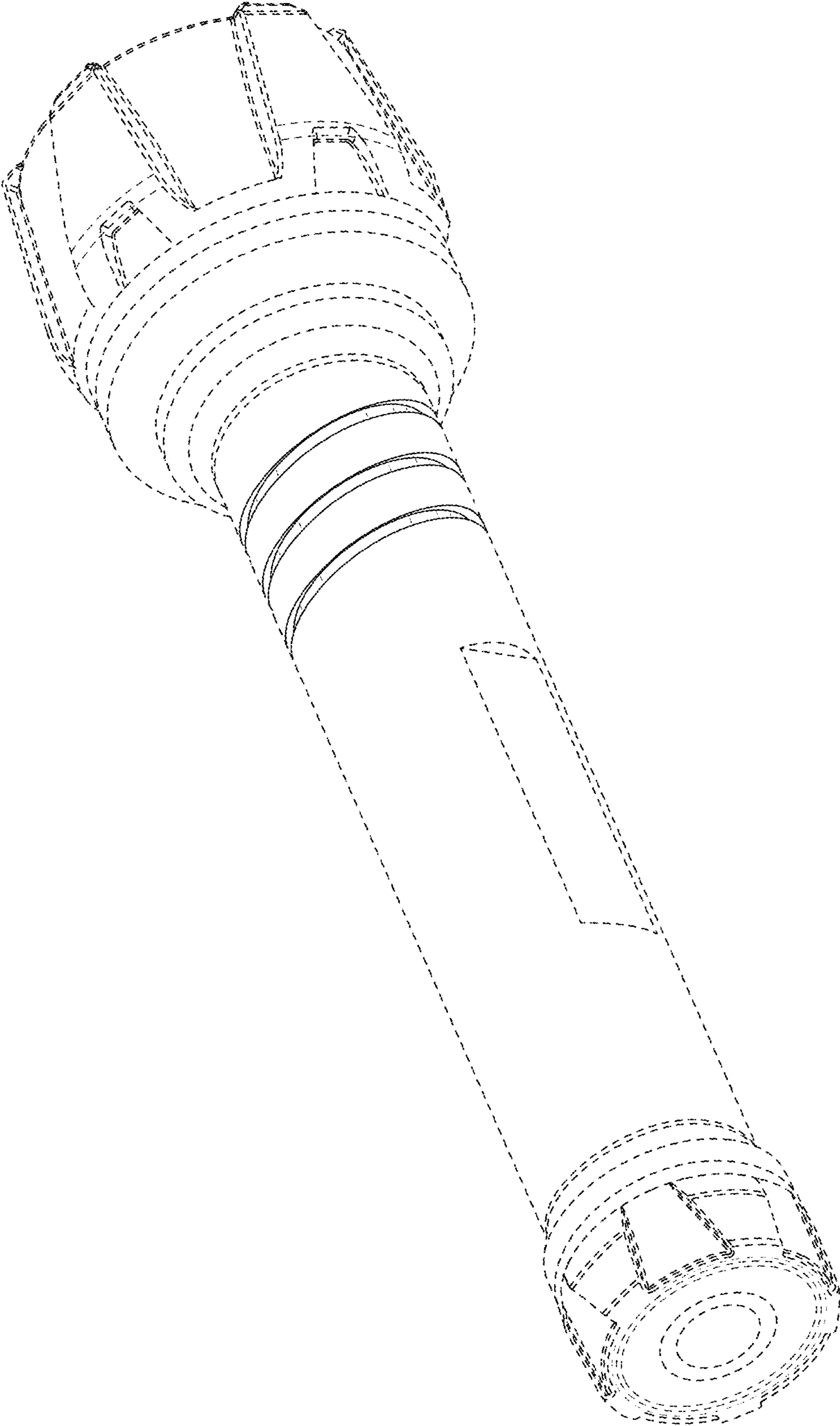


FIG. 6

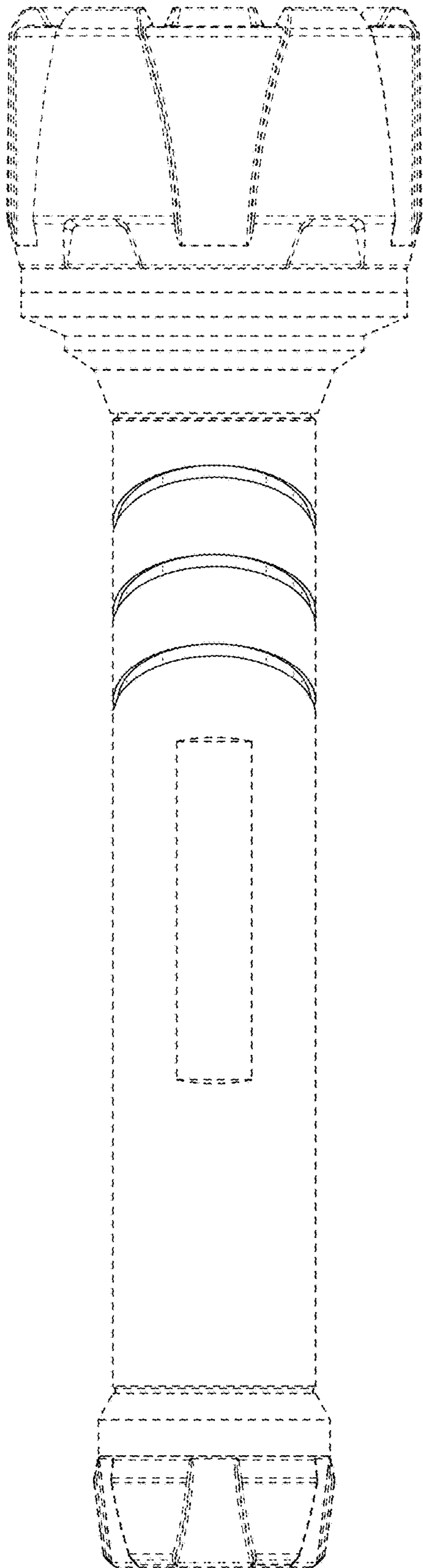


FIG. 7

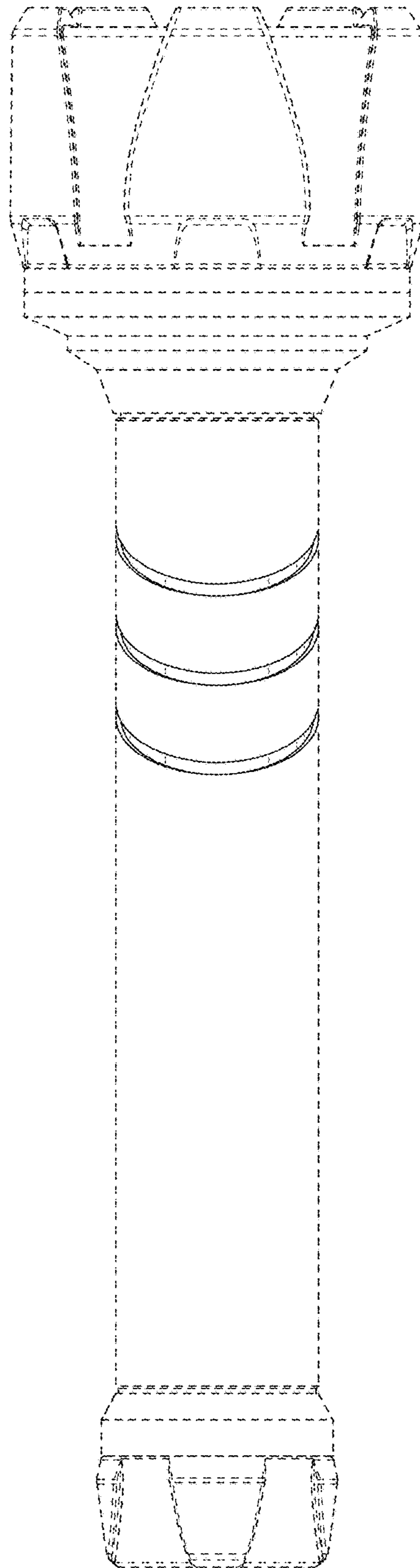


FIG. 8

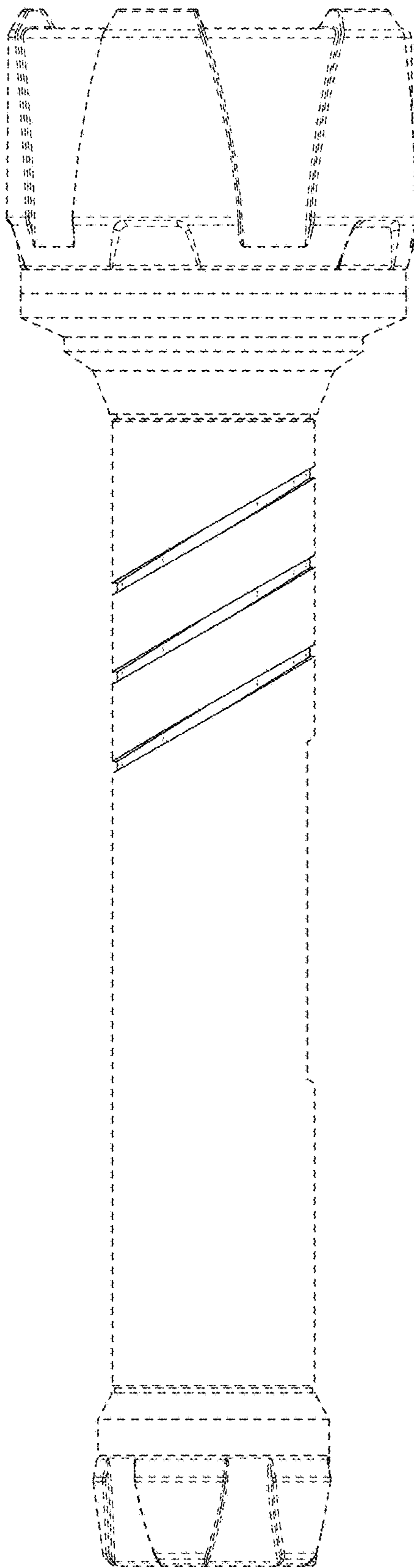


FIG. 9

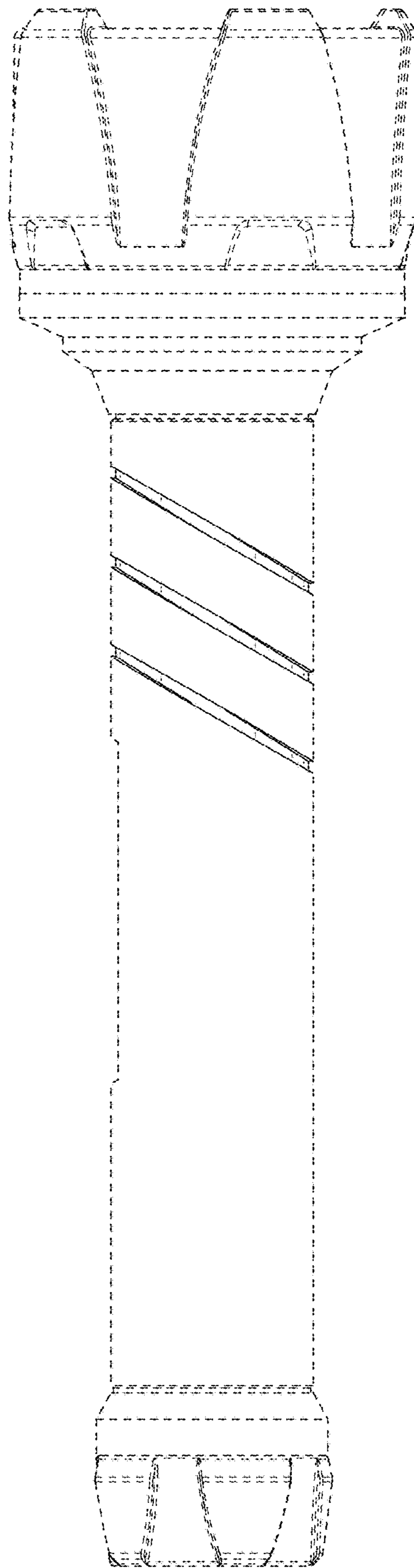


FIG. 10

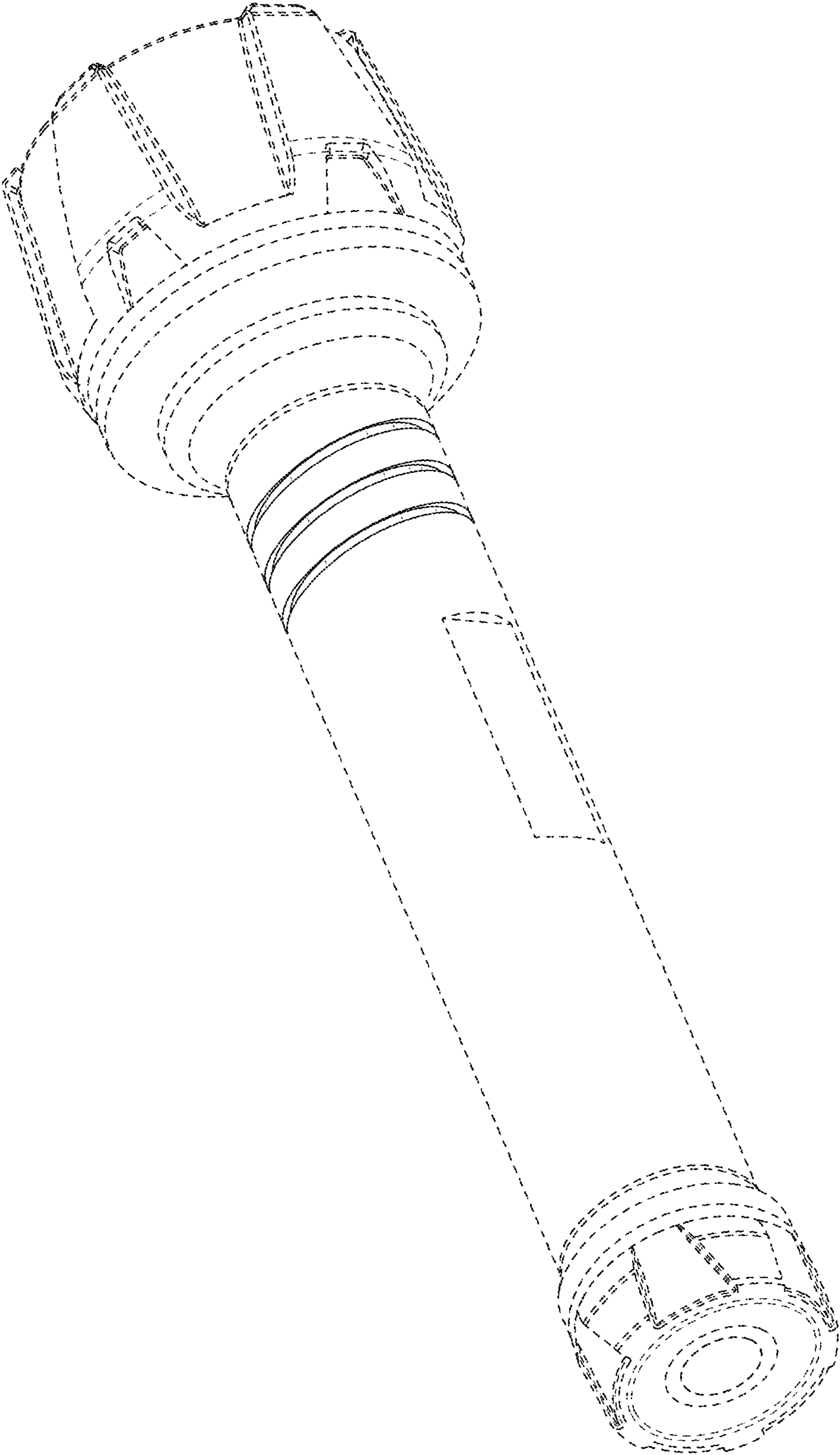


FIG. 11

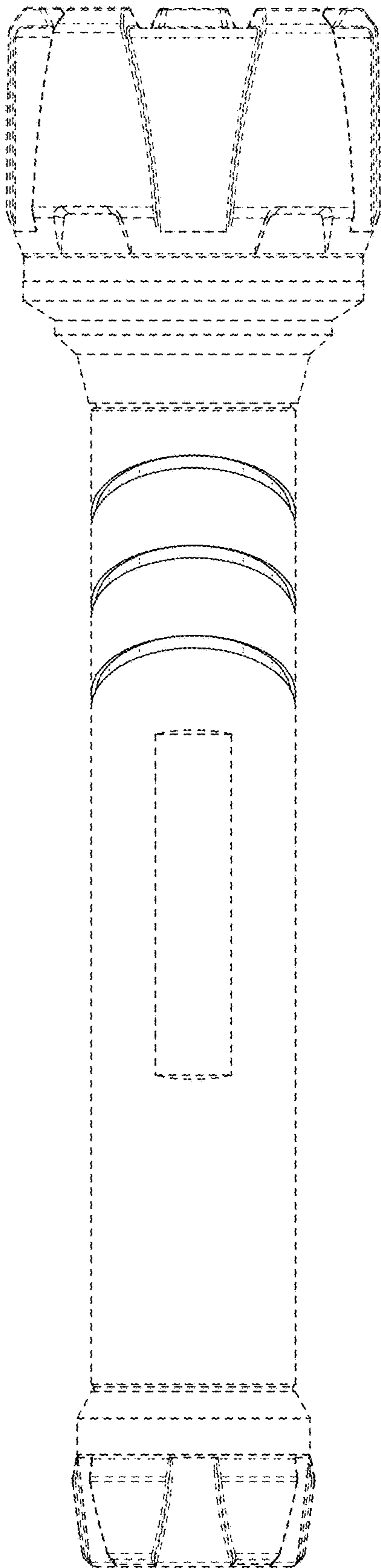


FIG. 12

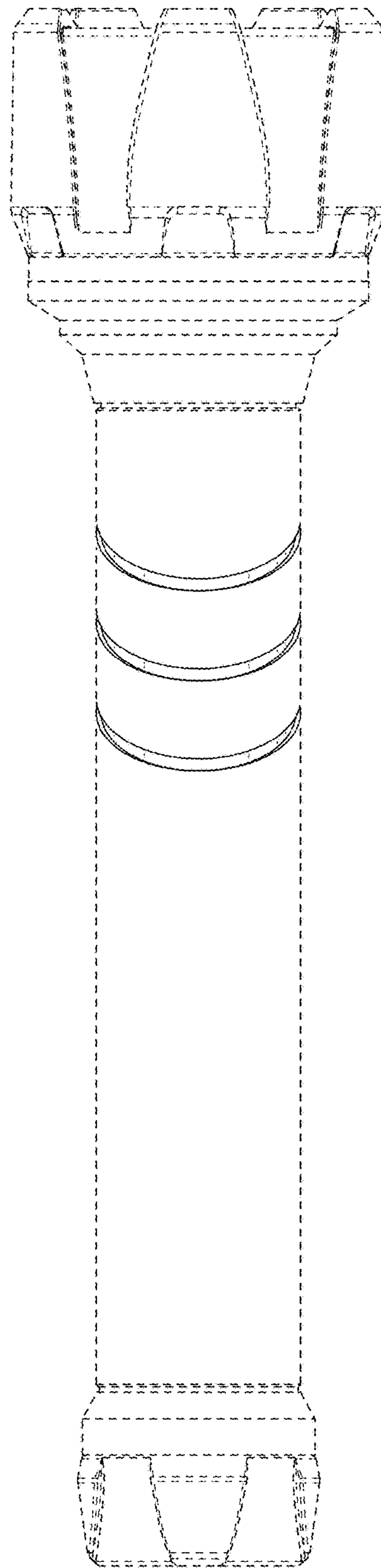


FIG. 13

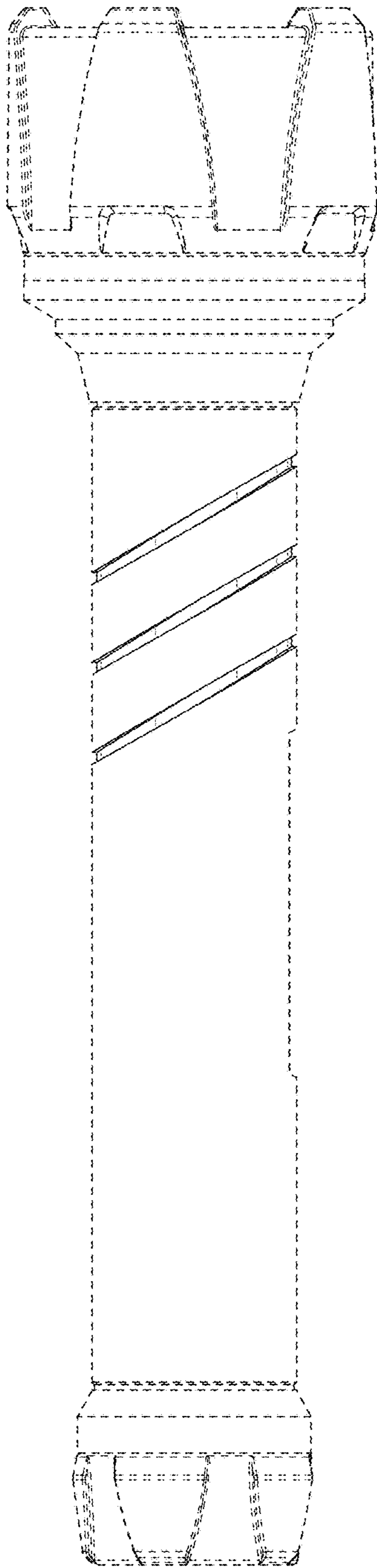


FIG. 14

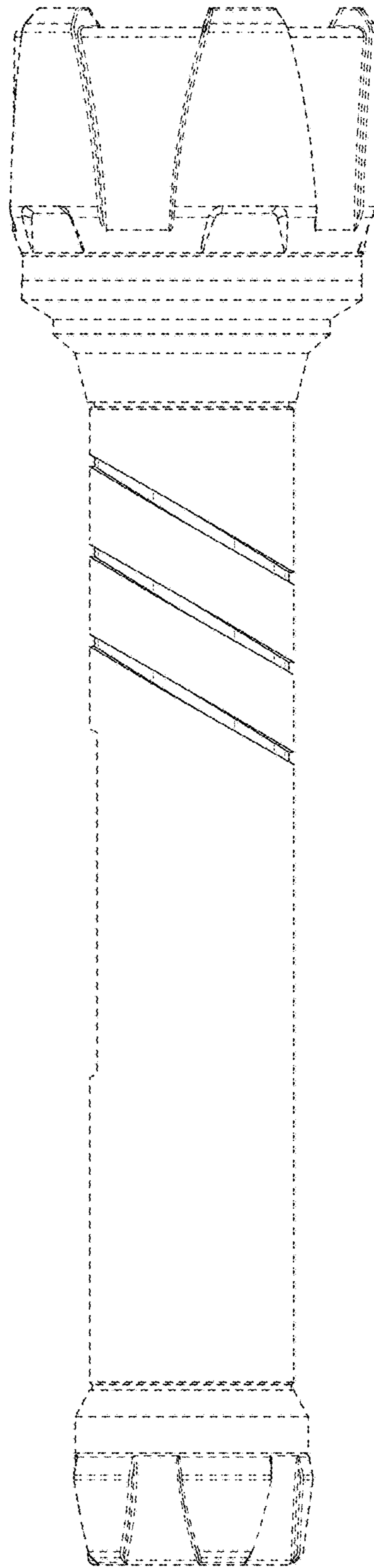


FIG. 15

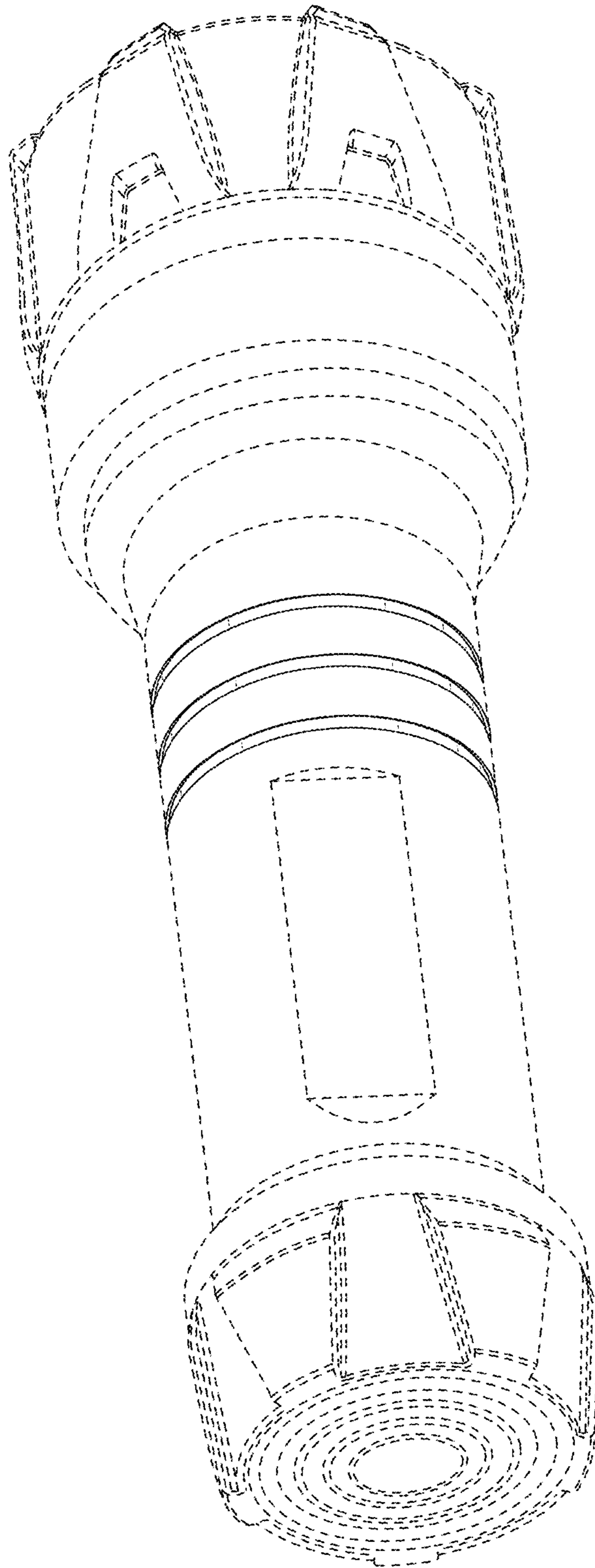


FIG. 16

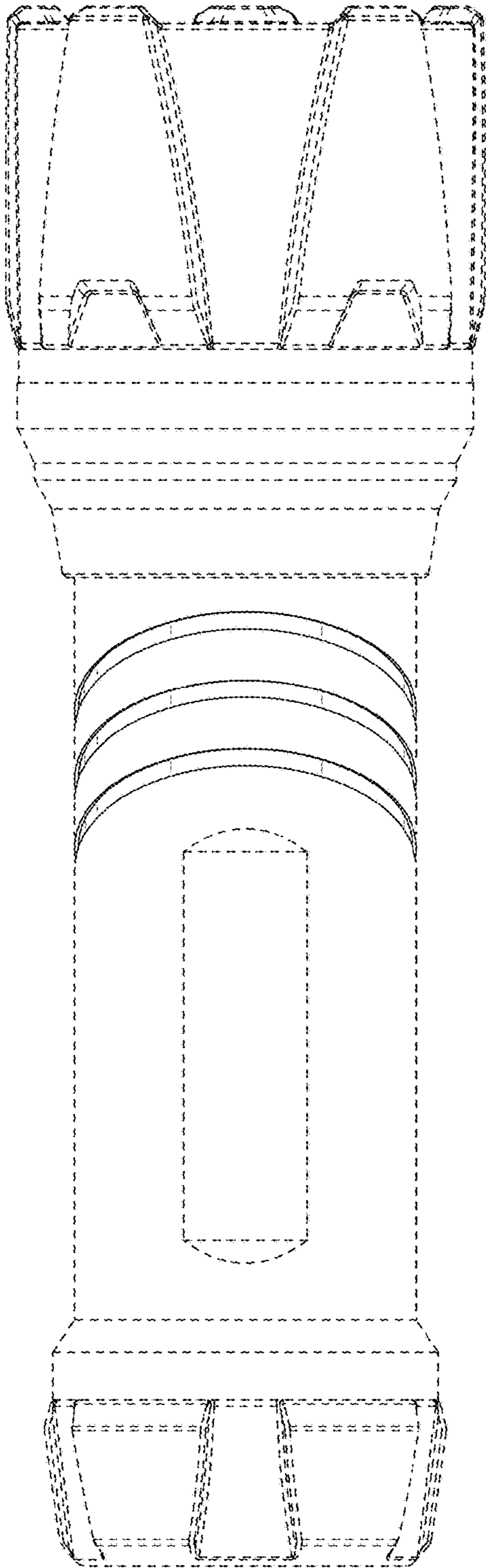


FIG. 17

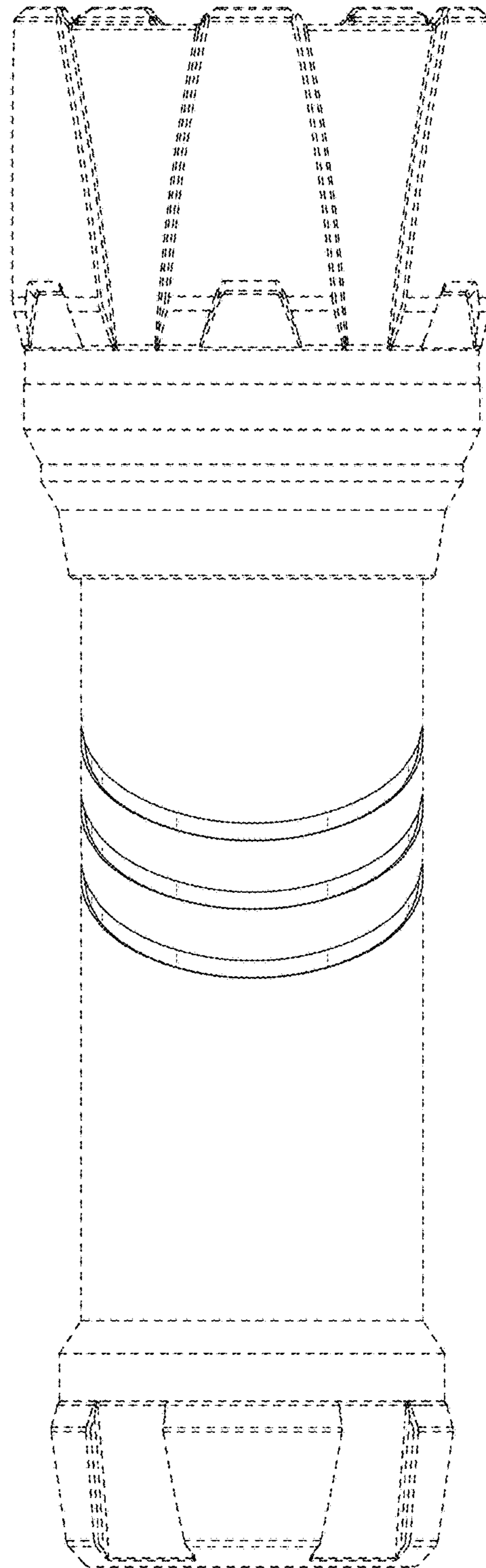


FIG. 18

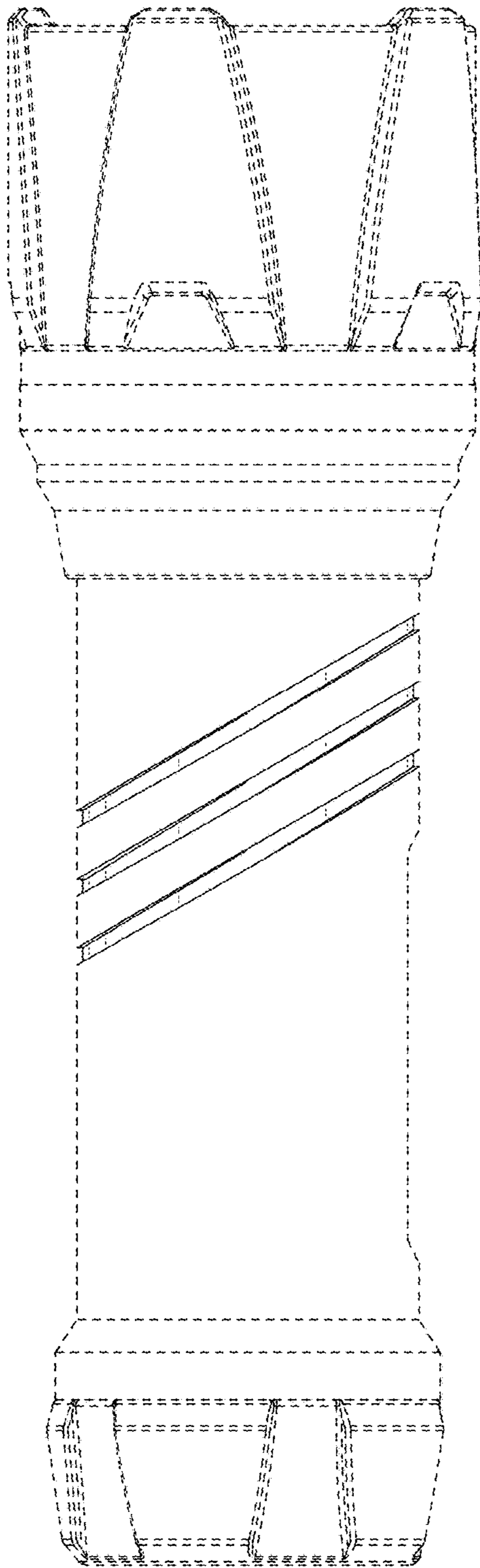


FIG. 19

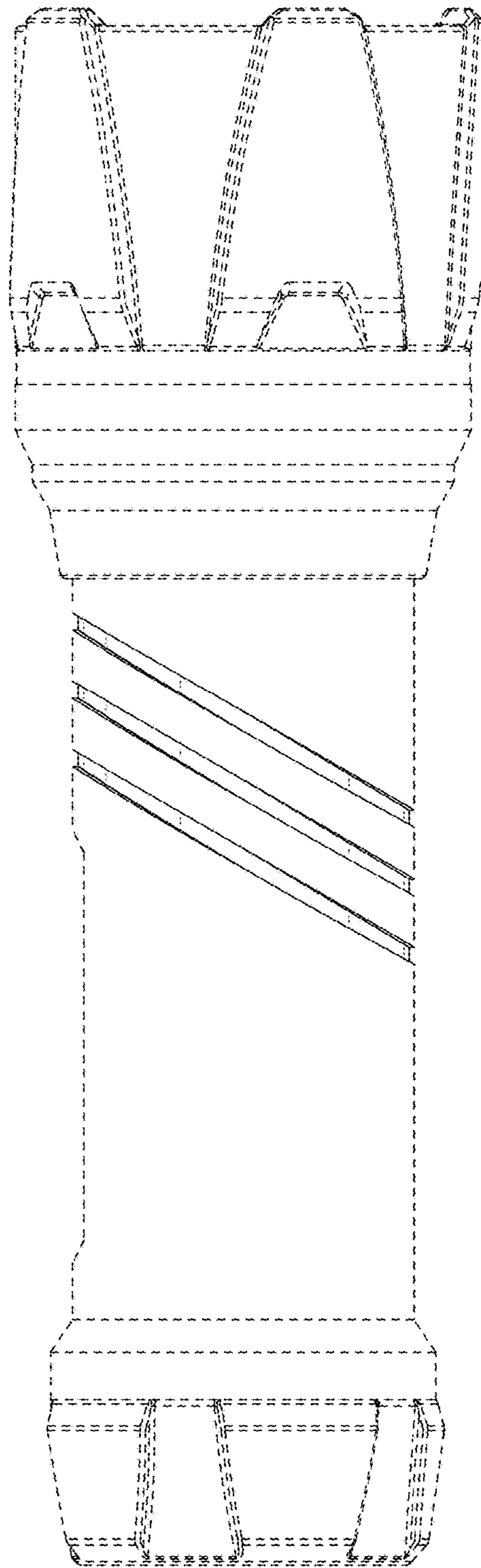


FIG. 20

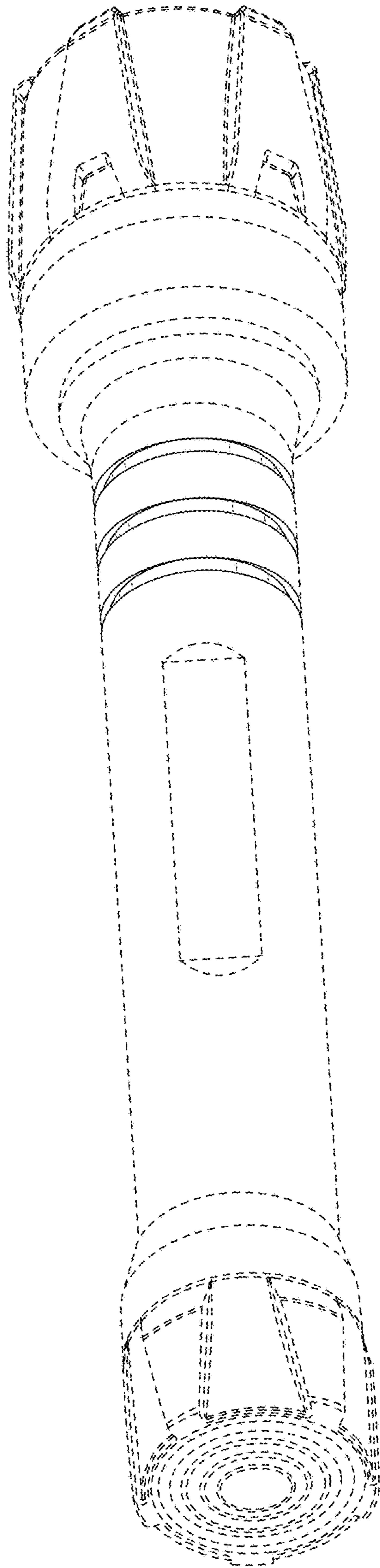


FIG. 21

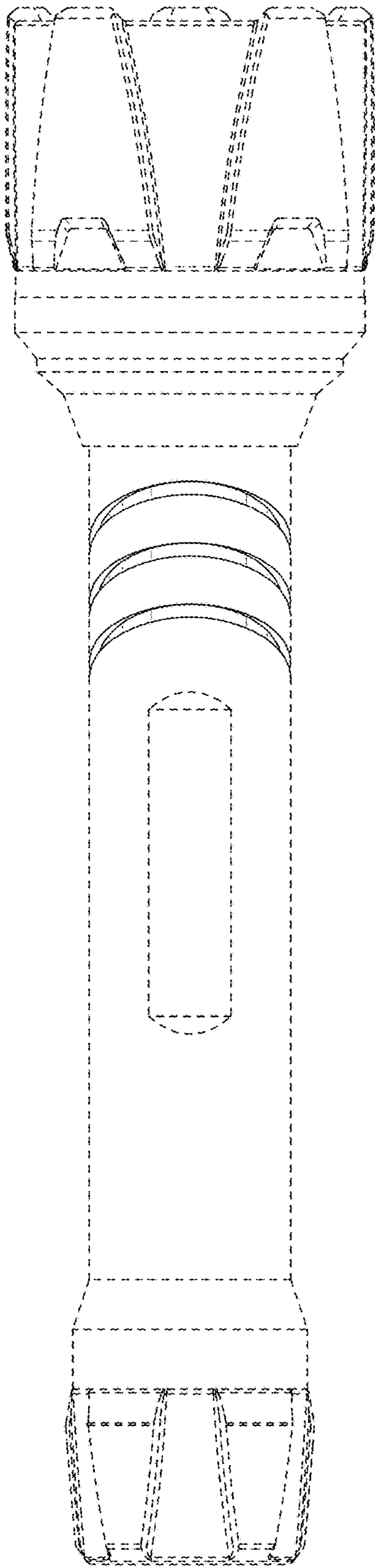


FIG. 22

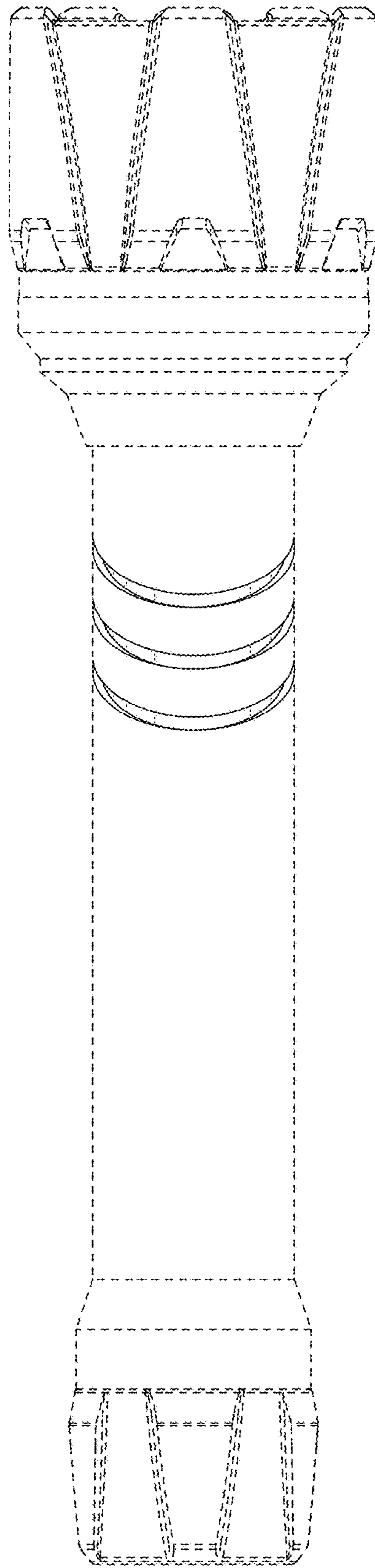


FIG. 23

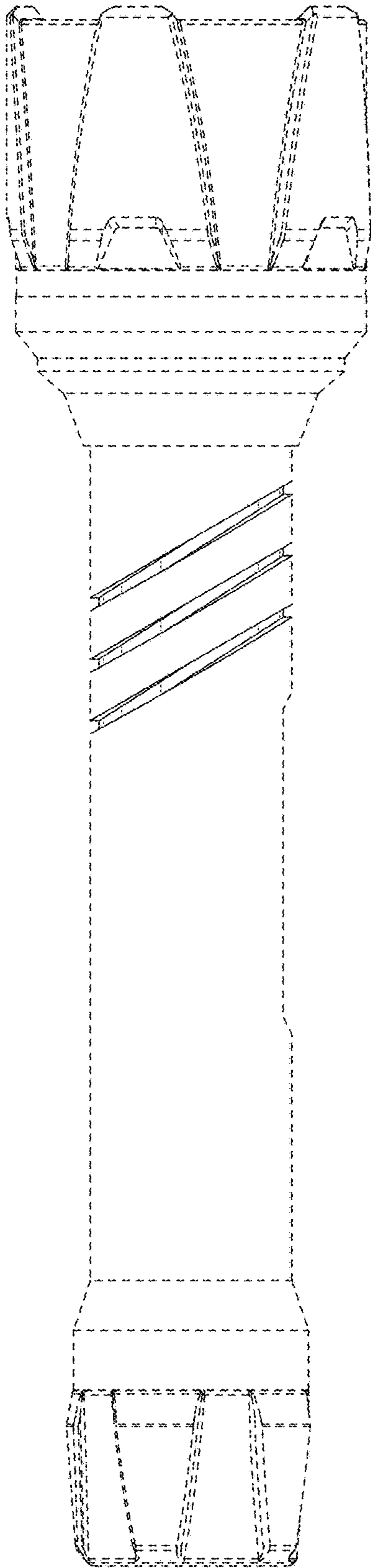


FIG. 24

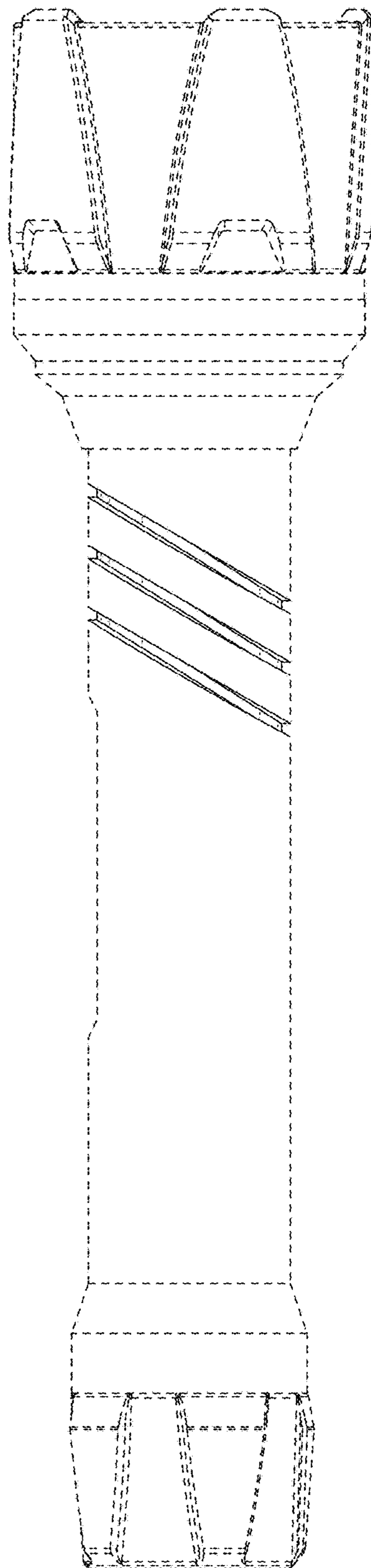


FIG. 25