



US00D885624S

(12) **United States Design Patent**  
**Dir**

(10) **Patent No.:** **US D885,624 S**

(45) **Date of Patent:** **\*\* May 26, 2020**

(54) **SAFETY LIGHT**

(71) Applicant: **Archangel Device LLC**, Milwaukee, WI (US)

(72) Inventor: **Ronald R. Dir**, Sturtevant, WI (US)

(73) Assignee: **ARCHANGEL DEVICE LLC**, Milwaukee, WI (US)

(\*\*) Term: **15 Years**

(21) Appl. No.: **29/659,666**

(22) Filed: **Aug. 10, 2018**

(51) **LOC (12) Cl.** ..... **26-02**

(52) **U.S. Cl.**  
USPC ..... **D26/39**

(58) **Field of Classification Search**

USPC ..... D26/1, 24, 25, 43, 60, 110, 113, 28, 37, D26/61, 85, 102, 138-140, 39, 38, 51; 362/249.14, 311.02, 311.13, 157, 158, 362/184, 194-196, 200, 253, 103-108  
CPC ..... F21S 4/00; F21S 4/10; F21S 4/15; F21S 4/26; F21S 2/00; F21V 11/02; F21V 11/06; F21V 17/10; F21V 17/16; F21V 21/0296; F21V 21/0054; F21V 21/008; F21V 21/00; F21V 21/08; F21V 23/00; F21V 23/04; F21V 33/00; F21V 14/025; F21W 2121/00; F21W 2121/04; F21Y 2115/10; F21Y 2101/02; F21L 4/00; F21L 4/02; F21L 4/04; F21L 4/08; F21L 13/08; F21L 17/00

See application file for complete search history.

(56) **References Cited**

**U.S. PATENT DOCUMENTS**

4,047,165 A 9/1977 Andreasson et al.  
4,319,309 A 3/1982 Benoit  
4,328,533 A 5/1982 Paredes  
4,788,631 A 11/1988 Fuller  
4,837,559 A 6/1989 Green, Sr.  
4,999,753 A 3/1991 MacKenzie

D340,777 S 10/1993 Choi et al.  
5,434,759 A 7/1995 Endo et al.  
5,627,513 A 5/1997 Weed et al.  
5,652,570 A 7/1997 Lepkofker  
5,806,965 A 9/1998 Deese

(Continued)

**OTHER PUBLICATIONS**

QuiqLite, Products page, <http://quiqlite.com/products/>. 2013, printed Apr. 18, 2016.

*Primary Examiner* — Abraham Bahta

(74) *Attorney, Agent, or Firm* — Husch Blackwell LLP

(57) **CLAIM**

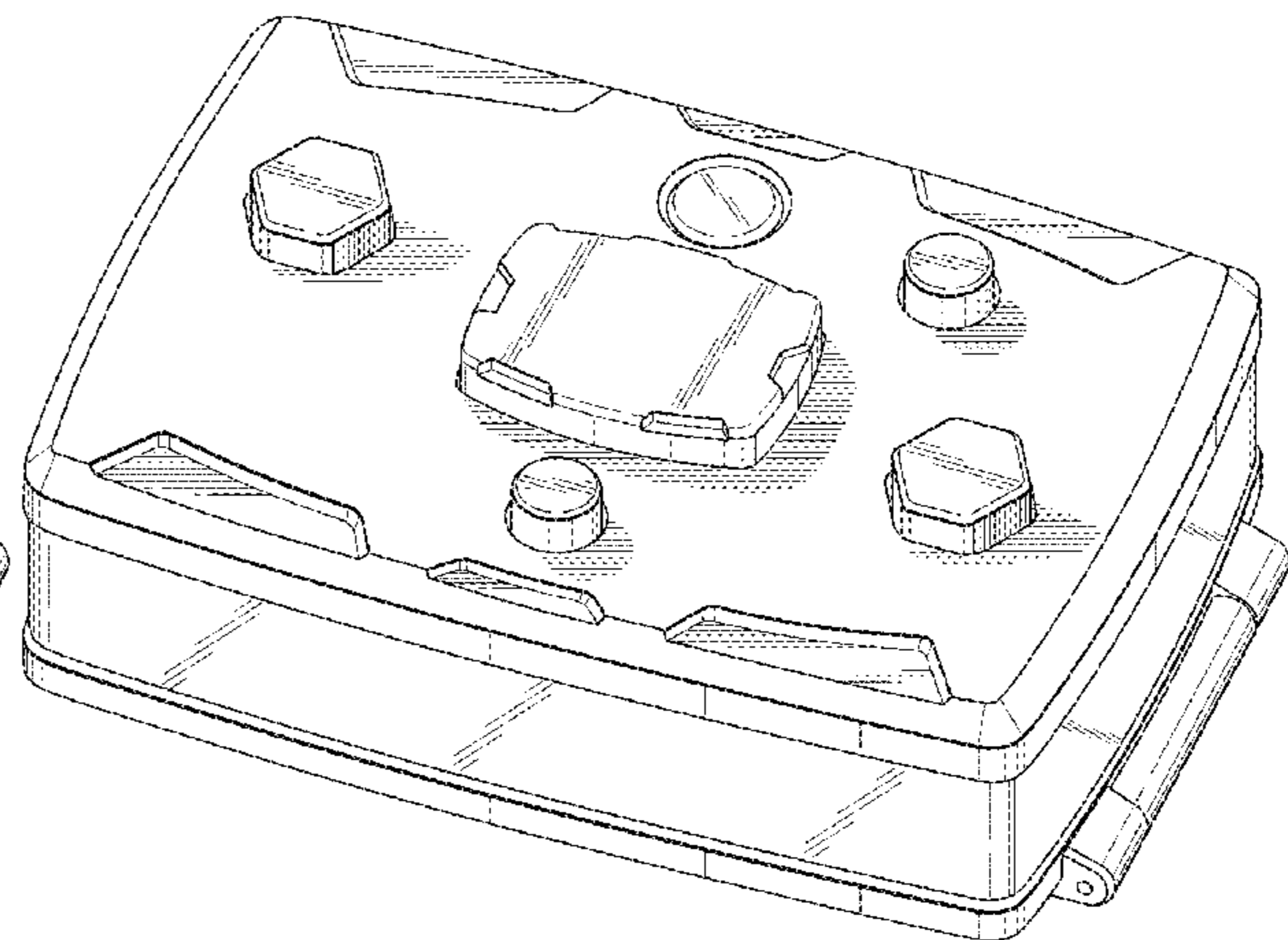
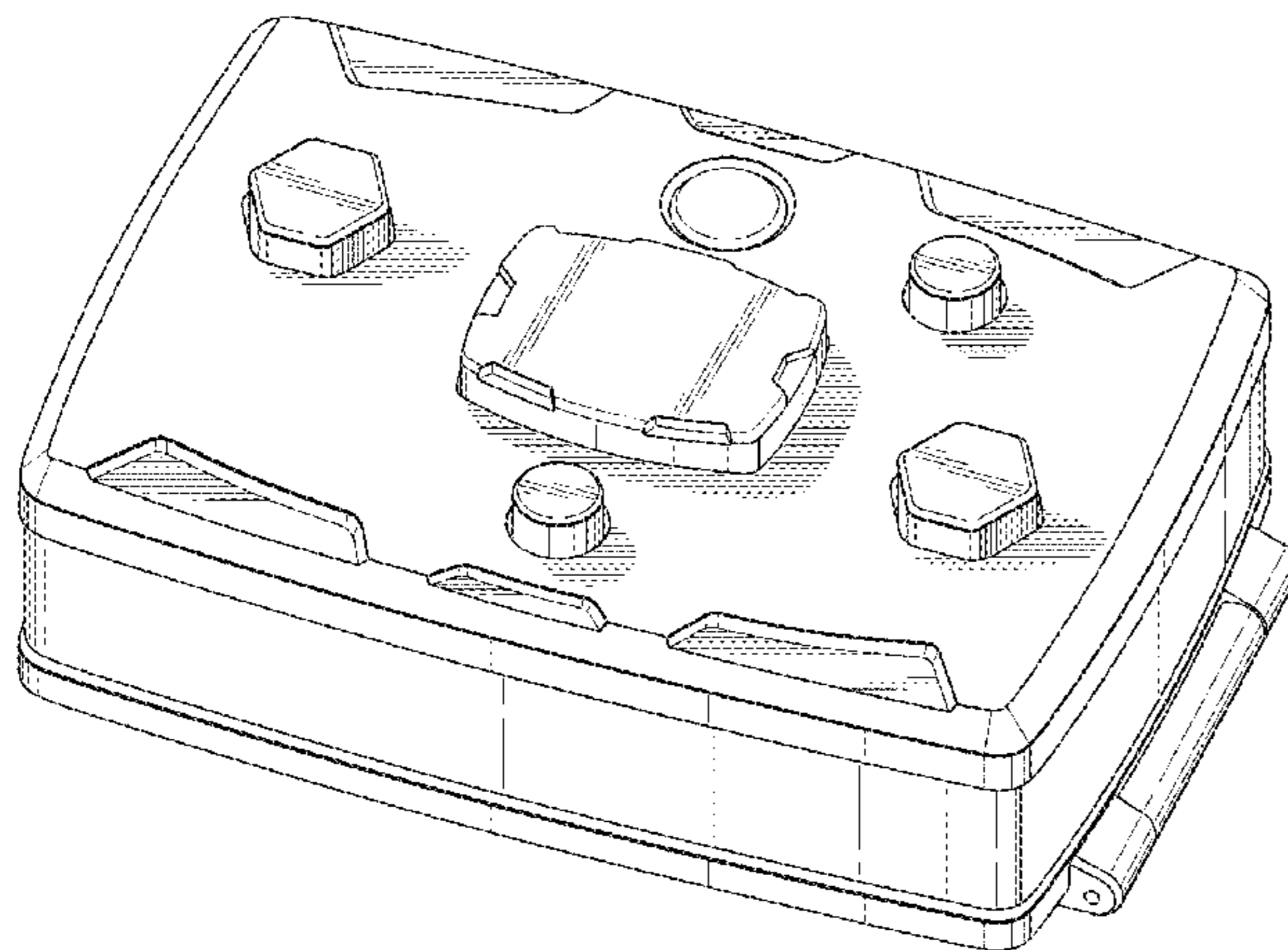
The ornamental design for a safety light, as shown and described.

**DESCRIPTION**

FIG. 1 is a front top perspective view of a first embodiment of a safety light showing my new design; FIG. 2 is a top plan view thereof; FIG. 3 is a front elevation view thereof; FIG. 4 is a left elevation view thereof; FIG. 5 is a bottom plan view thereof; FIG. 6 is a rear elevation view thereof; FIG. 7 is a right elevation view thereof; FIG. 8 is a front bottom perspective view thereof; FIG. 9 is a front perspective view of a second embodiment of a safety light showing my new design; FIG. 10 is a top plan view thereof; FIG. 11 is a front elevation view thereof; FIG. 12 is a left elevation view thereof; FIG. 13 is a bottom plan view thereof; FIG. 14 is a rear elevation view thereof; FIG. 15 is a right elevation view thereof; and, FIG. 16 is a front bottom perspective view thereof.

The broken lines depicting portions of a safety light for environment in the drawings are for illustrative purposes only, and form no part of the claimed design.

**1 Claim, 10 Drawing Sheets**



(56)

References Cited

U.S. PATENT DOCUMENTS

5,905,441 A 5/1999 Klee et al.  
 5,963,126 A 10/1999 Karlin et al.  
 6,137,396 A 10/2000 Puppo  
 6,213,619 B1 4/2001 Yu  
 D445,930 S 7/2001 Se Kit  
 6,461,015 B1 10/2002 Welch  
 6,486,797 B1 11/2002 Laidman  
 D486,932 S 2/2004 Dario et al.  
 D489,470 S 5/2004 Yuen  
 D511,984 S 11/2005 Kumagai  
 7,021,783 B2 4/2006 Quittner  
 D520,395 S 5/2006 Lazalier  
 7,306,348 B2 12/2007 Quittner  
 D578,691 S 10/2008 Lau  
 7,497,584 B1 3/2009 Quittner  
 D605,320 S 12/2009 Moudry et al.  
 7,862,193 B1 1/2011 Quittner  
 D637,330 S 5/2011 Lee  
 D642,310 S 7/2011 Idelson  
 7,984,998 B1 7/2011 Quittner  
 8,282,233 B2 10/2012 Quittner  
 D690,855 S 10/2013 Araujo et al.  
 8,851,697 B2 10/2014 Quittner  
 8,917,187 B2 12/2014 Matte  
 D765,897 S 9/2016 Dir  
 9,478,108 B2 10/2016 Matte et al.  
 D773,112 S 11/2016 Dir

D782,717 S 3/2017 Dir  
 D788,357 S \* 5/2017 Dodge ..... D26/138  
 D791,380 S 7/2017 Dir  
 D848,042 S \* 5/2019 Feng ..... D26/39  
 2002/0135999 A1 9/2002 Chen  
 2003/0058637 A1 3/2003 Hsien  
 2003/0112624 A1 6/2003 Quittner  
 2003/0132852 A1 7/2003 Povey et al.  
 2006/0067071 A1 3/2006 Quittner  
 2006/0076672 A1 4/2006 Petroski  
 2007/0113845 A1 5/2007 O'Brien et al.  
 2007/0171082 A1 7/2007 Melnik  
 2007/0176784 A1 8/2007 Fautin et al.  
 2007/0194048 A1 8/2007 Teig  
 2007/0200716 A1 8/2007 Haase et al.  
 2008/0088477 A1 4/2008 Martin et al.  
 2008/0130268 A1 6/2008 Johnson et al.  
 2008/0130272 A1 6/2008 Waters  
 2008/0247161 A1 10/2008 Hulsey et al.  
 2008/0259601 A1 10/2008 Frank et al.  
 2008/0319282 A1 12/2008 Tran  
 2009/0097238 A1 4/2009 Cousaine et al.  
 2009/0109677 A1 4/2009 Coushaine et al.  
 2010/0067234 A1 3/2010 Gebhard  
 2010/0117852 A1 5/2010 Matte  
 2011/0299271 A1 12/2011 Quittner  
 2013/0069793 A1 3/2013 Matte  
 2014/0085869 A1 3/2014 Quittner  
 2014/0285355 A1 9/2014 Matte et al.  
 2017/0023233 A1 1/2017 Matte et al.

\* cited by examiner

Fig. 1

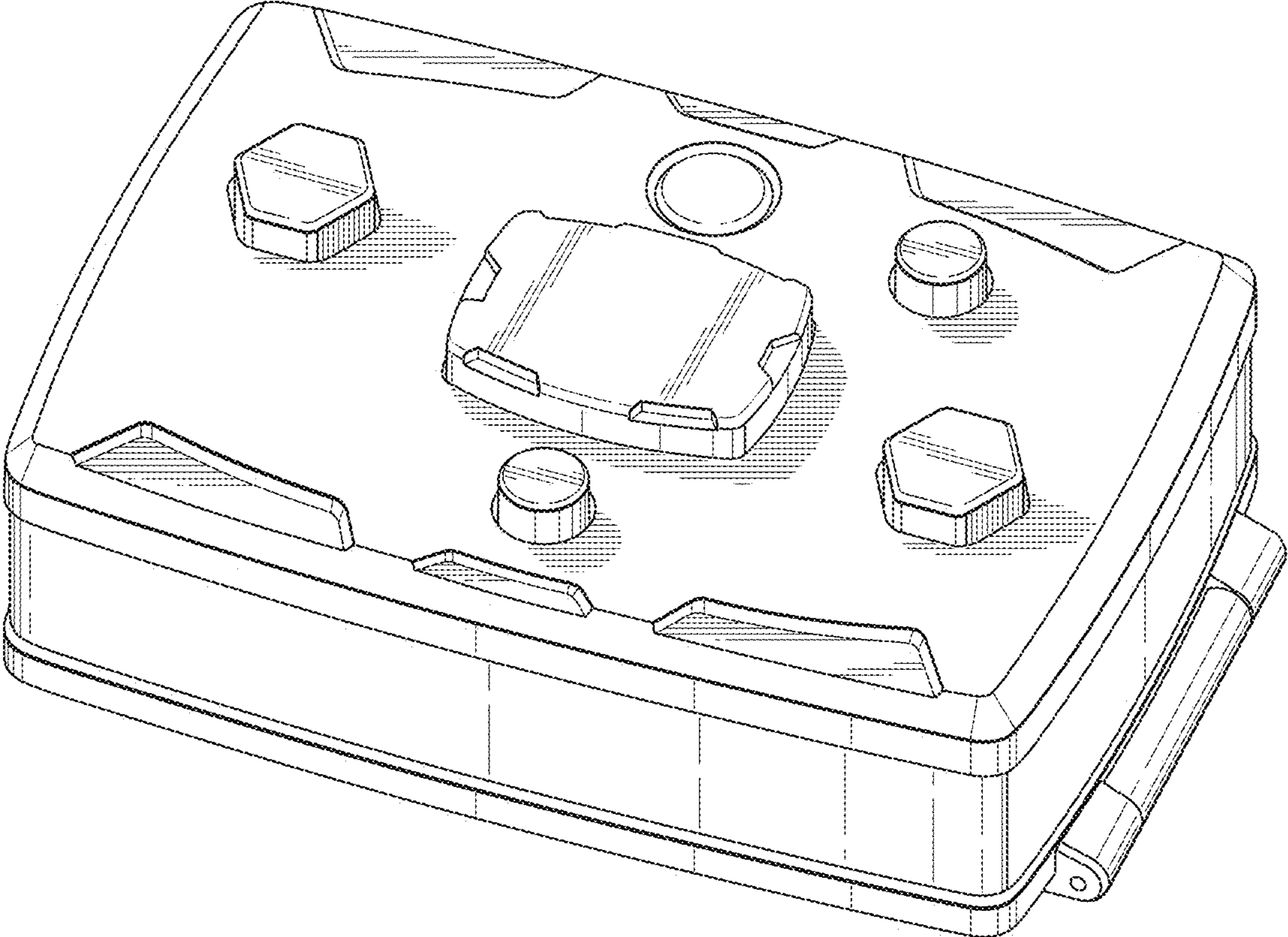




Fig. 2

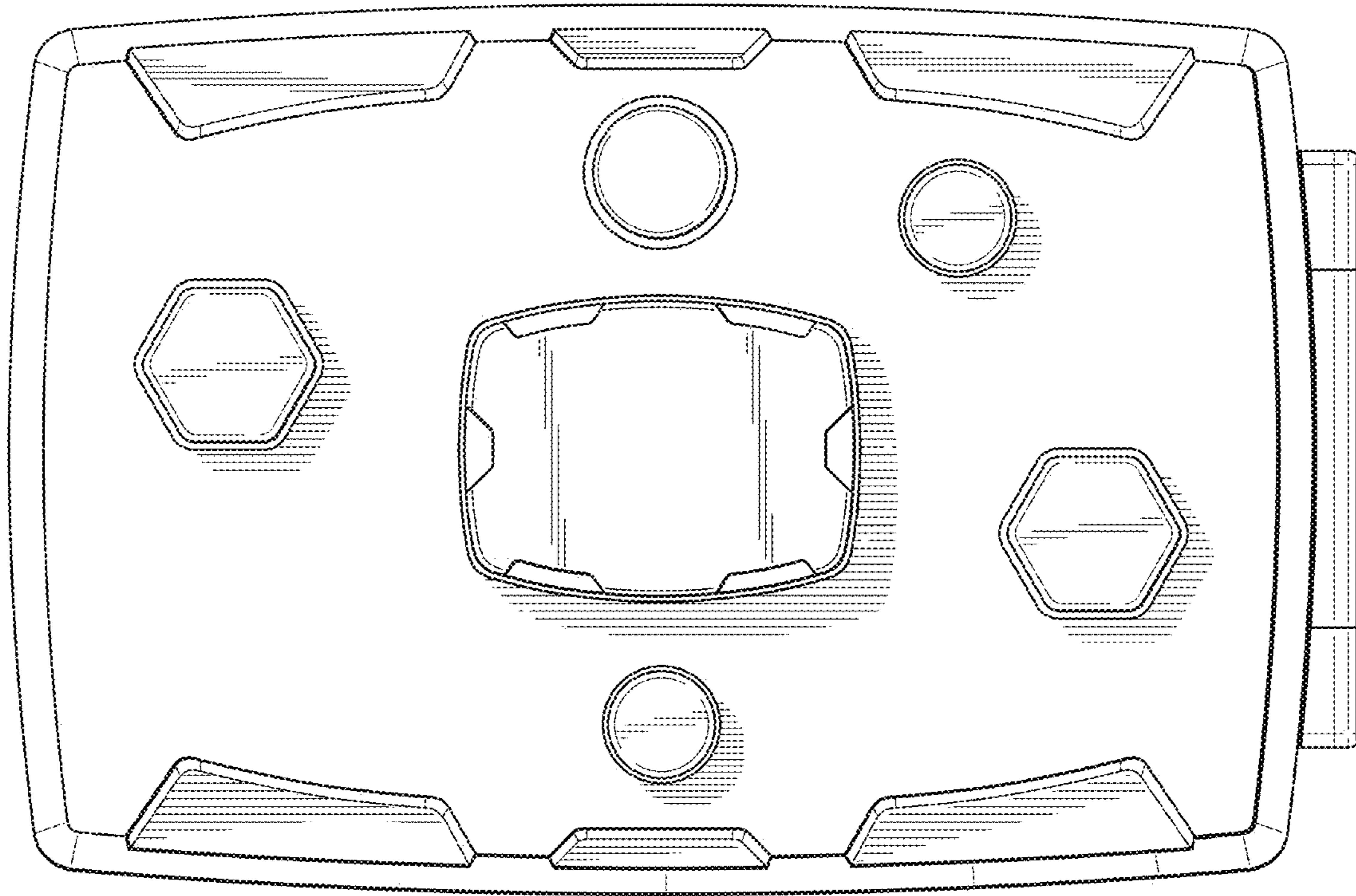


Fig. 3

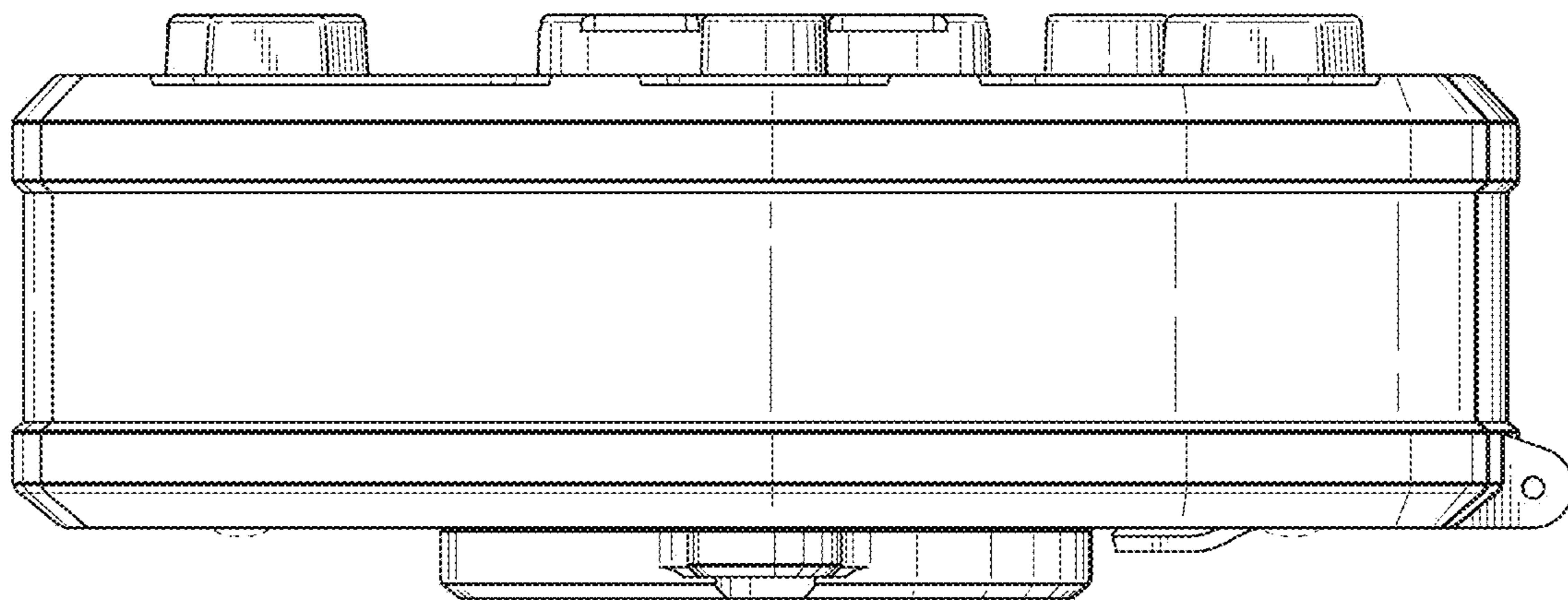


Fig. 4

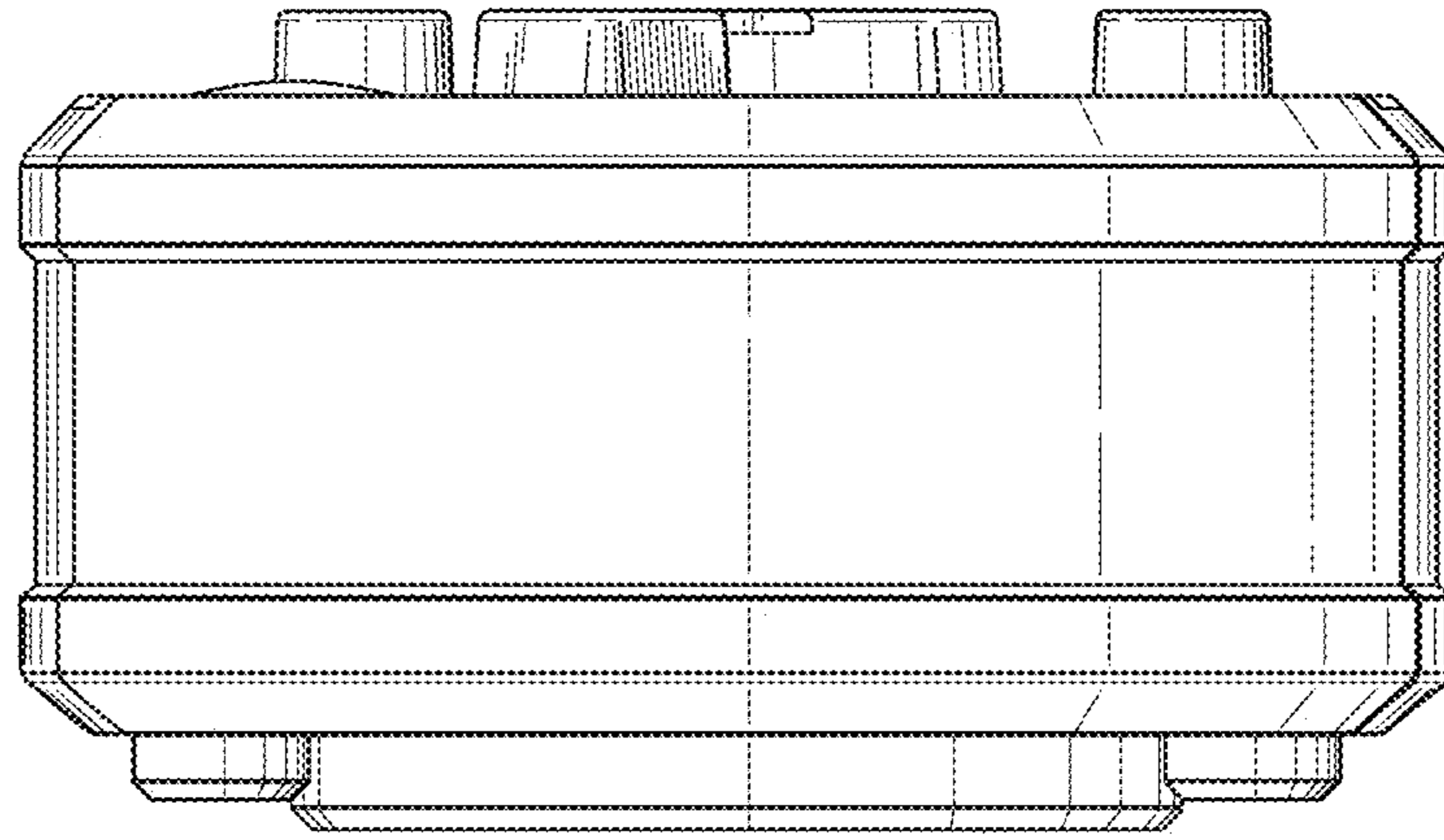


Fig. 5

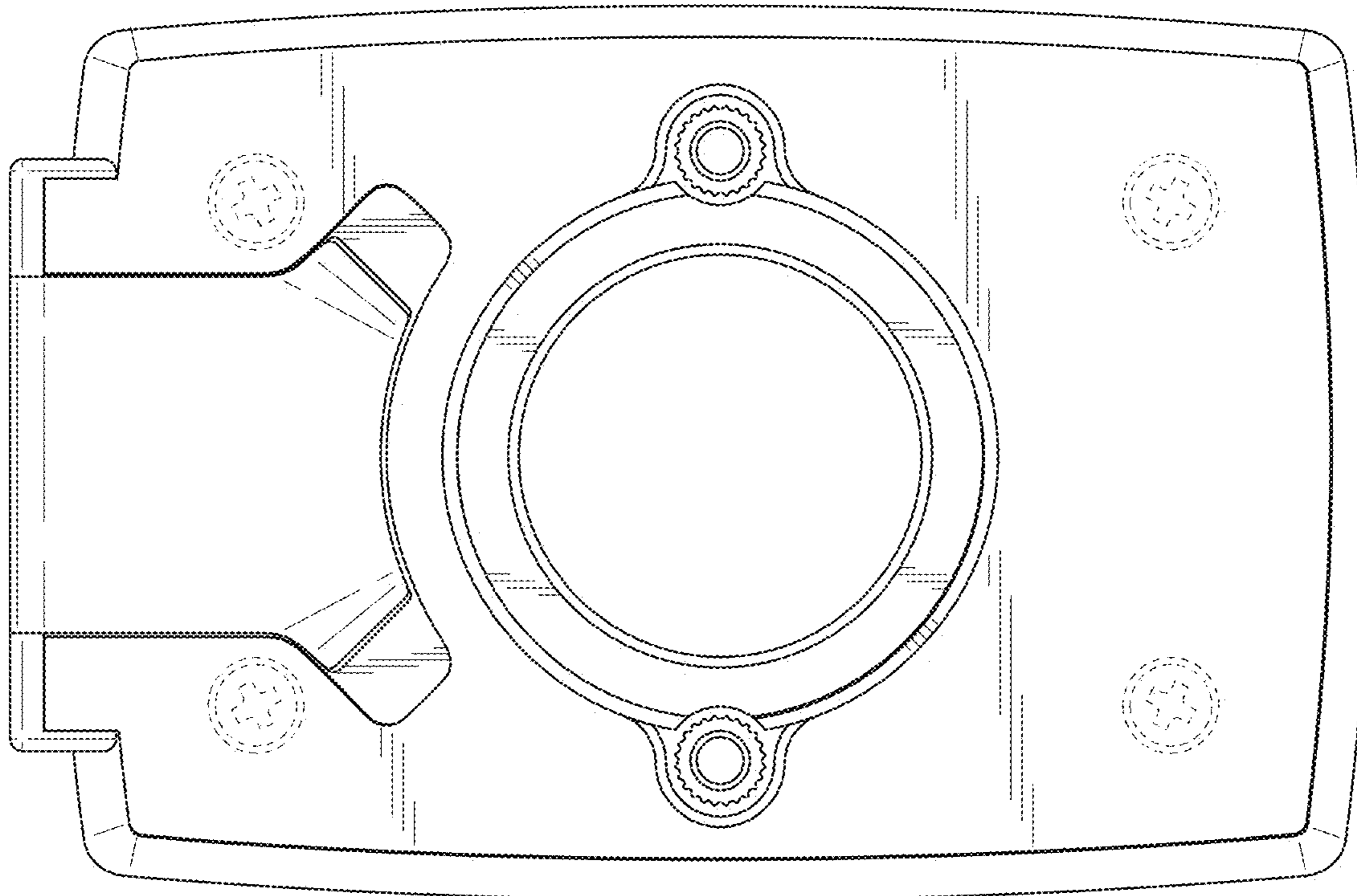


Fig. 6

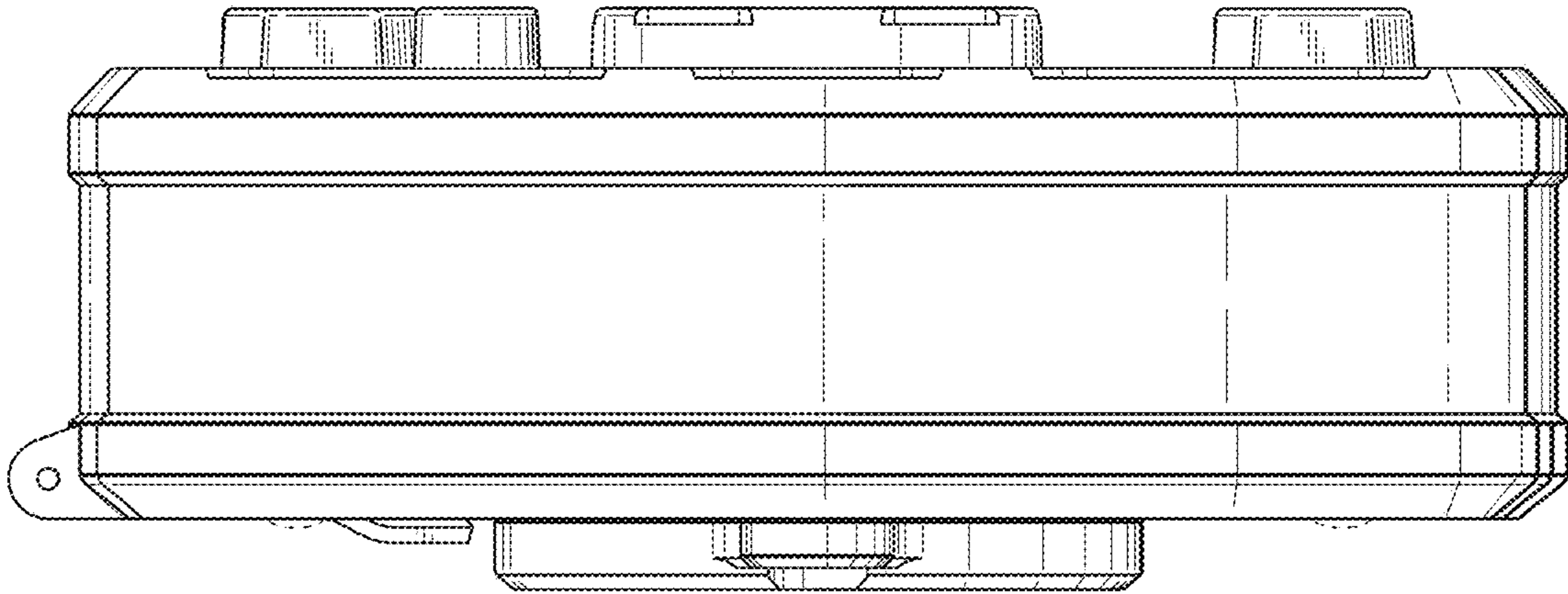


Fig. 7

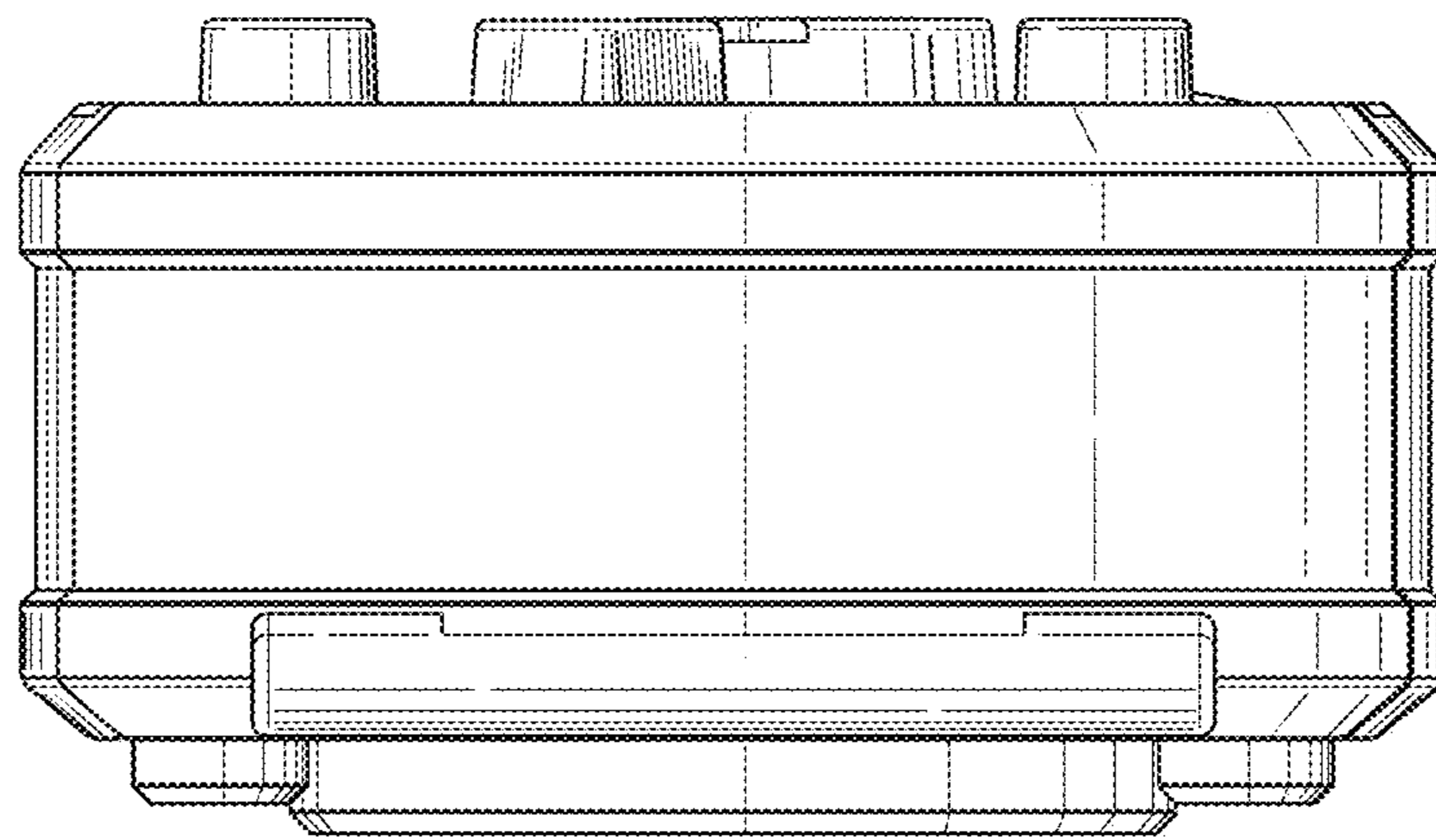


Fig. 8

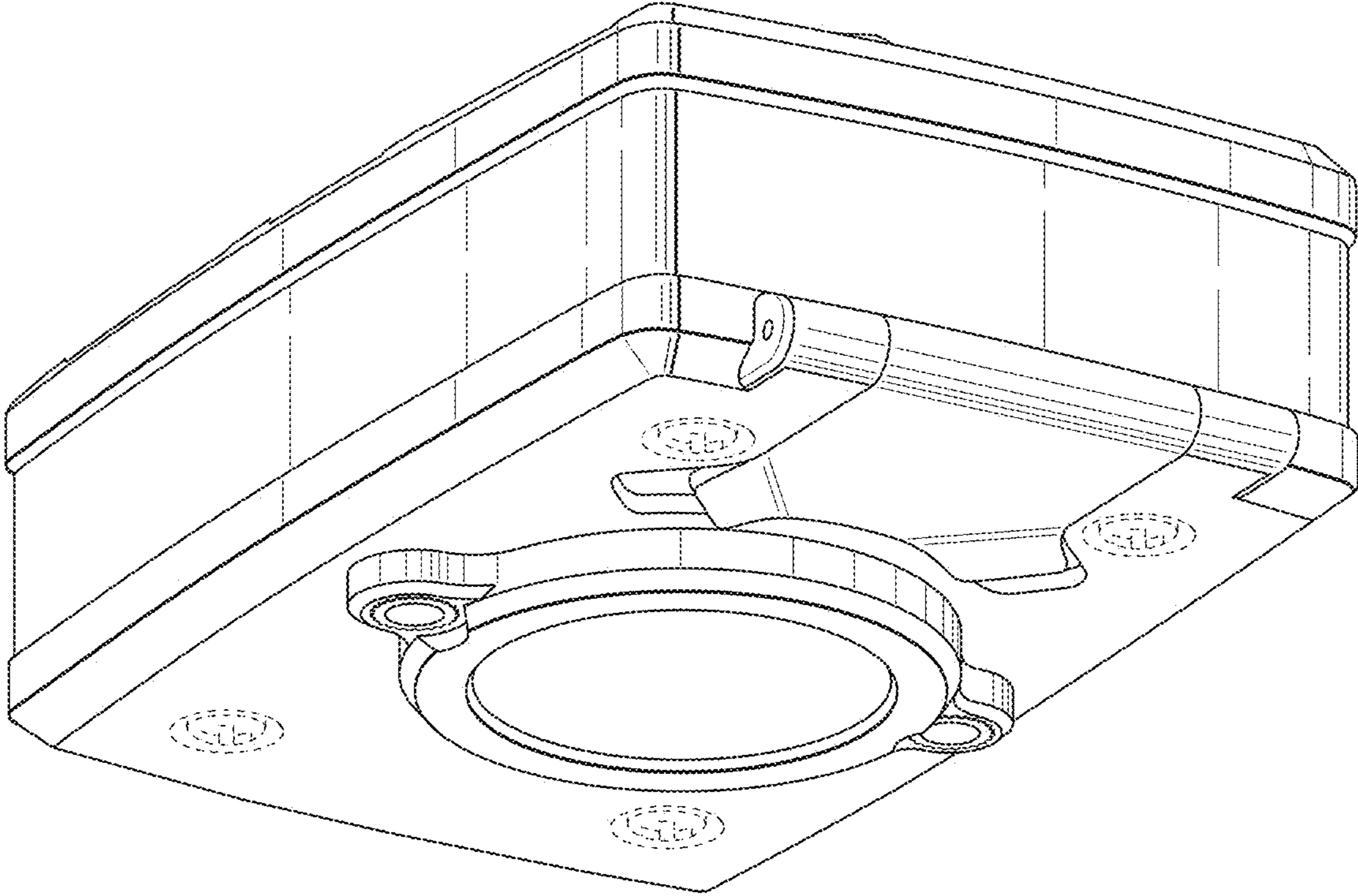




Fig. 9

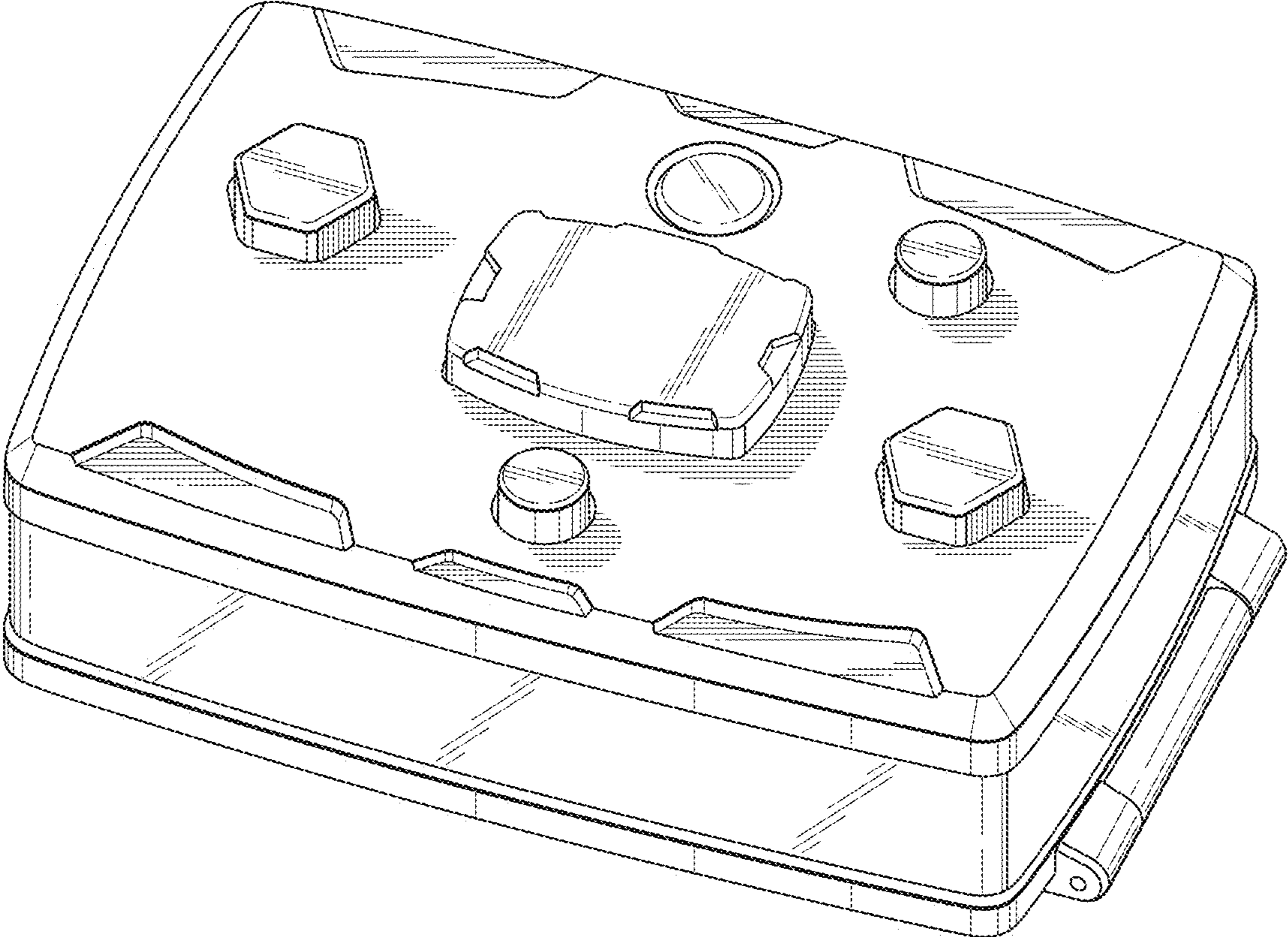




Fig. 10

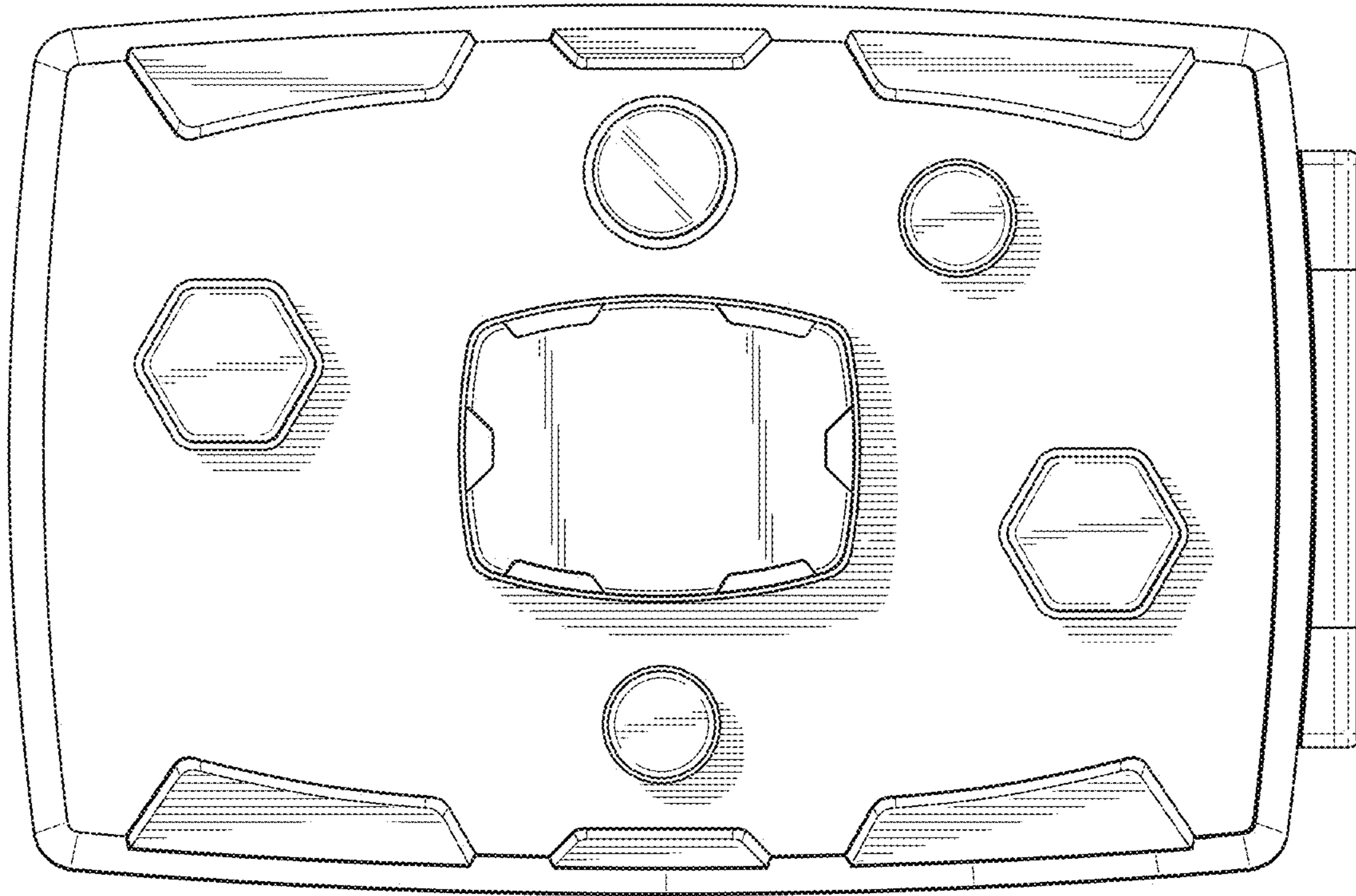


Fig. 11

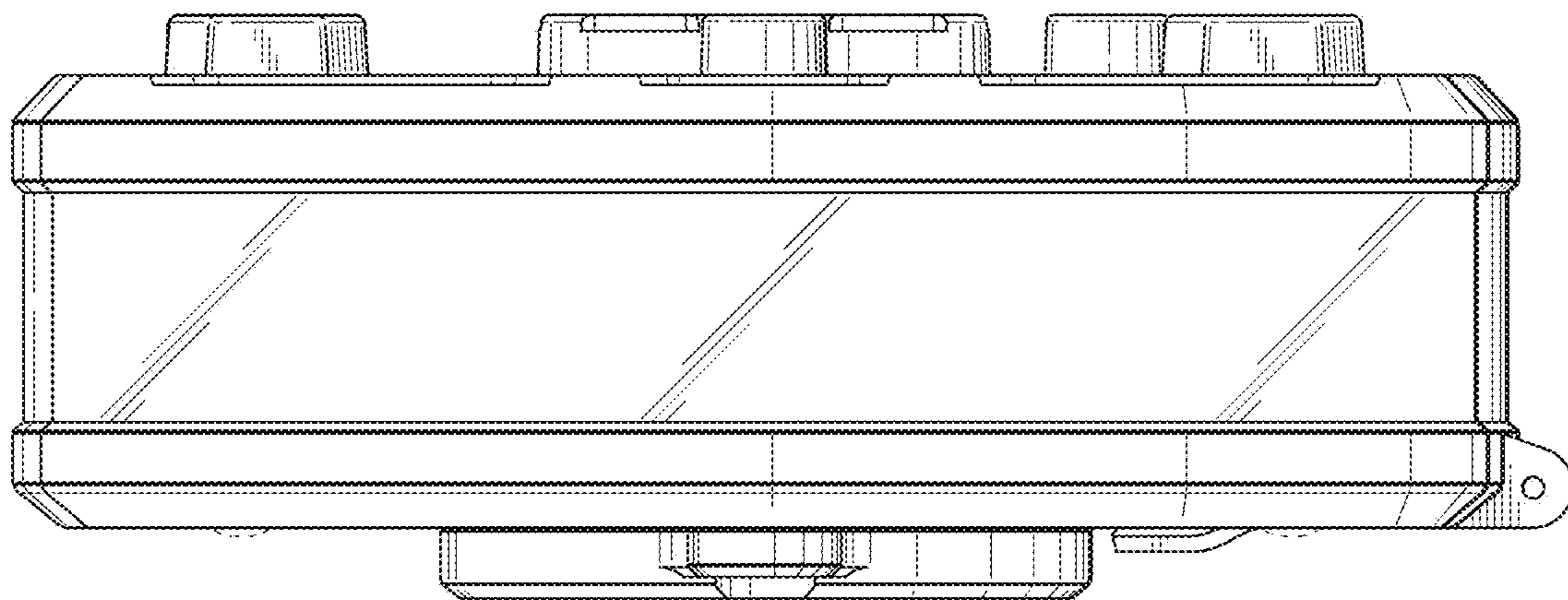


Fig. 12

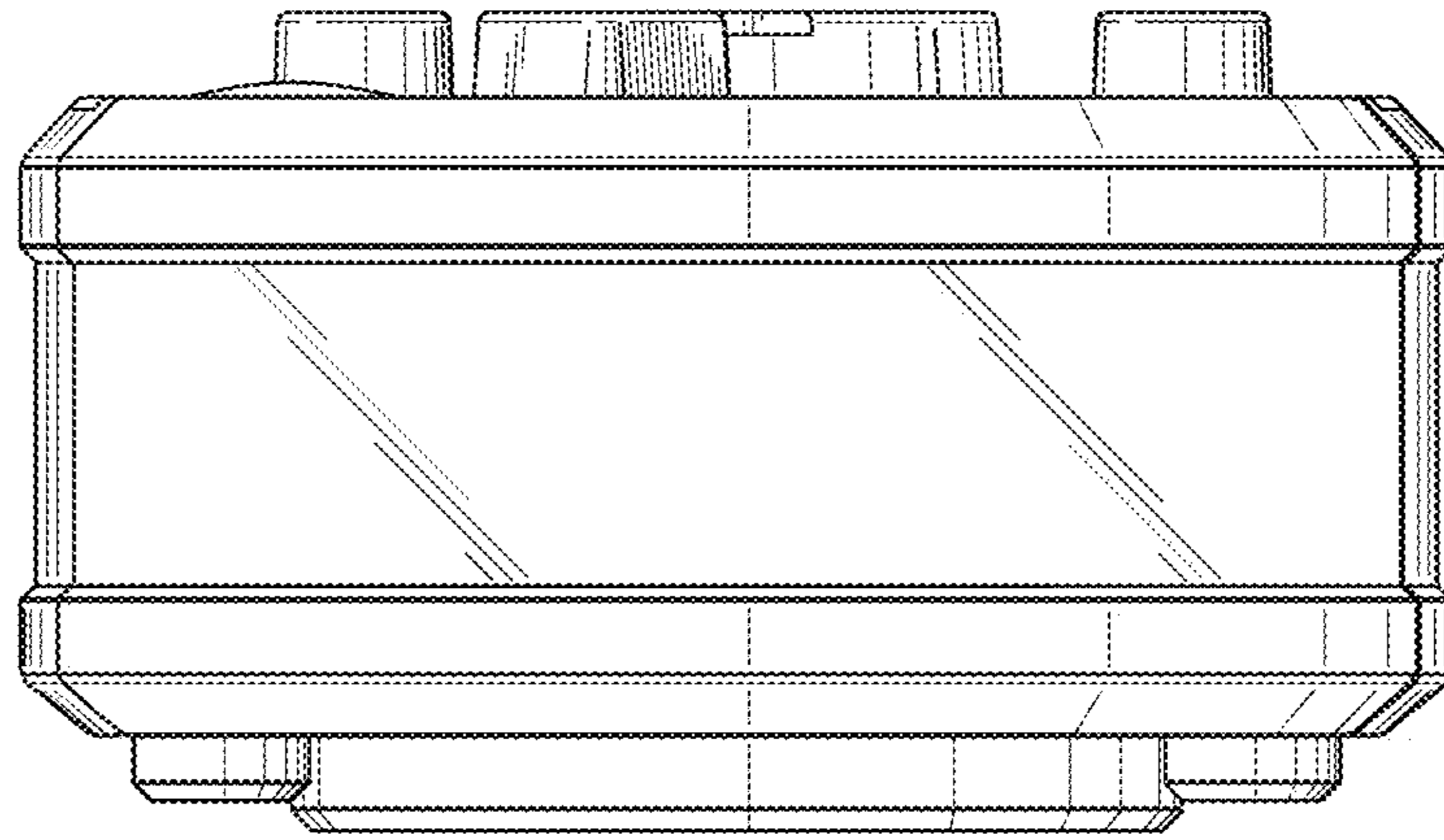


Fig. 13

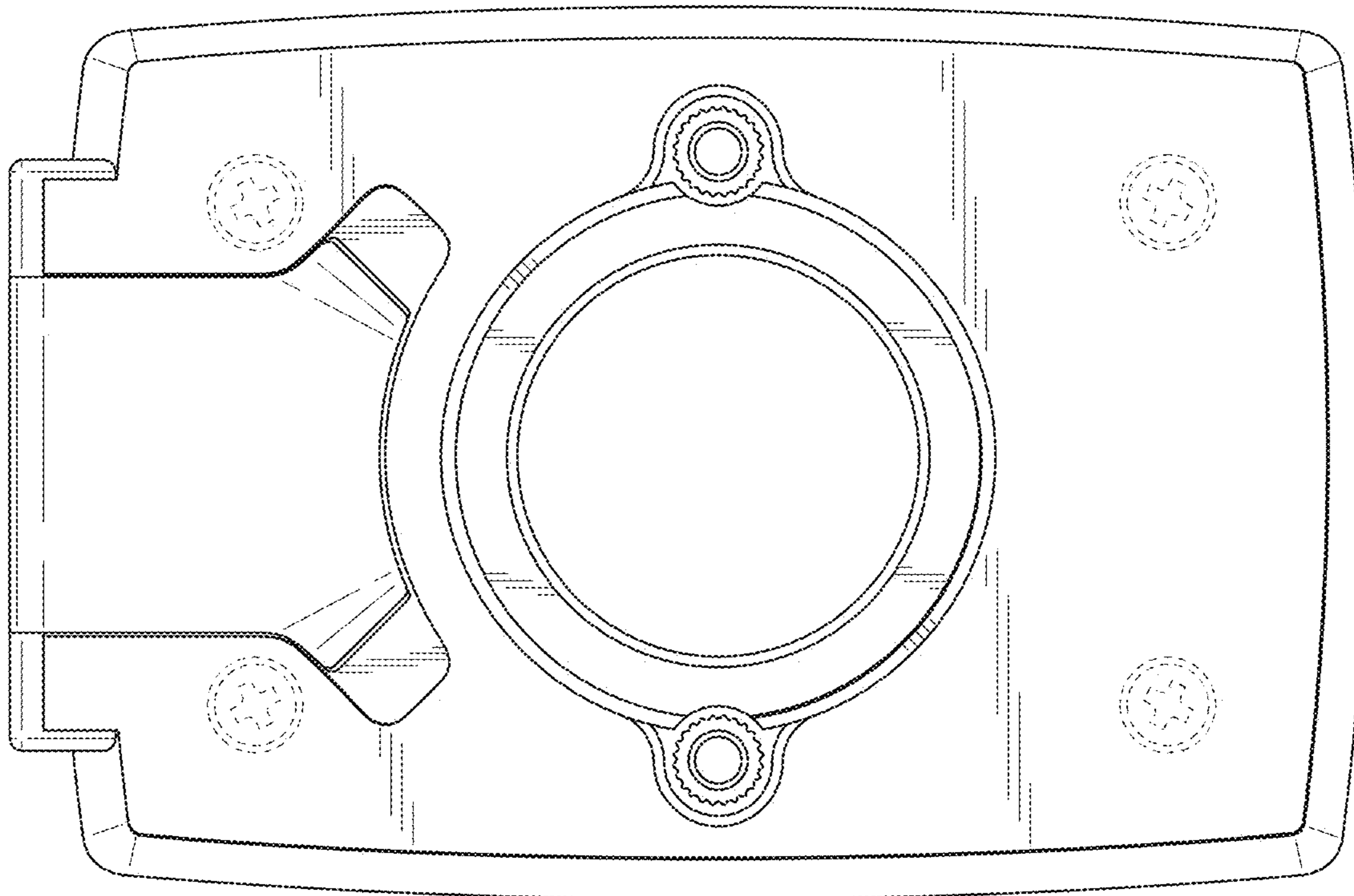


Fig. 14

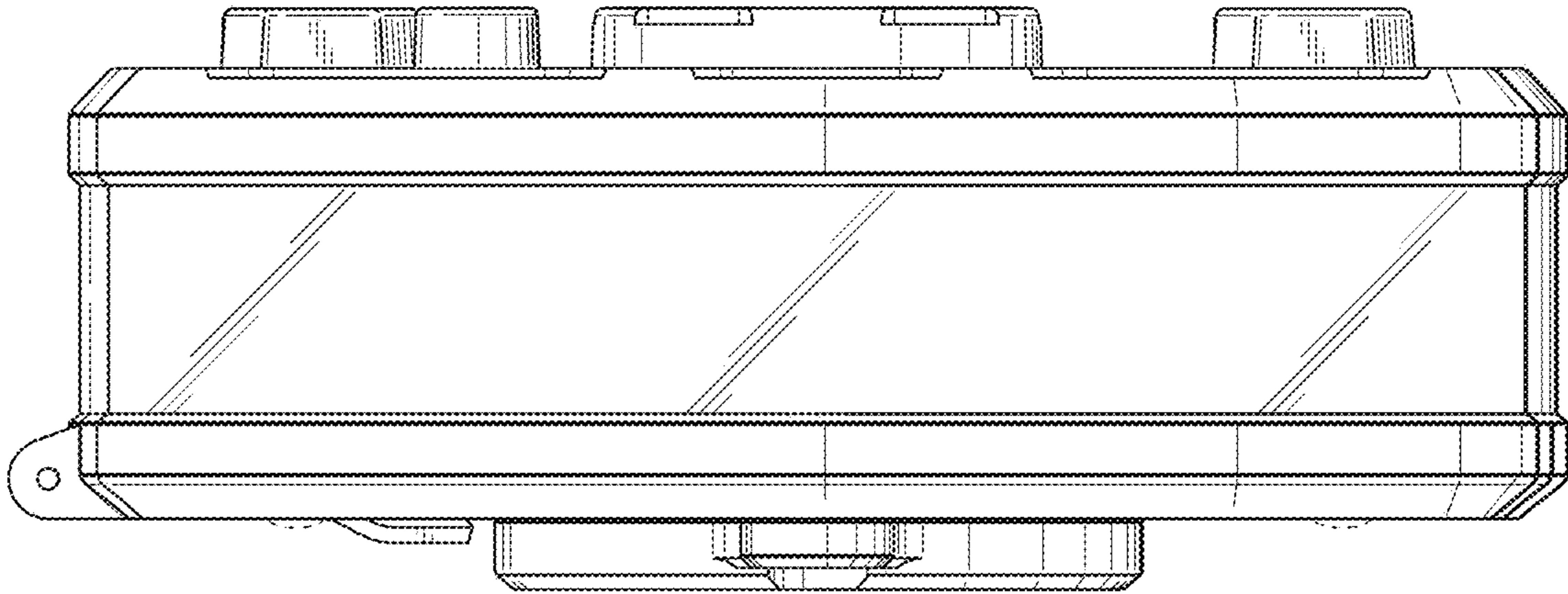


Fig. 15

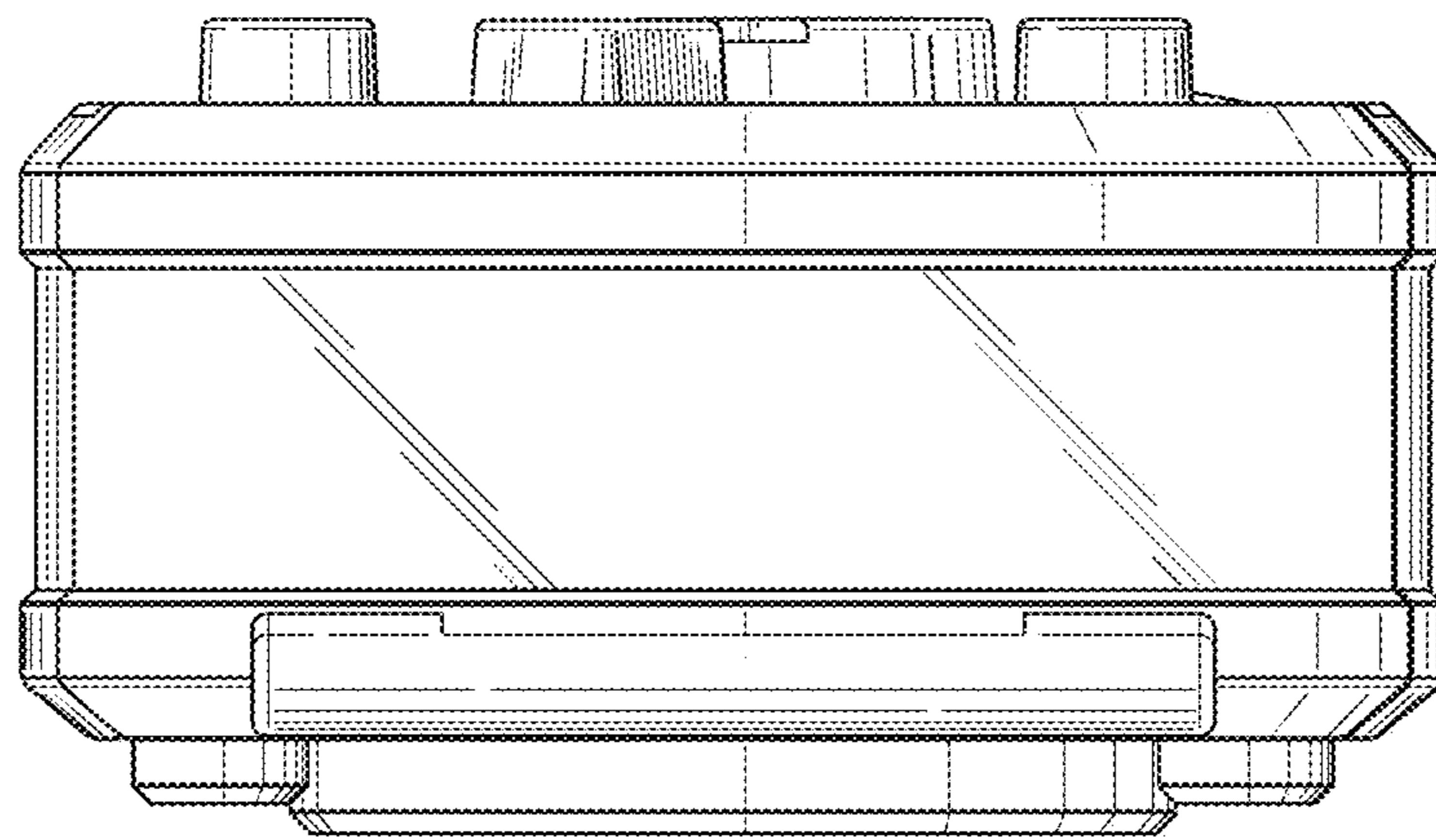




Fig. 16

