



US00D885623S

(12) **United States Design Patent**
Qiu

(10) **Patent No.:** **US D885,623 S**

(45) **Date of Patent:** **** May 26, 2020**

(54) **BLUETOOTH HEADLIGHT**

(71) Applicant: **Ningbo Futai Electric Limited,**
Ningbo, Zhejiang (CN)

(72) Inventor: **Fujun Qiu,** Ningbo (CN)

(73) Assignee: **Ningbo Futai Electric Limited,**
Ningbo, Zhejiang (CN)

(**) Term: **15 Years**

(21) Appl. No.: **29/591,746**

(22) Filed: **Jan. 23, 2017**

(30) **Foreign Application Priority Data**

Jul. 21, 2016 (CN) 2016 3 0335296

(51) **LOC (12) Cl.** **26-02**

(52) **U.S. Cl.**
USPC **D26/39; D26/38; D14/217; D14/205**

(58) **Field of Classification Search**
USPC D26/37-51; D14/206, 223, 205, 155,
D14/217, 218, 203.3, 203.5, 203.7, 191,
D14/141.3

(Continued)

(56) **References Cited**

U.S. PATENT DOCUMENTS

D290,608 S * 6/1987 Fisher D14/191
D371,791 S * 7/1996 Patton D14/218

(Continued)

OTHER PUBLICATIONS

Rechargeable Bluetooth LED Headlamp, [online], site visited Sep. 16, 2019. Available online <URLhttps://fccid.io/2ACMOLWFT1658/User-Manual/User-Manual-rev-1-3087672>:, 9 pages (Year: 2019).*

Primary Examiner — Jeffrey D Asch
Assistant Examiner — Carissa C Fitts

(74) *Attorney, Agent, or Firm* — Raymond Y. Chan;
David and Raymond Patent Firm

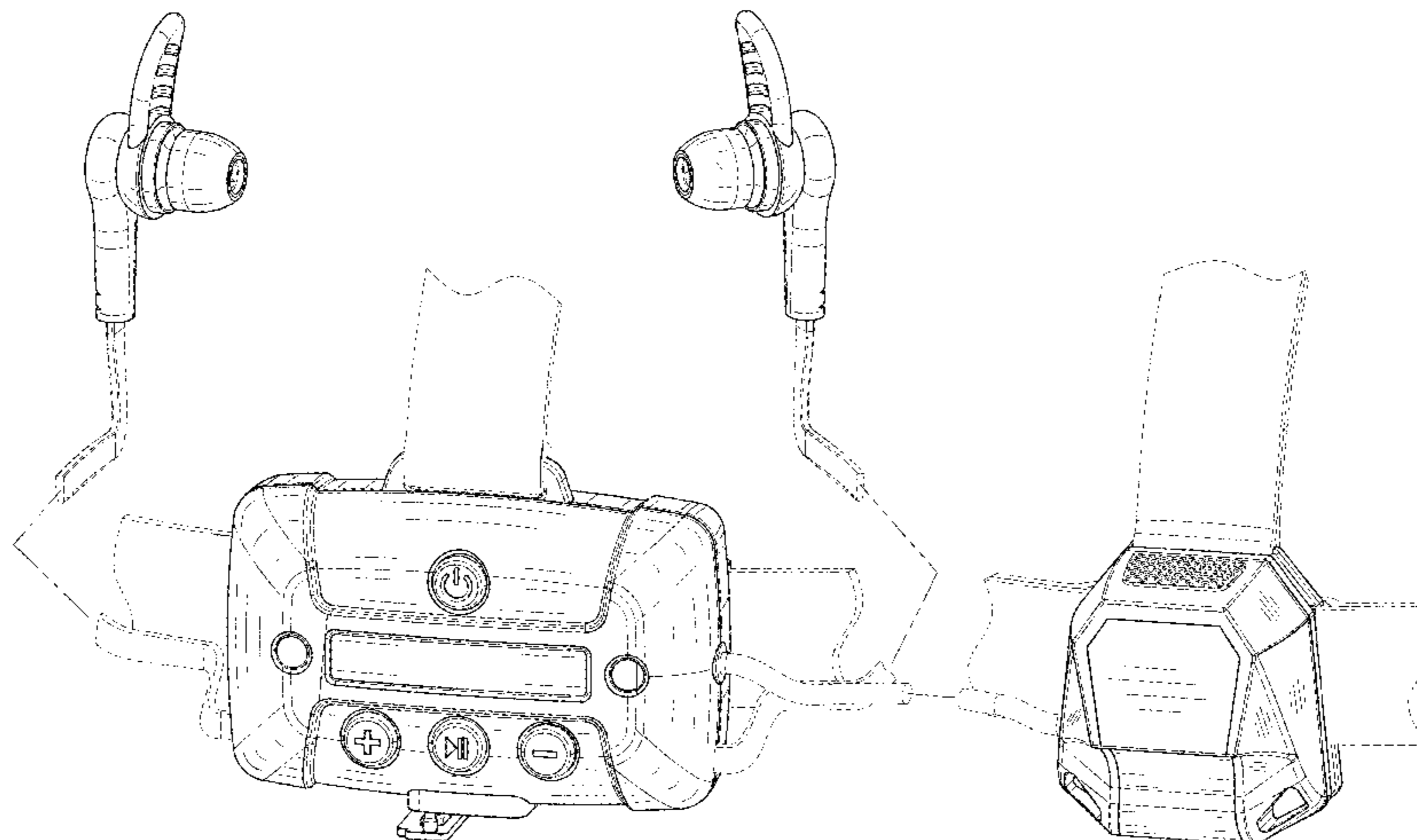
(57) **CLAIM**

The ornamental design for a bluetooth headlight, as shown and described.

DESCRIPTION

FIG. 1 is a front view of a control unit in the bluetooth headlight shown in FIG. 24;
FIG. 2 is a rear view thereof;
FIG. 3 is a left view thereof;
FIG. 4 is a right view thereof;
FIG. 5 is a top view thereof;
FIG. 6 is a bottom view thereof;
FIG. 7 is a front perspective view thereof;
FIG. 8 is a rear perspective view thereof;
FIG. 9 is a front view of a headlight of the bluetooth headlight shown in FIG. 24;
FIG. 10 is a rear view thereof;
FIG. 11 is a right view thereof;
FIG. 12 is a left view thereof;
FIG. 13 is a top view thereof;
FIG. 14 is a bottom view thereof;
FIG. 15 is a front perspective view thereof;
FIG. 16 is a rear perspective view thereof;
FIG. 17 is a front view of a pair of earphones of the bluetooth headlight as shown in FIG. 24;
FIG. 18 is a rear view thereof;
FIG. 19 is a left view thereof;
FIG. 20 is a right view thereof;
FIG. 21 is a top view thereof;
FIG. 22 is a bottom view thereof;
FIG. 23 is a perspective view thereof; and,
FIG. 24 is a perspective view of the bluetooth headlight, showing my new design which includes the control unit, the headlight and the pair of earphones.
The three components that make up the bluetooth headlight, the control unit, the headlight, and the pair of earphones, have been shown separately to more clearly set forth the appearance thereof.

(Continued)



The broken lines show portions of the article which form no part of the claimed design.

1 Claim, 24 Drawing Sheets

(58) Field of Classification Search

CPC F21L 2003/00; F21L 4/00; F21L 4/005;
 F21L 4/02; F21L 4/025; F21L 4/027;
 F21L 4/04; F21L 4/08; F21L 2005/00;
 F21L 7/00; F21L 11/00; F21L 13/00;
 F21L 13/04; F21L 13/08; F21L 14/02;
 F21L 17/00; F21L 19/00; F21L 25/00

See application file for complete search history.

(56) References Cited

U.S. PATENT DOCUMENTS

| | | | | |
|--------------|---------|----------|-------|-----------|
| D371,792 S * | 7/1996 | Patton | | D14/218 |
| D375,743 S * | 11/1996 | Nishii | | D14/191 |
| D378,920 S * | 4/1997 | Kurcbart | | D14/191 |
| D416,910 S * | 11/1999 | Vasquez | | D14/218 |
| D439,242 S * | 3/2001 | Brown | | D14/141.3 |
| D519,099 S * | 4/2006 | Liu | | D14/137 |
| D584,720 S * | 1/2009 | Houy | | D14/223 |
| D594,851 S * | 6/2009 | Dai | | D14/218 |
| D602,904 S * | 10/2009 | Lomp | | D14/203.3 |

| | | | | |
|--------------|---------|-------------|-------|-------------|
| D643,400 S * | 8/2011 | Wahl | | D14/203.5 |
| D644,213 S * | 8/2011 | Quek | | D14/223 |
| D645,458 S * | 9/2011 | Silvestri | | H04R 1/1016 |
| | | | | D14/223 |
| D666,175 S * | 8/2012 | Yamada | | D14/218 |
| D666,176 S * | 8/2012 | Yamada | | D14/218 |
| D672,483 S * | 12/2012 | Tedesco | | D26/39 |
| D683,489 S * | 5/2013 | Lee | | D26/39 |
| D695,265 S * | 12/2013 | Schaal | | D14/205 |
| D707,867 S * | 6/2014 | Kotsis | | D26/39 |
| D715,253 S * | 10/2014 | Lee | | D14/205 |
| D726,356 S * | 4/2015 | Windom | | D13/103 |
| D733,951 S * | 7/2015 | Kent | | D26/39 |
| D739,974 S * | 9/2015 | Kelleghan | | D11/201 |
| D745,729 S * | 12/2015 | Salmon | | D26/39 |
| D745,731 S * | 12/2015 | Zimmerli | | D26/39 |
| D751,743 S * | 3/2016 | Watson | | D26/113 |
| D751,744 S * | 3/2016 | Watson | | D26/113 |
| D754,638 S * | 4/2016 | Krissman | | D14/223 |
| D758,355 S * | 6/2016 | Lee | | D14/223 |
| D758,629 S * | 6/2016 | Matthews | | D26/39 |
| D790,512 S * | 6/2017 | Lee | | D14/217 |
| D805,667 S * | 12/2017 | Green | | D26/39 |
| D828,597 S * | 9/2018 | Petzl | | D26/39 |
| D828,599 S * | 9/2018 | Petzl | | D26/39 |
| D845,282 S * | 4/2019 | Chen | | D14/223 |
| D846,525 S * | 4/2019 | Wu | | D14/159 |
| D850,407 S * | 6/2019 | Li | | D14/205 |
| D870,078 S * | 12/2019 | Kim | | D14/218 |
| D870,711 S * | 12/2019 | Karayiannis | | D14/223 |

* cited by examiner

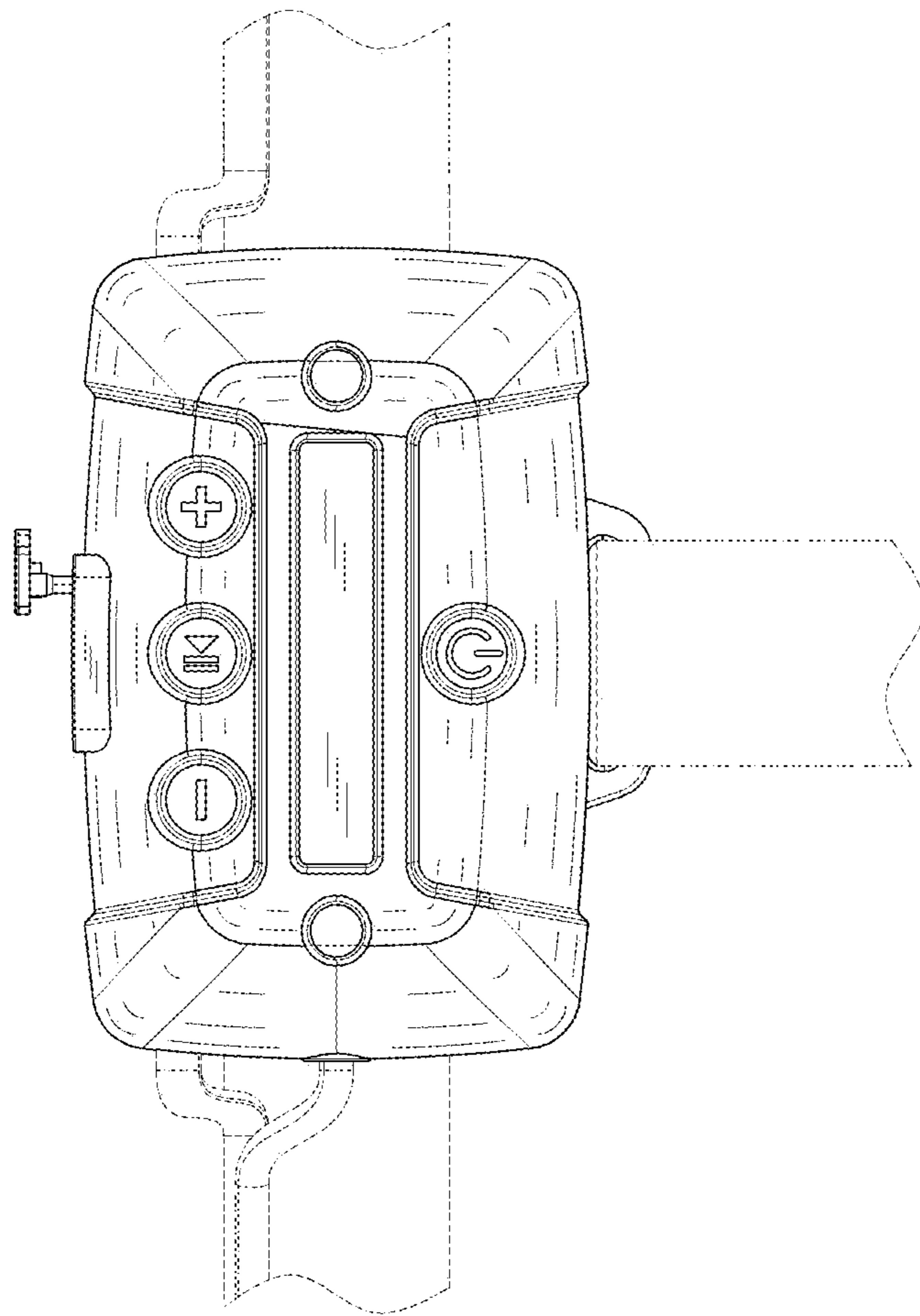


FIG. 1

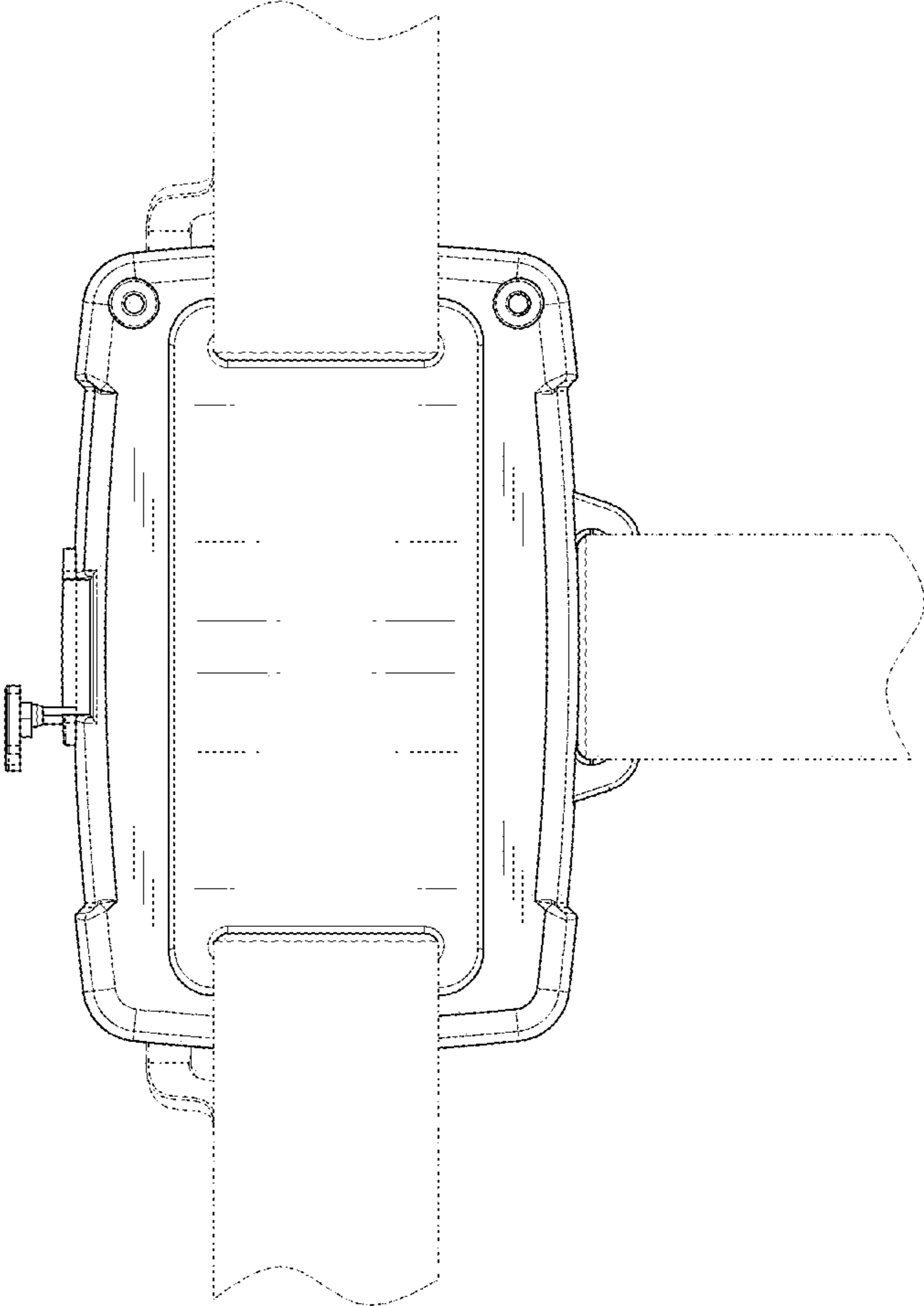


FIG. 2

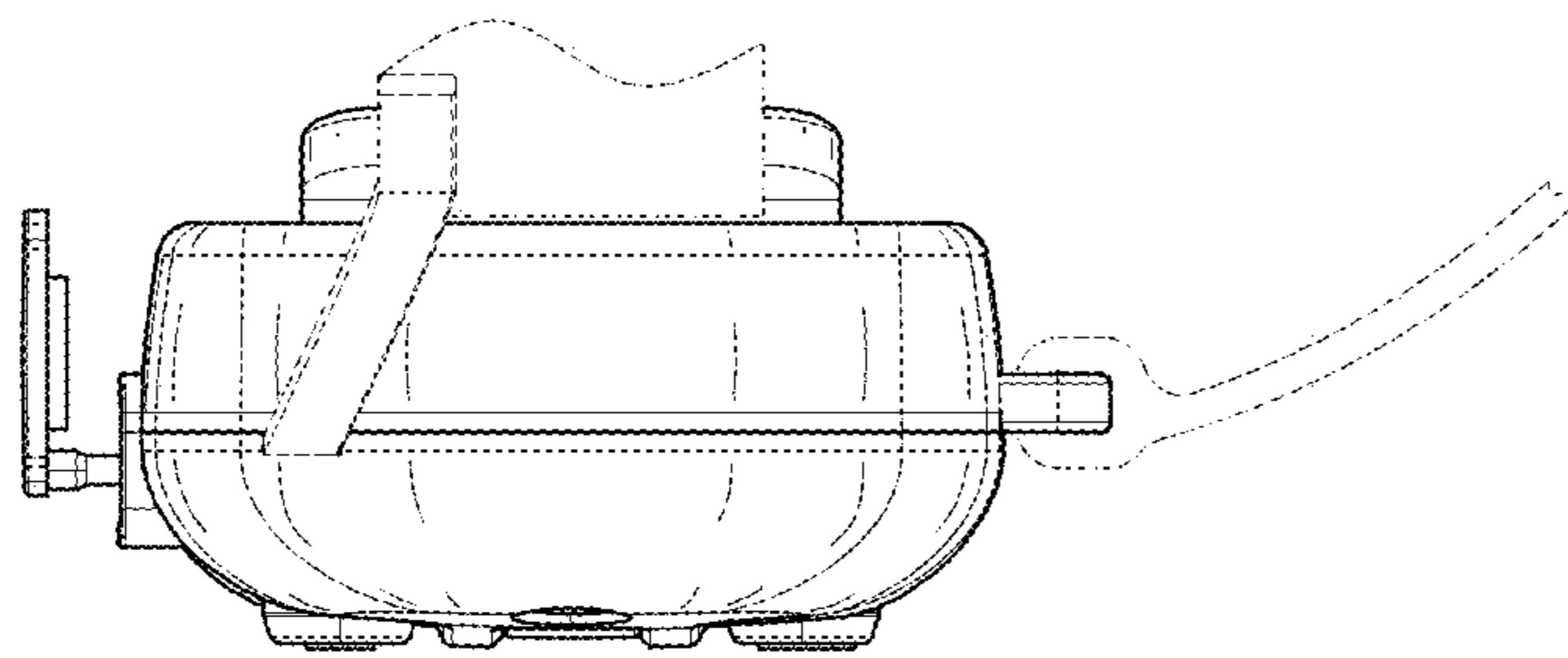


FIG. 3

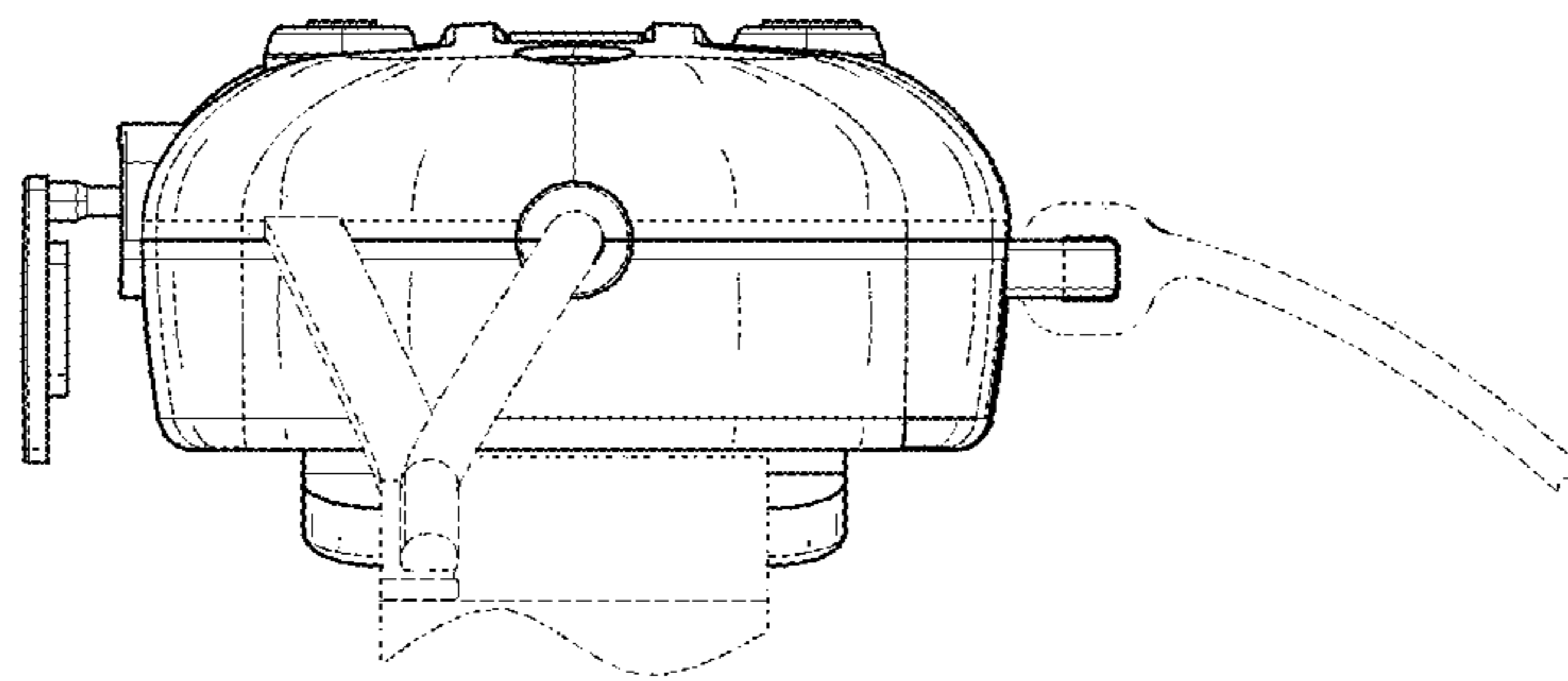


FIG. 4

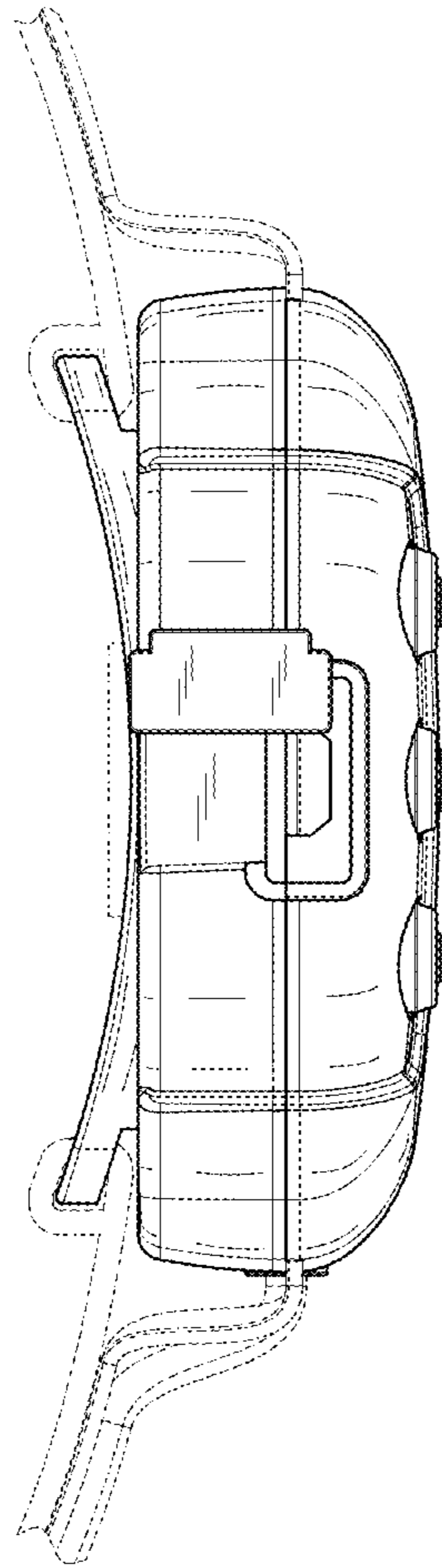


FIG. 5

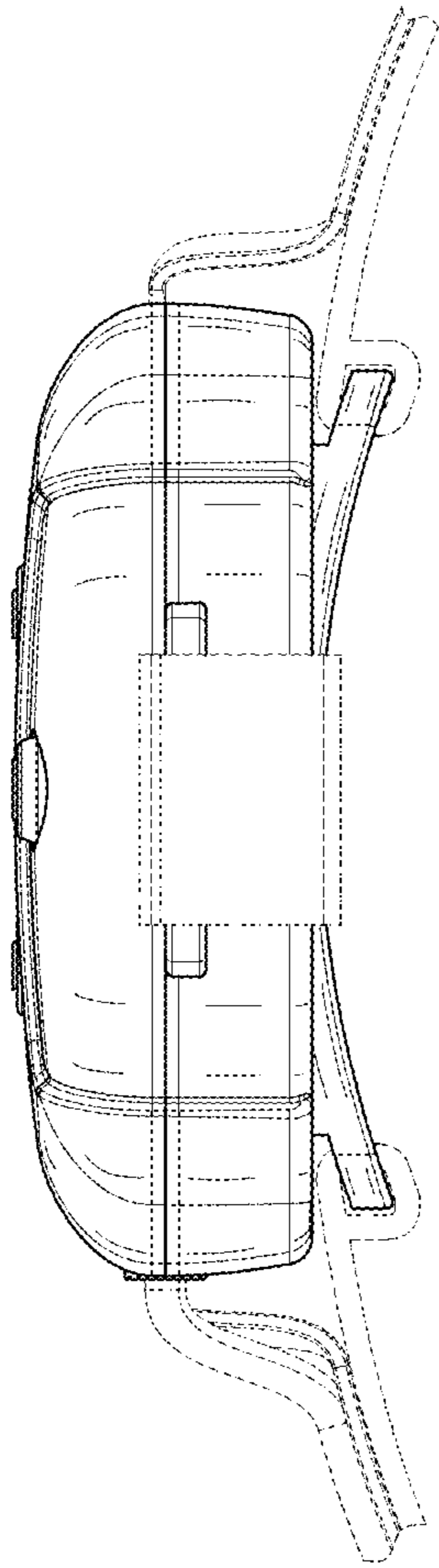


FIG. 6

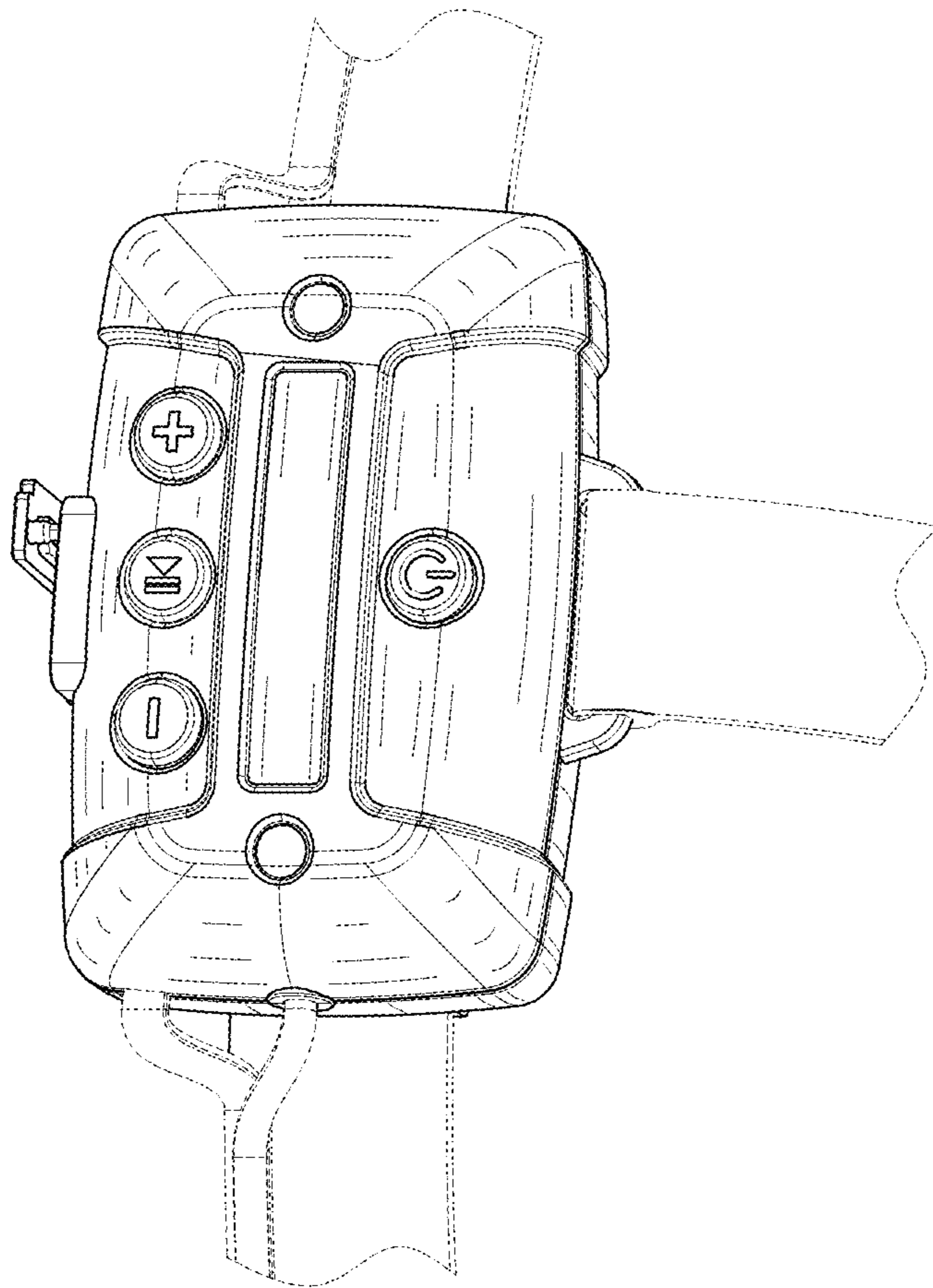


FIG. 7

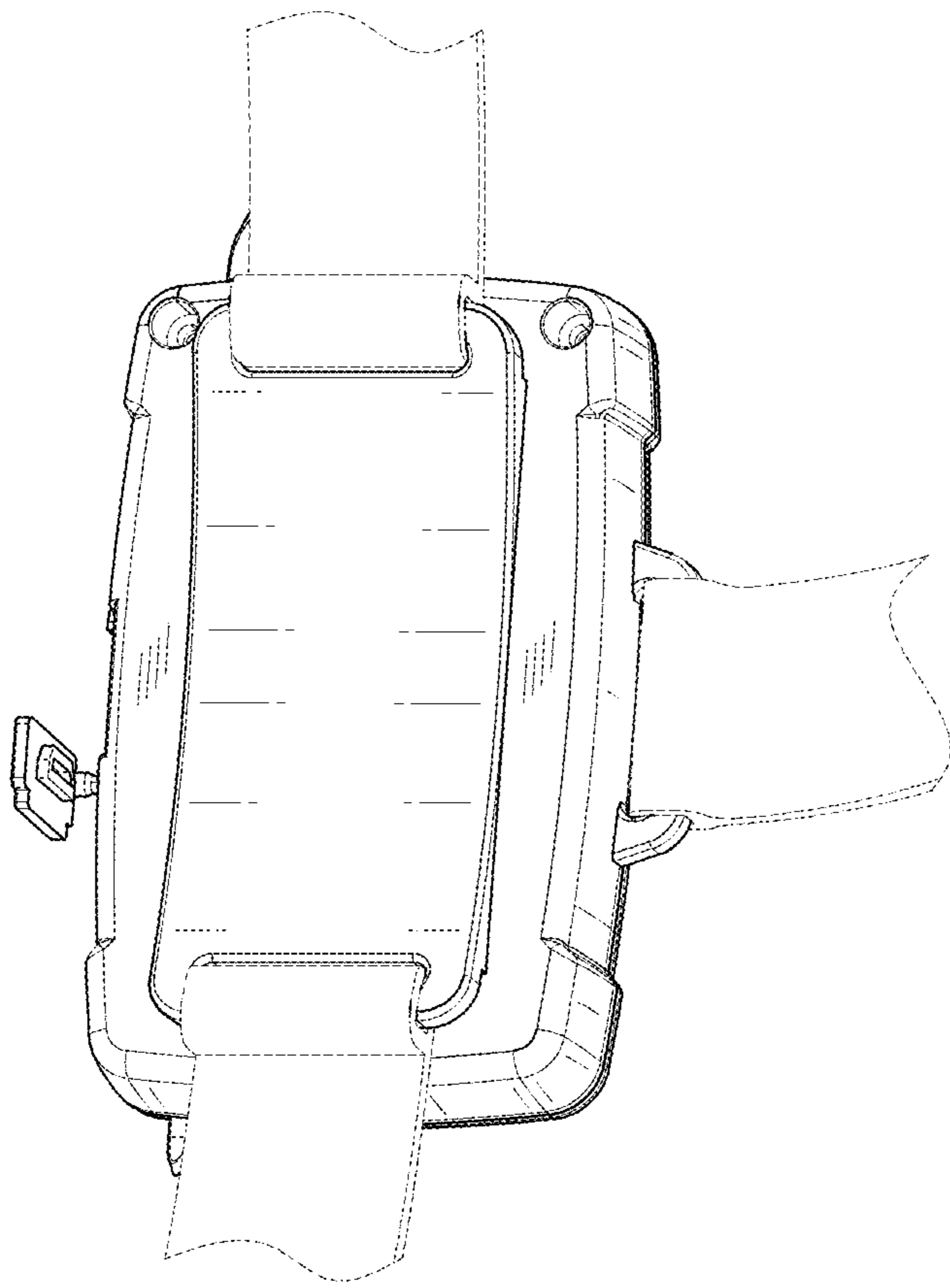


FIG. 8

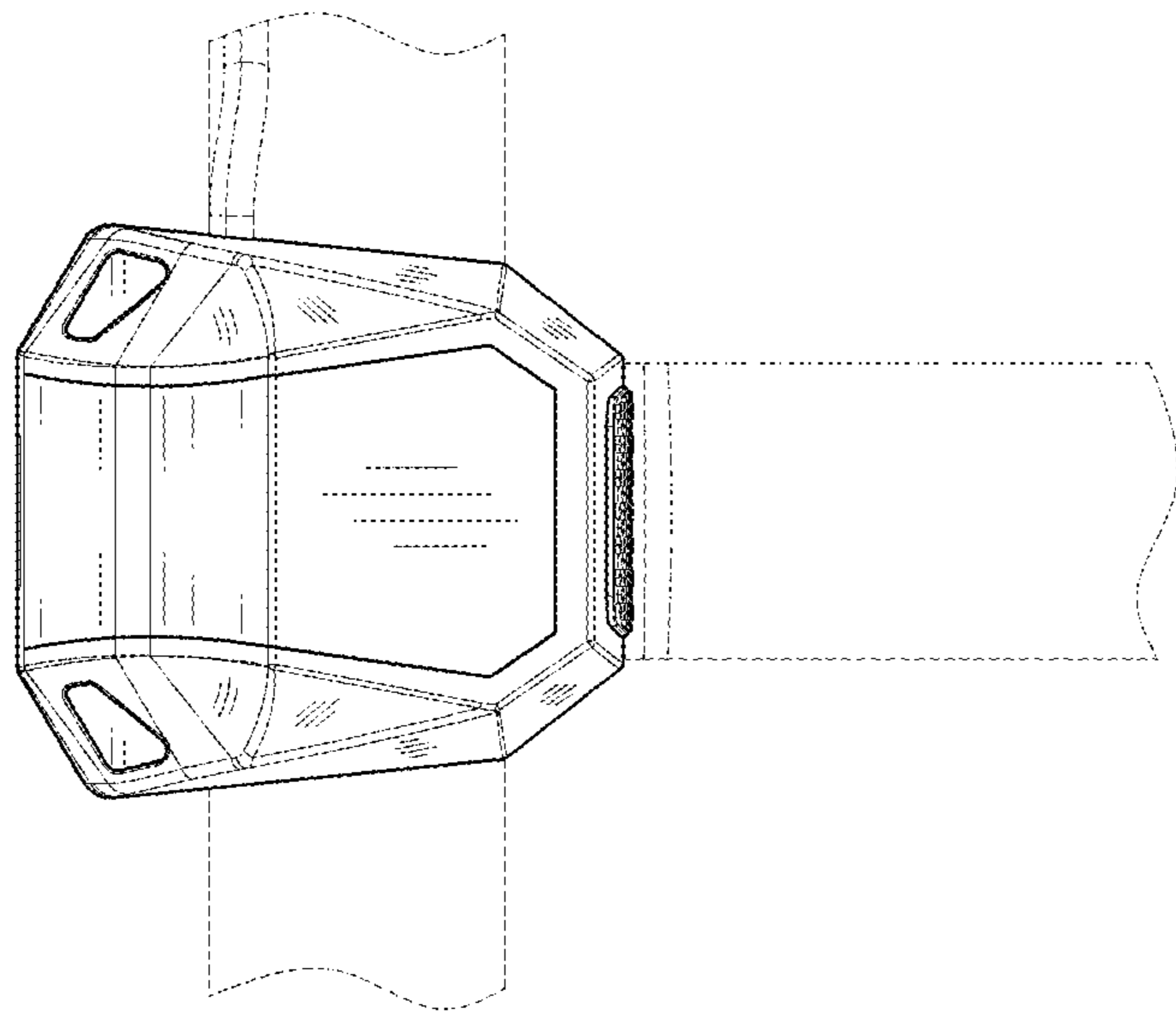


FIG. 9

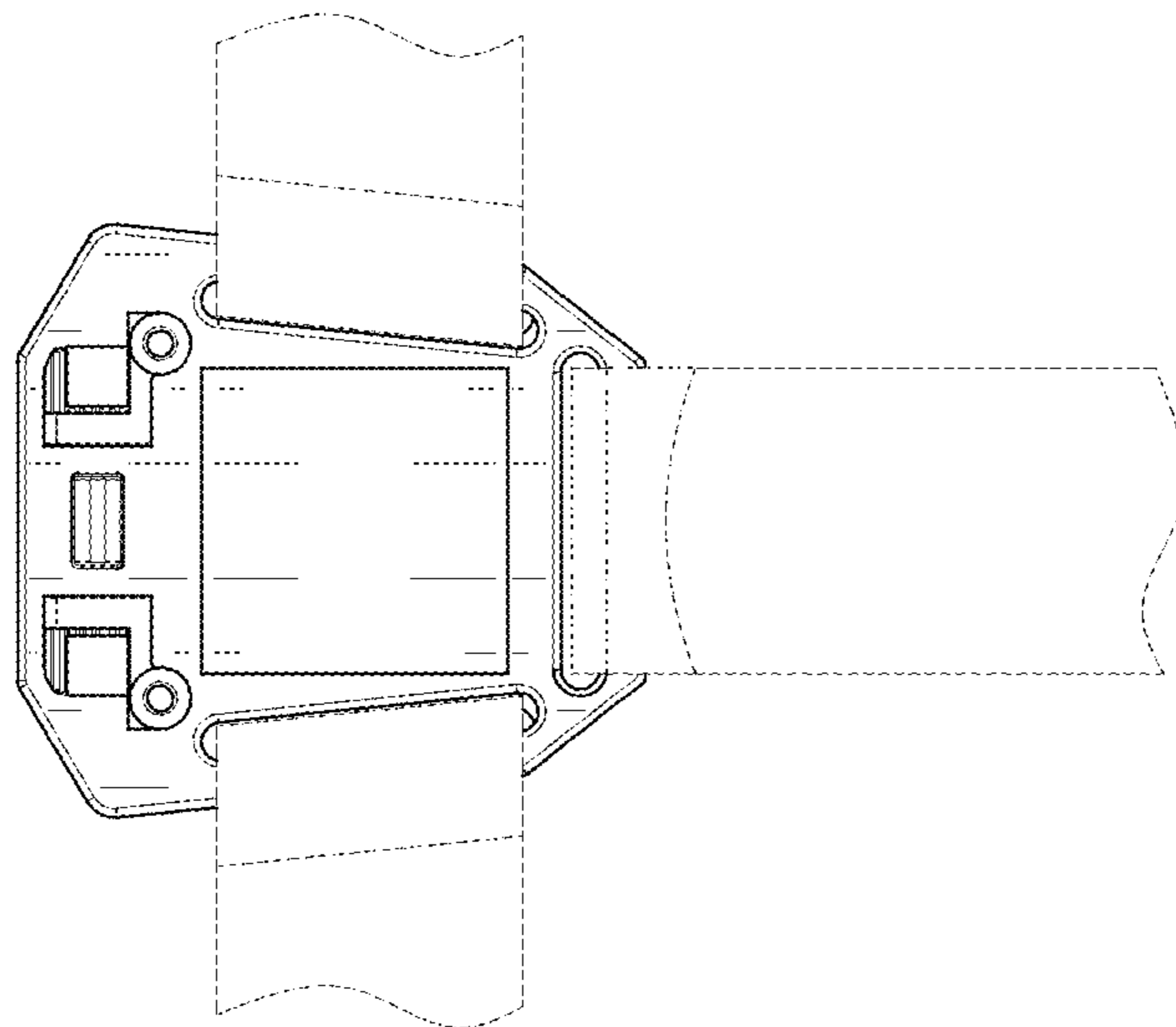


FIG. 10

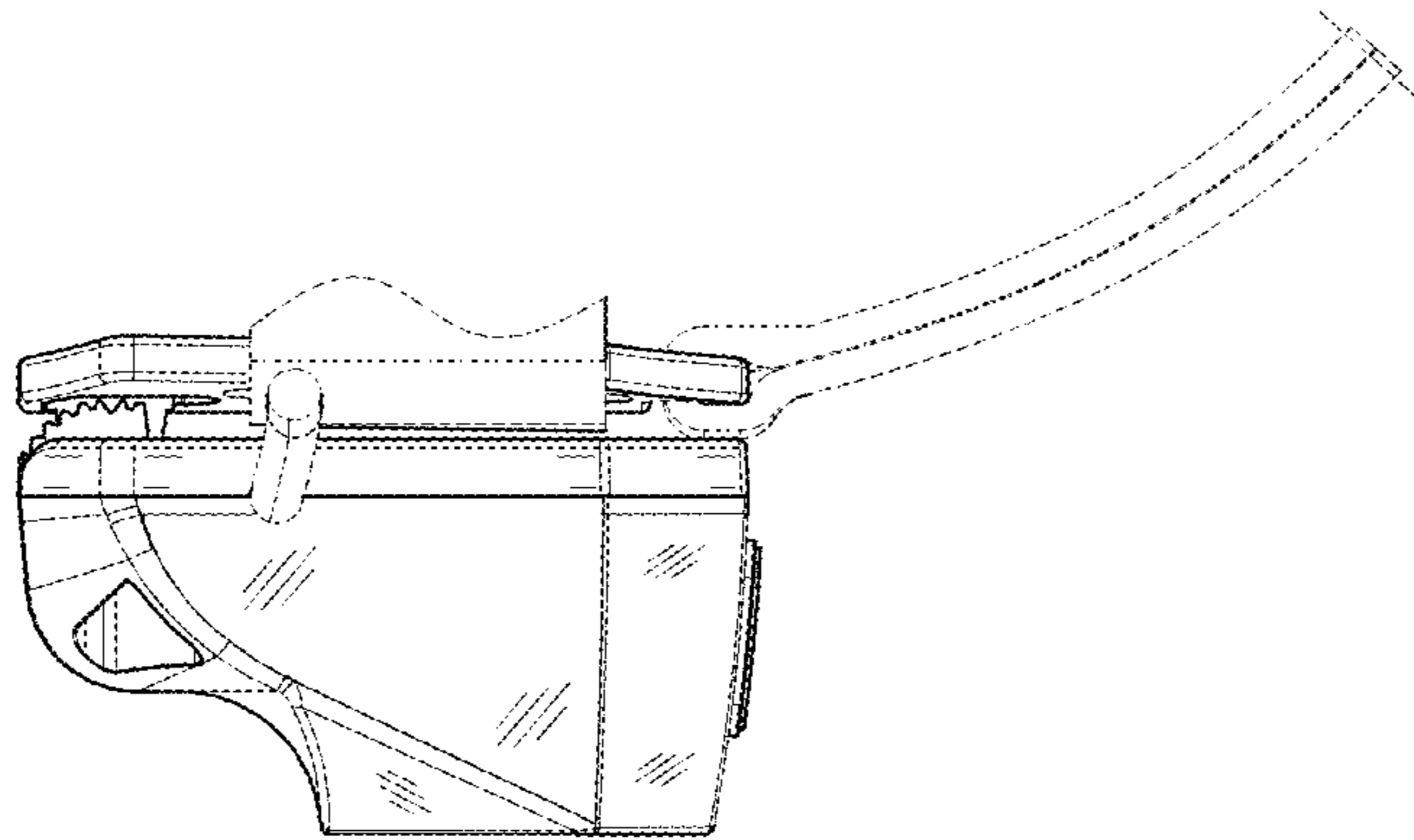


FIG. 11

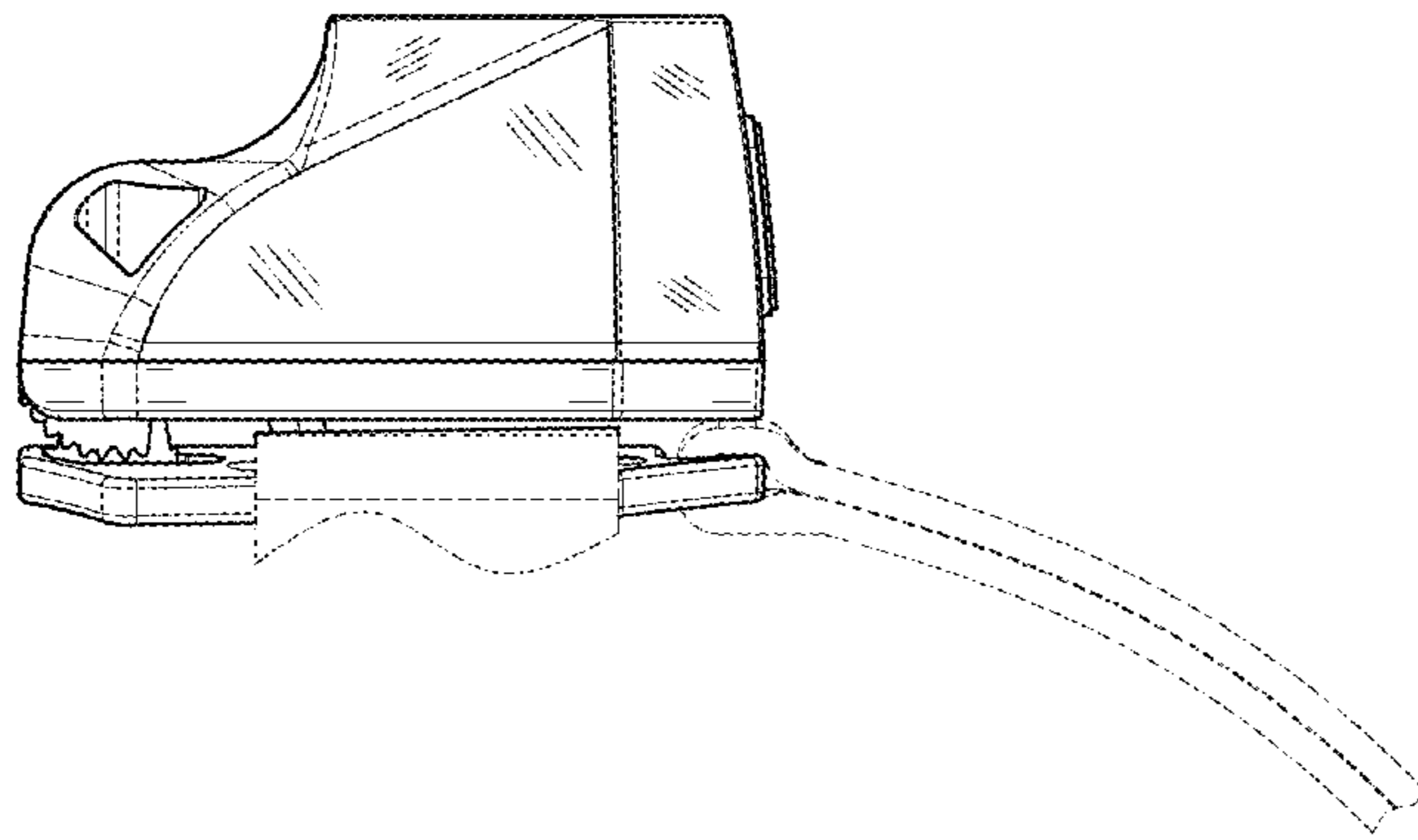


FIG. 12

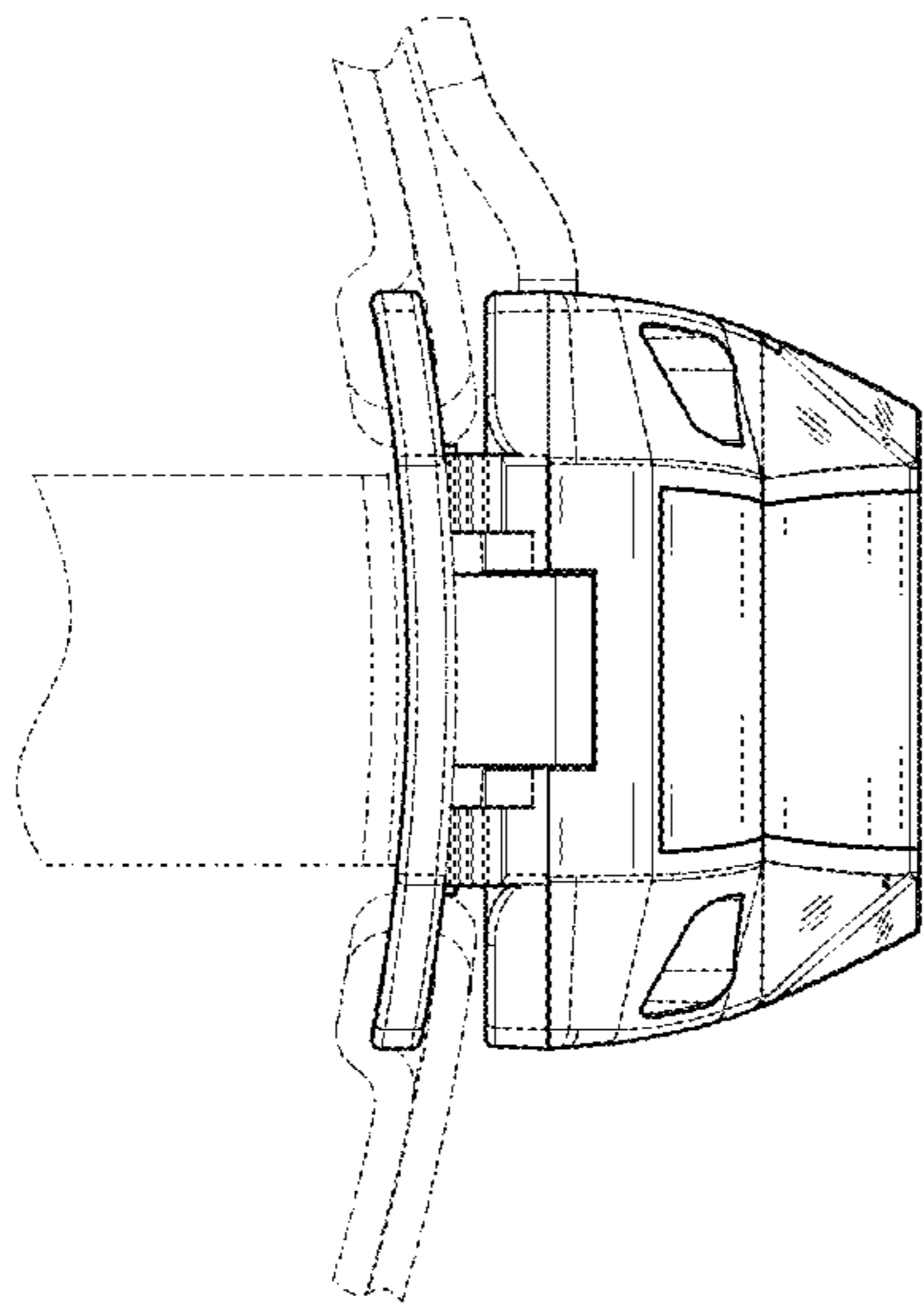


FIG. 13

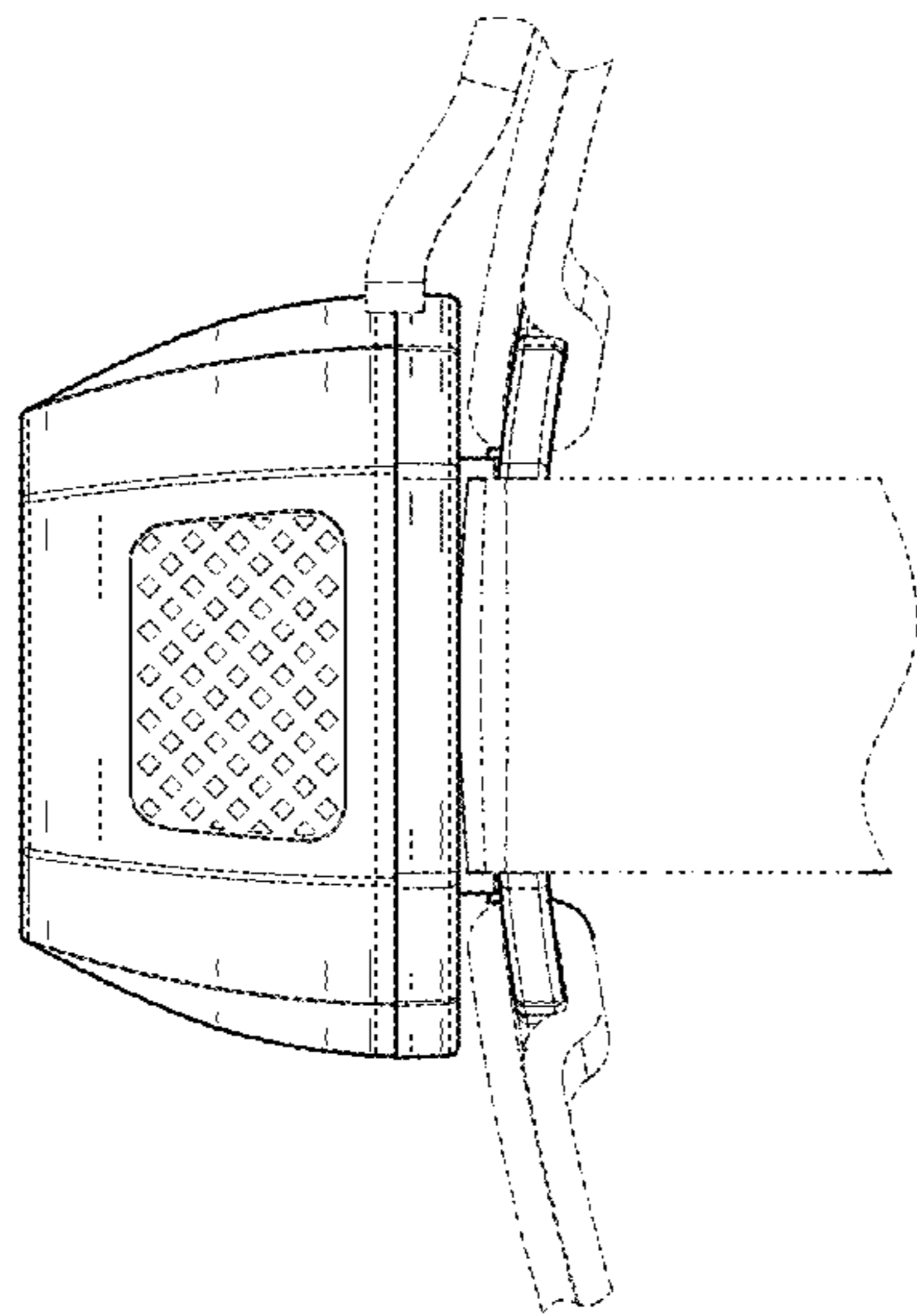


FIG. 14

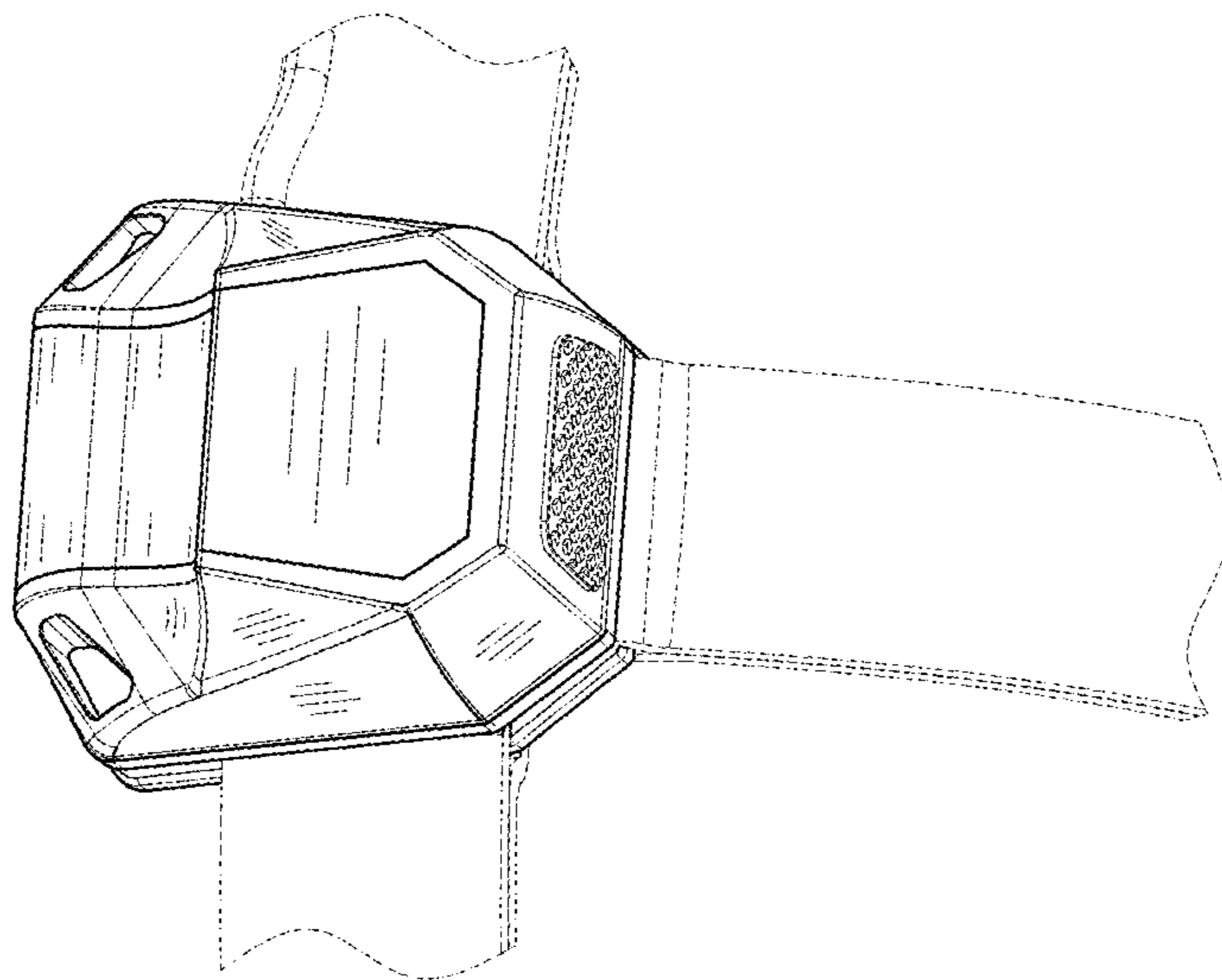


FIG. 15

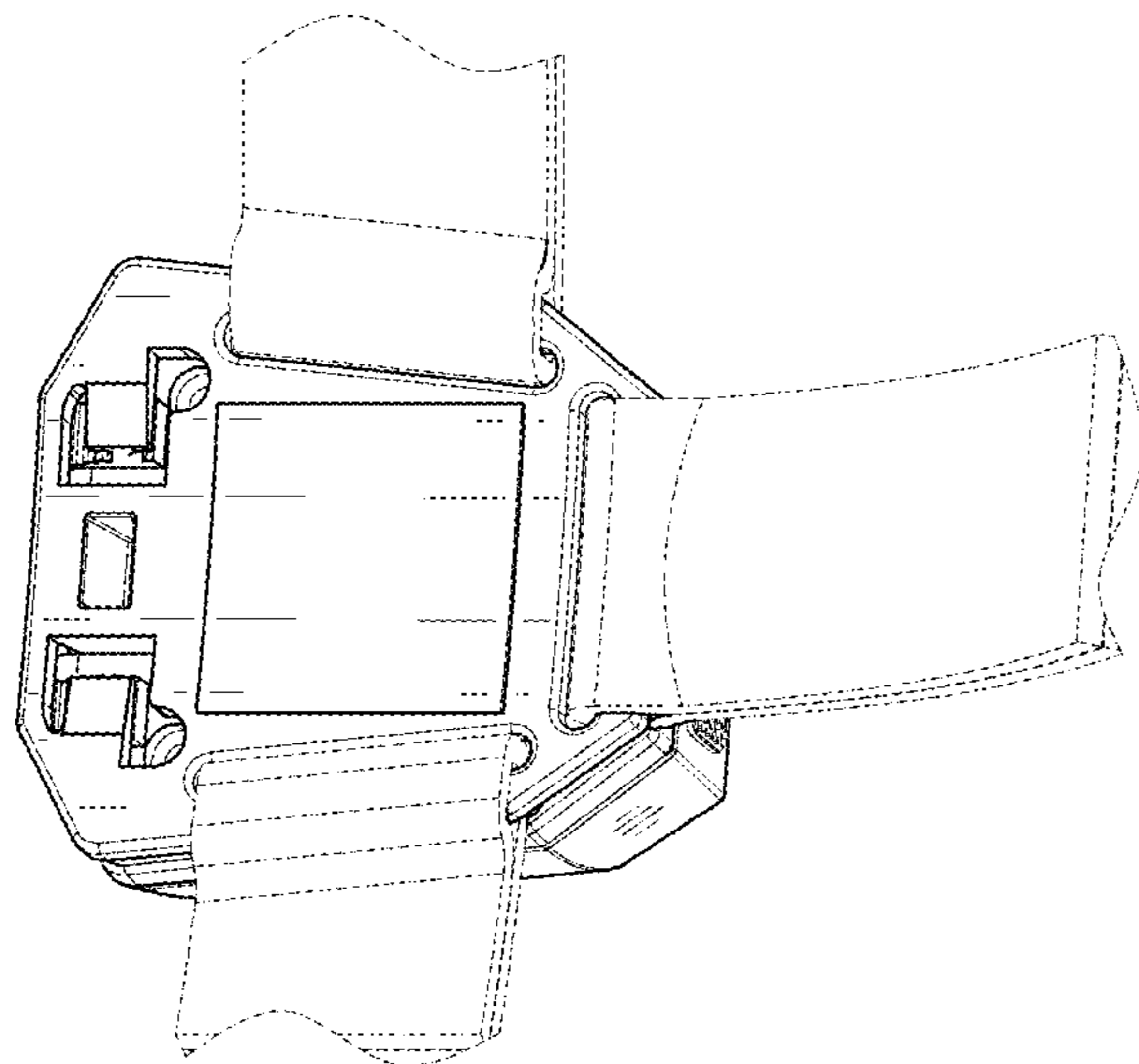


FIG. 16

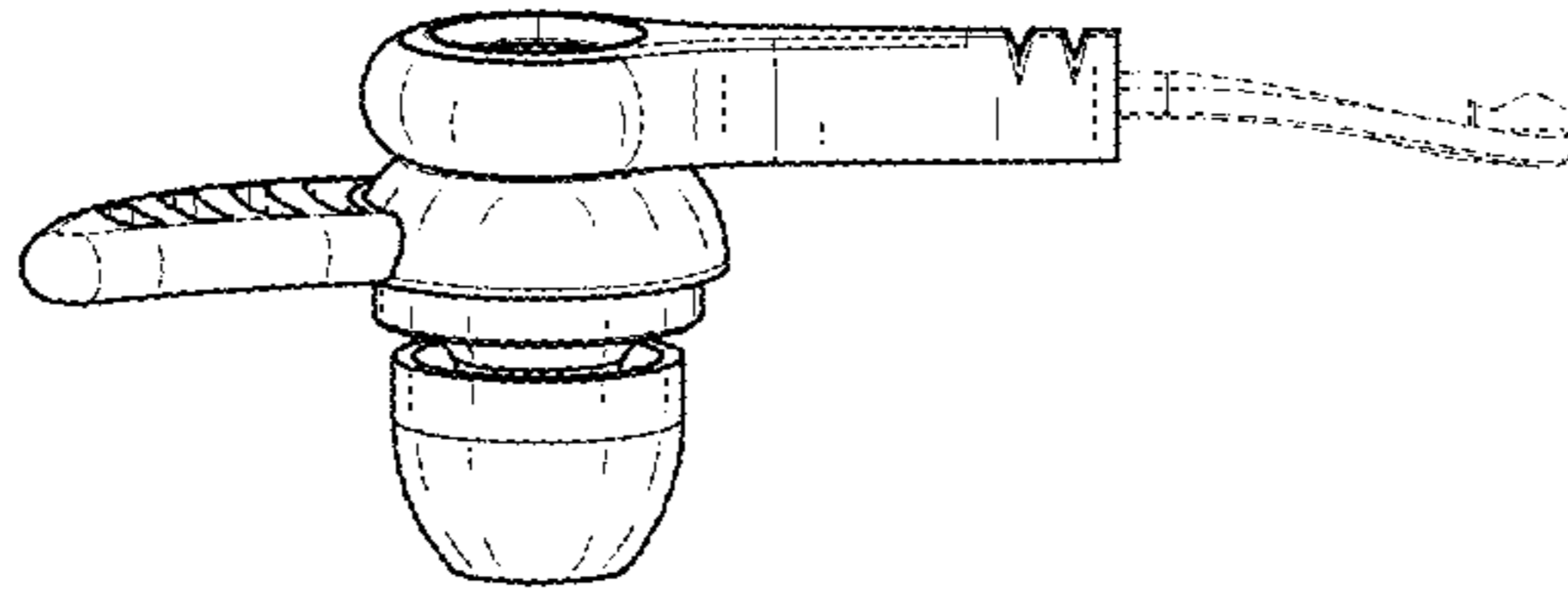
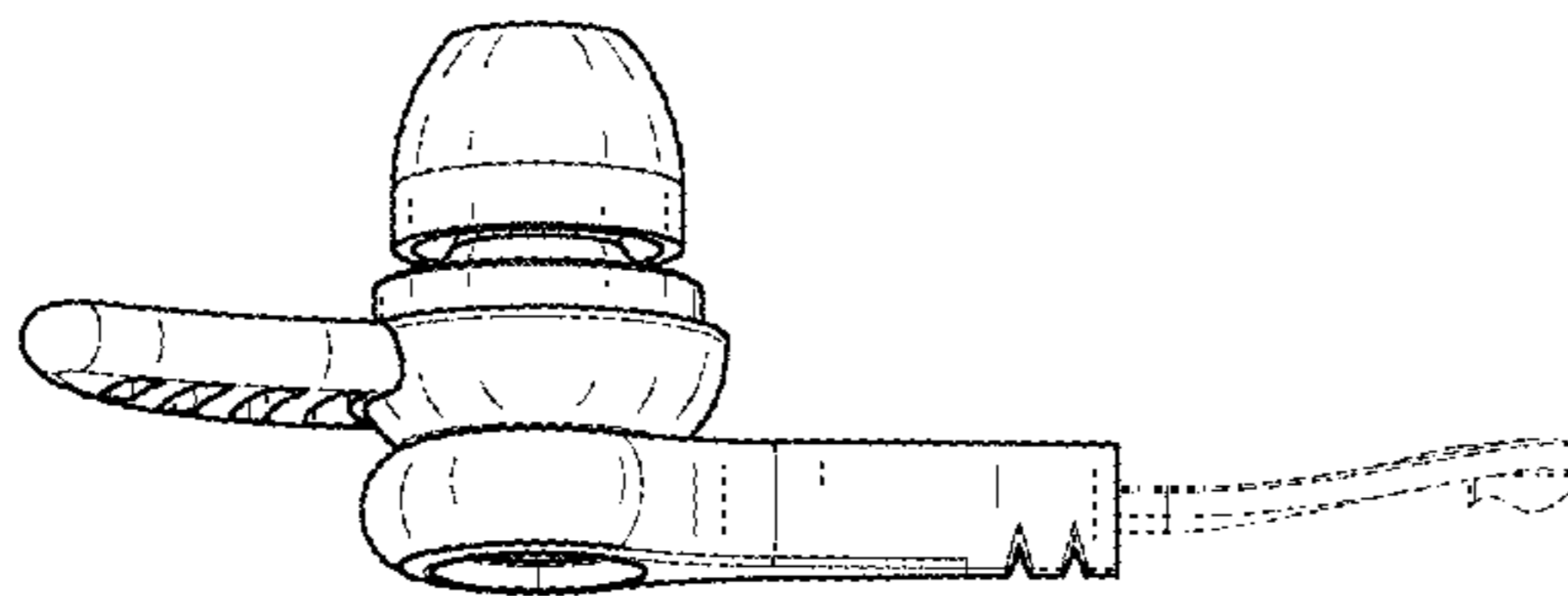


FIG. 17



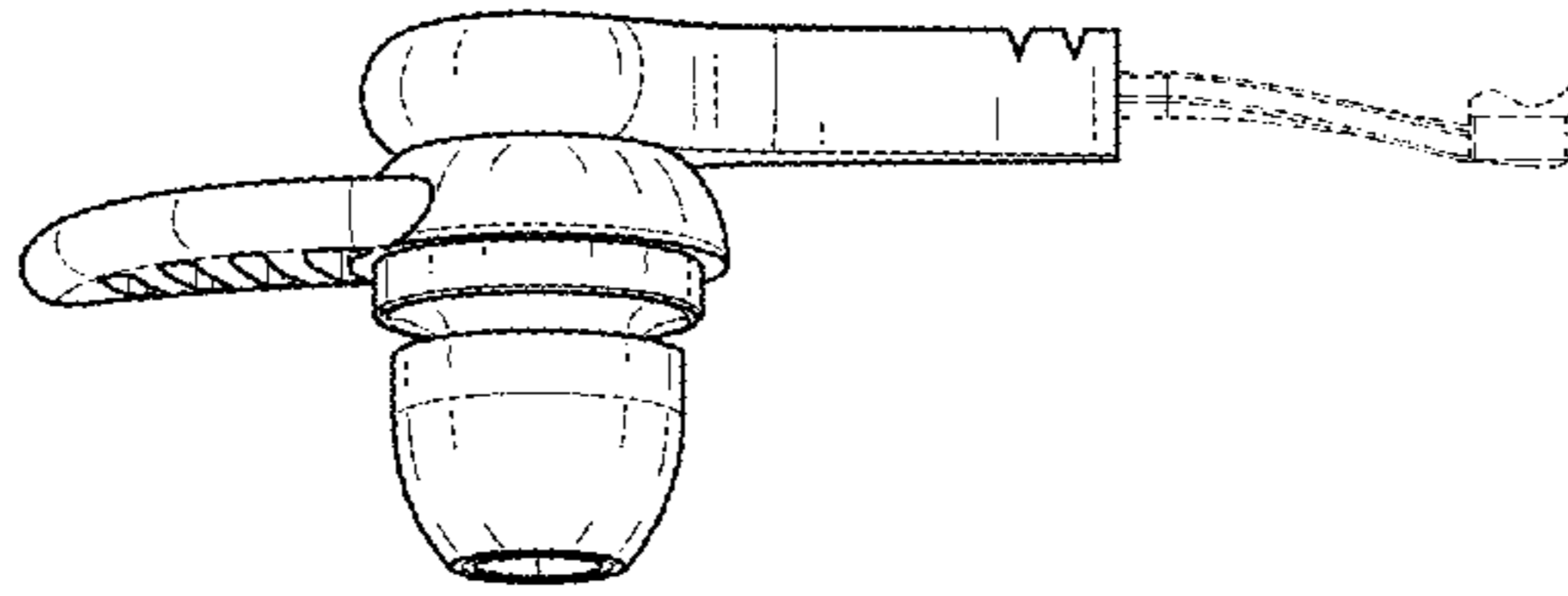
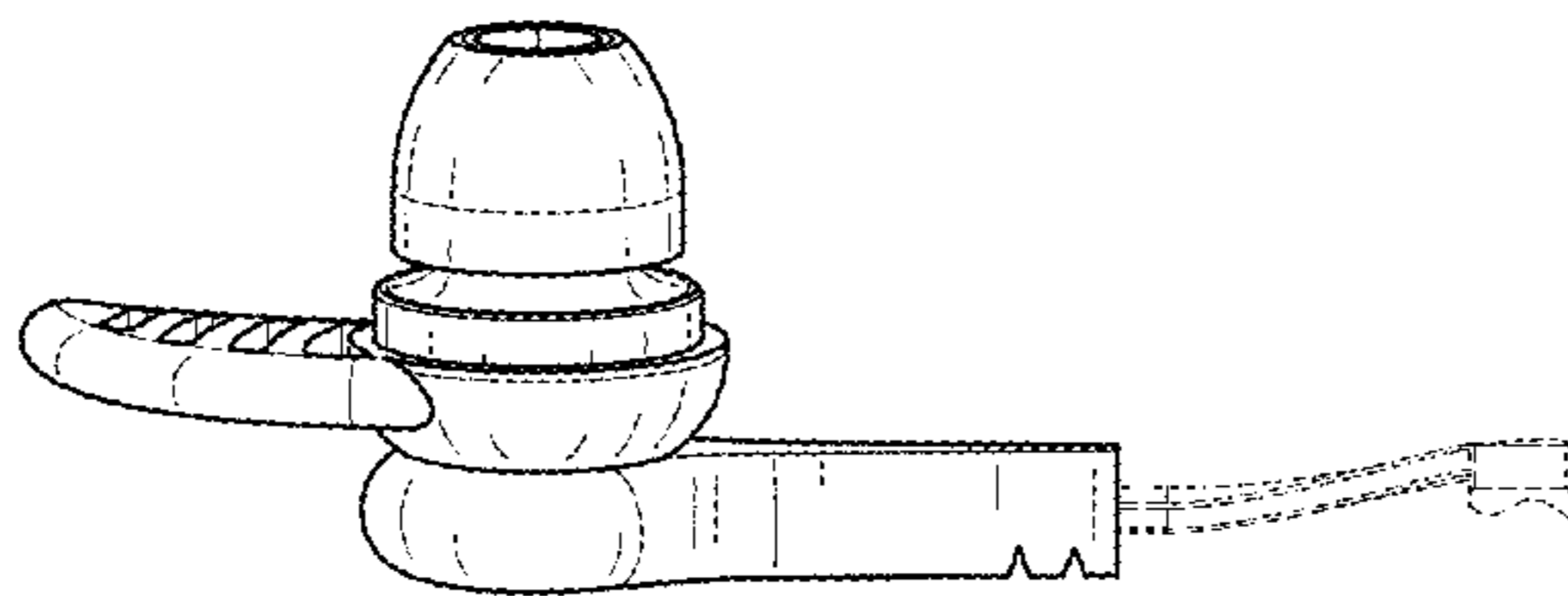


FIG. 18



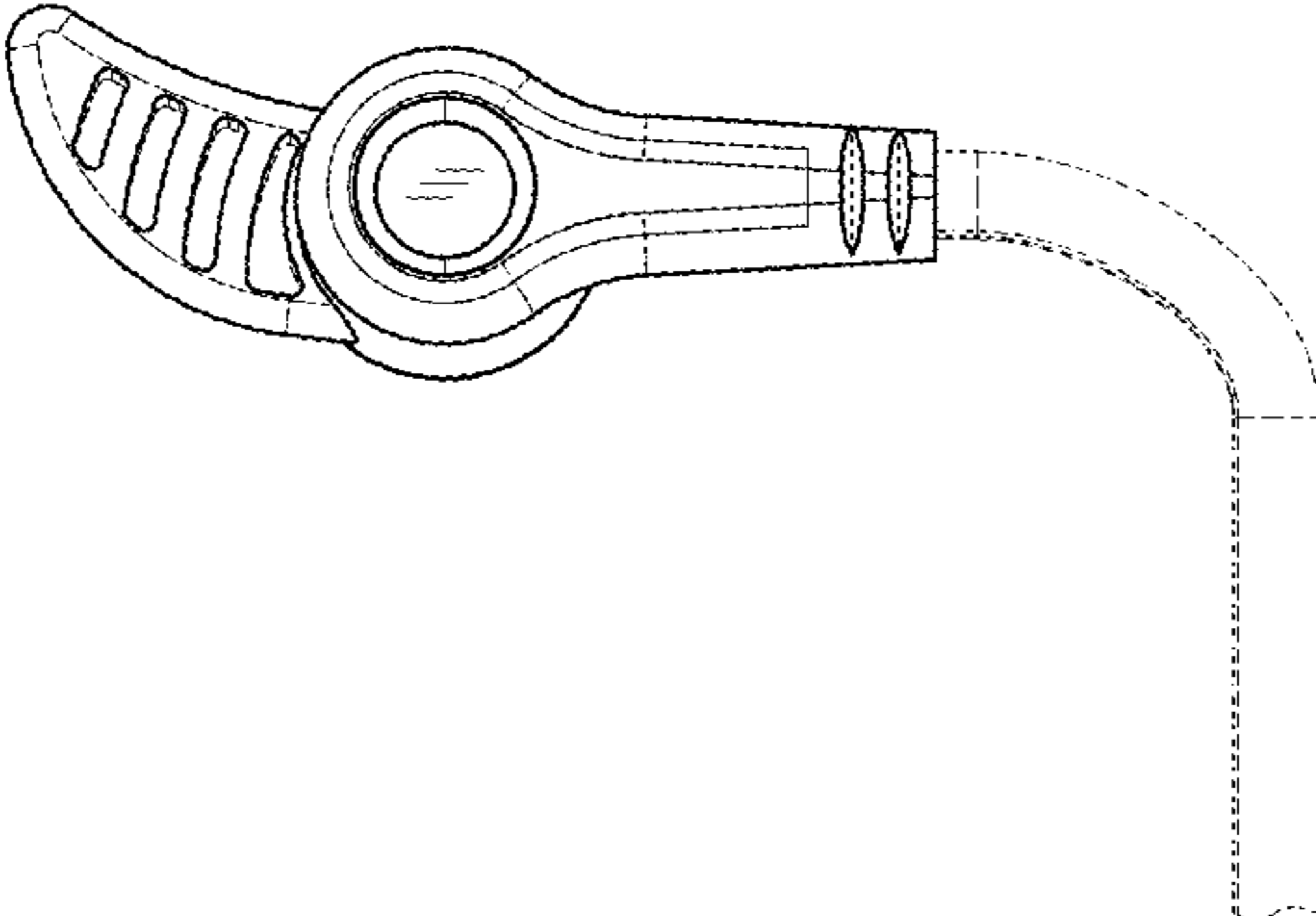
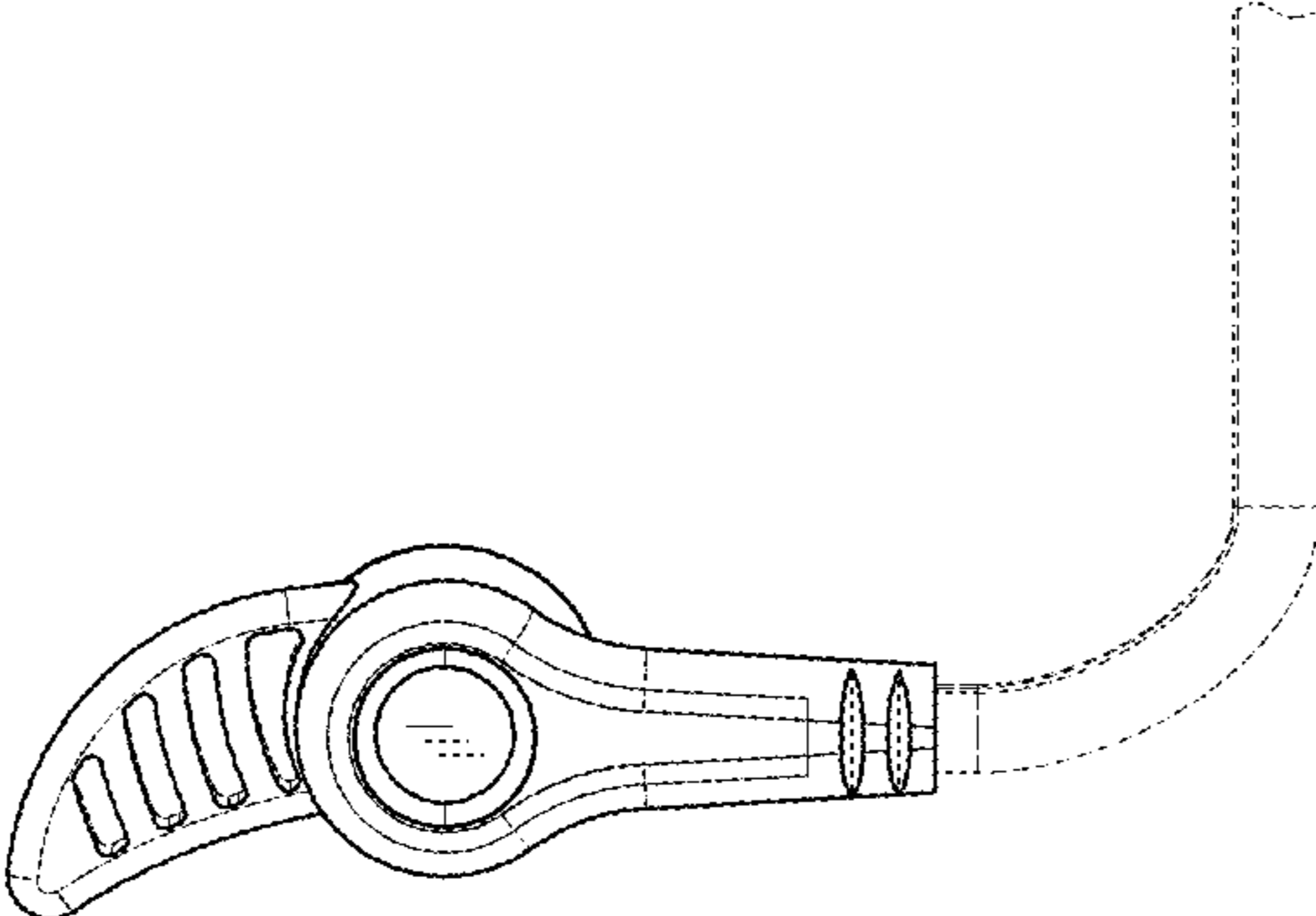


FIG. 19

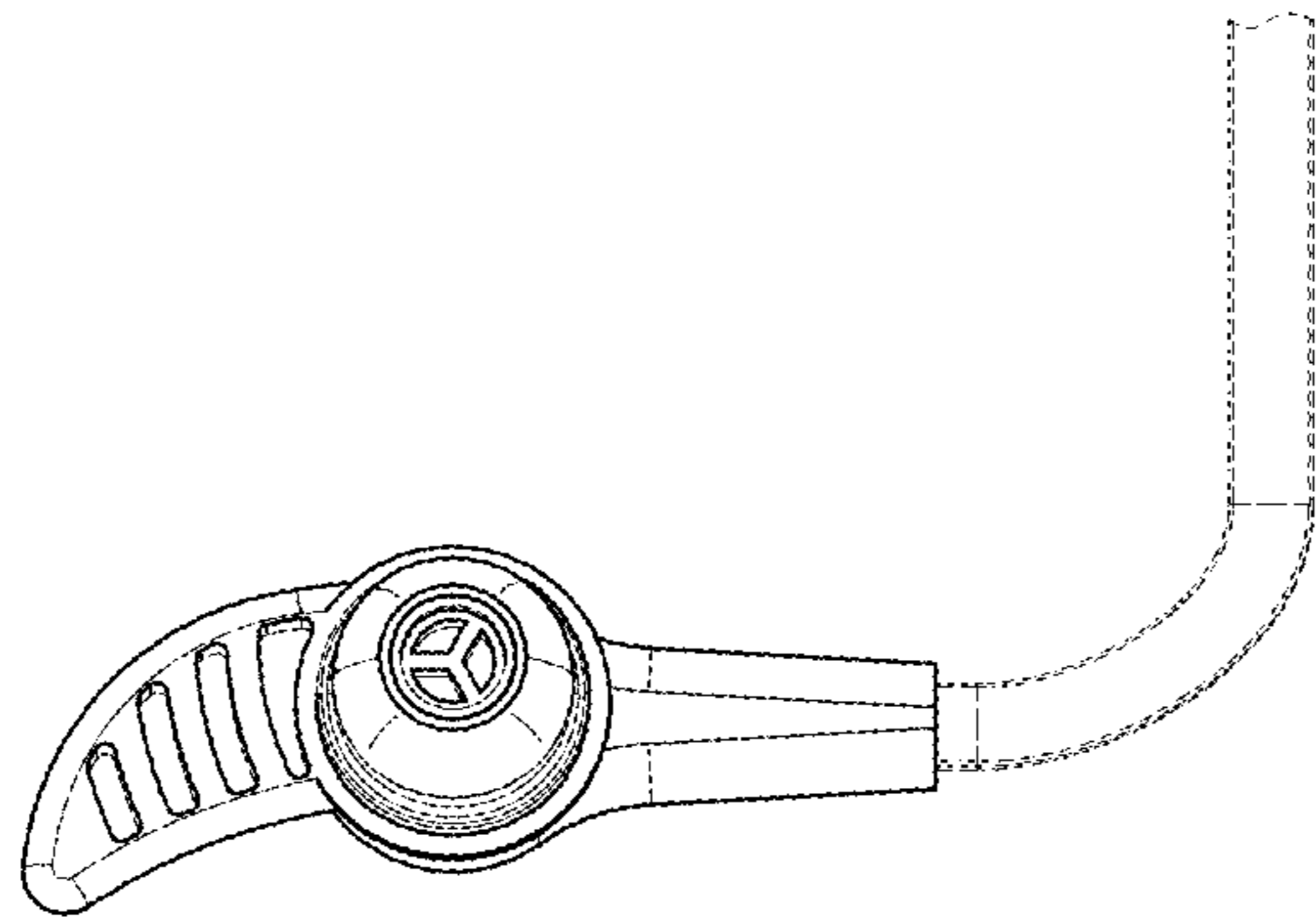
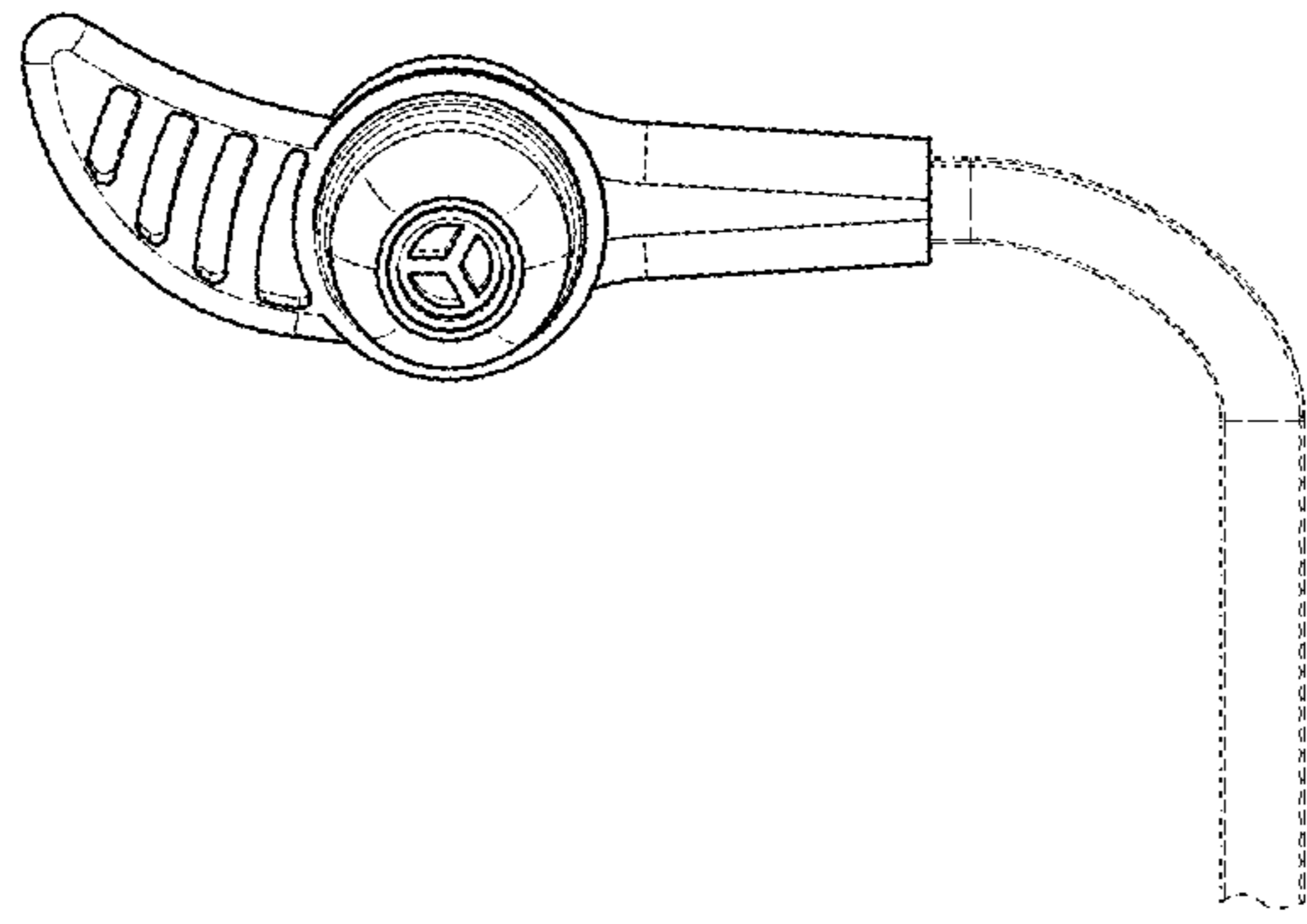


FIG. 20

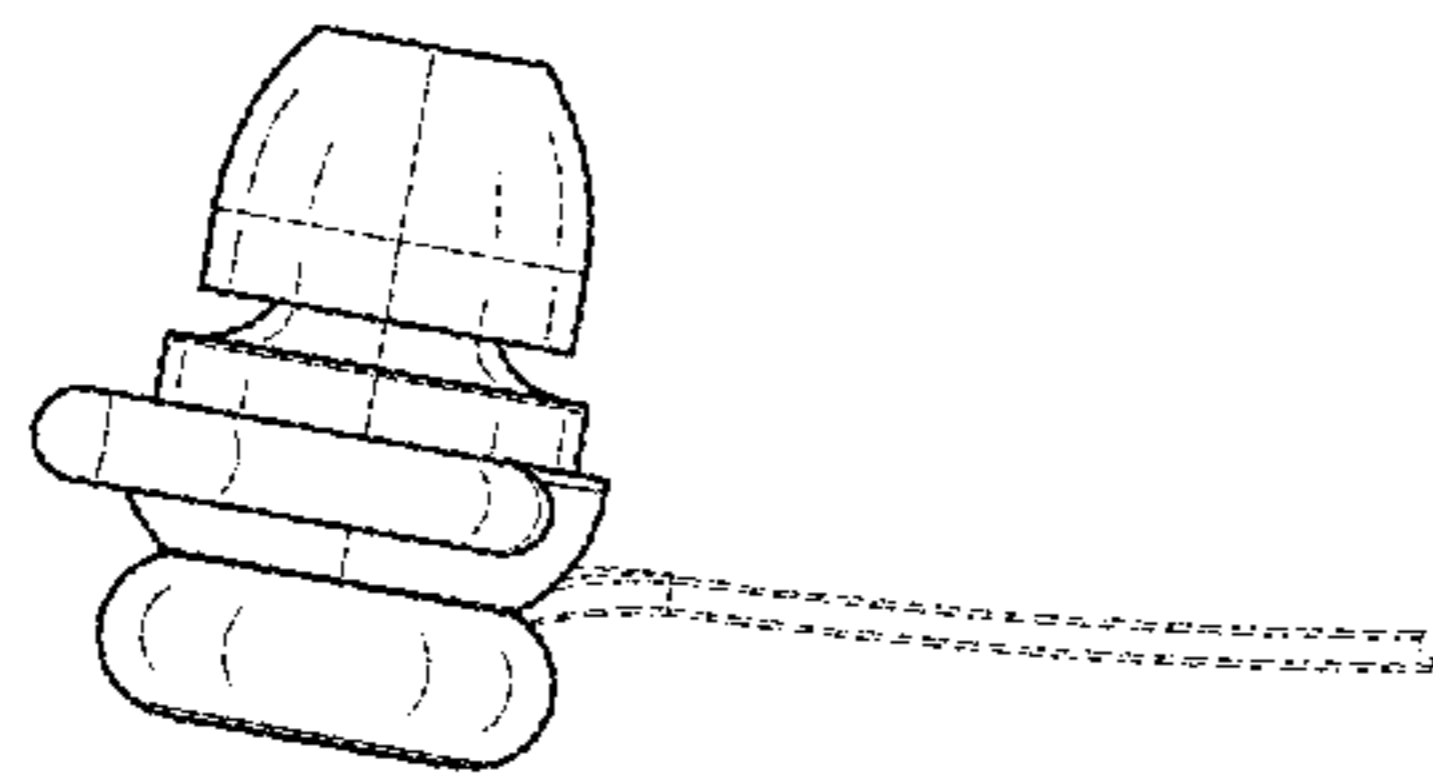
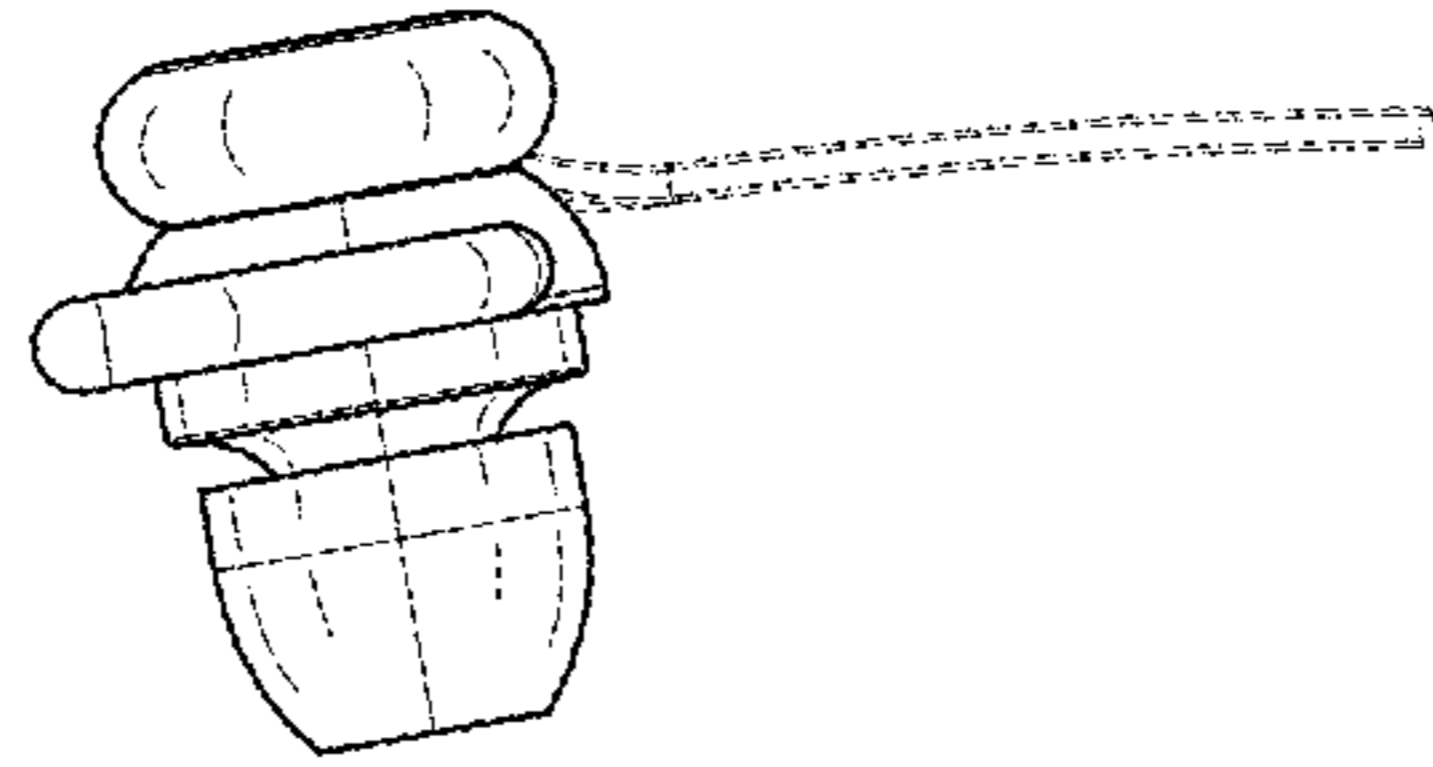


FIG. 21

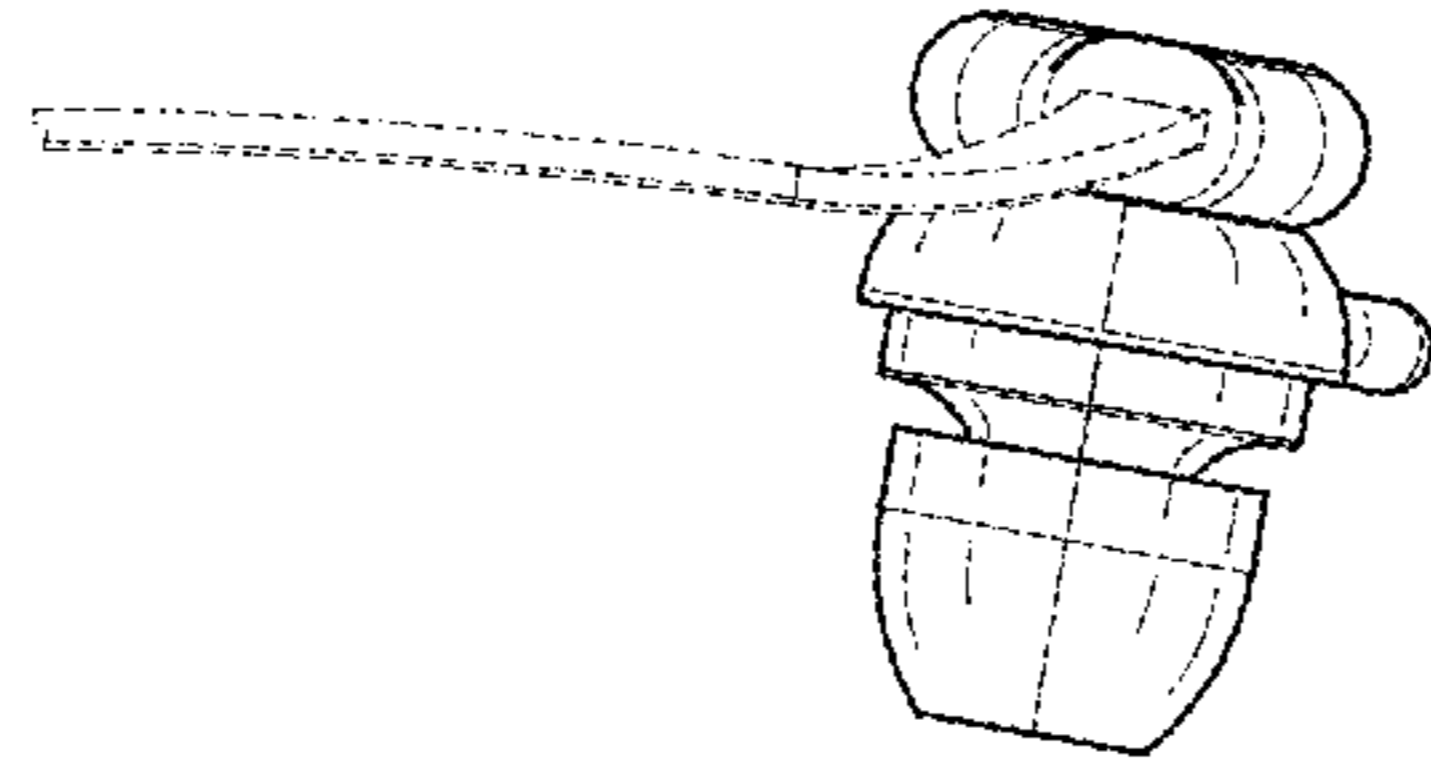
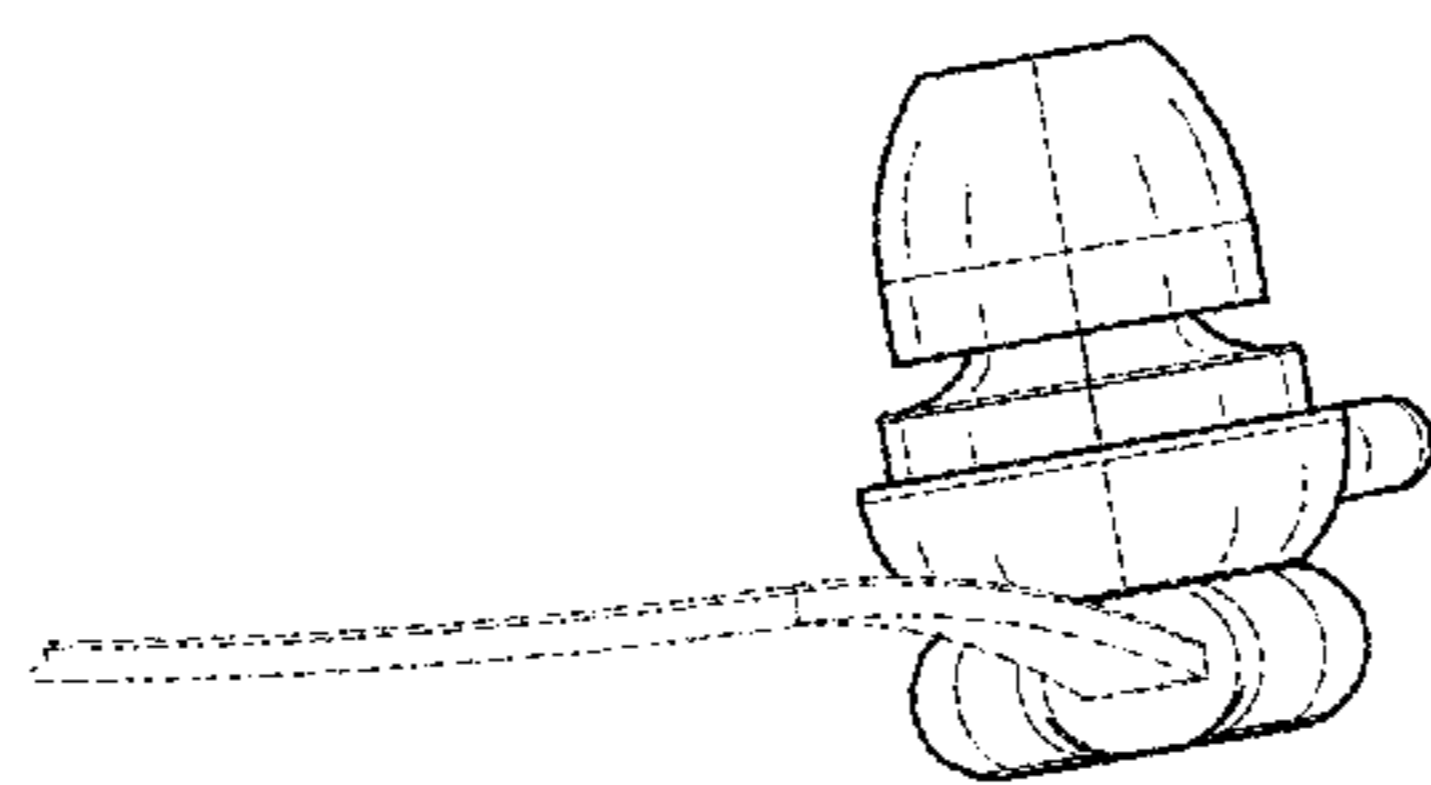


FIG. 22



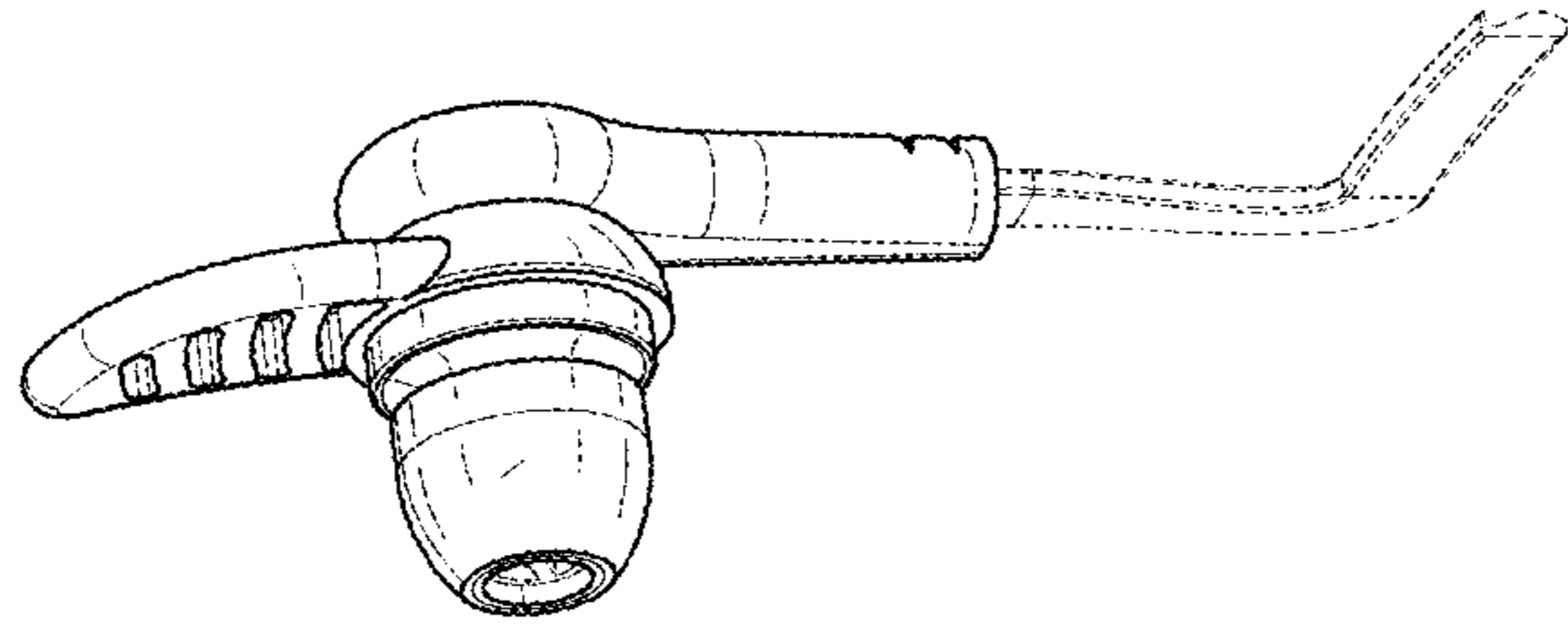
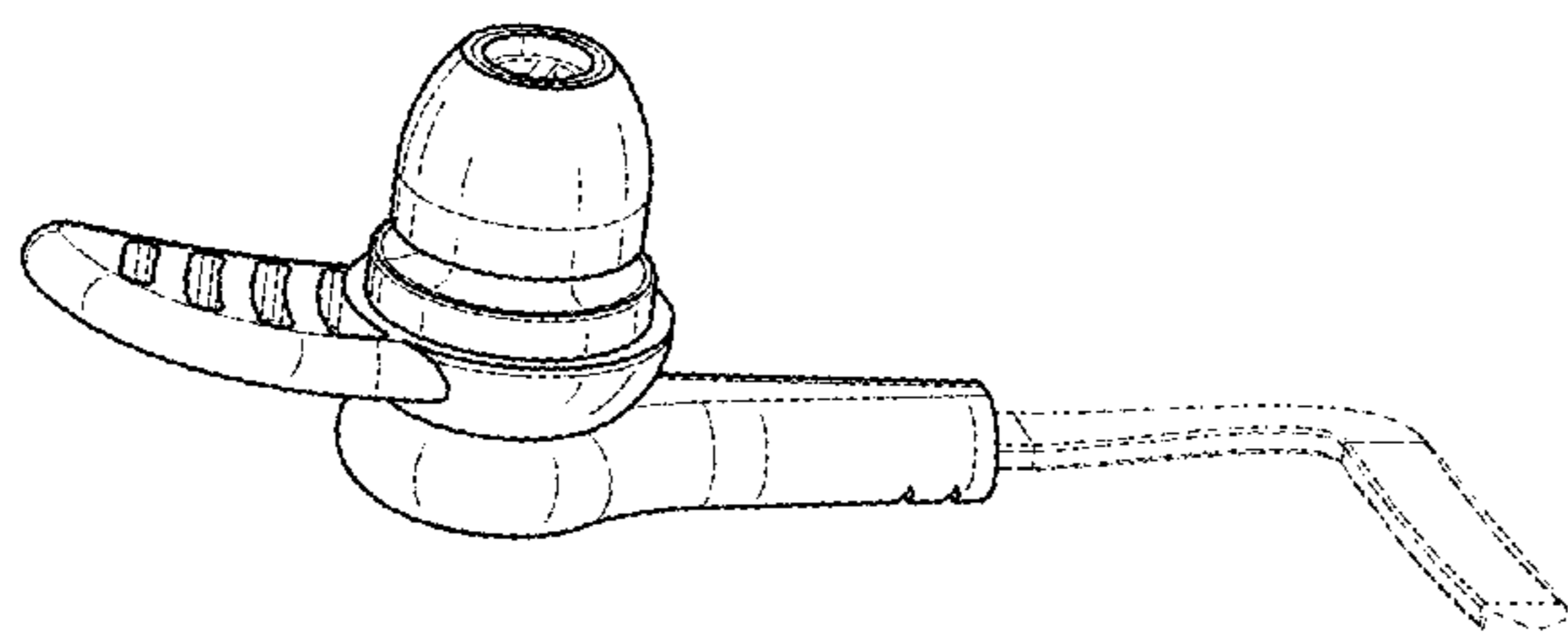


FIG. 23



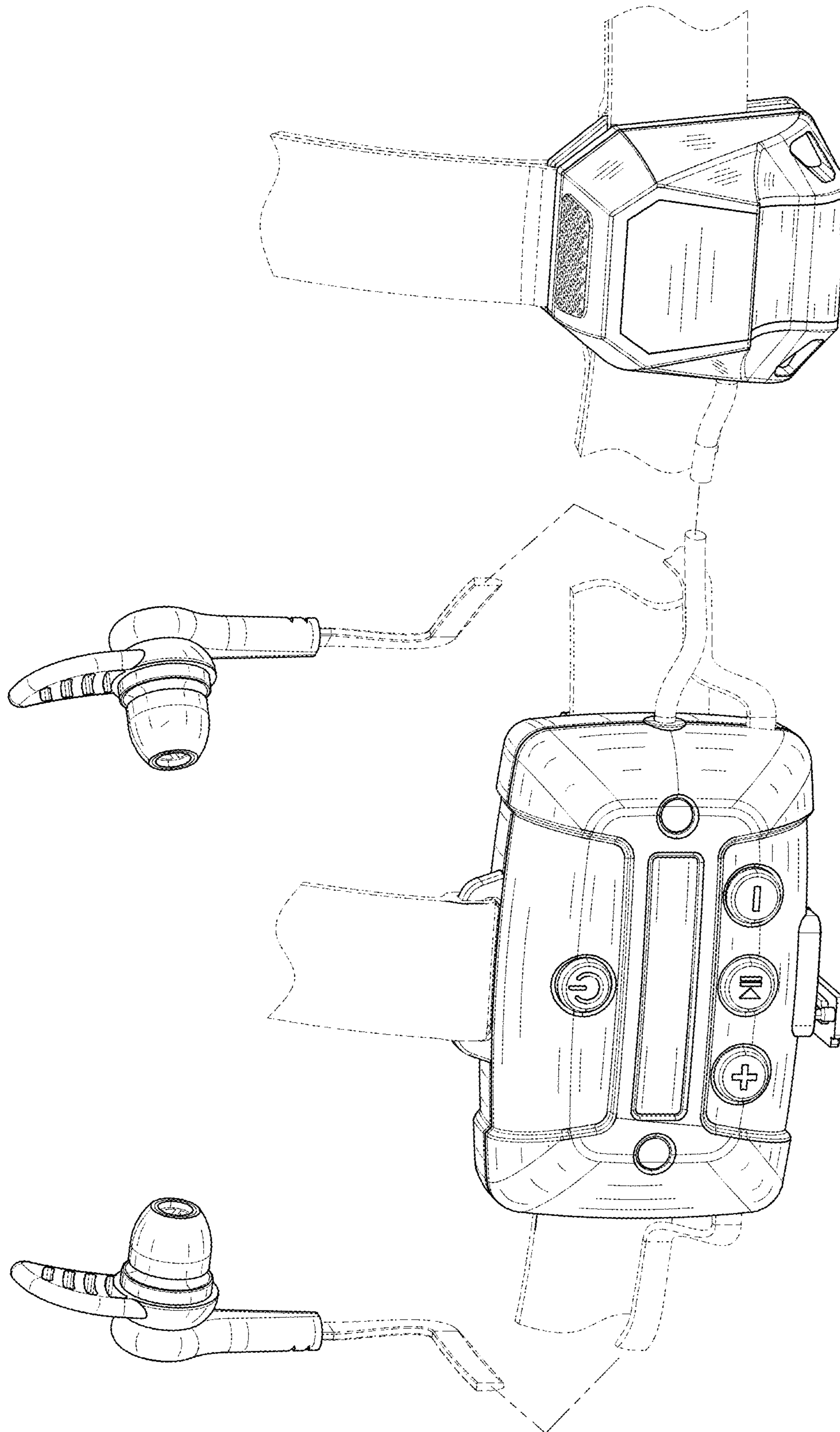


FIG. 24